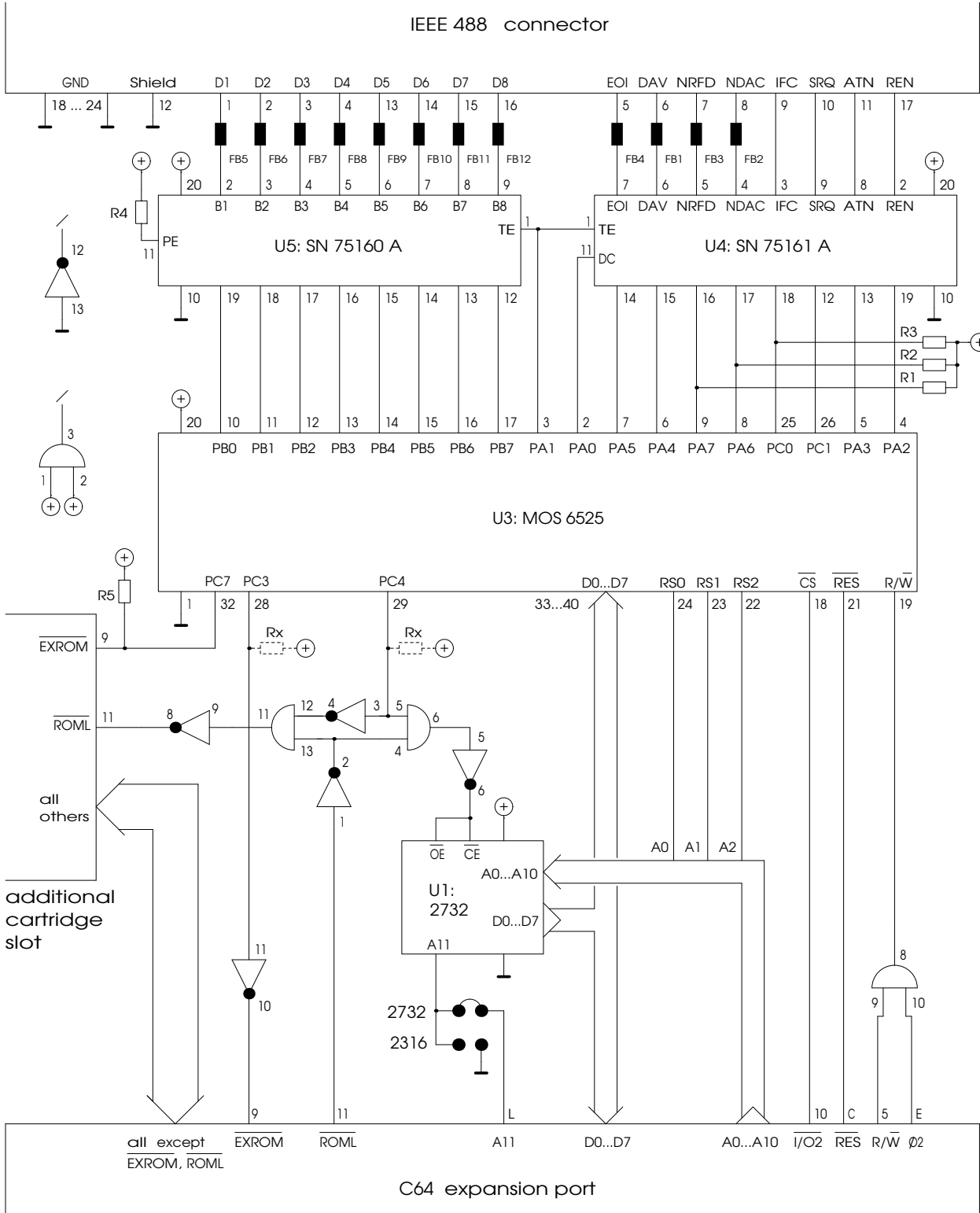


IEEE-488 module C64



4* = 74LS08

all = 3k3

6* = U6: MOS 7713 /
74LS04 (see Text !)

2* Rx : originally missing
(see Text !)