

## **Help for BmpLst**

BmpLst is a Visual Basic custom control that provides a list box with pictures. The picture and the text below it are centered within the list box.

[About/Copyright](#)

[Getting Custom Controls Written](#)

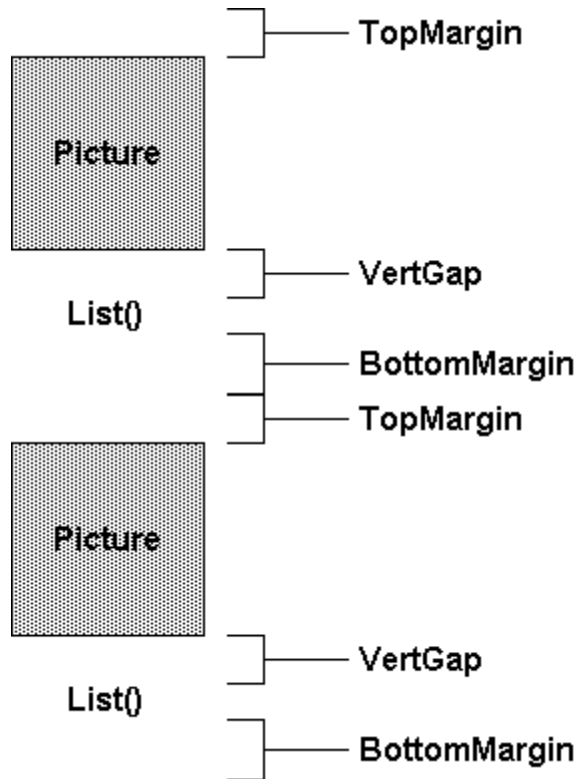
[Layout](#)

[Properties](#)

## Layout

BmpLst combines both a line of text and a picture into one item in a list box. Both are centered within the list box and the picture is positioned above the line of text.

The placement of both objects for the item is determined by the TopMargin, VertGap, and BottomMargin properties. The use of each property is shown below:



## Properties

BmpLst supports most of the standard control properties. Unlike most list boxes, ItemData is a long integer (as opposed to short). The standard properties supported are:

BackColor	Height	NewIndex
BorderStyle	HelpContextID	Parent
DragIcon	hWnd	Selected
DragMode	Index	Sorted
Enabled	ItemData	TabIndex
FontBold	Left	TabStop
FontItalic	List	Tag
FontName	ListCount	Top
FontSize	ListIndex	TopIndex
FontStrikeThru	MousePointer	Visible
FontUnderLine	MultiSelect	Width
ForeColor	Name	

On top of those, here are the additional properties that BmpLst supports:

BorderEffect

BottomMargin

Picture

ScreenUpdate

TopMargin

VertGap

## BottomMargin Property

### Description

Determines the amount of space between the bottom of the text and the bottom of the entire item.

### Usage

*[form.]**[label.]*BottomMargin

### Remarks

BottomMargin determines how much space is added between the bottom of the displayed text, and the bottom of the entire item. BottomMargin and TopMargin together determine how much space there is between the bottom of the text and the top of the next picture.

See the Layout section for more information on how a list item is placed on the screen.

### Data Type

Integer (twips)

## BorderEffect Property

### Description

Determines what style of border to put around the list box.

### Usage

[*form.*][*label.*]BorderEffect

### Setting

The BorderEffect settings are:

Setting	Description
0	Normal border
1	Raised border
2	Lowered border
3	Inset border

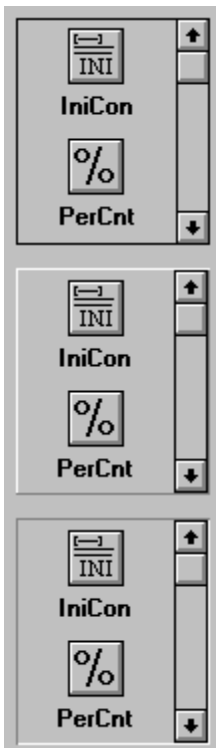
### Remarks

This property only takes effect when BorderStyle is set to 1 (Single Width).

### Data Type

Integer (Enumerated)

### Examples





Normal

Raised

Lowered

Inset

## Picture Property

### Description

Sets the picture for a particular item in the list.

### Usage

```
[form.][label.]Picture(index)[ = picture]
```

### Remarks

This property sets the picture for the item specified by *index*. This must be a picture object (i.e., from another control, or loaded by a function such as LoadPicture).

### Data Type

Integer

## **ScreenUpdate Property**

### **Description**

Controls screen update of control.

### **Usage**

```
[form.][label.]ScreenUpdate = [update]
```

### **Remarks**

If this property is set to False, BmpLst will not paint itself. This allows for loading of the list without having to wait for multiple re-paints. When this property is set to True, the control will paint itself when necessary.

### **Data Type**

Integer (boolean)



## TopMargin Property

### Description

Determines the amount of space between the top of the picture and the top of the entire item.

### Usage

`[form.][label.]TopMargin`

### Remarks

TopMargin determines how much space is added between the top of the picture and the top of the entire item. [BottomMargin](#) and TopMarginpropTopMargin together determine how much space there is between the bottom of the text and the top of the next picture.

See the [Layout](#) section for more information on how a list item is placed on the screen.

### Data Type

Integer (twips)

## **VertGap Property**

### **Description**

Determines the amount of space between the bottom of the picture and the top of the text.

### **Usage**

`[form.][label.]VertGap`

### **Remarks**

VertGap determines how much space placed between the bottom of the picture and the top of the text.

See the [Layout](#) section for more information on how a list item is placed on the screen.

### **Data Type**

Integer (twips)

## About BmpLst

BmpLst was written by James Shields. Inquiries can be sent to 71231,2066 on CompuServe, or mabry@halycon.com on Internet. If you must send something via U.S. Mail, the address is:

James Shields  
Mabry Software  
P.O. Box 31926  
Seattle, WA 98103-1926

You can register this program by sending \$20 (\$25 for international orders) and your address. CompuServe members may register by sending \$15 and their account number (the registered version will be E-mailed to you). CompuServe members may also register this package by going to the SWREG forum. BmpLst is registered there. BmpLst's registration ID number is 1059.

If you would like source code to BmpLst, send \$45 (\$50 for international). CompuServe members can get the source code by sending \$40. It can be registered in the SWREG forum as registration ID number 1060. Source code includes a registered version of the control (so you don't have to get both).

(C) Copyright 1993 by James Shields



## **Getting Custom Controls Written**

If you or your organization would like to have custom controls written, contact either me or Zane Thomas (co-author of the Waite Group's VB How-To, 2nd Edition). Here's how we can be reached:

James Shields  
CompuServe: 71231,2066  
US Mail: P.O. Box 31926; Seattle, WA 98103-1926

Zane Thomas:  
CompuServe: 72060,3327  
US Mail: P.O. Box 300; Indianola, WA 98342