



Compaq Windows NT Workstation SSD

Compaq Windows NT Workstation SSD, É, Í A Compaq Professional Workstation, Á ñ ÿ, ³, ê, é Ê Á X, ì < @ " \, ð Š ^ — p, Å, «, é, æ, x, É, ·, é, ½, ß, ì f f f o f C f X f h f % o o f C f o, Æ f t [f e f B f S f e f B, ¢ " ü, Á, Ä, ç, Ü, · B

Compaq Windows NT Workstation SSD Ver 2.05A, É, Í A • \1, É Ž |, · f } f t f g f E f F f A f R f " f l [f l f " f g, ¢ Š Ü, Ü, ê, Ä, ç, Ü, · B Compaq Windows NT 4.0 Workstation SSD, Í A f [f [f n f x f e [f v f f " , É • t ' ®, Ì SmartStart for Workstations CD, É Š Ü, Ü, ê, Ä, ç, Ü, · B

Compaq Windows NT Workstation SSD, Í A SoftPaq, Æ Ê Ä, Í, é, é ^ ³ k, ³, ê, ½ f t f @ f C f <, Æ, µ, Ä " ü Ž è, ·, é, ±, Æ, à, Å, «, Ü, · B SoftPaq, Í Ž © Ê É % o o ð " € Ê ^, ì Ž A s f t f @ f C f <, Å A f n [f h f f f B f X f n, É ' ¼ Ü f t f @ f C f <, ð % o o ð " €, µ, Ü, · B

Compaq Windows NT Workstation SSD, Í A SoftPaq, Æ, µ, Ä [Compaq f t f \[f g f f t f g f E f F f A C D](#), Ü, ½, ì f l f " f % o f C f " f [f X, ©, ç " ü Ž è, ·, é, ±, Æ, ¢, Ä, «, Ü, · B f l f " f % o f C f " , ©, ç, ì " ü Ž è • û - @, É, Ä, ç, Ä, Í A f l f " f % o f C f " f [f X, ©, ç, ì [Compaq Windows NT Workstation SSD, ì " ü Ž è • û - @, ð Ž Q \[Æ, µ, Ä, , ¾, ³, ç B](#)

• \1. Compaq Windows NT Workstation SSD Ver 2.05A

- | | |
|---|---|
| Compaq Windows NT Workstation SSD, ì f C f " f X f g [f < f t f @ f C f <, ·, æ, Ñ f T f [f g f t f @ f C f < | <ul style="list-style-type: none"> □ E f [f C f " f Z f b f g f A f b f v f C f " f X f g [f < f t f @ f C f < □ E Compaq Windows NT Workstation SSD f w f < f v f t f @ f C f < □ E Compaq V f X f e f € f } f l f w f [f " f g f h f % o o f C f o □ E Compaq S C S I f R f " f g f [f % o o f h f % o o f C f o □ E S C S I f ~ f j f [f g f n f % o o f X D L L □ E Adaptec A I C - 7 8 x x P C I S C S I f R f " f g f [f % o o f h f % o o f C f o □ E S y m b i o s W i d e U l t r a 2 P C I S C S I f R f " f g f [f % o o f h f % o o f C f o □ E A T A P I / I D E f R f " f g f [f % o o f h f % o o f C f o □ E S M A R T f A f C E f C / S M A R T - 2 f A f C E f C / S m a r t f A f C E f C 2 2 1 f R f " f g f [f % o o f h f % o o f C f o □ E C o m p a q P r o L i a n t f X f g f C E [f W f V f X f e f € f h f % o o f C f o □ E 3 D l a b s O x y g e n G V X 1 f O f % o o f t f B f b f N f X f R f " f g f [f % o o f h f % o o f C f o □ E N I C f ~ f j f [f g f n f % o o f X D L L □ E C o m p a q N e t e l l i g e n t / N e t F l e x - 3 f R f " f g f [f % o o f h f % o o f C f o, ·, æ, Ñ D L L □ E C o m p a q E t h e r n e t A F a s t E t h e r n e t A, ·, æ, Ñ G i g a b i t f R f " f g f [f % o o f h f % o o f C f o □ E E S S 1 8 6 8 / 1 8 6 9 A u d i o D r i v e f R f " f g f [f % o o f h f % o o f C f o |
| f X f g f C E [f W f h f % o o f C f o | |
| f l f b f g f [f n f h f % o o f C f o | |
| f l [f f f B f l f h f % o o f C f o, ·, æ, Ñ f O f % o o f t f B f b f N f X f h f % o o f C f o | |

- ☐E Compaq PowerStorm 300fOf %oftfBfbfNfX fRf“fgf□□lf%o fhf %ofCfo
- ☐E Compaq PowerStorm 600fOf %oftfBfbfNfX fRf“fgf□□lf%o fhf %ofCfo
- ☐E Diamond Multimedia Fire GL 4000fOf%oftfBfbfNfX fRf“fgf□□lf%o fhf%ofCfo
- ☐E ELSA GLoria-L 3DfOf%oftfBfbfNfX fRf“fgf□□lf%o fhf%ofCfo
- ☐E ELSA GLoria-XL 3DfOf%oftfBfbfNfX fRf“fgf□□lf%o fhf%ofCfo
- ☐E ELSA GLoria Synergy/Synergy+ 3DfOf%oftfBfbfNfX fRf“fgf□□lf%o fhf%ofCfo
- ☐E ELSA Synergy IIfOf%oftfBfbfNfX fRf“fgf□□lf%o fhf%ofCfo
- ☐E Matrox Millennium II PCI/Millennium G200 PCI/Millennium G200 AGPfOf %oftfBfbfNfX fRf“fgf□□lf%o fhf %ofCfo
- ☐E Matrox MGA MillenniumfOf %oftfBfbfNfX fRf“fgf□□lf%o fhf %ofCfo
- ☐E CompaqAfhfof“fXfg flfbfgf□□lfN fRf“fgf□□lf< ft□lfefBfŠfefB
- ☐E CompaqAfÆfC fRf“ftfBfMf... fCE□lfVf#f“ ft□lfefBfŠfefB,lfCf“fXfg□lf< fTf□lfg

ft□lfefBfŠfefB

'□: fZfbfgfAfbfv fvf□fOf%of€ ,lfwf<fvftf@fCf<,ðfn□lfhfffBfXfN,ÉfRfs□lf,μ,Û,·,ª□A,± ,l,½,ß,É,lfVfXfef€□ä,É2.5MB^É□ä,ì<ó,«—e—É,ª•K—v,Ä,·□B□\•ª,É<ó,«—e— É,ª,É,ç□é□#□AfGf%o□lf□fbfZ□lfW,ª•\Ž!,ª,è,Û,·□B

fCf“fXfg□lf<Žè□#,É,Â,ç,Ä,í□ACompaq Windows NT Workstation SSDfZfbfgfAfbfv fvf□fOf%of€ ,lŽg,ç•û,ì□€,ðŽQ□Æ,μ,Ä,,¾,¾,ç□B

□d—v: ,±,lfwf<fv ftf@fCf<“à,lfhf%ofCfo,lfCf“fXfg□lf<•û-@,Ä,í□Afrf“fsf...□lf^ fZfbfgfAfbfv ft□lfefBfŠfefB,ðŽg—p,μ,Äfn□lfhfEfFfA,ª□³,μ,fCf“fXfg□lf<,ª,è□Afrf“ftfBfMf... fCE□lfVf#f“ ,ª,è,Ä,ç,é,±,Æ,ð'O'ñ,Æ,μ,Ä,ç,Û,·□Bfn□lfhfEfFfA,lfCf“fXfg□lf<,É,Ä,ç ,Ä,í□Afrf□lfNfXfe□lfVf#f“ ,É•t'©,lfŠftf@fCf“fXfKfCfh,ðŽQ□Æ,μ,Ä,,¾,¾,ç□B

ftf□lfg,ª,è,éfn□lfhfEfFfA

Compaq Windows NT 4.0 Workstation SSD 2.05A,í□A^È%oº,ìCompaq Professional Workstation,ÄfTf□lfg,ª,è,Û,·□B

- ☐E Compaq Professional Workstation SP700
- ☐E Compaq Professional Workstation AP500
- ☐E Compaq Professional Workstation AP400
- ☐E Compaq Professional Workstation AP200

- ☐ E Compaq Professional Workstation 8000
- ☐ E Compaq Professional Workstation 6000
- ☐ E Compaq Professional Workstation 5100
- ☐ E Compaq Professional Workstation 5000

☐ V, μ, ϕ ☐ ☐ ☐ fNfXfe ☐ ☐ fVf#f“ ☐ »•i, δfTf ☐ ☐ [fg, ·, é SSD, ðfo ☐ ☐ fWf#f“ , É, Â, ϕ, Ä, Í ☐ ☐ [Compaq Windows NT Workstation SSD, ðV<@“\, ð€ , ðŽQ ☐ ☐ AE, μ, Ä, , ¾, ¾, ϕ ☐ ☐ B](#)

’☐: Compaq Professional Workstation, “, æ, Ñ Compaq ProLiant/ProSigniafT ☐ ☐ [fo, δfTf] ☐ ☐ [fg, μ, Ä, ϕ, ½ SSD, Í ☐ ☐ Af ☐ ☐ [fNfXfe ☐ ☐ [fVf#f“ —p, ÆfT ☐ ☐ [fo—p, É • äŠ, , , ¾, é, Ü, μ, ½ ☐ ☐ B Compaq Professional Workstation—p, Í ☐ ☐ A Compaq Windows NT 4.0 WorkstationfTf ☐ ☐ [fg f\ fTfgfE fFfA Ver 2.00A ☐ ☐ i, Ü, ½, Í, » , ê ^ È ☐ ~ ☐ ☐ j ☐ ☐ A Compaq ProLiant/ProSigniafT ☐ ☐ [fo—p, Í ☐ ☐ A Compaq Windows NT 4.0fT ☐ ☐ [fo fTf ☐ ☐ [fg Ver 2.10A ☐ ☐ i, Ü, ½, Í, » , ê ^ È ☐ ~ ☐ ☐ j, É, È, è, Ü, · ☐ ☐ B

fTf ☐ ☐ [fg, ¾, é, é fTfgfE fFfA

Compaq Windows NT Workstation SSD Ver 2.05A, Í ☐ ☐ A Microsoft Windows NT Workstation 4.0 ☐ ☐ i Build 1381 ☐ ☐ j, Ì, Ý, Å fTf ☐ ☐ [fg, ¾, é, Ü, · ☐ ☐ B

fWf<fv ftf@fCf<, ð´ó☐ü

fWf<fv ftf@fCf<S ð´ó☐ü, ·, é, É, Í ☐ ☐ A Ž Ÿ, ðfifvfVf#f“ , ð, ϕ, , é, ©, ð´I´ð, μ, Ä, , ¾, ¾, ϕ ☐ ☐ B
☐ E ftf@fCf< f☐fjf... ☐ ☐ [, ©, ϕ [‘ SfgfsfbfN, ð´ó☐ü], ð´I´ð, ·, é, © ☐ ☐ A, Ü, ½, Í
☐ E Alt+F ☐ ☐ AE, ð%óÝ, μ, Ü, · ☐ ☐ B

fWf<fv ftf@fCf<, ð€–Ú•É, É ^ ó☐ü, ·, é, É, Í ☐ ☐ A ftf@fCf< f☐fjf... ☐ ☐ [, ©, ϕ [fgfsfbfN, ð´ó☐ü] fifvfVf#f“ , ð´I´ð, μ, Ä, , ¾, ¾, ϕ ☐ ☐ B

’☐: ŠefgfsfbfN, ð%ó, ð´ó, É<L ☐ ☐ Ú, ¾, é, Ä, ϕ, é ☐ ☐ u ŽQ ☐ ☐ I Ž´ —z ☐ ☐ v, ð´t, É ☐ ☐ AfRf“ fpfbfN, ðWhite Paper, ðŽQ ☐ ☐ AE, ·, é, à, ð, ð, , è, Ü, · ☐ ☐ B, ±, é, ϕ, ðWhite Paper, Í ☐ ☐ AfRf“ fpfbfN, ðfz ☐ ☐ [f€fy ☐ ☐ [fW ☐ ☐ i www.compaq.com, Ü, ½, Í www.compaq.co.jp ☐ ☐ j, Å ŽQ ☐ ☐ AE, Å, «, Ü, · ☐ ☐ B

{ button ð´½ Ö ~ A ð´½ ð´½ ð´½ ð´½ ð´½, AL(` installing; new features; obtaining; support; support sw cd', 0, `', `') }



Compaq Windows NT Workstation SSD, ÌV<@”

Compaq Windows NT 4.0 Workstation SSD Ver 2.05 Rev. A, Ì<@”

-{fŠfŠ[fX[iCompaq Windows NT 4.0 WorkstationfTf][fg f]ftfgfEjFfAVer 2.05 Rev A[]j,Å,Í[]A^È
%°²,ÌV[]»•i,afTf][fg,³,ê,é,æ,α,É,È,è,Ü,μ,½[]B

- E 3Dlabs Oxygen GVX1fOf%oftfBfbfNfX fRf“fgf[]f%
- E Compaq WorkstationfTf][fg
- E ELSA Synergy IlfOf%oftfBfbfNfX fRf“fgf[]f%
- E PowerStorm 600fOf%oftfBfbfNfX fRf“fgf[]f%

3Dlabs Oxygen GVX1fOf%oftfBfbfNfX fRf“fgf[]f%-iGLINTMP.SYS[]j

- E []V,μ,ç3Dlabs Oxygen GVX1fOf%oftfBfbfNfX fRf“fgf[]f% fhf%ofCfo
fo[]fWf#f“2.14.0911,ìTf][fg,ð’Ç%°Á,μ,Ü,μ,½[]B

ELSA Synergy IlfOf%oftfBfbfNfX fRf“fgf[]f%-iESYNIIM.SYS[]j

- E []V,μ,çELSA Synergy IlfOf%oftfBfbfNfX fRf“fgf[]f% fhf%ofCfo
fo[]fWf#f“4.07.04.069,ìTf][fg,ð’Ç%°Á,μ,Ü,μ,½[]B

Compaq PowerStorm 300fOf%oftfBfbfNfX fRf“fgf[]f%-iPBXGDAC.SYS[]j

- E PowerStorm 300fOf%oftfBfbfNfX fRf“fgf[]f% fhf
%ofCfo,ìfo[]fWf#f“,ð3[]A00[]A0310[]A1651,ÉfAfbfvff[]fg,μ,Ü,μ,½[]B

Compaq PowerStorm 600fOf%oftfBfbfNfX fRf“fgf[]f%-iGLZMPD.SYS[]j

- E PowerStorm 600fOf%oftfBfbfNfX fRf“fgf[]f% fhf%ofCfo fo[]fWf#f“4.06.01.51,ìTf][fg,ð’Ç%°Á,μ,Ü,μ,½[]B

[ELSA GLoria Synergy/Synergy+ fOf%oftfBfbfNfX fRf“fgf□□\[f%o-□iEGLPM.SYS□j%□E](#)
ELSA GLoria Synergy/Synergy+ fOf%oftfBfbfNfX fRf“fgf□□[f%o fhf
%ofCfo, lfo□[fWf+f“, ð5.36.00.408, ÉfAfbfvff□[fg, μ, Ü, μ, ½□B

[Matrox Millenium II PCI/Millenium G200 PCI/Millenium G200 AGP/Productiva G100 MMSfOf](#)
[%oftfBfbfNfX fRf“fgf□□\[f%o-□iMGA64.SYS□j%□E](#)
□E fOf%oftfBfbfNfX fRf“fgf□□[f%o fhf
%ofCfo, lfo□[fWf+f“, ð4.12.043, ÉfAfbfvff□[fg, μ, Ü, μ, ½□B

[Compaq SCSI fRf“fgf□□\[f%o fhf%ofCfo-□iCPQ32FS2.SYS□j%□E](#)
Compaq SCSI-2fhf
%ofCfo, lfo□[fWf+f“, ð3.19, ©, ç3.23.001.001, ÉfAfbfvff□[fg, μ, Ü, μ, ½□B

{button Related Topics, AL(` installing;obtaining;feature',0,`, `')}



Compaq Windows NT 4.0 Workstation SSD Ver 2.04, l<@”\

-{fššš[fX[iCompaq Windows NT 4.0 WorkstationfTf][fg f]ftfgEjFfAVer 2.04 Rev A[j,Å,Í[A^È
%º, l[V]»•i,²fTf][fg,³,ê,é,æ,æ,É,È,è,Ü,µ,½[B

- E Compaq PowerStorm 600fOf%oftfBfbfNfX fRf“fgf□□[f%o
- E Compaq SmartfAfCfC221fRf“fgf□□[f%o
- E Compaq NC3131 Fast Ethernet NIC
- E Compaq NC3132 Fast Ethernetf,fWf...□[f<
- E Compaq NC3133 Fast Ethernetf,fWf...□[f<
- E Compaq NC6132 Gigabitf,fWf...□[f<
- E Compaq NC6133 Gigabitf,fWf...□[f<

Compaq PowerStorm 600fOf%oftfBfbfNfX fRf“fgf□□[f%o-□iGLZMPD.SYS□j

- E □V,µ,¢Compaq PowerStorm 600fOf%oftfBfbfNfX fRf“fgf□□[f%o fhf%ofCfo
fo□[fWf+f“04.06.01.44,l]fTf][fg,ð’Ç%ºÁ,µ,Ü,µ,½[B

□d—v: Microsoft Windows NT Service Pack 4,ðfCf“fXfg□[f<,µ,Ä,©,ç□ACompaq
PowerStorm 600fOf%oftfBfbfNfX fRf“fgf□□[f%o fhf%ofCfo,ðfCf“fXfg□[f<,µ,Ä,,¾,¾,ç□B

Matrox Productiva G100 MMSfOf%oftfBfbfNfX fRf“fgf□□[f%o-□iMGA64.SYS□j

- E Matrox Productiva G100 MMSfOf%oftfBfbfNfX fRf“fgf□□[f%o fhf
%ofCfo,lfo□[fWf+f“,ð4.00□ibuild 4.06.023□j,ÉfAfbfvff□[fg,µ,Ü,µ,½[B
- E Matrox Productiva G100f}f<f` f,fjj^ fVfš□[fY fOf%oftfBfbfNfX fRf“fgf□□[f%o,l]fTf|
□[fg,ð’Ç%ºÁ,µ,Ü,µ,½[B

□d—v: Microsoft Windows NT Service Pack 3□i^È□~□j,ðfCf“fXfg□[f<,µ,Ä,©,ç□AMatrox
Productiva G100f}f<f` f,fjj^ fVfš□[fY fOf%oftfBfbfNfX fRf“fgf□□[f%o fhf
%ofCfo,ðfCf“fXfg□[f<,µ,Ä,,¾,¾,ç□B

Matrox Millennium II PCI/Millennium G200 PCI/Millennium G200 AGP/MGA MillenniumfOf %oftfBfbfNfX fRf“fgf□□[f%o-□iMGA64.SYS□j

- E Matrox Millennium li PCI/Millennium G200 PCI/Millennium G200 AGP/MGA
MillenniumfOf%oftfBfbfNfX fRf“fgf□□[f%o fhf%ofCfo fo□[fWf+f“4.00□ibuild
3.60.116□j,l]fTf][fg,ð’Ç%ºÁ,µ,Ü,µ,½[B

Compaq PowerStorm 300fOf%oftfBfbfNfX fRf“fgf□□[f%o-□iPBXGDAC.SYS□j

- E Compaq PowerStorm 300fOf%oftfBfbfNfX fRf“fgf□□[f%o fhf
%ofCfo,lfo□[fWf+f“,ð2□A2□A1107□A1219,©,ç2□A2□A0211□A1434,ÉfAfbfvff□[fg,µ,Ü
,µ,½[B

□d—v: Microsoft **Windows** NT Service Pack
3□i^È□~□j,ðfCf“fXfg□[f<,µ,Ä,©,ç□ACompaq PowerStorm 300fOf%oftfBfbfNfX fRf“fgf□□[f
%o fhf%ofCfo,ðfCf“fXfg□[f<,µ,Ä,,¾,¾,ç□B

Compaq SMARTfAfCfC/SMART-2fAfCfC/SmartfAfCfC221fRf“fgf□□[f%o fhf%ofCfo - □iCPOARRAY.SYS□j

☐E Compaq SMARTfAfCEfC/SMART-2fAfCEfC/SmartfAfCEfC221fRf“fgf□□[f%o fhf %ofCfo,lfo□[fWf#f“ ,đ4.01.03.30, © ,ç4.01.03.36,ÉfAfbfvff□[fg,μ,Ü,μ,½□B

☐E □V,μ,çCompaq SmartfAfCEfC221fRf“fgf□□[f%o,lftf]□[fg,đ’Ç%Á,μ,Ü,μ,½□B

Compaq Ethernet□AFast Ethernet□A,Ü,½,ÍGigabitfRf“fgf□□[f%o -□iN100NT.SYS□j

☐E Compaq Ethernet□AFast Ethernet□A,Ü,½,ÍGigabitfRf“fgf□□[f%o fhf %ofCfo,lfo□[fWf#f“ ,đ3.08.00.0004, © ,ç4.29.01.0008,ÉfAfbfvff□[fg,μ,Ü,μ,½□B

☐E ^È%oº,ìCompaq Fast Ethernet,Ü,½,ÍGigabitfRf“fgf□□[f%o,lftf]□[fg,đ’Ç %oÁ,μ,Ü,μ,½□B

- ☐E Compaq NC3131 Fast Ethernet NIC
- ☐E Compaq NC3132 Fast Ethernetf,fWf...□[f<
- ☐E Compaq NC3133 Fast Ethernetf,fWf...□[f<
- ☐E Compaq NC6132 Gigabitf,fWf...□[f<
- ☐E Compaq NC6133 Gigabitf,fWf...□[f<

CompaqfAfCEfC fRf“ftfBfMf...fCE□[fVf#f“ ft□[fefBfŠfefB -□iCPOACU.EXE□j

☐E CompaqfAfCEfC fRf“ftfBfMf...fCE□[fVf#f“ ft□[fefBfŠfefB,lfo□[fWf#f“ ,đ2.00, © ,ç2.20,ÉfAfbfvff□[fg,μ,Ü,μ,½□B

☐E □V,μ,çCompaq SmartfAfCEfC221fRf“fgf□□[f%o,lftf]□[fg,đ’Ç%Á,μ,Ü,μ,½□B

Compaq Advanced Wake-on-LANfhf%ofCfo -□iCPOAWOL.SYS□j

☐E □V,μ,çCompaq Advanced Wake-on-LANfhf%ofCfo fo□[fWf#f“ 1.01,lftf]□[fg,đ’Ç %oÁ,μ,Ü,μ,½□B

CompaqfŠf,□[fgROMfAfbfvff□[fg,¨,æ,ÑfZfLf...fŠfefB□Ý’èfT□[frfX -□iCQRS.SYS□j

☐E CompaqfŠf,□[fgROMfAfbfvff□[fg,¨,æ,ÑfZfLf...fŠfefB□Ý’èfT□[frfX fhf %ofCfo,lfo□[fWf#f“ ,đ1.04, © ,ç1.05,ÉfAfbfvff□[fg,μ,Ü,μ,½□B

☐E Compaq Professional Workstation AP200□AAP500□A,¨,æ,ÑSP700,É,¨,ç ,ÄMlIfG□[fWfFf“fg,šfCf“fXfg□[f<,³,è,Ä,ç,é,ÆfŠf,□[fg fZfLf...fŠfefB,³<@“\ ,μ,É,ç•s<ï# ,đ□C³,μ,Ü,μ,½□B

ATAPI/IDE fRf“fgf□□[f%o fhf%ofCfo-□iCPOATAPI.SYS□j

☐E ATAPI/IDEfRf“fgf□□[f%o fhf%ofCfo,đ□X□V,μ□AMicrosoft Windows NT Service Pack 3□i`È□~□j,šfCf“fXfg□[f<,³,è,Ä,ç,é□□[fNfXfe□[fVf#f“ ,Æ□A8.4GB,đ’´,|,éATAP/ IDEfRf“fgf□□[f%o,šfCf“fXfg□[f<,³,è,Ä,ç,é□□[fNfXfe□[fVf#f“ ,Å,ìMSATAPIfhf %ofCfo,ìY’è,ÉŠÖ,·,é-â’è,đ□C•œ,μ,Ü,μ,½□B,±,l-â’è,ì□AWindows NT Workstation SSDfZfbfgfAfbfv fvf□Of%of€ ,đŽÄ□s,·,é,ÆZ © “®“l,É□C•œ,³,è,Ü,·□B

☐E ATAPI/IDEfRf“fgf□□[f%o fhf%ofCfo,ì□AMicrosoft Windows NT Service Pack 4,šfCf“fXfg□[f<,³,è,Ä,ç,é□□[fNfXfe□[fVf#f“ ,Æ□A8.4GB,đ’´,|,éATAP/IDEfRf“fgf□□[f%o ,šfCf“fXfg□[f<,³,è,Ä,ç,é□□[fNfXfe□[fVf#f“ ,É,ífCf“fXfg□[f<,Ä,«,Ü,¹,ñ□B

☐d—v: ATAPI/IDE fRf“fgf□□[f%o fhf%ofCfo,ì□ACompaq Professional Workstation SP700,Ä,lftf]□[fg,³,è,Ä,ç,Ü,¹,ñ□BATAPI/IDE fRf“fgf□□[f%o,šfCf“fXfg□[f<,³,è,Ä,ç

,éProfessional Workstation SP700,ÅCompaq Windows NT 4.0 WorkstationfTf|[]fg f\ftfgfEjFfAver 2.00A,Ü,½,Í2.01A,đŽg—p,μ,½ê[]#[]ACompaq Windows NT 4.0 WorkstationfTf|[]fg f\ftfgfEjFfAver 2.04AfZfbfgfAfbfv fv[]fOf%of€ ,đŽÀ[]s,μ,Ä[]ACPQATAPI.SYSfhf%ofCfo,đ-³CEø,É,μ[]AMicrosoft Windows NT Service Pack 3[]i^Ê[]~[]j,É•t'® ,μ,Ä,ç,éMSATAPI.SYSfhf%ofCfo,đ—LCEø,É,μ,Ä,,¾,³,ç[]B

{button Related Topics,AL(`installing;obtaining;features',0,`,`')}



**Compaq Windows NT 4.0 Workstation SSD Ver 2.03, l<@”\
 Compaq Windows NT 4.0 Workstation SSD Ver 2.03 Rev. A, l<@”\
 –{fšfš[fX[iCompaq Windows NT 4.0 WorkstationfTf][fg f]ftfgEjFfAVer 2.03 Rev. A][,À,í[A^È**

–{fšfš[fX[iCompaq Windows NT 4.0 WorkstationfTf][fg f]ftfgEjFfAVer 2.03 Rev. A][,À,í[A^È
 %º,í[V]»•i,²fTf][fg,³,ê,é,æ,¼,É,È,è,Û,µ,½]B

- E Matrox Productiva G100f}f<f` f,fjf^ fVfš[fY fOf%oftfBfbfNfX fRf“fgf□[f%o
- E Matrox Millennium G200 PCIfOf%oftfBfbfNfX fRf“fgf□[f%o
- E Symbios Wide Ultra2 PCI SCSIfRf“fgf□[f%o

[Matrox Productiva G100 MMSfOf%oftfBfbfNfX fRf“fgf□\[f%-iMGA64.SYS\]](#)

- E □V,µ,çMatrox Productiva G100f}f<f` f,fjf^ fVfš[fY fOf%oftfBfbfNfX fRf“fgf□[f%o
 fhf%ofCfo fo□[fWf}f“4.00□ibuild 4.0.9□],lfTf][fg,ð’Ç%ºÁ,µ,Û,µ,½]B
- d—v: Microsoft Windows NT Service Pack 3□i^È□~□],ðfCf“fXfg□[f<,µ,Ä,©,ç□AMatrox
 Productiva G100f}f<f` f,fjf^ fVfš[fY fOf%oftfBfbfNfX fRf“fgf□[f%o fhf
 %ofCfo,ðfCf“fXfg□[f<,µ,Ä,,¾,¾,ç□]B

[Matrox Millennium II PCI/Millennium G200 PCI/Millennium G200 AGPfOf%oftfBfbfNfX
 fRf“fgf□\[f%-iMGA64.SYS\]](#)

- E Matrox Millennium II PCI/Millennium G200 PCI/Millennium G200 AGPfOf
 %ofCfo,lf□[fWf}f“4.00□ibuild 4.0.152□],ÉfAfbfvff□[fg,µ,Û,µ,½]B
- E Matrox Millennium G200 PCIfOf%oftfBfbfNfX fRf“fgf□[f%o,lfTf][fg,ð’Ç
 %ºÁ,µ,Û,µ,½]B
- E Matrox Millennium II PCI□AMillennium G200 AGP□A,“æ,ÑMillennium G200 PCIfOf
 %oftfBfbfNfX fRf“fgf□[f%o,ð”^è.ìVfXfef€É□–□Y,¾,¾,¾,Ä•;□],f,fjf^,ðfTf|
 □[fg,Ä,«é,æ,¼,É,µ,Û,µ,½]B

□d—v: Matrox Millennium II PCI/Millennium G200 PCI/Millennium G200 AGPfOf
 %ofCfo,í□AMatrox MGA MillenniumfOf%oftfBfbfNfX fRf“fgf□[f%o,ðfTf|
 □[fg,µ,Û,¾,¼□BMatrox MGA MillenniumfOf%oftfBfbfNfX fRf“fgf□[f%o
 ,ìÄ□Vfo□[fWf}f“,ðfCf“fXfg□[f<,é,É,í□ACompaq Windows NT 4.0 WorkstationfTf][fg f
 ftfgEjFfAVer 2.00A,ðŽg—p,µ,Ä,,¾,¾,¾,ç□BCompaq Windows NT 4.0 WorkstationfTf][fg f
 ftfgEjFfAVer 2.00A,í□AfRf“fpfbfN,ìWebfTfCfg□ihhttp://www.compaq.com,“,æ,Nhttp://
 www.compaq.co.jp□],©,çf_fEf“f□[fh,é,±,Æ,¾,Ä,«Û,·□]B

[Symbios Wide Ultra2 PCI SCSIfRf“fgf□\[f%-iSYMC8XX.SYS\]](#)

- E □V,µ,çSymbios Wide Ultra2 PCI SCSIfRf“fgf□[f%o fhf%ofCfo fo□[fWf}f“4.08.00,lfTf|
 □[fg,ð’Ç%ºÁ,µ,Û,µ,½]B

[Compaqšf.□\[fgROMfAfbfvff□\[fg,“æ,ÑfZfLf...fšfefB□Ý’èfT□\[frfX-iCPQRS.SYS\]](#)

- E Compaqšf.□[fgROMfAfbfvff□[fg,“æ,ÑfZfLf...fšfefB□Ý’èfT□[frfX fhf
 %ofCfo,lf□[fWf}f“,ð1.01,©,ç1.04,ÉfAfbfvff□[fg,µ,Û,µ,½]B
- E AMD ROMftf%ofbfVf... f<□[f`f“,É<@”\%ü’Pf^fCf},ð’Ç%ºÁ,µ,Û,µ,½]B
 {button Related Topics,AL(`installing;obtaining;features',0,`,`'})}



Compaq Windows NT 4.0 Workstation SSD Ver2.02,ì<@”
Compaq Windows NT 4.0 Workstation SSD Ver 2.02 Rev.A,ì<@”

-{fšfš[fX□iCompaq Windows NT 4.0 WorkstationfTf]□[fg fftfgfEjFfAVer 2.02 Rev.A□j,í□A^È
%o°²,lfhf%ofCfo,đfAfbfvff□[fg,μ,½f□f“fefif“fX fšfš□[fX,Á,·□B

□d—v: -{fšfš□[fX^È□~□ACompaq Windows NT Workstation SSD,í□AffBfXfPfbfg
fCf□□[fW,đŠÜ,ñ,¾CE` ,Á,í”z•t,³,ê,Ü,¹,ñ□BCompaq Windows NT 4.0 Workstation
SSD,đSoftPaq,Æ,μ,Á“üŽè,·,é,Æ□ASoftPaq,ífn□[fhfffBfXfN,ífffBfCEfnfgfŠ,Éftf@fCf<,đ
%ođ“€,μ,Ü,·□BCompaq Windows NT 4.0 Workstation SSD V
2.02A^È□~ ,í□AffBfXfPfbfg fCf□□[fW,đŠÜ,pSoftPaq,Æ,μ,Á,í“üŽè,Á,« ,Ü,¹,ñ□B

Compaq ProLiantfXfgfCE□[fW fVfXfef€ fhf%ofCfo-(PRLNTSS.SYS)

- E Compaq ProLiantfXfgfCE□[fW fVfXfef€ fhf
%ofCfo,ífo□[fWf†f“,đ2.03,©,ç2.04,ÉfAfbfvff□[fg,μ,Ü,μ,½□B
- E Compaq ProLiantfXfgfCE□[fW fVfXfef€—p,íCompaq ProLiantfXfgfCE□[fW fVfXfef€ fhf
%ofCfo,íftf]□[fg,đ’Ç%oÁ,μ,Ü,μ,½□BfAfbfvff□[fg,³,ê,½Compaq ProLiantfXfgfCE□[fW
fVfXfef€ fhf%ofCfo,í□A15`à,Ü,Á,lfhf%ofCfu,đftf]□[fg,μ□Aftf@f“□E%o·“x□EfzfbfgfVf
%ofO,íŽ-□Ú“™ ,É’í,·,éAf%o□[f€,đCEÿ□o,μ,Ü,·□B

Compaq PowerStorm 300fOf%oftfBfbfNfX fRf“fgf□□[f%o-(PBXGDAC.SYS)

- E Compaq PowerStorm 300fOf%oftfBfbfNfX fRf“fgf□□[f%o fhf%ofCfo,ífo□[fWf†f“,đ2, 2,
0923, 1002,©,ç2, 2, 1107, 1219,ÉfAfbfvff□[fg,μ,Ü,μ,½□B

ELSA Gloria Synergy/Synergy+fOf%oftfBfbfNfX fRf“fgf□□[f%o-(EGLPM.SYS)

- E ELSA Gloria Synergy/Synergy+fOf%oftfBfbfNfX fRf“fgf□□[f%o fhf
%ofCfo,ífo□[fWf†f“,đ5.33.02.310,©,ç5.35.00.360,ÉfAfbfvff□[fg,μ,Ü,μ,½□B,±
,íAfbfvff□[fg,μ,½fhf%ofCfo,Á,í□AMicrosoft PowerPoint,Á,í-â`è,đ□C³,μ□AAGP,đftf]
□[fg,μ,Á,ç,Ü,·□B

Diamond Multimedia Fire GL 4000fOf%oftfBfbfNfX fRf“fgf□□[f%o-(FGL4KM.SYS)

Diamond Multimedia Fire GL 4000fOf%oftfBfbfNfX fRf“fgf□□[f%o fhf
%ofCfo,ífo□[fWf†f“,đ4.00.1381.2137,©,ç4.00.1381.2221,ÉfAfbfvff□[fg,μ,Ü,μ,½□B,±
,íAfbfvff□[fg,μ,½fhf%ofCfo,Á,í□A^È%o²,íAfvfŠfP□[fVf†f“,Á,í-â`è,³□C³,³,ê,Ü,μ,½□B

Microsoft Windows 2000 Professional

- E Microsoft Windows 2000 Professional—p,í□i•ñftf@fCf<,đ•í□X

CompaqfŠf,□[fgROMfAfbfvff□[fg,“,æ,ÑfZfLf...fŠfefB□Y`èfT□[frfX-(CPQRS.SYS)

- E CompaqfŠf,□[fgROMfAfbfvff□[fg,“,æ,ÑfZfLf...fŠfefB□Y`èfT□[frfX fhf
%ofCfo,ífo□[fWf†f“,đ1.00,©,ç1.01,ÉfAfbfvff□[fg,μ,Ü,μ,½□B
- E Compaq Professional Workstation
AP400,íROM,Á□A^Ù□í,É□’,«□ž,Ý:Öž~ ,É,È,Á,½fZfNf^ ,đCEÿ□o,Á,« ,é,æ,x□Afhf
%ofCfo,đfAfbfvff□[fg,μ,Ü,μ,½□BfAfbfvff□[fg,³,ê,½fhf%ofCfo,í□A□’,«Š,í,æ,x
,Æ,μ,½ROM,³”j¹,³,ê,é,í,đCEÿ□o,μ□A□C³,μ,Ü,·□B

{button ž ½Ö~ Aïž ½ïž ½ïž ½ïž ½,AL(` installing;obtaining;features',0,`,`)}



Compaq Windows NT 4.0 Workstation SSD Ver2.01,ì<@”

Compaq Windows NT 4.0 Workstation SSD Ver 2.01 Rev.A,ì<@”

- {fšfš[fX(Compaq Windows NT 4.0 Workstation SSD Ver 2.01 Rev.A),Å,íA^È %º,ìV»•i,²Tf|[]fg,³,è,é,æ,æ,É,È,è,Ü,µ,½B
- ☐E Compaq PowerStorm 300fOf%oftfBfbfNfX fRf“fgf[]f%º
- ☐E Matrox Millennium G200fOf%oftfBfbfNfX fRf“fgf[]f%º

Compaq PowerStorm 300fOf%oftfBfbfNfX fRf“fgf[]f%º [] (PBXGDAC.SYS)

- ☐E []V»•i,ìCompaq PowerStorm 300fOf%oftfBfbfNfX fRf“fgf[]f%º fhf%ofCfoVer 2, 2, 0923, 1002,ìTf|[]fg,²Ç%ºÁ,³,è,Ü,µ,½B

Matrox Millennium/Millennium II/Millennium G200fOf%oftfBfbfNfX fRf“fgf[]f%º [] (MGA64.SYS)

- ☐E []V»•i,ìMatrox Millennium G200fOf%oftfBfbfNfX fRf“fgf[]f%º fhf%ofCfoVer 4.00,ìTf|[]fg,²Ç%ºÁ,³,è,Ü,µ,½B

Compaq SCSIfRf“fgf[]f%º fhf%ofCfo [] (CPQ32FS2.SYS)

- ☐E Compaq SCSIfRf“fgf[]f%º fhf %ofCfo,ìfo[]fWf†“,ð3.16,©,ç3.19,ÉfAfbfvff[]fg,µ,Ü,µ,½B
- ☐E Compaq ProLiantfXfgf[]fW fVfXfef€—p,ìCompaq SCSIfRf“fgf[]f%º fhf %ofCfo,ìTf|[]fg,ðÇ%ºÁ,µ,Ü,µ,½B
- ☐E Compaq DLT 35/70-GBfhf%ofCfu[]ACompaq SCSIfRf“fgf[]f%ºA,“,æ,ÑCompaqTf| []fg fTfgfEfffAfor Microsoft Windows NT 4.0iVer 2.08A,©,çVer 2.09B[]j,Ü,½,ìCompaq Windows NT 4.0 WorkstationfTf|[]fg fTfgfEfffAver 2.00A,ÉŠÜ,Ü,è,éCompaq SCSIfRf“fgf[]f%º fhf%ofCfo,©,ç[]—,³,è,½Compaq Professional Workstation[]ä,Å[]ASeagate BackupExecfAfvfšfP[]fVf†“ f fTfgfEfffA,²Vfffbfg f_fEf“,·,é-â‘è,ð%ºðCE^,·,é,æ,æCompaq SCSIfRf“fgf[]f%º fhf %ofCfo,ðC³,µ,Ü,µ,½B,±,±,Å<“,°,½Compaq Windows NT 4.0 Workstation SSD,ìfo[]fWf†“,Å,ì[]ASeagate BackupExec,ðŽg— p,µ,ÅfofbfNfAfbfv,ð,·,é,Æ[]A5fp[]fZf“fg’«,ç,·fofbfNfAfbfv,µ,½,Æ,± ,é,Å,ÅSCSIfofX,²šfZfbfg,³,è,Å,µ,Ü,æ,ç,æCE»Ü,²<N,±,é,±,Æ,², ,è,Ü,µ,½i—e— È,ì,à,«,çTf|fCf,²SÜ,Ü,è,Å,ç,é,Æ,«,É<N,±,è,à,·,ç[]B

Compaq SMART/SMART-2fAfCEfC fRf“fgf[]f%º fhf%ofCfo [] (CPQARRAY.SYS)

- ☐E Compaq SMART/SMART-2fAfCEfC fRf“fgf[]f%º fhf %ofCfo,ìfo[]fWf†“,ð3.24,©,ç4.01.03.30,ÉfAfbfvff[]fg,µ,Ü,µ,½B
- ☐E Compaq ProLiantfXfgf[]fW fVfXfef€/UE—pCompaq SMART/SMART-2fAfCEfC fRf“fgf[]f%º fhf%ofCfo,ì12fhf%ofCfu fTf|[]fg,ÆŠ•“fLfffrf|fbfg fTf|[]fg,ðÇ %ºÁ,µ,Ü,µ,½B
- ☐E Compaq SMART/SMART-2fAfCEfC fRf“fgf[]f%º fhf%ofCfo,ð,È,çf|f,š,“,æ,ÑfffBfXfN f_f“fvSCSIf|[]fgŠÀ<<,Å,à“®[]i,·,é,æ,æ,É[]C³,µ,Ü,µ,½BMicrosoft Hot Fixes for Service Pack 3,Æ<æ,ÉŽg—p,µ,½[]ê[]†,É,à[]AEISA/PCIfRf“fgf[]f%ºCrash Dump<@”\ ,²[]³,µ,“®[]i,·,é,æ,æ,É[]C³,µ,Ü,µ,½BIEISA/PCIfRf“fgf[]f%ºCrash Dump,ì-â‘è,ð %ºðCE^,·,é,½,ß,É•K—v,ÈMicrosoft Hot Fixes for Service Pack 3,ìî•ñ,É,Å,ç ,Å,ì[]AMicrosoft,ìfz[]f€fy[]fW[]ihhttp://www.microsoft.com[]j,ì“Q173277”,ðŽQ[]Æ,µ,Ä ,,¾,¾,ç[]B

{button ì½Ö~Aî½î½î½î½,AL(` installing;obtaining;features',0,`,`)}



Compaq Windows NT 4.0 Workstation SSD Ver 2.00,ì<@”

Compaq for Windows NT Workstation SSD Ver 2.00 Rev.A,ì<@”

Compaq Windows NT 4.0 Workstation SSD Ver 2.00 Rev.A,ìA^È%º,ìCompaq Professional Workstation,ðfTfj[]fç,µ,Ä,ç,Û,·B

- E Compaq Professional Workstation SP700
- E Compaq Professional Workstation AP500
- E Compaq Professional Workstation AP400
- E Compaq Professional Workstation AP200
- E Compaq Professional Workstation 8000
- E Compaq Professional Workstation 6000
- E Compaq Professional Workstation 5100
- E Compaq Professional Workstation 5000

,±,ìfŠfŠ[]fX,ìA[]f[]fNfXfe[]fVf#f“[]>•i,ì,ÿ,ðfTfj[]fç,µ,½[]Å[]%º,ìCompaq Windows NT Workstation SSD,Ä,·B

ELSA GLoria Synergy/Synergy+ 3DfOf%ºftfBfbfNfX fRf“fgf[]f%º [] []EGLPM.SYS[]

- E ELSA Gloria Synergy/Synergy+ 3DfOf%ºftfBfbfNfX fRf“fgf[]f%º fhf %ºfCfo,ìfo[]fWf#f“,ð5.33.00.310.2,©,çCompaq Professional Workstation SP700,ðfTfj[]fç,µ,½5.33.02.310,ÉfAfbfvf[]fç,µ,Û,µ,½B

Diamond Multimedia Fire GL 4000fOf%ºftfBfbfNfX fRf“fgf[]f%º [] []iFGL4K.SYS[]

Diamond Multimedia Fire GL 4000fOf%ºftfBfbfNfX fRf“fgf[]f%º fhf %ºfCfo,ìfo[]fWf#f“,ð2.1.0.29,©,ç4.00.1381.2137,É,µ,Û,µ,½B,±,ìfhf%ºfCfo,É,æ,èA^È %ºº,ìfAfvfŠfP[]fVf#f“,É%ºe<ç,µ,Û,·B

SoftImage[]iOpenGLfAfvfŠfP[]fVf#f“[]

- E fAf“f“ fGfCjŠfAfX<@”\[]ifAfLf...[]f€fCE[]fVf#f“ fofbftf@[]

Pro/Engineer[]iOpenGLfAfvfŠfP[]fVf#f“[]

- E GL_EXT_polygon_offset,“,æ,ÑGL_EXT_vertex_arrayfGfNfXfef“fVf#f“,ìÇ%ºÁ
- E "Fast Polygon Offset",ð-³CEø,É,·,éfvf[]ftf@fCf<,ìÇ%ºÁ

3D Studio Max

- E GL_WIN_swap_hintfGfNfXfef“fVf#f“,ìÇ%ºÁ
- E fsfNfZf< ftfH[]f}fbfg,ì,½,ß,ìPFD_COPY_SWAP,“,æ,ÑPFD_COPY_EXCHANGE,ðÇ %ºÁ[]BfAfvfŠfP[]fVf#f“,³PFD_COPY_SWAPfrfbfg,ð— v<[],µ,½,Æ,<,ÉfRfs[]fXf[]fbfv,³Žg,í,è,éB

MayafAfvfŠfP[]fVf#f“

- E glDrawPixel(),É,æ,éfNf%ºfbfVf...[]if[]fgfVf“”ŽŽm[]j,ì-â’è,ð%ºðCE^
- E glDrawPixels(),É,æ,éfNf%ºfbfVf...[]ASJ-8586,ì-â’è,ð%ºðCE^

Maya NTfAfvfŠfP[]fVf#f“

- E "Fast Polygon Offset",ð-³CEø,É,·,éfvf[]ftf@fCf<,ìÇ%ºÁ
- E OpenGLfEfBf“fhfE,ð%ºæ-É,ì”í^ÍŠO,É^Ú”® ,µ,½,Æ,<,ÉglDrawPixels(),³”®[]i,µ,È,ç- â’è,ð%ºðCE^

Java3DfAfvfŠfP[]fVf#f“

- E fNfŠfbfsf“fO,ìfofO,ð%ºðCE^

☐E Vertex ArrayfCf“fvfŠf“fe“lfVf“f“,)CEüã

Pro/DesignerAfvfŠfP“lfVf“f“

☐E "ProDesgner"fvf“ftf@fCf<,l'Ç%oÁ

☐E fffCEf“fg fRf“fefLfXfg,Á,È,çfXfCEfbfh,lRf“fefLfXfg,ð“íœ,μ,½,ç
 ,Æ,«,ÉAf}f<f`fXfCEfbfh fAfvfŠfP“lfVf“f“,É,æ,Á,Á<N,±,é-â-è,ð%oðCE^

Hyper Mesh“iOpenGLAfvfŠfP“lfVf“f““j

☐E HWfAfNfZf%ofCE“lf,Á,È,çfufCEf“fffBf“fO f,“lfh,ð“C“³

☐E GL_FEEDBACKf,“lfh,ð“C“³“iftfB“lfhfobfN’t,ÉŠÔ^á,Á,½fR“lfBf“lf,ð“C“³j

☐E fGfNfXfef“fvf“f“,l•i“X,É,æ,Á,Á-³CEø,É,È,Á,½f“lf“f“fC fvfCE“lf“,ð“C“³

Quak II Patch 3.14

☐E ^Ù,È,Á,½f“lfX fR“lfh fpfX,ð,Æ,“,μ,½,Æ,«,l•,“@“-“““_ ,l•s“³Šm,³,ð%oü‘P

ArcView/3D Analyst

☐E ^Ù,È,Á,½f“lfX fR“lfh fpfX,ð,Æ,“,μ,½,Æ,«,l•,“@“-““““_ ,l•s“³Šm,³,ð%oü‘P

MSATAPI ATAPI/IDEfRf“fgf““lf%o “l“iATAPI.SYS“j

☐E 8.4GB^Èã,ðfTf“lf,·,éMSATAPI ATAPI/IDEfRf“fgf““lf%o fhf
 %ofCfo,ÉfAfbfvff“lf,μ,Û,μ,½“B

{button ĩ½Ö~Aĩ½ĩ½ĩ½ĩ½,AL(`installing;obtaining;features',0,`,`')}



Microsoft Windows NT Service Pack, Compaq SoftPaq

Microsoft Windows NT Workstation, Microsoft Windows NT Service Pack, Compaq Windows NT Workstation SSD, Compaq Windows NT Service Pack, Compaq Windows NT Workstations SSD

Microsoft Windows NT Service Pack

Microsoft Windows NT Service Pack 3, Microsoft Windows NT Service Pack 4, Microsoft Windows NT Service Pack 1, Microsoft Windows NT Service Pack 3, Compaq Windows NT Service Pack 3, Compaq Windows NT Service Pack 4, Compaq Windows NT Service Pack 1, Compaq Windows NT Service Pack 3, Compaq Windows NT Service Pack 4, Compaq Windows NT Service Pack 1

Compaq Windows NT Workstation SSD, Compaq Windows NT Service Pack, Compaq Windows NT Workstations SSD

2. Microsoft Windows NT Service Pack

Compaq Windows NT Workstation SSD	Windows NT Workstation	Microsoft Windows NT Service Pack
2.00A	4.0	SP3
2.01A	4.0	SP3
2.02A	4.0	SP3, Compaq Windows NT Service Pack 4
2.03A	4.0	SP3, Compaq Windows NT Service Pack 4
2.05A	4.0	SP3, Compaq Windows NT Service Pack 4

Microsoft Windows NT Service Pack 3, Microsoft Windows NT Service Pack 1, Microsoft Windows NT Service Pack 4, Microsoft Windows NT Service Pack 1, Compaq Windows NT Service Pack 3, Compaq Windows NT Service Pack 4, Compaq Windows NT Service Pack 1, Compaq Windows NT Service Pack 3, Compaq Windows NT Service Pack 4, Compaq Windows NT Service Pack 1

Compaq SoftPaq

Compaq Windows NT Workstation SSD, Compaq Windows NT Service Pack, Compaq Windows NT Workstations SSD

Compaq Windows NT Workstation SSD, Compaq Windows NT Service Pack, Compaq Windows NT Workstations SSD

{button installing;new features;MSPs;overview;obtaining',0,'')}



CompaqTf|[]fg f\ftfgfEfFfACDfLfbfg

Compaq Windows NT Workstation SSD,í[]ACompaqTf|[]fg f\ftfgfEfFfACDfLfbfg,ÉŠÜ,Ü,é,Ä,ç
,Ü,·[]BCompaqTf|[]fg f\ftfgfEfFfACDfLfbfg,í[]ACompaq Professional
Workstation,š“ @[]\,³,¹,é,½,ß,i[]Å[]V,ìfhf
%oƒCfo[]Af+[][fefBfšfefB[]A,“,æ,ÑROMƒCf[][][fW,ššÜ,ň,¾CD,ìfZfbfg,Å,·[]B

CompaqTf|[]fg f\ftfgfEfFfACDfLfbfg,í[]AfRf“fƒfbfN[]»•i”ì”,,“X,æ,è[]w“ü,Å,«,Ü,·[]B
{ button ì½Ö~Ai½½½½½½½½,AL(` installing;MSPs;overview;obtaining',0,`,`'`)}



Microsoft Windows NT Service Pack, Compaq Windows NT Workstation SSD

UP/MP • Š • , , æ, Ñ Å V, Windows NT Service Pack

' : ^ È % ° , Ì UP/MP • Š • Ž è ð ‡ , Í A , , x , Ä , Ì Service Pack , Å < ‹ ' È , Å , · B

UP/MP • Š • f T f | [f g — p , Ì Microsoft Windows NT Service Pack , ð f C f “ f X f g [f < , , é ê ð ‡ Å Compaq Windows NT Workstation SSD , ð f Z f b f g f A f b f v ‘ t , É ^ È % ° , ð f [f b f Z [f W , ð • \ Z | , ³ , è , Ù , · B

, ² Ž g — p , ð f V f X f e f € , É Windows NT Service Pack , ð f C f “ f X f g [f < , μ , Ä , , é ê ð ‡ , Í A f Z f b f g f A f b f v f v f [f O f % o f € , Å ^ È % ° , Ì , ç , , è , © , Ì , à , Ì , ð f h f % o f C f u , É “ ü , è , é , æ , ‹ , É f v f [f “ f v f g , ð • \ Z | , ³ , è , Ù , · B

- E Microsoft Windows NT Service Pack x , ð Š Ů , p Compaq SmartStart for Workstations CD □ i Windows NT Workstation 4.0 — p □ j
- E Service Pack x , ð Š Ů , p Windows NT Workstation 4.0 CD

x , ð f C f “ f X f g [f < , , é Service Pack , Ì ” Ô □ t

Windows NT Service Pack , ð f C f “ f X f g [f < , μ , Ä , ç , È , ç □ ê □ ‡ Å f Z f b f g f A f b f v f v f [f O f % o f € , Ì Microsoft Windows NT Workstation 4.0 CD , ð “ ü , è , é , æ , ‹ , É f v f [f “ f v f g , ð • \ Z | , ³ , è , Ù , · B

{ button Ì Ì ½ Ö ~ Ä Ì Ì ½ Ì Ì ½ Ì Ì ½ Ì Ì ½ , AL (` installing ; MSPs ; new features ; overview ; obtaining ' , 0 , ` , ` ') }



SmartStart for Workstations CD, ©, Compaq Windows NT Workstation SSD, Setup

SmartStart for Workstations CD, ©, Compaq Windows NT Workstation SSD, Setup

1. Windows NT Workstation, Microsoft—
Administrator, Setup
2. SmartStart for Workstations CD, CD-ROM Setup, Setup
SmartStart, HomePage, Setup
%E[ä, i[X]i•Ä, ¶, é[ff]{f^f“, ðfNfŠfbfN, µ, ÄfEfBf“fhfE, ð•Ä, ¶, Ä, ¾, ¾, ç[B
3. [fXf^ [fg]f[ff]... [l, ©, ç[ftf@fCf<-¼, ðŽw’è, µ, ÄŽÀ[s], ð'l’ð, µ, Ü, ·[B
4. X: [NTSSD [SETUP.EXE [iX, iCD-ROMfhf%ofCfu-¼[j, Æf^fCfv, µ[A[OK]
, ðfNfŠfbfN, µ, Ü, ·[B

{button i½Ö~Ai½i½i½i½, AL(`installing;overview;obtaining', 0, `', `')}



flf“f%ofCf“ f[fX, ©,ç,ìCompaq Windows NT Workstation SSD,ì“üžè•û-@

Compaq Windows NT Workstation SSD,í[ACompaq SmartStart for Workstations
CD, ©,ç“üžè,·,é,±,Æ,ª,À,«,Ü,·,ª[AŽŸ,ì,æ,α,È•û-@,À“üžè,·,é,±,Æ,à,À,«,Ü,·[B

- E Nifty Serve,ìCOMPAQ%oi<cŽº□iLANfx“f_□[fXfe□[fVf#“□], ©,çf_fE“f□□[fh,·,é□iGO
SLANVA□j
- E fC“f^□[fLfbfg,ìfRf“fpfbfN,ìfz□[f€fy□[fW□ihhttp://www.compaq.co.jp/□j,À“üžè,·,é

Compaq Windows NT Workstation SSD,í[ACompaqfTf|□[fg_f
ftfgfEfFfACDfLfbfg, ©,ç,à“üžè,À,«,Ü,·[B

Compaq Professional WorkstationfTf|□[fg fŠf□[fX

fRf“fpfbfN,ìfz□[f€fy□[fW□ihhttp://www.compaq.co.jp,Ü,½,ìhttp://www.compaq.com□j,ìfT□[frfX
fZfNfVf#f“,À,í[ACompaq Professional Workstation,ÈŠÖ,·,é,³,Ü,´,Ü,ÈfT□[frfX fŠf□[fX,đ'ñ<Ÿ,μ,Á,¢
,Ü,·[B

{button i_½Ö~Ai_½i_½i_½i_½,AL(`installing;overview',0,`,`')}



Compaq Windows NT Workstation SSD,lfCf"fxfg[]f<•û-@

Compaq Windows NT Workstation SSD,É"ü,Á,Ä,ç,éfffofCfX fhf%ofCfo,íA•i[]",ì•û-@,ÁfCf"fxfg[]f<,•,é,±,Æ,ª,Å,«,Ü,·BCompaq Windows NT Workstation SSDfZfbfgfAfbfv fvf[]fOf%of€,ðŽg—p,•,é•û-@,ÆWindows NT Workstation,ì•W[]€,lfCf"fxfg[]f<•û-@,ª, ,è,Ü,·BfTf[]f[]fg,ª,è,Ä,ç,é•û-@,ðŽg—p,µ,È,ç,Æ[]A³[]í,É"®[]ì,µ,È,ç,±,Æ,ª, ,è,Ü,·B

Compaq Windows NT Workstation SSDfZfbfgfAfbfv fvf[]fOf%of€,ðŽg—p,µ,½fffofCfX fhf%ofCfo,lfCf"fxfg[]f<

Compaq Windows NT Workstation SSDfZfbfgfAfbfv fvf[]fOf%of€,ðŽg—p,µ,½fffofCfX fhf%ofCfo,lfCf"fxfg[]f<,Æ,íACompaqfTf[]f[]fg f[]ftfgfEjFfA fffBfXfPfbfg[]iNT SSD[]j,É, ,éfZfbfgfAfbfv fvf[]fOf%of€,ðŽg—p,µ,ÁfffofCfX fhf%ofCfo,ðfCf"fxfg[]f<,•,é•û-@,Ä,·B,±,lfZfbfgfAfbfv fvf[]fOf%of€,íA fRf"fsf...[]f^,ÉfCf"fxfg[]f<,ª,è,Ä,ç,éfn[]fhfEjFfA fRf"fl[]f[]f[]fg,ðŽ"•É,µ,ÁA fCf"fxfg[]f<,•,éfffofCfX fhf%ofCfo,ð•\Ž!,µ,Ü,·B,±,lfvf[]fOf%of€,É,æ,èA^è'ì%o»,ª,è,½•û-@,ÁWindows NT WorkstationSÁ««,ÁfffofCfX fhf%ofCfo,ðfCf"fxfg[]f<,•,é,±,Æ,ª,Ä,«,Ü,·BfZfbfgfAfbfv fvf[]fOf%of€,É,æ,éfcf"fxfg[]f<•û-@,É,Ä,ç,ÁÜ,µ,,íA Compaq Windows NT Workstation SSDfZfbfgfAfbfv fvf[]fOf%of€,lŽg.ç•û,ðŽQ[]Æ,µ,Ä,,¾,¾,ç[]B

Windows NT Workstation •W[]€fpfbfP[]fW,ðŽg—p,µ,½fffofCfX fhf%ofCfo,lfCf"fxfg[]f<

Windows NT Workstation •W[]€fpfbfP[]fW,ðŽg—p,µ,½fffofCfX fhf%ofCfo,lfCf"fxfg[]f<•û-@,Æ,íAWindows NT WorkstationfVfXfej€,ÉfffofCfX fhf%ofCfo,ð,»è,¼,è,É^U,É,A,½•û-@,ÁfCf"fxfg[]f<,•,é,±,Æ,Ä,·BWindows NT WorkstationfZfbfgfAfbfv fvf[]fOf%of€[]A fRf"fgf[]f<f[]f[]f<,ímf[]fbfgf[]fNnfA fCfRf"[]A,Ü,½,ç,,Ä,©,íAWindows NT Workstation,lfCf"fxfg[]f<,É,æ,éfcf"fxfg[]f<,Æ,ç,Ä,½,æ,ª,È,¾,Ü,´Ü,Èfvf[]fOf%of€ ,É,æ,Ä,ÁfffofCfX fhf%ofCfo,ðfCf"fxfg[]f<,•,é,±,Æ,ª,Ä,«,Ü,·B

Systems Management Server,ðŽg—p,µ,½fffofCfX fhf%ofCfo,lfCf"fxfg[]f<

Systems Management Server[]iSMS[]j,ðŽg—p,µ,½fffofCfX fhf%ofCfo,lfCf"fxfg[]f<,íASMS,ðŽg—p,µ,ÁfŠf,[]fg,Áfnf%ofCfA f"fg,ÉfCf"fxfg[]f<,•,é•û-@,Ä,·B[]Ü,µ,,íASMS,É,æ,é Compaq Windows NT Workstation SSD,lŽ"®"[]fCf"fxfg[]f<,ÆfAfbfvff[]fg,ðŽQ[]Æ,µ,Ä,,¾,¾,ç[]B

flfbfgf[]fN fx[]fX,lfCf"fxfg[]f<

flfbfgf[]fN fx[]fX,lfCf"fxfg[]f<,íA flfbfgf[]fN eO—R,ÁfZfbfgfAfbfv fvf[]fOf%of€,ð•N"®,•,é•û-@,Ä,·B[]Ü,µ,,íA flfbfgf[]fNfx[]fX,lfCf"fxfg[]f<,ðŽQ[]Æ,µ,Ä,,¾,¾,ç[]B

fRf}f"fh f%ofCf", ©,ç,lfCf"fxfg[]f<

fRf}f"fh f %ofCf"[]fTfCfCf"fg[]f,[]fh,lfCf"fxfg[]f<,íA fT[]fU,É,æ,é'€[],âGUI,ðŽg,í,,ÉA fCf"fxfg[]f<[]A fAfbfvff[]fg[]A í[]œ,ª,Ä,«,Ü,·B[]Ü,µ,,íA fRf}f"fh f%ofCf", ©,ç,lfCf"fxfg[]f<,ðŽQ[]Æ,µ,Ä,,¾,¾,ç[]B

fŠf,[]fg<@"\,lfRf}f"fh f%ofCf" ftf[]f[]fg,ª,æ,NfZfbfgfAfbfvGUI fTf[]f[]fg

fŠf,[]fg<@"\,lfRf}f"fh f%ofCf" ftf[]f[]fg,ª,æ,NfZfbfgfAfbfvGUI fTf[]f[]fg,Ä,íA fŠf,[]fg,©,ç,íY'è,ª %oÄ"\,Ä,·B[]Ü,µ,,íA fŠf,[]fg fCf"fxfg[]f<,lfTf[]f[]fg,ðŽQ[]Æ,µ,Ä,,¾,¾,ç[]B

•3,íACompaqfTf[]f[]fg f[]ftfgfEjFfA fffBfXfPfbfg[]iNT SSD[]j,Ü,½,íWindows NT Workstation,ðŽg—p,µ,½fCf"fxfg[]f<,É,"ç,ÁA fTf[]f[]fg,ª,è,éŽâ,ÉfffofCfX,lŽí—p,ÆŽg—p,•,éfvf[]fOf%of€ ,ðŽ!,µ,½,à,ì,Ä,·B

•3. ffffofCfX,lŽí—p,ÆfTf[]f[]fg,ª,è,éfcf"fxfg[]f<•û-@

fRf“fj□□lfj“fg	²Y¹⁄₂ÄÜ°¹⁄₄®Y İBÜ, P×Ñ	²Y¹⁄₂ÄÜ°¹⁄₄®Y İBÜ, P×Ñ
fRfWfjX fj□□ffBfj	,È,µ	fRf“fgf□□[f< fpflf<,İ[fhf%ofCfo]
fAfCEfC fRf“fgf□□[f%o	fZfbfgfAfbfv	fRf“fgf□□[f< fpflf<,İ □mSCSIfAf_fvf^□n□A Windows NT Workstation,İfZfbfgfAfbfv
fjfbfgf□□[fN fRf“fgf□□[f%o	fZfbfgfAfbfv	fRf“fgf□□[f< fpflf<,İ □mfjfbfgf□□[fN□n□A Windows NT Workstation,İfZfbfgfAfbfv
ProLiantfXfgfCE□□fW fVfXfef€ ftfj□□[fg	fZfbfgfAfbfv	,È,µ
SCSIfRf“fgf□□[f%o	fZfbfgfAfbfv	fRf“fgf□□[f< fpflf<,İ □mSCSIfAf_fvf^□n□A Windows NT Workstation,İfZfbfgfAfbfv
fVfXfef€ f}fjWf□□“fg fhf %ofCfo	fZfbfgfAfbfv	,È,µ
fOf%oftfBfbfNfX fffofCfX	,È,µ*	Windows NT Workstation,İfZfbfgfAfbfv fRf“fgf□□[f< fpflf<,İ□mffBfXfvfCEfC□n
fVf“fOf< fvf□fZfbfT,Ü,½,İf}f·f fvf□fZfbfT	fZfbfgfAfbfv	Windows NT Workstation,İfZfbfgfAfbfv
fffBfXfvfCEfC fhf%ofCfo	fZfbfgfAfbfv	,È,µ

* CompaqOf%oftfBfbfNfX fRf“fgf□□[f%o,đftfj□□[fg,·,éAfbfvff□[fg—pfhf%ofCfo,İ□ACompaq
Windows NT WorkstationfOf%oftfBfbfNfX ftfj□□[fg fffBfXfPfbfg,É“ü,Á,Ä,ç,Ü,·□B

Windows NT WorkstationfRf“fgf□□[f< fpflf<,É,æ,éfhf%ofCfo,İ□Ø,è‘Ö,İ

Windows NT Workstation,İfRf“fgf□□[f< fpflf<,İ□ANT SSD,İfCf“fXfg□[f< f□fffBfA□iSmartStart for
Workstations CD,È,Ç□j,đŽg,Á,Ä□A^È%o°,İfhf
%ofCfo,İfCf“fXfg□[f<□AfAfbfvf□[fg□A,“,æ,Ñ□i□œ,İ<@“\,đ“ñ<ÿ,µ,Ü,·□B

- E 3Dlabs Oxygen GVX1fOf%oftfBfbfNfX fRf“fgf□□[f%o
- E Adaptec AIC-78xx PCI SCSIfRf“fgf□□[f%o
- E ATAPI/IDEfRf“fgf□□[f%o
- E CompaqAfCEfC fRf“fgf□□[f%o
- E Compaq Ethernet□AFast Ethernet□A,“,æ,ÑGigabitfjfbfgf□□[fN fRf“fgf□□[f%o
- E Compaq Fast SCSI-2fRf“fgf□□[f%o
- E Compaq Netelligent/NetFlex-3 fjfbfgf□□[fN fRf“fgf□□[f%o
- E Compaq PowerStorm 300fOf%oftfBfbfNfX fRf“fgf□□[f%o
- E Compaq PowerStorm 600fOf%oftfBfbfNfX fRf“fgf□□[f%o
- E Diamond Multimedia Fire GL 4000fOf%oftfBfbfNfX fRf“fgf□□[f%o
- E ELSA GLoria-LfOf%oftfBfbfNfX fRf“fgf□□[f%o
- E ELSA GLoria-XLfOf%oftfBfbfNfX fRf“fgf□□[f%o
- E ELSA GLoria Synergy/Synergy+fOf%oftfBfbfNfX fRf“fgf□□[f%o

- ELSA Synergy II fOf%ftfBfbfNfX fRf“fgf□□lf%o
- ESSf□[fffBfl fhf%oCfo
- Matrox Millennium II PCI/Millennium G200 PCI/Millennium G200 AGPfOf %ftfBfbfNfX fRf“fgf□□lf%o
- Matrox MGA MillenniumfOf%ftfBfbfNfX fRf“fgf□□lf%o

'□: fRf“fgf□□lf< fpflf<,É,æ,éfCf“fXfg□lf<,Á,í□Afhf %oofCfo,¾,~,³fCf“fXfg□lf<,³,è□AfRf“ftfBfMf...fC□[fVf#f“□Y'èfAfCfRf“,ÍfCf“fXfg□lf<,³,è,È,¢,½,ß□AfRf“fgf□□lf< fpflf<,©,çf□[fffBfl/fffBfXfvfCfC fhf%oCfo,ðfCf“fXfg□lf<,µ,É,¢,±,Æ,ð,~,·,·,ß,µ,Ü,·□B,Ü,½□AfRf“fgf□□lf< fpflf<,©,çf□[fffBfl/fffBfXfvfCfC fhf %oofCfo,ðí□œ,µ,É,¢,±,Æ,ð,~,·,·,ß,µ,Ü,·□B

Compaq Windows NT Workstation SSD,©,çfRf“fgf□□lf< fpflf<,ðŽg,Á,Ä^È%o²,lfhf %oofCfo,ðfCf“fXfg□lf<□AfAfbfvff□[fg□A,~,æ,N□í□œ,²,Á,«,U,·□B

- 3DLABS.INF 3Dlabs Oxygen GVX1fOf%ftfBfbfNfX fRf“fgf□□lf%o
- AIC78XX.INF □iAdaptec AIC-78xx PCI SCSIfRf“fgf□□lf%o□j
- CPQARRAY.INF □iCompaqAfCfC fRf“fgf□□lf%o□j
- CPQATAPI.INF □iATAPI/IDEfRf“fgf□□lf%o□j
- ELSYNII.INF □iELSA Synergy II□AGLoria Synergy□AGLoria Synergy+□AGLoria-XL□AGLoria-L 3DfOf%ftfBfbfNfX fRf“fgf□□lf%o□j
- FASTSCSI.INF □iCompaq SCSIfRf“fgf□□lf%o□j
- FGL4K.INF □iDiamond Multimedia Fire GL 4000fOf%ftfBfbfNfX fRf“fgf□□lf%o□j
- INTENS 3D.INF (Compaq PowerStorm 600fOf%ftfBfbfNfX fRf“fgf□□lf%o□j
- MGA64.INF □iMatrox MGA Millennium II PCI/Millennium G200 PCI/Millennium G200 AGPfOf%ftfBfbfNfX fRf“fgf□□lf%o□j
- MGA64.INF □iMatrox MGA MillenniumfOf%ftfBfbfNfX fRf“fgf□□lf%o□j
- OEMSETUP.INF □iESS AudioDrivefRf“fgf□□lf%o□ANetFlex-3fRf“fgf□□lf%o□ACompaq Ethernet/Fast Ethernet/Gigabit NetworkfRf“fgf□□lf%o□j
- PBXGDAC.INF (Compaq PowerStorm 300fOf%ftfBfbfNfX fRf“fgf□□lf%o□j

•¼,É□Afhf%oCfo,~,æ,ÑfTf□[fg,³,è,éfhf%oCfo,lfCf“fXfg□lf<,Æí□œ,ì•û-@,ðŽ!,µ,Ä,¢,Ü,·□B

•¼. fhf%oCfo,lfCf“fXfg□lf<,Æí□œ,ì•û-@

•û-@	SCSI	fAfCfC	flfbfgf□□lfN	f□[fffBfl	fffBfXfvfCfC
fZfbfgfAfbfv,©,ç,lfC f“fXfg□lf<	□>	□>	□>	□>	□>
fZfbfgfAfbfv,©,ç,ìí □œ	□~	□~	□>	□>	□>
fRf“fgf□□lf< fpflf<,©,ç,lfCf“fXfg□lf<	□>	□>	□>	□>	□>
fRf“fgf□□lf< fpflf<,©,ç,ìí□œ	□>	□>	□>	□>	□>

{button ïž½Ö~Aiž½iž½iž½iž½,AL(`installing;overview;obtaining',0,`,`')}



SMS, É, æ, é Compaq Windows NT Workstation SSD, ÌŽ © “ ® fCf “ fXfg [f<, Æ fAfbfvff [fg

Microsoft Systems Management Server [SMS] , ðŽg — p, , é, Æ [Afnf%ofCfAf “fg, É ‘î, µ, ÄŠf, [fg
fCf “ fXfg [f<, Ü, ½, ÍŠf, [fg fŠftfÆfbVf... , ðŽÀ [s, Å, «, Ü, [B Compaq Windows NT Workstation
SSD, Ì ‘†, ÌSSDSETUP.PDFftf@fCf<, ðŽg, Ì, Ì [ASMS, ð ‘É, ¶, Å ^ È%º, ÌfCf “ fXfg [f< , , æ, Ñ fŠftfÆfbVf...
fpfbfP [fW, ð [ì [–, , æ, Ñ < N “ ® , Å, «, Ü, [B

SMSfT [fo [ã, É Compaq Windows NT Workstation
SSD, ÌfffBfÆfNfgfŠ, ð [ì [–, , é [è [± [A • K, , [i SMSfT [fo [ã, Ì [fffBfÆfNfgfŠ [‘ ç, Ì [ASmartStart for
Workstations CD [ã, Ì NTSSD, ÌfffBfÆfNfgfŠ, Æ “ ~, ¶, É, , é, © [A, Ü, ½, Í Compaq Windows NT
Workstation SSD, ðŠÜ, pSoftPaq, Å [ì [–, , é, éfffBfÆfNfgfŠ [‘ ç, Æ “ ~, ¶, É, µ, Å, , ¾, ¾, ç [B, ±
, Ì [ì < Æ, ð [³, µ, ŽÀ [s, , é, É, Ì [AfZfbfgfAfbfv fpfbfP [fW, Ì [fvf [pfefB], Ì%º, Ì [fTf [fg, ¾, é, Å, ç, évf
%ºfbfgftfH [f€], Ì [Windows NT (x86) platform], ð ‘ ð, µ, Å, , ¾, ¾, ç [BfŠf, [fg < N “ ® —
p, ÌfpfbfP [fW, ÌfZfbfgfAfbfv, É, Å, ç, Å, Ì [A [wMicrosoft SMS Users Guide [x, ðŽQ [Æ, µ, Å, , ¾, ¾, ç [B

Compaq Windows NT Workstation SSD, ð SMSfT [fo [ã, Ì < x — Lfhf%ofCfu, É ‘u, -
, É, Ì [AZÿ, Ì ‘ [, Ì Žè [±, É [], Å, Å, , ¾, ¾, ç [B

’ [: Compaq Windows NT Workstation SSD, ðŽw ‘è, µ, ½ < x — Lfhf%ofCfu, É Xcopy
, µ [A, » , Ì [Ü, É Žÿ, Ìfpf%of [f ^ , ðŽg — p, µ, Ü, [B
/S - fTfufffBfÆfNfgfŠ, ðŠÜ, p
/H - %ºB, µftf@fCf<, ðŠÜ, p
/K - ‘ ® [< , ð • Ü ‘ ¶ , , é

— á: xcopy D:\NTSSD X:\cpqntssd.100/s/h/k

, ±, ±, ÅD:\NTSSD, Ì [ASmartStart for Workstations CD, æ ‘ } “ ü, ¾, é, ½ CD-ROMfhf%ofCfu-
¾, ÆCD [ã, ÌfffBfÆfNfgfŠ [AX: \, Ì < x — L ~ — [fhf%ofCfu-¾, ðŽì, µ, Å, ç, Ü, [B

fŠftfÆfbVf... /fCf “ fXfg [f<, Å, «, éŠefhf%ofCfo fRf “ f [f “ fg, ÅŽg — p, Å, «, éf [fvfVftf “ , É, Å, ç, Å, Ì [A
%º, Ì • \5, ðŽQ [Æ, µ, Å, , ¾, ¾, ç [B

• 15. fRf “ f [f “ fg, ÌfCf “ fXfg [f<, , æ, Ñ fAfbfvff [fg [ðÆ [

fhf%ofCfo fRf “ f [f “ fg	SMSfCf “ fXfg [f<%ºÅ ” \	SMSfAfbfvff [fg %ºÅ “ \
3Dlabs Oxygen GVX1fOf %ºftfBfbfNfX fRf “ fg [f “ fº	[>	[>
CompaqAfÆfC fRf “ ftfBfMf... fÆ [fVftf “ ft [fefBfŠfefB	[~ (2)	[~ (2)
Compaq Ethernet [AFast Ethernet [A, , æ, ÑGigabitfRf “ fg [f “ [fº	[~	[> (4)
Compaqf [fbfgf [fN fRf “ fg [f “ fº	[~ (1)	[> (3)
Compaq PowerStorm 300fOf %ºftfBfbfNfX fRf “ fg [f “ fº	[>	[> (1)
Compaq PowerStorm 600fOf %ºftfBfbfNfX fRf “ fg [f “ fº	[>	[> (1)
Compaq ProLiantfXfgfÆ [fW	[>	[> (1)

fVfXfef€

Compaq SCSIIfRf"fgf□□[f%o	□>	□>(1)
Compaq SMARTfAfCEfC/SMART-2fAfCEfC/SmartfAfCEfC221fRf"fgf□□[f%o	□>	□>(1)
CompaqVfXfef€ f}flfWf□□"fg	□>	□>
Diamond Multimedia Fire GL 4000fOf%oftfBfbfNfX fRf"fgf□□[f%o	□>	□>(1)
ELSA GLoria-LfOf%oftfBfbfNfX fRf"fgf□□[f%o	□>	□>(1)
ELSA GLoria-XLfOf%oftfBfbfNfX fRf"fgf□□[f%o	□>	□>(1)
ELSA GLoria Synergy/Synergy+fOf%oftfBfbfNfX fRf"fgf□□[f%o	□>	□>(1)
ELSA Synergy IfOf%oftfBfbfNfX fRf"fgf□□[f%o	□>	□>
ESS 1868/1869 AudioDrivefRf"fgf□□[f%o	□>	□>(1)
Matrox Millennium II PCI/Millennium G200 PCI/Millennium G200 AGPfOf %oftfBfbfNfX fRf"fgf□□[f%o	□>	□>(1)
Matrox MGA MillenniumfOf %oftfBfbfNfX fRf"fgf□□[f%o	□>	□>(1)

- (1) fn□[fhfEjFfA,ªCEÿ□o,³,ê□Af\ftfgfEjFfA,ªfCf"fxfg□[f<,³,ê,Ä,ç,Ä□Af\ftfgfEjFfA,lfAfbfvff□[fg,ª•K—v,É□ê□#□B
- (2) ,:,x,Ä,lftf@fCf<,ªSmartStart for Workstations CD,É"ü,Á,Ä,ç,Ü,·□B,±,ê,ç,lfhf %ofCfo,ðfŠftfCEfbfVf...,Ü,½,lfCf"fxfg□[f<,ÅŽg—p,Á,«,Ü,·□B
- (3) 'É□f,lfCf"fxfg□[f< fvf□fZfX't,ÉfCf"fxfg□[f<,µ,Á,,³/4,³,ç□B,±,lfCf"fxfg□[f<,ì□ê□#□Aft□[fU,ì"ü—í,ª•K—v,Á,·□B

'□:fCf"fxfg□[f< ,",æ,ÑfŠftfCEfbfVf... 't,í□A□î•ñfEfBf"fhfE,í•\Ž!,³,ê,Ü,¹,ñ□B,±,ê,í□A□i'»□ó<µ,ð•\Ž!,·,éfo□[,ðfuf%ofEfY,µ,½,è□A•\Ž!,µ,½,è,Á,«,É,ç,Æ,ç,±,Æ,Á,·□B□i<Æ,ª□—CE÷,µ,½,©Ž,"s,µ,½,©,ð'm,ç,¹,éft□[fU fCf"fxfg□[fX,lf□fjYf€,ª,É,ç,½,ß□AZÄ□s□ó<µ,ð<L~^,·,éff□O ftf@fCf<,ª□i□—,³,ê,Ü,·□B,±,lfhf@fCf<,í□ACPQNTSSD.LOG,Æ-¼,Ä,¯,ç,ê□AfCf"fxfg□[f< ,",æ,ÑfŠftfCEfbfVf... ,ð□s,±fRf"fsf...□[f^,l%systemroot%\system32fffBfCEfNfgfŠ,É'u,©,ê,Ü,·□B

- (4) Compaq Ethernet□AFast Ethernet□A,"æ,ÑGigabitfRf"fgf□□[f%o,í□Afo□[fWf#f"4.29.01.0008^È□~,lCompaq Ethernet,"æ,ÑFast EthernetfRf"fgf□□[f%o fhf %ofCfo□AN100NT.SYS,ðŽg—p,µ,Á,ì,ÝfAfbfvff□[fg,Á,«,Ü,·□B

{ button i₂ ½Ö~Ai₂ ½i₂ ½i₂ ½i₂ ½i₂ ½,AL(` installing;obtaining',0,`, `') }



flfbfgf[]fNfx[]fX,lfCf"fxfg[]f<

Compaq Windows NT Workstation SSD,ðflfbfgf[]fN fT[]fo,ì<α—Lfhf%oofCfu,É•Ù'¶,·,é,±,Æ,ª,À,«,·,Ü,·□B,Ü,½□Aflfbfgf[]fN,ðEo—R,μ,ÁfCf"fxfg[]f<,μ,Äf[]fNfXfe[]fVf+¶",ÁŽg—p,Á,«,é,æ,α,É,·,é,±,Æ,à,Á,«,·,Ü,·□B

fRf}f"fh fv[]f"fvfg,©,çCompaq Windows NT Workstation SSD,ð<α—Lfhf %oofCfu,É•Ù'¶,·,é,É,í□A^È%º,ìŽè[]‡,É[]],Á,Ä,,¾,¾,ç□B

1. <α—L-¼,ÉŽg—p,·,éffBfCEfNfgfŠ,ð[]□—,μ,Ü,·□B
2. Compaq Windows NT Workstation SSD,ìftf@fCf< fT[]fo[]ã,É<α—L—ì^æ,ð[]□—,μ,Ü,·□B,½,Æ,ì,í□AZŽ,ì,æ,α,É"ü—í,μ,Ü,·□B
net share <α—L-¼= drive:path [/users ...]
3. ·,±,ì<α—L—ì^æ,ìft[]fU,É"K□Ø,ÉfAfNfZfXCE ,ðŠ,,,è"—,Ä,Ü,·□B
4. xcopyfRf}f"fh,ðŽg—p,μ,Á□AZw'è,μ,½<α—Lfhf%oofCfu,ÉCompaq Windows NT Workstation SSD,ì"à—e,ðfRfs[][,μ,Ü,·□BŽŽ,ìfpf%oof[]f^,ðŽg—p,μ,Á,,¾,¾,ç□B

□E /S - fTfufffBfCEfNfgfŠ,àfRfs[][,·,é
□E /H - %oB,é,½ftf@fCf<,àfRfs[][,·,é
□E /K - ftf@fCf<'@□«,ð•ÚŽ[],·,é

—á: xcopy D:\NTSSD X:\ sharename /s/h/k

,±,±,ÁD:\NTSSD,í□ASmartStart for Workstations CD,ª' }"ü,¾,è,½CD-ROMfhf%oofCfu-¼,ÆCD[]ã,ìffBfCEfNfgfŠ□AX:\,í<α—L~_—[]fhf%oofCfu-¼,ðŽ!,μ,Á,ç,Ü,·□B

ftf@fCf< f}f[]fWff,©,çCompaq Windows NT Workstation SSD,ð<α—Lfhf %oofCfu,ÉŠi"[][,·,é,É,í□A^È%º,ìŽè[]‡,É[]],Á,Ä,,¾,¾,ç□B

1. <α—L,μ,½,çfhf%oofCfu-¼,ð'I'ð,μ,Ü,·□B
2. Compaq Windows NT Workstation SSDf\ftfgfEjFfA,ðfRfs[][,Á,«,éffBfCEfNfgfŠ,ð[]□—,μ,Ü,·□B
3. □□—,μ,½,ì,©,è,ìffBfCEfNfgfŠ-¼,ð<'²•\Ž!,μ,½, ,Æ□Aftf@fCf< f[]ffj...[][,©,ç[fvf[]pfefB],ð'I'ð,μ□Afv[]pfefB,ìf_cfAf[]fO,ð•\Ž!,μ,Ü,·□B,±,ìf_cfAf[]fO,Á[<α—L]f^fu,ð'I'ð,μ,Ü,·□B
4. <α—L-¼,ðŠ,,,è"—,Ä,Ä□Aft[]fU,É□Ý'è,μ,½,çfAfNfZfXCE ,ð□Ý'è,μ□AŠ®—¹,μ,½,ç[OK],ð'I'ð,μ,Ü,·□B
5. DOSfv[]f"fvfg,ª•\Ž!,¾,è,½,ç□AZŽ,ìfpf%oof[]f^,ðŽw'è,μ,½xcopyfRf}f"fh,ðŽg—p,μ,Á□AZw'è,μ,½<α—Lfhf%oofCfu,ÉCompaq Windows NT Workstation SSD,ì"à—e,ðfRfs[][,μ,Ü,·□B

□E /S - fTfufffBfCEfNfgfŠ,àfRfs[][,·,é
□E /H - %oB,é,½ftf@fCf<,àfRfs[][,·,é
□E /K - ftf@fCf<'@□«,ð•ÚŽ[],·,é

—á: xcopy D:\NTSSD X:\ sharename /s/h/k

,±,±,ÁD:\NTSSD,í□ASmartStart for Workstations CD,ª' }"ü,¾,è,½CD-ROMfhf%oofCfu-¼,ÆCD[]ã,ìffBfCEfNfgfŠ□AX:\,í<α—L~_—[]fhf%oofCfu-¼,ðŽ!,μ,Á,ç,Ü,·□B

6. Compaq Ethernet□AFast Ethernet□A, ",æ,ÑGigabitfRf"fgf[]f%º

,íAfo[fWf#“4.29.01.0008^È~ ,ìCompaq Ethernet, ,æ,ÑFast EthernetfRf“fgf[f
%o fhf%ofCfoAN100NT.SYS,đŽg—p,μ,Ä,ì,YfAfbfvff[f,Á,«,Ü,·B

flfbfgf[fN,đEo—R,μ,ÄCompaq Windows NT Workstation
SSD,đf[fNfXfe[fVf#“ ,ÉfCf“fXfg[f<,É,íA^È%oº,ìŽè# ,É],Á,Ä,,¾,¾,çB

1. ŽŸ,ì,æ,æ,É“ü—í,μ,ÄACompaq Windows NT Workstation SSD, ,éflfbfgf[fN<æ—
Lfhf%ofCfu,ÉÚ’±,μ,Ü,·B

net use X: \\servername\sharename

,±,±,ÁAX:,íŽg—p%oÂ“\,Èfhf%ofCfu-¼Aservername,íT[f-¼Asharename,í<æ—
L—í^æ,ì-¼‘O,Ä,·B

2. ŽŸ,ì,æ,æ,É“ü—í,μ,Ä<æ—Lfhf%ofCfu, ©,çfZfbfgfAfbfv,đŽÀ[s,μACompaq Windows NT
Workstation SSD,ífCf“fXfg[f<,đŠ]Žn,μ,Ü,·B
,½,Æ,ì,íAZŸ,ì,æ,æ,É“ü—í,μ,Ü,·B

X:\SETUP

{button ĩž ½Ö~Aĩž ½ĩž ½ĩž ½ĩž ½,AL(` installing;obtaining',0,`,`)}



Compaq Windows NT Workstation SSDfZfbfgfAfbfv fvf fOf%of€ ,lŽg,č•û

Compaq Windows NT Workstation SSD,lfOf%oftfBfjf< ft[fU
fCf“f^ftfF[fX[iGUIj,lfZfbfgfAfbfv,đŽÀ[s,·,é,É,íA`È%º,íŽè[†,É],Á,Ä,,¾,¾,č[B

1. Windows NT Workstation,đ<N“® ,µAŠÇ—
ŽÒ[iAdministratorj,ìĀ ĀÀ,ª ,éfAjjfE“fg,Éf[fOfCf“ ,µ,Û,·[B
2. Compaq Windows NT Workstation SSD,afn[fhfffBfXfN[ã,É,È,·,ê,îASmartStart for
Workstations CD,đCD-ROMfhf%ofCfu,É’}“ü,µ,Û,·[B
3. [fXf^ [fg]fijf... [, © ,ç [ftf@fCf<-¼,đŽw`è,µ,ÄŽÀ[s],đ'l'đ,µ,Û,·[B
4. [ŽQ[Æ],đfNfŠfbfN,µACompaq Windows NT Workstation SSDfZfbfgfAfbfv
ftf@fCf<[iSETUP.EXEj,đ'T,µ,Û,·[B

'[: SmartStart for Workstations CD,Ä,íAX:\NTSSD\SETUP.EXE[iX,íCD-ROMfhf%ofCfu-
¼j,Ä,·[B

5. [OK],đfNfŠfbfN,µ,Û,·[B

fZfbfgfAfbfv,đ<N“® ,·,é,ÆA fZfbfgfAfbfv f[fCf“ fEfBf“fhfE,ª•Ž!,¾,ê,Û,·[B

d—v: Compaq Windows NT Workstation SSD,lfZfbfgfAfbfv,ªŠ®—
¹,µ,½,ç[ACD,đŽæ,è[o,µ,Ä[AfvfXfef€,đfvfffbfjf_fEf“ ,µ,Ä,©,ç[Ä<N“® ,µ,Ä[A[V,µ,čfhf
%ofCfo,đ—LĀø,É,µ,Ä,,¾,¾,č[B

{button iž ½Ö~Aiž ½iž ½iž ½iž ½iž ½,AL(` installing;obtaining;activity;dependencies;using
setup',0,`,`)}}



fjXf^f€,"æ,Ñ, '-fZfbfgfAfbfv,Æ^È'¶ŠÖEW

[-fZfbfgfAfbfv,íA fZfbfgfAfbfv fv fOf%of€,áTf| [fg,·,éRf"f]
|[flf"fg,lfcf"fxfg [f<,"æ,NfAfbfvff [fg,á"ñí,ÉŠÈ'P,É,È,é,æ,x,ÉYÉv,³,è,Ä,ç
,Ü,·B[-fZfbfgfAfbfv,íA"Á'è,ìs-ñðCE,ÉŠî,Ä,ç,ÄA[-fZfbfgfAfbfv,ÁRf"f|[flf"fg,ð·\
Ž!,·,é,©,ç,x,©,ðCE^,ß,Ü,·B'Éí,íA fTf| [fg,³,è,éfn [fhfE fFfA,á¶Y,µA fTfE fFfA fRf"f]
|[flf"fg,áCf"fxfg [f<,³,è,Ä,ç,É,ç,©ACE»sfo [fWf†",Á,É,çê¶A,»|fRf"f]
|[flf"fg,á[-fZfbfgfAfbfv,Á·\Ž!,³,è,Ü,·B

[-fZfbfgfAfbfv,ÁfftfHf<fg,Áf`fFbfN,³,è,È,çRf"f|[flf"fg,íA fZfbfgfAfbfv fE fBf"fhfE,É·\
Ž!,³,è,éRf"f|[flf"fg-¼,ð'í,ð,µ,ÁCf"fxfg [f<,·,é,±
,Æ,á,Á,«,Ü,·B[-fZfbfgfAfbfv,íA¶Y`è_fCfA fO,Æft [fU,ì"ü-í,ðÁ-CEÀ,É,·,é,æ,x
,ÉYÉv,³,è,Ä,ç,Ü,·B,±,í,½,ßA fRf"f|[flf"fg,lfcf"fxfg [f<'t,Éf [Cf" fZfbfgfAfbfv%æ-É,Á·\
Ž!,³,è,é^è" |f_fCfA fO,íA,æ,Ü,çd-v,ÉRf"f|[flf"fg,Á,É,çCEÀ,èA[-fZfbfgfAfbfv%æ-
É,Á,í·\Ž!,³,è,Ü,¹,ñB

fjXf^f€ fZfbfgfAfbfv,Á,íA fZfbfgfAfbfv,ÁTf| [fg,³,è,Ä,ç,éRf"f]
|[flf"fg,ðCE^·É,ÉCf"fxfg [f<A fAfbfvff [fg,Ü,½,ííœ,Á,«,Ü,·B
,Ü,½A fT [fU,áfo [fWf†"í·ñ,ÉŠÖ,·,éRf"f|[flf"fg,íí·ñ,ðŽQÆ,·,é,±,Æ,à,Á,«,Ü,·B

Workstation SSD,ìŠefRf"f|[flf"fg,íA,»,è,¼,è^È'¶ŠÖEW,É, ,éRf"f]
|[flf"fg,ðCf"fxfg [f<,µA fAfbfvff [fg,µ,Ü,·B [-fZfbfgfAfbfv,ÆfRf}f"fhf
%ofCf",©,ç,lfcf"fxfg [f<,Á,íA^È'¶ŠÖEW,É, ,éRf"f|[flf"fg,íŽ©"®"l,ÉCf"fxfg [f<,"æ,Ñ/
,Ü,½,l fAfbfvff [fg,³,èA fJfXf^f€ fZfbfgfAfbfví fCf" fZfbfgfAfbfvj,lfvf"fvfg,á·\Ž!,³,è,Ü,·B

{ button ÿ ½Ö~Aï ½ï ½ï ½ï ½ï ½ï,AL(` using setup;command line',0,`,`')}



□, ' - fZfbfgfAfbfv, iZg, c • û

□, ' - fZfbfgfAfbfv, i□AfVfXfef€□ã, iVfXfef€fRf“f]
□[flf“fg, iAfbfvff□[fg, Ü, ½, iCf“fXfg□[f<, ðŽ© “ @ “ l, ÉŽÀ□s, μ, Ä□A, ±, é, ç, ì□<Æ, ðŠÈ^Ö
%»», μ, Ü, □BfZfbfgfAfbfv fvf□fOf%of€, i□AfVfXfef€□ã, iAfbfvff□[fg, ð•K—v, Æ, , , é, , , x, Ä, iRf“f]
□[flf“fg, ðŽ•É, μ, Ä□AfAfbfvff□[fg, , , é, ©, Ç, x, ©, ð' l' ð, Å, «, é, æ, x, É, μ, Ü, □B, ³, ç, É□AfRf“f]□[flf“fg-
¼□ACE>□YfVfXfef€, ÉfCf“fXfg□[f<, ³, é, Ä, ç, éTf]□[fg f]
ftfgfEfffA□AfRf“fpjbfN, ©, ç“üZè, Å, «, é□V, μ, çTf]□[fg f]
ftfgfEfffA, É, Ç, iCEÄ□X, i□i•ñ, ðŽQ□Æ, Å, «, é, æ, x, Éfo□[fWfj“□i•ñ, ÆCEÄ, î, é, é<@“\, à'Ç
%»A, ³, é, Ü, μ, ½□B

□, ' - fZfbfgfAfbfv, ðŽg—p, , , é, É, i□A^È%»º, iZè□‡, É□], Á, Ä, , ¾, ³, ç□B

1. Compaq Windows NT Workstation SSD, iZfbfgfAfbfv fAfvfŠfP□[fVfj“ , i□fCf“ f□fj...
 □[, Ä□, ' -]f{f^f“ , ð' l' ð, μ, Ü, □B
2. CE»□YfVfXfef€, ÉfCf“fXfg□[f<, ³, é, Ä, ç, éTf]□[fg f]ftfgfEfffA, ², í, ©, ç, È, ç□é□‡□A%»æ-
 È, É•\Z!, ³, é, Ä, ç, éfo□[fWfj“□i•ñ, ðŽg—p, μ, Ä□A^È, iRf“f]□[flf“fg, ðfAfbfvff□[fg, μ, ½, ç
 , ©, Ç, x, ©, ðCE^è, , , é, ±, Æ, ², Ä, «, Ü, □B
3. □X□V]f{f^f“ , ð' l' ð, , , é, Æ□AfZfbfgfAfbfv fAfvfŠfP□[fVfj“ , í•K—v, È, , , x, Ä, iRf“f]
 □[flf“fg, ðŽ© “ @ “ l, ÉfAfbfvff□[fg, μ, Ü, □B



1. fZfbfgfAfbfv,lfCfAf f{fbfNfX

fZfbfgfAfbfv,lfCfAf

f{fbfNfX,É,íAfZfbfgfAfbfv,afCf“fXfg[]f[]AfAfbfvff[]fg[]A,Ü,½,í[]í[]œ,·,é•K—v,ª, ,é,Æ
 ”»'f,·,éfRf“f[]f[]fg,ª•\Z!,³,é,Ü,·[]B[],,[]\$“@[]ì,ðCE^'è,·,é,½,ß,ÉfZfbfgfAfbfv,İŽŸ,ì,æ,æ
 ,Éf[]fWfbfN,ðŽg—p,µ,Ü,·[]B

6. fZfbfgfAfbfv,lfCf“fXfg[]f[]fWfbfN

fhf%oCfo	fn[]f[]fhfEjFA fRf“f[]f[]f[]fg	f\ ftfgfEjFAjRf “f[]f[]f[]fg	fZfbfgfAfbfv,ª [],,[]\$,·,é“@[]ì
fCf“fXfg[]f<,³, è,Ä,ç,È,ç	œÿ[]o,³,è,½	N/A	fhf %oCfo,ðfCf“fXfg []f<,·,é
fCf“fXfg[]f<,³, è,Ä,ç ,é,ª[]Å[]Vfo[]f Wf†f“,Ä,ì,È,ç []iœ»[]sfo[]f Wf†f“,Ä,ì,È,ç []j	œÿ[]o,³,è,½	N/A	fhf %oCfo,ðfAfbfvff []fg,·,é
N/A	N/A	fCf“fXfg[]f<,³, è,Ä,ç,È,ç	f\ ftfgfEjFA,ðfCf“f Xfg[]f<,·,é
N/A	N/A	fCf“fXfg[]f<,³, è,Ä,ç ,é,ª[]Å[]Vfo[]f Wf†f“,Ä,ì,È,ç[] œ»[]sfo[]fWf† f“,Ä,ì,È,ç[]j	f\ ftfgfEjFA,ðfAfbf vff[]fg,·,é

ŽŸ,ÉŽì,·,æ,æ,É[]A[],'—fZfbfgfAfbfv,í[]í[]ffBfì,“,æ,Ñfrfffi
 fffofCfX,ðœÿ[]o,µ,Ä[]AZŸ,ì†,©,çSY“—,·,éfhf%oCfo,ðfCf“fXfg[]f<,µ,Ü,·[]B

'[]: fZfbfgfAfbfv fAfvfŠfP[]fVf†f“,ªfvfXfef€[]ã,Äœ»[]ÝfCf“fXfg[]f<,³,è,Ä,ç
 ,È,çfRf“fgf[]f%[]A,Ü,½,lfAfbfvff[]fg,ð•K—v,Æ,·,éfAf_fvf^,ðœÿ[]o,·,é,Æ[]A%
 j,Éf^fFfbfNf}[]fN,ð•t,~,½,±,è,ç,lfhf%oCfo,lfŠfXfg,ª•\
 Žì,³,é,Ü,·[]BfAfbfvff[]fg,ð†Ž~,·,é,É,í[]Af^fFfbfNf}[]fN
 f{fbfNfX,ðf_fuf<fNfŠfbfN,µ,ÄfŠfXfg,É•\Z!,³,è,Ä,ç,é•i—Ü,ì'ì'ð,ð%ð[]œ,µ,Ü,·[]B

4. fvf[]fOf%of€,ð[]—¹,µ,Ü,·[]B[],'—fZfbfgfAfbfv,Ä[]AfRf“f[]f[]f[]fg,ð'g,Ý[]ž,Ý[]X[]V/
 []í[]œ,·,é,Æ[]A[],'—fZfbfgfAfbfv,í[]AfZfbfgfAfbfv f[]fCf“ fEfBf“fhfE,É—ß,è,Ü,·[]BjffXf^f€
 fZfbfgfAfbfv,©,ç[]—¹],ðfNfŠfbfN,µ,Ü,·[]B

'[]: [],'—fZfbfgfAfbfv,Ä%½,à•ï[]X,µ,È,ç,Ä[]AfZfbfgfAfbfv f[]fCf“ fEfBf“fhfE,É—
 ß,è,½,ç[]è[]†,í[]A[]f[]fff“fZf<f{f^f“,ð'ì'ð,µ,Ü,·[]B

5. fffBfXfPfbfg fhf%oCfu,©,çfZfbfgfAfbfv,ðŽÀ[]s,µ,Ä,ç,é[]è[]†[]ACompaq Windows NT
 Workstation SSD,ðfffBfXfPfbfg fhf%oCfu,©,çŽæ,è[]o,µ,ÄWindows NT
 Workstation,ðfvfffbfgf_fEf“,µ,½, ,Æ[]AfVfXfef€,ð[]Ä<N“@,µ,Äfhf
 %oCfo,ðf[][]fh,µ,Ü,·[]B

{ button ÿ ½Ö~Äi½i½i½i½i½i½,AL(` obtaining;using setup;express',0,`, `')}



□, ' - fZfbfgfAfbfv, ÉŠÖ, ., é' □ ^ Ó

fZfbfgfAfbfv - □, ' - fZfbfgfAfbfv%œ-É

fZfbfgfAfbfv fAvfŠfP□[fvf†f“, □AHAL□C•œflfvfVf†f“, ÆCompaqfAfcfc fRf“ftfBfMf...fC□[fvf†f“ ft□[fefBfŠfefB, ðœ, ç, ÄVfXfef€“à, É, , éSefn□[fhfEfcfAfcf“f□[flf“fg, Ì□V, μ, çfhf %ofCfo, ðfcf“fXfg□[f<, , é, ©□A, Û, ½, ÍfAfbfvff□[fg, μ, Û, □B

—pŽ—, ., éfAf_fvf^, ÍfAfbvff□[fg

fZfbfgfAfbfv fAvfŠfP□[fvf†f“, □A““^êf^fcfv, Ì, ., x, Ä, ÍfAfbfgf□□[fN fRf“fgf□□[f%œ, Ífhf %ofCfo, ðfAfbvff□[fg, ., é, ½, ß, É□AlfZfbfgfAfbfv - □, ' - g, Y□ž, Y]fEfBf“fhfE, É1CEÄ, ÍfAfbfgf□□[fN fhf %ofCfo flfvfVf†f“, ð•ZÌ, μ, Û, □B, ½, Æ, Í, Í□AfZfbfgfAfbfv, Í□AfVfXfef€, Éfcf“fXfg□[f<, ^, é, Ä, ç , éSeCompaq Netelligent/NetFlex-3fRf“fgf□□[f%œ—p, ÌCompaq Netelligent/NetFlex-3fRf“fgf□□[f %œ fhf%ofCfo, ðfAfbvff□[fg, μ, Û, □B

fZfbfgfAfbfv - fAfNfefBfrfefB fCefl□[fg

fZfbfgfAfbfv fAvfŠfP□[fvf†f“, ÍfAfNfefBfrfefB fCefl □[fg, Í□AfZfbfgfAfbfv†, É□s, í, é, ½, ., x, Ä, Í•Í□X, ðfcf|□[fg, μ, Û, □BfVfXfef€, É•Í□X, ð %œÄ, Í, Ä□ASù‘¶, Íftf@fcf<-¼, ÄfAfNfefBfrfefB fCefl □[fg, ðftf@fcf<, É•Û‘¶, ., é□é□#□AfZfbfgfAfbfv, Í□V, μ, çfAfNfefBfrfefB fCefl □[fg, ðfVfXfef€□ä, ÍSù‘¶, ÍfAfNfefBfrfefB fCefl□[fg, É‘Ç%œÄ, μ, Û, □B, ±, Ì, æ, x, ÉŠù‘¶, Íftf@fcf<, É‘Ç %œÄ, ., é, ±, Æ, Í—~“_ , Í□Aft□[fU, ^•Í□X, Í—š—ð, ðžQ□Æ, Ä, «, é“_ , É, , è, Û, □B□V, μ, çftf@fcf<- ¼, ÄfAfNfefBfrfefB fCefl□[fg, ð□□—, μ, æ, x, Æ, ., é, Æ□AfZfbfgfAfbfv, Í□A□V, ½, É•Í□X, ¾, ~, ðSÜ, pf□fo ftf@fcf<, ð□□—, μ, Û, □B

ProLiantfXfgfC□[fW fvXfef€

Compaq SCStfRf“fgf□□[f%œ, Ífhf %ofCfo, ^□A□, ' - fZfbfgfAfbfv, ðŽÄ□s, ., é‘O, ÉŠù, Éfcf“fXfg□[f<, ^, é, Ä, ç , É, ç□é□#□AProLiantfXfgfC□[fW fvXfef€, Í□, ' - fZfbfgfAfbfv, ÄCEÿ□o, ^, é, , □AProLiantfXfgfC□[fW fvXfef€ fhf%ofCfo, Í□Afcf“fXfg□[f<, ^, é, Û, ^, ñ□B, ±, Í□é□#□AfVfXfef€ , ð□Ä<N“@ , μ, Ä, ©, ç□A□, ' - fZfbfgfAfbfv, ð, à, x^è“xŽÄ□s, μ, Ä, , ¾, ^, ç□B, » , x , ., é, Í□AProLiantfXfgfC□[fW fvXfef€, ^CEÿ□o, ^, é, é, ©□A, Û, ½, ÍfjXf^f€ fZfbfgfAfbfv, ðŽÄ□s, μ, Äfhf %ofCfo, ðŽè“@ , Äfcf“fXfg□[f<, Ä, «, Û, □B□U, μ, , Í□A□, ' - fZfbfgfAfbfv, Ížg, ç•Û, Û, ½, ÍfZfbfgfAfbfv f□[fcf“ fEfBf“fhfE, Ížg, ç•Û, ðžQ□Æ, μ, Ä, , ¾, ^, ç□B

fVf†□[fgf]fbfg fL□

f□fj...□[fo□[, , æ, Ñf_fCfAfcf□fo f{fbfNfX, ÍfVf†□[fgf]fbfg fL□[, ðžg, Í, Í□Af^fXfN, ð, æ, è‘—, - ŽÄ□s, Ä, «, Û, □B^É%œ°, ÍfVf†□[fgf]fbfg fL□[, ^žg—p, Ä, «, Û, □B

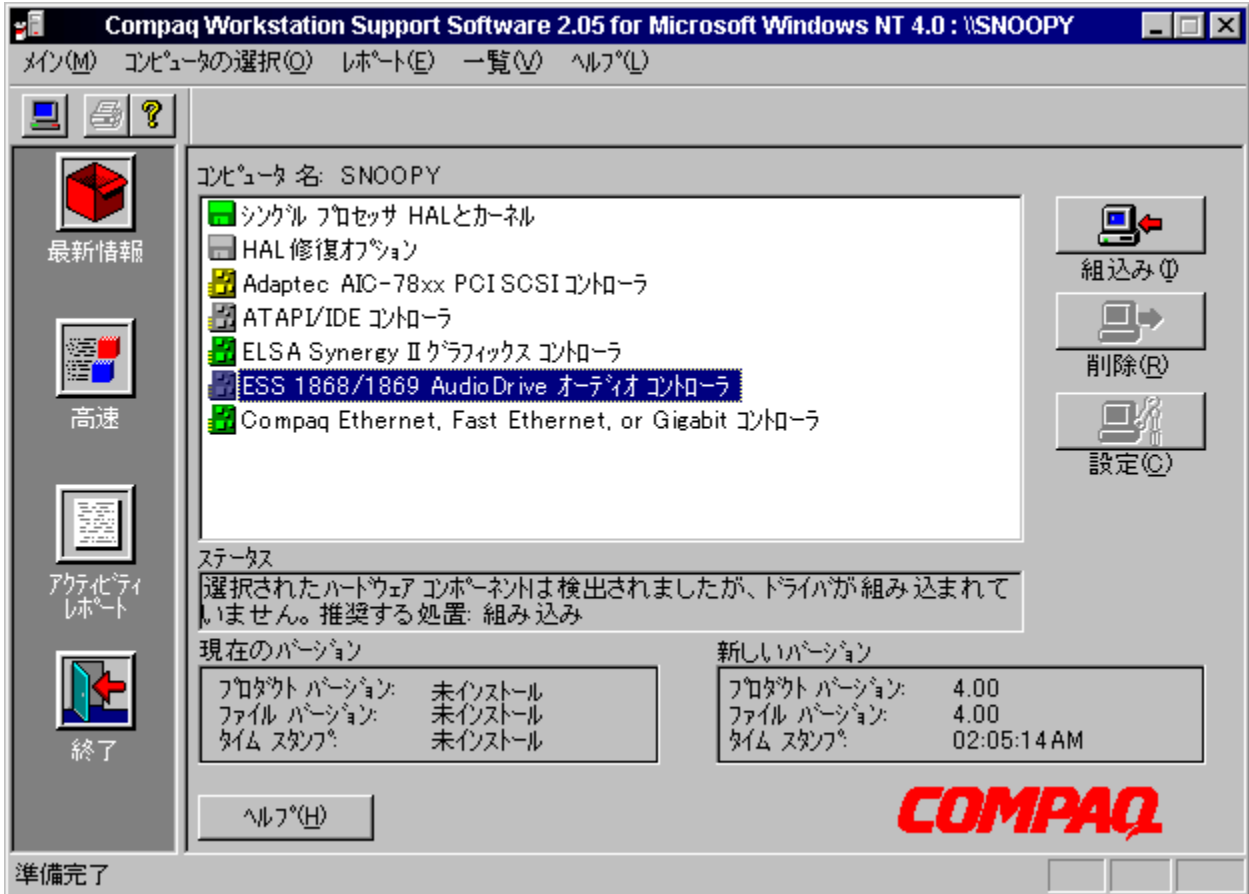
- ALT-C fLfff“fZf<
- ALT-U fAfbvff□[fg
- ALT-H fwf<fv

{button İž ½Ö~Äiž ½iž ½iž ½iž ½iž ½, AL(`obtaining;using setup;dependencies',0,`, `')}



fZfbfgfAfbfv f[]fCf" fEfBf"fhfE,lžg,¢•û

fZfbfgfAfbfv f[]fCf" fEfBf"fhfE,l[]AfZfbfgfAfbfv,l't[]S,Æ,È,é%œ-Ê,Å,·[]B
%œ°,l[]}2,l[]AfZfbfgfAfbfv,δ<N" @,μ,½'¼CEã,l%œ-Ê,δž!,μ,Å,¢,Û,·[]B



[] 2. fZfbfgfAfbfv2.04fOf%œftfBfjf< ft[]fU fCf" f^ftfF[]fX f[]fCf" %œ-Ê

'[]: f[]fCf" fZfbfgfAfbfv,ÆfjfXf^f€ fZfbfgfAfbfv,l[]A"~,[]fZfbfgfAfbfv fvf[]fOf%œf€
,Å,·[]B[]V,μ,¢GUI,Å[]Å%œ,l%œ-Ê,l[]fCf" fZfbfgfAfbfv%œ-Ê,Å,·,ª[]A,±,ê,l[]fXf^f€
fZfbfgfAfbfv,l%œ-Ê,Å,·[]B

f[]fCf" fZfbfgfAfbfv,l[]fVfVfj"'

[]}2,l[]f[]fCf" fZfbfgfAfbfv fEfBf"fhfE,Å,l[]A,¢,,Å,©,l[]fVfVfj",δ'l'δ,Å,«,Û,·[]B%œ-Ê,l[]f[]x
,É,l[]fVfVfj" f{f^f",ª,è[]A,³,Û,´,Û,Éf[]fCf" <@"\,δžg-p,Å,«,Û,·[]B,±,ê,¢,l[]fVfVfj",É,l[]A^É
%œ°,l,à,l,ª,è,Û,·[]B

[]E []Å[]V[]i.ñ - []Å[]V[]i.ñl[]fVfVfj",Å,l[]ACE»[]Y,l[]fSfS[]fX,l[]fZfbfgfAfbfv,ÉCEÅ-L,l"Åžê<@"\[]A'¢
%œA<@"\,ª,æ,N%œü'P<@"\,δžQ[]Æ,Å,«,Û,·[]B

[]E []' - [],' -l[]fVfVfj",Å,l[]A[]Å[]-CEÀ,l[]ft[]fU"ü-í,ÅfZfbfgfAfbfv fRf"[]fj
[]l[]f"fg,δfCf" fXfg[]f<,"æ,NfAfbfvff[]fg,Å,«,Û,·[]B[],' -fZfbfgfAfbfv,l[]AfZfbfgfAfbfv"à,Å'è<,"ª,
è,½f[]fWfbfjN,ÉSÍ,Å,¢,Å[]fCf" fXfg[]f<,"æ,NfAfbfvff[]fg,É•K-v,ÉfRf"[]fj

□[f]f“fg,đž˘•É,μ,Ü,·□BfRf“f□[f]f“fg,í1%ñ,lfvf□fZfX,ÅfAfbfvff□[fg,Ü,½,ÍfCf“fXfg□[f<,³,é,Ü,·□B

□E [fAfNfefBfrfefB fCef□\[fg](#) - fAfNfefBfrfefB fCef□[fg
f]fvfVf#“ ,Á,í□AfZfbfVf#“‘†,É•í□X,³,é,½fZfbfgfAfbfv fRf“f□[f]f“fg,ì•í□X—š—
đ,đžQ□Æ,Á,«„Ü,·□BfAfNfefBfrfefB fCef□[fg,í□A•Ü‘¶,“ ,æ,N^ó□ü,Á,«„Ü,·□B,±,ì@“\,lfvXfef€É,
%oA,ì,ç,é,½fn□[fhfEfffA,“ ,æ,NfvtfgfEfffA,ì•í□X,ì—š—đ,đ’~□í,·,é□è□#,É•Ö—~ ,Á,·□B

□E □I—¹ - □I—¹f]fvfVf#“ ,đžg,Á,Ä□AfZfbfgfAfbfv,đ□I—¹,μ,Ä□AWindows NT Workstation,É-ß,é,±
,Æ,²,Á,«„Ü,·□BfVfXfef€,í□Ä·N“@ ,²•K—v,É•í□X,²□s,í,é,½□è□#,í□AfVfXfef€
,í□Ä·N“@f]fvfVf#“ ,²•Vž,³,é,Ü,·□B

fRf“f□[f]f“fg,ì•í□Xf]fvfVf#“

□}1,lf□fCf“ fZfbfgfAfbfv fEfbf“fhfE,Á□A%æ-É,ì%oE‘α,É,í□ACE»□Ý,lfvXfef€,Ážg—
p,Á,«„éZfbfgfAfbfv fRf“f□[f]f“fg,²•Vž,³,é,Ü,·□B•Vž,³,é,éRf“f□[f]f“fg,í□AfZfbfgfAfbfv,ÁfTf|
□[fg,³,é,éfn□[fhfEfffA fRf“f□[f]f“fg,ÆfvtfgfEfffA fRf“f□[f]f“fg,Á□□-³,é,Á,ç,Ü,·□BSeRf“f|
□[f]f“fg,ì%o; ,É,í□Af]f%□[,lfXfe□[f^fX fAfCfRf“ ,²•Vž,³,é□AfRf“f|
□[f]f“fg,íCE»□Y,lfXfe□[f^fX,đžì,μ,Ü,·□B•Vž,³,é,éRf“f□[f]f“fg,lfXfe□[f^fX,í^è%o,ì,Æ,“ ,è,Á,·□B

□E fOfCefC,lfAfCfRf“ ,í□ACE»□ÝfRf“f□[f]f“fg,²fCf“fXfg□[f<,³,é,Ä,ç,È,ç,±
,Æ,đžì,μ,Ü,·□BfZfbfgfAfbfv,lfhf%ofCfo,lfCf“fXfg□[f<,đ□,□s,μ,Ü,·□B

□E %o©□F,lfAfCfRf“ ,í□AfVfXfef€□à,Éfn□[fhfEfffA fRf“f□[f]f“fg,²fCf“fXfg□[f<,³,é,Ä,ç,é,²□Afhf
%ofCfo,²□Ä□Vfo□[fWf#“ ,Á,ì,É,ç,±,Æ,đžì,μ,Ü,·□BfZfbfgfAfbfv,í□Afhf
%ofCfo,lfAfbfvff□[fg,đ□,□s,μ,Ü,·□B

□E —í□F,lfAfCfRf“ ,í□AfVfXfef€□à,Éfn□[fhfEfffA fRf“f□[f]f“fg,²fCf“fXfg□[f<,³,é,Ä,ç,Ä□Afhf
%ofCfo,²CE»□sfo□[fWf#“ ,lfhf%ofCfo,Á ,é,±,Æ,đžì,μ,Ü,·□BfZfbfgfAfbfv,í□A%½,ì^€□ì,à,μ,È,ç
,±,Æ,đ□,□s,μ,Ü,·□B

^È%o,ì□à-¾,ì,Æ,“ ,è□AfAfCfRf“ ,íCE`□ó,í□AfRf“f□[f]f“fg,ìžì—p,đžì,μ,Ü,·□B

■ fAf_fvf^ ,ìCE` ,lfAfCfRf“ ,í□A‘Á`è,lfn□[fhfEfffA fRf“f□[f]f“fg,lfhf%ofCfo,đžì,μ,Ü,·□B

■ fffBfXfPfbfg,ìCE` ,lfAfCfRf“ ,í□A‘Á`è,lfAfvfŠfP□[fVf#“ ,Ü,½,ì^è”É”I,ÉfvtfgfEfffA,É,Ç,lfvtfgfEfffA
fRf“f□[f]f“fg,đžì,μ,Ü,·□B,±,lfRf“f□[f]f“fg,í□Afn□[fhfEfffA,É`É‘¶,·,é□è□#,Æ^É‘¶,μ,È,ç□è□#,² ,è,Ü,
·□B

fn□[fhfEfffA fRf“f□[f]f“fg,ì•í□X

fn□[fhfEfffA fRf“f□[f]f“fg,í□A‘É□í□Afn□[fhfEfffA fRf“f□[f]f“fg,Æ,±,é,ÉŠÖ~A,·,éfhf%ofCfo,đ•
,μ,Ü,·□BSSD,ÁfTf|□[fg,³,é,éfn□[fhfEfffA fRf“f□[f]f“fg,í^È%o,ì,Æ,“ ,è,Á,·□B

- E [Adaptec AIC-78xx PCI SCSIfRf“fgf□□\[f%o](#)
- E [Compaq SMARTfAfCefC/SMART-2fAfCefC/SmartfAfCefC221fRf“fgf□□\[f%o](#)
- E [ATAPI/IDEfRf“fgf□□\[f%o](#)
- E [Compaq Ethernet/Fast Ethernet/Gigabit fRf“fgf□□\[f%o](#)
- E [Compaq Netelligent/NetFlex-3fRf“fgf□□\[f%o](#)
- E [Compaq PowerStorm 300fOf%oftfBfbfNfX fRf“fgf□□\[f%o](#)
- E [Compaq PowerStorm 600fOf%oftfBfbfNfX fRf“fgf□□\[f%o](#)
- E [Compaq ProLiantfXfgfC□\[fW fVfXfef€](#)
- E [Compaq SCSIfRf“fgf□□\[f%o](#)
- E [Diamond Multimedia Fire GL 4000fOf%oftfBfbfNfX fRf“fgf□□\[f%o](#)
- E [ELSA GLoria-L 3DfOf%oftfBfbfNfX fRf“fgf□□\[f%o](#)
- E [ELSA GLoria-XL 3DfOf%oftfBfbfNfX fRf“fgf□□\[f%o](#)
- E [ELSA GLoria Synergy 3DfOf%oftfBfbfNfX fRf“fgf□□\[f%o](#)
- E [ELSA GLoria Synergy+ 3DfOf%oftfBfbfNfX fRf“fgf□□\[f%o](#)
- E [ESSf□\[fffBfl fhf%ofCfo](#)

- ☐E [Matrox Millennium II PCI/Millennium G200 PCI/Millennium G200 AGP](#)
- ☐E [Matrox MGA Millennium](#)

☐ä<L,lfñ☐[fhfEjFfA fRf“f]☐[flf“fg,í☐AfZfbfgfAfbfv,ì☐%Šú
 %»t,É☐s,í,ê,éfZfbfgfAfbfv,É,æ,é☐Y☐o,ÉŠî,Á,ç,Ä,ç,Ü,·☐BfZfbfgfAfbfv,ÁfTfj
 ☐[fg,³,ê,éfn☐[fhfEjFfA,ª,É,ç☐ê☐#☐Afn☐[fhfEjFfA fRf“f]☐[flf“fg,í•\
 Ž,³,ê,Ü,¹,ñ☐B,½,Æ,ì,í☐A☐} 2,Á,í☐AfVfXfef€,É,ÍŽÝ,lfñ☐[fhfEjFfA fRf“f]☐[flf“fg,ªfCf“fXfg☐[f<,³,ê,Ä,ç
 ,Ü,·☐B,·,É,í,¿☐ACompaq Fast SCSI-2fRf“fgf☐☐[f%o,ÆCompaq NetFlex-3fRf“fgf☐☐[f%o
 ,Á,·☐BfffBfXfvfCfC,É•Ž,³,ê,½fn☐[fhfEjFfA fRf“f]☐[flf“fg,É’í%ž,·,éfhf
 %ofCfo,đfCf“fXfg☐[f<☐AfAfbfvff☐[fg,“æ,N☐í☐œ,·,éflfvfVf#f“‘đ’l’đ,Á,«,Ü,·☐BCompaq NetFlex-
 3fRf“fgf☐☐[f%o,l,æ,æ,É“Á’è,lfñ☐[fhfEjFfA fRf“f]☐[flf“fg,É%oÁ,ì,Ä☐A“Á’è,lfñ☐[fhfEjFfA fRf“f]
 ☐[flf“fg’@☐«,đ•í☐X,·,é,±,Æ,à,Á,«,Ü,·☐B

Compaq Netelligent/NetFlex-3fRf“fgf☐☐[f%o,ì☐Y’è,ì☐V%oæ-É,“æ,Ñ☐V<K,É
 %oÁ,ì,ç,ê,½flfvfVf#f“,É,Á,ç,Ä,í☐ACompaq Netelligent/NetFlex-3fRf“fgf☐☐[f%o,ìfRf“ftfBfMf...
 fC☐[fVf#f“,đŽQ☐Æ,μ,Á,,¾,¾,ç☐B

f\ftfgfEjFfA fRf“f]☐[flf“fg,ì•í☐X

f\ftfgfEjFfA fRf“f]☐[flf“fg,í☐A’É☐í☐AfAfvfŠfP☐[fVf#f“,ìftfH☐[f€,Ü,½,ìf\ftfgfEjFfA,ì`è`É`i,ÈCÉ` ,đ•\
 ,fRf“f]☐[flf“fg,Á,·☐B ,±,ìfRf“f]
 ☐[flf“fg,í☐Afn☐[fhfEjFfA,É`É`¶,·,é☐ê☐# ,Æ`É`¶,μ,È,ç☐ê☐# ,ª, ,è,Ü,·☐BCompaq Windows NT
 Workstation SSD,ÁfTfj☐[fg,³,ê,é\ftfgfEjFfA fRf“f]☐[flf“fg,ì`É%oª,ì,Æ,“ ,è,Á,·☐B

- ☐E [Compaq AfCfC fRf“ftfBfMf...fC☐\[fVf#f“ ft☐\[fefBŠfefB](#)
- ☐E [Compaq VfXfef€ f}flfWf☐f“fg fhf%ofCfo](#)

f☐fCf“ fEjBf“fhfE,Éf\ftfgfEjFfA fRf“f]☐[flf“fg,ª•Ž,³,ê,é,©,Ç,æ,©,í☐A,» ,é,ª“Á’è,ìfVfXfef€
 ,ÉfCf“fXfg☐[f<,³,ê,Ä,ç,é,©,Ç,æ,©,É,æ,Á,ÁCÉ^ ,Ü,è,Ü,·☐B,±,ì☐đC☐,í☐A“Á’è,ìf\ftfgfEjFfA fRf“f]
 ☐[flf“fg,¾, ,ª“Á’è,ìfVfXfef€,ÉfCf“fXfg☐[f<,Á,« ,é☐ê☐# ,É”☐¶,μ,Ü,·☐BCompaq AfCfC fRf“ftfBfMf...
 fC☐[fVf#f“ ft☐[fefBŠfefB,ª,» ,ì—Ç,ç—á,Á,·☐BCompaq AfCfC fRf“ftfBfMf...fC☐[fVf#f“
 ft☐[fefBŠfefB,í☐AfRf“fpfbfN,ìfAfCfC fRf“fgf☐☐[f%o,ªfvfXfef€☐ã,ÉCÉY☐o,³,ê,é☐ê☐# ,ÉfZfbfgfAfbfv
 fv☐fOf%of€,ÁfCf“fXfg☐[f<,Á,« ,Ü,·☐B,» ,ì¼,ì☐ê☐# ,í☐A,±,ìf\ftfgfEjFfA fRf“f]☐[flf“fg,ìf☐fCf“
 fEjBf“fhfE,É•Ž,³,ê,Ü,¹,ñ☐Bf\ftfgfEjFfA fRf“f]☐[flf“fg,É,Á,ç
 ,Á,í☐AfCf“fXfg☐[f<☐AfAfbfvff☐[fgA☐í☐œ,“æ,N☐Y’è,·,éflfvfVf#f“‘l’đ,ª, ,è,Ü,·☐B,¾,ç,Éft☐[fU,í☐»•i,“
 æ,Ñftf@fCf<,ìfo☐[fWf#f“☐í•ñ,É,Ç,ìf\ftfgfEjFfA fRf“f]☐[flf“fg,ÉŠÖ,·,é“Á’è,ì☐í•ñ,đŽQ☐Æ,Á,« ,Ü,·☐B

☐,‘-fZfbfgfAfbfv,ìŽg,ç•ú,đŽQ☐Æ,μ,Á☐AfZfbfgfAfbfv,ÁCÉY☐o,³,ê,½•K—v,ÈfRf“f]☐[flf“fg,đ,²Žg—
 p,ìfVfXfef€,ÉfCf“fXfg☐[f<,Ü,½,ìfAfbfvff☐[fg,μ,Á,,¾,¾,ç☐B

{button ìž ½Ö~Aiž ½iž ½iž ½iž ½iž ½,AL(`obtaining;using setup;custom',0,`,`')}



fZfbfgfAfbfv fCf" fEfBf"fhfE,ÉŠÖ,.,é' ^ Ó

fo [fWf] "i • ñ

- ☐E fZfbfgfAfbfv, ìfCf" %æ-Ê, Æ, ' -fZfbfgfAfbfv %æ-Ê, ÅTf [fg fftfgfEfFfA, ìfo [fWf] "i • ñ, ð - ~ -p, Å, «, Ü, · ☐B, ±, ìi • ñ, É, í☐A » • i, ìfo [fWf] " " Ô + ☐Aftf@fCf<, ìfo [fWf] " ☐A, ", æ, ÑfCf" fXfg [f<, ³, ê, ½ftf@fCf<, ìf ^fCf€ fXf^f"fv, ^a, , è, Ü, · ☐B
- ☐E fZfbfgfAfbfv, ^a☐Afrf" fpfbfN^ÈŠÖ, ìhf%ofCfo, ^afCf" fXfg [f<, ³, ê, Ä, ç, é, ì, ðÇÿ☐o, µ, ½☐ê☐☐A [fo [fWf] "i • ñ] f{fbfNfX, É[N/A], Æ • \Ž, ³, è, Ü, · ☐B

fVf [fg]fbfg fL

f☐fj... [fo [, , æ, ÑfCfAf☐fo f{fbfNfX, ìVf☐ [fg]fbfg fL [, ðŽg, ì, î☐Af^fXfN, ð, æ, è' - , - ZÅ☐s, Å, «, Ü, · ☐B ^È%^o, ìVf☐ [fg]fbfg fL [, ^aŽg - p, Å, «, Ü, · ☐B

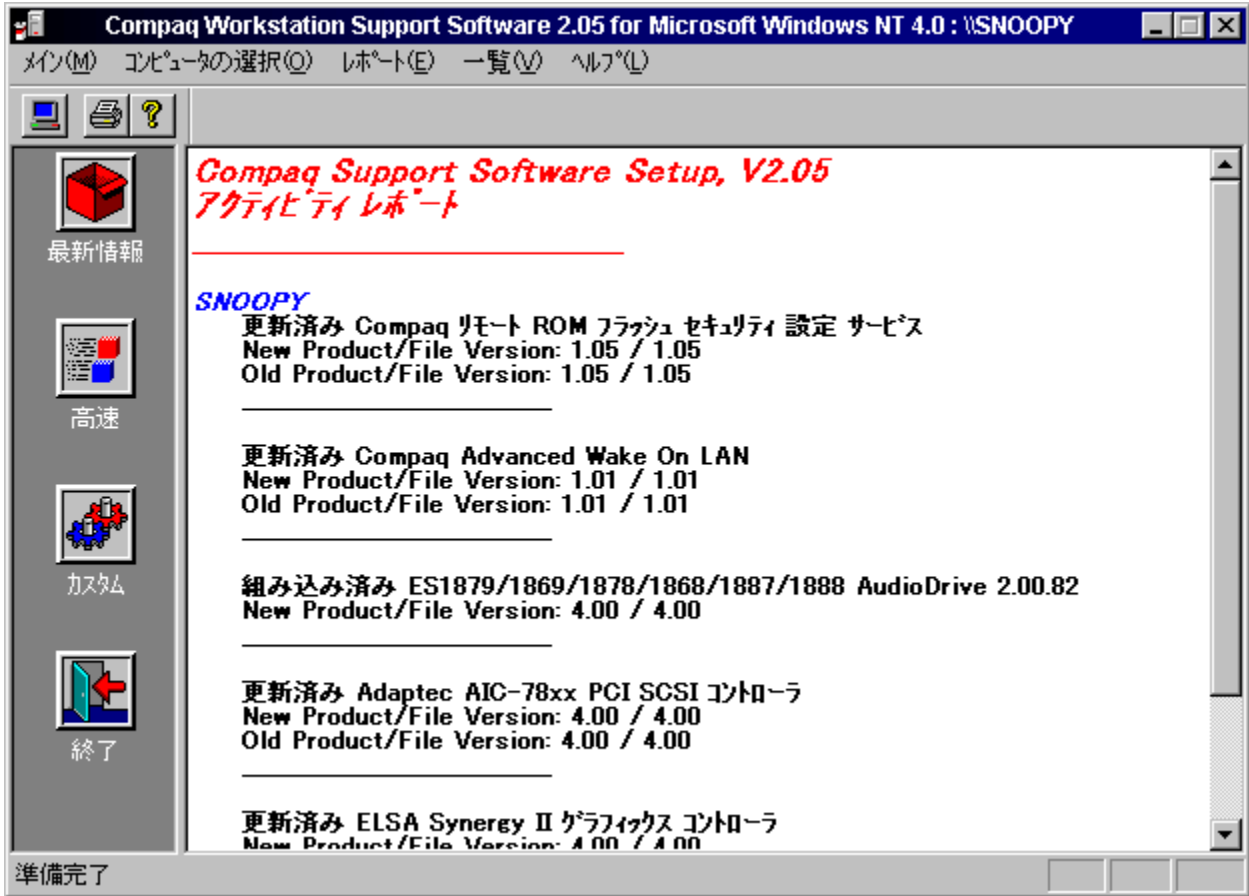
- ALT-C fRf"ftfBfMf...f☐ [fVf] "
- ALT-I fCf" fXfg [f<
- ALT-P fAfbfvff [fg
- ALT-R í☐œ

{button ì; ½Ö~Aï; ½ï; ½ï; ½ï; ½, AL(`obtaining;using setup;dependencies',0,`,`')}



fAfNfefBfrfefB fCEf|[]fg,İŽg,¢•û

fAfNfefBfrfefB fCEf|[]fg flfvfVfj“ ,đŽg,Á,Ä[]AfZfbfgfAfbfv’t,É•İ[]X,³,ê,½fZfbfgfAfbfv fRf“f|
 []flf“fg,İ•İ[]X,đŽQ[]Æ,Ä,«,Ü,·[]BfAfNfefBfrfefB fCEf|[]fg,İ[]AfCf“fXfg[]f<[]A[]İ[]œ[]Af|fbfgf[][]fN
 fZfbfgfAfbfv,“,æ,ÑfAfbfvff[]fg,ÉŠÖ,·,é[]İ•ñ,¾,¯,đŽÜ[]W,μ,Ü,·[]BCEÄ[]X,lfhf
 %oCfo,lfCf“fXfg[]f<’t,ÉCEÄ,Ñ[]o,³,ê,½fZfbfgfAfbfv fvf[]fOf%o€f,İŽÄ[]sCE<%oÉ,İ[]AfCEf|
 []fg,É<L~^,³,ê,Ü,¹,ñ[]BfAfNfefBfrfefB fCEf|[]fg,İ[]A•Ü’[]μ,½,è[]A’Ç%oÁ•Ü’[]μ,½,è[]A^ó[]ü,·,é,±
 ,Æ,ª,Á,«,Ü,·[]B,±,İ<@“\,İ[]AfVfXfef€,É’İ,μ,ÄŽÄ[]s,³,ê,½fn[]f[hfEjFfA,“,æ,Ñf|ftgfEjFfA,İ•İ[]X,İ—š—
 ð,ð’~[]İ,·,é[]è[]ž,É•Ö—~,Ä,·[]B%o°,İ[]}3,İfAfNfefBfrfefB fCEf|[]fg,İ—á,Á,·[]B



[] } 3. fAfNfefBfrfefB fCEf|[]fg

fVfXfef€,İ•İ[]X,ð[]s,¢[]A,»,İfAfNfefBfrfefB fCEf|[]fg,ð,·,Á,É’[]Y,μ,Ä,¢,éAfNfefBfrfefB fCEf|[]fg
 ftf@fCf<,É•Ü’[]μ,·,é,æ,x,ÉŽw’è,μ,½[]è[]ž,İ[]A[]V,μ,¢fAfNfefBfrfefB fCEf|[]fg,ª’Ç
 %oÁ•Ü’[]μ,³,ê,Ü,·[]B’Ç%oÁ•Ü’[]μ,½[]è[]ž,İ[]AfVfXfef€,É’İ,μ,Ä[]s,Á,½•İ[]X,İ—š—ð,đŽQ[]Æ,·,é,±
 ,Æ,ª,Á,«,Ü,·[]B[]V,μ,¢ftf@fCf<-¼,đŽw’è,μ,Ä[]AfAfNfefBfrfefB fCEf|
 []fg,ð[]İ[]μ,½[]è[]ž,İ[]ACE»[]Y,İ•İ[]X,İ,Y,ª•Ü’[]μ,³,ê,Ü,·[]B

{ button İ½Ö~Äİ½İ½İ½İ½İ½,AL(`obtaining;using setup',0,`,`')}



fRf}f“fh f%ofCf“ , ©, ç, ðfCf“fXfg[]f<

fRf}f“fh f%ofCf“[]fTfCfCef“fg[]jf, []f[h, Å[]Aft[]fU, ð%æ-É“€[], ðfOf%oftfBfjfk`ft[]fU
fCf“f^ftfF[]fX[]GUI[], È, µ, ÅfRf“f[]f[]fg, ðfCf“fXfg[]f<[]AfAfbfvff[]fg, “, æ, N[]í[]œ, Å, <, Ü, ·[]B, ±
, ðfCf“fXfg[]f<·ú-@, í[]A1‘ä, Ü, ½, í[]““ä, ðfRf“fsf...[]f^, É‘í, µ, Åfobf` , Å‘€[], ðŽÀ[]s, , é[]ê[]‡, ÉŽg—
p, Å, <, Ü, ·[]BfRf“f[]f[]fg, í, ·, x, Å^ê“x, í‘€[], ÅfCf“fXfg[]f<[]AfAfbfvff[]fg, “, æ, N[]í[]œ, Å, <, Ü, ·[]B, ±
, ðf[]v[]f[]‡“, í[]ASmartStart for Workstations, È, Ç, ð, æ, µ, É[]AfRf“f[]f[]fg, ð[]u%æ-É, ð— ‘x
, Å[]vŽ““@“í, ÉfCf“fXfg[]f<, Ü, ½, ðfAfbfvff[]fg, ·, é·K—v, ð, , éfpfbfP[]fW, ÅŽg—p, ³, è, Ü, ·[]B

^è“É“í, È[]·[]ftfH[]f}fbfg, í‘È%º, ð, Æ, “, è, Å, ·[]B

SETUP [COMPUTER "X1" "X2" ...] [INSTALL C1 C2 C3 C4 ...] [UPDATE C1 C2 C3 C4 ...] [REMOVE C1 C2 C3 C4 ...] [UPGRADE C1] [DOWNGRADE C1] [EXPRESS] [REBOOT]

, ±, ±, ÅX1[]AX2, í[]AfRf“fsf...[]f^—¼, ðŽí, µ, Ü, ·[]B
, ±, ±, ÅC1[]AC2[]AC3[]AC4, í[]A‘Á·É, ÉfRf“f[]f[]fg—¼, Å, ·[]B

•\7, í[]AfZfbfgfAfbfv2.05, ðfRf}f“fhf%ofCf“ fCf“f^ftfF[]fX, ÅfTf[]fg, ³, è, éfRf}f“fh, ð[]à—¾, µ, Å, ç, Ü, ·[]B

•\7. fRf}f“fh f%ofCf“ , ©, ç, ðfCf“fXfg[]f<

fj]efSfŠ
[], ‘—

fRf}f“fh[]·[]
EXPRESS

ðà—¾
fZfbfgfAfbfv, æ^, ð, éfRf“f[]
[]f[]fg, ðfCf“fXfg[]f<, µ, ÅfAfbfvff[]fg, µ,
Ü, ·[]BGUI, ð, ‘—fZfbfgfAfbfv, Æ“—
í, ð“@[], Å, ·, æ[]AfTfCfCef“fg, Å[]s, í, è, Ü, ·[]B,
Ü, ½[]A/SMS, ðŽg, Å, Å“—

[], ‘—

/SMS

í, ð“@[], ðŽÀ[]s, ·, é, ±, Æ, à, Å, <, Ü, ·[]B
fZfbfgfAfbfv, æ^, ð, éfRf“f[]
[]f[]fg, ðfCf“fXfg[]f<, µ, ÅfAfbfvff[]fg, µ,
Ü, ·[]BGUI, ð, ‘—fZfbfgfAfbfv, Æ“—
í, ð“@[], Å, ·, æ[]AfTfCfCef“fg, Å[]s, í, è, Ü, ·[]B,
Ü, ½[]AEXPRESS, ðŽg, Å, Å“—

HAL

DOWNGRADE HAL

í, ð“@[], ðŽÀ[]s, ·, é, ±, Æ, à, Å, <, Ü, ·[]B
Æ»[]Ý, ðf}f<f`fvf[]fZfbfTHAL, ðfVf“fof<
fvf[]fZfbfT
HAL, Éf_fEf“fof[]f[h, µ, Ü, ·[]B, ±
, è, í[]ACE»[]Ýf}f<f`fvf[]fZfbfT
HAL, æfCf“fXfg[]f<, ³, è, Å, ç, é[]ê[]‡, É, ¾, -
%ºÅ“\, Å, ·[]BfRf}f“fh f
%ofCf“ , ©, çZfbfgfAfbfv, ðŽÀ[]s, ·, é‘O, ÉC
D-ROMfhf%ofCfu, ÉMicrosoft Windows
NT Workstation 4.0 CD, æ“ü, Å, Å, ç

HAL

UPGRADE HAL

, È, - , è, í, È, è, Ü, ¹, ð[]B
Æ»[]Ý, ðfVf“fof<
fvf[]fZfbfTHAL, ðf}f<f`fvf[]fZfbfTHAL, ÉfA
fbfvfOf[]f[h, µ, Ü, ·[]B, ±
, è, í[]A2, Å^É[]ä, ðfvf[]fZfbfT, æ, , è[]ACE»[]Ýf
Vf“fof<

HAL	INSTALL HAL_RECOVERY	fvf[]ZfbfTHAL,ðfCf“fXfg[]f<,μ,Ä, .éfVfXf ef€ ,Ä,ì,Y%oÄ“\,Ä,·BfRf}f“fh f %ofCf“ ,©,çZfbfgfAfbfv,ðŽÀ[]s,·,é‘O,ÉC D-ROMfhf%ofCfu,ÉMicrosoft Windows NT Workstation 4.0 CD,ª“ü,Ä,Ä,ç ,È,·,ê,î,È,è,Û,¹,ñ[]B HALfŠfjfofŠ
HAL	REMOVE HAL_RECOVERY	flfvfVf#f“ ,ðfCf“fXfg[]f<,μ,Û,·BfRf}f“fh f %ofCf“ ,©,çZfbfgfAfbfv,ðŽÀ[]s,·,é‘O,ÉC D-ROMfhf%ofCfu,ÉMicrosoft Windows NT Workstation 4.0 CD,ª“ü,Ä,Ä,ç ,È,·,ê,î,È,è,Û,¹,ñ[]B HALfŠfjfofŠ flfvfVf#f“ ,ð[]í[]œ,μ,Û,·[]B
flfbfgf[][]fN	UPDATE NETFLEX3	Compaq Netelligent/NetFlex- 3fRf“fgf[][]f%o fhf %ofCfo,ðfAfbfvff[]f[]g,μ,Û,·[]B
‘å—e— ÊfXfgf[][]fW	INSTALL ARRAY	Compaq SMARTfAfcC/SMART- 2fAfcC/SmartfAfcC221fRf“fgf[][]f%o fhf%ofCfo,ðfCf“fXfg[]f<,μ,Û,·[]B
‘å—e— ÊfXfgf[][]fW	UPDATE ARRAY	Compaq SMARTfAfcC/SMART- 2fAfcC/SmartfAfcC221fRf“fgf[][]f%o fhf%ofCfo,ðfAfbfvff[]f[]g,μ,Û,·[]B
‘å—e— ÊfXfgf[][]fW	INSTALL FASTSCSI	Compaq Fast SCSI-2fhf %ofCfo,ðfCf“fXfg[]f<,μ,Û,·[]B
‘å—e— ÊfXfgf[][]fW	UPDATE FASTSCSI	Compaq Fast SCSI-2fhf %ofCfo,ðfAfbfvff[]f[]g,μ,Û,·[]B
‘å—e— ÊfXfgf[][]fW	UPDATE PRLNTSS	Compaq ProLiantfXfgf[][]fW fVfXfef€ fhf%ofCfo,ðfAfbfvff[]f[]g,μ,Û,·[]B
‘å—e— ÊfXfgf[][]fW	REMOVE PRLNTSS	Compaq ProLiantfXfgf[][]fW fVfXfef€ fhf%ofCfo,ð[]í[]œ,μ,Û,·[]B
fŠfu[]f[]g	REBOOT	Žw‘è,³,ê,½“®[]i,ªŽÀ[]s,³,ê,½CEã[]Afrf“f sf...[]f^ ,ð[]Ä<N“® ,μ,Û,·[]B
fŠf,[]f[]g	COMPUTER "X"	X,Æ,ç,α-¼‘O,lfŠf,[]f[]g frf“fsf... []f^ ,ÄfZfbfgfAfbfv,ðŽÀ[]s,·,é,± ,Æ,ð‘l‘ð,μ,Û,·[]BfAfhf~fjXfgf[][]f^CE CEÄ,ðŽ[] ,Ä,Ä,ç,é•K—v,ª, ,è,Û,·[]B
fT[]f[]rX/ ft[]f[]efBfŠfefB	INSTALL CPQACU	CompaqfAfcC fRf“ftfBfMf...fCE[]fVf#f“ ft[]f[]efBfŠfefB[]iACU[]j,ðfCf“fXfg[]f<,μ,Û ,·[]BfRf}f“fh f %ofCf“ ,©,çZfbfgfAfbfv,ðŽÀ[]s,·,é‘O,Éfff BfXfPfbfg fhf%ofCfu,ÉACU diskette #2[]ACD-ROMfhf%ofCfu,ÉSmartStart for Workstations CD,ª•K—v,Ä,·[]B
fT[]f[]rX/ ft[]f[]efBfŠfefB	UPDATE CPQACU	CompaqfAfcC fRf“ftfBfMf...fCE[]fVf#f“ ft[]f[]efBfŠfefB[]iACU[]j,ðfAfbfvff[]f[]g,μ,Û, ,·[]BfRf}f“fh f %ofCf“ ,©,çZfbfgfAfbfv,ðŽÀ[]s,·,é‘O,Éfff BfXfPfbfg fhf%ofCfu,ÉACU diskette #2[]ACD-ROMfhf%ofCfu,ÉSmartStart for Workstations CD,ª•K—v,Ä,·[]B
fT[]f[]rX/ ft[]f[]efBfŠfefB fVfXfef€	REMOVE CPQACU	CompaqfAfcC fRf“ftfBfMf...fCE[]fVf#f“ ft[]f[]efBfŠfefB[]iACU[]j,ð[]í[]œ,μ,Û,·[]B
f}f[]fWf[]f“fg	INSTALL SYSMGMT	CompaqVfXfef€ f}f[]fWf[]f“fg fhf %ofCfo,ðfCf“fXfg[]f<,μ,Û,·[]B

fVfXfef€
f}flfWf[]f“fg
fo[]fWf[]f“

UPDATE SYSMGMT
VERSION

CompaqVfXfef€ f}flfWf[]f“fg fhf
%ofCfo,dfAfbfvff[]fg,μ,Ü,·[]B
cpqntssd.logftf@fCf<,δŽw`è,μ,½fRf“f[]
[]f[]f“fg,ìfo[]fWf[]f“[]î•ñ,ÅfAfbfvff[]fg,μ,
Ü,·[]B,±,lfRf}f“fh,ì[]AZÿ,ìCE`Ž®,ÅŽg—
p,Å,«,Ü,· : setup COMPUTER <^ø—
p•,,Å^í,Ü,è,½fRf“fsf...[]f^-¼>
fo[]fWf[]f“ <fXfy[]fX,Å•²—£,³,è,½fRf“f[]
[]f[]f“fg-
¼>[]B,½,Æ,ì,î[]ACompaqVfXfef€
f}flfWf[]f“fg fhf%ofCfo[]ASCsIfRf“fgf[]f
%o
, ;,æ,ÑHAL,ìfo[]fWf[]f“[]î•ñ,δCE@,½,ç[]è
[]‡,ì[]AZÿ,ì,æ,æ,É“ü—í,μ,Ü,·[]B
setup COMPUTER "beagle" VERSION
sysmgmt fastscsi hal

¼ŽĐ[]»,ìfhf
%ofCfo
f[]f[]f[]Bf[]

INSTALL ESS

ESSf[]f[]f[]Bf[] fhf
%ofCfo,dfCf“fXfg[]f<,μ,Ü,·[]B

f[]f[]f[]Bf[]

UPDATE ESS

ESSf[]f[]f[]Bf[] fhf
%ofCfo,dfAfbfvff[]fg,μ,Ü,·[]B
ESSf[]f[]f[]Bf[] fhf%ofCfo,δ[]í[]œ,μ,Ü,·[]B
Adaptec 2940UWfRf“fgf[]f%o fhf

f[]f[]f[]Bf[]
SCSI

REMOVE ESS
INSTALL AIC78XX

%ofCfo,dfCf“fXfg[]f<,μ,Ü,·[]B
Adaptec 2940UWfRf“fgf[]f%o fhf

SCSI

UPDATE AIC78XX

%ofCfo,dfAfbfvff[]fg,μ,Ü,·[]B
Symbios Wide Ultra2 PCI

SCSI

INSTALL SYM8952U

SCSIIfRf“fgf[]f%o fhf
%ofCfo,dfCf“fXfg[]f<,μ,Ü,·[]B

SCSI

UPDATE SYM8952U

Symbios Wide Ultra2 PCI
SCSIIfRf“fgf[]f%o fhf

SCSI

REMOVE SYM8952U

%ofCfo,dfAfbfvff[]fg,μ,Ü,·[]B
Symbios Wide Ultra2 PCI

fOf%oftfBfbfNfX

INSTALL GVXI

3Dlabs Oxygen GVX1fOf%oftfBfbfNfX
fRf“fgf[]f%o fhf

fOf%oftfBfbfNfX

UPDATE GVXI

%ofCfo,dfCf“fXfg[]f<,μ,Ü,·[]B
3Dlabs Oxygen GVX1fOf%oftfBfbfNfX
fRf“fgf[]f%o fhf

fOf%oftfBfbfNfX

REMOVE GVXI

%ofCfo,dfAfbfvff[]fg,μ,Ü,·[]B
3Dlabs Oxygen GVX1fOf%oftfBfbfNfX

fOf%oftfBfbfNfX

INSTALL DIAMOND

fRf“fgf[]f%o fhf%ofCfo,δ[]í[]œ,μ,Ü,·[]B
Diamond Multimedia Fire GL 4000fOf

fOf%oftfBfbfNfX

UPDATE DIAMOND

%oftfBfbfNfX fRf“fgf[]f%o fhf
%ofCfo,dfCf“fXfg[]f<,μ,Ü,·[]B

fOf%oftfBfbfNfX

REMOVE DIAMOND

Diamond Multimedia Fire GL 4000fOf
%oftfBfbfNfX fRf“fgf[]f%o fhf
%ofCfo,dfAfbfvff[]fg,μ,Ü,·[]B

fOf%oftfBfbfNfX

INSTALL ELSA

Diamond Multimedia Fire GL 4000fOf
%oftfBfbfNfX fRf“fgf[]f%o fhf
%ofCfo,δ[]í[]œ,μ,Ü,·[]B

ELSA GLoria-LfOf%oftfBfbfNfX
fRf“fgf[]f%o fhf

fOf%oftfBfbfNfX	UPDATE ELSA	%fCfo,đfCf“fXfg[]f<,μ,Ü,·B ELSA GLoria-LfOf%oftfBfbfNfX fRf“fgf[]f% fhf
fOf%oftfBfbfNfX	REMOVE ELSA	%fCfo,đfAfbfvff[]fg,μ,Ü,·B ELSA GLoria-LfOf%oftfBfbfNfX fRf“fgf[]f% fhf
fOf%oftfBfbfNfX	INSTALL ELSAXL	%fCfo,đfCf“fXfg[]f<,μ,Ü,·B ELSA GLoria-XLfOf%oftfBfbfNfX fRf“fgf[]f% fhf
fOf%oftfBfbfNfX	UPDATE ELSAXL	%fCfo,đfAfbfvff[]fg,μ,Ü,·B ELSA GLoria-XLfOf%oftfBfbfNfX fRf“fgf[]f% fhf
fOf%oftfBfbfNfX	REMOVE ELSAXL	%fCfo,đfCf“fXfg[]f<,μ,Ü,·B ELSA GLoria-XLfOf%oftfBfbfNfX fRf“fgf[]f% fhf
fOf%oftfBfbfNfX	INSTALL MATXMLNM	%fCfo,đfCf“fXfg[]f<,μ,Ü,·B Matrox MGA MillenniumfOf%oftfBfbfNfX fRf“fgf[]f% fhf
fOf%oftfBfbfNfX	UPDATE MATXMLNM	%fCfo,đfAfbfvff[]fg,μ,Ü,·B Matrox MGA MillenniumfOf%oftfBfbfNfX fRf“fgf[]f% fhf
fOf%oftfBfbfNfX	REMOVE MATXMLNM	%fCfo,đfCf“fXfg[]f<,μ,Ü,·B Matrox MGA MillenniumfOf%oftfBfbfNfX fRf“fgf[]f% fhf
fOf%oftfBfbfNfX	INSTALL MATROX	%fCfo,đfCf“fXfg[]f<,μ,Ü,·B Matrox Millennium II PCI/Millennium G200 PCI/Millennium G200 AGPfOf %oftfBfbfNfX fRf“fgf[]f% fhf
fOf%oftfBfbfNfX	UPDATE MATROX	%fCfo,đfAfbfvff[]fg,μ,Ü,·B Matrox Millennium II PCI/Millennium G200 PCI/Millennium G200 AGPfOf %oftfBfbfNfX fRf“fgf[]f% fhf
fOf%oftfBfbfNfX	REMOVE MATROX	%fCfo,đfCf“fXfg[]f<,μ,Ü,·B Matrox Millennium II PCI/Millennium G200 PCI/Millennium G200 AGPfOf %oftfBfbfNfX fRf“fgf[]f% fhf
fOf%oftfBfbfNfX	INSTALL POWERSTM	%fCfo,đfCf“fXfg[]f<,μ,Ü,·B Compaq PowerStorm 300fOf %oftfBfbfNfX fRf“fgf[]f% fhf
fOf%oftfBfbfNfX	UPDATE POWERSTM	%fCfo,đfAfbfvff[]fg,μ,Ü,·B Compaq PowerStorm 300fOf %oftfBfbfNfX fRf“fgf[]f% fhf
fOf%oftfBfbfNfX	REMOVE POWERSTM	%fCfo,đfCf“fXfg[]f<,μ,Ü,·B Compaq PowerStorm 300fOf %oftfBfbfNfX fRf“fgf[]f% fhf
fOf%oftfBfbfNfX	INSTALL SYNERGY	%fCfo,đfCf“fXfg[]f<,μ,Ü,·B ELSA GLoria SynergyfOf%oftfBfbfNfX fRf“fgf[]f% fhf
fOf%oftfBfbfNfX	UPDATE SYNERGY	%fCfo,đfAfbfvff[]fg,μ,Ü,·B ELSA GLoria SynergyfOf%oftfBfbfNfX fRf“fgf[]f% fhf
fOf%oftfBfbfNfX	REMOVE SYNERGY	%fCfo,đfCf“fXfg[]f<,μ,Ü,·B ELSA GLoria SynergyfOf%oftfBfbfNfX fRf“fgf[]f% fhf

^È%º,íAfrf}f“fh f%ofCf“ fCf“f^ftfF[]fX,ì\$-ñ,Å,·B

□E Compaq Netelligent/NetFlex-3fRf“fgf[]f%º fhf%ofCfo,ìfCf“fXfg[]f</ííœ,í,Å,«,Ü,¹,ñ□B
Compaq Netelligent/NetFlex-3fRf“fgf[]f%º fhf%ofCfo,íAFAfbfvff[]fg,ì,Ýs,!,Ü,·B

□E Compaq Ethernet□AFast EthernetfRf“fgf[]f%º,“,æ,ÑGigabitfhf
%ofCfo,ìfCf“fXfg[]f<,Ü,½,ííœ,í,Å,«,Ü,¹,ñ□BCompaq Ethernet□AFast
Ethernet□A,“,æ,ÑGigabitfRf“fgf[]f%º fhf%ofCfo,íAFAfbfvff[]fg,ì,Ýs,!,Ü,·Bftf|
[]fg,³,è,é^—,íAFA[]fj<,É,ì,YZÀs,Å,«Afo[]fWf†f“4.29.01.0009^È~-,lCompaq
Ethernet,“,æ,ÑFast EthernetfRf“fgf[]f%º fhf%ofCfo□AN100NT.SYS,ðŽg—
p,μ,Ä,ì,ÝZÀs,Å,«,Ü,·B

{button ì½Ö~Ai½i½i½i½i½,AL(`installing;support remote',0,`,`')}



fŠf. [fg fCf“fXfg [f<, lřTf [fg

Compaq Windows NT Workstation SSD, [Af]fbfg [fNCEo—
R, Å, lřŠf, [fg, ©, ç, lřCf“fXfg [f< AfAfbfvff [fg [A] [œ] [A] Y’è<@“\, a, , è, Ü, · [B, ±, l<@“\, a’ Ç
%oÅ, ³, è, ½, ±, Æ, É, æ, è [A] 1’ ä, lřRf“fsf... [f^ [ã, ©, ç] lřfbfg [fN, É [U’ ±, ³, è, ½ • i [] , lřRf“fsf...
[f^ , ðOf%oftfB]fj< ft [fU fCf“f^ftf [fX [i GUI), Å Y’è, Å, «, é, æ, x, É, È, è, Ü, µ, ½ [B

fŠf. [fg fCf“fXfg [f<, lřTf [fg
fZfbfgfAfbfv, lGUI, Å, [A] fffHf<fg, lřRf“fsf... [f^ , [A] f [f]f<, lřVfXfef€ , É, È, è, Ü, · [B] CE» [Y, lřRf“fsf...
[f^ -¼, lřEfbf“fhfE, lř^fCf<, É • \Z, ³, è, Å, ç, Ü, · [B] Šf, [fg, ©, ç, [Y’è • i [X, ð [s, x, É, [A] [V<KfRf“fsf...
[f^ lřAfCfRf“ [i, Ü, ½, lř [fj... [[€ -U [j, ðNfŠfbfN, µ, Ü, · [B, ±, è, É, æ, Å, Åf]fbfg [fN fuf%ofEfY
f_fCfAfbfv, aCE» , è, Å [A] 2, Æ, “, è, l • û - @, ÅfRf“fsf... [f^ -¼, ðZw’è, Å, «, Ü, · [B

1. f_fCfAfbfv, [ã • ”, lř {fbfNfX, ÉfRf“fsf... [f^ -¼, ð“ü— l, µ, Å [A] OK, ðNfŠfbfN, µ, Ü, · [B
2. “K [Ø, Éf]fbfg [fN [A] fhf [fCf“ [A, “, æ, NfT [fo, ð’ l’ ð, µ, Å [A] lřfbfg [fN, ðfuf
%ofEfY, µ, Ü, · [B

fRf}f“fhf%ofCf“ <@“\, Æ“— l, É [A] ZfbfgfAfbfv, ðZÅ [s, · , é [œ] [A] U’ ±, ðŠm—
š, µ, ÅfZfbfgfAfbfv, ðZÅ [s, · , é, É, [A] AfAfhf~fjXfgf [f^ CE CEÀ, a•K—v, Å, · [B] [f]f<, lřVfXfef€
, Æ“— , lř [fU -¼, Æf [fX [f]h, a•K—v, Å, · [B

“Å’è, lřRf“fsf... [f^ , É [U’ ±, aŠm—š, ³, è [A] AfAfhf~fjXfgf [f^ CE CEÀ, aŠm”F, ³, è, é, Æ [A] ZfbfgfAfbfv
fvf [fOf%of€ , [A] A, » , lřRf“fsf... [f^ , lřZfbfgfAfbfv fRf“f [f]f“fg, ð, · , x, Å [œ] Šú%o» , µ, Ü, · [B

’ [: GUI fŠf, [fg fCf“fXfg [f<, ðZg, Å, Å1, Å, lřVfXfef€ , É1“x, ¾, · i [X, ð [s, x, ±, Æ, a, Å, «, Ü, · [B

fŠf. [fg fCf“fXfg [f<, lřRf}f“fhf%ofCf“ ftf [fg
fŠf, [fg, ©, ç, [Y’è, ð%Å“\, É, · , é [f]fjYf€ , l^è, Å, ÉfRf}f“fhf%ofCf“ fCf“f^ftf [fX, a, , è, Ü, · [B^ È
%o, Å, [A] fRf}f“fhf%ofCf“ fCf“f^ftf [fX, ÅZg—p, · , é “ÅZè, É [œ] • [l, É, Å, ç, Å [ã -¾, µ, Å, ç
, Ü, · [B] fRf}f“fhf%ofCf“ , ©, ç, lřZfbfgfAfbfv fRf“fj
[f]f“fg, lřCf“fXfg [f<, µ [A] fAfbfvff [fg [A, Ü, ½, [œ] t, ÉfRf“fsf... [f^ -
¼, aZw’è, ³, è, ½ [œ] [f, [A] ÅZw’è, ³, è, ½ fRf“fsf... [f^ , É, Å, ç, Å [A, · , x, Å, lřZfbfgfAfbfv fvf [fOf%of€
, É, æ, é [Y’è, l • i [X, a [s, í, è, Ü, · [B] Šf, [fg, lřVfXfef€
, Æ [f]f<, lř [f]f<, ÅfZfbfgfAfbfv, ðZÅ [s, · , é [œ] [A] Y’è, l • i [X, a [s, í, è, éfŠf, [fg, lřVfXfef€ [ã, ÉŠÇ—
[f]f]fEf“fg, a•K—v, Å, · [B

fAfNfefBfrefeB fCEf [fg, [A] f [f]f< fVfXfef€, “, æ, NfŠf, [fg fVfXfef€ [ã, Å [A] %Systemroot%\
System32\CPONTSSD.LOG, É [œ] [œ] - , ³, è, Ü, · [B] Rf“fsf... [f^ -¼, a<L [q, ³, è, Å, ç
, É, ç [œ] [œ] [A] Y’è, l • i [X, l, · , x, Å [A] f [f]f< fVfXfef€, ÅZÅ [s, ³, è, Ü, · [B

ŽŸ, l—á, [A] AWORKHORSE, Æ, ç, x -¼’O, lřŠf, [fg, lřRf“fsf... [f^ , É’ l, µ, Å Compaq fVfXfef€
f}f]fWf [f“fg fhf%ofCfo, ðfCf“fXfg [f<, · , é, l, É • K—v, É [œ] • [l, ðZ, µ, Å, ç, Ü, · [B

SETUP COMPUTER "WORKHORSE" INSTALL SYSMGMT

’É [œ] i, [œ] • [l]ftfH [f]f]fbfg, lŽŸ, l, Æ, “, è, Å, · , l, Å<C, ð • t, “, Å, ¾, ³, ç:

**SETUP [COMPUTER "X"] [INSTALL C1 C2 C3 C4 ...] [UPDATE C1 C2 C3 C4 ...]
[REMOVE C1 C2 C3 C4 ...] [UPGRADE C1] [DOWNGRADE C1]**

, ±, ±, ÅX1 [A] AX2, [A] fRf“fsf... [f^ -¼, Å, · [B
, ±, ±, ÅC1 [A] AC2 [A] AC3 [A] AC4, [A] A’Å’è, lřRf“f [f]f“fg -¼, Å, · [B

': fffbR, Å^í, ñ, ¾, ì, ìfVfVfj", Å, ·B

», ì¼, ìRf}f"fhf%ofCf" fCf"f^ftfF[]fX, ìŽg—p—á

^È%oo, ì—á, íA fRf}f"fh f%ofCf" fCf"f^ftfF[]fX, ðŽg—p, µ, ÅŽÀs, Å, «, é" @ ì, ì%¼'è—á, ðŽ!, µ, Å, ç, Ü, ·B

f[]fj fRf"fsf...[]f^, ì" @ ì

^È%oo, ì—á, íA f[]fj fRf"fsf...[]f^, ÅŽÀs, Å, «, é, ¾, Ü, ' , Ü, È" @ ì, ì—á, ðŽ!, µ, Å, ç, Ü, ·B

1. **ŽÀs, µ, ½, ç" @ ì:** Compaq Fast SCSI-2fhf%ofCfo, ìfCf"fXfg[]f<
[]\•¶: **SETUP INSTALL FASTSCSI**
2. **ŽÀs, µ, ½, ç" @ ì:** CompaqVfXfef€ f}flfWf[]f"fg fhf%ofCfo, ìfAfbfvff[]fg
[]\•¶: **SETUP UPDATE SYSMGMT**
3. **ŽÀs, µ, ½, ç" @ ì:** CompaqAfCfC fhf%ofCfo, ìfCf"fXfg[]f<, AENetFlex-3 fhf
%ofCfo, ìfAfbfvff[]fg
[]\•¶: **SETUP INSTALL ARRAY UPDATE NETFLEX3**
4. **ŽÀs, µ, ½, ç" @ ì:** CompaqVfXfef€ f}flfWf[]f"fg fhf%ofCfo, ", æ, ÑMatrox Millennium
llfhf%ofCfo, ìfCf"fXfg[]f<, AefSf, []fg f, fjj^ fT[]frfX, ìí[]œ
[]\•¶: **SETUP INSTALL SYSMGMT MATROX REMOVE RMONSVC**
5. **ŽÀs, µ, ½, ç" @ ì:** fVf"fOf< fvf[]ZfbfTHAL, ©, çf}f<f`
fvf[]ZfbfTHAL, Ö, ìfAfbfvfOfCf[]fh
[]\•¶: **SETUP UPGRADE HAL**
6. **ŽÀs, µ, ½, ç" @ ì:** fTfCfCf"f"fg, '—fCf"fXfg[]f</fAfbfvff[]fg
[]\•¶: **SETUP EXPRESS, Ü, ½, ÍSETUP /SMS**

fŠf, []fg fRf"fsf...[]f^, ì" @ ì

^È%oo, ì—á, íA **WORKHORSE**, A, ç, x—¼'O, ìŠf, []fg, ìfRf"fsf...[]f^, Å, ì, ¾, Ü, ' , Ü, È" @ ì, ìŽÀs—
á, ðŽ!, µ, Å, ç, Ü, ·B • È, ìfRf"fsf...[]f^—¼, ðfpf%of[]f^, ÈŽg—p, ·, é^ÈŠO, íA[]\•¶, ì•Í, í, ç, È, ç, ±
, A, É' ^ Ó, µ, Å, , ¾, ¾, çB

1. **ŽÀs, µ, ½, ç" @ ì:** Compaq Fast SCSI-2fhf%ofCfo, ìfCf"fXfg[]f<
[]\•¶: **SETUP COMPUTER "WORKHORSE" INSTALL FASTSCSI**
2. **ŽÀs, µ, ½, ç" @ ì:** CompaqVfXfef€ f}flfWf[]f"fg fhf%ofCfo, ìfAfbfvff[]fg
[]\•¶: **SETUP COMPUTER "WORKHORSE" UPDATE SYSMGMT**
3. **ŽÀs, µ, ½, ç" @ ì:** CompaqAfCfC fhf%ofCfo, ìfCf"fXfg[]f<, AENetFlex-3 fhf
%ofCfo, ìfAfbfvff[]fg
[]\•¶: **SETUP COMPUTER "WORKHORSE" INSTALL ARRAY UPDATE NETFLEX3**
4. **ŽÀs, µ, ½, ç" @ ì:** CompaqVfXfef€ f}flfWf[]f"fg fhf%ofCfo, ", æ, ÑMatrox Millennium
llfhf%ofCfo, ìfCf"fXfg[]f<, AefSf, []fg f, fjj^ fT[]frfX, ìí[]œ
[]\•¶: **SETUP COMPUTER "WORKHORSE" INSTALL SYSMGMT MATROX REMOVE RMONSVC**
5. **ŽÀs, µ, ½, ç" @ ì:** fVf"fOf< fvf[]ZfbfTHAL, ©, çf}f<f`

fvf[]ZfbfTHAL,Ö,lfAfbfvfOf[]fh
[]\•[]: **SETUP COMPUTER "WORKHORSE" UPGRADE HAL**

6. **ŽÄ[]s,μ,½,¢" @[]i: fTfCf[]f"fg[],'¬fCf"fxfg[]f</fAfbfvff[]fg**
[]\•[]: SETUP COMPUTER "WORKHORSE" EXPRESS,Ü,½,íSETUP COMPUTER
WORKHORSE /SMS

f[]fbf` fRf}f"fh[]^—[]

[] "í,Èft[]fU fCf" f^ftfF[]fX,ì—~"_,ì,Đ,Æ,Â,É[]A^è"x,É•i[]",lfRf"fsf...
[]f^[]ã,Ä" @[]i,đŽÄ[]s,.,éfofbf` []^—[],đŽg—p,Ä,«,Ü,·[]B,½,Æ,í,í[]AfVfXfef€ŠÇ—
[]ŽÒ,²5'ä,ìf[]fNfXfef[]fVf+f"[]ã,ÄCompaq Fast SCSI-2fhf%ofCfo,đfAfbfvff[]fg,μ,½,¢
,Æ,μ,Ü,·[]BfVfXfef€ŠÇ—[]ŽÒ,íŽÝ,lfRf}f"fh,đŽg,Ä,Ä[]A,±,ì" @[]i,đŽÄ[]s,Ä,«,Ü,·[]B

SETUP COMPUTER "C1" "C2" "C3" "C4" "C5" UPDATE FASTSCSI

,±,±,Ä[]AC1-C5,í[]AfRf"fsf...[]f^-¼,đŽi,μ,Ä,¢,Ü,·[]B

Compaq Fast SCSI-2fRf"fgf[]f%o,²,Ç,ìfVfXfef€,É,à'[]Y,μ,È,¢[]é[]#,í[]Afhf%ofCfo,ífCf"fxfg[]f</
fAfbfvff[]fg,í,Ä,«,Ü,¹,ñ[]B,±,ìCE<%oÈ,í[]Af[]fOf[]fCf<,É<L~^,³,é[]A%oæ-É,É•Ži,³,é,Ü,·[]B

fTfCf[]f"fg fRf}f"fh f%ofCf" fCf" f^ftfF[]fX

fTfCf[]f"fg f,[]fh,ì[]é[]#[]AfZfbfgfAfbfv,ì" @[]i,É'í,.,é[]o—í,í[]A,.,x,Äf[]fo ft[]fCf<,É[]o—
í,³,é,Ü,·[]B,±,ì"ÄŽè,Èf,[]fh,í[]AfZfbfgfAfbfv,Äft[]f[]fg,³,é,éfhf%ofCfo,âft[]f[]fBfŠfefB,đfofbfNfOf
%ofEf"fh,ÄfCf"fxfg[]f<,.,é[]é[]#[]i,½,Æ,í,í[]ASmartStart for Workstations[]j,É•Ö—~,Ä,·[]B

{button i;½Ö~Ai;½i;½i;½i;½i;½,AL(`installing;command line',0,`,`')}



Windows NT Workstation fffofCfX fhf%ofCfo, iZd—l

fVf“fOf< fvf□fZfbfT, .,æ,Ñf}f<f` fvf□fZfbfT, ìTf|□f|g

fn□[fhfEjFfA fAfufXfgf%ofNfvf}f“ fCfCf, □iHAL□j,ÆCEÁ,í,è,éWindows NT WorkstationfRf“f|
 □[f|f“fg, l□AWindows NT
 Workstationf|□[f|f<,ÆPCfn□[fhfEjFfA, ìfCf“f^ftfF□[fX, ðŽi, é, ½, ß, Éfn□[fhfEjFfA
 fx^f`_É,æ,Á,Á'ñ<ÿ,³,è,Ü, □BCompaqVfXfef€ , lHAL, í□AWindows NT
 Workstation•W□€□»•i,É•t'® ,µ,Á,ç,Ü, □BWindows NT Workstation
 4.0□ã,ÁfRf“fpfbfNŽĐ□», ìfVfXfef€, ðTf|□[f|g, .,éHAL, í, ., x, ÄMicrosoft Windows NT Workstation
 4.0 CD, Á“üŽè, Á, «, Ü, .□B

Compaq SMARTfAfCfC/SMART-2fAfCfC/SmartfAfCfC221fRf“fgf□□f%o, ìTf|□f|g

Compaq SMARTfAfCfC/SMART-2fAfCfC/SmartfAfCfC221fRf“fgf□□f%o, ðTf|
 □[f|g, ., éffofCfX fhf%ofCfo, í□AWindows NT Workstation•W□€□»•i, Á'ñ<ÿ,³,è,Ü, □BWindows NT
 Workstation, ìfCf“fXfg□[f<fvf□fZfX't□A, ±, è, ç, ìffofCfX, ð“FŽ` ,µ, ÁfCf“fXfg□[f<, ., é, ±, Æ, ð, Á, «, Ü, .□B

'□: SMART-2fAfCfC fRf“fgf□□f%o, ìV<@“\, ìU□x, É, Á, ç, Ä, í□ASmart-2 fAfCfC
 fRf“fgf□□f%o, É“`□<, ìf}fj...fAf<, ðŽQ□Æ, µ, Á, ,³/₄,³, ç□BSmartfAfCfC221fRf“fgf□□f%o
 , ìV<@“\, ìU□x, É, Á, ç, Ä, í□ASmartfAfCfC221fRf“fgf□□f%o, É“`□<, ìf}fj...
 fAf<, ðŽQ□Æ, µ, Á, ,³/₄,³, ç□B

, ±, ìfhf%ofCfo, í□ASCSIf~fj|□[f|g□ÝEv, ì, ½, ß, ÉSCSIfRf“fgf□□f%o, Æ, Ý, È,³,è,Ü, .□B, ±, ì, ,Æ, ìfRf“fgf□
 □[f%o□ã, ì`_□`'u, É, í, ., éWindows NT Workstation“®□iCEÁ—L, ìŽQ□Æ, ì, ., x, ÄSCSI ID, Æ, µ, Á•\
 Ž,³,è,Ü, □BCompaq Insightf}f|□[fWff, í□AfAfCfC fRf“fgf□□f%o, ð“ñSCSIfRf“fgf□□f%o
 , ., æ, ÑffofCfX, Æ, µ, Á□³, µ, “FŽ` ,µ, Á•\Ž, ì, µ, Ü, .□B

, ±, ìfhf%ofCfo, í□AfVfXfef€, ð`à“d, µ, ½, Æ, «, ÉfofbfefŠ, ðÁ-Ö, µ, È, ç, æ, x, ÉVfXfef€
 , ðVfffbfgf_fEf“ , ., ééé□, Éf%ofCgfofbfN fLfffbVf..., ðf{□[fh□ã, É“<□U, µ, ½fAfCfC fRf“fgf□□f%o
 , ì“dCE¹, ì□Ø'f, ., æ, Ñftf%ofbfVf..., ð□s, x, ½, ß, ìTf|□[f|g, ð'ñ<ÿ, µ, Ü, .□B, ±, ìfhf%ofCfo, í□AfVfXfef€
 , ðVfffbfgf_fEf“ , ., é, Æ□AfofbfefŠ, ð□Á-Ö, µ, È, ç, æ, x, É□A, ., x, Ä, ìfAfCfC fRf“fgf□□f%o, Áf{□[fh□ã, ìf
 %ofCgfofbfN fLfffbVf..., ð□Á-Z, Æftf%ofbfVf..., ., éTf|□[f|g, ð'ñ<ÿ, µ, Ü, .□B

, ±, ìfhf%ofCfo, í□ACompaqf}f|fWf|f“fg f□□[fNfXfe□[fVf}f“ fG□[fWfFf“fg, ðTf|□[f|g, µ, Ü, .□B

fCf“fXfg□[f<Žè□, É, Á, ç, Ä, í□ACompaqfhf%ofCfu fAfCfC fRf“fgf□□f%o, ìTf|□f|g, ì□€, ðŽQ□Æ, µ, Á, -
 ,³/₄,³, ç□B

Compaq SCSIfRf“fgf□□f%o fTf|□f|g

fRf“fpfbfN, í□L'í, ÉSCSIfRf“fgf□□f%o, ðTf|□[f|g, µ, Á, ç, Ü, .□BŽÿ, ì•\, í□AWindows NT
 Workstation, ìfCf“fXfg□[f<'t, É“FŽ` ,³,è, éSCSIfRf“fgf□□f%o, ÆŠefRf“fgf□□f%o f^fCfv, ÁTf|
 □[f|g, ., é, éSCSIfffofCfX, ìf^fCfv, ðŽ, ì, µ, Ü, .□B¹/₄, ìSCSIfffofCfX, í□A, ±, è, ç, ìfRf“fgf□□f%o/
 fAf_fvf^□ã, Á□³□í, É<@“\, ., ééé□, à, ,è, Ü, ., ðA<@“\, µ, È, ç□é□, à, ,è, Ü, .□B

•\8. SCSIfRf“fgf□□f%o fTf|□f|g

fRf“fgf□□f%o/ fAf_fvf^	Windows NT Workstation, ì fCf“fXfg□[f<Žž, É “FŽ` ,³,è,é	ffBfXfN fffofCfX	fe□[fv fffofCfX	CD-ROM fffofCfX
Compaq SCSI fRf“fgf□□f%o	□>*	□>	□>	□>

* Windows NT Workstation SSD, ©, çfCf“fXfg□[f<,·,é,±,Æ,ð,¨,·,·,β,μ,Ü,·□B

SCSIfrf“fgf□□[f%o,lfCf“fXfg□[f<,É,Â,ç,Ä,Í□ACompag SCSIfrf“fgf□□[f%o,lfTf□□[fg,ðŽQ□Æ,μ,Ä,-
,¾,¾,¾,ç□B

flfbfgf□□[fN fRf“fgf□□[f%o fTf□□[fg

CompagVfXfef€ ,lfifbfgf□□[fN fhf%ofCfo,Í□AWindows NT Workstation·W□€□»·i,É·t'® ,μ,Ä,ç
,Ü,·□BWindows NT Workstation,lfCf“fXfg□[f<fvf□fZfX't□A,±

,è,ç,lfffofCfX,ð“FŽ¨ ,μ,ÄfCf“fXfg□[f<,·,é,±,Æ,ª,Ä,«,Ü,·□Bfrf“fpfbfN,ªŠJ” ,μ,½flfbfgf□□[fN fhf
%ofCfo,Í□A,±,ìCompag Windows NT Workstation SSD,ÌNETffBfçEfNfgfŠ“à,É“ü,Ä,Ä,ç,Ü,·□B

,±,è,ç,lfhf%ofCfo,Í□ACompagf}flfWf□f“fg f□□[fNfXfe□[fVf#f“ fG□[fWfFf“fg,ðfTf□□[fg,μ,Ü,·□B

Compaglfbfgf□□[fN fRf“fgf□□[f%o fhf%ofCfo,É,Â,ç,Ä□Ü,μ,,Í□ACompag Netelligent/NetFlex-
3frf“fgf□□[f%o,lfTf□□[fg,¨,æ,NCompag Ethernet,¨,æ,NFast Ethernetfrf“fgf□□[f%o,ðŽQ□Æ,μ,Ä,-
,¾,¾,¾,ç□B

Compag ProLiantfXfgfç□[fW fvXfef€ fTf□□[fg

Compag ProLiantfXfgfç□[fW fvXfef€ ,lfffofCfX fhf%ofCfo,ÍCompag Windows NT Workstation
SSD,Ä'ñ<ÿ,¾,è,Ü,·□B,±,è,Í□AProLiantfXfgfç□[fW fvXfef€ ,ðCompag SCSIfrf“fgf□□[f%o,É□Ü'±
,μ,½□è□# ,Ì,ÿŽg—p,¾,è,Ü,·□B

'□: Compag ProLiantfXfgfç□[fW fvXfef€,lfhf%ofCfo,Í□ACompag SCSIfrf“fgf□□[f%o
,É□Ü'±,μ,½□è□# ,Ì,·,x,Ä,ÌSO·t,¨ProLiantfXfgfç□[fW fvXfef€

f{fbfNfX,Ä“®□,μ,Ü,·□BCompag

SMARTfAçEfC/SMART-2fAçEfC/SmartfAçEfC221frf“fgf□□[f%o,É□Ü'±

,¾,è,½ProLiantfXfgfç□[fW fvXfef€,Í□A Compag

SMARTfAçEfC/SMART-2fAçEfC/SmartfAçEfC221frf“fgf□□[f%o,ÅŠç—□,¾,è,Ü,·□B

Compag ProLiantfXfgfç□[fW fvXfef€,É,Â,ç,Ä□Ü,μ,,Í□ACompag ProLiantfXfgfç□[fW fvXfef€
fTf□□[fg,ðŽQ□Æ,μ,Ä,,¾,¾,¾,ç□B

CompagVfXfef€ f}flfWf□f“fg fTf□□[fg

fVfXfef€ f}flfWf□f“fg fffofCfX fhf%ofCfo,Í□AfvXfef€ fwf<fX f□fO,ðfTf□□[fg,μ,Ü,·□iCompag
Professional Workstation 5000□A5100□A6000□A8000,¨,æ,NAP400,Ä,Ì,Y—Lçø,Ä,·□j□B

,±,lfhf%ofCfo,Í□ACompagf}flfWf□f“fg f□□[fNfXfe□[fVf#f“ fG□[fWfFf“fg,ðfTf□□[fg,μ,Ü,·□B

fVfXfef€ f}flfWf□f“fg fTf□□[fg,É,Â,ç,Ä□Ü,μ,,Í□ACompagVfXfef€ f}flfWf□f“fg
fTf□□[fg,ðŽQ□Æ,μ,Ä,,¾,¾,¾,ç□B

Compag CD-ROMfhf%ofCfu

8” {‘¬CD-ROMfhf%ofCfu□A16” {‘¬CD-ROMfhf%ofCfu□A24” {‘¬CD-ROMfhf%ofCfu□A32” {‘¬CD-
ROMfhf%ofCfu,¨,æ,NfgfçEfC f□□[fhCD-ROMfhf%ofCfu,ðfTf□□[fg,·,éffofCfX fhf
%ofCfo,Í□AWindows NT Workstation·W□€□»·i,É·t'® ,μ,Ä,ç,Ü,·□BWindows NT
Workstation,lfCf“fXfg□[f<fvf□fZfX't□A,±,è,ç,lfffofCfX,ð“FŽ¨ ,μ,ÄfCf“fXfg□[f<,·,é,±,Æ,ª,Ä,«,Ü,·□B

Compag CD-ROMfhf%ofCfu,Æ'¼,lfRf“fpfbfN□»·i,lfTf□□[fg^è—,Í□AWindows NT
Workstation·W□€fPfbfP□[fW,Ä'ñ<ÿ,¾,è,è,à,Ì,ðŽQ□Æ,μ,Ä,,¾,¾,¾,ç□B

CompagOf%oftfBfbfNfX frf“fgf□□[f%o—pCompagOf%oftfBfbfNfX fhf%ofCfo fTf□□[fg

CompagOf%oftfBfbfNfX frf“fgf□□[f%o,ðfTf□□[fg,·,é,½,β,É·K—v,ÉffofCfX fhf
%ofCfo,Í□AWindows NT Workstation·W□€□»·i,É“ü,Ä,Ä,ç,Ü,·□BCompag Qvision
1280/P□AQvision 1280/P +□AQvision 1280/E,¨,æ,NCirrus

5434□A5436□A,¨,æ,N5446frf“fgf□□[f%o,ðfTf□□[fg,·,éAfbfvff□[fg—pfhf%ofCfo,Í□ACompag

Windows NT Workstation fOf%oftfBfbfNfX fTf[]fg fffBfXfPfbfgv.3.00i[]»•i"Ô[]+186934-291[]j,É"ü,Á,Ä,ç,Û,·[]B

f[]ffBfl fhf%ofCfo fTf[]fg

ESS 1868/1869 AudioDrivefRf"fgf[]f%o,lfTf[]fg fftfgfEjFfA,í[]ACompaq Windows NT Workstation SSD,©,çfCf"fxfg[]f<,·,é,±,Æ,ª,Ä,«,Û,·[]B

ESS 1868/1869 AudioDrivefhf%ofCfo,É,Â,ç,ÄÛ,µ,,í[]A[Compaq Professional Workstation,lf\[\]ffBfl fTf\[\]fg](#),ðŽQ[]Æ,µ,Ä,,¾,¾,ç[]B

fffBfXfvfÆfC fhf%ofCfo fTf[]fg

^È%o°,lfBfXfvfÆfC fhf%ofCfo,lfTf[]fg fftfgfEjFfA,í[]Compaq Windows NT Workstation SSD,©,ç,ì,ŸfCf"fxfg[]f<,Á,«,Û,·[]B

- []E 3Dlabs Oxygen GVX1fOf%oftfBfbfNfX fRf"fgf[]f%o fhf%ofCfo
- []E Compaq PowerStorm 300fOf%oftfBfbfNfX fRf"fgf[]f%o fhf%ofCfo
- []E Compaq PowerStorm 600fOf%oftfBfbfNfX fRf"fgf[]f%o fhf%ofCfo
- []E Diamond Multimedia Fire GL 4000fOf%oftfBfbfNfX fRf"fgf[]f%o fhf%ofCfo
- []E ELSA GLoria-L 3DfOf%oftfBfbfNfX fRf"fgf[]f%o fhf%ofCfo
- []E ELSA GLoria-XL 3DfOf%oftfBfbfNfX fRf"fgf[]f%o fhf%ofCfo
- []E ELSA GLoria Synergy/Synergy+ 3DfOf%oftfBfbfNfX fRf"fgf[]f%o fhf%ofCfo
- []E ELSA Synergy II fOf%oftfBfbfNfX fRf"fgf[]f%o fhf%ofCfo
- []E Matrox Millennium II PCI/Millennium G200 PCI/Millennium G200 AGP fOf%oftfBfbfNfX fRf"fgf[]f%o fhf%ofCfo
- []E Matrox MGA Millennium fOf%oftfBfbfNfX fRf"fgf[]f%o fhf%ofCfo

[]ã<L,lfBfXfvfÆfC fhf%ofCfo,afTf[]fg,·,éfOf%oftfBfbfNfX fRf"fgf[]f%o,É,Â,ç,Ä,í[]A[Compaq Professional Workstation,lfOf%oftfBfbfNfX fTf\[\]fg](#),ðŽQ[]Æ,µ,Ä,,¾,¾,ç[]B

{button ï½Ö~Ai½ï½ï½ï½ï½ï½,AL(` installing;overview;obtaining;support',0,`, `')}



ftf|[]fg^ê---

^È%º,í[]AWindows NT Workstation 4.0ftf|[]fg f\ftfgfEfFfA fffBfXfPfbfg[]iNT
 SSD[]j,Ü,½,íMicrosoft Windows NT Workstation•W[]€fpfbfP[]fW,l,ç,,è,©,Åftf|[]fg,³,è,Ä,ç
 ,éRf“fPfbfN,lRf“fgf[]f%o,ÆfffofCfX,l^ê---,Å,·[]B[]mCompaq[]n,l-ñ,É[]mX[]n,Æ,ç,x^ó,ª•t,ç
 ,Ä,ç,éfffofCfX fhf%ofCfo,í[]ACompaq Windows NT Workstation SSD,©,çfCf“fXfg[]f<,µ,Ä,-
 ,¾,³,ç[]B[]mMicrosoft[]n,l-ñ,É[]mX[]n,Æ,ç,x^ó,ª•t,ç,Ä,ç,éfffofCfX fhf%ofCfo,í[]AMicrosoft
 Windows NT Workstation•W[]€fpfbfP[]fW,ÉŠÜ,Ü,è,Ä,ç,Ü,·[]B[]mMicrosoft[]n,l-
 ñ,Ä[]m[]œ[]n,Æ,ç,x^ó,ª•t,ç,Ä,ç,ééê[]±,í[]A,»,\fffofCfX fhf%ofCfo,ª•W[]€fpfbfP[]fW,É,à“ü,Ä,Ä,ç
 ,é,±,Æ,ðŽ,µ,Ü,·,ª[]ACompaq Windows NT Workstation SSD,É“ü,Ä,Ä,ç,éfhf
 %ofCfo,l•ü,ªV,µ,çfo[]fWf#f“,Ä,·,ì,Ä[]ACompaq Windows NT Workstation SSD,\fffofCfX fhf
 %ofCfo,l•ü,ðfCf“fXfg[]f<,µ,Ä,¾,³,ç[]B

•9. Compaq Windows NT Workstation SSDftf|[]fg^ê---

fRf“f []f f“fg	Compaq Microsoft	
fAfCEfC fRf“fgf[]f%o		
SMART-2DHfAfCEfC fRf“fgf[]f%o	X	[]œ
SMART-2/PfAfCEfC fRf“fgf[]f%o	X	[]œ
SMART-2/SLfAfCEfC fRf“fgf[]f%o	X	[]œ
SCSIfRf“fgf[]f%o		
Adaptec AIC-78xx PCI SCSIfRf“fgf[]f%o	X	[]œ
Compaq ATAPI/IDEfRf“fgf[]f%o	X	
Compaqfff...fAf< f`fff f<“à’ Wide-Ultra SCSI-3fRf“fgf[]f%o	X	
Compaq Wide-Ultra SCSI-3fRf“fgf[]f%o*	X	[]œ
Fast SCSI-2fRf“fgf[]f%o	X	[]œ
“à’ 32frfbfgFast SCSI-2/PfRf“fgf[]f%o	X	[]œ
“à’ 32frfbfgFast-Wide SCSI-2/PfRf“fgf[]f%o	X	[]œ
“à’ Wide-Ultra SCSIfRf“fgf[]f%o	X	[]œ
fff...fAf< f`fff f<Wide-Ultra SCSI-3fRf“fgf[]f%o flfvfVf#f“	X	[]œ
f{[]fh		
Compaq Wide-Ultra SCSI-3fRf“fgf[]f%o flfvfVf#f“ f{[]fh*	X	[]œ
“à’ 32frfbfgFast-Wide SCSI-2/PfRf“fgf[]f%o flfvfVf#f“	X	[]œ
f{[]fh		
Symbios Wide Ultra2 PCI SCSIfRf“fgf[]f%o	X	[]œ
flfbfgf[]fN		
Compaq NC3161 Fast Ethernet NIC	X	[]œ
Compaq NC3131 Fast Ethernet NIC	X	[]œ
Compaq NC3121 Fast Ethernet NIC	X	[]œ
Compaq NC3120 Fast Ethernet NIC	X	[]œ
Compaq NC1120 Fast Ethernet NIC	X	
Compaq Netelligent 10 T/2 PCI UTP/CoaxfRf“fgf[]f%o	X	[]œ
Compaq Netelligent 10 T PCI UTPfRf“fgf[]f%o	X	[]œ
Compaq Netelligent 10/100 TX PCI UTPfRf“fgf[]f%o	X	[]œ
Compaq Netelligentfff...fAf<10/100 TX PCI UTPfRf“fgf[]f%o	X	[]œ
NetFlex-3/PfRf“fgf[]f%o	X	[]œ
Compaq 10/100 TX Embedded UTP/CoaxfRf“fgf[]f%o	X	[]œ
Compaq 10/100 TX Embedded UTP/AUIfRf“fgf[]f%o	X	[]œ
Compaq Netelligent 10/100 TX Embedded UTPfRf“fgf[]f%o	X	[]œ
Compaq NetFlex-3 EmbeddedfRf“fgf[]f%o	X	[]œ

flfbfgf[]fN f,fWf...[]f< fAfbfvfOfCE[]fh flfvVf#f"		
100 VGf,fWf...[]f<	X	[]œ
10/100TXf,fWf...[]f<	X	[]œ
100 Base-FXf,fWf...[]f<	X	[]œ
Compaq NC3132 Fast Ethernetf,fWf...[]f<	X	[]œ
Compaq NC3133 Fast Ethernetf,fWf...[]f<	X	[]œ
Compaq NC6132 Gigabitf,fWf...[]f<	X	[]œ
Compaq NC6133 Gigabitf,fWf...[]f<	X	[]œ

f[]fffBfi		
ESS 1868/1869 AudioDrivefRf"fgh[]f%	X	[]œ

fOf%oftfBfbfNfX		
3Dlabs Oxygen GVX1fOf%oftfBfbfNfX fRf"fgh[]f%	X	[]œ
Compaq PowerStorm 300fOf%oftfBfbfNfX fRf"fgh[]f%	X	[]œ
Compaq PowerStorm 600fOf%oftfBfbfNfX fRf"fgh[]f%	X	[]œ
Diamond Multimedia Fire GL 4000fOf%oftfBfbfNfX fRf"fgh[]f%	X	[]œ
ELSA GLoria-LfOf%oftfBfbfNfX fRf"fgh[]f%	X	[]œ
ELSA GLoria-XLfOf%oftfBfbfNfX fRf"fgh[]f%	X	[]œ
ELSA GLoria SynergyfOf%oftfBfbfNfX fRf"fgh[]f%	X	[]œ
ELSA GLoria Synergy+fOf%oftfBfbfNfX fRf"fgh[]f%	X	[]œ
ELSA Synergy IIfOf%oftfBfbfNfX fRf"fgh[]f%	X	[]œ
Matorox Millennium II PCI/Millennium G200 PCI/Millennium G200 AGPfOf%oftfBfbfNfX fRf"fgh[]f%	X	[]œ
Matorox MGA MillenniumfOf%oftfBfbfNfX fRf"fgh[]f%	X	[]œ

ft[]fefBfŠfefB		
CompaqAfhfOf"fXfg flfbfgf[]fN fRf"fgh[]f< ft[]fefBfŠfefB	X	
CompaqAfCEfC fRf"ftfBfMf...fCE[]fVf#f" ft[]fefBfŠfefB	X	

,>,i'¼		
ProLiantfXfgfCE[]fW fvXfef€	X	
fvXfef€ fwf<fX f[]fO[]iCompaq Professional Workstation 5000[]A5100[]A6000[]A8000, ,æ,ÑAP400,ì,Ý[]	X	
Compaq CD-ROMfhf%ofCfu		X
Logitechf}fEfX	X	[]œ

* ,±,lfRf"fgh[]f%,í'Ê[]32frfbfgWide Ultra SCSI-2/PfRf"fgh[]f%,ÆCEÄ,î,ê,Ä,ç,Ü,·[]B

Microsoft Windows NT Workstation•W[]€fpfbfP[]fW,É,Í[]AfRf"fpfbfN,ì[]»•i-¼^ÈŠO,ÅŽQ[]Æ,³,ê,Ä,ç,éfhf%ofCfo,ª, ,è,Ü,·[]BfRf"fpfbfN,lfifvVf#f",ðfTf[]f[]fg,·,é,É,Í[]A^È%º,ì•\,ÉŽ,³,ê,½fhf%ofCfo,ðŽg—p,µ,Ä,,¾,¾,ç[]B

•\10. fhf%ofCfo,lfCf"fXfg[]f•û-@

fRf"fpfbfN[]»•i	Žg—p,·,éWindows NT Workstationfhf%ofCfo-¾	fCf"fXfg[]f•û-@
Compaq 32frfbfgFast-SCSI-2fRf"fgh[]f%	NCR 53C710 SCSIlfzfXfg fAf_fvf^	[[Y'è]->[fRf"fgh[]f< fpflf<->[SCSI fAf_fvf^]
"à' 32frfbfgFast-SCSI-2/PfRf"fgh[]f%	Symbios Logic C810 PCI SCSIlfzfXfg fAf_fvf^	[[Y'è]->[fRf"fgh[]f< fpflf<->[SCSI fAf_fvf^]
"à' 32frfbfgFast-Wide SCSI-	Symbios Logic C825 PCI	[[Y'è]->[fRf"fgh[]f< fpflf<-

2/PfRf“fgf□□lf%o

SCSIzfXfg fAf_fvf^

>[SCSI fAf_fvf^]

```
{button i; ½Ö~Aï; ½i; ½i; ½i; ½i; ½,AL(`installing;overview;new  
features;obtaining;support',0,`,`')}
```

Compaq Windows NT Workstation SSDfZfbfgfAfbfv fvf fOf%of€,ì<N“®

1. Compaq Windows NT Workstation SSD, ãfn [fhfffBfXfN ä,É,È, ¯,ê,î ASmartStart for Workstations CD, ðCD-ROMfhf%ofCfu,É' }“ü,µ,Ü,· B
2. [fXf^ [fg]f f jf... [., ©, ç [ftf@fCf<-¼, ðŽw'è,µ,ÄŽÁ[s], ð'ì'ð,µ,Ü,· B
3. [ŽQ [Æ], ðfNfŠfbfN,µ ACompaq Windows NT Workstation SSDfZfbfgfAfbfv ftf@fCf< iSETUP.EXE j, ð'T,µ,Ü,· B

' : SmartStart for Workstations CD, Å, í AX:\INTSSD\SETUP.EXE iX, íCD-ROMfhf %ofCfu-¼ j, Å,· B
4. [OK], ðfNfŠfbfN,µ,Ü,· B

Compaq Windows NT Workstation SSD Ver 2.05A,ÉŠÖ,μ,Ä
1999"N7ĀŽ

© 1999 Compaq Computer Corporation.

All rights reserved.

© 1999 fRf“fpfbfNfRf“fsf...[]f^Š”Ž®%iŽĐ

-{[]',É<L[]Ú,³,ê,Ä,č,é%iŽĐ-¼[]A[]»•i-¼,Í[]A,»,ê,¼,êŠeŽĐ,ì[]α•W,Ü,½,Í“o~^[]α•W,Å,·[]B



Compaq fvf fZfbfT, ìfTf| f|fg

fRf“fpfbfN, ìfn|fhfEfFfA»•i, ìfvf“fOf< fvf fZfbfT, “, æ, Ñf}f<f` fvf fZfbfT fTf| f|fg, ÍMicrosoft Windows NT Workstation 4.0 CD, Å'ñ<ÿ,³,ê,Û,·B

{button ì½Ö~Aï½ï½ï½ï½,AL(` conversion;HAL recovery',0,`, `)}



Compaq HAL

fCf" fXfg [f<, Ü, ½, í í œ

, ±, ìft [f efBf ŠfefB, ðfCf" fXfg [f<, Ü, ½, í í œ, , é, É, í A ^ È % °, ì Ž è ð †, É, Á, Ä, , ¾, ³, ç ð B

1. Windows NT Workstation, ð < N " ® , µ A Š Ç —
 ð Ž Ò i Administrator, ì Ç È À , , é f A f j f E f " f g , Å f f O f C f " , µ , Ü , · ð B
2. [Compaq Windows NT Workstation SSD. ì f Z f b f g f A f b f v f v f f O f % ° f € ì S E T U P . E X E ì , ð Ž À s , µ , Ü , · ð B](#)
3. [HAL C œ f l f v f v f f "] , ð ' l ' ð , µ , Ä A [' g , Ý ð Ž , Ý] A , Ü , ½ , í [í í œ] , ð f N f Š f b f N , µ , Ü , · ð B
4. Windows NT Workstation 4.0 CD, Ü , ½ , í Windows NT Service Pack, ð " ü , è , é , æ , x , É < , ß , ç , è , ½ , ç A , ± , è , ð ' } " ü , µ , Ü , · ð B
5. f Z f b f g f A f b f v f v f f O f % ° f € , ð ì — ¹ , , é , © A ' ¼ , ì f R f " f [f l f " f g , ì ' g , Ý ð Ž , Ý / X V / í í œ , ð ' l ' ð , µ , Ü , · ð B
6. f R f " f s f ... [f ^ , ð Ä < N " ® , , é f l f v f v f f " , ð ' l ' ð , µ A f Z f b f g f A f b f v f v f f O f % ° f € , ð ì — ¹ , µ , ½ , ç C D , ð Ž æ , è ð o , µ , Ü , · ð B

HAL C œ f l f v f v f f " , ð f C f " f X f g [f < , µ , Ä f v f X f e f € , ð Ä < N " ® , , é , Æ A f e f l f X f g f x [f X , ì < N " ® f l f v f v f f " % ° æ - È , É [HAL Recovery Mode] , Æ , ç , x V , µ , ç s , ð Š f X f g , ³ , è , Ü , · ð B f v f X f e f € , Å Ž g - p % ° Ä " \ , È < N " ® f l f v f v f f " , ì - á , ð ^ È % ° , É Ž ì , µ , Ü , · ð B

Windows NT Workstation Version 4.0
Windows NT Workstation Version 4.0 [HAL Recovery Mode]
Windows NT Workstation Version 4.0 [VGA Mode]

[HAL Recovery Mode], ð ' l ' ð , , é , Æ A Windows NT Workstation, ì ð ' ý ' è , í A f v f " f O f < f v f f Z f b f T H A L , Æ f j [f l f < , ð Ž g — p , µ , Ä < N " ® , ³ , è , Ü , · ð B H A L C œ , í A H A L C œ , ð ' g , Ý ð Ž , ñ , ¾ , Æ , « , É ' g , Ý ð Ž , Ü , è , ½ f v f " f O f < f v f f Z f b f T H A L , , Æ , ñ f j [f l f < , ì f o f b f N f A f b f v f R f s [, ð Ž g — p , µ , Ä < N " ® , ³ , è , Ü , · ð B H A L C œ f , [f h , ð Ž g — p , µ , Ä Windows NT Workstation, ð < N " ® , , é , Æ A C o m p a q Windows NT Workstation f T f [f g f f f t f g f E f f A f Z f b f g f A f b f v , ð Ž g — p , µ , Ä C ³ , ì H A L , , æ , Ñ f j [f l f < , ð C œ , , é , © A , Ü , ½ , í œ C ³ , , é , ± , Æ , ð , Ä , « , Ü , · ð B

HAL C œ f l f v f v f f " , ì Ž g - p

Compaq HAL C œ f l f v f v f f " , í A f } f < f f v f f Z f b f T f v f X f e f € , ð Ž g - p , , é f t [f U , ð Ž Ÿ , ì , ç , , è , © , ì Ç < % ° È , Æ , µ , Ä " ð ¶ , , é % ° Ä " \ « , ì , é f u f < [f X f N f Š [f " , ì f g f % ° f b f v , © , ç A œ < C E , , é , ½ , ß , É Ž g - p , Ä , « , é < @ " \ , Ä , · ð B

- E HAL, Æ f j [f l f < , ì " ~ Š ú , ð , Æ , è , Ä , ç , È , ç ð i , ½ , Æ , ì , í A f } f < f f v f f Z f b f T H A L , Æ f v f " f O f < f v f f Z f b f T f j [f l f <]
- E HAL f t f @ f C f < , ð " j % ° ó , ³ , è , Ä , ç , é

, ± , ì , æ , x , È ð ó ' Ô , Ä , í A Windows NT Workstation, ð ð ³ í , È < N " ® , , é , ± , Æ , ð , Ä , « , Ü , ¹ , ñ B H A L C œ f l f v f v f f " , í A , ± , ì , æ , x , È ð ó ' Ô , Ä , à Windows NT Workstation, ð ð ³ í , È < N " ® , Ä , « , é , æ , x , È C œ , Ä , « , Ü , · ð B

' ½ , , ì è ð † A f C f " f X f g [f < , ³ , è , Ä , ç , é H A L , Æ f v f X f e f € f n [f h f E f f A , Æ , ì s ^ è ' v , È , æ , é , à , ì , Ä , · ð B , ½ , Æ , ì , í A f v f f Z f b f T f { [f h , ð 1 , Ä , ¾ , ~ Ž ç , µ , Ä " ² , « Ž æ , Ä , ½ , è A f v f f Z f b f T f { [f h , ð 1 , Ä , ð ð œ , ç , Ä , , x , Ä Ç È í á , µ , ½ è ð † , È , Ç , í A Ž Ÿ , É f v f X f e f € , ð < N " ® , µ , ½ , Æ , « , É f u f < [f X f N f Š [f " f g f % ° f b f v , ð < N , ±

,è,Ü,·□B,±,é,í□AfVfXfef€□ã,ÉfVf□fZfbfT,ª1,Â,µ,©“®□ì,µ,Ä,ç,É,ç,É,à,©,©,í,ç,·□Af}fçf`
fvf□fZfbfTHAL,ðŽg,Á,ÁfVfXfef€,ð<N“® ,µ,æ,æ,Æ,µ,½,½,ß,Á,·□B

fVfXfef€,ð□Ä“x<N“® ,Ä,« ,é,æ,æ,ÉCE³,ìWindows NT
Workstation,ìHAL,¨,æ,Ñfj□[f]fç,É□C•œ,Ü,½,í•œCE³,·,é,É,í□A^È%ºº,ìŽè□±,ð□s,Á,Ä,-
,¾,¾,¾,ç□B,¾,¾,µ□A^È%ºº,ÉfSfXfg,·,éfP□[fX,Á,í□Afufç□[fXfNfS□[f“ ,ìfgf%ººfbfv,ª”-
□□,·,é’O,ÉHAL□C•œfìfvfVfç“ ,ªfCf“fXfg□[fç,³,è,Ä,ç,é,±,Æ,ð’O’ñ,Æ,µ,Ü,·□B

fP□[fX1

fvfXfef€□□-: f}fçf` fvf□fZfbfTHAL□Af}fçf` fvf□fZfbfT fj□[f]fç□Afvf□fZfbfT2,Á

-â`è,ìCE`^`ò: f}fçf` fvf□fZfbfTHAL,Æf}fçf` fvf□fZfbfT
fj□[f]fç,ðf_fEf“fOfCE□[fh,µ,É,ç,ÁfZfjff“f_š
fvf□fZfbfT,ðŽæ,èŠO,µ,½□B,Ü,½,ìfZfjff“f_š fvf□fZfbfT,ìCE±š×□B

-â`è: fVfXfef€,ð□Ä<N“® ,·,é,Æ□AWindows NT
Workstation,í“®□ì,µ,Ä,ç,éfvf□fZfbfT,ª1,Â,ìfVfXfef€,É’í,µ,Áf}fçf`
fvf□fZfbfTHAL,Æf}fçf` fvf□fZfbfT fj□[f]fç,ðŽg—p,µ,Ä<N“® ,µ,æ,æ,
,Æ,µ,Ü,·□B,±,ì□ó<µ,Á,í□A•s□³,ÉHAL,ªfCf“fXfg□[fç,³,è,Ä,ç,é,±
,Æ,ðŽì,·fufç□[fXfNfS□[f“ ,ìfgf%ººfbfv,ª•\Žì,³,è,Ü,·□B

- %ººðCE^`ò:**
- (1) <N“®fìfvfVfç“ ,ª%ººæ-É,É•\Žì,³,è,½,ç□A[HAL Recovery Mode],ðŽg—p,µ,Á□AWindows NT Workstation,ð<N“® ,µ,Ü,·□BfZfjff“f_š fvf□fZfbfT,ªŽg—p %ººÄ“\,É,È,é,Ü,Á,±,ìf,□[fh,Ä<N“® ,µ,Ü,·□B
 - (2) fZfjff“f_š fvf□fZfbfT,ðfCf“fXfg□[fç,µ,Ä□A□Y`è,í•ì□X,µ,É,ç ,ÁWindows NT Workstation,ð<N“® ,µ,Ü,·□B

fP□[fX2

fvfXfef€□□-: f}fçf` fvf□fZfbfTHAL□Af}fçf` fvf□fZfbfT
fj□[f]fç□Afvf□fZfbfT2,Á^È□ã

-â`è,ìCE`^`ò: f}fçf` fvf□fZfbfTHALftf@fCfç,ª¹□□,µ,Ä,ç,é,©□AZ ,í,è,Ä,ç,é□B

-â`è: fVfXfef€,ð□Ä<N“® ,·,é,Æ□AWindows NT Workstation,í¹□□,µ,Ä,ç ,ÉHALftf@fCfç,ðŽg—p,µ,Ä<N“® ,µ,æ,æ,Æ,µ,Ü,·□B,± ,ì□ó<µ,Á,í□A•s□³,ÉHAL,ªfCf“fXfg□[fç,³,è,Ä,ç,é,± ,Æ,ðŽì,·fufç□[fXfNfS□[f“ ,ìfgf%ººfbfv,ª•\Žì,³,è,Ü,·□B

- %ººðCE^`ò:**
1. <N“®fìfvfVfç“ ,ª%ººæ-É,É•\Žì,³,è,½,ç□A[HAL Recovery Mode],ðŽg—p,µ,Á□AWindows NT Workstation,ð<N“® ,µ,Ü,·□B
 2. ŠC—□ŽÖ□iAdministrator□,ìCE CEÀ,ª ,éfAfjffEf“fg,Áf□fOfCf“ , µ,Ü,·□B
 3. [Compaq Windows NT Workstation SSD,ìfZfbfgfAfbfv fvf□fOf%ººf€□iSETUP.EXE□,ðŽÄ□s,µ,Ü,·□B](#)
 4. [fvf“fOfç fvf□fZfbfTHALfj□[f]fç],ð’ì’ð,µ□A[fAfbfvfOfCE□[fh] ,ðfNfSfNfN,µ,Ü,·□BWindows NT Workstation 4.0 CD,Ü,½,ìWindows NT Service Pack,ð”ü,é,é,æ,æ ,É<□,ß,ç,è,½,ç□A,ç,·,é,©,ð’}“ü,µ,Ü,·□B,±,è,Áf}fçf` fvf□fZfbfTHAL,¨,æ,Ñfj□[f]fç,ªfCf“fXfg□[fç,³,è,Ü,·□B
 5. fZfbfgfAfbfv fvf□fOf%ººf€,ð□ì—¹,·,é,©□A,Ü,½,í¹¼,ìf ftfgfEfFfA fRf“f□[f]fçfg,ì’g,Ý□ž,Ý□X□V□í□œ,ðŽÄ□s,µ,Ü,·□B
 6. fRf“fsf...□[f^ ,ð□Ä<N“® ,·,é,ìfvfVfç“ ,ð’ì’ð,µ□AfZfbfgfAfbfv fvf□fOf%ººf€,ª□ì—¹,µ,½,çCD,ðŽæ,è□o,µ,Ü,·□B
 7. ,±,è,ÁHAL,¨,æ,Ñfj□[f]fç ftf@fCfç,ª•œCE³/□C•œ,³,è,é,ì,Á’É□í,ì□Y`è,ÁWindows NT Workstation,ð<N“® ,·,é,±,Æ,ª,Ä,« ,Ü,·□B

fP[]fX3

fvfXfef€[]-: fvf"fof< fvf[]fZfbfTHAL[]Af}f<` fvf[]fZfbfT f[]f[]f<[]Afvf[]fZfbfT1,À

-â'è,ì€'^ô: f}f<` fvf[]fZfbfTHALftf@fCf<,â¹[][],µ,Ä,ç,é,©[]AZ,í,ê,Ä,ç,é[]B

-â'è: fvfXfef€,ð[]Ä<N"®,·,é,Æ[]AWindows NT Workstation,Í¹[][],µ,Ä,ç,é,ÉHALftf@fCf<,ðŽg—p,µ,Ä<N"®,µ,æ,æ,Æ,µ,Ü,·[]B,±,ì[]ó<µ,Ä,í[]A·s³,ÉHAL,âfCf"fXfg[]f<,³,ê,Ä,ç,é,±,Æ,ðŽ!,·fuf<[]fXfNfS[]f",ìfgf%°fbfv,â\Ž!,³,ê,Ü,·[]B

- %°ð€^[]ô:**
1. <N"®f[]fvfVf#f",°%°æ-Ê,É·\Ž!,³,ê,½,ç[]A[HAL Recovery Mode],ðŽg—p,µ,Ä[]AWindows NT Workstation,ð<N"®,µ,Ü,·[]B
 2. ŠÇ—[]ŽÒ[]Administrator[],ì€ CEÀ,â,·éfA[]fEf"f,Áf[]fOfCf",µ,Ü,·[]B
 3. [fXf^[]f[]g]f[]f[]f...[],©,ç[f[]f[]f@fCf<-¼,ðŽw'è,µ,ÄŽÀ[]s],ð'í'ð,µ[]ACMD,Æf^fCfv,µEnterfL[][,ð%°Ÿ,µ,Ü,·[]B
 4. fffBf[]fNfgfŠ,ð\SystemRoot\System32,É^Ú"®,µ,Ü,·[]B
 5. ^É%°°,ìfRf}f"f,ðŽÀ[]s,µ,Ä[]AHAL Recovery Mode,ÄŽg—p,·,é,ÉHALftf@fCf<,ð€³,ìftf@fCf<,ÉfRfs[],µ,Ü,·[]B
Copy uphal.dll hal.dll
Copy upkernel.exe ntoskrnl.exe
,±,ê,ÄHAL,°,æ,Ñfj[]f[]f<ftf@fCf<,â·œ€³/[]C·œ,³,ê,é,ì,Á'É[]í,ì[]Ý'è,ÄWindows NT Workstation,ð<N"®,·,é,±,Æ,â,Ä,«,Ü,·[]B

HAL[]C·œf[]fvfVf#f",ðfCf"fXfg[]f<,·,é,Æ[]AfVfXfef€,âfVf"fof< fvf[]fZfbfT fvfXfef€
,É,È,Á,½[]é[]#,Á,à,±,ìf[]fvfVf#f",ð,ç,Á,Á,àŽg—p,·,é,±,Æ,â,Ä,«,Ü,·[]B

'[]FHAL[]C·œf[]fvfVf#f",í[]A[],'¬]fZfbfgfAfbfv,Á,í\Ž!,³,ê,Ü,¹,ñ[]B[f[]fXf^f€]fZfbfgfAfbfv,Á,í,Ý·\Ž!,³,ê,Ü,·[]B

[]d—v[]F f}f<` fvf[]fZfbfT fvfXfef€,Á,í[]AHAL[]C·œf[]fvfVf#f",ðfCf"fXfg[]f<,·,é,±,Æ,ð,°,·,·,ß,µ,Ü,·[]B,½,¾,µ[]AHAL[]C·œf[]fvfVf#f",ðfCf"fXfg[]f<,µ,Ä,à[]AWindows NT Workstation,ì'É[]í,ì<N"®·û-@,Æ,µ,ÄHALfŠfjfofŠ f,[]fh,ðŽg—p,µ,È,ç,Á,-¾,¾,ç[]BHAL,Ü,½,ìfj[]f[]f<,É-â'è,â"[]¶,µ,½€<%°É[]ACE³,ìWindows NT Workstation,â<N"®,Á,«,È,ç[]é[]#,ì,ÝHAL[]C·œf[]fvfVf#f",ðŽg—p,µ,Ä,,¾,¾,ç[]BHALfŠfjfofŠ f,[]fh,í[]AWindows NT Workstation[]Ý'è,ð<N"®,·,é,½,ß,ìfofbfNfAfbfv,ì·û-@,Æ,µ,ÄŽg—p,µ,Ä,,¾,¾,ç[]B

{button ï½Ö~Aï½ï½ï½ï½ï½,AL(` conversion',0,`,`,'')}



Windows NT Workstation 4.0, Compaq Windows NT Workstation SSD, Microsoft Windows NT Workstation 4.0 CD, Service Pack 1, 2, 3, 4

Windows NT Workstation 4.0, Compaq Windows NT Workstation SSD, Microsoft Windows NT Workstation 4.0 CD, Service Pack 1, 2, 3, 4

Installation Instructions

1. Insert the Windows NT Workstation 4.0 CD into the CD-ROM drive. The Windows NT Workstation 4.0 Setup program will start automatically. If it does not, you can start it by running the command `cdrom /d: /q` at the command prompt.

Service Packs

Windows NT Workstation 4.0 Service Pack 1, 2, 3, 4

1. Windows NT Workstation 4.0 Service Pack 1, 2, 3, 4
2. [Compaq Windows NT Workstation SSD, Microsoft Windows NT Workstation 4.0 CD, Service Pack 1, 2, 3, 4](#)
3. `[f]fCf"]%æ-Ê,Å[fAfbvfOfCE[fh],Ü,½,Í[f_fEf"fofCE[fh],ð'I'ð,µ,Ü,·B`
4. Windows NT Workstation 4.0 CD, Windows NT Service Pack 1, 2, 3, 4
5. `[f]f"fg,Ì'g,Ýž,Ý/X/V/ííœ,ðŽÀs,µ,Ü,·B`
6. `fRf"fsf...[f^,ðÄ<N"®;,élfvfVfþ",ð'I'ð,µA[ZfbfgfAfbfv fvfOfOf%of€,æ|—1,µ,½,çCD,ðŽæ,èo,µ,Ü,·B`

{button ĩ½Ö~Aĩ½ĩ½ĩ½ĩ½ĩ½,AL(` HAL recovery',0,`, `')}



Compaq MP/UP HAL,É,Â,ç,Ä

Windows NT Workstation 4.0,ÅfVf“fOf< fvf[]fZfbfT,©,çf}f<f`
fvf[]fZfbfT,ÖfAfbfVfOfCE[]fh,·,é,É,Í[]ACompaq Windows NT Workstation SSD,ðŽg—p,µ,Ä,-
,¾,¾,ç[]BHAL,“,æ,Nfj[]f|f< ftf@fCf<,Í[]AMicrosoft Windows NT Workstation 4.0 CD,ÉŠÜ,Ü,ê,Ä,ç
,Ü,·[]B

UP/MP HAL,ÆUP/MPfj[]f|f<,ì—LCEø,È‘g,Ý[]#,í,¹,Í^È%º,ì,Æ,“,è,Å,·

- E UPfj[]f|f<,ÆUP HAL
- E MPfj[]f|f<,ÆMP HAL

{button ĩ¿½Ö~Aĩ¿½ĩ¿½ĩ¿½ĩ¿½,AL(` HAL recovery',0,`, `')}



Compaq SCSI Rf "fgf [f%o, lfTf] [fg

Compaq SCSI Rf "fgf [f%o fhf%ofCfo, íA^È%oº, lfRf "fgf [f%o, ðfTf] [fg, µ, Ü, ·B

- E Compaq 32frfbfgSCSI-2fRf "fgf [f%o
- E Compaq SCSI-2fRf "fgf [f%o
- E Compaq SCSI-3fRf "fgf [f%o

Compaq SCSI Rf "fgf [f%o fhf%ofCfo

Compaq SCSI Rf "fgf [f%o—p, É□Á "K%o», ³, è, ½fhf%ofCfo, íAWindows NT Workstation SSD, Á'ñ<ÿ, ³, è, Ä, ç, Ü, ·B Compaq 32frfbfgSCSI-2fhf%ofCfo íCPQ32FS2.SYSfhf %ofCfo, íA Compaq f} flfWf [fg f [fNfXfe [fVf†f" fG [fWfFf "fg, ðfTf] [fg, ·é—B^è, lfhf %ofCfo, Ä, ·B, ±, lfhf%ofCfo, É, íA fRf "fpbfN, íSCSI Rf "fgf [f%o—p, íSg'ÉfTf] [fg, ÆfofO□C³, ³, äSÜ, Ü, è, Ä, ç, Ü, ·B, Ü, ½A Compaq ProLiantfXfgf€ [fW fVfXfef€—p, ífffofCfX fhf %ofCfo, äSÜ, Ü, è, Ä, ç, Ü, ·B, ±, lfhf%ofCfo, íA Compaq SCSI Rf "fgf [f%o, ÉCompaq ProLiantfXfgf€ [fW fVfXfef€ íSÖ " , Ü, ½, í"à" □j, ³, äÜ'±, ³, è, Ä, ç, é□è†, ÉŽg—p, ³, è, Ü, ·B

fTf] [fg, ³, è, éfn [fhfE fJA

, ±, lfhf%ofCfo, íA^È%oº, íSCSI Rf "fgf [f%o, ðfTf] [fg, µ, Ü, ·B

- E Compaqfff...fAf< f' ffflf<"à' Wide-Ultra SCSI-3fRf "fgf [f%o
- E Compaq Wide-Ultra SCSI-3fRf "fgf [f%o*
- E Compaq 32frfbfgFast SCSI-2fRf "fgf [f%o
- E "à' 32frfbfgFast-SCSI-2/PfRf "fgf [f%o
- E "à' 32frfbfgFast-Wide SCSI-2/PfRf "fgf [f%o
- * , ±, lfRf "fgf [f%o, íA□—^32frfbfgWide-Ultra SCSI-2/PfRf "fgf [f%o, ÆCEÄ, Í, è, Ä, ç, Ü, µ, ½B

SÖ ~ Aftf@fCf<

, ±, lfhf%ofCfo, íA^È%oº, íftf@fCf<, ©, ç□\□—, ³, è, Ä, ç, Ü, ·B

CPQ32FS2.SYS Compaq SCSI Rf "fgf [f%o fhf%ofCfo
 FASTSCSI.INF fZfbfgfAfbfv í•ñftf@fCf<

Windows NT WorkstationfCf "fXfg [f<Æä, íCompaq SCSI Rf "fgf [f%o fhf %ofCfo, lfCf "fXfg [f<, ÆfAfbfvff [fg

Windows NT Workstation, lfCf "fXfg [f<□í—¹CEäíA^È%oº, íŽè†, ðŽÀ□s, µ, Ä, , ¾, ¾, ç□B

1. Windows NT Workstation, ð<N"® , µ□AŠC—
 □ŽÖ□íAdministrator□j, íCE CEÄ, ³, , éfAjjfEfg, Áf□fOfCf" , µ, Ü, ·B
2. [Compaq Windows NT Workstation SSD, lfZfbfgfAfbfv fvf□fOf %of€□íSETUP.EXE□j, ðŽÀ□s, µ, Ü, ·B](#)
3. fZfbfgfAfbfv, lf□fCf" fEfbf "fhfE, Á[Compaq SCSI Rf "fgf [f%o], ð'I'ð, µ, Ä□A['g, Ý□ž, Ý] , Ü, ½, í[□X□V], ðfNfŠfbfN, µ, Ü, ·B
4. fZfbfgfAfbfv fvf□fOf%of€, ð□í—¹, ·é, ©□A'¼, lfRf "f□[flf "fg, ì'g, Ý□ž, Ý/□X□V/□í□œ, ð'I'ð, µ, Ü, ·B
5. fRf "fsf... [f^, ð□Ä<N"® , , éflfvfVf†f" , ð'I'ð, µ□AfZfbfgfAfbfv fvf□fOf%of€, ³□í—¹, µ, ½, çCD, ðŽæ, è□o, µ, Ü, ·B

Compaq SCSI

, ±, ĩfhf%ofCfo, đííœ, , é, É, íA^È%º, ìŽè, É, Á, Ä, , ¾, ³, çB

1. Windows NT Workstation, đ<N“® , μAŠÇ—
 ŽÒiAdministratorj, ÌE ĆA, , éfAfjEfg, ÅfOjCf“ , μ, Ü, :B
2. [f}fC fRf“fsf... [f^], đŠJ, «A[fRf“fgf [f< fpfif<]fAfCfRf“, đfNfŠfbfN, μ, Ü, :B
3. fRf“fgf [f<
 fpfif<, ĩ[SCSI fAf_fvf^]fAfCfRf“, đfNfŠfbfN, μ, Ü, :B [SCSI fAf_fvf^]f_fCfAf fO, a•\
 Ž, , é, Ü, :B
4. [fhf%ofCfo]f^fu, đfNfŠfbfN, μ, Ü, :B
5. [Compaq SCSI fRf“fgf [f%], đ'í'đ, μ, Ü, :B
6. [ííœ], đfNfŠfbfN, μ, Ü, :B
7. [fRf“fsf... [f^, ĩÄ<N“®], đ'í'đ, μ, Ü, :B

Compaq SCSI fRf“fgf [f% fhf%ofCfo, đííœ, , éê, ÅA, » , ĩRf“fgf [f%º, a—B^ê, ĩRf“fgf [f%
 , Ä, , éê, A, à, x^“x, » , ĩfhf%ofCfu, ÉfAfNfZfX, , é, ±, Æ, í, Ä, «, Ü, , ĩB

, ±, ĩRf“fgf [f%º, đííœ, μ, È, , ê, Î, È, ç, È, çê, íA, ±, ê, đ•Ê, ĩRf“fgf [f%º, ÆEđŠ, μ, Ä, , ¾, ³, çB

{ button ĩ ½Ö~ Āĩ ½ĩ ½ĩ ½ĩ ½ĩ ½ĩ, AL(` AC support; adaptec SCSI; symbios SCSI; support; ATAPI-
 IDE', 0, `', ') }



Adaptec AIC-78xx PCI SCSI fRf"fgf[]f%

Adaptec AIC-78xx PCI SCSI fRf"fgf[]f%, í APCI - Ultra Wide, ð fVf" fOf< fGf" fh SCSI fRf"fgf[]f%
, Á, · B

fTf|[]fg,³,ê,éfn[]fhfEjFfA

Adaptec AIC-78xx PCI SCSI fRf"fgf[]f% fhf%ofCfo, í A Compaq Professional Workstation
AP200, ð, Ý, Å fTf|[]fg,³,ê,Ü, · B

Adaptec AIC-78xx PCI SCSI fRf"fgf[]f%, ð fCf" fXfg[]f<, ",æ, Ñ fAfbfvff[]fg

, ±, ð fhf%ofCfo, ð fCf" fXfg[]f<, Ü, ½, ð fAfbfvff[]fg, ·, é, É, í A ^ È % °, ð Ž è ð †, É [], Á, Ä, , ¾, ³, ç [] B

1. Windows NT Workstation, ð <N" ®, µ AŠÇ—
ð Ž ð i Administrator [] j, ð CE Å, ¢, , é fA f j f E f " f g, Å f [] f O f C f " , µ, Ü, · B
2. [Compaq Windows NT Workstation SSD, ð fZfbfgfAfbfv fv f \[\] f O f % ° f \[\] i SETUP.EXE \[\] j, ð Ž Å \[\] s, µ, Ü, · B](#)
3. fZfbfgfAfbfv, ð f [] f C f " f E f B f " f h f E, Å [Adaptec AIC-78xx PCI SCSI fRf"fgf[]f%]
, ð ' ð, µ, Å [] A [' g, Y [] ž, Y], Ü, ½, í [[] X [] V], ð f N f Š f b f N, µ, Ü, · B
4. fZfbfgfAfbfv
fv f [] f O f % ° f €, ð [] —¹, ·, é, © [] A ' ¼, ð f R f " f j [] f l f " f g, ð ' g, Ý [] ž, Ý / [] X [] V / [] í [] œ, ð ' ð, µ, Ü, · B
5. fRf"fsf... [] f ^, ð [] Å <N" ®, ·, , é f l f v f V f f " , ð ' ð, µ [] A f Z f b f g f A f b f v f v f [] f O f % ° f €, ð [] —
¹, µ, ½, ç CD, ð Ž æ, è [] o, µ, Ü, · B

Adaptec AIC-78xx PCI SCSI fRf"fgf[]f%, ð í [] œ

, ±, ð fhf%ofCfo, ð í [] œ, ·, é, É, í A ^ È % °, ð Ž è ð †, É [], Á, Ä, , ¾, ³, ç [] B

1. Windows NT Workstation, ð <N" ®, µ AŠÇ—
ð Ž ð i Administrator [] j, ð CE Å, ¢, , é fA f j f E f " f g, Å f [] f O f C f " , µ, Ü, · B
2. [f] fC fRf"fsf... [] f ^], ð Š], < [] A [fRf"fgf[]f< f p f l f <] f A f C f R f " , ð f N f Š f b f N, µ, Ü, · B
3. fRf"fgf[]f<
f p f l f <, í [SCSI f A f _ f v f ^] f A f C f R f " , ð f N f Š f b f N, µ, Ü, · B [SCSI f A f _ f v f ^] f _ f C f A f [] f O, ¢ · ð
Ž], , é, Ü, · B
4. [fhf%ofCfo] f ^ f u, ð f N f Š f b f N, µ, Ü, · B
5. [Adaptec AIC-78xx PCI SCSI fRf"fgf[]f%], ð ' ð, µ, Ü, · B
6. [í [] œ], ð f N f Š f b f N, µ, Ü, · B
7. [fRf"fsf... [] f ^, ð [] Å <N" ®], ð ' ð, µ, Ü, · B

'[]: Adaptec AIC-78xx PCI SCSI fRf"fgf[]f%, ð <N" ® fRf"fgf[]f%, Å [] A — B ^ è, ð fRf"fgf[]f % °, ð í è [] † [] A, à, x ^ è " x, » , ð fRf"fgf[]f% °, É f A f N f Z f X, ·, é, ±, Æ, í, Ä, «, Ü, ¹, ñ [] BAIC-78xx PCI SCSI fRf"fgf[]f% °, ð í [] œ, µ, É, , é, ð, É, ç, È, ç [] è [] †, í [] A, ±, é, ð · È, ð fRf"fgf[]f% °, Æ CE ð Š ·, µ, Ä, - , ¾, ³, ç [] B

ŠÖ ~ Aftf@fCf<

, ±, ð fhf%ofCfo, í A ^ È % °, ð fTf@fCf<, ©, ç [] \ [] —, , é, Ä, ç, Ü, · B

AIC78XX.SYS Adaptec AIC-78xx PCI SCSI fRf"fgf[]f% fhf%ofCfo
AIC78XX.INF fZfbfgfAfbfv [] i · ñ fTf@fCf<

```
{button icon="~A",AL("SCSI support;symbios SCSI;support",0,"")}
```



Symbios Wide Ultra2 PCI SCSI

Symbios Wide Ultra2 PCI SCSI is a high performance SCSI controller for use in IBM PC compatible systems. It supports Ultra2 SCSI devices and is available in both PCI and ISA configurations. For more information, please contact your local distributor or visit our website.

Installation

Symbios Wide Ultra2 PCI SCSI is supported on the following systems:

- Compaq Professional Workstation AP400
- Compaq Professional Workstation AP500
- Compaq Professional Workstation SP700

Symbios Wide Ultra2 PCI SCSI Software

The following software is required for Symbios Wide Ultra2 PCI SCSI operation:

- Windows NT Workstation, version 3.11 or later, with Service Pack 3 or later.
- Compaq Windows NT Workstation SSD (Self-Service Disk) for Windows NT Workstation.
- Symbios Wide Ultra2 PCI SCSI driver software, available on the Symbios Wide Ultra2 PCI SCSI software CD-ROM.
- Symbios Wide Ultra2 PCI SCSI BIOS update software, available on the Symbios Wide Ultra2 PCI SCSI software CD-ROM.
- Symbios Wide Ultra2 PCI SCSI SCSI ID software, available on the Symbios Wide Ultra2 PCI SCSI software CD-ROM.

Symbios Wide Ultra2 PCI SCSI Troubleshooting

If you are having trouble with Symbios Wide Ultra2 PCI SCSI, please check the following:

- Windows NT Workstation, version 3.11 or later, with Service Pack 3 or later.
- SCSI ID software is installed and executed.
- SCSI ID software is installed and executed.
- SCSI ID software is installed and executed.
- SCSI ID software is installed and executed.
- SCSI ID software is installed and executed.
- SCSI ID software is installed and executed.

For more information, please contact your local distributor or visit our website. © Symbios Technology Corporation, 1994.

,±,lfhf%ofCfo,í^È%º,lfjf@fCf<,Å□□¬,³,ê,Ä,ç,Ü,·□B

SYMC8XX.SYS Symbios Wide Ultra2 PCI SCSIlfRf“fgf□□[f%º fhf%ofCfo
SYMC8XX.INF fZfbfgfAfbfv□í•ñfjf@fCf<

{button ĩ;½Ö~Aĩ;½ĩ;½ĩ;½ĩ;½,AL(` SCSI support;adaptec SCSI;support',0,`,`')}



ATAPI/IDE fRf“fgf□□[f%o

fTf|□[fg,³,è,éfn□[fhfEjFfA

ATAPI/IDE fRf“fgf□□[f%o fhf%o fCfo, í□A, ·, x, Ä, ì Compaq Professional Workstation, Å fTf|□[fg, μ, Ä, ç, Û, ·□B

- E Compaq Professional Workstation 5000
- E Compaq Professional Workstation 5100
- E Compaq Professional Workstation 6000
- E Compaq Professional Workstation 8000
- E Compaq Professional Workstation AP200
- E Compaq Professional Workstation AP400
- E Compaq Professional Workstation AP500

“Á•Ê,È’□^ÓŽ-□€

ATAPI/IDE fRf“fgf□□[f%o fhf%o fCfo, ÍŽŸ, ì□è□#□AfCf“fXfg□[f<, Å, «, Û,¹, ñ□B

- E f□□[fNfXfe□[fVf#f“ ,É Microsoft Windows NT Service Pack 3, æfCf“fXfg□[f<,³, è□A8.4GB^È□ä, ìATAPI/IDE fRf“fgf□□[f%o fhf%o fCfo,ª, ,é□è□#
- E f□□[fNfXfe□[fVf#f“ ,É Microsoft Windows NT Service Pack 4, æfCf“fXfg□[f<,³, è, Ä, ç, é□è□#

ATAPI/IDE fRf“fgf□□[f%o, ìfCf“fXfg□[f<,ÆfAfbfvff□[fg

,±, ìfhf%o fCfo, ðfCf“fXfg□[f<, Û, ½, ìfAfbfvff□[fg, ·, ,é,É, í□A^È%oº, ìŽè□#,É□], Á, Ä, ,¾,³, ç□B

1. Windows NT Workstation, ð“N“® ,μ□AŠÇ— □ŽÒ□i Administrator□j, ìCE CEÀ,ª, ,é AfjFef“fg, Åf□fOfCf“ ,μ, Û, ·□B
2. [Compaq Windows NT Workstation SSD. ìfZfbfgfAfbfv_fvf□fOf%o f€□i SETUP.EXE□j, ðŽÀ□s, μ, Û, ·□B](#)
3. fZfbfgfAfbfv, ìf□fCf“ fEfBf“fhfE, Å[ATAPI/IDE fRf“fgf□□[f%o], ð‘I’ð, μ, Ä□A[‘g, Ý□ž, Ý, Û, ½, ì[□X□V], ðfNfŠfbfN, μ, Û, ·□B
4. fZfbfgfAfbfv fvf□fOf%o f€, ð□—¹, ·, ,é, ©□A‘¼, ìfRf“f□[fRf“fg, ì‘g, Ý□ž, Ý, Û□V/□í□œ, ð‘I’ð, μ, Û, ·□B
5. fRf“fsf...□[f^, ð□Ä“N“® , ·, ,é ìfVfVf#f“ , ð‘I’ð, μ□AfZfbfgfAfbfv_fvf□fOf%o f€,ª□I—¹, μ, ½, çCD, ðŽæ, è□o, μ, Û, ·□B

ATAPI/IDE fRf“fgf□□[f%o, ìí□œ

,±, ìfhf%o fCfo, ðí□œ, ·, ,é,É, í□A^È%oº, ìŽè□#,É□], Á, Ä, ,¾,³, ç□B

1. Windows NT Workstation, ð“N“® ,μ□AŠÇ— □ŽÒ□i Administrator□j, ìCE CEÀ,ª, ,é AfjFef“fg, Åf□fOfCf“ ,μ, Û, ·□B
2. [f}fC fRf“fsf...□[f^], ðŠ], «□A[fRf“fgf□□[f< fpf|f<]fAfCfRf“, ðfNfŠfbfN, μ, Û, ·□B
3. fRf“fgf□□[f< fpf|f<, ì[SCSI fAf_fvf^]fAfCfRf“, ðfNfŠfbfN, μ, Û, ·□B[SCSI fAf_fvf^]f_fCfAf□fO,ª\Žì,³, è, Û, ·□B
4. [fhf%o fCfo]f^fu, ðfNfŠfbfN, μ, Û, ·□B
5. [ATAPI/IDE fRf“fgf□□[f%o], ð‘I’ð, μ, Û, ·□B
6. [í□œ], ðfNfŠfbfN, μ, Û, ·□B

7. [fRf“fsf...[]f^,ìÄ<N“®],đ'!đ,μ,Ü,·□B

ATAPI/IDEfRf“fgf□□[f%o fhf%ofCfo,đ□í□œ,·,é□é□‡,Å□A,»,)fRf“fgf□□[f%o,ª—B^è,)fRf“fgf□□[f%o
,Ä, ,é□é□‡□A,à,ª^è“x,»,)fhf%ofCfu,ÉfAfNfZfX,·,é,±,Æ,í,Ä,«,Ü,¹,ñ□B

,±,)fRf“fgf□□[f%o,đ□í□œ,μ,È,¯,ê,í,È,ç,È,ç□é□‡,í□A,±,ê,đ•È,)fRf“fgf□□[f%o,ÆœđŠ·,μ,Ä,,¾,¾,ç□B

ŠÖ~Aftf@fCf<

,±,)fhf%ofCfo,í^È%º,)ftf@fCf<,Å□□¬,³,ê,Ä,ç,Ü,·□B

CPQATAPI.SYS ATAPI/IDEf~fj|□[fg fhf%ofCfo
CPQATAPI.INF fZfbfgfAfbfv□î•ñftf@fCf<

{button ï¿½Ö~Aï¿½ï¿½ï¿½ï¿½ï¿½,AL(`SCSI support;support',0,`,`')}



Compaq fhf%ofCfu fAfCEfC fRf“fgf[]f%o,lfTf[]f_g

fTf[]f_g,³,é,Ä,ç,éfn[]fhfEjFfA

Windows NT Workstation 4.0—pCompaq
SMARTfAfCEfC/SMART-2fAfCEfC/SmartfAfCEfC221fRf“fgf[]f%o fhf%ofCfo,íA^È%o°,lfRf“fgf[]f%
%o,ðfTf[]f_g,μ,Ä,ç,Ü,·□B

- E Compaq SCSIfAfCEfC fefNfmf[]fW fRf“fgf[]f%o ftf@f~fŠ□iCompaq
[SMARTfAfCEfC/SMART-2fAfCEfC/SmartfAfCEfC221fRf“fgf\[\]f%o](#)

ŠÖ~Aftf@fCf<

Windows NT Workstation SSD,ì\SCSI\ARRAYfffBfCEfNfgfŠ,É,íACompaqfhf%ofCfu fAfCEfC
fRf“fgf[]f%o,ðfTf[]f_g,·,é,½,ß,É^È%o°,lfTf@fCf<,ª“ü,Ä,Ä,ç,Ü,·□B

- CPQARRAY.SYS Compaq SMARTfAfCEfC/SMART-2fAfCEfC/SmartfAfCEfC221fRf“fgf[]f%o
fhf%ofCfo
- CPQARRAY.INF □Y'è□í•ñftf@fCf<

Compaq SMARTfAfCEfC/SMART2fAfCEfC/SmartfAfCEfC221fRf“fgf[]f%o fhf% ofCfo,lfCf“fXfg[]f<,ÆfAfbfvff[]f_g

Windows NT Workstation,ðfCf“fXfg[]f<,μ,½CEã,ÅfAfCEfC fhf%
ofCfo,ðfCf“fXfg[]f<□A,Ü,½,lfAfbfvff[]f_g,·,é,É,í^È%o°,lžè□‡,É□],Á,Ä,,¾,¾,¾,ç□B

1. Windows NT Workstation,ð<N“®),μ,Ä□AŠÇ—
□ž□iAdministrator□j,ìCE CEÀ,^a, ,éAfjffEj“fg,Åf□fOfCf“,μ,Ü,·□B
2. [Compaq Windows NT Workstation SSD.lfZfbfgfAfbfv_fvf\[\]fOf%
of€□iSETUP.EXE□j,ðžÄ□s,μ,Ü,·□B](#)
3. [fhf%ofCfu fAfCEfC fRf“fgf[]f%o—pCompaq SCSIfhf%ofCfo],ð'I'ð,μ,Ä□A['g,Ý□ž,Ý]
,Ü,½,í[□X□V],ðfNfŠfbfN,μ,Ü,·□B
4. fZfbfgfAfbfv
fvf□fOf%of€,ð□i—¹,·,é,©□A'¼,lfRf“f[]f[]f“fg,ì'g,Ý□ž,Ý/□X□V/□í□œ,ð'I'ð,μ,Ü,·□B
5. fRf“fsf...□f^,ð□Ä<N“®),·,élfvfVf†“,ð'I'ð,μ□AfZfbfgfAfbfv_fvf□fOf%of€,ª□i—
¹,μ,½,çCD,ðžæ,è□o,μ,Ü,·□B

Compaq SMARTfAfCEfC/SMART2fAfCEfC/SmartfAfCEfC221fRf“fgf[]f%o fhf% ofCfo,ì□í□œ

fhf%ofCfo,ð□í□œ,·,é,É,íA^È%o°,lžè□‡,É□],Á,Ä,,¾,¾,¾,ç□B

1. Windows NT Workstation,ð<N“®),μ□AŠÇ—
□ž□iAdministrator□j,ìCE CEÀ,^a, ,éAfjffEj“fg,Åf□fOfCf“,μ,Ü,·□B
2. [f}fC fRf“fsf...□f^],ðš),«□A[fRf“fgf[]f< fpf[]f<lfAfCfRf“,ðf_fuf<fNfŠfbfN,μ,Ü,·□B
3. fRf“fgf[]f< fpf[]f<,ì[SCSIfAf_fvf^lfAfCfRf“,ðf_fuf<fNfŠfbfN,μ,Ü,·□B
[SCSIfAf_fvf^lf_fCfAf□fO,^a·ž!,³,é,Ü,·□B
4. [fhf%ofCfo]f^fu,ðfNfŠfbfN,μ,Ü,·□B
5. [CompaqfAfCEfC fRf“fgf[]f%o],ð'I'ð,μ,Ü,·□B
6. [□í□œ],ðfNfŠfbfN,μ,Ü,·□B
7. [fRf“fsf...□f^,ì□Ä<N“®)],ð'I'ð,μ,Ü,·□B

ŽQŃŽ'—ĭ

Compaq SMART-2fAfĈfC fRf“fgfŃŃ[f%Ń ftŃ[fU fKfCfh
Compaq SmartfAfĈfC221fRf“fgfŃŃ[f%Ń ftŃ[fU fKfCfh
{button ĭ½Ń~Aĭĭ½ĭĭ½ĭĭ½ĭĭ½,AL(`ACU',0,`,`')}



Compaq AfCfC fRf“ftfBfMf...fC[fVf#f” ft[fefBfŠfefB,iftf][fg

Compaq AfCfC fRf“ftfBfMf...fC[fVf#f” ft[fefBfŠfefB, í A [Compaq SMART-2fAfCfC/SmartfAfCfC221fRf“fgf\[f%o, í Y’è, È-ð—](#)

§. ÅGUIfx[fX, lfAfvfŠfP[fVf#f”, Å. BSMART-2fAfCfC fRf“fgf[f%o, í %ŠúY’èAŠù‘¶, lfVfXfef€[fVf#f”, É’í, ., éfffBfXfN fhf%ofCfu, í’Ç%oÁ, Ü, ½, lfAfCfC fRf“fgf[f%o, í, íÄY’è, È, Ç, ì•í; í, í<Æ, ÉfAfCfC fRf“ftfBfMf...fC[fVf#f” ft[fefBfŠfefB, ðŽg—p, ., é, ±, Æ, ð, Å, «, Ü, .B

, ±, íft[fefBfŠfefB, ðŽg—p, µ, ÄY’è, ðs, æ, ÆAZÿ, ì, æ, æ, È—“_a, , è, Ü, .B

□E fRf“fgf[f%o, í□□—, í□A, í, ©, è, â, ., ç□}, Å•Ž!, ³, è, Ü, .B

□E SeŽí, íY’èfGf%o□[É, Å, ç, Äà-¾, a•Ž!, ³, è, Ü, .B

□E Y’èfvfZfX, ð□#~ , Ç, ., è, É□i, ß, éfRf“ftfBfMf...fC[fVf#f” fEfBfU□[fh, a’g, Y□ž, Ü, è, Ä, ç, Ü, .B

□E -çY’è, lfRf“fgf[f%o, É, Å, ç, ÄÅ“K, ÈY’è, ÆftfH□[fçfgfgfCef%of“fX, a’ñŽ!, ³, è, Ü, .B

ftf][fg, ³, è, éfn[fhfEJfFA

, ±, íft[fefBfŠfefB, í A [Compaq SMART-2fAfCfC/SmartfAfCfC221fRf“fgf\[f%o, ðftf\]\[fg, µ, Ü, .B](#)

•K—v, ÈfvtfgEJfFA

ft[fefBfŠfefB, ðŽÀ□s, ., éf}fVf”, É, í□A^È%o, lfvtfgEJfFA, a•K—v, Å, .B

□E Compaq Windows NT Workstation SSD 2.00^È□~ , ÉŠÜ, Ü, è, éCompaq AfCfC fRf“fgf[f%o ftf][fg

□E Compaq AfCfC fRf“ftfBfMf...fC[fVf#f” ft[fefBfŠfefBVer 2.00^È□~

“Á•È, È’^ÓŽ—€

Compaq AfCfC fRf“ftfBfMf...fC[fVf#f” ft[fefBfŠfefB, í ASSD, ì’t, É, í“ü, Å, Ä, ç, È, ç, ½, ß□A[. ’—lfZfbfgfAfbfv, Å, í•Ž!, ³, è, Ü, ¹, ñ□B, ±, íft[fefBfŠfefB, ðfCf“fXfg□[f<□AfAfbfvff□[fg, ., é□è□#, í□A[ffXf^f€]fZfbfgfAfbfv, ðŽg—p, µ, Å, -¾, ¾, ç□BCompaq AfCfC fRf“fgf[f%o, aCEY□o, ³, è, é, Æ□A[fjXf^f€]fZfbfgfAfbfv f□jff... □[ÉCompaq AfCfC fRf“ftfBfMf...fC[fVf#f” ft[fefBfŠfefB, a•Ž!, ³, è, Ü, .B

^È%o, É□ACompaq Windows NT Workstation SSD 2.00A^È□~ , ÉŠÜ, Ü, è, éCompaq AfCfC fRf“ftfBfMf...fC[fVf#f” ft[fefBfŠfefB2.00^È□~ , ì@“\, ðŽ!, µ, Ü, .B

□E Compaq AfCfC fRf“ftfBfMf...fC[fVf#f” ft[fefBfŠfefB, í ACompaq SmartStart for Workstations CD, ., æ, ÑCompaq AfCfC fRf“ftfBfMf...fC[fVf#f” ft[fefBfŠfefB fffBfXfPfbfg, ©, ç, àfCf“fXfg□[f<, Å, «, Ü, .B

□E Compaq AfCfC fRf“ftfBfMf...fC[fVf#f” ft[fefBfŠfefB, í ACompaq Windows NT Workstation SSD 2.00A^È□~ , Å, ì, YfCf“fXfg□[f<, Å, «, Ü, .B, » , è^È’O, ìfo□[fWf#f”, Å, lfCf“fXfg□[f<, Å, «, Ü, ¹, ñ□B

□E Compaq AfCfC fRf“ftfBfMf...fC[fVf#f” ft[fefBfŠfefB fffBfXfPfbfg, í A<N“@%oÅ“ , Å, ì, , è, Ü, ¹, ñ□BWindows NT Workstation, ©, çfCf“fXfg□[f<, µ, Å, ¾, ç□B

Compaq AfCfC fRf“ftfBfMf...fC[fVf#f” ft[fefBfŠfefB, ðWindows NT Workstation□ä, ÅŽg—p, ., é, ½, ß, É, í□Aflftf%ofCf“ fo□[fWf#f”, ðŽg—p, µ, ÅSMART-2fAfCfC/SmartfAfCfC221fRf“fgf[f%o

.ÉfCf“fXfg□[f<,³,è,Ä,ç,é _—□fhf%ofCfu,ð□,È,,Æ,à^è,Ä□Ý’è,µ,Ä,,•K—v,ª, ,è,Ü,·□B

ŠÖ~ Aftf@fCf<

CompaqAfCefC fRf“ftfBfMf...fCE□[fVf#f“ ft□[fefBfŠfefB,í□A^È%º,lf tf@fCf<,Ä□□¬,³,è,Ä,ç,Ü,·□B

- CPQACU.EXE CompaqAfCefC fRf“ftfBfMf...fCE□[fVf#f“ ft□[fefBfŠfefB
- CPQSAENG.HLP %opCEè”Áfwf<fv ftf@fCf<
- CPQSAFRN.HLPftf%of“fXCEè”Áfwf<fv ftf@fCf<
- CPQSAGER.HLPfhfCfcCEè”Áfwf<fv ftf@fCf<
- CPQSAITA.HLP fCf^fŠfACEè”Áfwf<fv ftf@fCf<
- CPQSAJPN.HLP “ú- {CEè”Áfwf<fv ftf@fCf<

CompaqAfCefC fRf“ftfBfMf...fCE□[fVf#f“ ft□[fefBfŠfefB,lfCf“fXfg□[f<,ÆfAfbfvff□[fg

CompaqAfCefC fRf“ftfBfMf...fCE□[fVf#f“ ft□[fefBfŠfefB,ðŽg,Á,Ä□ACompaq SMART/SMART-2fAfCefC fRf“fgf□□[f%º,ðÝ’è,·,é,É,í□A2’iŠK,íŽè□#,ª, ,è,Ü,·□B,Ü, ,□Á□%º
 .É□Aft□[fefBfŠfefB,ðfCf“fXfg□[f<□AfAfbfvff□[fg,µ□AZÝ,É[CompaqVfXfef€ fc□[f<]
 ,©,çft□[fefBfŠfefB,ðŽÁ□s,µ,Ä□AfAfcCfC,ðÝ’è,µ,Ü,·□BCompaqAfCefC fRf“ftfBfMf...fCE□[fVf#f“
 ft□[fefBfŠfefB,ðfCf“fXfg□[f<,Ü,½,lfAfbfvff□[fg,·,é,É,í□A^È%º,íŽè□#,É□],Á,Ä,,¾,³,ç□B

1. Windows NT Workstation,ð<N“® ,µ,Ä□AŠÇ—
 □ŽÖ□iAdministrator□j,íCE CEÁ,ª, ,éfAjjEf“fg,Áf□fOfCf“,µ,Ü,·□B
2. [Compaq Windows NT Workstation SSD,lfZfbfgfAfbfv fvf□fOf %of€□iSETUP.EXE□j,ðŽÁ□s,µ,Ü,·□B](#)
3. [CompaqAfCefC fRf“ftfBfMf...fCE□[fVf#f“ ft□[fefBfŠfefB],ð’I’ð,µ,Ä□A[’g,Ý□ž,Ý] ,Ü,½,í[□X□V],ðfNfŠfbfN,µ,Ü,·□B
4. fvf□f“fvfg,ª•\Ž,³,è,½,ç□ACompaq Array Configuration Utility□iDiskette #2□j,ð’}“ü,µ,Ü,·□B
5. fZfbfgfAfbfv fvf□fOf%of€,ð□!—¹,·,é,©□A¼,lfRf“f□[f“fg,ì’g,Ý□ž,Ý/□X□V,ð’I’ð,µ,Ü,·□B
6. fRf“fsf...□[f^,ð□A<N“® ,·,é,ífVfVf#f“,ð’I’ð,µ□AfZfbfgfAfbfv fvf□fOf%of€,ª□!—¹,µ,½,çCD,Ü,½,ífffBfXfPfbfg,ðŽæ,è□o,µ,Ü,·□Bf}fVf“,ð□A<N“® ,·,é,Æ□ACompaqAfCefC fRf“ftfBfMf...fCE□[fVf#f“ ft□[fefBfŠfefB fAfCfRf“,ª[CompaqVfXfef€ fc□[f<] ,É“o~^,³,è,Ü,·□B
7. CompaqAfCefC fRf“ftfBfMf...fCE□[fVf#f“ ft□[fefBfŠfefB,ð’I’ð,µ,Ä□Aft□[fefBfŠfefB,ðŽÁ□s,µ,Ü,·□B

ŽQ□IŽ’—¿

Compaq SMART-2fAfCefC fRf“fgf□□[f%º ft□[fU fKfCfh
 Compaq SmartfAfCefC221fRf“fgf□□[f%º ft□[fU fKfCfh
 {button ĩ¿½Ö~Aĩ¿½ĩ¿½ĩ¿½ĩ¿½,AL(` AC support',0,`',`')} }

Compaq SMARTfAfCfC/SMART-2fAfCfC/SmartfAfCfC221fRf“fgf□□[f%o
SMARTfAfCfC/SMART-2fAfCfC/SmartfAfCfC221fRf“fgf□□[f%o,í^É%oº,í,Æ,“,è,Å,:
SMARTfAfCfC fRf“fgf□□[f%o□ASmart-2fAfCfC fRf“fgf□□[f%o□ASmart-2DHfAfCfC
fRf“fgf□□[f%o□ASmart-2SLfAfCfC fRf“fgf□□[f%o□ASmart-2/EfAfCfC fRf“fgf□□[f
%o□ASmart-2/PfAfCfC fRf“fgf□□[f%o□A,“,æ,ÑSmartfAfCfC221fRf“fgf□□[f%o□B

^óüf{f^f"
,±,lf{f^f",Åf_cfAf□fOf{fbfNfX,ð^óü,μ,Û,·□B

•Û‘¶f{f^f“
,±,lf{f^f“,Åftf@fCf<,ð•Û‘¶,µ,Û,·□B

OK f{f^f"

,±,lf{f^f",Åf□fCf" fEfBf"fhfE,É-β,è,Ü,·□B

fLfff“fZf< f{f^f“
,±,lf{f^f“,ÅfefXfg,ð•úŠü,Å,«,Ü,·□B

Compaq SMART-2fAfCfC/SmartfAfCfC221fRf“fgf□□[f%o

Compaq SMART-2fAfCfC/SmartfAfCfC221fRf“fgf□□[f%o,í^É%oº,ì,Æ,¨,è,Å,·□B: SMART-
2fAfCfC fRf“fgf□□[f%o□ASmart-2DHfAfCfC fRf“fgf□□[f%o□ASmart-2SLfAfCfC fRf“fgf□□[f
%o□ASmart-2/EfAfCfC fRf“fgf□□[f%o□ASmart-2/PfAfCfC fRf“fgf□□[f
%o□A,¨,æ,ÑSmartfAfCfC221fRf“fgf□□[f%o



Compaq Netelligent/NetFlex-3fRf“fgf□□[f%o fhf%oofCfo,ì<@”\

Compaq Netelligent/NetFlex-3fRf“fgf□□[f%o fhf%oofCfo□iNETFLX3.SYS□j

Compaq Netelligent/NetFlex-3fRf“fgf□□[f%o—p,ìfffofCfX fhf%oofCfo,í□ANDIS 4.0f~fjff|
□[fg<KŠi,É□€<’,μ,½fhf%oofCfo,Å,·□BNDISf~fjff|□[fg fhf%oofCfo,í□AMicrosoft Windows
95f\fyf□E□[fefBf“fO fVfXfef€.,Æ,ìfofCfifŠCEYS·,³fTf|□[fg,³,ê,Ä,ç,Ü,·□BNDIS 4.0f~fjff|□[fgfhf
%oofCfo,í□AWindows NT Workstation 4.0,ÆWindows 95 OSR2,Å,¾,~fTf|□[fg,³,ê,Ä,ç,Ü,·□B,±
,ê,ç,ìfhf%oofCfo,í□AWindows NT Workstation 3.51,ÆWindows 95fŠfe□[f<”Å,¨,æ,ÑWindows 95
OSR1,Å,ìfTf|□[fg,³,ê,Ä,ç,Ü,¹,ñ□BCompaq Netelligent/NetFlex-3fRf“fgf□□[f%o fTf|
□[fg,í□ACE»□Y,ì<ÆSE•W□€,Å, ,éfC□[fTf|fbfg fgf|f□fW□[,Æ□V,μ,ç100Mbps 100Base-
TX□A100Mbps 100Base-FX,¨,æ,Ñ100VG-AnyLAN<Z□p,ðfTf|□[fg,μ,Ä,ç,Ü,·□B

,±,ìfffofCfX fhf%oofCfo,É,í□AfAf_fvf^,ì□Y’è,ð²□@,μ,ÄfXf<□[fvfbfg,ÆŽg—p,ð□Å“K
%o»,·,é□_“î,ÉfpftfH□[f}f“fX f’f...□[fjff“fO fAf<fSfŠfyf€,³ŠÜ,Ü,ê,Ä,ç,Ü,·□B

CompaqfAfhfof“fXfg flfbfgf□□[fN fRf“fgf□□[f< ft□[fefBfŠfefB,í□Af|fbfgf□□[fN fRf“fgf□□[f%o,ì“ñ□d
%o»<@”\,ð’ñ<Y,·,éf\ftfgfEfFfA fhf%oofCfoŠg’£<@”\,Å,·□BfŠf_f“f_f“fgNICŠÄŽ<<@”\,í□U□x,É,Ä,ç
,Ä,í□ACompaqfAfhfof“fXfg flfbfgf□□[fN fRf“fgf□□[f< ft□[fefBfŠfefB,ì□€,ðŽQ□Æ,μ,Ä,,¾,³,ç□B

Compaq Netelligent/NetFlex-3fRf“fgf□□[f%o,ì□U□x,É,Ä,ç,Ä,í□ACompaq Netelligent/NetFlex-
3fRf“fgf□□[f%o,ìfTf|□[fg,ðŽQ□Æ,μ,Ä,,¾,³,ç□B

{button ïè½Ö~Aïè½ïè½ïè½ïè½,AL(` netflex support:support',0,`,`')}



Compaq Netelligent/NetFlex-3fRf“fgf□□[f%o,lfTf|□[fg

fTf|□[fg,³,é,éfn□[fhfEfFfA

Compaq Netelligent/NetFlex-3fRf“fgf□□[f%o,lfTf|□[fg,É•K—v,Èfhf%oCfo,í□ACompaq Windows NT Workstation 4.0—pTf|□[fg f\ftfgfEfFfA fffBfXfPfbfg□iNT SSD□j,É, ,è,Ü,·□BWindows NT Workstation 4.0—pCompaq Netelligent/NetFlex-3fhf%oCfo,í□ANDIS 4.0f~fj|□[fg fhf %oCfo,Á□AZÿ,lfRf“fgf□□[f%o,ðTf|□[fg,µ,Ü,·□B

- E Compaq NetFlex-3/EfRf“fgf□□[f%o
- E Compaq NetFlex-3/PfRf“fgf□□[f%o

Compaq Netelligent/NetFlex-3fRf“fgf□□[f%o fhf%oCfo,í□ACE»□Ý□AZÿ,lf,fWf...□[f<,ì,ç ,.,é,©,ÁfRf“ftfBfMf...fCE□[fVf†f“ ,³,é,Ä,ç,é□é□†,É□A,±,é,ç,lfRf“fgf□□[f%o,ðTf|□[fg,µ,Ü,·□B

- E 10T UTP/BNCf,fWf...□[f<
- E 10/100 TXf,fWf...□[f<

Compaq Netelligent/NetFlex-3fRf“fgf□□[f%o fhf%oCfo,í□A^È%oº,ì”ñf,fWf... □[f<CE`Ž®,lfRf“fgf□□[f%o,àTf|□[fg,µ,Ü,·□B

- E Compaq Netelligent 10/100TX“à’ UTP/CoaxfRf“fgf□□[f%o
- E Compaq Netelligent 10/100TX“à’ UTP/AUIfRf“fgf□□[f%o
- E Compaq Netelligent 10/100TX“à’ PCI UTPfRf“fgf□□[f%o
- E Compaq NetFlex-3“à’ fRf“fgf□□[f%o
- E Compaq Netelligent 10/100TX PCI UTPfRf“fgf□□[f%o
- E Compaq Netelligent 10T PCI UTPfRf“fgf□□[f%o
- E Compaq Netelligent 10/100TX PCI UTPfff...fAf<f|□[fg fRf“fgf□□[f%o

“Á•È,È’□^ÓŽ-□€

Compaq Netelligent/NetFlex-3fRf“fgf□□[f%o—pfhf%oCfo,í□ACompaq SmartStart for Workstations CD,ì2,Ä,iffBfCEfNfgfŠ,É•ª,©,é,Ä•Ü’¶,³,é,Ä,ç ,é,½,ß□AfRf“fgf□□[f<fpf|f<,©,ç¼□ÚfCf“fXfg□[f<,Ä,«,Ü,¹,ñ□B^É□i,lfCf“fXfg□[f<•û- @,ðŽA□s,·,é,Æ□ACompaq Netelligent/NetFlex-3fRf“fgf□□[f%o fhf%oCfo,³fRfs□[f<,Ä,«,È,ç ,½,ß□AfVfXfef€,³fnf“fOfAfbfv,µ,Ä,µ,Ü,ç,Ü,·□BSmartStart for Workstations CD,ÉSÜ,Ü,é,éCf□□[fW,í□A,±,lfCf“fXfg□[f<•û-@,Ä,ìŽg—p,ð^Ó□},µ,½,à,ì,Ä,í, ,è,Ü,¹,ñ□B

ŠÖ~Aftf@fCf<

fhf%oCfo,í^È%oº,lfTf@fCf<,©,ç□\□¬,³,é,Ä,ç,Ü,·□B

- NETFLX3.DLL Compaq NetFlex-3fRf“fgf□□[f%o,ìCEÿ□o,“,æ,ÑfRf“ftfBfMf...fCE□[fVf†f“ f<□[f`f“
- NETFLX3.SYS Compaq Netelligent/NetFlex-3 Windows NT Workstation 4.0f~fj|□[fg fhf%oCfo
- NETFLX3.EXE Compaq Netelligent/NetFlex-3fRf“fgf□□[f%o,ì’g,Ý□ž,Ý□Af,fj|f^fŠf“fO ft□[fefBfŠfefB
- NETFLX3.HLP NETFLX3.EXE,lfwf<fvftf@fCf<
- NETFLX3.CPL NETFLX3.EXEŽA□s—p,lfRf“fgf□□[f< fpf|f< fAfvfCEfbfg

fRf“fgf□□[f< fpf|f<,©,çCompaqfAfhfof“fXfg flfbfgf□□[fN fRf“fgf□□[f< ft□[fefBfŠfefB,ðŽg—p,·,é•û-

@,É,Â,ç,Ä,Í,Ï,Å,CompaqAfhfof“fXfg flfbfgf[]fN fRf“fgf[]f< ft[]fBfŠfefB,lfwf<fv,đŽQ[]Æ,μ,Ä,-
,¾,¾,ç[]B,» ,ê^ÈŠO,ì[]ê[]A^ê“É“l,Éî•ñ,É,Â,ç,Ä,Í,Ï,Å,CompaqAfhfof“fXfg flfbfgf[]fN fRf“fgf[]f<
ft[]fBfŠfefB,ì[]€,É[]i,ñ,Ä,,¾,¾,ç[]B

Compaq Netelligent/NetFlex-3fRf“fgf[]f%o,lfCf“fXfg[]f<,Ü,½,í[]í[]œ

NetFlex-3fRf“fgf[]f%o,đfCf“fXfg[]f<,Ü,½,í[]í[]œ,·,é,É,í[]A^È%o°,ìžè[]#,É[],ç,Ü,·[]B

1. Windows NT Workstation,đ<N“® ,μ[]AŠÇ—
[]Ž[]iAdministrator[],ì[]Æ []À,°, ,éfAjjfEf“fg,Åf[]fOfCf“ ,μ,Ü,·[]B
2. [Compaq Windows NT Workstation SSD,lfZfbfgfAfbfv fv\[\]fOf
%of\[\]iSETUP.EXE\[\]i,đŽÀ\[\]s,μ,Ü,·\[\]B](#)
3. fZfbfgfAfbfv f[]fCf“ fEfBf“fhfE%oæ-Ê[]:ffXf^f[]j,É[]i,Ý[]ACompaq
Netelligent/NetFlex-3fRf“fgf[]f%o,đ'í'đ,μ[]A[[]Y'è],đfNfŠfbfN,μ,Ü,·[]B
4. Žè[]#3,ÍŠ® —¹[]Ā[]A·\Ži,¾,é,éNetFlex-
[3\[\]Y'èf_fCfA\[\]fO](#), ©,ç'g,Ý[]ž,Ý/[]í[]œ,·,éNetelligent/NetFlex-3,đ'í'đ,μ,Ü,·[]B
5. fZfbfgfAfbfv
fv[]fOf%of€,đ[]i—¹,·,é, ©[]A'¼,lfRf“f[]f[]f“fg,ì'g,Ý[]ž,Ý/[]X[]V/[]í[]œ,đ'í'đ,μ,Ü,·[]B
6. fRf“fsf...[]f^,đ[]Ä<N“® ,·,éf[]fv[]f[]f“ ,đ'í'đ,μ[]AfZfbfgfAfbfv fv[]fOf%of€,²[]i—
¹,μ,½,çCD,đŽæ,è[]o,μ,Ü,·[]B

{ button ĩž ½Ö~Aĩž ½ĩž ½ĩž ½ĩž ½,AL(` netflex config;merging;setup',0,`,` , `')}

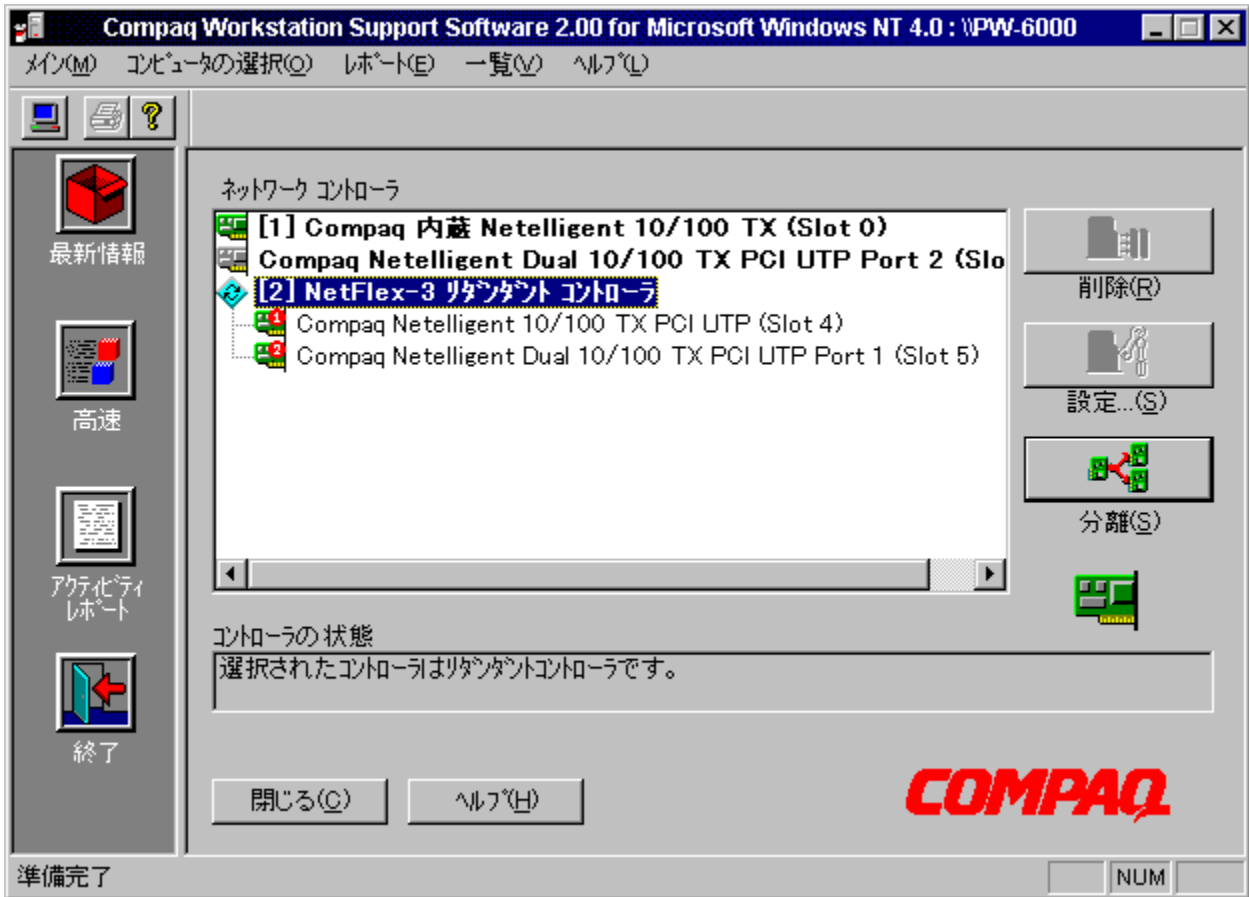


Compaq Netelligent/NetFlex-3fRf“fgf□□[f%o,lfRf“ftfBfMf...fCE□[fvfj“

fZfbfgfAfbfv fv□□fO%fof€,“@□i,.,éfVfXfef€,ÉCompaq Netelligent/NetFlex-3fRf“fgf□□[f%o
,“ ,é□é□#□AfRf“f|□[flf“fg,lf^ê—,É□}2,ÉZ!,.,æ,α,ÉCompaq Netelligent/NetFlex-3fRf“f|
□[flf“fg,“•\Z!,“ ,é,Ú,□B

- E Compaq Netelligent/NetFlex-3fRf“fgf□□[f%o,“CEŸ□o,“ ,é,é,“AZÀ□Ú,É,lfCf“fXfg□[f< ,“ ,é,Ä,¢
,É,¢□é□#□A Compaq Netelligent/NetFlex-3fRf“fgf□□[f%o,“đ‘đ,μ,Ä□A[‘g□ž,Ÿ]
,đNfŠfbfN,.,é,Æfhf%ofCfo,đfCf“fXfg□[f< ,Ä,« ,Ú,□B
- E Compaq Netelligent/NetFlex-3fRf“fgf□□[f%o,“fCf“fXfg□[f< ,“ ,é,Ä,¢,é□é□#□ACompaq
Netelligent/NetFlex-3fRf“fgf□□[f%o,“đ‘đ,μ,Ä[□íœ],đNfŠfbfN,.,é,Æfhf
%ofCfo,đííœ,Ä,« ,Ú,□B
- E Compaq Netelligent/NetFlex-3fRf“fgf□□[f%o,“fCf“fXfg□[f< ,“ ,é,Ä,¢
,Ä□AŸ‘è,đ•íX,μ,½,¢□é□#□ACompaq Netelligent/NetFlex-3fRf“fgf□□[f%o,“đ‘đ,μ,Ä[Ÿ‘è]
,đNfŠfbfN,μ,Ú,□B

Compaq Netelligent/NetFlex-3fRf“fgf□□[f%o,lfCf“fXfg□[f<□A□íœ□A,“,æ,ŸŸ‘è—
p,É□}4,ÉZ!,□V,μ,¢f_cfAf□fo,“•\Z!,“ ,é,é,æ,α,É,É,è,Ú,μ,½□B



□}4. Compaq Netelligent/NetFlex-3fRf“fgf□□[f%o,lfCf“fXfg□[f<□A□íœ□A

,±,lf_cfAf□fo,©,¢^È%o,lf€□i,đžÀ□s,Ä,« ,Ú,□B

□E Compaq Netelligent/NetFlex-3fRf“fgf□□[f%o,lfCf“fXfg□[f< □| Compaq Netelligent/NetFlex-3fRf“fgf□□[f%o,đfCf“fg□[f<,·,éêê#□AfCf“fXfg□[f<,·,éRf“fgf□□[f%o,đ'ıđ,μ[‘g□ž,Ÿ],đfNfŠfbfN,μ,Ü,·□B,±,ê,ª□Á□%o,ÉfCf“fXfg□[f<,·,éRf“fgf□□[f%o,ıêê#□Afhf %ofCfo,à^ê□□,ÉfCf“fXfg□[f<,ª,ê,Ü,·□B

□E Compaq Netelligent/NetFlex-3fRf“fgf□□[f%o,ııı□œ □| Compaq Netelligent/NetFlex-3fRf“fgf□□[f%o,đıı□œ,·,é,É,ı□A□ı□œ,·,éRf“fgf□□[f%o,đ'ıđ,μ□AZŸ,É[ıı□œ],đfNfŠfbfN,μ,Ü,·□B,±,ê,ªıı□œ,ª,ê,éRf“fgf□□[f%o,ı,ı,ı□ÁĈĚă,ı,à,ı,Ā,·,éêê#□Afhf %ofCfo,àıı□œ,ª,ê,Ü,·□B

□E [flfbfgf□□\[fN fRf“fgf□□\[f%o,đŸ'è,·,é](#) □| ·ı□X,Ā,«,éŸ'è□€-Ü,ı□Afff... fvfCfbfNfX□A' -“x□AfRfNf^□A,“,æ,Nflfbfgf□□[fN fAfhfCfX,É,Ç,Ā,·□BfRf“fgf□□[f%o,ªfCf“fXfg□[f<,ª,ê,Ā,ç,·,éêê#□A,»,ıŸ'è,ª·ı□X,Ā,«,Ü,·□BŸ'è,đ·ı□X,·,é,É,ı□AŸ'è,·,éCf“fXfg□[f<□ı,Ÿ,ıfRf“fgf□□[f%o,đ'ıđ,μ□A[Ÿ'è],đfNfŠfbfN,μ,Ü,·□B□V,μ,çŸ'èf_fCfAf□fO,ª·Zı,ª,ê,Ü,·□B

□E [2-ı,ıCompaq Netelligent/NetFlex-3fRf“fgf□□\[f%o,đĈ<□ı,μ,ĀfRf“fgf□□\[f%o fyfA,đ□□-ı,·,é](#) □| fZfbfgfAfbfv,Ā,ı□A2-ı,ıCompaq Netelligent/NetFlex-3fRf“fgf□□[f%o,đĈ<□ı,μ,Ā□AfRf“fgf□□[f%o fyfA,đ□ı,é,±,Ā,Ā,«,Ü,·□B,±,ıĈ<□ı,É,æ,è□AOS,©,ç,ı□A2-ı,ıCompaq Netelligent/NetFlex-3fRf“fgf□□[f%o,ª1-ı,ı,æ,ı,ÉĈ©,ı,Ü,·□BfRf“fgf□□[f%o,đĈ<□ı,μ,½ıêê#ı,ı —B^è,ı□S-ñ,ı□A2-ı,ª“~ ,ıfofXf^fCfv□ıPCI,Ü,½,ıEISA□ı,Ā,É,~ ,é,ı,É,ç,É,ç,±,Ā,Ā,·□B2-ı,ıfRf“fgf□□[f%o,đĈ<□ı,·,é,É,ı□A□Ā□%o,ıfRf“fgf□□[f%o,đ'ıđ,μ,Ü,·□B,±,ıfRf“fgf□□[f%o,ªfvf %ofCf}fŠ fRf“fgf□□[f%o,É,É,è,Ü,·□BZŸ,É2-ı-Ü,ıfRf“fgf□□[f%o,đ'ıđ,μ,Ü,·□B2-ı-Ü,ıfRf“fgf□□[f%o,à“~ ,ıfofX f^fCfv,ıêê#□A—¼·ü,ª'ıđ,ª,ê,Ü,·□B,±,ı2-ı,đĈ<□ı,·,é,É,ı□A[Ĉ<□ı] ,đfNfŠfbfN,μ,Ü,·□B2-ı,ıfRf“fgf□□[f%o,ı□AfŠf_f“f“fg fRf“fgf□□[f%o fyfA,Ā,É,è,Ü,·□B

□E [fRf“fgf□□\[f%o fyfA,ı·ª—f](#) □| fŠf_f“f“fg fRf“fgf□□[f%o fyfA,ª“ı□Ÿ,·,éêê#□AfZfbfgfAfbfv,đZg,Ā,Ā,±,ê,đ·ª—f,Ā,«,Ü,·□B·ª—f,·,é,É,ı□A^è— ,©,çfRf“fgf□□[f%o fyfA,đ'ıđ,μ,Ā□A[·ª—f],đfNfŠfbfN,μ,Ü,·□B,±,ê,ĀfRf“fgf□□[f%o fyfA,ı·ª—f ,ª,ê,Ā□AĈĚĀ·É,ıfRf“fgf□□[f%o,É,É,è,Ü,·□B

{ button ıı½Ö~Aıı½ııı½ııı½ııı½,AL(`merging;using setup',0,`,`')}



Compaq Netelligent/NetFlex-3fRf“fgf□□[f%o, ÌCE<□‡□A•ª—£□A, “, æ, Ñ□Ý’è

fŠf_f“f_f“fg fRf“fgf□□[f%o, Ì□\□¬

fZfbfgfAfbfv fvff□Of□f%œ, Å□A2-‡, ÌCompaq Netelligent/NetFlex-3fRf“fgf□□[f%o
, ðCE<□‡, µ, Å□AfŠf_f“f_f“fg fRf“fgf□□[f%o fyfA, ð□\□¬, Å, «, Ü, ·□B, ±, ÌCE<□‡, É, æ, è□AOS, ©, ç, Í□A2-
‡, ÌCompaq Netelligent/NetFlex-3fRf“fgf□□[f%o, Ì1-‡, Ì, æ, æ, ÉCE©, ¡, Ü, ·□BfRf“fgf□□[f%o
, ðCE<□‡, µ, ½□ê□‡, Ì—B^è, Ì□§-ñ, Í□A2-‡, º“¬, ¶fofXf^fCfv□iPCI, Ü, ½, ÍEISA□j, Å, È, ¯, è, Ì, É, ç, È, ç, ±
, Æ, Å, ·□B2-‡, ÌfRf“fgf□□[f%o, ðCE<□‡, ·, é, É, Í□A^È%oº, Ìžè□‡, É□], Å, Å, , ¾, ¾, ç□B

1. Windows NT Workstation, ð<N“® , µ, Å□AŠÇ—
□ŽÖ□iAdministrator□j, ÌCE CEÀ, º, , éfAjjfEf“fg, Åf□fOfCf“, µ, Ü, ·□B
2. [Compaq Windows NT Workstation SSD. ÌfZfbfgfAfbfv fvff□Of
%œfœ□iSETUP.EXE□j, ðŽÀ□s, µ, Ü, ·□B](#)
3. fZfbfgfAfbfv f□fCf“ fEfBf“fhfE, Å[Compaq Netelligent/NetFlex-3fRf“fgf□□[fN
fRf“fgf□□[f%o], ð’Ì, ð, µ, Ü, ·□B
4. [□Ý’è], ðfNfŠfbfN, µ, Ü, ·□B [Compaq Netelligent/NetFlex-3□Ý’èf_fCfA□fO, º•\
Ž, , ¾, è, Ü, ·□B](#)
5. fvff%œfCf}fŠ fRf“fgf□□[f%o, ð’Ì, ð, µ, Ü, ·□B
6. fZjjf“f_fŠ fRf“fgf□□[f%o, ð’Ì, ð, µ, Ü, ·□B

’□: —¼•û, ÌfRf“fgf□□[f%o, ÌfofX f^fCfv, º“¬, ¶□ê□‡□A—¼•û, ÌfRf“fgf□□[f%o
, º’Ì, ð, ¾, è, Ü, ·□B

’□: 2-‡, Ì“à’ fRf“fgf□□[f%o
, ðCE<□‡, ·, é□ê□‡□ACE<□‡, Å, «, é, Ì, Í□APCI, ÆPCI□AEISA, ÆEISA, Ì’g, Ý□‡, Ì, ¾, ¯, Å, ·□BPCI, Æ
EISA, ÌCE<□‡, Å, «, Ü, ¾, ñ□B

7. [CE<□‡], ð’Ì, ð, µ, Å□A2-‡, ÌfRf“fgf□□[f%o, ðCE<□‡, µ, Ü, ·□B, ±, è, Å2-‡, ÌfRf“fgf□□[f%o
, ºCE<□‡, ¾, è, Å□AfŠf_f“f_f“fg fRf“fgf□□[f%o fyfA, É, È, è, Ü, ·□B

fŠf_f“f_f“fg fRf“fgf□□[f%o, Ì•ª—£

fŠf_f“f_f“fg fRf“fgf□□[f%o fyfA, º, , é□ê□‡□AfZfbfgfAfbfv, ÅfyfA, ð•ª—£, Å, «, Ü, ·□B2-‡, ÌfRf“fgf□□[f%o
, ð•ª—£, ·, é, È, Í□A^È%oº, Ìžè□‡, É□], Å, Å, , ¾, ¾, ç□B

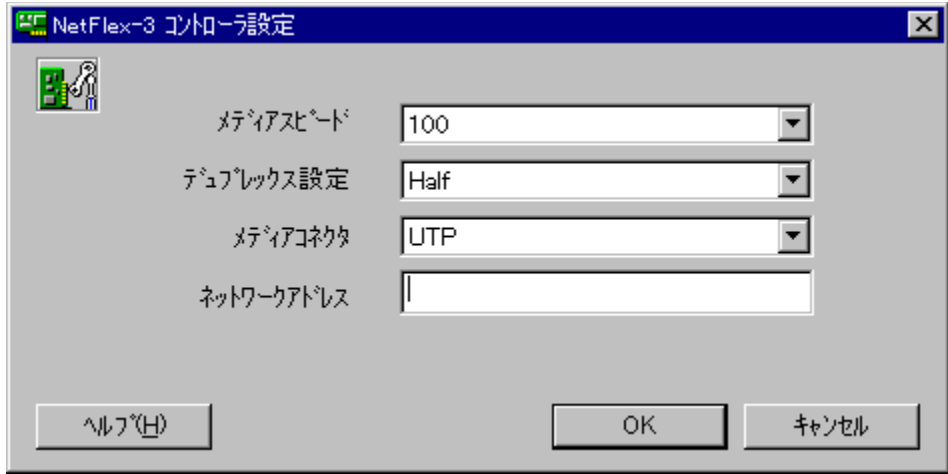
1. Windows NT Workstation, ð<N“® , µ, Å□AŠÇ—
□ŽÖ□iAdministrator□j, ÌCE CEÀ, º, , éfAjjfEf“fg, Åf□fOfCf“, µ, Ü, ·□B
2. [Compaq Windows NT Workstation SSD. ÌfZfbfgfAfbfv fvff□Of
%œfœ□iSETUP.EXE□j, ðŽÀ□s, µ, Ü, ·□B](#)
3. fZfbfgfAfbfv f□fCf“ fEfBf“fhfE, Å[Compaq Netelligent/NetFlex-3fRf“fgf□□[fN
fRf“fgf□□[f%o], ð’Ì, ð, µ, Ü, ·□B
4. [•ª—£], ðfNfŠfbfN, µ, Ü, ·□B, ±, è, ÅfŠf_f“f_f“fg fRf“fgf□□[f%o, Í□ACEÀ•È, ÌfRf“fgf□□[f%o
, È•ª—£, ¾, è, Ü, ·□B

fRf“fgf□□[f%o, Ì□Ý’è

fRf“fgf□□[f%o, ºfCf“fXfg□[f<, ¾, è, Å, ç, é□ê□‡□A□Ý’è, ð•ï□X, Å, «, Ü, ·□B□Ý’è, ð•ï□X, ·, é, É, Í□A^È
%oº, Ìžè□‡, É□], Å, Å, , ¾, ¾, ç□B

1. Windows NT Workstaion, ð<N“® , µ, Å□AŠÇ—

2. [Compaq Windows NT Workstation SSD.lfZfbfgfAfbfv_fvf_fOf%of€iSETUP.EXEj,đŽÁs,μ,Û,·□B](#)
3. □Ý'è,·,éCompaq Netelligent/NetFlex-3fRf"fgf□□[f%o,đ'ı'đ,μ,Û,·□B
4. □}4,ı[□Ý'è),đfNfŠfbfN,μ,Û,·□B□}5,ÉŽı,·,æ,ı,É□V,μ,ç□Ý'èf_fCfAf_fO,đ•\Žı,³,é,Û,·□Bfff...fvfCEfbfNfX□A'~"x□A, ",æ,ŃfRfıfNf^,ı'@□«,É,Ç,đ•ı□X,Á,«,Û,·□B



□}5. Netelligent/NetFlex-3□Ý'èf_fCfAf_fO

'□: □Ý'è'@□«,đ•ı□X,·,é,±,Æ,É,æ,Á,Ä•É,ı'@□«,đ—
 LCEø,É,μ,É,_,é,ı,É,ç,É,ç□é□#□A'@□«,ı□Ý'è,ıŽ©"@"ı,É•ı□X,³,é,Û,·□B

```
{ button ĩž ½Ö~Aĩž ½ĩž ½ĩž ½ĩž ½,AL(` netflex config;using setup',0,`,`') }
```



CompaqfAfhfof“fXfg flfbfgf□□lfN fRf“fgf□□lf< ft□lfefBfŠfefB

CompaqfAfhfof“fXfg flfbfgf□□lfN fRf“fgf□□lf< ft□lfefBfŠfefB, í□Aflfbfgf□□lfN fRf“fgf□□lf%o, ì“ñ□d %o»<@“\, ð“ñ<Y, ·, é\ftfgfEfFfA fhf%ofCfoSg'£<@“\, Å, ·□B^{1/4}, ì, ·, x, A, ìflfbfgf□□lfN fRf“fgf□□lf%o, Æ“ —í□A“ñ□d%o», ³, è, éfŠf_f“f_f“fg fRf“fgf□□lf%o, ìfhf%ofCfo fCf“fXf^f“fX, ì1, Å, ^{3/4}, ·, Å, ·□B, ^{1/2}, ^{3/4}, μ□A^{1/4}, ì, Û, Æ, ñ, Ç, ìflfbfgf□□lfN fRf“fgf□□lf%o fhf %ofCfo, Æ, ì^Û, È, è□A fRf“fgf□□lf%o fhf%ofCfo, ì“ñ□d%o», ³, è, ^{1/2}—^{1/4}•Û, ìfRf“fgf□□lf%o , ð“FZ~ , μ, Û, ·□B, ±, ì, æ, x, É□Y'è, ·, é, ±, Æ, É, æ, è□A• —□fRf“fgf□□lf%o, ì^è•Û, ³Æì□á, μ, Å, àfhf %ofCfo, ìfgf%oftfBfbfN, ð^{1/4}•Û, ìfRf“fgf□□lf%o, É□Ø, è'Ö, ì, é, ±, Æ, ³Å, «, é, ì, Åflfbfgf□□lfN'É□M, ìCep'± , ³æ%Å“\, É, È, è, Û, ·□B

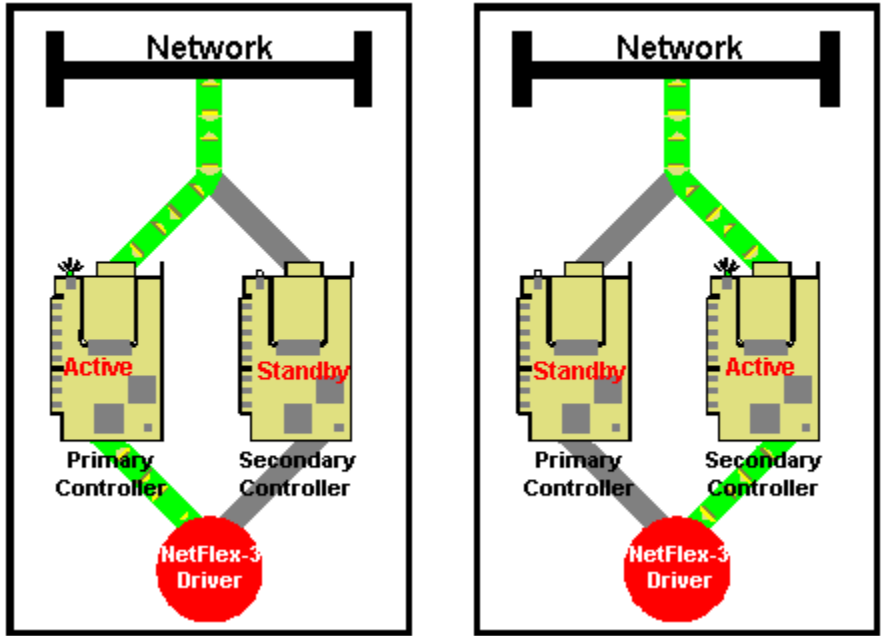
“ñ□d%o», ³, è, ^{1/2}fRf“fgf□□lf%o, ì□Afvf%ofCf}fŠ fRf“fgf□□lf%o, ÆfZfjf“f_fŠ fRf“fgf□□lf%o, Å□ □—, ³, è, Û, ·□B^è“x, ÉfAfNfefBfu, É, Å, «, é, ì, □A, ±, è, ç, ìfRf“fgf□□lf%o, ì^è•Û, ^{3/4}, ·, Å, ·□B, ± , ì, ^{1/2}, ß□AfvfXfef€ , ³Å□%o, É<N“ @ , μ, ^{1/2}, Æ, «□Afhf%ofCfo, ìfvf%ofCf}fŠ fRf“fgf□□lf%o, ðŽg— p, μ, Û, ·□Bfvf%ofCf}fŠ fRf“fgf□□lf%o, ³Æì□á, ·, é, ©□A, Û, ^{1/2}, ì□Ú'±, ³, è, Å, ç, É, ç□è□#□AfZfjf“f_fŠ fRf“fgf□□lf%o, ì□A fS_f“f_f“fg fRf“fgf□□lf%o, ì“ @ □if, □lfh, É%oŽ, ¶, Å“ @ □ì, ð^ø, «Cep, @ , ± , Æ, ³Å, «, Û, ·□B

flfbfgf□□lfN fRf“fgf□□lf%o, ì“ñ□d%o», ÉŽg—p, Å, «, é“ @ □if, □lfh, ì□Af}fjf... fAf-f, □lfh□AZ © “ @ □Ø'Ö, ìf, □lfh□A, ·, æ, ÑfXf} □lfg□Ø'Ö, ìf, □lfh, ì3'É, è, Å, ·□i•\11, ðŽQ□Æ□□B

•\11. “@ □if, □lfh, ·, æ, Ñ<@“\

“@ □if, □lfh	<@“\
f}fjf...fAf<f, □lfh	fAfNfefBfu fRf“fgf□□lf%o, ³ Æì□á, ·, é, Æ□Afhf %ofCfo, ìfRf“fgf□□lf%o , ðŽ © “ @ “\, É, ì□Ø, è'Ö, ì, Û, ¹ , ñ□BfRf“fgf□□lf%o, ð□Ø, è'Ö, ì, é•Û— @, ì□ACompaqfAfhfof“fXfg flfbfgf□□lfN fRf“fgf□□lf< ft□lfefBfŠfefB, ðŽg—p, μ, ÅŽè“ @ , Å□Ø, è'Ö, ì, é•Û— @, ^{3/4} , ·, Å, ·□B
Ž © “ @ □Ø'Ö, ìf, □lfh	fAfNfefBfu fhf%ofCfo, ³ Æì□á, ·, é, ©□A, Û, ^{1/2} , ì□Ú'±, ³ , è, Å, ç , É, ç□è□#□Afhf%ofCfo, ìfRf“fgf□□lf%o , ðŽ © “ @ “\, É□Ø, è'Ö, ì, Û, ·□B
fXf} □lfg□Ø'Ö, ìf, □lfh	fAfNfefBfu fRf“fgf□□lf%o, ³ Æì□á, ·, é, ©□A, Û, ^{1/2} , ì□Ú'±, ³ , è, Å, ç , É, ç□è□#□Afhf%ofCfo, ³ fRf“fgf□□lf%o , ð□Ø, è'Ö, ì, é“_ , Å, ìŽ © “ @ □Ø'Ö, ìf, □lfh, Æ“~ , ¶, Å, ·□B, ^{1/2} , ^{3/4} , μ□A, ±, ìf, □lfh, ì□Afhf%ofCfo, ³ fvf%ofCf}fŠ fRf“fgf□□lf%o , ð'èŠú“\, Éf`fFfbfN, μ, Å□Å“x“ @ □ì, μ, Å, ç, é, ©, Ç, x , ©, ðŠm“F, ·, é, ^{1/2} , ßfXf} □lfg□Ø, è'Ö, ìf, □lfh, ÆCÈÄ, ì, è, Û, ·□Bfvf %ofCf}fŠ fRf“fgf□□lf%o, ³ flf“f%ofCf“ , É—ß, é, Æ□Afhf %ofCfo, ìfvf%ofCf}fŠ fRf“fgf□□lf%o, É—ß, μ, Û, ·□Bfvf%ofCf}fŠ fRf“fgf□□lf%o, ³ flf“f%ofCf“ , ì, Û, Û, Å, , è, ì□Afhf%ofCfo, ì^ø, «'± , «fZfjf“f_fŠ fRf“fgf□□lf%o, ðŽg—p, μ, Û, ·□B

'O, É□à—^{3/4}, μ, ^{1/2}, Æ, ·, è□A, ±, ì□V, μ, çŠg'£<@“\, ðŽg—p, ·, é, Æ□Afvf%ofCf}fŠ fRf“fgf□□lf%o , ³Æì□á, μ, ^{1/2}□è□#□AfZfjf“f_fŠ fRf“fgf□□lf%o , ³flfbfgf□□lfN, ì□O“C, ð^ø, «Cep, ~ , Û, ·□B, ^{1/2}, ^{3/4}, μ□AZÿ, ì□}, ÅŽì, ·, æ, x, É□A, ±, ìfZfjf“f_fŠ fRf“fgf□□lf%o , ì□Afvf%ofCf}fŠ fRf“fgf□□lf%o, ³Æì□á, μ, È, ç, CÈA, èflfbfgf□□lfN fAfNfefBfrefB, ð□^—□, μ, Û, ¹, ñ□B



6. NetFlex-3 Driver Configuration

NetFlex-3 Driver Configuration

Compaq NetFlex-3 Driver Configuration

- NetFlex-3/Ethernet Driver Configuration
- NetFlex-3/PCI Driver Configuration
- Netelligent 10/100 TX PCI Driver Configuration
- Netelligent 10T PCI UTP Driver Configuration
- Netelligent 10/100 TX PCI UTP Driver Configuration
- Netelligent 10/100 TX PCI UTP Driver Configuration
- Netelligent 10 T/2 PCI UTP/Coax Driver Configuration
- Netelligent 10/100 TX PCI UTP Driver Configuration
- Netelligent 10/100
- Netelligent 10/100 TX PCI UTP/Coax Driver Configuration

- NetFlex-3 Driver Configuration
- NetFlex-3/PCI Driver Configuration
- Netelligent 10T UTP-BNC Driver Configuration
- Netelligent 100 VG UTP Driver Configuration
- Netelligent 10/100 TX UTP Driver Configuration
- Netelligent 100 FX Driver Configuration

NetFlex-3 Driver Configuration

ft[] [fefBfŠfefB, đžÀ[s, ., éf} fVf“ ,É^È%° ,ìftfgfEjFfA, a•K—v, Å, .□B

Compaq Windows NT Workstation SSD 2.00^È□ă, ÉŠÜ, Ü, ê, éfAfhfof“ fXfg flfbfgf□□[fN
fRf“ fgf□□[f< ft[] [fefBfŠfefB

“Á•Ê,È’□^ÓŽ-□€

CompaqfAfhfof“ fXfg flfbfgf□□[fN fRf“ fgf□□[f<
ft[] [fefBfŠfefB, í□ATLANf`fbjvfZfbfg, đSÜ, bRf“ fpjbfNŽĐ□», ìflfbfgf□□[fN fRf“ fgf□□[f%°, ì, Ý, đfTf|
□[fg, μ, Ä, ç, Ü, .□B

ŠÖ~Aftf@fCf<

fAfhfof“ fXfg flfbfgf□□[fN fRf“ fgf□□[f< ft[] [fefBfŠfefB, í^È%° ,ìftf@fCf<, Å□□¬, ³, ê, Ä, ç, Ü, .□B

NETFLX3.EXE CompaqfAfhfof“ fXfg flfbfgf□□[fN fRf“ fgf□□[f< ft[] [fefBfŠfefB
NETFLX3.HLP CompaqfAfhfof“ fXfg flfbfgf□□[fN fRf“ fgf□□[f< ft[] [fefBfŠfefB fwf<fv
ftf@fCf<

{button ĭž ½Ö~Aĩž ½ĩž ½ĩž ½ĩž ½, AL(` netflex support', 0, `', `')}



Compaq Ethernet Fast Ethernet, ,æ,ÑGigabitRf“fgf“f%o

fTf|“lfg,³,é,éfn“lhfEjFfA

Compaq Ethernet Fast Ethernet, ,æ,ÑGigabitlfbfgf“fN fRf“fgf“f%o fhf%ofCfo,íA^È %o²,lfRf“fgf“f%o,ðfTf|“lfg,µ,Û,·B

•12. Compaq Fast Ethernet,Û,½,íGigabitRf“fgf“f%o,²fTf|“lfg,·,éRf“fgf“f%o

fTf “lfg,·,éRf“fgf“f%o	à-¾
Compaq NC1120 Ethernet NIC	PCI 10Base-T
Compaq NC3120 Fast Ethernet NIC	PCI 10/100
Compaq NC3122 Fast Ethernet NIC	Dual 10/100
Compaq NC3123 Fast Ethernet NIC	10-100 WOL
Compaq NC3131 Fast Ethernet NIC	64 PCI Dual Base 10/100
Compaq NC3132 Fast Ethernet Module	NC3131—pDual 10/100fAfbvfOfCE“lhf f,fWf...“f<
Compaq NC3133 Fast Ethernet Module	NC3131—pDual 100 FXfAfbvfOfCE“lhf f,fWf...“f<
Compaq NC3160 Fast Ethernet NIC	“à’ 10/100
Compaq NC3161 Fast Ethernet NIC	“à’ 10/100 WOL
Compaq NC6132 Gigabit Module	NC3131— p1000SXfAfbvfOfCE“lhf f,fWf...“f<
Compaq NC6133 Gigabit Module	NC3131— p1000LXfAfbvfOfCE“lhf f,fWf...“f<
Compaq NC6134 Gigabit Module	64 PCI 1000SX

“Á•Ê,È”^ÓŽ-€

Compaq Server Support Setup for Microsoft Windows,íA•j“”,lfn“lhfEjFfA,ðfCf“fXfg“f<,·,é,±,Æ,²,Á,«,Û,·B,³,ç,ÉA,±,lfvf“fOf%of€,Á,lhf%ofCfu,ðfAfbvfff“lfg,µ,ÁAŠg’£lfbfgf“fN fCf“f^ftfF“fX fRf“fgf“f%o“iNICj,ð\“-,·,é,±,Æ,²%oÁ“\,É,È,è,Û,·B

ŠÖ~Aftf@fCf<

^È%o²,lfTf@fCf<,²,±,é,ç,lhf%ofCfo,ðfTf|“lfg,µ,Ä,ç,Û,·B

- CP100DG.DLL Compaq 10/100“f’ff%ofCfuf%ofŠ
- CPQDGD.SYS 10/100—p Compaq“f’ffhf%ofCfo
- CPQDISK.NET OEM SET UP.INF—pffBfXfN f^fO ftf@fCf<
- CPQGBDD.SYS Gigabit“f’ffj“lhf< f.“lhf fhf%ofCfo
- CPQKDD.SYS PCI“i•ñ—pfj“lhf< f.“lhf fhf%ofCfo
- CPQNTAC.CPL CPQNTAC—pfRf“fgf“f< fpflf< fAfvfCEfbfg f“lhf“f`ff
- CPQKTAC.DLL CPQNTAC fn“lhfEjFfACEÛoDLL

CPQNTAC.EXE Compaq Network Teaming and Configuration Utility
 CPQNTAC.HLP Compaq Ethernet, Ü, ½, íFast Ethernet NICfhf%ofCfo fwf<fvftf@fCf<
 CPQNTAC.CNT fwf<fvftf@fCf<—pfRf“fef“fc, í•\
 N100NT.SYS Windows NT 4.0—p10/100
 N1000NT4.SYS Windows NT 4.0—pGigabitf~fjffl[]fg fhf%ofCfo
 NTACMON.EXE Windows NT 4.0fvfXfef€ fgf€fC fAfvfŠfP[]fVf#f“
 OEMSETUP.INF OEM[]•ñftf@fCf<

Compaqlfbfgf[]fN f` []f€%»„, æ, ÑfRf“ftfBfMf...fCE[]fVf#f“ ft[]fefBfŠfefB

Compaqlfbfgf[]fN f` []f€%»„, æ, ÑfRf“ftfBfMf...fCE[]fVf#f“ ft[]fefBfŠfefB, ífRf“fpfbfN
 flfbfgf[]fN fCf“f^[]ftfF[]fX fRf“fgf[]f%»iNIC[], ð[]~., .é, ½, ß, íMicrosoft Windows NT
 Workstation 4.0—p, ífAfvfŠfP[]fVf#f“, Á, []BCompaqlfbfgf[]fN f` []f€%»„, æ, ÑfRf“ftfBfMf...
 fCE[]fVf#f“ ft[]fefBfŠfefB, í^É%»º, íNIC, í‘Á’, ª, , è, Ü, []B

- []E fCf“fXfgf€[]fVf#f“
- []E fAf“fCf“fXfgf€[]fVf#f“
- []E f` []f~f“fO
- []E []Y’è
- []E “[]CEv
- []E []f’f
- []E CE»[]Y, í[]ó’O

, ±, íft[]fefBfŠfefB, É, Á, ç, Ä, íÜ[]x, íCompaqlfbfgf[]fN f` []f€%»„, æ, ÑfRf“ftfBfMf...fCE[]fVf#f“
 fwf<fvftf@fCf<CPQNTAC.HLP, ðZQ[]Æ, µ, Á, , ¾, ¾, ç[]B

Compaq Ethernet[]A Fast Ethernet[]A, , æ, ÑGigabitfRf“fgf[]f%» fhf %ofCfo, ífCf“fXfg[]f<, AE[]í[]œ

’[]: Compaq Ethernet[]A Fast Ethernet[]A, , æ, ÑGigabitfRf“fgf[]f%»º, ªfvfXfef€
 , ÉfCf“fXfg[]f<, ª, É, Á, ç, È, ç[]è[]±, í[]AfRf“fgf[]f%»º, ðfCf“fXfg[]f<, µ, ½, Æ, <, Éfhf
 %ofCfo, àZ © “ @ “ í, ÉfCf“fXfg[]f<, ª, È, Ü, []BfRf“fgf[]f%»º, ðZæ, èSO, µ, ½[]è[]±, í[]Afhf
 %ofCfo, àZ © “ @ “ í, É[]í[]œ, ª, È, Ü, []B

Compaq Ethernet[]A Fast Ethernet[]A, , æ, ÑGigabitfRf“fgf[]f%»º, ífhf
 %ofCfo, ífCf“fXfg[]f<, AE[]í[]œ, ð[]s, ª, É, íA^É%»º, íZè[]±, É[], Á, Á, , ¾, ¾, ç[]B

1. Windows NT, ð<N“ @, µ[]AŞÇ—
 []ZÖ[]iAdministrator[]j, íCE CEÀ, ª, , éfAjjfEf“fg, Áf[]fOfCf“, µ, Ü, []B
2. [Compaq Windows NT Workstation SSD, ífZfbfgfAfbfv fvf\[\]fOf %of€\[\]iSETUP.EXE\[\]j, ðZÁ\[\]s, µ, \[\]B](#)
3. Compaq Ethernet[]A Fast Ethernet[]A, Ü, ½, íGigabitfRf“fgf[]f%»º, ð’í’ð, µ, Ü, []B
4. [Y’è], ðfNfŠfbfN, µ, Ü, []B
1. [‘g, Y[]ž, Y], Ü, ½, í[]í[]œ], ðfNfŠfbfN, µ, Ü, []B

’[]: Compaq Ethernetflfbfgf[]fN fCf“f^[]ftfF[]fX fRf“fgf[]f%»ºiNIC[], í1, Á, Ü, ½, í•; []”, íf` []f€, ª’è<` , ª, É, Á, ç, é[]è[]±[]ACompaq Server Setup for
 Microsoft Windows NT 4.0, ðZg, Á, ÄEthernet NIC, ðfAf“fCf“fXfg[]f<, , .é, ±
 , Æ, í, Á, <, Ü, ª, ñB’ä, í, è, É[]ACompaqlfbfgf[]fN f` []f€[]Y’è, , æ, ÑfRf“ftfBfMf...fCE[]fVf#f“
 ft[]fefBfŠfefB, ðZg, Á, Áf` []f€, ð%»ºÁ, µ, ½CEã[]AfZfbfgfAfbfv fvf[]fOf%of€
 , ðZg, A, ANIC, ð[]í[]œ, µ, Á, , ¾, ¾, ç[]B

6. fZfbfgfAfbfv fvf[]fOf%of€, ð[]—¹, , .é, ©[]A’g, Y[]ž, Y[]A[]X[]V[]A, Ü, ½, í[]í[]œ, µ, ½, ç
 , >, í’¼, ífRf“f[]f[]f“fg, ð’í’ð, µ, Ü, []B
7. fRf“fsf...[]f^, ð[]Ä<N“ @, , .éífvfVf#f“, ð’í’ð, µ[]AfZfbfgfAfbfv fvf[]fOf%of€, ª[]—
 ¹, µ, ½, çffBfXfPfbfg, ðZæ, è[]o, µ, Ü, []B

Compaq Ethernet AFast Ethernet A, ,æ,ÑGigabitRf“fgf[]f% fhf %fCfo,ifAfbfvff[]fg

'[]: Compaq Support Setup for Microsoft Windows NT 4.0,đŽg,Á,Ä[]AfŠf,[]fg fVfXfef€[]ã,[]Compaq Ethernet AFast Ethernet A, ,æ,ÑGigabitRf“fgf[]f% fhf %fCfo,đfAfbfvff[]fg,·,é,±,Æ,Í,Á,«,Ü,¹,ñ[]Bfhf %fCfo,đ[]³[]í,ÉfAfbfvff[]fg,·,é,É,Í[]AŠef}fVf“[]ã,Áf[][]fjfk<,ÉfZfbfgfAfbfv fvf[]fOf%of€,đŽÀ[]s,·,é•K —v,ª, ,è,Ü,·[]B,Ü,½[]ACompaq Ethernet NIC,[]f` [][f€,ª°¶[]Ý,·,é[]è[]#[]AfZfbfgfAfbfv fvf[]fOf%of€ ,[]fRf“fgf[]f%o,đ[]í[]œ,Á,«,Ü,¹,ñ[]B,±,ì[]è[]#[]A•K, ,[]ACompaqf[]fbfgf[]fN f` [][f€[]Y`è, ,æ,ÑfRf“ftfBfMf...f€[][fVf#f“ ft[][fefBfŠfefB,đŽg,Á,Ä[]Af` [][f€,đ%ođ[]Á,·,é,©,¢ ,.,è,©,[]fRf“fgf[]f%o,đ[]í[]œ,µ,Ä,©,ç[]AfVfXfef€,đ[]Ä<N“® ,µ,Ä,¾,¾,ç[]B

Compaq Ethernet AFast Ethernet A, ,æ,ÑGigabitRf“fgf[]f%o,[]fhf %fCfo,đfAfbfvff[]fg,·,é,É,Í[]A^È%o°,ìŽè[]# ,É[]],¢,Ü,·[]B

1. Windows NT,đ<N“® ,µ[]AŠÇ— []ŽÖ[]iAdministrator[]j,[]l[]E []EÀ,ª, ,éfA[]f[]f[]E[]f“fg,Á[]f[]f[]Of[]C[]f“ ,µ,Ü,·[]B
2. [Compaq Windows NT Workstation SSD,\[\]fZfbfgfAfbfv fvf\[\]fOf %f€\[\]iSETUP.EXE\[\]j,đŽÀ\[\]s,µ,Ü,·\[\]B](#)
3. Compaq Ethernet AFast Ethernet A,Ü,½,ÍGigabitRf“fgf[]f%o,đ'í'đ,µ,Ü,·[]B
4. [X[]V],đfNfŠfbfN,µ,Ü,·[]BfAfbfvff[]fg,³,è,½ftf@fCf<,[]fVfXfef€ ,ÉfCf“fXfg[][f<,³,è[]ACompaqf[]fbfgf[]fN f` [][f€%o», ,æ,ÑfRf“ftfBfMf...f€[][fVf#f“ ft[][fefBfŠfefB,ªŽÀ[]s,µ,ÁŠù°¶,ìCompaq Ethernet,Ü,½,ÍFast EthernetfRf“fgf[]f%o fhf%ofCfo,ªCompaq Ethernet AFast Ethernet,Ü,½,ÍGigabitRf“fgf[]f%o fhf %fCfo,É[]ã[]',«,µ,Ü,·[]B
5. fZfbfgfAfbfv fvf[]fOf%of€,đ[]!—¹,·,é,©[]A'g,Ý[]ž,Ý[]A[]X[]V[]A,Ü,½,í[]í[]œ,µ,½,¢ ,» ,ì¹¼,[]fRf“f[][]f[]f“fg,đ'í'đ,µ,Ü,·[]B
6. fRf“fsf...[]f^ ,đ[]Ä<N“® ,·,é[]f[]v[]f[]f[]#f“ ,đ'í'đ,µ[]AfZfbfgfAfbfv fvf[]fOf%of€,ª[]!—¹,µ,½,çffBfXfPfbfg,đŽæ,è[]o,µ,Ü,·[]B

{button ìž½Ö~Aiž½iž½iž½iž½iž½,AL(`support;setup',0,`,`')}



Compaq ProLiantXfgfCE[]fW fVfXfef€ fTf[]fG

Compaq ProLiantXfgfCE[]fW fVfXfef€,đfTf[]fG,·éffffCfX fhf%ofCfo,í[]ACompaq Windows NT Workstation SSD,É, ,è,Ü,·[]B,±,lfhf%ofCfo,í[]AProLiantXfgfCE[]fW fVfXfef€,đCompaq SCSIfrf“fgf[]f%o,É[]Ú‘±,μ,½[]ê[]±,ì,Ý“ @[]ì,μ,Ü,·[]B

fhf%ofCfo,ì‘·[]Š

[]E fffBfXfN fgfCEfC,lfj“f%ofCf“ fXfe[]f^fX fCf“fWfP[]f^,lfCf“fefŠfWfF“fg,ÈŠÇ—[]
[]E []d‘â,É[]ó‘Ö,“,æ,Ñfzfbfgfvf%ofO fCxf“fg,ÈŠÖ,·,éVfXfef€ fCxf“fg f[]fO,lf[]Mf“fO
[]E Compaq[]f[]fWf[]f“fg f[][]fNfXfe[]fVf[]f“ fG[]fWfF“fg,lfTf[]fG

“Á·È,È‘^ÓŽ-[]€

Compaq ProLiantXfgfCE[]fW fVfXfef€ fhf%ofCfo,í[]A“à‘ ,Ü,½,íŠO·t,“,ìCompaq ProLiantXfgfCE[]fW fVfXfef€,“,æ,ÑProLiantT[]fo,ì,·,x,Á,ì<@Ží,Á“ @[]ì,μ,Ü,·[]B,±,lfhf %ofCfo,í[]ACompaq ProLiantXfgfCE[]fW fVfXfef€,đCompaq SCSIfrf“fgf[]f%o,É[]Ú‘± ,μ,½[]ê[]±,É,¾,“ @[]ì,μ,Ü,·[]BCompaq SMART/SMART-2fAfc fRf“fgf[]f%o,É[]Ú‘± ,¾,è,½Compaq ProLiantXfgfCE[]fW fVfXfef€,í[]ACompaq SMART/SMART-2fAfc fRf“fgf[]f%o ,ÁŠÇ—[],¾,è,Ü,·[]B

[],‘-fZfbfgfAfbfv,đŽÀ[]s,·,é‘O,É[]ACompaq SCSIfrf“fgf[]f%o,lfhf %ofCfo,đ‘g,Ý[]ž,ñ,Á, ,é[]ê[]±,í[]AProLiantXfgfCE[]fW fVfXfef€ ,í[],‘-fZfbfgfAfbfv,ÁCEY[]o,Á,«, ,[]ACompaq ProLiantXfgfCE[]fW fVfXfef€,lfhf %ofCfo,lfCf“fXfg[]f<,¾,è,Ü,¹,ñ[]BfVfXfef€ ,đ[]Á<N“ @,μ,Á,©,ç[]A[],‘-fZfbfgfAfbfv,đŽÀ[]s,·,é,©[]A,Ü,½,lfjXf^f€ fZfbfgfAfbfv,đŽÀ[]s,μ,Á[]AZè“ @,Áfhf%ofCfo,đ‘g,Ý[]ž,Ü,È,“,è,ì,È,è,Ü,¹,ñ[]B[]Ú,μ,- ,í[]A[],‘-fZfbfgfAfbfv.ìŽg.ç·ù,“,æ,ÑfZfbfgfAfbfv f[]fCf“ fEfBf“fhfE.ìŽg.ç·ù,đŽQ[]Æ,μ,Á,¾,¾,ç[]B

ŠÖ~Aftf@fCf<

fhf%ofCfo,í[]A^È%o°,lfTf@fCf<,©,ç[]\[]-¾,è,Ü,·[]B

PRLNTSS.SYS Compaq ProLiantXfgfCE[]fW fVfXfef€ fhf%ofCfo

fCf“fXfg[]f<[]AfAfbfvff[]fG,“,æ,Ñ[]í[]œ

Compaq ProLiantXfgfCE[]fW fVfXfef€ fhf%ofCfo,lfCf“fXfg[]f<[]AfAfbfvff[]fG,“,æ,Ñ[]í[]œ,đ[]s,¾ ,É,í^È%o°,ìŽè[]±,É[],A,Á,¾,¾,ç[]B

1. Windows NT Workstation,đ<N“ @,μ[]AŠÇ— []ŽÖ[]Administrator[]j,ìCE CEÀ,ª, ,éfAfffEf“fg,Áf[]fOfCf“,μ,Ü,·[]B
2. [Compaq Windows NT Workstation SSD,lfZfbfgfAfbfv fvf\[\]fOf %ofE\[\]iSETUP.EXE\[\]j,đŽÀ\[\]s,μ,Ü,·\[\]B](#)
3. [Compaq ProLiantXfgfCE[]fW fVfXfef€],đ‘l’đ,μ,Á[]Al‘g[]ž,Ý[]A[]X[]V[]A,Ü,½,í[]í[]œ] ,đfNfŠfbfN,μ,Ü,·[]B
4. fZfbfgfAfbfv fvf[]fOf%of€,đ[]—¹,·,é,©[]A‘¼,lfRf“f[]f[]f[]f“fg,ì‘g,Ý[]ž,Ý[]X[]V[]í[]œ,đ‘l’đ,μ,Ü,·[]B
5. fRf“fsf...[]f^,đ[]Á<N“ @,·,é,íf[]fv[]f[]f“,đ‘l’đ,μ[]AfZfbfgfAfbfv fvf[]fOf%of€,ª[]— ¹,μ,½,çCD,đŽæ,è[]o,μ,Ü,·[]B

{button ĩž ½Ö~Aĩž ½ĩž ½ĩž ½ĩž ½,AL(`setup',0,`,`')}



CompaqVfXfef€ f}flfWf[]f“fg fT[]lfrfX

CompaqVfXfef€ f}flfWf[]f“fg[]iCSM[]j[]î•ñ,ðfTf[][]fg,·,é,½,ß,É•K—v,Èfhf%ofCfo,í[]ACompaq Windows NT Workstation SSD,É, ,è,Ü,·[]B

Compaq Windows NT Workstation SSD,ÅfTf[][]fg,³,è,é<@”\,í[]A^È%º,ì,Æ,¨,è,Å,·[]B

- E fNfŠfefBfjfk fGf%º[][,ìf[]fMf“fO
- E ftf@f“,ì'âZ~,¨,æ,N%º.“xCEÿ[]ofAf%º[][]fg
- E 'ù[]³[]ì,Ýf[]f,fŠ fGf%º[][,ìf[]fMf“fO
- E fŠf,[][]fg fRf“f[]f<,Æ,µ,Å,ì“®[]ì
- E fŠf,[][]fg,Å,ì[]Å<N“®
- E fvf[]fZfbfT fGf%º[][,ìf[]fMf“fO
- E Windows NT Workstation,ìfVfffbfgf_fEf“Žž,ìfAfhf~fjXfgfCE[]f^ fRf“fgf[][]f< fRf}f“fh fXfNfŠfvfg,ìZÀ[]s

fTf[][]fg,³,è,éfn[]fhfEfFfA

CompaqVfXfef€ f}flfWf[]f“fg fhf%ofCfo,í[]A^È%º,)Compaq Professional Workstation,ðfTf[] []fg,µ,Å,ç,Ü,·[]B

- E Compaq Professional Workstation AP400
- E Compaq Professional Workstation 8000
- E Compaq Professional Workstation 6000
- E Compaq Professional Workstation 5100
- E Compaq Professional Workstation 5000

“Á•Ê,È”^ÓŽ-[]€

- E CompaqVfXfef€ fRf“ftfBfMf...fCE[]fVf#f“ ft[]fEfBfŠfefB,ðŽg—p,µ,ÅCSM<@”\ []i[],%º.fVfffbfgf_fEf“[]AZ©“®fVfffbfgf_fEf“,È,Ç[]j,ð—LCEø,É,µ,È,¨,è,î,È,è,Ü,¹,ñ[]B
- E Compaqf}flfWf[]f“fg f[][]fNfXfef[]fVf#f“ fG[]fWfFf“fg,ì[]Å“K,ÉfTf[][]fg,ð[]s,æ ,È,í[]ACompaqVfXfef€ f}flfWf[]f“fg fffofCfX fhf %ofCfo,ðfCf“fXfg[]f<,µ,È,¨,è,î,È,è,Ü,¹,ñ[]B
- E fVfffbfgf_fEf“Žž,ÉfXfNfŠfvfg,ðZÀ[]s,³,¹,é,½,ß,ÉCPQSHUT.CMD,ð•Ò[]W,·,é[]B

Windows NT Workstation—pCompaqVfffbfgf_fEf“ fXfNfŠfvfg

CompaqVfXfef€ f}flfWf[]f“fg fT[]lfrfX,í[]AfVfXfef€,ìfVfffbfgf_fEf“Žž,É[]d—v,Èf^fXfN,ð— D[]æ“ì,ÉZÀ[]s,³,¹,é,±,Æ,ª,Å,«,Ü,·[]B,±,ì<@”\,ì[]AfAfvfŠfP[]fVf#f“,ðft[]fU,É'âZ~,³,¹[]AfVfXfef€ ,ì^À'S[]«,ðŠmZÀ,É,µ,Ü,·[]B

ŽÀ[]s,³,è,éfXfNfŠfvfg,í[]A%SystemRoot%\System32\Cpqshut.cmd,Å,·[]B ,±,ìfXfNfŠfvfg,í[]A2,Å,ìfpf%of[]f^,ÅCEÅ,Ñ[]o,·,±,Æ,ª,Å,«,Ü,·[]B

- E **ABORT** []\ CPQSHUT.CMD,í[]AfVfXfef€,ª^ù[]í,È %º.“x,ðCEÿ“m,µ,½,Æ,«,ÉABORT,ÅCEÅ,Ñ[]o,³,è,Ü,·[]B,± ,ì[]è[]#[]AfXfNfŠfvfg,ìfVfffbfgf_fEf“,·,é,Ü,Å,É2•ª^È“à,ÅZÀ[]s,µ,Ü,·[]B
- E **NORMAL** []\ CPQSHUT.CMD,í[]A'É[]í,ìfVfffbfgf_fEf“,ì,Æ,«,ÉNORMAL,ÅCEÅ,Ñ[]o,³,è,Ü,·[]B,± ,ì[]è[]#,ì[]AfXfNfŠfvfg,ìZÀ[]sZžSÒ,ìCE^,ß,ç,è,Å,ì,ç,Ü,¹,ñ[]B,Ü,½[]AfAfvfŠfP[]fVf#f“,ð[]—

1,μ,Ü,·□B

CPQSHUT.CMD,í□A^È%°º,ì,æ,α,È□é□‡,ÉCEÄ,Ñ□o,³,ê,Ü,·□B

- E f\ftfgfEjFfA,ìfCf“fXfg□[f<Žž
- E ft□[fU,³fXf^□[fgf□fjf...□[,©,çVffffbfgf_fEf“,ðŽÄ□s,μ,½,Æ,«
- E ft□[fU,³“dCE¹,ð'¼□U□Ø'f,μ,½,Æ,«
- E fn□[fhfEjFfA,ì□áSQ,É,æ,è□A^Ü□í,È%°º“x,É,È,Á,½,Æ,«

CPQSHUT.CMD,ð•ì□X,μ,½,Æ,«,í□AfffofbfO,ð□s,Á,Ä,,¾,³,ç□BfRf“f□[f<fEfBf“fhfE,©,çCPQSHUT.CMDfRf}f“fh,ðŽÄ□s,·,é,±,Æ,É,æ,èŠm”F,Ä,«,Ü,·□B□\•¶,ÉŠÔ^á,ç,ª, ,é,ÆfVfXfef€,³Vffffbfgf_fEf“,·,é,Æ,«,Éfjfgf““ŽŽm,³CEÄ,Ñ□o,³,ê,Ä,μ,Ü,ç,Ü,·□B

ŠÖ~Aftf@fCf<

Compaq Windows NT Workstation SSD,ì\SYSMGMTffffBfCEfNfgfŠ,É,í□AfVfXfef€f}fjWf□f“fg,ðfTfj□[fg,·,é,½,β,ìŽŸ,ìftf@fCf<,ª“ü,Á,Ä,ç,Ü,·□B

- CPQSHUT.CMD CompaqVffffbfgf_fEf“ fRf}f“fh fXfNfŠfvg
- SYSDOWN.EXE CompaqVffffbfgf_fEf“ fT□[fRfX
- SYSMGMT.SYS CompaqVfXfef€ f}fjWf□f“fg fhf%ofCfo

CompaqVfXfef€ f}fjWf□f“fg fhf%ofCfo,ìfCf“fXfg□[f<,ÆfAfbfvff□[fg

CompaqVfXfef€ f}fjWf□f“fg fhf%ofCfo,ðfCf“fXfg□[f<,·,é,É,í^È%°º,ìŽè□‡,É□],Á,Ä,,¾,³,ç□B

1. Windows NT Workstation,ð<N“® ,μ□AŠÇ—
□ŽÒ□iAdministrator□j,ìCE CEÀ,ª, ,éfAjjfEf“fg,Áf□fOfCf“,μ,Ü,·□B
2. [Compaq Windows NT Workstation SSD,ìZfbfgfAfbfv_fvf□fOf%of€□iSETUP.EXE□i,ðŽÄ□s,μ,Ü,·□B](#)
3. [CompaqVfXfef€ f}fjWf□f“fg fhf%ofCfo]
,ð'I'ð,μ,Ä□A['g□ž,Y]□A,Ü,½,ì[□X□V]f{f^f“,ðfNfŠfbfN,μ,Ü,·□B
4. fZfbfgfAfbfv
fvf□fOf%of€,ð□I—¹,·,é,©□A'¼,ìfRf“f□[fLf“fg,ì'g,Ý□ž,Ý/□X□V/□í□œ,ð'I'ð,μ,Ü,·□B
5. fRf“fsf...□[f^,ð□Ä<N“®,·,élfvfVf†f“,ð'I'ð,μ□AfZfbfgfAfbfv_fvf□fOf%of€,ª□I—¹,μ,½,çCD,ðŽæ,è□o,μ,Ü,·□B

{button ï¿½Ö~Aï¿½ï¿½ï¿½ï¿½,AL(`support;setup',0,`,`')}

fTf|[]f g,³,ê,éfRf“fpjbfNŽĐ[]»fŠf_f“f_f“fgNIC

f|fbfgf[]fN fRf“fgf[]f%°,lfŠf_f“f_f“fg<@“\,ðfTf|[]f g,.,éfRf“fpjbfN,lfRf“fgf[]f%°,Í^È
%°°,ì,Æ,“,è,Å,·B

- E Compaq Netelligent/NetFlex-3fRf“fgf[]f%°
- E Compaq Netelligent 10/100 TX PCI UTPfRf“fgf[]f%°
- E Compaq Netelligent 10 T PCI UTPfRf“fgf[]f%°

fšf_f“f_f“fg fRf“fgf□□lf%o

2-‡,ìTLANf`fbfv fZfbfg,đŠÜ,pCompaqflfbfgf□□lfN fRf“fgf□□lf%o,đ1-‡,đfAfNfefBfu,ÈfRf“fgf□□lf
%o□A,à,‡1-‡,đfZfjf“f_fŠ fRf“fgf□□lf%o,Æ,μ,ÄŽg—p,Å,«,é,æ,‡
,ÉŸ’è,μ,Ä’g,Ÿ□‡,í,¹,½fRf“fpfbfN,lfAfhfof“fXfg flfbfgf□□lfN□áŠQŸŸo/”ù□³<@”\
,Í□Aflfbfgf□□lfN,É□áŠQ,ª”□¶,μ,½□ê□‡,Å,à,»,ì,±,Æ,đft□lfU,É^ÓŽ`³,¹,Ü,¹,ň□B



Compaq Professional Workstation, ĩfi ĩ[fffBfi ftfi ĩ[fg

Compaq Windows NT Workstation SSD, ĩfi ĩ[fffBfi fhf%ofCfo, ĩA Compaq Professional Workstation, É•W ĩ€„Á“ ĩÚ, ³, è, Ä, ç, é ESS 1868/1869 AudioDrive TfEf“ fh fRf“ fgf ĩ[fg, ð Tf ĩ[fg, µ, Ü, ĩB, ±, ĩfhf%ofCfo, ĩA, ±, ĩfhf%ofCfo, ð Tf ĩ[fg, ·, é Compaq Professional Workstation, ÉfCf“ fXfg ĩ[ç, ·, é, ±, Æ, ², Á, «, Ü, ĩB

ftfi ĩ[fg, ³, è, éfn ĩ[fhfEfFfA

ESS AudioDrive Rf“ fgf ĩ[fg, ĩA, ·, x, Ä, ĩ Compaq Professional Workstation, Á Tf ĩ[fg, ³, è, Ä, ç, Ü, ĩB

“Á•É, È’ ĩ^ ÓŽ- ĩ€

f ĩ[fffBfi fhf%ofCfo, ĩA fRf“ fgf ĩ[ç fp ĩfç, ©, ç, ĩfCf“ fXfg ĩ[ç, µ, È, ç, æ, ², É, ·, é, ±, Æ, ð, ·, ·, ·, ß, µ, Ü, ĩB fRf“ fgf ĩ[ç fp ĩfç, ©, çfCf“ fXfg ĩ[ç, ·, é, Æ ĩA fhf%ofCfo, ¾, ·, ²fCf“ fXfg ĩ[ç, ³, è, Á ĩA ĩY’ è fA fCfRf“, ĩfCf“ fXfg ĩ[ç, ³, è, Ü, ¹, ñ ĩB ĩœ, ·, é ĩè ĩ±, à fRf“ fgf ĩ[ç fp ĩfç, ©, ç ĩœ, µ, È, ç, ±, Æ, ð, ·, ·, ·, ß, µ, Ü, ĩB

ŠÖ ~ Aftf@fçfç

VAUDIO\ESS\NT40fffBfiçfNfgfŠ, É, ĩA Windows NT Workstation 4.0—p, ĩftf@fçfç, ²“ü, Á, Ä, ç, Ü, ĩB

AUDDRIVE.SYS f ĩ[fffBfi32-frfbfg fhf%ofCfo
AUDDRIVE.DLL f ĩ[fffBfi fhf%ofCfo—p, ĩDLL
CONFIG.INI fhf%ofCfo—p, ĩfŠf ĩ[X fZfbfgfAfbfv
OEMSETUP.INF fCf“ fXfg ĩ[ç ftf@fçfç

ESS AudioDrive fhf%ofCfo, ĩfCf“ fXfg ĩ[ç, Æ fAfbfvff ĩ[fg

ESS AudioDrive fhf%ofCfo, ð fCf“ fXfg ĩ[ç, Ü, ½, ĩ fAfbfvff ĩ[fg, ·, é, É, ĩA ^ È%º, ĩŽ è ĩ±, É ĩ, Á, Ä, ·, ¾, ¾, ç ĩB

1. Windows NT Workstation, ðçN“ ®, µ, Ä ĩA ŠÇ— ĩŽ ĩ Administrator ĩ, ĩç ÆA, ², é fA fEf“ fg, Á f ĩ fCf“, µ, Ü, ĩB
2. [Compaq Windows NT Workstation SSD, ĩfZfbfgfAfbfv fv ĩ fOf %of€ ĩ ĩ SETUP.EXE ĩ, ðŽ ĩs, µ, Ü, ĩB](#)
3. fZfbfgfAfbfv f ĩfCf“ fEfBf“ fhfE ĩ ĩ fXf^ f€ ĩ, Á [ESS 1868/1869 AudioDrive ĩ[fffBfi fRf“ fgf ĩ[fg], ð ‘ ĩ ð, µ, Ä ĩA [‘g, Ý ĩž, Ý], Ü, ½, ĩ [X ĩV], ð fNfŠfbfN, µ, Ü, ĩB

ĩd—v: fhf%ofCfo, ĩfCf“ fXfg ĩ[ç ‘t, É ESS AudioDrive, ð ĩY’ è, ·, é, ±, Æ, ĩ, Á, «, Ü, ¹, ñ ĩB, Ü, ½ ĩA Windows NT Workstation 4.0, ĩfRf“ fgf ĩ[ç fp ĩfç, ĩ[ç] fçf` f ĩ[fffBfi], ©, ç, ĩ ĩY’ è ç@“\, à-³ çø, É, È, è, Ü, ĩB

ESS AudioDrive, ĩffftfHfçfg ĩY’ è, ĩ ^ È%º, ĩ, Æ, ·, è, Á, ĩB

I/Ofx ĩ[X fAfhfçfX:	220
fLfffvf` ffIRQ:	5
fLfffvf` ffDMA:	1
MPU401 I/OfAfhfçfX:	330
ĩÄ ĩDMA:	0

4. fZfbfgfAfbfv
fvf[]fOf%of€ ,đ[]—¹ ,·,é, ©[]A'¹/₄ ,lfRf“f[] [flf“fg, ì'g, Ý[]ž, Ý/[]X[]V/[]í[]œ, đ'ì'đ, μ, Û, ·[]B
5. fRf“fsf...[] [f^, đ[]Ä<N“@ ,·, élfvfVf†f“ ,đ'ì'đ, μ[]AfZfbfgfAfbfv fvf[]fOf%of€ ,đ[]—¹ ,μ, ¹/₂ ,çCD, đŽæ, è[]o, μ, Û, ·[]B

ESS AudioDrivefhf%ofCfo, l[]í[]œ

ESS AudioDrivefhf%ofCfo, đ[]í[]œ, ·, é, É, í[]A^È%o^o , ìžè[]‡, É[], Á, Ä, , ³/₄ , ³ , ç[]B

1. Windows NT Workstation, đ<N“@ , μ, Ä[]AŠÇ—
[]Ž[]ò[]iAdministrator[]j, Ì[]E []ÈÀ, ^a , éfAjjfEf“fg, Åf[]fOfCf“ , μ, Û, ·[]B
2. [Compaq Windows NT Workstation SSD, lfZfbfgfAfbfv fvf\[\]fOf%of€\[\]iSETUP.EXE\[\]i, đŽÄ\[\]s, μ, Û, ·\[\]B](#)
3. fZfbfgfAfbfv f[]fCf“ fEfBf“fhfE[]ifjfxf^f€[]j, Å[ESS 1868/1869 AudioDrivef[] [fffBf]fRf“fgf[] [f%o], đ'ì'đ, μ, Ä[]A[[]í[]œ]f{f^f“ , đfNfŠfbbfN, μ, Û, ·[]B
4. fZfbfgfAfbfv
fvf[]fOf%of€ ,đ[]—¹ ,·,é, ©[]A'¹/₄ ,lfRf“f[] [flf“fg, ì'g, Ý[]ž, Ý/[]X[]V/[]í[]œ, đ'ì'đ, μ, Û, ·[]B
5. fRf“fsf...[] [f^, đ[]Ä<N“@ ,·, élfvfVf†f“ ,đ'ì'đ, μ[]AfZfbfgfAfbfv fvf[]fOf%of€ ,đ[]—¹ ,μ, ¹/₂ ,çCD, đŽæ, è[]o, μ, Û, ·[]B

{ button ìž ½Ö~ Äìž ½ìž ½ìž ½ìž ½ìž ½ìž, AL(` setup;video support', 0, `', `') }



Compaq Professional Workstation, lřOf%oftfBfbfNfX fTf|[]fg

Compaq Windows NT Workstation SSD, lřffBfXfvfCfC fhf%ofCfo, lřA^È%o, lřOf%oftfBfbfNfX fRf“fgf[]f%o, đTf|[]fg, μ, Û, ·B

- E 3Dlabs Oxygen GVX1fOf%oftfBfbfNfX fRf“fgf[]f%o
- E Compaq PowerStorm 300fOf%oftfBfbfNfX fRf“fgf[]f%o
- E Compaq PowerStorm 600fOf%oftfBfbfNfX fRf“fgf[]f%o
- E Diamond Multimedia Fire GL 4000fOf%oftfBfbfNfX fRf“fgf[]f%o
- E ELSA GLoria-LfOf%oftfBfbfNfX fRf“fgf[]f%o
- E ELSA GLoria-XLfOf%oftfBfbfNfX fRf“fgf[]f%o
- E ELSA GLoria SynergyfOf%oftfBfbfNfX fRf“fgf[]f%o
- E ELSA GLoria Synergy+fOf%oftfBfbfNfX fRf“fgf[]f%o
- E ELSA Synergy lřOf%oftfBfbfNfX fRf“fgf[]f%o
- E Matrox MGA MillenniumfOf%oftfBfbfNfX fRf“fgf[]f%o
- E Matrox Millennium II PClřOf%oftfBfbfNfX fRf“fgf[]f%o
- E Matrox Millennium G200 PCI/AGPfOf%oftfBfbfNfX fRf“fgf[]f%o

Compaq Windows NT Workstation SSD, lřZfbfgfAfbfv fvf[]Of%of€ , đŽg—p, μ, Ä, ±, è, ç, lřhf %ofCfo, đfCf“fXfg[]f<, ·, é, É, lřA, ±, è, ç, lřffofCfX, ¢, È, ·, è, lř, È, è, Û, ·, ñB Windows NT Workstation, lřRf“fgf[]f< fpflf<, ©, ç, ±, è, ç, lřhf%ofCfo, đfCf“fXfg[]f<, ·, é, è, lřffofCfX, ¢, È, ·, Ä, à, đfCf“fXfg[]f<, ·, é, ±, Æ, lř, Ä, «, Û, ·, ¢A[]³[]i, ÈfCf“fXfg[]f<, ¢, È, ¢%oÄ“\[]«, ¢, è, Û, ·, B, μ, ½, ¢, Ä, Ä[]A· K, ·, ±, è, ç, lřffofCfX, ¢“<[]Û, ¢, è, Ä, ¢, é[]ó‘Ö, Ähf%ofCfo, đfCf“fXfg[]f<, ·, é, ±, Æ, ð, ·, ·, ·, ß, μ, Û, ·, B

Compaq Windows NT Workstation SSD, ©, çfCf“fXfg[]f<, ·, é, è, è, ±, ±, è, ç, lřhf %ofCfo, lřA[]Y’èfAfvfCfBfg, Æ, Æ, à, ÈfCf“fXfg[]f<, ¢, è, è, ½, ß[]Aft[]fU, lřAf_fvf^, È^Û, È, é, l, ðY’è, ·, é, ±, Æ, ¢, Ä, «, Û, ·, Bfhf%ofCfo, đfRf“fgf[]f< fpflf<, ©, çfCf“fXfg[]f<, ·, é, è, è, ±, ±, Y’èfAfvfCfBfg, lřCf“fXfg[]f<, ¢, è, Û, ·, ñB

fff...fAf< f, fff^ fTf|[]fg

Compaq Professional Workstation, É, lřA^~ , lřŽí—p, lřOf%oftfBfbfNfX fRf“fgf[]f%o, đ2, Ä“<[]Û, ·, é, ±, Æ, ¢, Ä, «, Û, ·, B, ±, lř, æ, x, É[][]—, ·, é, Æ[]Aft[]fU, lřP^è, lř%oæ— ÈfCf“fXf^f“fX, lř, ¢, Û, ·, Û, È·”· ¢, đ2’ä, lř, fff^ , È·\Ž, μ, Ä’S’l, lř·\Ž, —l^æ, đŠg’É, ·, é, ±, Æ, ¢, Ä, «, Û, ·, B·;[]” , lřOf%oftfBfbfNfX fRf“fgf[]f%o, ¢1, Ä, lřVfXfef€, Ä·K—v, Æ, ·, é, fhf%ofCfo fCf“fXf^f“fX, lř1, Ä, ¾, ·, Ä[]l, Y, Û, ·, B

fff...fAf< f, fff^ fTf|[]fg, ðY’è, ·, é, É, lřAfn[]fhfEfFfA, ÆfvtfgfEfFfA, lř— ¼·ù, ðY’è, μ, È, ·, è, lř, È, è, Û, ·, ñB lřvtfgfEfFfA, lřAfn[]fhfEfFfA, lřY’è, ¢Š®—¹, μ, ½, ·, Æ, ÈY’è, ·, é, ±, Æ, ¢, Ä, «, Û, ·, B lřvtfgfEfFfA, lřAfvf“fgf[]f< fpflf< fAfvfCfBfg, đŽg—p, μ, ÄY’è, μ, Û, ·, B, ±, è, ç, lřY’èfAfvfCfBfg, É, lřA[]%oæ—È, lřvf[]fpfefB lř_fCfAft[]fO f{fbfNfX, lřvf[]fpfefB fV[]fg, đŠ, ¢, Ä[]AfvfNfZfX, Ä, «, Û, ·, B, ±, lřvtfgfEfFfA, ðY’è, ·, é, É, lřAfffBfXfvfCfC fhf%ofCfo, lřY’è, lř€ , đZQ[]Æ, μ, Ä, ·, ¾, ¢, B

ŠÖ~Aftf@fCf<

3Dlabs Oxygen GVX1fOf%oftfBfbfNfX fRf“fgf[]f%o

, ±, lřhf%ofCfo, lřA^È%o, lřtf@fCf<, Ä[][]—, ¢, è, Ä, ¢, Û, ·, B

- 3DCTRL.DLL fRf“fgf[]f< fpflf<, lřŠg’É
- 3DOGLDRV.DLL OpenGLfCf“fXfg[]f<%oÄ“\, ÈfNf%ofCfAfvf“fg fhf%ofCfoDLL
- GLINTDD.DLL GLINTffBfXfvfCfC fhf%ofCfo

GLINTMD.SYS Glintf~fjfl[]fg fhf%ofCfo

Compaq PowerStorm 300fOf%oftfBfbfNfX fRf“fgf[]lf%o

,±,lfhf%ofCfo,íA^È%o,iftf@fCf<,Å[]-,-,³,è,À,ç,Û,·B

PBXGDAC.SYS PowerStorm 300f~fjfl[]fg fhf%ofCfo
PBXGDAC.DLL PowerStorm 300fffBfXfvfCfC fhf%ofCfo
PBXGDACOG.L.DLL PowerStorm 300fCf“fXfg[]f.<%oÀ”\,ÈfNf%ofCfAf“fg fhf%ofCfo
PBXGDACTAB.DLL MCDfRf“fgf[]f< foflf<,lSg'£
PBXGDAC.INF fCf“fXfg[]f< ftf@fCf<

Compaq PowerStorm 600fOf%oftfBfbfNfX fRf“fgf[]lf%o

,±,lfhf%ofCfo,íA^È%o,iftf@fCf<,Å[]-,-,³,è,À,ç,Û,·B

GLZMPD.SYS PowerStorm 600fhf%ofCfo
INTENS3D.INF fZfbfgfAfbfv[]î•ñftf@fCf<

Diamond Multimedia Fire GLfOf%oftfBfbfNfX fRf“fgf[]lf%o

,±,lfhf%ofCfo,íA^È%o,iftf@fCf<,Å[]-,-,³,è,À,ç,Û,·B

FGL4KM.SYS Fire GL 4000fffBfXfvfCfC f~fjfl[]fg fhf%ofCfo
FGL4K.DLL Fire GL 4000fffBfXfvfCfC fhf%ofCfo
FGL4K3D3.DLL Fire GL 4000fffBfXfvfCfC fhf%ofCfo
FGL4K3D4.DLL Fire GL 4000fffBfXfvfCfC fhf%ofCfo
DMDIRECT.SYS DMDIRECTfhf%ofCfo
FGL4K.INF fZfbfgfAfbfv[]î•ñftf@fCf<

ELSA GLoria-LfOf%oftfBfbfNfX fRf“fgf[]lf%o

,±,lfhf%ofCfo,íA^È%o,iftf@fCf<,Å[]-,-,³,è,À,ç,Û,·B

ELSA.HLP ELSAfwf<fv ftf@fCf<
ELSAOGL.DLL fffBfXfvfCfC fhf%ofCfo
WINNER.DLL fffBfXfvfCfC fhf%ofCfo
WINNER.SYS f~fjfl[]fg fhf%ofCfo
WINNERMB.DLL fffBfXfvfCfC fhf%ofCfo
ELSA.INF fZfbfgfAfbfv[]î•ñftf@fCf<

ELSA GLoria-XLfOf%oftfBfbfNfX fRf“fgf[]lf%o

,±,lfhf%ofCfo,íA^È%o,iftf@fCf<,Å[]-,-,³,è,À,ç,Û,·B

EGLXLM.SYS f~fjfl[]fg fhf%ofCfo
EGLXLD.DLL fffBfXfvfCfC fhf%ofCfo
EMGLXLD.DLL fffBfXfvfCfC fhf%ofCfo
EOGLXL.DLL fffBfXfvfCfC fhf%ofCfo
ELSA.INF fZfbfgfAfbfv[]î•ñftf@fCf<

ELSA GLoria SynergyfOf%oftfBfbfNfX fRf“fgf[]lf%o

,±,lfhf%ofCfo,íA^È%o,iftf@fCf<,Å[]-,-,³,è,À,ç,Û,·B

EGLPM.SYS f~fjfl[]fg fhf%ofCfo
EMGLPD.DLL fffBfXfvfCfC fhf%ofCfo
EOGLP.DLL fffBfXfvfCfC fhf%ofCfo
ELSA.INF fZfbfgfAfbfv[]î•ñftf@fCf<

ELSA GLoria Synergy+ fOf%oftfBfbfNfX fRf“fgf[]lf%o

,±,lfhf%ofCfo,ÍA^È%º,ìtf@fCf<,Å\Ñ→,³,ê,Ä,ç,Û,·□B

EGLPM.SYS f~fjfl□[fg fhf%ofCfo
EMGLPD.DLL fffBfXfvfÇfC fhf%ofCfo
EOGLP.DLL fffBfXfvfÇfC fhf%ofCfo
ELSA.INF fZfbfgfAfbfv□î•ñftf@fCf<

ELSA GLoria Synergy IIOf%oftfBfbfNfX fRf“fgf□□[f%º

,±,lfhf%ofCfo,ÍA^È%º,ìtf@fCf<,Å\Ñ→,³,ê,Ä,ç,Û,·□B

ESYNIIG.SYS ELSA Synergy II Windows NTf~fjfl□[fg fhf%ofCfo
ESYNIIM.SYS ELSA Synergy II Windows NTf~fjfl□[fg fhf%ofCfo
ESYNIID.DLL ELSA Synergy II Windows NTfffBfXfvfÇfC fhf%ofCfo
ESYNIIDM.DLL ELSA Synergy II Windows NTfffBfXfvfÇfC fhf%ofCfo
ESYNIIO.DLL ELSA Synergy II Windows NT OpenGL ICD
ESYNIIF.INF fCf“fXfg□[f< ftf@fCf<

Matrox Millennium II PCI/Millennium G200 PCI/Millennium G200 AGPof

%oftfBfbfNfX fRf“fgf□□[f%º

,±,lfhf%ofCfo,ÍA^È%º,ìtf@fCf<,Å\Ñ→,³,ê,Ä,ç,Û,·□B

MGA64.DLL MGA DLL
MGA64.INF Windows NT WorkstationfZfbfgfAfbfv,lfhf%ofCfo'g,Ý□ž,Ýftf@fCf<
MGA64.SYS MGA Millennium Matrox MystiquefffBfXfvfÇfC fhf%ofCfo
MGASHEET.HLPMGA□Ý'èfvf□pfefB fV□[fg,lfwf<fv ftf@fCf<

Matrox MGA MillenniumOf%oftfBfbfNfX fRf“fgf□□[f%º

,±,lfhf%ofCfo,ÍA^È%º,ìtf@fCf<,Å\Ñ→,³,ê,Ä,ç,Û,·□B

MGA64.DLL MGA DLL
MGA64.INF Windows NT WorkstationfZfbfgfAfbfv,lfhf%ofCfo'g,Ý□ž,Ýftf@fCf<
MGA64.SYS Matrox MGA MillenniumfffBfXfvfÇfC fhf%ofCfo
MGASHEET.HLPMGA□Ý'èfvf□pfefB fV□[fg,lfwf<fv ftf@fCf<

fTf|□[fg,³,ê,éfn□[fhfEfFfA

fOf%oftfBfbfNfX fhf%ofCfo,ÍA,·,×,Ä,lfRf“fpfbfN,ìf□□[fnfXfe□[fvf±f“,ÅfTf|□[fg,³,ê,Û,·□B
Compaq PowerStorm 600fOf%oftfBfbfNfX fRf“fgf□□[f%º,ÍCompaq Professional Workstation
SP700□ã,ì,Ý,ÅfTf|□[fg,³,ê,Û,·,ì,Å□A—B^ê—áŠO,Æ,È,è,Û,·□B
{button ÿ½Ö~Aï½ï½ï½ï½ï½,AL(` setup;audio;video configuring;video installing',0,`,`')}



fffBfXfvfCfC fhf%oCfo,lfCf“fXfg[]f<[]AfAfbfvff[]fg[]A,“ ,æ,Ñííœ

fRf“fpfbfN,lfTf[]fg fvtfgfEfFfA,lfZfbfgfAfbfv fvf[]fOf%o€€,Å,í[]A(1)[],-fZfbfgfAfbfv,Æ(2)flfXf^f€
fZfbfgfAfbfv,í2'É,è,í•û-@,Åfhf%oCfo,Æft[]fEfBfSfefB,ðfCf“fXfg[]f<,·,é,±
,Æ,ª,Å,«,.,Ü,·[]B[],'¬fZfbfgfAfbfv,Å,í[]Afhf%oCfo,lfCf“fXfg[]f<,ª•K-v,È,ê,ê[]AZ©“@“l,É,»,lfhf
%oCfo,ªCEY[]o,ª,è,Ü,·[]B[],'¬fZfbfgfAfbfv,ì%oæ-È,È^è“x,È•\Z!,ª,è,éfOf%oftfBfbfNfX fRf“fgf[]f
%o,í1,Å,¾,·,Å,·[]B

“Á•È,È'[]^ÓŽ-[]€

fRf“fgf[]f< fpjlf<,©,çfhf%oCfo,ðfCf“fXfg[]f<,·,é,ê,ê[]Afhf
%oCfo,¾,·,ªfCf“fXfg[]f<,ª,è,é,½,ß[]AfRf“fgf[]f< fpjlf<,©,ç,lfCf“fXfg[]f<,µ,È,ç,±
,Æ,ð,·,·,·,ß,µ,Ü,·[]B,Ü,½fRf“fgf[]f< fpjlf<,©,ç[]íœ,µ,È,ç,±,Æ,à,·,·,·,ß,µ,Ü,·[]B

fffBfXfvfCfC fhf%oCfo,ðfCf“fXfg[]f<,·,é,É,í[]ACompaq Windows NT Workstation SSD,lf<[]fg
fffBfCfNfgfS“à,É,·,éfZfbfgfAfbfv fvf[]fOf%o€€,ðŽÅ[]s,µ,Ü,·[]BfZfbfgfAfbfv fvf[]fOf%o€€
,ðŽÅ[]s,·,é,É,í[]AfffOfCfX,ª•K-v,Å,·[]BfZfbfgfAfbfv fvf[]fOf%o€€,í[]ASY“-·,·,éfhf
%oCfo,ðfRfs[][,µ,½,·,Æ[]AfAfbfvff[]fg,µ,½fhf%oCfo,ðŽg-p,Å,«,é,æ,x,ÉfVfXfef€,ð[]-µ,Ü,·[]B

fffBfXfvfCfC fhf%oCfo,lfCf“fXfg[]f<[]AfAfbfvff[]fg[]Aííœ

fffBfXfvfCfC fhf%oCfo,ðfCf“fXfg[]f<[]AfAfbfvff[]fg[]A,Ü,½,í[]íœ,·,é,É,í[]A^È%oº,ìŽè[]±,É[]],Á,Ä,-
,¾,¾,ç[]B

- d—v[]FfffBfXfvfCfC fhf%oCfo,ðfCf“fXfg[]f<,·,é'O,É[]AMicrosoft Windows NT Service Pack3^È[]~,ð•K,·fCf“fXfg[]f<,µ,Å,¾,¾,ç[]B
- Compaq Power Storm 600fOf%oftfBfbfNfX fRf“fgf[]f%o fhf %oCfo,ðfCf“fXfg[]f<,·,é'O,É[]AMicrosoft Windows NT Service Pack 4,ð•K,·fCf“fXfg[]f<,µ,Å,¾,¾,ç[]B
- Compaq Power Storm 300fOf%oftfBfbfNfX fRf“fgf[]f%o fhf %oCfo,ðfCf“fXfg[]f<,·,é'O,É[]AMicrosoft Windows NT Service Pack 3^È[]~,ð•K,·fCf“fXfg[]f<,µ,Å,¾,¾,ç[]B

1. Windows NT Workstation,ð•N“® ,µ[]AŞÇ—
[]ŽÓ[]iAdministrator[]j,íCE ÇEA,ª,·,éAfjJef“fg,Åf[]fOfCf“,µ,Ü,·[]B
2. [Compaq Windows NT Workstation SSD,lfZfbfgfAfbfv fvf\[\]fOf %o€€\[\]iSETUP.EXE\[\]j,ðŽÅ\[\]s,µ,Ü,·\[\]B](#)
3. fZfbfgfAfbfv f[]fCf“ fEfBf“fhfE,Å[]AZÿ,ì,ç,·,è,©,ð'l'ð,µ,Ü,·[]B
 - E 3Dlabs Oxygen GVX1fOf%oftfBfbfNfX fRf“fgf[]f%o
 - E Compaq PowerStorm 300fOf%oftfBfbfNfX fRf“fgf[]f%o
 - E Compaq PowerStorm 600fOf%oftfBfbfNfX fRf“fgf[]f%o
 - E Diamond Multimedia Fire GL 4000frfffi fAfNfZf%oCf[]f^
 - E Elsa GLoria-LfOf%oftfBfbfNfX fRf“fgf[]f%o
 - E ELSA GLoria-XLfOf%oftfBfbfNfX fRf“fgf[]f%o
 - E ELSA GLoria Synergy/Synergy+fOf%oftfBfbfNfX fRf“fgf[]f%o
 - E ELSA Synergy lIfOf%oftfBfbfNfX fRf“fgf[]f%o
 - E Matrox MGA/MillenniumfOf%oftfBfbfNfX fRf“fgf[]f%o
 - E Matrox Millennium II/G200fOf%oftfBfbfNfX fRf“fgf[]f%o
4. [g,Ýç,Ž,Ý][]A[]X[]V],Ü,½,í[]íœ],ðfNfSfbfN,µ,Ü,·[]B

'[] : ÇE»[]ÝfAfNfefBfu,ÈfffBfXfvfCfC fhf%oCfo,ð[]íœ,·,é,Æ[]AŞù,ÉfCf“fXfg[]f<,ª,è,Ä,ç

,éfx[]fXVGAfhf%ofCfo,¾, ¯,ªŽc,è,Û,·□B

fVfXfef€,ª□Ä<N“®;,·,é,Æ□Afx[]fXVGAfhf%ofCfo,ªŽg,í,è,Û,·□B,±
,è,É,æ,Á,Ä□ACE»□Y,ífOf%oftfBfbfNfX fRf“fgf□□[f%o,ð□V,µ,¢fOf%oftfBfbfNfX
fRf“fgf□□[f%o,ÆCEðŠ·,µ□AWindows NT
Workstation,ð□Ä<N“®,µ,Ä□A□V,µ,¢fRf“fgf□□[f%o,ífhf%ofCfo,ðfCf“fXfg□[f<,·,é,±
,Æ,ª,Ä,«,Û,·□B

5. [□|—¹],ð‘l‘ð,µ,ÄfZfbfgfAfbfv fv□fOf%of€,ð□|—¹,·,é,©□A,Û,½,í‘¼,ífftfgfEfffA fRf“f|
□[f|f“fg,l‘g,Y□ž,Y/□X□V/□í□œ,ðŽA□s,µ,Û,·□B
6. fRf“fsf...□[f^,ð□Ä<N“®,·,é|fvVf†f“,ð‘l‘ð,µ□AfZfbfgfAfbfv fv□fOf%of€,ª□|—
¹,µ,½,çCD,ðŽæ,è□o,µ,Û,·□B

{button ĩ¿½Ö~Ai¿½¿½¿½¿½¿½¿½,AL(` setup;video configuring;video support',0,`,`'`)}



fffBfXfvfCfC fhf%oCfo,ìY'è

fffBfXfvfCfC fhf%oCfo,ìY'è+AfvfpfefB fV[fg,Windows NT Workstation,ì[æ-
È,ìfvfpfefB]f_CfAfO f{fbfNfX,É'C%A,³,è,Ü,·B,±,è,ç,ìfvfpfefB fV[fg
ft[feBfSfeB,íAfOf%ftfBbfNfX fRf"fgf[f%o,ì»'tÆ³,©,ç'ñ<Y,³,èAfOf%ftfBbfNfX
fRf"fgf[f%o,ðCf"fxfg[f<,μ,½Æä,ÉSE'P,ÉfjXf^f}fCfY,μ,ÄAÝ'è,Å,«,Ü,·B

3Dlabs Oxygen GVX1fffBfXfvfCfC fhf%oCfo,íAWindows NT Workstation,ì[æ-
È,ìfvfpfefB]f_CfAfOf{fbfNfX,ì[3Dlabs]fvfpfefB fV[fg,ÅY'è,Å,«,Ü,·B

ELSA GLoria-L/GLoria-XL/Synergy/Synergy+fffBfXfvfCfC fhf%oCfo,íAWindows NT
Workstation,ì[æ-È,ìfvfpfefB]f_CfAfO f{fbfNfX,ì[GLoria Settings]fvfpfefB
fV[fg,ÅY'è,Å,«,Ü,·B

ELSA Synergy lfffBfXfvfCfC fhf%oCfo,íAWindows NT Workstation,ì[æ-
È,ìfvfpfefB]f_CfAfOf{fbfNfX,ì[ELSA Settings]fvfpfefB fV[fg,ÅY'è,Å,«,Ü,·B

DIAMOND Fire GL 4000fhf%oCfo,ðY'è,·,é,É,íAWindows NT Workstation,ì[æ-
È,ìfvfpfefB]f_CfAfO f{fbfNfX,ì[\-]fvfpfefB fV[fg,ÅY'è,Å,«,Ü,·B

Matrox MGA MillenniumMillennium II PCIMillennium G200 PCI,Ü,½,íMillennium G200
AGP,ðY'è,·,é,É,íA[Matrox·Ž!fvfpfefB]fRf"fgf[f< fpf<,ÅY'è,Å,«,Ü,·B

ã<L,ìfhf%oCfo,Å<α'É,μ,ÄTf[fg,³,è,éfftfHf<fg'l,ÍŽY,ì,Æ,¨,è,Å,·B

 %oð'œ"x: 640 x 480
 ff%[: 256
 fŠtfCfbVf... fC[fg: 60 Hz

{button ÿ ½Ö~Aï½½½½½½½,AL(` video installing;mediator;video support',0,`,`)}



Logitech MouseWare

Logitech MouseWare, í A3, , æ, Ñ4f{f^f"f}fEfX, Ìšef{f^f", É<@"\, đŠ,, è"-, Ä, é, ±, Æ, º, Å, «, Ü, · B, ±, ÌftfgfEfFfASmartStart for Workstations CD v1.30^É~ , Å~—p%oÅ"\, Å, · B

ftf|[]fg, º, é, éfn[]fhfEfFfA

Logitech MouseWare, í ACompaq Professional Workstation, Ì'Sf, fff<, Åftf|[]fg, º, é, Ä, ç, Ü, · B

Logitech MouseWare, ÌfCf"fXfg[]f<

Logitech MouseWare, đfCf"fXfg[]f<, ·, é, É, í A^È%o, Ìžè[]ž, É[], ç, Ü, · B

1. Windows NT Workstation, đ<N"® , µ AŠÇ—
[]ŽÒ[]Administrator[]j, ÌCE ÆA, º, , éfAjjfEf"f, Åf[]fOfCf", µ, Ü, · B
2. SmartStart for Workstations CD[]iVer 1.30^É~[]j, đ' } "ü, µ, Ü, · B

'[]: SmartStart, º<N"® , µ, ½[]é[]ž, í AfEfBf"f, hfE
%oE[]ä, Ì[X][]i·Å, ¶, é[]j{f^f", đfNfŠfbfN, µ, Å, , ¾, º, ç[]B

3. [fXf^[]fg]f[]j...[][, ©, ç[ftf@fCf<-¼, đžw'è, µ, ÄžÀ[]s], đ'l'đ, µ, Ü, · B
4. X:\CPQDRV\LOGITECH\MOUSEWARE\SETUP.EXE[]X, íCD-ROMfhf%ofCfu-¼[]j, Æf^fCfv, µ[]A[OK], đfNfŠfbfN, µ, Ü, · B

'[]: \CPQDRV\LOGITECH\MOUSEWAREfffBfCefNfgfŠ, ÌREADME.TXTftf@fCf<, Éf\ftfgfEfFfA, Ìžg—p·û-@, ÉŠÖ, ·, é[]î·ñ, º<L[]Ú, º, é, Ä, ç, Ü, · B

{button Ì½Ö~Ai½i½i½i½i½, AL(`overview', 0, `', `')}



Compaq Šſf, [fgROMfAfbfvff [fg, ", æ, ŃfZfLf... fŠſfBŸ' èfT [frfX

fŠſf, [fgROMfAfbfvff [fg, ", æ, ŃfZfLf... fŠſfBŸ' èfT [frfX, ðfTf [fg, , éfhf%ofCfo, íACompaq Windows NT Workstation SSD, Ā'ñ<Ÿ, ³, é, Û, ·B

fhf%ofCfo, ì—~“_

, ±, ìfhf%ofCfo, ðfCf“fXfg [f<, , é, ±, Æ, É, æ, è^È%º, ì<@“\, ðŽÀ [s, Ā, «, Û, ·B

- E flfyfCE [fefBf“fo fvfxfef€ , ìŽÀ [s' t, Ā, àROM, ðfAfbfvff [fg, Ā, «, Û, ·BROM, ìfAfbfvff [fg, ð—LCEø, É, , é, É, íAfvfxfef€, ìĀ<N“ @ , ³•K—v, Ā, ·B
- E flfyfCE [fefBf“fo fvfxfef€, ìŽÀ [s' t, Ā, ðfZfLf... fŠſfB, ìŸ' è, ð•ìX, Ā, «, Û, ·BŸ' è, ð—LCEø, É, , é, É, íAfvfxfef€, ìĀ<N“ @ , ³•K—v, Ā, ·B

fTf [fg, ³, è, éfn [fhfEJfFA

fŠſf, [fgROMfAfbfvff [fg, ÆfZfLf... fŠſfBŸ' èfT [frfX, íA^È%º, ìf, fff<, ìCompaq Professional Workstation, ĀfTf [fg, ³, è, Ā, ç, Û, ·B

- E Compaq Professional Workstation 5100
- E Compaq Professional Workstation AP200
- E Compaq Professional Workstation AP400
- E Compaq Professional Workstation AP500
- E Compaq Professional Workstation SP700

•K—v, ÈfTfgfEJfFA

, ±, ì<@“\, ðŽÀ [s, ³, ¹, é, ½, ß, É, íACompaq Šſf, [fg f} flfWf [fg fZfbfgfAfbfv ft [fefBfŠſfB, ðfCf“fXfg [f<, , é•K—v, ³, , è, Û, ·B

ŠÖ~ Aftf@fCf<

fhf%ofCfo, íA^È%º, ìftf@fCf<, ©, ç [[, ³, è, Ā, ç, Û, ·B

CPQRS.SYS fŠſf, [fgfT [frfX

Compaq Šſf, [fgROMfAfbfvff [fg, ", æ, ŃfZfLf... fŠſfBŸ' èfT [frfX, ìfCf“fXfg [f<, ÆfAfbfvff [fg

fhf%ofCfo, ðfCf“fXfg [f<, µ, ½, èfAfbfvff [fg, , é, É, íA^È%º, ìŽè [#, É [], ç, Û, ·B

1. Windws NT Workstation, ð<N“ @ , µAŠÇ— [ŽÖ [Administrator [j, ìCE ĀĀ, ³, , éfAjjfEf“fg, Āf [fOfCf“ , µ, Û, ·B
2. [Compaq Windows NT Workstation SSD, ìfZfbfgfAfbfv fvff \[fOf %of€ \[iSETUP.EXE \[j, ðŽÀ \[s, µ, Û, ·B](#)
Windows NT Workstation SSD, ìfZfbfgfAfbfv fvff [fOf %of€ , ðŽÀ [s, , é [è [# [ACompaq Šſf, [fgROMfAfbfvff [fg, ", æ, ŃfZfLf... fŠſfBŸ' èfT [frfX, ðŽ @ “ @ “ ĩ, ÈfCf“fXfg [f<, µ, ½, èfAfbfvff [fg, µ, Û, ·B
3. fZfbfgfAfbfv fvff [fOf %of€, ð [—¹, , é, © [A' ¼, ìfRf“f [[flf“fg, ì'g, Ÿ [ž, Ÿ [X [V [[í [œ, ð' ì' ð, µ, Û, ·B
4. fRf“fsf... [f^ , ðĀ<N“ @ , , é ìfvfvf# “ , ð' ì' ð, µ [AfZfbfgfAfbfv fvff [fOf %of€, ³ [—

¹,μ,½,ςCD,đŽæ,è□o,μ,Ü,·□B

{button ĩ½Ö~Aĩ½ĩ½ĩ½ĩ½,AL(`setup',0,`,`')}



Compaq Advanced Wake-on-LAN

Compaq Advanced Wake-on-LAN iCPQAWOL.SYS, Magic Packet, Wake-on-LAN, Advanced Wake-on-LAN

Supported Models

Compaq Advanced Wake-on-LAN, Compaq Professional Workstation

- Compaq Professional Workstation 5100
- Compaq Professional Workstation AP200
- Compaq Professional Workstation AP400
- Compaq Professional Workstation AP500
- Compaq Professional Workstation SP700

Installation

Advanced Wake-on-LAN

CPQAWOL.SYS Advanced Wake-on-LAN

Compaq Advanced Wake-on-LAN, fXfg, Afbfvff

Advanced Wake-on-LAN, fXfg, Afbfvff

- Windows NT Workstation, Administrator, fXfg, Afbfvff
- Compaq Windows NT Workstation SSDfZfbfgfAfbfv fvfOf %f€iSETUP.EXE, dZAs, m, U, B
Compaq Windows NT Workstation SSDfZfbfgfAfbfv fvfOf %f€
dZAs, , e, A Compaq Advanced Wake-on-LAN
%fCfo, lZc " " l, fCf "fXfg [f<, U, 1/2, fAfbfvff [fg, 3, e, U, B
- fZfbfgfAfbfv fvfOf %f€, d l - 1, , e, c A 1/4, lRf "f [f l "fg, l'g, Y z, Y / X V / i c e, d ' l ' d, m, U, B
- fRf "fsf... [f ^, d A N " @, , e, 1/2, B, l f l v f v f f " , d ' l ' d, m A f Z f b f g f A f b f v f v f O f % f € , d l - 1, m, 1/2, c CD-ROM, d Z a e, e o, m, U, B

{button Related Topics, AL('setup', 0, ', ')}

