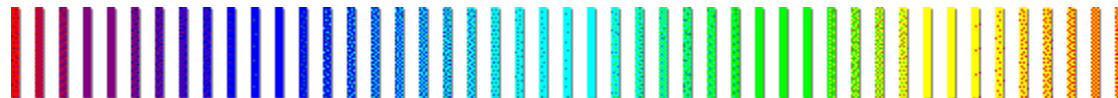


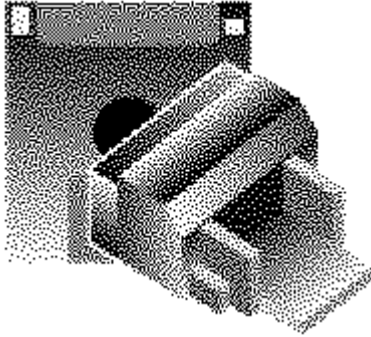
HP DeskJet 850C

f v f Š f “ f ^ , É Š Ö , . , é □ î • ñ

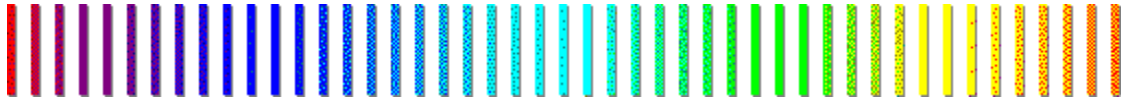
- HP f v f Š f “ f e f B f “ f O f v f X f e f €
- f E f C f “ f h f E , Æ f _ f C f A f □ f O f { f b f N f X
- Å “ K , È f v f Š f “ f ^ , ì □ Ý ’ è
- Š e Ž í — p Ž t , ì ’ I ’ ð
- p Ž t , Æ f v f Š f “ f g f J □ [f g f Š f b f W , ì Ž g — p - @
- ^ ó □ ü , É - â ’ è , ð , , é , Æ , «



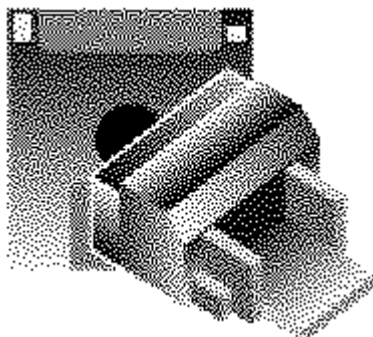
HP DeskJet fvfŠf“fefBf“fOfVfXfef€



- fvfŠf“f^,É,Â,ç,Ä
- fvfŠf“f^fhf%ofCfo,É,Â,ç
,Ä



fEfCf“fhfEfY,Æf_fCfAf□fOf{fbfNfX



ColorSmartf_fCfAf□fOf{fbfNfX

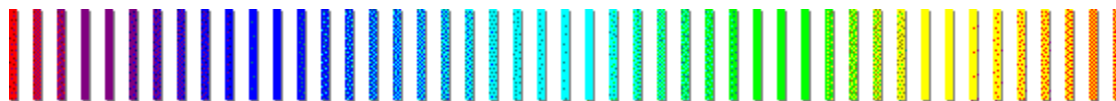


ColorSmartfIfvfVf†f“

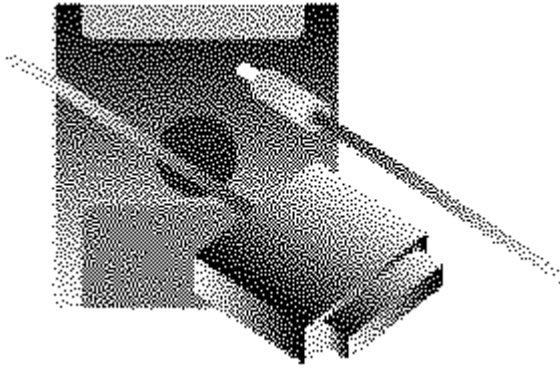
f_fCfAf□fOf{fbfNfX



HP DeskJetfXfe□If^fX f,fjf^



Å“K,ÈfvfŠf“f^,ìŸ'è



^óü«”\,ìŸüã

fvfŠf“f^fhf
%ofCfo,lfAfbfvfffg



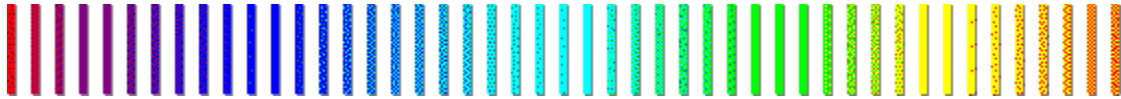
fGfRfmftf@[fXfgf,[fh,ìŽg—p

Ž©“®,Æf}fjf...fAf<,ì

ColorSmartfIfvfVf‡f“

fjf

%o[^óü,Æf,fmfNf^óü



 -ÚŽŮ

ŠeŽí—pŽt,ì'í'ď



OHPftfBf<f€,ì^óü



••“>,ì^óü



fJfXf^f€fTfCfY—pŽt,ì^óü



HPfvf€f~fAf€è—

pŽt,ì^óü



fOf€[fXfP[f<^óü

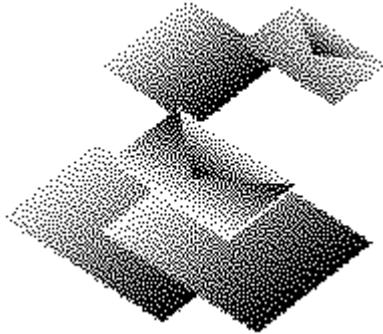


fJf%oo[ì^óü



-ůžŷ

—pžt,Æfvfšf“fgfJ□[fgfšfbfW,ìžg—p-@



—pžt,ìžzfbfg

ìßøýä¶°Äø^{-1/4}þ,ìžæ,è•t,-

ìßøýä¶°Äø^{-1/4}þ,ìž²‡,í,¹

ìßøýä¶°Äø^{-1/4}þ,ì ø°Æý þ

-ůžŷ

^óü,É-â'è,ª, ,é,Æ,«

«”\,ìŠm”F

fvšf“f^,ìf{f^f“,Æf

%of“fv,ìŠm”F

HP,ìTf|[]fg,đ“¾,é,É,í



-ÚŽŸ



HP DeskJetfvfŠf“fefBf“fOfVfXfef€

fvfŠf“f^ ,É,Â,ç,Ä



HP

DeskJet850C,íAfCE[fUfvfŠf“f^ ,È,Ý,ì• ,Æ
fjf%o[fOf

%oftfBfbfNfX,ð•’ÊŽ†,É,à,n,g,oftfBf<f€
,É,à^óü,Ä,« ,éjff%o[fvfŠf“f^ ,Ä,·B,Û,½HP
DeskJet850C,íA,Q,Ä,ì/Oj

[fg,ð,à,¿Windows,ÆMac'o•û,ìŠÂ« ,ÅŽg—
p,Ä,« ,Û,·B



Žg—p,Ä,« ,é—pŽt,ìŽí—p



fvfŠf“fgf] [fgfŠfbfW,É,Â,ç,Ä



fvfŠf“f^ ,ìf{f^f“ ,Æf
%of“fv





-ÚŽŸ



HP DeskJet fvfŠf“fefBf“fOfVfXfef€



fvfŠf“f^,É,Â,č,Ä

Žg—p,Å,«,é—pŽt,ìŽí—p



HP DeskJet850C, íA%º<L, ì—pŽt, Æ,», ì¼, ì”}ì, ðŽg—p, Å,«, Û, ·B

- f{f“fhŽt
- fRfs[]Žt
- ••“>
- HPfvfCEf~fAf€fCf“fNfWfFfbfg[]ê—pŽt
- HPfvfCEf~fAf€OHPftfBf<f€
- HPfvfCEf~fAf€CEò’òŽt

Note: ColorSmartf_fCfAf[]fOf{fbfNfX, Å³, μ, ç—pŽt, ìŽí—p, ð’ì’ð, μ, Å,, ¾, ¾, çB



ŠeŽí—pŽt, ì’ì’ð



ColorSmartf_fCfAf[]fOf{fbfNfX





-ÚŽŸ



HP DeskJetfvfŠf“fefBf“fOfVfXfef€



fvfŠf“f^,É,Â,ç,Ä

fvfŠf“fgfj[]lfgfŠfbfW,É,Â,ç,Ä



HP

DeskJet850CfvfŠf“f^,É,íACEđŠ·Žž^ÈŠO,íížž,Æ,è,Â,~,½,Ü,Ü,Åžg—
p,·,éf,fmfNf[],Æfj%[]l,lfvfŠf“fgfj[]lfgfŠfbfW,ª•t’®,µ,Ä,ç,Ü,·B

Å,î^óü•iŽ;đ^ÚŽ,·,é,½,ß,É,íŽŸ,ì,±,Æ,É’^Ó,µ,Ä,,¾,¾,çB

■ fvfŠf“f^,ì“dCE¹,đfift,É,µA“dCE¹fR[]fh,đ”²,-
‘O,ÉfvfŠf“fgfj[]lfgfŠfbfW,đfvfŠf“f^,ì%œE’x,É-ß,µ,Ä,,¾,¾,çB

■ fvfŠf“fgfj[]lfgfŠfbfW,í-š•Â—eŠí,É“ü,êAŽº
%œ·16ß`26ßC,Ä•ÚŠÇ,µ,Ä,,¾,¾,çB



fvfŠf“fgfj[]lfgfŠfbfW,ì
Zæ,è•t,~



fvfŠf“fgfj[]lfgfŠfbfW,ì
fNfS[]ljj“fO



fvfŠf“fgfj[]lfgfŠfbfW,ì
Z²[]±,í,¹

[-ÚŽŸ

HP DeskJetfvfŠf“f^fBf“fOfVfXfef€

fvfŠf“f^,É,À,ç,Ä

fvfŠf“f^,ìf{f^f“ ,Æf%of“fv



HP

DeskJet850CfvfŠf“f^,É,íA“dCE¹,â^óü,ðRf“fgf[]f<,;éfXfCfbf` ,Æfvf Šf“f^,ìó‘Ô,ð•Ž!,; ,éf%of“fv,ª, ,è,Û,·B



fvfŠf“f^,ìf{f^f“ ,Æf %of“fv,ìŠm”F



fCEfWf...[]f€ f%of“fv

fvfŠf“f^,É%½,ç,©,ì^‘u,ª•K—v,È,Æ,«”_—Å,µ,Û,·B

fCEfWf...[]f€ f{f^f“

ì^‘u,ª[]l,í,Ä,½,ç[]A,±,ìf{f^f“ ,ð%ÿ,µ,ÄfvfŠf“f^,ð^óü %Å“\ó‘Ô,É,µ,Û,·B



“dCE¹f%of“fv

“dCE¹,ªfif“ ,ì,Æ,«” “” ,µ,Û,·B,o,b,©,ç[]î•ñ,ðŽó[]M’t , ,é,ç ,í^óü’t,É”_—Å,µ,Û,·B

“dCE¹f{f^f“

,±,ìf{f^f“ ,ð%ÿ,; ,Æ“dCE¹,ªfif“ ,Û,½,íift,É,È,è,Û,·B



 -ÚŽŮ

 HP DeskJetvfŠf“f^fhf%ofCfo,É,Â,ç,Ä

fvfŠf“f^fhf%ofCfo,É,Â,ç,Ä



HP DeskJet850CvfŠf“f^•t’®,j\A
ftfgfEjFfA,íAfvfŠf“f^fhf%ofCfoAHP
DeskJetXfe[f^fXf,fjf^AfŠfŠ[fXfm[fg
A,“,æ,Ňfj“f%ofCf“fwfçfv,Å,·B



HP

DeskJetXfe[f^fXf,fjf^,É,Â,ç,Ä



HP ColorSmartvfŠf“f^fhf

%ofCfo



fŠfŠ[fXfm[fg



 -ÚŽŸ

 [HP DeskJetfvfŠf“fefBf“fOfVfXfef€](#)

 [fvfŠf“f^fhf%ofCfo,É,Â,ç,Ä](#)

HP DeskJetfXfe□[f^fXf,fjff^,É,Â,ç,Ä








HP

DeskJetfXfe□[f^fXf,fjff^,í«»□Ý,ì^ó□üff□[f^,ÆfvfŠf“f^,ìó'Ô,É,Â,ç,Ä,ì□í•ñ,ð'ñ<Ÿ,μ,Ü,·□B,Ü,½fvfŠf“fgfJ□[fgfŠfbfW,ìfNfŠ□[fjff“fO,âŽ²□±,í,¹□AfZf<ftfefXfg,È,Ç,à,¨,±,É,ì,Ü,·□B

HP DeskJetfXfe□[f^fXf,fjff^,ì^ó□ü,·,é•¶□',ð'—,Á,½,Æ,«□A, ,é,ç,ì^ó□ü,ìfGf%o□[,ª”□¶,μ^ó□ü,ð□ÄŠJ,·,é'O,É%o½,ç,©,ì□^'u,ª•K—v,È,Æ,«□AZ©“@“ì,ÉSj,©,è,Ü,·□B,Ü,½□AfXfe□[f^fXf,fjff^,ìfvf□fOf%of€f}f□[fWff,ìHP DeskJetf□[fefBfŠfefBfOf<□[fv,É, ,éHP DeskJetfXfe□[f^fXf,fjff^fAfCfRf“,ðf_fuf<fNfŠfbfN,·,é,±,Æ,É,æ,Á,Ä,àfAfNfZfX,Ä,«,Ü,·□B

HP DeskJetfXfe□[f^fXf,fjff^,É,æ,Á,Ä,Ä,¬,ì,±,Æ,ª,Ä,«,Ü,·□B

-  «»□Ý,ì^ó□üfWf±fu,ìf,fjff^
-  fvfŠf“f^,ìó'Ô,ìf,fjff^
-  fvfŠf“fgfJ□[fgfŠfbfW,ìfNfŠ□[fjff“fO
-  fvfŠf“fgfJ□[fgfŠfbfW,ìŽ²□±,í,¹
-  «»□Ý,ì^ó□üfWf±fu,ìfLfff“fZf<


Note: HP


DeskJetfXfe□[f^fXf,fjff^,ì□Aftf<ftfCfY,ìfEfCf“fhfE,Æ,μ,Ä, ,é,ç,ìfAfCfRf“,©,ç,ç,Ä,Ä,à•\Ž,³,è,Ü,·□BfAfCfRf“,ðftf<ftfCfY,ìfEfCf“fhfE,Ö□A, ,é,ç,ìfEfCf“fhfE,ðfAfCfRf“,É,·,é,±,Æ,ª,Ä,«,Ü,·□B



 [HP](#)

[DeskJetfXfe□\[f^fXf,fjff^fEfCf“fhfE](#)

 [fvfŠf“fgfJ□\[fgfŠfbfW,ìfNfŠ□\[fjff“fO](#)

 [fvfŠf“fgfJ□\[fgfŠfbfW,ìŽ²□±,í,¹](#)

 [-ÚŽŮ](#)

 [HP DeskJetvfšf“fefBf“fOfVfXfef€](#)

 [fvfšf“f^fhf%ofCfo,É,Â,č,Ā](#)

fšfš[]fXfm[]fjg



fšfš[]fXfm[]fjg,í[]Afvfšf“f^fhf
%ofCfo,ÉŠÖ,;é[]î•ň,“,æ,ŇŽü'm,ìfn[]fhhEjFfA,Æf\
ftfgfEjFfA,ì[]Ú'±[]«,ÉŠÖ,;é[]î•ň,ðŠÚ,ň,Ā,č,Ú,·[]B[]Ú,μ,ç[]î•ň,É,Ā,č
,Ā,í[]AHPWJREAD.TXT,ð,²—,„³/₄,³,ç[]B



[fšfš\[\]fXfm\[\]fjg.Ö\[\]s.](#)

[-ŮŽŸ

fEfCf"fhfEfY,Æf_fCfAf[]fOf{fbfNfX

ColorSmartf_fCfAf[]fOf{fbfNfX



^óü"Y'è,ì'ı'ð

,Ç,ì,æ,π

,É^óü,·,é,©,ðĈ^'è,·,é,½,ß,É[]A,±

,lf_fCfAf[]fOf{fbfNfX,ðŽg—p,μ,Û,·[]B

Ž©"®

f}fjf...fAf<

fOfĈE[]fXfP[]f<,Å^óü

flfvfVf#f"

fxfXfg

fm[]f}f<

fGfRfmftf@[]fXfg

—pŽt,ìŽí—p

—pŽtftfCfY

flfXf^f€

fXfe[]f^fXfo[]

[]c

%oi

^óü•"[]"

^óü[]#[]~

OKf{f^f"

fLfff"fZf<f{f^f"

ffftfHf<fg_f{f^f"

fwf<fv_f{f^f"



ColorSmartflfvfVf#f"f_fCfAf[]fOf{fbfNfX

Ž©"®,Æf}fjf...fAf<,ìColorSmartflfvfVf#f"



, ,ç,ä,é•¶□',É,¨,ç,Ä□A,¨,·,·,ß,ì□Ý'è,Å,·□B
,±,lf|fv|V|f|f",íColorSmart<Z□p,É,æ,è□AfQf%o|ftfB|bfNfX□A|efL|fXfg,Æ,à,É□Å—
Ç,ìfn□|ftfg□|f"□A-¾,é,³□A|ff%o□|□\$CEä,ðŽ © “ ®,Å'í'ð,µ,Ü,·□B



f}fjf...fAf<

,±,lfjfvfVf#f",íAfof%oftfBfbfNfX AfefLfxfg,Æ,à,ÉAÅ—Ç,ìfn[ftfg[f"A-¾,é.³Aflf
%oo[[]\$Eä,ðf}fjf...fAf<,Å'í'ð,Å,«,Ü,·B,±
,ê,ð'í'ð,·,é,ÆAflfvfVf#f"f{f^f",©,çfjfvfVf#f"fCfAfOf{fbfNfX,ðŠ},«Ý'è,ð•ïX,Å,«,Ü,·B



fOfCE[fXfP[f<,Å^óü

ffj%o[fCf[fW,ðfOfCE[fXfP[f<,Å^óü,·,é,É,í,±,ê,ð`fFbfN,μ,Ü,·BfOfCE[fXfP[f<,Å,ÍAfjf
%o[f,ðfOfCE[f,ì"Z'W,Å·\CE»,μ,Ü,·B



fxfXfg

fxfXfgf,[]fh,Å,Í[]A“h,è,Â,Ô,μ,ì[]Ùfof“fffBf“fO,à,È,[]Å[],,ì^ó[]ü•iŽ¿,ð“¾,é,±
,Æ,ª,Å,«,·[]B,μ,©,μ,È,ª,ç[]Afm[]f}f·f,[]fh,æ,è,à^ó[]üŽžŠÔ,ª,©,©,è,Ü,·[]B



fm[f]f<

'Êí•¶',É“K,μ,½^óü•iŽ¿,Å,•B,Ù,Æ,ñ,Ç,ìŽí—p,ì—pŽ†,Å•W€,ì^óü•iŽ¿,đ“¾,é,±
,Æ,ª,Å,«,Ü,•B



fGfRfmftf@[]fXfg

fhf%oofthg^óüüi%oo¼^óüüj,ì•ižì,Å,·□B,±,ìf,□[fh,Å,ífm□[f}f<f,□[fh,æ,è,í'¬,,©,Â,»,±,»,±,ì^óüü•ižì,ð"¾,ç,ê,Ü,·□B,Ü,½,±,ìf,□[fh,Å,í□AfCf"fN,ì□A"i—É,ðíCE,Å,«,Ü,·□B,±,ìf,□[fh,í□A•□'ÉŽ†,ð'l'ð,μ,½,Æ,«,ÉŽg—p,Å,«,Ü,·□B

Note: flf

%□[,ì•¶□',ð□Z□³,ì,½,β,É^óüü,·,é,É,í□AfGfRfmftf@[]fXfgf,□[fh,ÆfOfCE[]fXfP[]f<^óüü,ð'l'ð,μ,Å,,¾,¾,ç□B,±,ê,É,æ,è"ñí,É□,í'¬,É^óüü,·,é,±,Æ,ª,Å,«,Ü,·□B



c

• ¶', δc', É, μ, ½ó'Ô, Å^óü, μ, Ü, ·B



%oij

•¶□',ð%oij',É,μ,½□ó'Ô,Å^ó□ü,μ,Û,·□B

—pžt,iží—p

fvfšf“f^,ÉfZfbfg,³é,Ä,ç,é—pžt,iží—p,đ‘l’đ,μ,Ü,·□B

Note: , ,éží—p,i—pžt(Ü,½,i,»,i’¼,i”}’i),í□A,±,ifvfšf“f^,É“K,³È,ç,±,Æ,^a,è,Ü,·□

BColorSmartf_fCfAf□fOf{fbfNfX,Ä‘l’đ,Ä,«,é—pžt,iží—p,i,Ý,²žg—p,,³/₄,³,ç□B—pžt,iží—p,i□Ú□×,É,Ä,ç,Ä,í□Aft□[fU□[fYfKfCfh,đ,²—,,³/₄,³,ç□B

—pŽtTfCfY

fvfŠf“f^,ÉfZfbfg,³,ê,Ä,ç,é—

pŽt,Ü,^{1/2},í^{3/4},l“}í,lfTfCfY,ð‘l‘ð,μ,Ü,·□BColorSmartf_fCfAf□fOf{fbfNfX,Å‘l‘ð,Å,«,é—

pŽtTfCfY,ì,Ý,²Žg—p,,^{3/4},³,ç□B

ColorSmartf_fCfAf□fOf{fbfNfX,ÅfŠfXfg,³,ê,È,çfTfCfY,ì—pŽt,ðŽg,⊗□ê□‡,É,í□AŽ©—R,È—

pŽtTfCfY,ð‘è<^,Å,«,éjJfXf^f€f{f^f“,ð‘l‘ð,μ,Ä,,^{3/4},³,ç□B



^óü•"□"

^óü,μ,½,ϕ•"□",đ'¼□Ú"ü—Í,·,é,©,Ü,½,Í□A□ã%º,ì-î^ó,đ'l,ñ,Å^óü•"□",đ'l,ñ,Å,,¾,³,ϕ□B



^óü#~

,±,lf{fbfNfX,đf`fFfbfN,·,é,±,Æ,É,æ,è^óü#~ ,đ"½'î,É,Å,«,Ü,·iÅlfy[fW,đÅ%

,É^óüjB,±

,ê,É,æ,èA^óüEä,lfy[fW,ìŽá,ç#É•À,Ñ,Ü,·B^óü#~ ,đ"½'î,É,·,é,Æ^óü'~"x,í'½'x,-
,É,è,Ü,·B

ffftfHf<fgf{f^f“

ffftfHf<fgf{f^f“,đfNfŠfbfN,·,é,Æ□Af_fCfAf□Of{fbfNfX,ì,·,×,Ä,ì□Ý'è,đffftfHf<fg,ì□Ý'è,É-β,·,·,±
,Æ,^a,Ä,«,Ü,·□B

fifvfVf#“f{f^f”

ColorSmartf_fCfAf_fOf{fbfNfX,ÅfifvfVf#“f{f^f”,ð‘l’ð,·,é,Æ□A-¾,é,³,ì□Ý’è□Afn□[ftfg□[f“,ì•ù-
@□Afff%□[□\$EäfifvfVf#“,ð‘l’ð,Å,«,Ü,·□B

Note: ColorSmartf_fCfAf_fOf{fbfNfX,ÅŽ©“®,ð‘l’ð,·,é,Æ□AfifvfVf#“f{f^f”,í-
³Eø,É,È,è□ifOfE□[,É,È,é□j□AfvfŠf“f^fhf%□fCfo,ª□A-¾,é,³□Afn□[ftfg□[f“□Afff
%□[□\$Eä,ðŽ©“®,Å□Ý’è,μ,Ü,·□B

fjfx^f€f{f^f“

fjfx^f€f{f^f“,đfNfŠfbfN,·,é,Æ□Ajjfx^f€—pŽ+ftfCfyf_fCfAf□fOf{fbfNfx,Å”C^Ó,ì—
pŽ+ftfCfy,đ□Y’è,Å,«,Û,·□B

OKf{f^f“

OKf{f^f“,đfNfŠfbfN,·,é,Æ□A,±,±,Å•İ□X,μ,½ŠeŽí,ì□Ý'è,đ•Û'¶,μ□A,±,ìf_fCfAf□fOf{fbfNfX,đ□I—
¹,μ,Û,·□B

fLfff“fZf·f{f^f“

fLfff“fZf·f{f^f“,đNfŠfbfN,·,é,Æ□A,±,±,Å•İ□X,μ,½ŠeŽí,ì□Ý'è,đ"jŠü,μ□A,±
,İf_fCfAf□fOf{fbfNfX,đ□I—¹,μ,Ü,·□B

fwf{fvf{f^f“

fwf{fvf{f^f“,đNfŠfbfN,·,é,Æfwf{fvftf@fCf<,a—š,¿□ă,a,è,Ü,·□B

Color Kit

The optional color kit lets you print color with the HP DeskJet 600K printer. The color kit contains a color print cartridge and a print cartridge storage container.

fXfe[]f^fXfo[]

fXfe[]f^fXfo[][,Å,í[]Af_fCfAf[]Of{fbfNfX"à,ÅE»[]ÝfnfCf%ofCfg,³,ê,Ä,ç,élfvfVf#f",ìŠÈ'P,È[]à-
¾,ð'ñ<Ÿ,μ,Û,·[]B

 -ÚŽŸ

 fEfCf“fhfEfY,Æf_fCfAf□fOf{fbfNfX

ColorSmartflfvfVf†f“f_fCfAf□fOf{fbfNfX



ColorSmartflfvfVf†f“,ì‘l’ð

ColorSmartflfvfVf†f“f_fCfAf□fOf{fbfNfX,

ð•\

Ž|,³,¹,é,É,í□AColorSmartf_fCfAf□fOf{fbfNfX,Åf}fjf...

fAf<,ð‘l,Ñ□AŽŸ,ÉflfvfVf†f“f{f^f“,ðfNfŠfb

fN,µ,Û,·□BColorSmartflfvfVf†f“f_fCfAf□f

Of{fbfNfX,ðŽg,Á,ÅŠó-],·,éŠeŽí,ljf

%o□[□Y’è,ð□s,ç,Û,·□B

-³/4,é,³

fpf^□[f“

ŠgŽU

frfrfbfhflf%o□[f}fbf`fXfNfŠ□[f“


OKf{f^f“


fLfff“fZf<f{f^f“

ffftfHf<fqf{f^f“

fwf<fvf{f^f“

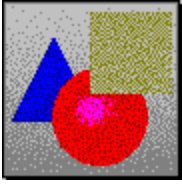


 ColorSmartf_fCfAf□fOf{fbfNfX

 Ž©“®,Æf}fjf...fAf<,ìColorSmartflfvfVf†f“

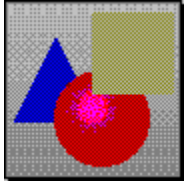
ŠgŽU

, Û, Æ, ñ, Ç, ì • ¶ □', É □ Å " K, ì □ Ý ' è, Å, · □ B, ±, ì □ Ý ' è, Å, Í □ A f C f " f N, ð f y □ [f W □ ã, É f % o f " f _ f € , É " z ' u, µ, Ü, · □ B



fpf^[]f"

,±,ìY'è,Å,í[]AfCf"fN,ðfy[]fW[]ã,ÉŠô%½Šw"l,É"z'u,μ,Û,·[]BŠÈ'P,ÈfOf
%oftfBfbfNfX,ðŠÛ,ñ,¾•¶[]',Å,í^óü'¬"x,ª'¬,,È,è,Û,·[]B





f}fbf`fXfNfŠ[f“

,±,lfjf

%o[[]\$CEä,Å,ÍA^óüCE<%oÊ,ðfffBfXfvfCEfC,ìF,Æ±,í,¹,Ü,·BfXfLffffifCf[]fW[]AŽÊ^[]A•;ŽG,Èf
Rf“fsf...[f^fOf%oftfBfbfNfX,È,Ç,ì,æ,ɣ,È•;ŽG,Èffj%o[fOf%oftfBfbfNfX^óü,Å,ÍA,±
,lfvfVf†f“,ð'ì'ð,μ,Ü,·B

Note: fOfCE[]fXfP[]f<^óü,Å,ÍA,±,ê,ç,lfjf%o[[]\$CEä,í-³CEø,Æ,È,è,Ü,·B

-¾,é,³

fCf“fN,ì•-□o—Ê,ð□SCEä,·,é,±,Æ,É,æ,è□A-¾,é,³,ð□Ý’è,μ,Û,·□Bf}}fEjX,ðŽg,Á,ÄfXf
%ofCf_□[□¶,É“®,©,·,Æ-¾,é,³,ifCf“fN—Ê□□j□AfXf%ofCf_□[,ð%oE,É“®,©,·,Æ”Z,-
^óü,Ä,«,Û,·□ifCf“fN—Ê’â□j□B



fn [ftfg [f“

, ±, ì ÷ è, í ÷ A f v f Š f “ f g f j ÷ [f g f Š f b f W, ©, ç, ì j f f % ÷ [f C f “ f N, ð, Ç, ì, æ, x, È • ù -
@, Å, g, Ý ÷ †, í, ÷, Å “ z’ u, ·, é, ©, ð ‘ ì ‘ ð, μ, Û, · ÷ B

Š g Ž U, í ÷ A f C f “ f N, ð f y ÷ [f W ÷ ä, É f % ÷ f “ f _ f € , É “ z’ u, μ, Û, · ÷ B • ; Ž G, È f O f
% ÷ f t f B f b f N f X ÷ A Ž É ÷ ^ f C f ÷ ÷ [f W ÷ A, “, æ, Ñ f X f l f f f “ , μ, ½ f C f ÷ ÷ [f W, É “ K, μ, Û, · ÷ B
f p f ^ ÷ [f “ , í ÷ A f C f “ f N, ð f y ÷ [f W ÷ ä, É Š ð % ÷ ½ S w “ ì, É “ z’ u, μ, Û, · ÷ B f j f % ÷ [f e f l f X f g ÷ A f r f W f l f X f O f
% ÷ f t f B f b f N f X, È, Ç Š È ‘ P, È f O f % ÷ f t f B f b f N f X, ð Š Û, ñ, ¾ • ¶ ÷ ‘, É “ K, μ, Û, · ÷ B

-3/4, é, 3

fCf“fN, ì•-□o—Ê, ð'²□®, μ, Ü, ·□B, æ, è-3/4, é, □A, æ, è"Z, □A, æ, è'N, â, ©, É, È, Ç, ì'²□®, ðfXf
%ofCf_ , ðŽg, Á, Ä, ", ±, È, x, ±, Æ, ð, Å, «, Ü, ·□B

fjf%o[]\$CEä

,±,±,Å,íAfrfrfbfhjff%o[],Æf}fbf`fXfNfŠ[]f“,ì“ñ,Â,ìjff%o[]\$CEä,ì•û-@,ª, ,è,Ü,·B

frfrfbfhjff%o[],Å,íA'N-¾,Å'N,â,©,È^óü,ðŽÀCE»,μ,Ü,·Bfrfrfbfhjff%o[],íA,W,Â,ìŠî-{ffj
%o[]i•A"OAÔA—íAÅAfvfAf"OA%©Af}f[f"f_j,ðfTf[]fg,·é'P[]f,È“h,è,Â,Ö,μ,íOf
%oftfBfbfNfX,É“K,μ,Ä,ç,Ü,·B

f}fbf`fXfNfŠ[]f“,íA^óüCE<%oÈ,ðffBfXfvfCEfC,ìF[]‡,ç,Æ^ê'v,³,¹,é,æ,‡
,É'²[]®,μ,Ü,·Bf}fbf`fXfNfŠ[]f“,Å,íAfxflfff“fCf[]fW[]AZÉ[]^AfRf“fsf...[]f^fOf
%oftfBfbfNfX,ì,æ,‡,É•;ŽG,ªfOf%oftfBfbfNfX,É“K,μ,Ä,ç,Ü,·B

Note: fOfCE[]fXfP[]f<,Å^óü,ð'ì'ð,·é,Æ[]Affj%o[]\$CEä,ìÝ'è,í-³CEø,Æ,È,è,Ü,·B

"}i

,±,lfvfšf“f^,Å,íAŠeŽí,i—pŽt,^aŽg—p,Å,«,Ü,·BŽg—p,Å,«,é—
pŽt,“,æ,Ň"}i,iúx,íAft[fU[fYfKfCfh,đ,²—,,^{3/4},³,čB

 -ÚŽŸ

 feCf“fhfEfy,Æf_fcFAf□fOf{fbfNfX

HP DeskJetXfe□[f^fXf,fjf^fEfCf“fhfE



HP

DeskJetXfe□[f^fXf,fjf^fEfBf“fhfE,íÆ»□Ÿ,í^
ó□üfWf‡fu,ÆfvfŠf“f^,í□ó’Ô,ÉŠÖ,.,é□î•ň,đ•\
Ž|,μ,Û,·□B,±
,lfXfe□[f^fXf,fjf^,í□AfvfŠf“fgf□[fgfŠfbfW,lf
NfS□[fjf“fO,âZ²□‡,í,¹,É,Ç,lfvfŠf“f^,ÉŠÖ,.,é□
<Æ,đ□s,α,Æ,«,É,àŽg,ç,Û,·□B

HP

DeskJetXfe□[f^fXf,fjf^,đ<N“®,. ,.é,É,í□AHP
DeskJetft□[fefBfŠfefBfvf□fOf
%of€fOf<□[fv,íHP
DeskJetXfe□[f^fXf,fjf^fAfCfRf“,đf_fuf<fNfŠf
bfN,μ,Û,·□B

fvfŠf“f^f□fjf...□[
flfvfVf‡f“f□fjf...□[
f□f“fefjf“fXf□fjf...□[
fefXfgf□fjf...□[
fwf<fvf□fjf...□[

fvfŠf“f^fXfe□[f^fXf{fbfNfX
fLfff“fZf<f{f^f“



 HP DeskJetXfe□[f^fXf,fjf^,É,Â,ç,Ä

fvfŠf“f^f□fjf...□[

fvfŠf“f^f□fjf...□[,í□APC,É□Ú'±,³,ê,Ä,ç,é,·,×,Ä,ìDeskJetfvfŠf“f^,ðfŠfXfg,μ,Ü,·□B

flfvfVf#f“f[]fj...[]

,±,lf|fvfVf#f“f[]fj...[][,Í[]AHP DeskJetfXfe[]f^fXf,fjf^,ì•\Ž![]ðCE[],ð[]Ý’è,μ,½,è[]ACEx[] %°¹,lf|f“f|ft,ð[]Ý’è,μ,½,è,Å,«,Ü,·[]B

í,É•\Ž! ,±,è,ðf`fffbfN,·,é,Æ[]AHP
DeskJetfXfe[]f^fXf,fjf^,ð[]í,É•\Ž!,μ,Ü,·[]B

^ó[]üŽž,ì,Ý•\Ž! ,±,è,ðf`fffbfN,·,é,Æ[]A^ó[]üŽž,ì,ÝHP
DeskJetfXfe[]f^fXf,fjf^,ð•\Ž!,μ,Ü,·[]B

%°¹[]°,É,æ,éCEx[] ,±,è,ðf`fffbfN,·,é,Æ[]A^ó[]üŽž,ÉfGf%°[][,“”-
[]¶,μ,½,Æ,«[]ACEx[]%°¹,ð”[]¶,μ,Ü,·[]B

f[]f“fefjf“fXf[]fj...[]

f[]f“fefjf“fXf[]fj...[][,É,Í^è%°°,ì<@“\,ª, ,è,Ü,·[]B

İBØYÄ¶°ÄØ~¼¶,ì,Ø°ÆY,¶ fvfŠf“fgfj[]f[]fgfŠfbfW,lfNfŠ[]fj“fO,ð,μ,Ü,·[]B^ó[]
ü•iŽ,ª°á
%°°,μ,½,è[]Afwf<fvf[]fbfZ[]fW,ÅfNfŠ[]fj“fO,ð,
·,·,ß,ç,è,½[]ê[]¶,ÉŽÄŽ{,μ,Å,,¾,¾,¾,ç[]B

İBØYÄ¶°ÄØ~¼¶,ìŽ²[]¶,í,¹ fjf
%°°[][,Æ[]•,lfvfŠf“fgfj[]f[]fgfŠfbfW,ìŽ²[]¶,í,¹,ð,μ,Ü,
·[]BfvfŠf“fgfj[]f[]fgfŠfbfW,ðCEðŠ·,Ü,½,ÍŽæ,è•t,~
μ’¼,μ,½[]ê[]¶A,Ü,½,lfwf<fvf[]fbfZ[]fW,ÅŽ²[]¶,í,
¹,ð,·,·,ß,ç,è,½[]ê[]¶,ÉŽÄŽ{,μ,Å,,¾,¾,¾,ç[]B

fefXfgf[]fj...[]

fefXfgf[]fj...[][,É,Í^è%°°,ì<@“\,ª, ,è,Ü,·[]B

fZf<ftfefXfg,ì^ó[]ü fZf<ftfefXfg,ð^ó[]ü,μ,Ü,·[]BfvfŠf“f^,ì”@[],ÆfP[]
[fuf<,ì[]Ü’±,ªSm”F,Å,«,Ü,·[]B

°Yì”_pU°¼@Y,ì•\Ž! fvfŠf“f^,lfRf“ftfbfOfCE[]fVf#f“[]î•ñ[]i[]Ý’è[]î•ñ[]
j,ð•\Ž!,μ,Ü,·[]B

fwf<fvf[]fj...[]

fwf<fvf[]fj...[][,É,Í^è%°°,ì[]€-Ú,ª, ,è,Ü,·[]B

-ÚŽY HP DeskJetfXfe[]f^fXf,fjf^,ìŽg,ç•ù,ð•\
Ž!,μ,Ü,·[]B

HP DeskJetfXfe[]f^fXf,fjf^,ìŽg,ç•ù HP
DeskJetfXfe[]f^fXf,fjf^,ì^è”È”ì,È[]î•ñ,É,Å,ç
,Å•\Ž!,μ,Ü,·[]B

HP DeskJet,É,Å,ç,Ä HP
DeskJetfXfe[]f^fXf,fjf^,lf[]o[]fWf#f“,” ,æ,Ñ’~
[]ìCE ,É,Å,ç,Ä•\Ž!,μ,Ü,·[]B

fvfŠf“f^ fXfe[]f^fXf{fbfNfX

,±,lf|f{fbfNfX,Å,Í[]ACE»[]Ý,lfvfŠf“f^,lfXfe[]f^fX,É,Å,ç,Ä•\Ž!,μ,Ü,·[]B

fLfff“fzf·f{f^f”

CE»Ÿ,í^óüfWfufu,đ'†Ž~,·,é,Æ,«,ÉŽg—p,μ,Û,·B

☐ -ÚŽŸ

☐ Ā“K,ĒfvfŠf“f^,ìŸ’è

^óü«”\,ìŸüã

☐

fvfŠf“f^,ì^óü’-“x,“,æ,Ñ’S’ì,ì^óüü«”\,í^È%º,ì-v’f,É,æ,è
%ºe<ç,ðŽó,Ÿ,Ü,·B

☐ PC,ìRAM,ì-e—É,É,æ,è•ŸŸ’,afvfŠf“f^,Ö’—
,ç,è,é’-“x,ðŸ^è,µ,Ü,·BPC,ìRAM,ì-e—É,ð’,à,·,Æ,±
,ì’-“x,ª’,·,Æ,Æ,à,É^óüü†,É’¼,ìŽdŽ-,ð,·,é,Æ,«,ÉPC,ª,æ,èŸø—
!“,É”@Ÿì,·,é,æ,æ,É,È,è,Ü,·B

☐ fvfŠf“f^fhf%ºfCfo,É,æ,è^óüü•iŽç,ª’ã,«,ŸŸ%ºE,³,è,Ü,·BŽg—
p,µ,Ä,ç,éfvfŠf“f^,É’í%ºž,µ,½fvfŠf“f^fhf%ºfCfo,ìĀŸV”Ā,ðŽg—
p,µ,Ä,ç,é,±,Æ,ðŠm”F,µ,Ä,-
,¾,³,çBWindows,ìfRf“fgŸŸ[f:fpflf<,ìfvfŠf“f^fAfCfRf” ,ðf_fuf<fNfŠfbfN,
µĀ’g,YŸž,Ü,è,½fvfŠf“f^,ìfŠXfg,©,çSY“-·,éfvfŠf“f^,ð’ì’ð,µ,Ü,·BŽg—
p,µ,Ä,ç,éfhf

%ºfCfo,ìfoŸŸfWfŸf“,ðŠm”F,·,é,É,ìĀŸŸ’è,ðfNfŠfbfN,µ,Ü,·BColorSmartf
_fCfAfŸŸOf{fbfNfX,ìf^fCfŸf<foŸŸ.ì’t,ÉfoŸŸfWfŸf“,ª•\Zì,³,è,Ü,·B

☐ •ŸŸ’,ì’ã,«,³,Æ•;ŽG,³,ì^óüü«”\,É%ºe<ç,µ,Ü,·BfOf
%ºftfBfbfNfX,ì•ŸŸ’,ìĀ’ÉŸŸífefLfXfg,¾,Ÿ,ì•ŸŸ’,æ,è^óüü,ª’x,,È,è,Ü,·B

☐ PC,ìŸ^—Ÿ’-“x,É,æ,èĀ•ŸŸ’,afvfŠf“f^,Ö’—
,ç,è,é’-“x,ªŸ^,Ü,è,Ü,·B—
á,ì,ìfyf“fefBfAf€fvfŸfZfbfT”<ŸŸ,ìPC,ì486fvfŸfZfbfT”<ŸŸ,ì,à,ì,æ,è’-“x,
ª’-,,È,è,Ü,·B

☐ “-Žž,É’½Ÿ”,ìŸ
ftfŸfEŸfA,ðŽĀŸs,·,é,Æ^óüüžžŠŸ,ª,©,©,è,Ü,·B,±
,è,ìfAfvfŠfPŸŸ[fvŸfŸ“,ªPC,ìRAM,ðĀ”ì,µ,Ä,ç,é,½,ß,Ā,·B^è“x,ÉŠJ,-
fAfvfŠfPŸŸ[fvŸfŸ“,ª•ŸŸ’,ìŸ”,ðŸŸŸŸ,µ,Ä,,¾,³,çB

☐ fXfNfŠŸŸŸ“ftfHf“fg,ìRAM,É•ŸŸ’,³,è,Ü,·B,±
,è,É,æ,èŸŸfŠ,ðĀ”ì,µ,Ä,ç,é,ì,ĀĀ, ,Ü,èŽg,í,È,çfXfNfŠŸŸŸ“ftfHf“fg,âfv
fŠf“f^ftfHf“fg,ìŸŸŸœ,µ,Ä,,¾,³,çB

☐

[-ÚŽŸ](#)

[Å“K,ÈfvfŠf“f^,ìY’è](#)

fvfŠf“f^fhf%ofCfo,ìfAfbfvff[]fg

fqf...[]fCfbfgfpfbj[]fh,íA•s’èŠú,È,^açfvfŠf“f^fhf
%ofCfo,ìfo[]fWf#f“fAfbfv,ðŽŽ{,μ,Ä,“ ,è,Ü,·B,±
,è,ç,ìfo[]fWf#f“fAfbfv,É,íA•s<ì[]#,ìC^{3,3/4,} ,Ä,È,[]A<@”\,ð’Ç
%oÄ,^{3,1,1/2,}à,ìAfpftfH[]f}f“fX,ðCEü[]ã,^{3,1,1/2,}à,ì,Æ,È,é,±,Æ,^a ,è,Ü,·[]
B[]Å[]VfvfŠf“f^fhf%ofCfo,ì“üŽè•û-@,íA-
{fvfŠf“f^,ìft[]fU[]fYfKfCfh,ð,²—,.,^{3/4,3,}ç[]B



 [-ÚŽŸ](#)

 [Å“K,ÈfvfŠf“f^,ìŸ’è](#)

fGfRfmftf@[]fXfgf,[]fh,ìŽg—p



fGfRfmftf@[]fXfgf,[]fh,ìfhf%oftfg•iŽž,ì^óü,ðs,ç,Ü,·B,±
,ìf,[]fh,Å,ìAfM[]f}f<f,[]fh,âfxfXfgf,[]fh,æ,è,à^óü’—“x,â’—,-
,È,è,Ü,·B,Ü,½,±,ìf,[]fh,ðŽg,æ,ÆfCf“fN,ìŽg—p—È,è,È,è,è,Ü,·B

fGfRfmftf@[]fXfgf,[]fh,ìA•’ÈŽž,ðŽg—p,·,é,Æ,«,ì,Ý—LCEø,Å,·B

Note: fJf%oo[],ì•¶[]’,Åfhf%oftfg^óü,ðs,æ
,Æ,«,ìAfGfRfmftf@[]fXfgf,[]fh,ð’l’ð,μA[]ufOfCE[]fXfP[]f<
,Å^óüv,ðf`fFbfN,μ,Å,,¾,¾,¾,ç[]BfJf
%oo[],ì,ä,í,è,ÉfOfCE[]fXfP[]f<,ðŽg,æ,Æfhf%oftfg,ì^óü,â’—,-
,È,è,Ü,·B



☐ -ÚŽŸ

☐ Å“K,Évfšf“f^,ìŸ’è

Ž © “ ® ,Æf}fjf...fAf<,ìColorSmartflfvfVf#f“

☐

ColorSmartf_fCfAf□fOf{fbfNfX,lf}fjf...fAf<flfvfVf#f“,ð'í'ð,·,é,±,Æ,É,æ,è□Afn□[ftfg□[f“□A-¾,é,¾□A,“,æ,Ñfjf %o□[□\$CEä,ìŸ’è,ª,Å,«,Ü,·□B

Ž © “ ®

,·,×,Å,ì•¶□',É'í,μ,“,·,·,β,·,éŸ’è,Å,·□B,±,lf}f}fVf#f“,íColorSmart<Z□p,É,æ,è□AfeLfxfg□AfOf %oftfBfbfNfX,Æ,à,É□Afn□[ftfg□[f“□A-¾,é,¾□A,“,æ,Ñfjf %o□[□\$CEä,ðŽ © “ ®“í,É□Å“K,ÉŸ’è,μ,Ü,·□B

☐

Ž © “ ®,ÅColorSmart,ðŸ’è,·,é□B

☐

ColorSmartf_fCfAf□fOf{fbfNfX,ÅŽ © “ ®,ð'í'ð,·,é□B

☐

ColorSmartf_fCfAf□fOf{fbfNfX

f}fjf...fAf<

,±,lf}f}fVf#f“,ð'í'ð,·,é,Æ□AfeLfxfg□AfOf %oftfBfbfNfX,Æ,à,É□Afn□[ftfg□[f“□A-¾,é,¾□A,“,æ,Ñfjf %o□[□\$CEä,ìŸ’è,ª}f}f...fAf<,Å,“,±,É,ì,Ü,·□B

☐

f}fjf...fAf<,ÅColorSmart,ìŸ’è,ð,“,±,É,ª□B

1 ColorSmartf_fCfAf□fOf{fbfNfX,Åf}fjf...fAf<,ð'í'ð,μ,Ü,·□B

2

flfvfVf#f“f{f^f“,ð'í,ñ,ÅColorSmartflfvfVf#f“f_fCfAf□fOf{fbfNfX,ð•Ž,¾,¾,Ü,·□B

3 Žg—p,·,éCf“fN,ì—Ê,ð²□β,·,é□ê□#□A-¾,é,,·,é,É,Í-¾,é,¾Ÿ’è,lfXf%ofCf_□[,ð¶¶,É(fCf“fN—Ê)□A“Z,□i^Å,□j,·,é,É,Í %oE,É(fCf“fN—Ê’å)“®,©,μ,Ü,·□B

4 fn□[ftfg□[f“,Å,í□Afpf^□[f“,·,é,ç,íŠgŽU,ð'í'ð,μ,Ü,·□B

5 fjf%o□[□\$CEä,Å,í□Afrfrfbfhfjf%o□[□A,·,é,ç,lf}fbf`fXfNfŠ□[f“,ð'í'ð,μ,Ü,·□B

☐

ColorSmartflfvfVf#f“f_fCfAf□fOf{fbfNfXf{fbfNfX

☐

-ÚŽŸ

ŠeŽí—pŽt,ì'í'ò

OHPftfBf<f€,ì^óü

OHPftfBf<f€,ì'Á•Ê,ÈŽæ,è^μ,ϕ,ª•K—

v,Ä,·□BColorSmartf_fCfAf□fOf{fbfNfX,Ä,ì□Ý'è,É,æ,è□A^óü•iŽ,ª•ì,í,è,Ü,·□B

OHPftfBf<f€,ì^óü

1 HPfvfCEf~fAfeOHPftfBf<f€,ìfUf%ofUf%o,μ,½-Ê,ð
%ooª,É□Afe□[fv,ì,é•ù,ð□æ,É,μ,ÄfgfCEfC,ÉfZfbfg,μ,Ü,·□B

HPfvfCEf~fAfeOHPftfBf<f€,ì□A,±,ìHP DeskJetfvfŠf“f^—p,ÉŠJ”-
,³,é,½,à,ì,Ä,·□B

2 ColorSmartf_fCfAf□fOf{fbfNfX,ðŠJ,ϕ,Ä^È%ooª,ì□Ý'è,ð□s,Ä,Ä,-
,¾,¾,ϕ□B

Ž©“®,ð'í'ð,μ,Ü,·□B

^óü•iŽ,ìfxfXfg,ð'í'ð,μ,Ü,·□B

^óü,ìCEü,«,É,Ä,ϕ,Ä□A□c,Ü,½,ì%ooi,ð'í'ð,μ,Ü,·□B

^óü•“□”,ðf^fCfv,·,é,©□ã%oo,ì-î^ó,ðfNfŠfbfN,μ,Ü,·□B

□Ä□lfy□[fW,©,ç^óü,·,é,É,ì^óü□#□~f^fFfbfNf{fbfNfX,ðf^fFfbfN,μ,Ü,·
□B^óü,ª□i,í,é,Æ□Ä□%oo,lfy□[fW,ª□æ“ª,É,È,è,Ü,·□B

—pŽt,ìŽí—pfvf<f_fEf“fŠfXfg,ÄOHPftfBf<f€,ð'í'ð,μ,Ü,·□B

—pŽtTfCfYfvf<f_fEf“fŠfXfg,ÄA4,Ü,½,ìfCEf^□[,ð'í'ð,μ,Ü,·□B

3 OKf{f^f“,ð'í'ð,μ,Ü,·□B

fvfŠf“f^,ìOHPftfBf<f€,ð□o—í,·,é-

^,ÉŽ©“®“ì,ÉŠ£‘žžššÓ,ð,Æ,è,Ü,·□B^óü,ð'±

,·,é,É,ìfvfŠf“f^,ì'O-Ê,ìfCEfwf...□[f€f{f^f“ □,ð%oÿ,μ,Ü,·□B

□Ä—Ç,ìfj%oo□[^óü,ì•iŽ,ð•Ü,Ä,É,ì□AftfBf<f€

,ð^óüCEã10□`15•ªSÖ,“,ϕ,Ä,©,ç•ÜCEì'Ü,É“ü,é,é,æ,π,É,μ,Ä,-

,¾,¾,ϕ□B□\•ªSE‘ž,¾,¾,é,ì%oo~,é,â‘b□F,ª“ð,·,ç,é,Ü,·□B

—pŽt,ìfZfbfg

ColorSmartf_fCfAf□fOf{fbfNfX

HPfvfCEf~fAfe□ê
—pŽt,ì^óü

-ÚŽŸ

ŠeŽí—pŽt,ì'í'ò

••“>,ì^óü



<<ŽtfgfCfC,É^è“x,ÉfZfbfg,Á,«„é••“>,í15-†,Ü,Á,Á,·□B,Ü,½□AZè□,μ—pŽtftfB□[f_,ðŽg,Á,Ä□i<<ŽtfgfCfC,©,ç—pŽt,ðŽæ,è□œ,©,É,ç,Ä□j••“>,ð1-†—,é,±,Æ,ª,Ä,«„Ü,·□B

Žè□,μ—pŽtftfB□[f_Žg—pŽž□A••“>,Æ—pŽt,ÉCEðCEÝ,É^óü,·,é,±,Æ,ª,Ä,«„Ü,·□B,±,ì<@“\,í•□ÉŽt,Æ••“>,ð'±,·,Ä^óü,·,é,Æ,«„É-ð,É—š,ì,Ü,·□B

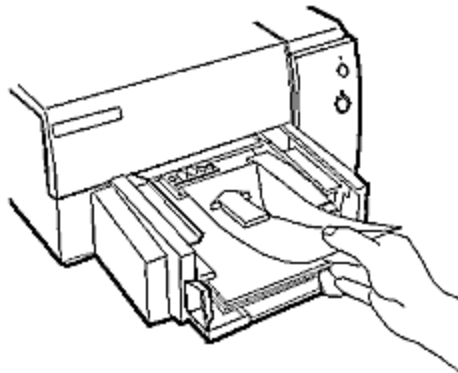
Note: □Ä—Ç,ì^óü•iŽì,ð“¾,é,Æ,Æ,à,É□Afy□[fpftfB□[fhf□□[f%ö,É••“>,ð<ì,Ü,ç,¹,É,ç,½,ß,É,í□Aft□[fU□[fyfKfCfh,É<L□Ú,³,ê,Ä,ç,é—pŽtCEú,ì••“>,ðŽg—p,μ,Ä,¾,¾,ç□B

Žè□,μ—pŽtftfB□[f_,ðŽg,Á,Ä••“>,ð^óü,·,é□B

- 1 Žè□,μ—pŽtftfB□[f_,ð□¶
%öE,É^Ú“®,³,¹□A••“>,ì•□,É□‡,í,¹,Ü,·□B
- 2 ••“>,ðŽè□,μ—pŽtftfB□[f_,ìfXf□fbfg,É□A^óü-É,ð%öE,É,μ,Ä“É,«“-½,é,Ü,Ä□,μ□ž,Ý,Ü,·□B

fjXf^fCfTfCfY—pŽt,ì^óü

—pŽt,ìfZfbfg

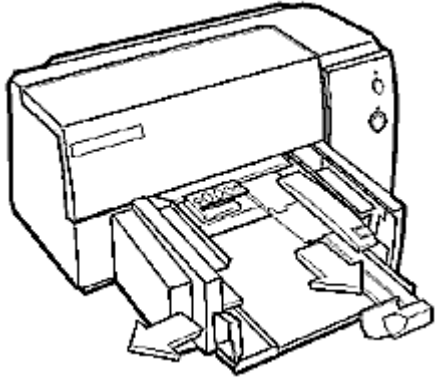


- 3 •K—v,É%öž,¶,ÄŽè□,μ—pŽtftfB□[f_,ð□Ä,Ñ^Ú“®,³,¹□A••“>,ì%öE'[,ª<<ŽtfgfCfC,ì%öE'x,É,»„è,x,æ,x,É'²□®,μ,Ü,·□B

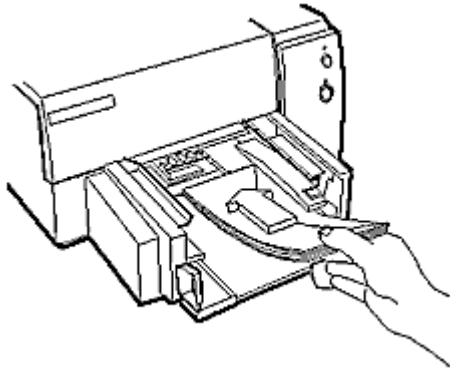
- 4 fvšš“f^fhf%öfCfo,ì^óü□Ý'è,ð□A••“>,ìŽí—p□AftfCfY□A^óü•ûCEü,É□‡,í,¹,Ü,·□BŽè□,μ—pŽtftfB□[f_,ð%öE,Ü,½,í□¶,É“®,©,μ,Ä□A••“>,ì•□,É□‡,í,¹,Ü,·□B

<<ŽtfgfCfC,ðŽg,Á,Ä••“>,ð^óü,·,é□B

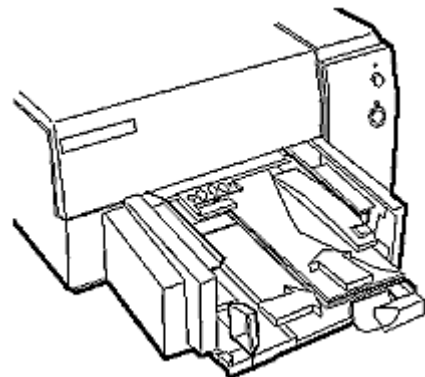
- 1 —pŽt•□²□®fCEfo□[,ð^Ú“®,³,¹□A^è”ÔŠO'x,Ü,Äšg,°,Ü,·□B



- 2 —pŽt', 3'2 @fCefo [, δ ^ ø , « o , μ A « Ž t f g f C e f C , © , ç , , x , Ä , l — p Ž t , δ Ž æ , è □ œ , « , Ü , · □ B
- 3 □ Å ' å 15 - † , Ü , Å , l • • " > , δ Ž æ , è □ o , μ □ A • • " > , l ' Z • Ó , δ • ½ , ç , È - Ê , l □ ä , É — š , Ä , Ä C y , , ½ , ½ , « □ A , æ , ' μ , l , Ü , · □ B
- 4 « Ž t f g f C e f C , É • • " > , δ ^ ¶ - ¼ , l - Ê , δ % ° E , μ , Ä □ i , Ó , ½ , l • " • a , δ □ ä , É , μ , Ä □ j , É ' u , « , Ü , · □ B



- 5 • • " > , l □ Ü , è - Ü , l , , é , Ó , ½ , l ' [, a « Ž t f g f C e f C , l % ° E ' α , É , » , è , Ä , Ä , ç , é , ± , Æ , δ š m " F , μ , Ü , · □ B
- 6 —pŽt' • ' 2 □ @fCefo [, δ □ A • • " > , l □ ¶ ' [, Æ ^ ê ' v , , , é , Ü , Å % ° E , Ó , , , ç , μ , · □ B



- 7 —pŽt', 3'2 @fCefo [, δ • • " > , l • û , Ö □ A Ž ~ , Ü , é , Ü , Å % ° Ÿ , μ □ ž , Ý , Ü , · □ B

••“>,ª<<ŽtfgfCEfC,ì't,Å”g,đ,α,Á,Ä,ç,È,ç,±,Æ,đŠm”F,μ,Û,·□B

- 8 ColorSmartf_fCfAf□fOf{fbfNfX,Å□A—pŽt,ìŽí—p,Æ—
pŽtTfCfY,đ□AfvfŠf“f^,ÉCE»□ÝfZfbfg,³,è,Ä,ç
,é••“>,ìfTfCfY,É□Ý'è,μ,Û,·□B



-ÚŽŸ

ŠeŽí—pŽt,ì'í'ò

fjXf^f€TfCfY—pŽt,ì^óü

fjXf^f€TfCfY—pŽt,ì^óü
p,μ,½,çfTfCfY,Æ±,í,È,çê±AColorSmartf_fCfAfOf{fbfNfX,©,çŽ
©—R,ÉfTfCfY,ð'è<,·,é,±,Æ,â,Ä,«,Ü,·B

—pŽt,ìfZfbfg

••>,ì^óü

HP DeskJet850CvfjXf^f€TfCfY,ì<ŽtfgfCfC,É,íA—pŽt',Æ—
pŽt,ðŠÈ'P,É'²@,Ä,«,éCfCfo[·,è,Ü,·B—
pŽt,ì1100mm²216mm²A—pŽt',ì148mm²356mm,ì'í'í,Ä,·B

Note: Ä—Ç,ì^óü•iŽ,ð³/4,é,Æ,Æ,à,ÉA<<Žtff%o,ìŽt<ì,Ü,è,ð-
h,@,½,ßAŽŸ,ìd,ì—pŽt,ðŽg—p,·,é,±,Æ,ð,,·,·,ß,μ,Ü,·B

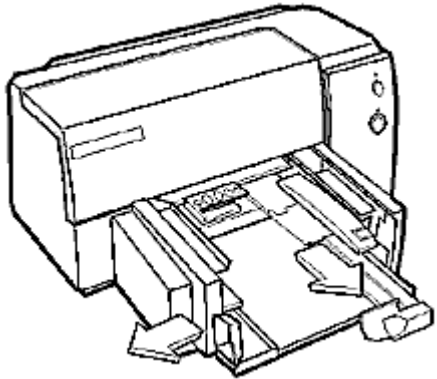
•'ÊŽtF60`135 g/•½•ûf[fgf<

••@>F75`90 g/•½•ûf[fgf<

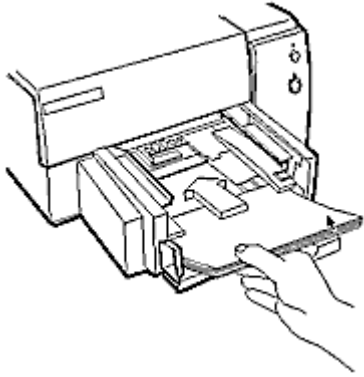
fj[fhF110`200 g/•½•ûf[fgf<

fjXf^f€TfCfY,ì—pŽt,ì^óü

- 1 ColorSmartf_fCfAfOf{fbfNfX,ÄfjXf^f€f{f^f",ð'í'ò,μ,Ü,·B
fjXf^f€—pŽtTfCfYf_fCfAfOf{fbfNfX,âC»è,Ü,·B
- 2 ±,μ,ç'P^Êif[fgf<^fCf"j,â'í'ò,è,Ä,ç,é,±
,Æ,ðŠm"F,μ,Ä,,³/4,³,çB
- 3 —pŽtTfCfY,ì%o,É,·,éA•,Æ',³,ìftfB[f<fh,ÉŽg—p,·,é—
pŽt,ì•,Æ',³,ð"ü—ì,μ,Ä,,³/4,³,çB
- 4 OK,ðfNfŠfbfN,μ,Ü,·B
- 5 —pŽt•fCfCfo[·,Æ—pŽt',³²@fCfCfo[·,ð,ç,Ä,ì,ç
,Ü,ÄŠg,°,Ü,·B



- 6 <<ŽtfgfCfC,ì%oE'x,É%o^,x,æ,x,É—
pŽt,ð19mm,ð',ì,È,ç,ì'í'í,ÄA^óü—È,ð%o,É,μ"È,«—
,½,é,Ü,Ä'}"ü,μ,Ü,·B



7 —pŽt,ì'[,É,«,¿,ñ,ÆftfBfbfg,·,é,æ,æ,É□A'·,³,¨,æ,Ñ•□,ì—
pŽt'²□@fCEfo□[,ð□Ý'è,μ,Û,·□B

8 ^óü,ì□€"ö,º□@,Á,½,ç□AfAvfšfP□[fvf#f",ìftf@fCf<f□fjf...
□[,ì^óüf_fCfAf□fOf{fbfNfX,©,ç□AZg—p,·,é—pŽt,ìŽí—
P□AfTfCfY□A^óü,ì□Eü,«,È,Ç,ð□Ý'è,μ,Û,·□B

—pŽtftfCfY,ì□Ú□×,É,Â,ç,Ä,Í□Aft□[fU□[fyf}fjf...fAf<,ðŽQ□Æ,μ,Ä,-
,¾,³,ç□B



-ÚŽŸ

ŠeŽí—pŽt,ì'ò

HPfvfCEf~fAf€□ê—pŽt,ì^ó□ü

•¶□,ì-Ú"l,Æ—v<□•iŽž,É,æ,è□A^ó□ü,ÉŽg—p,·,é—pŽt,ìŽí—
 p,æCE^,Ü,è,Ü,·□BColorSmartf_fCfAf□fOf{fbfNfX,Á'ì,ñ,¾—pŽt,ìŽí—
 p,æ□AfvfŠf" f^,ÉfZfbfg,μ,½—pŽt,É□±,Á,Ä,ç,é,±,Æ,ðŠm" F,μ,Ä,-
 ,¾,¾,ç□BfvfŠf" f^fhf%ofCfo,í'ò,μ,½"}'ì,ìŽí—
 p,É□±,í,¹,Äfy□[fW,É^ó□ü,·,éfcf" fN,ðfRf" fgf□□[f<,μ,Ü,·□BColorSmartf_f
 CfAf□fOf{fbfNfX,Á'ì,ò,μ,½—pŽt,ìŽí—
 p,Æ^Ü,É,é□è□±,É,í□A^ó□ü•iŽž,æ'á%o,μ,Ü,·□B

—pŽt,ìfZfbfg

—pŽt,ìŽí—p,ð'ì,ò,·,é□B

1 ColorSmartf_fCfAf□fOf{fbfNfX,ðŠj,ç,Ä□A—pŽt,ìŽí—
 p,ìfŠfXfgf{fbfNfX,Á%oCEü,«,ì-ì^ó,ðfNfŠfbfN,μžg—p%oÁ" \,É—
 pŽt,ìŽí—p,ð•\Žì,¾,¾,Ü,·□B

ColorSmartf_fCfAf□fOf{fbfNfX

, ,é,ç,í

TABfL□[,ð%oÿ,μ,Ä—pŽt,ìŽí—bfŠfXfgf{fbfNfX,ðfnfCf
 %ofCfg,¾,¹□AALT(GRPH)+%oCEü,«-î^ó,ð%oÿ,μ□A—pŽt,ìŽí—
 p,ð•\Žì,¾,¾,Ü,·□B

2 ^ó□ü,ÉŽg—p,·,é—pŽt,ìŽí—p,ðfNfŠfbfN,μ,Ü,·□B

, ,é,ç,í

-î^ófL□[,ð%oÿ,μ,ÄCE»□ÿ,ì^ó□üfWf†fu,É□±,æ—pŽt,ìŽí—p,ðfnfCf
 %ofCfg,¾,¾,Ü,·□B

•□'ÉŽt - f{f"fhŽt□Afrfs□[—pŽt□A,í,æ,«□A,¨,æ,Ñ••>

HP OHPftfBf·f€ - □ê—pOHPftfBf·f€,Ö,ìfj

%o□[,Ü,½,ìf, fmfNf□^ó□ü—p□B2-
 ‡^É□ä^ó□ü,·,é□è□±□AfvfŠf" f^,í,P-‡^ó□ü,·,é,²,Æ,Éfcf" fN,ðŠÉ
 ,©,¹,é,½,ß,É□"•æSÓ'Ó,ç,Ü,·□B

HP OHPftfBf·f€(f|□[fY□šCEä•t,«) -

Ž¼"x,æ□,,ç□è□±□AftfBf·f€□ä,ìfcf" fN,ìšÉ,«,í'x,-
 ,É,è,Ü,·□BfvfŠf" f^,í,P-
 ‡^ó□ü,·,é,²,Æ,É'âž~ ,μ,Ü,·□B^ó□ü,ð□Äšj,·,é'O,É"rŽtfgfCEfC,©,
 çftfBf·f€,ðžæ,è□o,μ,Ä,-
 ,¾,¾,ç□B^ó□ü,ð□Äšj,·,é,É,ìf_fCfAf□fOf{fbfNfX,ìOKf{f^f",ðfNf
 ŠfbfN,μ,Ä,,¾,¾,ç□B

HPCEö'òŽt - fjj%o□[,ì□o—í,É"K,μ,½□ê—pCEö'òŽt□B2-

‡^É□ä^ó□ü,·,é□è□±□AfvfŠf" f^,í,P-‡^ó□ü,·,é,²,Æ,Éfcf" fN,ðŠÉ
 ,©,¹,é,½,ß,É□"•æSÓ'Ó,ç,Ü,·□B

HPCEö'òŽt(f|□[fY□šCEä•t,«) -

Ž¼"x,æ□,,ç□è□±□ACEö'òŽt,ìfcf" fN,ìšÉ,«,í'x,-
 ,É,è,Ü,·□BfvfŠf" f^,í,P-
 ‡^ó□ü,·,é,²,Æ,É'âž~ ,μ,Ü,·□B^ó□üfWf†fu,ð□Äšj,·,é'O,ÉfvfŠf" f^
 ,ì"rŽtfgfCEfC,©,ç—pŽt,ðžæ,è□o,μ,Ä,-
 ,¾,¾,ç□B^ó□ü,ð□Äšj,·,é,É,ìf_fCfAf□fOf{fbfNfX,ìOKf{f^f",ðfNf
 ŠfbfN,μ,Ä,,¾,¾,ç□B

HPfvfCEf~fAfEfCf“fNfWfFfbfgê—pŽt -
□,•iŽžf,fmfNf□,Ů,½,lfjf%□[□o—í—p,Å,·□B



 [-ÚŽŸ](#)

 [ŠeŽí—pŽt,ì'í'ð](#)

fOfCE[fXfP[f<^óü



fjf%o[.ì•¶',lfhf%oftfg"Å,ðfOfCE[fXfP[f<,Å^óü,·,é,±
,Æ,É,æ,èŽžŠŌ,ÆfCf"fn,ìÅ"i,âCEyCE,Å,«,Ü,·BfOfCE[fXfP[f<,Å,ìfC
f[fW^—,Å,ìAfjf%o[.ì"Z"x,âfOfCE[.ì"Z'W,Å•\CE»,³,è,Ü,·B



fOfCE[fXfP[f<,Å•¶',ð^óü,·,éB



ColorSmartf_fCfAfOf{fbfNfX,ÅAufOfCE[fXfP[f<,Å^óüv,ìf`fFbf
Nf{fbfNfX,ð'í'ðif`fFbfNj,μ,Ü,·B



ColorSmartf_fCfAfOf
{fbfNfX

 [-ÚŽŸ](#)

 [ŠeŽí—pŽt,ì'ı'ð](#)

fjf%oo[] ^ ó [] ü



í•ň,đfrfWf...fAf<,É•\Œ»,:.é[]é[]#[]Afjf
%oo[][,í<—í,Éfc[][f<,&E,È,è,Û,:[]Bffj%oo[][,đŒø
%ooÉ"ı,ÉŽg—


p,:.é,î[]A^ó[]ü•",ÉfCf"fpfNfg,đ—
^,;[]ACE©,é[]ı,É<>—ı,đ^ø,«[]o,μ[]ACE©,½—
Ú,à—Ç,[]Afvf[]•À,Ý,ıŒø%ooÉ,đ—^,ı,é,±
,Æ,ª,Â,«,Û,:[]B



 ColorSmart<Z[]p,Æ,ı[]H

 ,ç,Â,Ç,±,Âffj%oo[][,đŽg,Ꝥ

 ,©

 fjf%oo[][,ı'ı,Ñ•û

 [-ÚŽŸ](#)

 [ŠeŽí—pŽt,ì'í'ð](#)

 [ffj%oo\[\]^óü](#)

ColorSmart<Z[]p,Æ,í[]H




HP,ìColorSmart<Z[]p,É,æ,è[],•iž,ìjff
%oo[][•¶[]',ašÈ'P,É^óü,Å,«,Ü,·[]BColorSmart,í•¶[]',ðž©“®,Å•a[]í,μ[]A
^óü,·,é,Æ,«,É[]Å[],,ì•iž,ž,“¾,ç,é,é,æ,æ,Éjff
%oo[][,ì[]Ý'è,ðž©“®“ì,É,“,±,È,ç,Ü,·[]B

ColorSmart<Z[]p,í[]A•¶[]',afRf“fsf...[]f^,©,çfvfšf“f^,Ö'—
,ç,é,é[]Üf[]f,š[]ä,ì•¶[]',ðfXfLfff“,μ,Ü,·[]B,»,ìCE<%oÉfy[]fW,ì,ç,ì•“•a,ª
[]AfefLjXfg,©[]Afjf%oo[][,ìCE©[]o,μ,©[]A'P[]f,ÈfOf
%oofBfbfNfX,©[]AfXfLfffi,É,æ,éžÈ^fCf[]fW,©[]A,È,ç,ðCE^,ß'í[]Ü,ì
Ž'í,È,ðCE^'è,μ,Ü,·[]BColorSmart,íŽŸ,É[]Afvfšf“f^,ìjff%oo[]f}fbfv,ìf
%oofCuf%ofš[][,ð'T,μ[]A,»,é,¾,é,ì'í[]Ü,É%ož,¶,½[]Å“K,Éjff
%oo[]f}fbfv,ð'ì,Ñ,Ü,·[]B

ffj
%oo[][•¶[]',ðfOfCE[]fXfP[]f<,Å^óü,·,é[]ê[]#[]AColorSmart<Z[]p,í[]Å“K,Èf
n[][ftfg[]f“,Æ-¾,é,¾,ðCE^,ß[]AfOfCE[][,ì“Z'W,Åjff%oo[][,ð•\CE»,μ,Ü,·[]B

 **ColorSmart,ìžg,ç•û[]B**

 ColorSmartf_fCfAf[]fOf{fbfNfX,Åž©“®,ð'í'ð,μ,Ü,·[]B

ColorSmart,í[]A•¶[]',É[]#,í,¹,Å[]Å“K,Éjff

%oo[][[]Ý'è,ðž©“®“ì,É,“,±,È,ç,Ü,·[]B

ColorSmartf_fCfAf[]fOf{fbfNfX,Å[]Af}fjf...fAf<flfvfVf#f“,ð'í'ð,·,é,ì[]A,ç
,Å,À,àColorSmart,ìž©“®[]Ý'è,a'tž~,·,é,±,Æ,ª,Å,«,Ü,·[]B




 [HP](#)

[ColorSmartfvfšf“f^fhf
%oofCfo](#)



[ColorSmartf_fCfAf\[\]fOf
{fbfNfX](#)

 [ž©“®,Æf}fjf...
fAf<,ìColorSmartflfvfVf
#f“](#)

☐ -ÚŽŸ

☐ ŠeŽí—pŽt,ì'í'ð

☐ fff%oo□[ˆóü

,ç,Â,Ç,±,Åffj%oo□[,ðŽg,α,©

☐

ffj%oo□[,ðŒø%oÉ“l,ÉŽg—p,·,è,Î□A□d—v,È□î•ñ,ðfnfCf
%oƒCƒg,^{3,1,1/2},è□A<'2,μ,1/2,è,·,é,±,Æ,³Ä,«,Û,·□Bffj%oo□[,ðŒè,Á,ÄŽg—
p,·,é,ÆŒ©,é□l,ì<C,ð,»ç,¹Ä,μ,Û,ç,Û,·□B,±,lfKƒCfhf
%oƒCƒ“ ,ðŽQ□Æ,ì,α,ì□Aˆóü•“ ,ðffj%oo□[,Ä<'2,μ,Ä,Ý,Ä,,^{3/4,3},ç□B

☐ fff%oo□[,í□à-^{3/4},ìŽè'i,Ä, ,è□A□ü,é,^{1/2},ß,ì,à,ì,Ä,í, ,è,Û,¹,ñ□B
^{1/2,3/4}ü,é,^{3/4},·,ì,1/2,ß,Éffj%oo□[,ð'1/2—p,·,é,Æ□A,» ,ìŒø
%oÉ,ðŽ,·,ç,©,È,Û,¹,ñ□B

☐ fff%oo□[,ì'í,Ñ•û

—á□F□'Ž@,ì•“•a,ð•\,·,ì,É□ü,âƒ{fbfNfX,ì'ä,í,è,Éffj
%oo□[,ì“wŒi,ðŽg,α,ÆŒø%oÉ“l,Ä,·□B

☐ Šú'Ò,ðŽì,·,fpf^□[ƒ“ ,Éffj%oo□[,ðŽg,ç,Û,·□B
^è“x“□[è,ì, ,é•\Œ»•û-@,ð,Æ,Ä,1/2,È,ç,ì,» ,è,ð'±,·,Ä,-
^{3/4,3},ç□B,à,μ,» ,è,©,çŠO,è,é,Æ,« ,ì□A,1/2,^{3/4}<'2,ì,1/2,ß,^{3/4},·,È—·,ß,Ä,-
^{3/4,3},ç□B

—á□F•\,ì't,Ä,í□-Œv,ð<'2,·,é,ì,É, ,éffj%oo□[,ðŽg,ç□A'□□#Œv,ð<-
'2,·,é,ì,É•É,ìffj%oo□[,ðŽg,α,ÆŒø%oÉ“l,Ä,·□B

☐ —pŽ—,ì□€-Û,âŠT“O,ðƒOf<□[fv%oo,μ,1/2,è□A'ŠŒÝ,ìŠÖŒW,ð•\
μ,1/2,è,·,é,ì,Éffj%oo□[,ðŽg,ç,Û,·□B
,à,μffj%oo□[,Æ,» ,ì^Ô-i,ÉŠÖ~A,Ä,·,1/2,ç,È,ç,Î□A□□“ ,ìffj
%oo□[,ð'□^Ó□[,ì,ñ,ÄŽg—p,μ,Ä,,^{3/4,3},ç□B
—á□F3□`4Žì,ìŽâ—

v,ÈfgfsfbfN,ðŠÛ,bfvfŒƒƒf“fe□[fvfƒƒ“ ,Ä,í□A□V,μ,çfgfsfbfN,Ö^Û,é,Æ,«
Œ©□o,μ,ìffj%oo□[,ð•ì,ì,é,ÆŒø%oÉ“l,Ä,·□B

☐ □•É%oo»,·,é,^{1/2},ß,Éffj%oo□[,ðŽg,ç,Û,·□B
^è,Ä,ìƒCƒ□□[ƒw,ì't,Ä^Û,È,é—v'f,ð<æ•É,·,é,É,ì•j□“ ,ìffj
%oo□[,ðŽg,ç□A,³,ç,ÉŒ©,â,·,³,ð
%oü'P,·,é,^{1/2},ß,É,ìƒCƒ□□[ƒw,ìƒƒCƒƒY,ð'â,«,,μ,Û,·□B
—á□F, ,é^è,Ä,ì-ƒOf%oft,ÉŠÛ,Û,è,é•j□“ ,ìffj
%oo□[ƒƒ□[ƒ^ ,ð□A'^{1/4},ì•j□“ ,ì-ƒOf%oft,ì□î•ñ,ÆŠÖ~A,Ä,·,é,±
,Æ,³,Ä,« ,Û,·□B,Û,1/2,ì%o~ƒOf%oft,ì, ,é•“•a,ð<-
'2,·,é□è□#□A,» ,ì•“•a,ì,Ý,É□F,ð•t,·,Û,·□B

☐ fff%oo□[,ð'1/2,Žg,ç,·,·,È,ç,æ,α,É,μ,Û,·□B
ffj%oo□[,ðŽg,ç,·,·,È,ç,æ,α,É,·,é,±
,Æ,É,æ,è□AŽg,Ä,1/2□è□# ,ìƒCƒ“ƒpfNfg,ð'â,«,,Ä,« ,Û,·□B
—á□F'n□},ì't,Ä'n□}S'ì,Éffj%oo□[,ðŽg,α
,æ,è,à□AŠÖ□S,ðŽ□,1/2,1'□^Ó,ð^ø,« ,Ä,·,1/2,ç•“•a,ì,Ý,Éffj
%oo□[,ðŽg,α•û,³,æ,èŒø%oÉ“l,Ä,·□B

☐

☐ -ÚŽŸ

☐ ŠeŽí—pŽt,ì'í'ð

☐ fJf%oo□[ˆóü

fJf%oo□[,ì'í'ð

☐

ˆóü,É“K□∅,ÈfJf%oo□[,ð'í,Ô,É,í□A fJf
%oo□[,ì'ŠCEYŠÓCEW,É,Á,ç,Ä,ÌŠî-{'mŽ˘,ª•K—v,Â,·□B□FŠÂ□i
%ooE□}ŽQ□Æ□j,í□F,ì'g,Ý□‡,í,¹,ð,‡,Û,,',±,È,‡,½,β,É-ð,É—
Š,¿,Û,·□B

☐

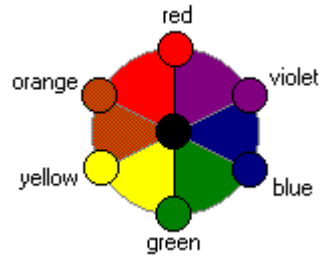
•¶□',ð“□ˆê,·,é,É,í□FŠÂ,©,ç,P,Â,ì□F'Š,ð'í,Ñ,Û,·□B f r f w f...
fA f<,ÈCE∅%ooÉ,ð“¾,é,É,í□A'í,ñ,¾□F,ì-¾^Ã,ð•í%oo»,³,¹,Û,·□B

☐ □FŠÂ,ìCEY,ç,É<β,ç,Q,A,ì□F'Š,ð'í,Ô,±
,Æ,É,æ,è□A□Â,Æ—í,È,Ç,ì,æ,‡,É'²~a,ð□¶,Ý□o,·,±
,Æ,ª,Â,«,Û,·□B

☐ fRf“fgf%ofXfg,ð□¶,Ý□o,·,½,β,É,í□A□FŠÂ,ÅCEY,ç,É—f
,è,½fJf%oo□[,ð'í,Ñ,Û,·□B—á,í,í□Ô,Æ%oo©□A—
í,ÆŽ‡,É,Ç,Â,·□B,³,ç,É“wCEi,É,í^Å□F□A'OCEi,É,í-¾□F,ðŽg—
p,μ,Û,·□B

☐ □Ô,Æ—í,ì,æ,‡,É□FŠÂ,Â'í□ì^ê'u,É, ,éfJf%oo□[,ðŽg,‡
,ì,í,,',·,β,μ,Û,¹,ñ□B,μ,©,μ,±,è,ç,ì^ê'g,ì•â□F,ì“Z“x,ð•í
%oo»,³,¹□ACE∅%ooÉ,ð□,,β,é,Æ,ç,‡•ú-@,à, ,è,Û,·□B

☐



□FŠ

fff%o□[□i□F□Ê□j,Ü,½,í□F□Ê,ìfOf%off□[fVf#f“,đ,³,μ,Û,·□Bfff%o□[,í□A□Ô□A—î□A□Â,È,Ç,ì□F‘Š,ì-
¼‘O,ĂĎĚ,Î,ê,Û,·□B

☑ **-ÚŽŸ**

☑ **—pŽt,ÆfvfŠf“fgfj□[fgfŠfbfW,ìŽg—p-@**

—pŽt,ìfZfbfg

☑

HP DeskJet850CfvfŠf“f^,í•□'ÉŽt,“,æ,Ñ,»,ì'¼,ì"}ì,É^óü,·,é,±,Æ,ª,Á,«,Ü,·□B

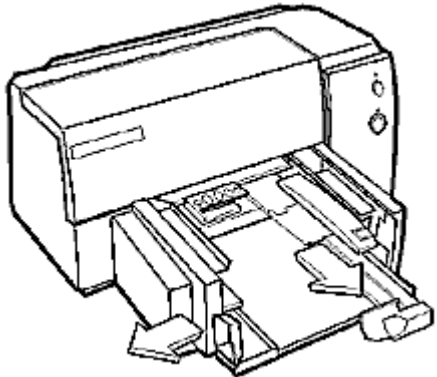
«ŽtfgfÆfC,É—pŽt,ð'Ç%oÁ,·,é,Æ,«,í□A«ŽtfgfÆfC,©,ç,·,x,Ä,ì—pŽt,ðŽæ,è□o,μ□A“Ží,ì—pŽt,ì□V,μ,ç'©,Æ^ê□□,É,μ,Ü,·□B—pŽt,ì'©,ð•½,ç,É-É,É-s,Á,Ä'©,ð,»,è,ì,Ü,·□B«ŽtfgfÆfC,É,í^è“x,É—pŽt□A,í,ª,«□AOHPftfBf<f€,É,ç19mmÉú,Ü,Á□A••“>,í15-†,Ü,ÁfZfbfg,·,é,±,Æ,ª,Á,«,Ü,·□B

,P-†,¾,~^óü,μ,½,ç□ê□†,É,í□A«ŽtfgfÆfC,©,ç,Ü,½,íŽè□,μ—pŽtftfB□[f_,©,ç^óü,·,é,±,Æ,ª,Á,«,Ü,·□B

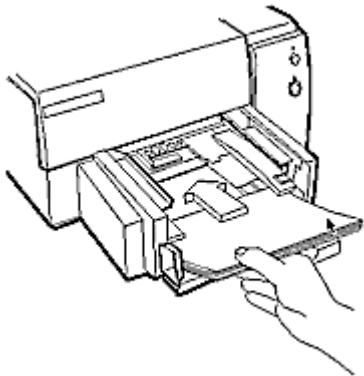
☑ **«ŽtfgfÆfC,É—pŽt,“,æ,Ñ,»,ì'¼,ì"}ì,ðfZfbfg,·,é□B**

1

Žt•□'²□@fÆfo□[,ð□¶'í,ÉŠň,¹□AZt'·,³'²□@fÆfo□[,ð^ø,«□o,μ,Ü,·□B



2 19mmÉú,Ü,Á,ì—pŽt,ì'©,ð^óü-É,ð%o,É,μ,Ä«ŽtfgfÆfC,É“É,«“-½,é,Ü,Á“ü,è,Ü,·□B



3 Žt'·,³'²□@fÆfo□[,ð%Ÿ,μ□ž,Ý,Ü,·□B,±,ì,Æ,«—pŽt,ª«ŽtfgfÆfC,ì†,Á,½,í,ñ,Á,ç,É,ç,±,Æ,ðŠm“F,μ,Ä,,¾,³,ç□B

☑ **fjxf^f€ftfCfy—**

pŽt,ì^óü

☑ **••“>,ì^óü**

☑ **HPfvfÆf~fAfe□é**

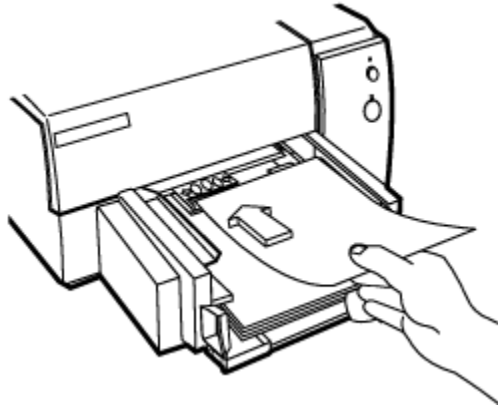
—pŽt,ì^óü

☑ **OHPftfBf<f€,ì^óü**



**Žè□,μ—pŽtftfB□[f_δŽg—p,μ,Ä—
pŽt,„æ,Ñ,»„l“¼,l”}’i,δfZfbfg,·,é□B**

- 1** fZfbfg,·,é—pŽt,ì•□,É□‡,í,¹,Ä□AŽè□,μ—pŽtftfB□[f_δ□¶
%°E,É^U“®„μ,Ü,·□B
- 2** Žè□,μ—pŽtftfB□[f_„lfXf□fbfg,É□A—pŽt,δ^ó□ü—É,δ
%°°E,μ,Ä“É,«“-,½,é,Ü,Ä□,μ□ž,Y,Ü,·□B



- 3** <<ŽtfgfCfC,ì%°E’α,É—pŽt,ì%°E’[,ª,»„ë,α,æ,α,É□AŽè□,μ—
pŽtftfB□[f_δ’²□ß,μ,Ü,·□B
- 4** fvřřf“f^fhf%°fCfo,Ä□A—pŽt,ìží—
p□AftfCfY□A•ûCEü,δ□Ý’è,μ,Ü,·□B



-ÚŽŸ

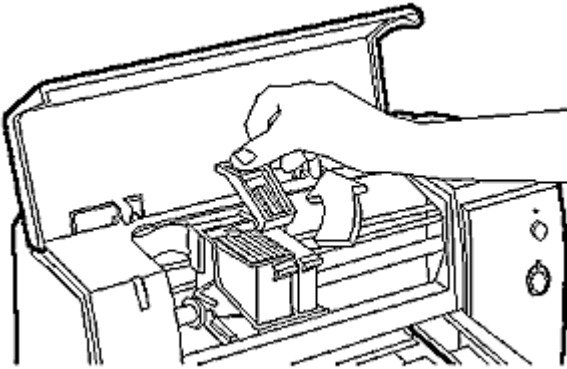
—pŽt,ÆfvfŠf“fgfj□[fgfŠfbfW,ìŽæ—p-@

fvfŠf“fgfj□[fgfŠfbfW,ìŽæ,è•t,~

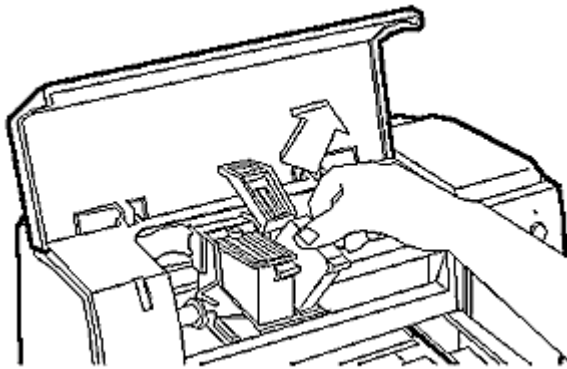
HP DeskJet850CfvfŠf“f^,É,í□•,Æfjf
%□□[,ìfvfŠf“fgfj□[fgfŠfbfW,à•t'® ,μ,Ä,ç,Ü,·□B,±,ê,ç,íÆðŠ,à,μ,-
,ìNfŠ□[fjf“fO,à•K—v,É,È,é,Ü,Å□íŽŽæ,è•t,~,½,Ü,Ü,É,μ,Ü,·□B

fvfŠf“fgfj□[fgfŠfbfW,ìŽæ,èŠO,μ

- 1 “dCE¹f{f^f” □ ,ð%Ÿ,μ,Ä“dCE¹,ðfj”,É,μ,Ü,·□B
“dCE¹f%of“fv □ ,à“ “”,μ,Ü,·□B
- 2 fvfŠf“f^,ìfgfbfvjfo□[,ðŠj,~,Ü,·□B
fvfŠf“fgfj□[fgfŠfbfWzf<f_,àfvfŠf“f^,ì'+%□,Ö^Ú” ®,μ□AfŠfWf...
□[f€f%of“fv □ ,à“ —Ä,μ,Ü,·□B
- 3 fvfŠf“fgfj□[fgfŠfbfW,ì—
~,ì<à,ð^ø,«□ä,°□AfvfŠf“fgfj□[fgfŠfbfW,ì“a•”,ð,Ä,©,ñ,Å□AZè'0
,É^ø,,ÆfvfŠf“fgfj□[fgfŠfbfW,à,ä,é,Y,Ü,·□B

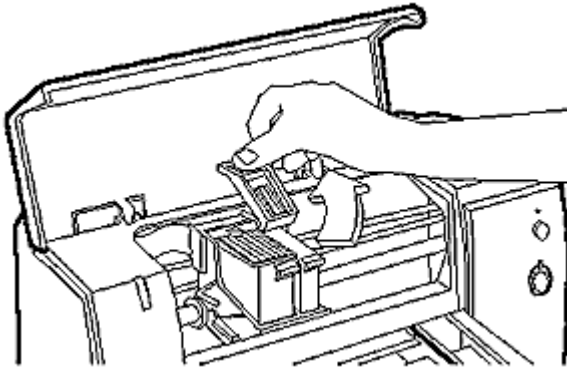


- 4 fvfŠf“fgfj□[fgfŠfbfW,ðzf<f_,©,çŽæ,è□o,μ,Ü,·□B



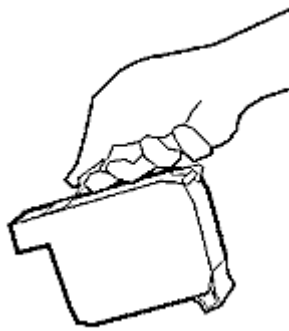
- 5 fvfŠf“fgfj□[fgfŠfbfW,à<ó,É,È,Ä,Ä,ç,½,ç”pŠü,μ,Ü,·□B
- fvfŠf“fgfj□[fgfŠfbfW,ìŽæ,è•t,~**
- 1 “dCE¹f{f^f” □ ,ð%Ÿ,μ,Ä□AfvfŠf“f^,ì“dCE¹,ðfj”,É,μ,Ü,·□B
“dCE¹f%of“fv □ ,à“ “”,μ,Ü,·□B
- 2 fvfŠf“f^,ìfgfbfvjfo□[,ðŠj,~,Ü,·□B

fvfŠf“fgfj[]fgfŠfbfWfzf<f_ ,afvfŠf“f^ ,ì‘+‰>,É^Ú“ @ ,μ[]AfŠfWf...
 [][f€f%of“fv ▣ ,a“ _-Å,μ,Û,·[]B
 3 fvfŠf“fgfj[]fgfŠfbfW—p— ,β<à,ð,Q,Â,Æ,àŠO,μ,Û,·[]B

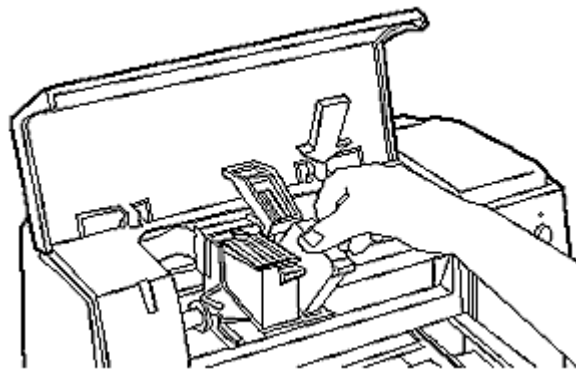


4 fvfŠf“fgfj[]fgfŠfbfW,ð•ì’•” ,©,çŽæ,è[]o,μ[]AfCf“fNfmfYf<,ð•ç
 ,A,Â,ç,éfe[][fv,ð[]A,©,É”[] ,a,μ,Û,·[]B

Note: fCf“fNfmfYf<,â<à’ @ ,ì[]Ú“ _ ,É,í[]G,ê,È,ç,Â,,¾,¾,ç[]B

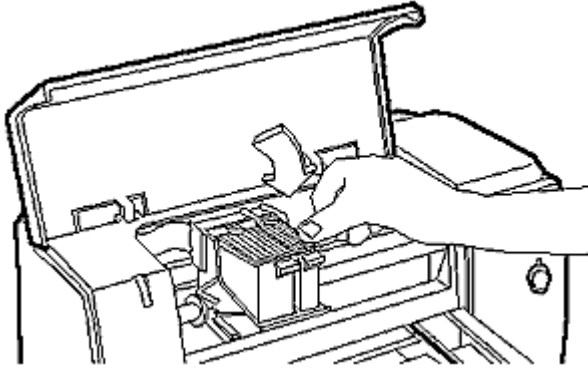



5 fvfŠf“fgfj[]fgfŠfbfW,ðfzf<f_ ,É‰ÿ,μ[]ž,Ý,Û,·[]B



6 fvfŠf“fgfj[]fgfŠfbfW,ì—
 ,β<à,ð, ,è,μ,Åfj[][fgfŠfbfW,ðCEÀ’è,μ,Û,·[]B


Note: fvfŠf“fgfj[]fgfŠfbfW,ì— ,β<à, a, Q, Â, Æ, àf[]fbfN, ¾, è, Ä, ç
 ,é, ±, Æ, ðSm”F, μ, Û, ·[]B



7 fvfŠf“f^,lfgfbfvfjfo□[.đ•Â,¶,Û,·□B
 fvfŠf“fgf□[fgfŠfbfWfzf<f_,^a□ufz□[f€□vf]fWfVf#f“,É-
 ß,è□A fŠfWf...□[f€f%of“fv ,^a□A,¡,Û,·□B

Note:

,Q,Â,lfvfŠf“fgf□[fgfŠfbfW,ì,Ç,¿,ç,©,^afCf“fN□Ø,è,É,È,Á,½□ê
 □#□A<ó,lfvfŠf“fgf□[fgfŠfbfW,đĀđŠ·,μ,Û,·□B□V,μ,ç fvfŠf“fgf
 J□[fgfŠfbfW,^a,É,ç
 ,Æ,«,í□A<ó,lfvfŠf“fgf□[fgfŠfbfW,đŽæ,è•t,~,½,Û,Û,É,μ,Ä,“,
 ç,Ä,,³/₄,³,ç□B,±,ê,¡,þ,«□o,μ,Æ,È,Á,Ä,ç,é“d<É,ì%~ ,ê,đ-
 hŽ~,·,é,½,ß,Â,·□B

 fvfŠf“fgf□[fgfŠfbfW,ì
 Ž²□#,í,¹



 -ÚŽŸ


 -pŽt,ÆfvfŠf“fgfj[]lfgfŠfbfW,ìŽ²[]‡,í,¹

fvfŠf“fgfj[]lfgfŠfbfW,ìŽ²[]‡,í,¹



,ç,.,è,©,lfvfŠf“fgfj[]lfgfŠfbfW,ðCEðŠ·,μ,½,è[]V,μ,-
fZfbfg,μ,½,è,μ,½,Æ,«,í[]AfvfŠf“fgfj[]lfgfŠfbfW,ìŽ²[]‡,í,¹,ª•K—
v,Â,·[]B,±,è,É,æ,è[]•,Æfjf%o[]l,lfCf“fN,ª[]AfeJfXfg,ì“~,¶f
%ofCf“,à[]A“~,¶fOf%oftfBfbfN“à,Â[]A~A±[]«,ð,à,Â,Â^è'v,·,é,æ,x
,É[]³,μ,^óü,³,è,Ü,·[]BfvfŠf“fgfj[]lfgfŠfbfW,ìŽ²[]‡,í,¹,É,æ,è[]Afjf
%o[]l,Æ[]•,lfCf“fN,ð[]¬,´,é,±,Æ,ª[]È,,È,è[]A[]•,Æfjf
%o[]l,lfCf“fN,Æ,ìŠÔ,lfXfy[]lfx,ð,ª[]¬,³,,Â,«,Ü,·[]B

 **fvfŠf“fgfj[]lfgfŠfbfW,ìŽ²[]‡,í,¹**

- 1 fvfŠf“f^,ì“dCE¹,ªfif“,Â,è[]A“dCE¹f%of“fv  ,ª“_“““,μ,Ä,ç,é,±,Æ,ðŠm“F,μ,Ä,,³/4,³,ç[]B
- 2 HP DeskJetf[]l[]f[]efBfŠf[]efBf[]vf[]fOf%of[]f[]Of<[]l[]fv,ìHP DeskJetfXfe[]l[]f^fXf,ffj^fAfCfRf“,ðf_fuf<fNfŠfbfN,μ,Ü,·[]B
- 3 f[]f“fefif“fXf[]fjf...
[]l,©,çfvfŠf“fgfj[]lfgfŠfbfW,ìŽ²[]‡,í,¹,ð'l'ð,μ,Ü,·[]B
fvfŠf“f^,í[]A,Q,Â,ìŽ²[]‡,í,¹,fpf^[]l[]f“,ð^óü,μ,Ü,·[]B
- 4 %oæ-Ê,ìŽwŽ!,É[]
,Â,ÄfvfŠf“fgfj[]lfgfŠfbfW,ìŽ²[]‡,í,¹,ìCE<%oÊ,ð“ü—í,μ,Ä,,³/4,³,ç[]B



-ÚŽŸ

-pŽt,ÆfvfŠf“fgfj[]fgrŠfbfW,ìŽg—p-@

fvfŠf“fgfj[]fgrŠfbfW,ìfNfŠ[]fjff“fO

^óü,µ,½fefLxf,âfOf%ftfBfbfNfX,ìü,âfhfbfg,ª”²,¯,Ä,ç
,½,çfvfŠf“fgfj[]fgrŠfbfW,ìfNfŠ[]fjff“fO,ð,“,±,È,Ä,Ä,-
,¾,¾,ç[]BfvfŠf“fgfj[]fgrŠfbfW,ìfNfŠ[]fjff“fO,ì[]AWindows,ìHP
DeskJetfXfe[]f^fXf,fjff^,Ü,½,ìfvfŠf“f^‘O-Ê,ìf{f^f“,ðŽg,Ä,Ä,“,±,È,æ,
,±,Æ,ª,Ä,«,Ü,·[]B

Note: fvfŠf“fgfj[]fgrŠfbfW,ìfNfŠ[]fjff“fO,ì[]A•K—v,È,Æ,«,ì,Ý,“,±
,È,Ä,Ä,,¾,¾,ç[]BfvfŠf“fgfj[]fgrŠfbfW,ìŽAZ{,ì[]AfCf“fN,ð[]A-
Ö,·,é,ì,ÀfvfŠf“fgfj[]fgrŠfbfW,ìŽö-½,ð[]k,ß,é,±
,Æ,È,È,è,Ü,·[]B

HP

**DeskJetfXfe[]f^fXf,fjff^,©,çfvfŠf“fgfj[]fgrŠfbfW,ðfNfŠ[]fjff“fO
,·,é,û-@[]B**

- 1 HP DeskJetf[]f^fXf,fjff^fAfCfRf“,ðf_fuf<fNfŠfbfN,µ,Ü,·[]B
HP DeskJetfXfe[]f^fXf,fjff^,ª•\Žì,¾,è,Ü,·[]B
- 2 f[]f“fefif“fXf[]fjff...
[]l,©,çfvfŠf“fgfj[]fgrŠfbfW,ìfNfŠ[]fjff“fO,ð‘ì,ð,µ,Ü,·[]B
- 3 •\Žì,¾,è,½f_fCfAf[]fOf{fbfNfX,Ä•\-
ÊfNfŠ[]fjff“fO,ðfNfŠfbfN,µ,Ü,·[]B
,Pfy[]fW,ì^óü,ª[]s,í,è[]AfNfŠ[]fjff“fO,ª[]³[]í,É[]s,í,è,½,±
,Æ,ðŽì,µ,Ü,·[]B%œ-Ê,ìŽwŽì,É[]],Ä,ÄfNfŠ[]fjff“fO,ð[]l-
¹,¾,¹,Ü,·[]B

HP

**DeskJetfXfe[]f^fXf,fjff^,
È,Ä,ç,Ä**

HP

**fvfŠf“f^,ìf{f^f“,ðŽg,Ä,ÀfvfŠf“fgfj[]fgrŠfbfW,ìfNfŠ[]fjff“fO,ð
,“,±,È,æ,û-@[]B**

- 1 fvfŠf“f^,ì“dCE¹,ªfif“,ì[]ó‘Ô,È,Ä[]A“dCE¹f{f^f“ ,ð%ÿ,µ‘±
,·,Ü,·[]B
- 2 “dCE¹f{f^f“ ,ð%ÿ,µ,È,ª,ç[]AfŠfWf...[]f€f{f^f“ ,ð,V%ñ
%ÿ,µ,Ü,·[]B
- 3 “dCE¹f{f^f“ ,ð•ú,µ,Ü,·[]B

HP

 [-ÚŽŸ](#)

 [^óü,É-â'è,à, ,é,Æ,«](#)

 «”\,ìŠm”F



^È%º,ìf“fefif“fX,ðŽÀŽ{,·,é,±
,Æ,É,æ,èAfvfŠf“f^,ìó’Ò,ðŠm”F,μ,½,èAfpfH[f]f“fX,ð
%ñ•œ,^{3,1,½},è,·,é,±,Æ,à,À,«,Ü,·B

fvfŠf“f^,ìfZf<ftfefXfg

□@fvfŠf“f^,ìfZf<ftfefXfg,ðs,çAfvfŠf“f^,à³,μ,<@”\,μ,Ä,ç,é,©,Ç,κ
,©AfP[fuf<,ìU’±,à³,μ,,Ä,«,Ä,ç,é,©,Ç,κ,©,ð`fFfbfN,μ,Ü,·B

fvfŠf“fgfJ[fgfŠfbfW,ìNfŠ[fjf“fO

□@^óü•iŽ,ì’á%º,à-U—
š,À,½,èAfwf<fvf[fbfZ[fW,ÀfNfŠ[fjf“fO,ìŽwŽ!,à, ,À,½,è,μ,½,Æ,«,í
□AfvfŠf“fgfJ[fgfŠfbfW,ìNfŠ[fjf“fO,ðŽÀŽ{,μ,Ä,,^{3/4,3},çB

fvfŠf“fgfJ[fgfŠfbfW,ìŽ²[†,í,¹

□@,ç
,,è,©,ìfvfŠf“fgfJ[fgfŠfbfW,ðEðŠ·,μ,½,èAfZfbfg,μ^{1/4},μ,½,è,μ,½,
Æ,«□A, ,é,ç,ìfwf<fvf[fbfZ[fW,ÀŽ²[†,í,¹,ìŽwŽ!,à, ,À,½,Æ,«,íAfvfŠf“
fgfJ[fgfŠfbfW,ìŽ²[†,í,¹,ð,“,±,É,À,Ä,,^{3/4,3},çB



-ÚŽŸ

^óü,É-â'è,à, ,é,Æ,«

fvfŠf“f^,ìf{f^f“,Æf%of“fv,ìŠm”F



fvfŠf“f^,ìf{f^f“,Æf
 %of“fv,ìfvfŠf“f^,ÉŠÖ,·,éí·ñ,ð“` ,ì,Ü,·BfvfŠf“f^,â^óü,Â,«,éíó’Ô,É,
 È,é,Æ“dCE¹f%of“fv ,â“ “”,µfŠfWf...[f€f%of“fv
 ,íÁ,ì,Ü,·B,o,b,âff[f^,ðfvfŠf“f^,Ö’—,Á,Ä,ç
 ,é,Æ,«A,“ ,æ,ÑfvfŠf“f^,â^óü,µ,Ä,ç,é,Æ,«A“dCE¹f%of“fv ,â“ _
 Å,µAfŠfWf...[f€f%of“fv ,íÁ,ì,Ä,ç,Ü,·BfvfŠf“f^,â
 %o½,ç,©,ì€ì,ð·K—v,Æ,µ,Ä,ç,é,Æ,«A, ,é,ç,ìfvfŠf“f^,ÉfGf%o[,â”-
 ¶,µ,½,Æ,«,íAfŠfWf...[f€f%of“fv ,â“ _Å,·,é,©—¼·ù,ìf
 %of“fv,âCEðCEŸ,É” _-Å,µ,Ü,·B
 —pŽt,âfvfŠf“f^,ÉfZfbfg,³,è,Ä,ç
 ,Ä,âfvfŠf“f^,â^óü,µ,É,çèè,íAfvfŠf“f^,ì“dCE¹f%of“fv
 ,ÆfŠfWf...[f€f%of“fv ,ìó’Ô,ðCE©,Ä,,¾,¾,çB,à,µ“dCE¹f%of“fv
 ,âÁ,ì,Ä,ç,é,È,ç,îA“dCE¹fXfCfbf` ,ð%Ÿ,µ,ÄfvfŠf“f^,ðfif“,É,µ,Ä,-
 ,¾,¾,çB
 ,»,è,Ä,â^óü,Â,«,É, ,è,îAfvfŠf“f^,ìft[fU[fYf}fjf...fAf<,ìgf
 %ofuf<fvf...[fg,ì€,ð,“Ç,Y,,¾,¾,çB,ç,è,ç,è,ÉfGf
 %o[,ìó’Ô,â<Lq,³,è,Ä,ç,Ü,·B



fvfŠf“f^,ìf{f^f“,Æf
%of“fv



 [-ÚŽŸ](#)

 [^óü,É-â'è,à, ,é,Æ,«](#)

HP, òTf| [fg, ð^{3/4}, é, É, Í



,à,µfvfŠf“f^,ðŽg,Á,Ä,ç,é,Æ,«,É-â'è,à<N,±
,Á,½,É,ç,Í AfvfŠf“f^,òT [fU [fYf} fJf...
fAf<,lfgf%ofuf<fVf... [fg, l€ ,ð,²—, -
,^{3/4},³,ç B,»,ê,Á,à-â'è,à
%òðCE^,Á,«,É,çê#AHP,Í“d~bTf|
 [fg,ð,Í,ŋ,ß,Æ,µ,Ä AŠeŽÍ,òTf|
 [fgfT [frfX,ð'ň<Ÿ,µ,Ä,“,è,Ü,· B
fT [frfX,ì“à—e,É,Á,ç
,Á,lfvfŠf“f^,òT [fU [fYf} fJf...fAf<,ð,²—, -
,^{3/4},³,ç B



fvfŠf“f^—pŽt□Ø,ê

fvfŠf“f^,ì—pŽt,^a,È,,È,è,Ü,μ,½□B—pŽt,ì<ÿ<<•û-@,í□AfvfŠf“f^,ìfgfbfvjffo□[,ì“à‘α,ìf%ofxf<,ð,²—
,È,È,Á,Ä,ç,½,¾,,©,Ü,½,í□AfvfŠf“f^•t’®,ìft□[fU□[fyfKfCfh,ð,²—,,¾,³,ç□B

—pŽt,ðfvfŠf“f^,ÉfZfbfg,μ,½,ç□AfvfŠf“f^,ìfÇfWf...□[f€f{f^f“,ð%oÿ,μ,Ä,,¾,³,ç□B^óü,ð’±,¯,é,±
,Æ,^a,Å,«,Ü,·□B

Žt<l,Ü,è

fvfŠf“f^,ì—pŽt<l,Ü,è,ª”□¶,μ,Ü,μ,½□B^È%º,ìŽè□‡,É,μ,½,ª,Á,Ä<l,Ü,Á,½—pŽt,ðŽæ,è□œ,‡,Ä,-
,¾,³,‡□B

1. fgfbfvfjfo□[,ðŠ],¯,Ü,·□B
2. fvfŠf“f^,ìfœfwf...□[f€f{f^f“,ð%ÿ,μ,½,Ü,Ü,É,μ,Ü,·□B—pŽt,ª^è•ùœü,É‘—,‡,è,Ü,·□B
3. fvfŠf“f^,ìfœfwf...□[f€f{f^f“,ð•ú,μ,Ä,©,‡□Ä,Ñ□A“¯f{f^f“,ð%ÿ,μ,½,Ü,Ü,É,μ,Ü,·□B—
pŽt,ª□æ,Ü,‡,Æ,í”½’í•ùœü,É‘—,‡,è,Ü,·□B—
pŽt,ªŽæ,è□œ,¯,é,Ü,Á^È□ä,ì‘€□ì,ðœJ,è•Ô,μ,Ü,·□B
4. •K—v,É%ž,¶,ÄfgfœfC,ðŽæ,èŠO,μ,Ü,·□B^ø,Á,©,©,Á,Ä,‡,é—pŽt,ðŽæ,è□œ,«□A—
pŽt,ð,»„è,¡,Á,©,‡□Ä,ÑfvfŠf“f^,ÉfZfbfg,μ,Ü,·□B
5. fgfbfvfjfo□[,ð•Ä,¶,Ü,·□B
6. fvfŠf“f^,ì“dœ¹,ð^è’Uflft,É,μ,Ä□Ä,Ñflf“,É,μ,Ü,·□B

fvfŠf“f^f|[]fg,ì•s<i[]‡

fvfŠf“f^f|[]fg,ìfAfNfZfX,É-â‘è,à, ,è,Ü,·[]B%øðCE^,ì,½,ß%ø<L,ì,±,Æ,ðŽŽ,μ,Ä,,¾,¾,ç[]B

- ‘¾,ìfAfvfŠfP[]fVf‡f“,à“^è,ìfvfŠf“f^f|[]fg,ðfAfNfZfX,μ,Ä,ç,é,©,à,μ,é,Ü,¹,ñ[]B**Lfff“fZf<**,ðfNfŠfbfN,μA¹¾,ìfAfvfŠfP[]fVf‡f“,©,ç,ì^óü,àŠ®—¹,·,é,ì,ð’Ò,ç,Ü,·[]B
- ,à,μfe[]fVfjfbfNfAfbfvftfjfbfg,ì,æ,æ,È¹¾,ìfffofCfX,ð“^è,ìf|[]fg,É[]Ú’±,μ,Ä,ç,é[]ê[]#[]A,±,ìfffofCfX,àf|[]fg,ðŽg—p,μ,Ä,ç,é,©,à,μ,é,Ü,¹,ñ[]B**Lfff“fZf<**,ðfNfŠfbfN,μA¹¾,ìfffofCfX,ìf|[]fgŽg—pŠ®—¹,ð’Ò,ç,Ü,·[]B
- CE»[]ÝfvfŠf“f^,ð[]Ú’±,μ,Ä,ç,éf|[]fg,ì[]AWindows,ìfRf“fgf[]f<fpf|f<,Å’ì’ð,¾,è,½,à,ì,Å, ,é,©,Ç,æ,©,ðŠm”F,μ,Ä,,¾,¾,ç[]B
- CE»[]ÝŠJ,ç,Ä,ç,é,·,×,Ä,ìfAfvfŠfP[]fVf‡f“,ð[]!—¹,μWindows,ðfŠfXf^[]fg,μ,Ü,·[]B
- PC,ì“dCE¹,ð,ç,Á,½,ñf|ft,É,μ,Ä[]A[]Ä,Ñf|f“,É,μ,Ü,·[]B

,à,μ[]ã<L,ìŽè[]‡,ð,“,±,È,Á,Ä,à-â‘è,à%øðCE^,μ,È,ç[]ê[]‡,É,ì[]ACEì[]á,ì%øÄ“\[]«,à, ,è,Ü,·[]B[]C—[],ì•ù-@,É,Ä,ç,Ä,ì[]Aft[]fU[]fYfKfCfh,ð,²—,¾,¾,ç[]B

'o•ûĈü'ÊMáŠQ

,o,b,íAfvfŠf“f^,Æ,ìŠŌ,Ā'o•ûĈü'ÊM,đŠm—
š,Ā,«,Û,¹,ñBfvfŠf“f^,í,o,b,Æ,ìŠŌ,Ā'o•ûĈü'ÊM,É,æ,èŠeŽí,ìî•ñĈđŠ,đ,μ,Û,·B
%o²<L,ìó<μ,², ,é,©,Ç,π,©,đŠm”F,μ,Ā,,¾,³,çB

- fvfŠf“f^,ì“dĈ¹,²fift,Ā, ,éB.
fvfŠf“f^,ì“dĈ¹,đ“ü,ê,Ā,,¾,³,çB
- fR“fgf□□lf<fpflf<,lfvfŠf“f^,ìŸ'èf_fCfAf□fOf{fbfNfX,É, ,é□,‘¬,É^óü,²f`fFbfN,³,ê,Ā,ç,È,çB
,±,ê,đ%đĈ^, ,é,½,ß,É,íA,Ā,¬,ì,æ,π,É,μ,Û,·B
 1. Windows,ìfRf“fgf□□lf<fpflf<fAfCfRf“,đf_fuf<fNfŠfbfN,μ,Û,·B
 2. fvfŠf“f^fAfCfRf“,đf_fuf<fNfŠfbfN,μ,Û,·B
 3. fvfŠf“f^,ìŸ'èf_fCfAf□fOf{fbfNfX,É, ,é□Ű'±f{f^f“,đfNfŠfbfN,μ,Û,·B
 4. □,‘¬,É^óü,đf`fFbfN,μ,Û,·B

• fvfŠf“f^fP□[fuf<,ÉáŠQ,², ,é,©,à,μ,ê,Û,¹,ñB
¾,ìfP□[fuf<,ÉĈđŠ,μ,Ā,Ÿ,Ā,,¾,³,çB

• ,à,μ•j“,ìfvfŠf“f^,đŽg—p, ,é,½,ßfXfCfbf`f{fbfNfX□i□Ø'ÖŠí□,đŽg—p,μ,Ā,ç,ê,íA,»,ìfXfCfbf`f{fbfNfX,íA'o•ûĈü'ÊM,đfTf□[fg,μ,Ā,ç,É,ç,©□A,Û,½,ì¾,ìfffofCfX,²fXfe□[f^fXf%ofCf“,đŽg—p,μ,Ā,ç,é,©,à,μ,ê,Û,¹,ñB
,±,ìé□±,ìfvfŠf“f^,đ,o,b,É¾□Ú□Ű'±,μ,Ā,Ÿ,Ā,,¾,³,çB
,à,μfXfCfbf`f{fbfNfX,đŽg—p,μ,È,¬,ê,î,ç,¬,ì,ç□é□±,É,íA:WINDOWS\SYSTEM
fffBfĈfNfgfŠ,É, ,é HPWJCFG.EXE fvf□fOf%of€,đŽĀ□s,μ,Ā,-
,¾,³,çB'o•ûĈü'ÊMf`fFbfNf{fbfNfX,ìf`fFbfN,đ,í,,μ□AOK,đfNfŠfbfN,μ,Û,·B,±
,ê,É,æ,è,o,b,ÆfvfŠf“f^,Æ,ì'o•ûĈü'ÊM,ì<@“\,μ,Û,¹,ñB,±,ìé□±fvfŠf“f^,ì^ê•”,ì<@“\
,ì“@□ì,μ,Û,¹,ñ,²A^óü,í,Ā,«,Û,·B

• ,Žg,ç,ì,o,b,²'o•ûĈü'ÊM,đfTf□[fg,μ,Ā,ç,É,ç,©,à,μ,ê,Û,¹,ñB
C:\WINDOWS\SYSTEM fffBfĈfNfgfŠ,É, ,é **HPWJCFG.EXE** fvf□fOf%of€,đŽĀ□s,μ,Ā,-
,¾,³,çB'o•ûĈü'ÊMf`fFbfNf{fbfNfX,ìf`fFbfN,đ,í,,μ□AOK,đfNfŠfbfN,μ,Û,·B,±
,ê,É,æ,è,o,b,ÆfvfŠf“f^,Æ,ì'o•ûĈü'ÊM,ì<@“\,μ,Û,¹,ñB,±,ìé□±fvfŠf“f^,ì^ê•”,ì<@“\
,ì“@□ì,μ,Û,¹,ñ,²A^óü,í,Ā,«,Û,·B

fvfŠf“f^ -3%ož“š

fvfŠf“f^ , © , ç , ì % ž “ š , à , è , Û , 1 , ñ □ B ^ È % o , Ì Ž è □ † , đ Ž Ž , μ , Ä , , 3/4 , 3 , □ □ B

- fvfŠf“f^ , ì “ d C E 1 , à “ ü , Á , Ä , ç , é , ± , Æ , đ Š m “ F , μ , Ä , , 3/4 , 3 , □ □ B
- , à , μ fvfŠf“f^ , ð f l f t f % o f C f “ , Á , , é , È , ç □ A fvfŠf“f^ , ì “ d C E 1 f { f ^ f “ , đ % o Ÿ , μ , Ä f l f “ f % o f C f “ , É , μ , Ä , - , 3/4 , 3 , □ □ B
- Ž † < l , Û , è , ì — L - 3 , đ Š m “ F , μ , Ä , , 3/4 , 3 , □ □ B , à , μ Ž † < l , Û , è , à , , é , Ì f t □ [f U □ [f Y f K f C f h , Ì Ž è □ † , É , μ , 1/2 , à , Á , Ä □ A < l , Û , Á , 1/2 — p Ž † , đ Ž æ , è □ œ , ç , Ä , , 3/4 , 3 , □ □ B
- f g f b f v f j f o □ [, à • Ä , Û , Á , Ä , ç , é , ± , Æ , đ Š m “ F , μ , Ä , , 3/4 , 3 , □ □ B
- fvfŠf“f^ f P □ [f u f < , à □ Ú ‘ ± , 3 , é , Ä , ç , È , ç , © □ A f P □ [f u f < , à • s — Ç , © , à , μ , é , Û , 1 , ñ □ B fvfŠf“f^ f P □ [f u f < , à , μ , Á , © , è , Æ □ Ú ‘ ± , 3 , é , Ä , ç , é , © Š m “ F , μ , Ä , , 3/4 , 3 , □ □ B , à , μ , Û , 3/4 - â ‘ è , à % o đ C E ^ , Á , « , È , ç □ ê □ † , í □ A ^ á , x f P □ [f u f < , Á Ž Ž , μ , Ä , , 3/4 , 3 , □ □ B

• s“K∅,É“dCE¹fift

‘O%ñ,lfvfšf“f^Žg—p|—¹Žž,ÉA•s“K∅,É“dCE¹,đflft,μ,Ü,μ,½B

•K, ,fvfšf“f^,ì“dCE¹{f^f“,đ%Ÿ,μ,Äflf“f%fcf“,É,μ,Ä,,¾,¾,çB

fvfšf“f^,á^óü’t,Ü,½,Ígfbfvfjfo[,áš],ç,Ä,ç,éó’Ô,ÅAfvfšf“f^,ì“dCE¹{f^f“,đflft,·,é,±,Æ,È,-
fvfšf“f^,ì“dCE¹,á∅,ê,Ü,μ,½B,±,ìê±fvfšf“fgj[fgfšfbfW,íA³<K,lfjWfVf†“,É-ß,é,±
,Æ,á,Ä,«,Ü,¹,ñB,±,ê,É,æ,èfvfšf“fgj[fgfšfbfW,lfmfYf<,áš£‘†,μAfCf“fN<|,Ü,è,ìCE^ö,É,È,è,Ü,·B

,±,ê,đ”đ,¯,é,½,ß,ÉAfvfšf“f^,á^óü,đš®—¹,μ“®ì,đ’âž~,μ,Ä,©,çfvfšf“f^,ì“dCE¹,đ∅,é,æ,κ
,É,É,μ,Ü,·B

,à,μfvfšf“f^,ì^óü•ižž,á’á%º,μ,Ä,«,Ä,ç,é,æ,κ,Ä,μ,½,çAHP

**DeskJetfXfe[f^fXf,fjf^“à,lf“fefif“fX,É, ,éfvfšf“fgj[fgfšfbfW,ìNfš[fjf“fo,đžÀž{,
μ,Ü,·B**

fCf“fNŽc—Ê

fvfŠf“fgfj[]fgfŠfbfW,lfCf“fN,².ó,©Žc—Ê,²,È,,È.Á,Ä,¢
,Û,·B[]V,µ,¢fvfŠf“fgfj[]fgfŠfbfW,ÉŒðŠ·,µ,Ä,,¾,³,¢[]B

fvfŠf“f^ f□f,fŠ•s‘«

fvfŠf“f^,lf□f,fŠ,•s‘«„μ,Ä,“,è□ACE»□Ý,ì•□□‘,đ^ó□ü,Á,«,Ü,¹,ñ□B^È%°°,ìŽè□#,É□],Á,Ä
%°°đCE^,μ,Ä,,¾,¾,¾,¾□□B

1. •□□“à,ÁŽg—p,•,éftfHf“fg,ì□”,đCE,ç,μ,Ü,•□B□i‘½□”,lf_fEf“f□□[fhftfHf“fg,đŽg—
p,•,é,ÆfvfŠf“f^,lf□f,fŠ,đ□Á“i,μ,Ü,•□B□j
2. fvfŠf“f^,ì“dCE¹,đflf“flft,μ,Ü,•□B,±
,ê,É,æ,è,•,Á,ÉfvfŠf“f^,Éf_fEf“f□□[fh,μ,½ftfHf“fg,đ□Á<Ž,μ,Ü,•□B
3. **C:\WINDOWS\SYSTEM** fffBfCEfNfgfŠ,É, ,é **HPWJCFG.EXE** fvf□fOf%of€
,đŽÀ□s,μ,Ü,•□BTrueTypeftfHf“fg,lf_fEf“f□□[fhf`fFfbfNf{fbfNfX,lf`fFfbfN,đ,í,•,μOK,đ
fNfŠfbfN,μ,Ü,•□B

<@ŠB“lfGf%oo□□

Žt<l,Ü,è,©'¼,ìáŠQ•,²fvfŠf“fgj□[fgfŠfbfW,ì%oÂ“@“í^í,É,è,Ü,·□Bfgfbfvfjfo□[,ðŠj,¬áŠQ•,ì—
L-³,ðŠm”F,μ,Ü,·□B□áŠQ•,²,è,íŽæ,è□œ,«,Ü,·□BfvfŠf“f^,ì“dCE¹,ðfift,É,μ□Ä“xfif“,É,μ,Ü,·□B

,à,μŽt<l,Ü,è,²,è,î□A^È%oo,ìŽè□†,É,μ,½,²,Á,ÄŽæ,è□œ,†,Ä,,¾,¾,†□B

1. fgfbfvfjfo□[,ðŠj,¬,Ü,·□B
2. fvfŠf“f^,ìfCEfWf...□[f€f{f^f“,ð%ÿ,μ,½,Ü,Ü,É,μ,Ü,·□B—pŽt,²è•ûCEü,É'—,ç,è,Ü,·□B
3. fvfŠf“f^,ìfCEfWf...□[f€f{f^f“,ð•ú,μ,Ä,©,ç□Ä,Ñ“¬f{f^f“,ð%ÿ,μ,½,Ü,Ü,É,μ,Ü,·□B—
pŽt,²□æ,Ü,Ç,Æ,í”½'í•ûCEü,É'—,ç,è,Ü,·□B—
pŽt,²Žæ,è□œ,¬,é,Ü,Ä^È□ä,ì'€□ì,ðCEj,è•Ö,μ,Ü,·□B
4. ^ø,Á,©,©,Á,Ä,†,é—pŽt,ðŽæ,è□œ,«□A—pŽt,ð,»,è,ì,Ä,©,ç□Ä,ÑfvfŠf“f^,ÉfZfbfg,μ,Ü,·□B
5. fgfbfvfjfo□[,ð•Á,¶,Ü,·□B
6. fvfŠf“f^,ì“dCE¹,ð^è'Ufift,É,μ,Ä□Ä,Ñfif“,É,μ,Ü,·□B

fffBfXfNfXfy[]fX•s'«

fvfŠf“f^fhf%oofCfo,íA^óü,μ,æ,π
,Æ,·,é•¶[]ftf@fCf<,ð^èŽž“l,Éfn[]fhfffBfXfN,É•Û'¶,μ,Û,·B^èŽž“l,È•Û'¶[]êŠ,Æ,μ,Ä,íA'Êí c:\
tmp,Û,½,l c:\temp,É•Û'¶,³,è,Û,·iNEC PC98,ìê[]í,É[]í'Û,È,Á,½fhf%oofCfu,É,È,è,Û,·[]B,±
,è,ç,ìfffBfCfNfgfŠ,É, ,éftf@fCf<,ðí[]æ,μ,Ä,,¾,³,ç[]B

,à,μ^óü•”[]”,Û,½,í^óü[]~flfvfVf+f“,ðŽg—p,μ,Ä,ç,é[]ê[]í,É,íA,æ,è'½,,ìfffBfXfNfXfy[]fX,ðŽg
—p,μ,Û,·B^óü•”[]”,ð^è•”,Æ,·,é,©A,Û,½,í^óü[]~flfvfVf+f“,ìf`fFfbfN,ð,í,,μ,Ä,,¾,³,ç[]B

'¾,ì%oðCE^•û-@,Æ,μ,Ä[]fvfŠf“fgf}f[]fWff,ðflft,É,·,é,Æ,ç,π•û-@,à, ,è,Û,·[]B
ROBOHELPROBOHELP

fXfv [f<fGf%o [

^óü,μ,æ,π,Æ,·,é•¶'ftf@fCf<,ðfXfv [fŠf“fO,Å,«,Ü,¹,ñB
fvfŠf“fgf}f [fWff,ðfift,É,μ,ÄAÄ“x^óü,ð,μ,Ä,,³/₄,³,çB

fvfŠf“fgf}f [fWff,ðfift,É,·,é,É,íA%º<L,ìžè±,É,μ,¹/₂,^a,Á,Ä,,³/₄,³,çB

- 1. fRf“fgf [f<fpfif<**,É,·,é**fvfŠf“f^fAfCfRf“**,ðf_fuf<fNfŠfbfN,μ,Ü,·B
- 2. fvfŠf“fgf}f [fWff,ðžg**,πf`fFfbfNf{fbfNfX,lf`fFfbfN,ð,í,,·B
- 3. [l—¹**,ðfNfŠfbfN,μ,Ü,·B
- 4. [Ä“xfvfŠf“fg**,μ,Ü,·B

,±,è,É,æ,èA^óü,·,é•¶'ftf@fCf<,ðfvfŠf“fgf}f [fWff,É'—,é,±,Æ,È,-
^óü,ðŠžn,μ,Ü,·B,±,íè±^óü,^aŠ@—¹,·,é,Ü,ÄAfvfŠfP [fVf}f“f\ftgfEfFfA,É,í-
ß,é,±,Æ,^a,Ä,«,Ü,¹,ñB

HPfXfv□[f%o,É,Â,ç,Ä

HPfXfv□[f%o,Æ,Í□H

HPfXfv□[f%o fEfCf“fhfE

fXfv□[f< fffBfCfNfgfŠ,ì•í□X

^óüftf@fCf<,l□í□œ

HPfXfv[]f%o,Æ,í[]H

HPfXfv[]f%o,Æ,í[]A^óü,μ,æ,π,Æ,·,é•¶[]',ðŠÇ—[],·,éŠÇ—[]\
ftfgfEjFfA,Å,·[]B^óü,·,é•¶[]',ð^êŽž“l,Èftf@fCf<,É•Û'¶,μ[]A•Ê,ì[]i<Æ,ð,μ,Ä,ç
,éSÖ,É[]A,»,)ftf@fCf<,ðfvfŠf“f^,Ö'—,è,Û,·[]B
HPfXfv[]f%o,í[]AWindows,lfvfŠf“fgf}f[]fWff,É'u,«Š,í,è,Û,·[]B

HPfXfv□[f%ofEfCf“fhfE

HPfXfv□[f%ofEfBf“fhfE,í□AfVfXfef€,É□V,μ,fCf“fXfg□[f<,³,ê,½fvfŠf“f^,lfŠfXfg,ð•\
Ž|,μ,Û,·□BŠefvfŠf“f^-¼,ì%°º,É^ó□ü't, ,é,ç,í'Ò<@'t,ì•¶□',lfŠfXfg,ª•\Ž|,³,ê,Û,·□B•¶□'f□ffj...
□['t,ì^ó□üfLfff“fZf<,ðŽg,ì,î□A•\Ž|,³,ê,½,Ç,lfvfŠf“f^,ì^ó□ü,àfLfff“fZf<,.é,±,Æ,ª,À,«,Û,·□B

fEfBf“fhfE,ì•□,ð•î□X,·,é□B

HPfXfv□[f%ofEfBf“fhfE,ì•□,ð•î□X,·,é,É,í□Af}fEfX,ðŽg,Á,Äf□ffj...□[fo□[,ì%°º,ìfo□[,ìffj
%of€f{□[f_□[,ðfhf%ofbfO,μ,Û,·□B

fXfv[]f< fffBfCEfNfgfŠ,ì•ï[]X

HPfXfv[]f%o,ìfXfv[]f< fffBfCEfNfgfŠ,É□A^êŽž“l,É^ó□üftf@fCf<,đ□ì□¬,μ,Û,·□B,à,μHPfXfv[]f%o, ãffBfXfN,ìfXfy[]fX,đŽg,ç□Ø,é,æ,α,É,Æ,«,É,í□A,±,ìfìfvfVf#f“,đŽg,Á,ĀfXfv[]f<—p,É•É,ìfhf %ofCfu,ÆffBfCEfNfgfŠ,đ'ì'đ,μ,Û,·□B

1. HPfXfv[]f%ofEfBf“fhfE,đŠj,,É,í□A%oæ-Ê,ì%oº,ìfXfv[]f %ofAfCfRf“,đf_fuf<fNfŠfbfN,μ,Û,·□B,à,μfXfv[]f%ofAfCfRf“,ªCE©,Â,©,ç,È,¬,ê,î□Afvf□Of %of€f}fì□[fWff,Û,½,ìftf@fCf<f}fì□[fWff,©,çWindowsffBfCEfNfgfŠ,É, ,éHPWJSPR.EXEftf@fCf<, đŽÁ□s,μ,Û,·□B
2. f□fjf...□[fo□[,©,çfìfvfVf#f“,đ'ì'đ,μ,Û,·□B
3. f□fjf...□[,©,çfìfvfVf#f“•ï[]X,đ'ì'đ,μ,Û,·□B
4. •\Ž|,³,é,½f_CfAf□Of{fbfNfX,ĀfXfv[]f< fffBfCEfNfgfŠ,đ'ì'đ,μ,Û,·□B
5. OK,đfNfŠfbfN,μ,Ā'ì'đ,μ,½“à—e,đ•Û'¶,μ,Û,·□B

•É,ìfXfv[]f< fffBfCEfNfgfŠ,đŽw'è,·,é,Æ□AŽŸ,É•¶□',đ^ó□ü,·,é,Æ,«,É□%o,ß,Ā—LCEø,É,È,è,Û,·□B

^óüftf@fCf<,lííœ

HPfXfv[f%ofEjBf“fhfE,É•Žl,³,ê,Ä,ç,éfvfŠf“f^,ì^óü,ðfLfff“fZf<,.é,É,Í•¶f“fjff...
[.,©,ç^óü,lfLfff“fZf<,ð'í'ð,μ,Û,·B

fAfCfhf<A^óü't, ,é,ç,í^êžž'âž~,l'ó'Ô,É, ,é•¶f“í,ç,Ä,Ä,àííœ,Ä,«,Û,·B
fvfŠf“f^,Ö'—,ç,ê,½,·,×,Ä,í•¶f“,ðííœ,·,é,É,íAHPfXfv[f%ofEjBf“fhfE,ð•Ä,¶,Ä,,¾,³,çB

