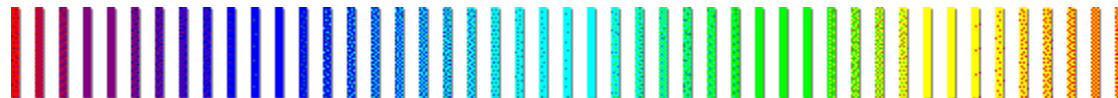


# HP DeskJet 850C

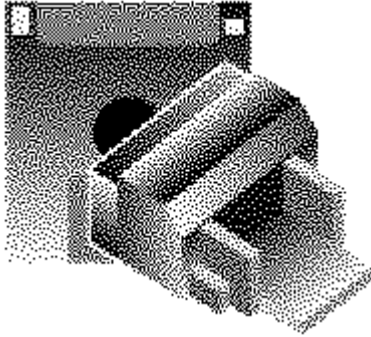
f v f Š f “ f ^ , É Š Ö , . , é □ î • ñ

- HP f v f Š f “ f e f B f “ f O f v f X f e f €
- f E f C f “ f h f E , Æ f \_ f C f A f □ f O f { f b f N f X
- Å “ K , È f v f Š f “ f ^ , ì □ Ý ’ è
- Š e Ž í — p Ž t , ì ’ I ’ ð
- p Ž t , Æ f v f Š f “ f g f J □ [ f g f Š f b f W , ì Ž g — p - @
- ^ ó □ ü , É - â ’ è , ã , , é , Æ , «

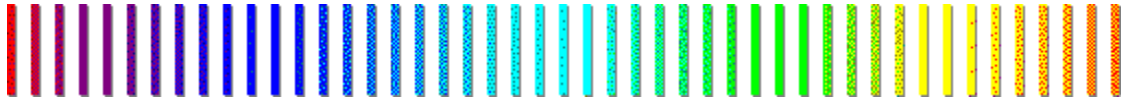


# HP DeskJet fvfŠf“fefBf“fOfVfXfef€

---

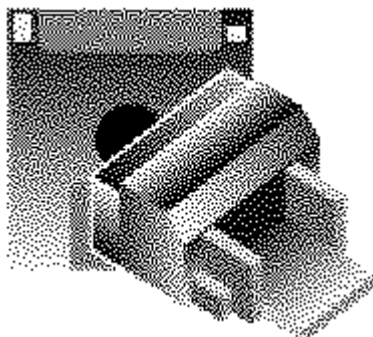


- fvfŠf“f^,É,Â,ç,Ä
- fvfŠf“f^fhf%ofCfo,É,Â,ç  
,Ä



fEfCf“fhfEfY,Æf\_fCfAf□fOf{fbfNfX

---



ColorSmartf\_fCfAf□fOf{fbfNfX

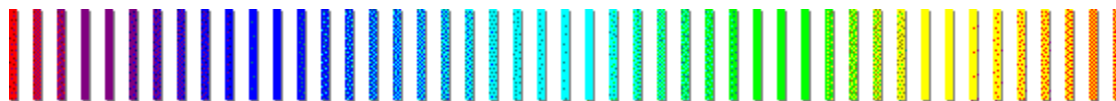


ColorSmartfIfvfVf†f“

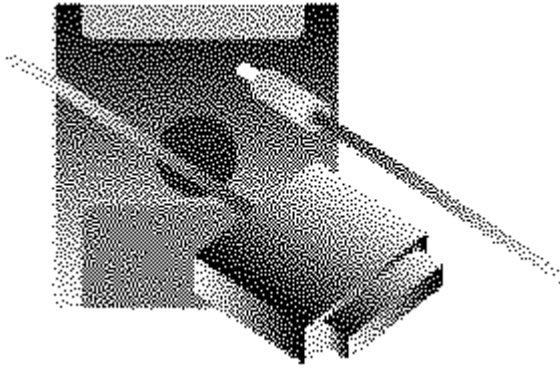
f\_fCfAf□fOf{fbfNfX



HP DeskJetfXfe□[f^fX f,fjf^



Å“K,ÈfvfŠf“f^,ìŸ'è



^óü«”\,ìŸüã

fvfŠf“f^fhf  
%ofCfo,lfAfbfvfflf

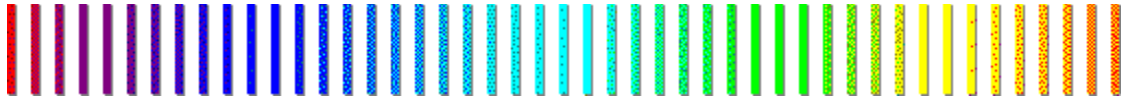
fGfRfmftf@lfXfgf,lfh,ìŽg—p

Ž©“®,Æf}fjf...fAf<,ì

ColorSmartlfvfVf#f“

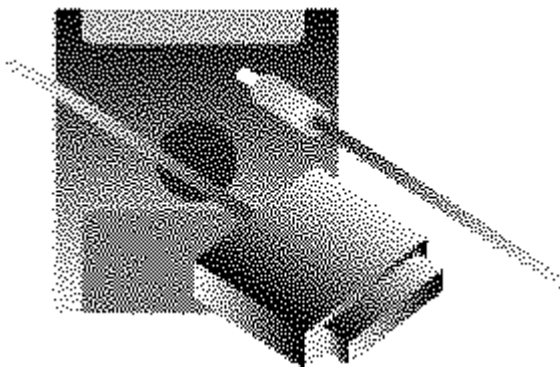
fjf

%o[ ^óü,Æf,fmfNf ^óü

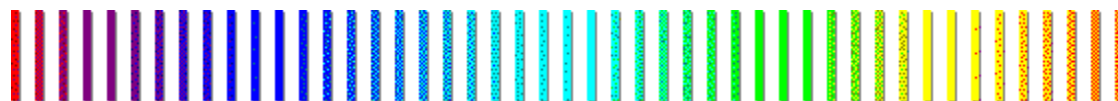


# ŠeŽí—pŽt,ì'í'ď

---



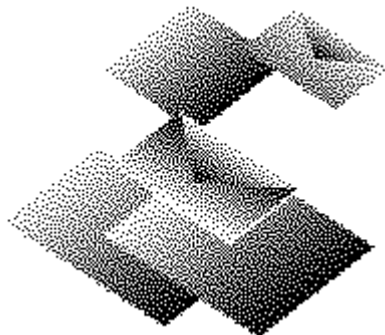
- OHPftfBf<f€,,ì^óü
- “>,ì^óü
- fjfXf^f€fTfCfY—pŽt,ì^óü
- HPfvf€f~fAf€ë—  
pŽt,ì^óü
- fOf€[fXfP[f<^óü
- fjf%oo[ì^óü



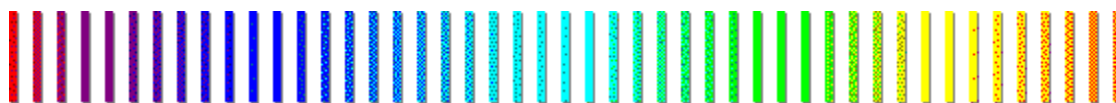
 -úžŷ

—pŽt,ÆfvfŠf“fgfJ□[fgfŠfbfW,ìŽg—p-@

---



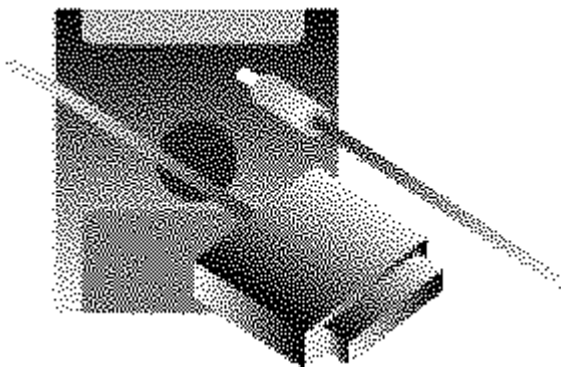
- pŽt,ìfZfbfg
- ìßØÝÄ¶°ÄØ<sup>-1/4</sup>¶,ìŽæ,è•t,¯
- ìßØÝÄ¶°ÄØ<sup>-1/4</sup>¶,ìŽ<sup>2</sup>¶†,í,<sup>1</sup>
- ìßØÝÄ¶°ÄØ<sup>-1/4</sup>¶,ì Ø°ÆÝ, ¶



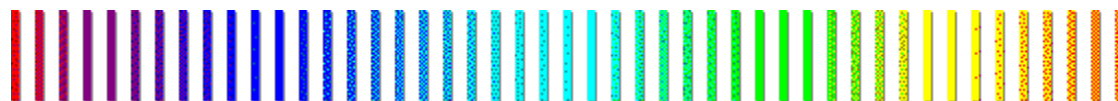
 -ÚŽŮ

^óü,É-â'è,ª, ,é,Æ,«

---



- «”\,ìŠm”F
- fvšf“f^,ìf{f^f“,Æf
- %of“fv,ìŠm”F
- HP,ìTf|[]fg,ð“¾,é,É,í



[-ÚŽŸ](#)

[HP DeskJetfvfŠf“fefBf“fOfVfXfef€](#)

fvfŠf“f^,É,Â,ç,Ä

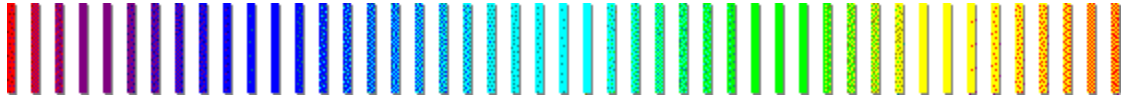
---

HP  
DeskJet850C,íAfCE[fUfvfŠf“f^,È,Ý,ì•,Æ  
ffj%o[fOf  
%oftfBfbfNfX,ð•ÉŽ†,É,à,n,g,oftfBfçf€  
,É,à^óü,Ä,«,éfff%o[fvfvfŠf“f^,Ä,·B,Û,½HP  
DeskJet850C,íA,Q,Ä,ì/Oj  
[fg,ð,à,¿Windows,ÆMac'o•ù,ìŠÄ«»,ÅŽg—  
p,Ä,«,Û,·B

Žg—p,Ä,«,é—pŽt,ìŽí—p

fvfŠf“fgfJ[fgfŠfbfW,É,Â,ç,Ä

fvfŠf“f^,ìf{f^f“,Æf  
%of“fv





[-ÚŽŸ

HP DeskJetvfŠf“fefBf“fOfVfXfef€

fvfŠf“f^,É,Á,č,Ā

Žg—p,Ā,«,é—pŽt,ìŽí—p

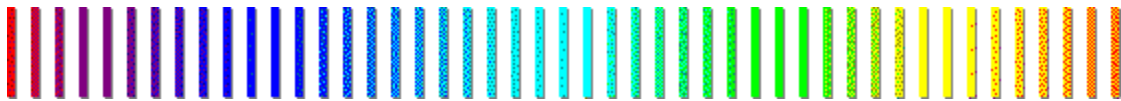
HP DeskJet850C,íA%oo<L,ì—pŽt,Æ,»,ì'¼,ì"}ì,ðŽg—p,Ā,«,Ü,·B

ŠeŽí—pŽt,ì'ìð

- f{f“fhŽt
- fRfs[]Žt
- “>
- HPfvfĀf~fAf€fCf“fNfWfFfbfg[]ê—pŽt
- HPfvfĀf~fAf€OHPftfBf<f€
- HPfvfĀf~fAf€Āf'òŽt

Note: ColorSmartf\_fCfAf[]fOf{fbfNfX,Ā[]³,μ,č—pŽt,ìŽí—p,ð'ì'ð,μ,Ā,,¾,¾,č[]B

ColorSmartf\_fCfAf[]fOf{fbfNfX



☑ -ÚŽŸ

☑ HP DeskJetfvfŠf“fgfJ“fgfŠfbfW,É,Â,ç,Ä

☑ fvfŠf“f^,É,Â,ç,Ä

# fvfŠf“fgfJ“fgfŠfbfW,É,Â,ç,Ä

HP

DeskJet850CfvfŠf“f^,É,íACEđŠ·Žž^ÈŠO,íííŽž,Æ,è,Â,˘,½,Ü,Û,ÅŽg—  
p,·,éf,fmfNf,Æfj%□[.lfvfŠf“fgfJ“fgfŠfbfW,ª•t’®,μ,Ä,ç,Û,·□B

□Å□,,ì^ó□ü•iŽ,đ^ÛŽ□,·,é,½,ß,É,ÍŽŸ,ì,±,Æ,É’^Ó,μ,Ä,,¾,¾,ç□B

■ fvfŠf“f^,ì“dCE¹,đfjft,É,μ□A“dCE¹fR□[fh,đ”²,-  
‘O,ÉfvfŠf“fgfJ“fgfŠfbfW,đfvfŠf“f^,ì%œE’x,É-ß,μ,Ä,,¾,¾,ç□B

■ fvfŠf“fgfJ“fgfŠfbfW,í-š•Ä—eŠí,É“ü,ê□AZº  
%œ·16ß□`26ßC,Ä•ÚŠÇ,μ,Ä,,¾,¾,ç□B



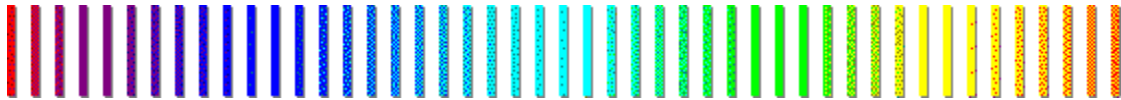
fvfŠf“fgfJ“fgfŠfbfW,ì  
Zæ.è•t,˘



fvfŠf“fgfJ“fgfŠfbfW,ì  
fNfS□[fj“fO



fvfŠf“fgfJ“fgfŠfbfW,ì  
Z²□±.í.¹



☑ [-ÚŽŸ](#)

☑ [HP DeskJet fvfŠf“f^,É,À,ç,Ä](#)

☑ [fvfŠf“f^,É,À,ç,Ä](#)

# fvfŠf“f^,É,À,ç,Ä

HP

DeskJet850CfvfŠf“f^,É,À,ç,Ä,“dCE¹,â^óü,ðfRf“fgf“[f<.,éfXfCfbf` ,Æfvf Šf“f^,ìó’Ô,ð·\Z|,.,éf%of“fv,ª, ,è,Û,·B

fvfŠf“f^,É,À,ç,Ä,“dCE¹,â^óü,ðfRf“fgf“[f<.,éfXfCfbf` ,Æfvf Šf“f^,ìó’Ô,ð·\Z|,.,éf%of“fv,ª, ,è,Û,·B

fvfŠf“f^,É,À,ç,Ä,“dCE¹,â^óü,ðfRf“fgf“[f<.,éfXfCfbf` ,Æfvf Šf“f^,ìó’Ô,ð·\Z|,.,éf%of“fv,ª, ,è,Û,·B



“dCE¹f%of“fv  
“dCE¹,ªf|f“,ì,Æ,«“ “”,μ,Û,·B,o,b,©,çfî·ñ,ðŽóM’t, ,é,ç  
,í^óü’t,É” \_-Ä,μ,Û,·B  
“dCE¹f{f^f”  
,±,ìf{f^f”,ð%oÿ,·Æ“dCE¹,ªf|f“,Û,½,Íf|ft,É,È,è,Û,·B

.....-UŽY  
.....HP  
DeskJetvfŠf“f^fhf%oofCfo,É,Â,ç,Ä

f^fhf%oofCfo,É,Â,ç,Ä  
.....

HP DeskJet850CvfŠf“f^•t’®,i\A  
ftfgfEjFfA,iAfvfŠf“f^fhf%oofCfoAHP  
DeskJetXfe[]f^fXf,fjf^AfŠfS[]fXfm[]fg  
A,“,æ,Nfif“f%ofCf“fwfçfv,Ä,·B

.....  
HP  
DeskJetXfe[]f^fXf,fjf^,É,Â,ç,Ä  
.....  
HP ColorSmartvfŠf“f^fhf  
%oofCfo  
.....  
fŠfS[]fX fm[]fg

.....

DeskJetfVfŠf“fefBf“fOfVfXfef€

fVfŠf“f^fhf%ofCfo,É,Â,ç,Ä

HP DeskJetfXfe□[f^fXf,fjf^,É,Â,ç,Ä

HP

DeskJetfXfe□[f^fXf,fjf^,Í«»□Ý,ì^ó□üff□[f^,ÆfvfŠf“f^,ì□ó‘Ô,É,Â,ç,Ä,ì□^•ñ,ð‘ñ<Ý,μ,Ü,□B,Ü,½fvfŠf“fgf□[fgfŠfbfW,ìfNfŠ□[fjf“fO,âŽ²□±,í,¹□AfZf<ftfefXfg,È,Ç,à,¨,±,É,ì,Ü,□B

HP

DeskJetfXfe□[f^fXf,fjf^fEfCf“fhfE

HP DeskJetfXfe□[f^fXf,fjf^,Í^ó□ü,·,é•¶□‘,ð—,Á,½,Æ,«□A, ,é,ç,Í^ó□ü,ìfGf%□[„a”□¶,μ^ó□ü,ð□ÄŠ,·,é‘O,É%½,ç,©,ì□^‘u,ª•K—v,È,Æ,«□AZ©“@“ì,ÉSj,©,è,Ü,□B,Ü,½□AfXfe□[f^fXf,fjf^,ìfvf□fOf%of€f}f□[fWff,ìHP DeskJetf□[fefBfŠfefBfOf□[fv,É, ,éHP

DeskJetfXfe□[f^fXf,fjf^fAfCfRf“,ðf\_fuf<fNfŠfbfN,·,é,±,Æ,É,æ,Ä,Ä,àfAfNfZfX,Ä,«,Ü,□B

HP DeskJetfXfe□[f^fXf,fjf^,É,æ,Ä,Ä,Ä,—,ì,±,Æ,ª,Ä,«,Ü,□B

«»□Ý,ì^ó□üfWf#fu,ìf,fjf^

fVfŠf“f^,ì□ó‘Ô,ìf,fjf^

fVfŠf“fgf□[fgfŠfbfW,ìfNfŠ□[fjf“fO

fVfŠf“fgf□[fgfŠfbfW,ìŽ²□±,í,¹

«»□Ý,ì^ó□üfWf#fu,ìfLfff“fZf<

fVfŠf“fgf□[fgfŠfbfW.ìfNfŠ□[fjf“fO

fVfŠf“fgf□[fgfŠfbfW.ìŽ²□±,í,¹

**Note:** HP

DeskJetfXfe□[f^fXf,fjf^,ì□Aftf<fTfCfY,ìfEfCf“fhfE,Æ,μ,Ä, ,é,ç,ìfAfCfRf“,©,ç,ç,Ä,Ä,à•\Ž!,ª,è,Ü,□BfAfCfRf“,ðftf<fTfCfY,ìfEfCf“fhfE,Ö□A, ,é,ç,ìfEfCf“fhfE,ðfAfCfRf“,É,·,é,±,Æ,ª,Ä,«,Ü,□B

DeskJet fvfŠf“fefBf“fOfVfXfef€

fvfŠf“f^fhf%ofCfo,É,Á,č,Ä

HP ColorSmart fvfŠf“f^fhf%ofCfo

fvfŠf“f^fhf%ofCfo,Æ,ÍAf□□lfvf□□^•\CEvŽZfA  
ftfg,É,Ç,lfAfvfŠfP□lfvf†f“fvf□fOf%of€  
,©,ç□AfvfŠf“f^,ÉfAfNfZfX,·,é,½,ß,lf\ftfgfEfffA,ì,±  
,Æ,Á,·□BfvfŠf“f^fhf  
%ofCfo,đŽg,Á,ÁColorSmart,lfifvfVf†f“□iŽ©“®□^f}fjf...  
fAf<□□A^ó□ü•iŽ;□A^ó□ü,ìCEü,«□A—pŽ†,ìŽí—p□A,“,æ,Ñ—  
pŽ†fTfCfY,đ'Í,Ö,±,Æ,ª,Á,«,Ü,·□B

fvfŠf“f^fhf%ofCfo,ìColorSmart<Z□p,í□A•¶□',đ•ª□í,μŽ©“®“Í,Éfjf  
%o□[□Y'è,đ'²□ß,·,é,±,Æ,É,æ,è□Á□,,lfjf  
%o□[•iŽ;đ'ñ<ÿ,μ,Ü,·□BColorSmart,íŽ©“®,Á□Á□,,ì^ó□ü•iŽ;đ'ñ<ÿ,μ,  
Ü,·,ª□AColorSmattf\_fCfAf□fOf{fbfNfX,Áf}fjf...fAf<,đ'Í'đ,·,é,±  
,Æ,É,æ,è□A,č,Á,Ä,à,»,ì□Y'è,đf}fjf...fAf<,Á•í□X,·,é,±,Æ,ª,Á,«,Ü,·□B

Ž©“®,Æf}fjf...  
fAf<,ìColorSmartlfvfVf  
†f“

► **ColorSmart,ìŽg—p**

ColorSmartf\_fCfAf□fOf{fbfNfX,Á□AŽ©“®,đ'Í'đ,μ,Ü,·□B  
ColorSmart,Í•¶□',É□†,í,¹,Ä“K□³,É□FŽw'è,đŽ©“®“Í,É□s,č,Ü,·□B

ColorSmartf\_fCfAf□fOf  
{fbfNfX

► **ColorSmart,ìf}fjf...fAf<•í□X**

- 1 ColorSmartf\_fCfAf□fOf{fbfNfX,Á□Af}fjf...fAf<,đ'Í'đ,μ,Ü,·□B
- 2 lfifvfVf†f“f{f^f“,đ'Í'đ,μ,Ü,·□B
- 3 ColorSmartlfifvfVf†f“f\_fCfAf□fOf{fbfNfX,Á□AŠó-]  
,lfn□[ftfg□[f“□A-¾,é.³□Afjf%o□[□\$CEä,É□Y'è,μ,Ü,·□B

ColorSmartlfifvfVf†f“  
f\_fCfAf□fOf{fbfNfX

.....-UŽY

.....HP

.....DeskJetfvfŠf“fefBf“fOfVfXfef€

.....fvfŠf“f^fhf%ofCfo,É,Á,č,Ä

.....fŠfŠ[]fXfm[]fg

.....fŠfŠ[]fXfm[]fg,í[]AfvfŠf“f^fhf  
%ofCfo,ÉŠÖ,·,é[]î•ň,·,æ,ŇŽü'm,ìfn[]fhhEjFfA,Æf\  
ftfgfEjFfA,ì[]Ú'±[]«,ÉŠÖ,·,é[]î•ň,đŠÜ,ň,Á,č,Û,·[]B[]Ú,μ,č[]î•ň,É,Á,č  
,Á,í[]AHPWJREAD.TXT,đ,<sup>2</sup>—, ,<sup>3</sup>/<sub>4</sub>,<sup>3</sup>,č[]B

.....fŠfŠ[]fXfm[]fg,Ö[]s.

fEfCf“fhfEfY,Æf\_fCfAf□fOf{fbfNfX

# ColorSmartf\_fCfAf□fOf{fbfNfX

^óü□Y'è,ì'ı'ð

,Ç,ì,æ,π  
,É^óü,·,é,©,ðŒ^'è,·,é,½,ß,É□A,±  
,lf\_fCfAf□fOf{fbfNfX,ðŽg—p,μ,Û,·□B

Ž©“®

f}fjf...fAf<

fOfŒ□[fXfP□[f<,Å^óü

flfvVf†f“

fxfXfg

fm□[f}f<

fGfRfmftf@□[fXfg

—pŽt,ìŽí—p

—pŽt†fTfCfY

flfXf^f€

fXfe□[f^fXfo□[

□c

%oi

^óü•“□”

^óü□‡□~

OKf{f^f“

fLfff“fZf< f{f^f“

ffftfHf<fg f{f^f“

fwf<fv f{f^f“

ColorSmartflfvVf†f“f\_fCfAf□fOf{fbfNfX

Ž©“®,Æf}fjf...fAf<,ìColorSmartflfvVf†f“





, ,ç,ä,é•¶□',É,¨,ç,Ä□A,¨,·,·,ß,ì□Ý'è,Å,·□B  
,±,lf|fv|Vf|f|",íColorSmart<Z□p,É,æ,è□AfQf%o|ftfBfbfNfX□AfefLfXfg,Æ,à,É□Å—  
Ç,lf|n□|ftfg□|f"□A-¾,é,³□A|f|f%o□|□|§CEä,ðŽ © “ ®,Å'í'ð,µ,Ü,·□B



f}fjf...fAf<

,±,lfjfvfVfjf“,íAfof%oftfBfbfNfX AfefLfxfg,Æ,à,ÉAÅ—Ç,ìfn[ftfg[f“A-¾,é.³Aflf  
%o[[]\$Eä,ðf}fjf...fAf<,Å'í'ð,Å,«,Ü,·B,±  
,ê,ð'í'ð,·,é,ÆAfjfvfVfjf“f{f^f“,©,çfjfvfVfjf“f\_cfAf[]fOf{fbfNfX,ðŠ},«Ý'è,ð•íX,Å,«,Ü,·B



fOfCE[fXfP[f<,Å^óü

ffj%o[fCf[fW,ðfOfCE[fXfP[f<,Å^óü,·,é,É,í,±,ê,ð`fFbfN,μ,Ü,·BfOfCE[fXfP[f<,Å,ÍAfjf  
%o[f,ðfOfCE[f,ì"Z'W,Å·\CE»,μ,Ü,·B



fxfXfg

fxfXfgf,[]fh,Å,Í[]A“h,è,Â,Ô,μ,ì[]Ùfof“fffBf“fO,à,È,[]Å[],,ì^ó[]ü•iŽ¿,ð“¾,é,±  
,Æ,ª,Å,«,·[]B,μ,©,μ,È,ª,ç[]Afm[]f}f·f,[]fh,æ,è,à^ó[]üŽžŠÔ,ª,©,©,è,Ü,·[]B



fm[f]f<

'Êí•¶',É"K,μ,½^óü•iŽ¿,Å,·□B,Ù,Æ,ñ,Ç,ìŽí—p,ì—pŽ†,Å•W□€,ì^óü•iŽ¿,đ"¾,é,±  
,Æ,ª,Å,«,Ü,·□B



fGfRfmftf@[]fXfg

fhf%oofthg^óüüi%oo¼^óüüj,ì•ižì,Å,·□B,±,ìf,□[fh,Å,ífm□[f}f<f,□[fh,æ,è,í'¬,,©,Â,»,±,»,±,ì^óüü•ižì,ð"¾,ç,ê,Ü,·□B,Ü,½,±,ìf,□[fh,Å,í□AfCf"fN,ì□A"i—É,ðíCE,Å,«,Ü,·□B,±,ìf,□[fh,í□A•□'ÉŽ†,ð'l'ð,μ,½,Æ,«,ÉŽg—p,Å,«,Ü,·□B

**Note:** flf

%□[,ì•¶□',ð□Z□³,ì,½,β,É^óüü,·,é,É,í□AfGfRfmftf@[]fXfgf,□[fh,ÆfOfCE[]fXfP[]f<^óüü,ð'l'ð,μ,Å,,¾,¾,ç□B,±,ê,É,æ,è"ñí,É□,'¬,É^óüü,·,é,±,Æ,ª,Å,«,Ü,·□B



c

• ¶', δc', É, μ, ½ó'Ô, Å^óü, μ, Ü, ·B



%oij

•¶□',ð%oij',É,μ,½□ó'Ô,Å^ó□ü,μ,Û,·□B



## —pžt, iží—p

fvfšf“f^,ÉfZfbfg,<sup>3</sup>é,Ä,ç,é—pžt,iží—p,đ‘l’đ,μ,Ü,·□B

**Note:** , ,éží—p,i—pžt(Ü,½,i,»,i’¼,i”}’i),í□A,±,ifvfšf“f^,É“K,<sup>3</sup>È,ç,±,Æ,<sup>a</sup>,è,Ü,·□

BColorSmartf\_fCfAf□fOf{fbfNfX,Ä‘l’đ,Ä,«,é—pžt,iží—p,i,Ý,<sup>2</sup>žg—p,,<sup>3</sup>/<sub>4</sub>,<sup>3</sup>,ç□B—pžt,iží—p,i□Ú□×,É,Ä,ç,Ä,í□Aft□[fU□[fYfKfCfh,đ,<sup>2</sup>—,,<sup>3</sup>/<sub>4</sub>,<sup>3</sup>,ç□B

**—pŽtTfCfY**

fvfŠf“f^,ÉfZfbfg,<sup>3</sup>,ê,Ä,ç,é—

pŽt,Ü,<sup>1/2</sup>,í<sup>3/4</sup>,l̄}í,lfTfCfY,ð‘l‘ð,μ,Ü,·□BColorSmartf\_fCfAf□fOf{fbfNfX,Å‘l‘ð,Å,«,é—

pŽtTfCfY,ì,Ý,<sup>2</sup>Žg—p,,<sup>3/4</sup>,<sup>3</sup>,ç□B

ColorSmartf\_fCfAf□fOf{fbfNfX,ÅfŠfXfg,<sup>3</sup>,ê,È,çfTfCfY,ì—pŽt,ðŽg,⊗□ê□‡,É,í□AŽ©—R,È—

pŽtTfCfY,ð‘è<` ,Å,«,éjJfXf^f€f{f^f“,ð‘l‘ð,μ,Ä,,<sup>3/4</sup>,<sup>3</sup>,ç□B



^óü•"□"

^óü,μ,½,ϕ•"□",đ'¼□Ú"ü—Í,·,é,©,Ü,½,Í□A□ã%º,ì-î^ó,đ'l,ñ,Å^óü•"□",đ'l,ñ,Å,,¾,³,ϕ□B



^óü#~

,±,lf{fbfNfX,đf`fFfbfN,·,é,±,Æ,É,æ,è^óü#~,đ"½'î,É,À,«,Ü,·iÅlfy[fW,đÅ%

,É^óüjB,±

,ê,É,æ,èA^óüEä,lfy[fW,ìŽá,ç#É•À,Ñ,Ü,·B^óü#~,đ"½'î,É,·,é,Æ^óü'~"x,í'½'x,-  
,É,è,Ü,·B

**ffftfHf<fgf{f^f“**

ffftfHf<fgf{f^f“,đfNfŠfbfN,·,é,Æ□Af\_fCfAf□Of{fbfNfX,ì,·,×,Ä,ì□Ý'è,đffftfHf<fg,ì□Ý'è,É-β,·,·,±,Æ,<sup>a</sup>,Ä,«,Ü,·□B

## fifvfVf#“f{f^f”

ColorSmartf\_fCfAf\_fOf{fbfNfX,ÅfifvfVf#“f{f^f”,ð‘l’ð,·,é,Æ□A-¾,é,³,ì□Ý’è□Afn□[ftfg□[f“,ì•ù-  
@□Afff%□[□\$EäfifvfVf#“,ð‘l’ð,Å,«,Ü,·□B

**Note:** ColorSmartf\_fCfAf\_fOf{fbfNfX,ÅŽ©“®,ð‘l’ð,·,é,Æ□AfifvfVf#“f{f^f”,í-  
³Eø,É,È,è□ifOfE□[,É,È,é□j□AfvfŠf“f^fhf%□fCfo,ª□A-¾,é,³□Afn□[ftfg□[f“□Afff  
%□[□\$Eä,ðŽ©“®,Å□Ý’è,μ,Ü,·□B

**fjfx^f€f{f^f“**

fjfx^f€f{f^f“,đfNfŠfbfN,·,é,Æ□Ajjfx^f€—pŽ+ftfCfyf\_fCfAf□fOf{fbfNfx,Å”C^Ó,ì—  
pŽ+ftfCfy,đ□Y’è,Å,«,Û,·□B

**OKf{f^f“**

OKf{f^f“,đfNfŠfbfN,·,é,Æ□A,±,±,Å•İ□X,μ,½ŠeŽí,ì□Ý'è,đ•Û'¶,μ□A,±,ìf\_fCfAf□fOf{fbfNfX,đ□I—  
¹,μ,Û,·□B



**fLfff“fZf·f{f^f“**

fLfff“fZf·f{f^f“,đfNfŠfbfN,·,é,Æ□A,±,±,Å•İ□X,μ,½ŠeŽí,ì□Ý'è,đ"jŠü,μ□A,±  
,İf\_fCfAf□fOf{fbfNfX,đ□I—<sup>1</sup>,μ,Ü,·□B

**fwf{fvf{f^f“**

fwf{fvf{f^f“,đNfŠfbfN,·,é,Æfwf{fvftf@fCf<,a—š,¿□ă,a,è,Ü,·□B

**Color Kit**

The optional color kit lets you print color with the HP DeskJet 600K printer. The color kit contains a color print cartridge and a print cartridge storage container.

**fXfe[]f^fXfo[]**

fXfe[]f^fXfo[][,Å,í[]Af\_fCfAf[]Of{fbfNfX"à,ÅE»[]ÝfnfCf%ofCfg,<sup>3</sup>,ê,Ä,ç,élfvfVf#f",ìŠÈ'P,È[]à-  
¾,ð'ñ<ÿ,µ,Û,·[]B

fEfCf“fhfEfY,Æf\_fCfAf□fOf{fbfNfX

ColorSmartflfvfVf‡f“f\_fCfAf□fOf{fbfNfX

### ColorSmartflfvfVf‡f“,ì‘l’ð

ColorSmartflfvfVf‡f“f\_fCfAf□fOf{fbfNfX,  
ð•\n  
Žl,³,¹,é,É,í□AColorSmartf\_fCfAf□fOf{fbfNfX,  
fX,Åf}fjf...  
fAf<,ð‘l,Ñ□AZÿ,ÉflfvfVf‡f“f{f^f“,ðfNfŠfb  
fN,µ,Û,·□BColorSmartflfvfVf‡f“f\_fCfAf□f  
Of{fbfNfX,ðŽg,Á,ÅŠó-],·,éŠeŽí,ljfj  
%o□[□Y’è,ð□s,ç,Û,·□B

-³/4,é,³

fpf^□[f“  
ŠgŽU

frfrfbfhflf%o□[  
f}fbf`fXfNfŠ□[f“

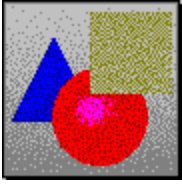
OKf{f^f“  
fLfff“fZf<f{f^f“  
ffftfHf<fgf{f^f“  
fwf<fvf{f^f“

.....  
ColorSmartf\_fCfAf□fOf{fbfNfX

.....  
Ž©“®,Æf}fjf...fAf<,ìColorSmartflfvfVf‡f“

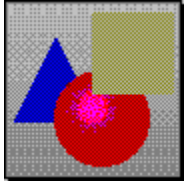
# ŠgŽU

, Û, Æ, ñ, Ç, ì • ¶ □', É □ Å " K, ì □ Ý ' è, Å, · □ B, ±, ì □ Ý ' è, Å, Í □ A f C f " f N, ð f y □ [ f W □ ã, É f % o f " f \_ f € , É " z ' u, µ, Ü, · □ B



fpf^[]f"

,±,ìY'è,Å,í[]AfCf"fN,ðfy[]fW[]ã,Éšô%½Šw"l,É"z'u,μ,Û,·[]BŠÈ'P,ÈfOf  
%oftfBfbfNfX,ðŠÛ,ñ,¾•¶[]',Å,í^óü'¬"x,ª'¬,,È,è,Û,·[]B









f}fbf`fXfNfŠ[f“

,±,lfjf

%o[[]\$CEä,Å,ÍA^óüCE<%oÊ,ðfffBfXfvfCEfC,ìF,Æ±,í,¹,Ü,·BfXfLffffifCf[]fW[]AŽÊ^[]A•;ŽG,Èf  
Rf“fsf...[f^fOf%oftfBfbfNfX,È,Ç,ì,æ,ɣ,È•;ŽG,Èffj%o[fOf%oftfBfbfNfX^óü,Å,ÍA,±  
,lfvfVf†f“,ð'ì'ð,μ,Ü,·B

**Note:** fOfCE[]fXfP[]f<^óü,Å,ÍA,±,ê,ç,lfjf%o[[]\$CEä,í-³CEø,Æ,È,è,Ü,·B

-¾,é,³

fCf“fN,ì•-□o—Ê,ð□SCEä,·,é,±,Æ,É,æ,è□A-¾,é,³,ð□Ý’è,μ,Û,·□Bf}}fEjX,ðŽg,Á,ÄfXf  
%ofCf\_□[□¶,É“®,©,·,Æ-¾,é,³,ifCf“fN—Ê□□j□AfXf%ofCf\_□[,ð%oE,É“®,©,·,Æ”Z,-  
^óü,Ä,«,Û,·□ifCf“fN—Ê’â□j□B



## fn [ftfg [f“

, ±, ì ÿ è, í □ Afvf Šf“ fgj □ [fgf ŠfbfW, ©, ç, ì jff % □ [fCf“ fN, ð, ç, ì, æ, x, È • ù -  
@, Å'g, Ÿ □ ‡, í, ¹, Å"z'u, ·, é, ©, ð 'l' ð, μ, Ü, · □ B

Šg ŽU, í □ AfCf“ fN, ðfy □ [fW □ ä, Éf % of“ f\_f € , É"z'u, μ, Ü, · □ B • ; ŽG, ÈfOf  
% of tfBfbfNfX □ AŽ É □ ^ fCf □ □ [fW □ A, ", æ, ŃfXfLfff“, μ, ½ fCf □ □ [fW, É“K, μ, Ü, · □ B  
fpf ^ □ [f“, í □ AfCf“ fN, ðfy □ [fW □ ä, ÉŠ ð % ½ Sw“l, É"z'u, μ, Ü, · □ B jff % □ [fefLfXfg □ AfrfWfLfXfOf  
% of tfBfbfNfX, È, Ç Š È 'P, ÈfOf % of tfBfbfNfX, ð Š Ü, ñ, ¾ • ¶ □ ' , É“K, μ, Ü, · □ B

-¾,é,³

fCf“fN,ì•-□o—Ê,ð'²□®,μ,Û,·□B,æ,è-¾,é,□A,æ,è"Z,□A,æ,è'N,â,©,É,È,Ç,ì'²□®,ðfXf  
%ofCf\_ðŽg,Á,Ä,¨,±,È,κ,±,Æ,ª,Å,«,Û,·□B

**fjf%o[]\$CEä**

,±,±,Å,íAfrfrfbfhjff%o[],Æf}fbf`fXfNfŠ[]f“,ì“ñ,Â,ìjff%o[]\$CEä,ì•û-@,ª, ,è,Û,·B

frfrfbfhjff%o[],Å,íA'N-¾,Å'N,â,©,È^óü,ðŽÀCE»,μ,Û,·Bfrfrfbfhjff%o[],íA,W,Â,ìŠî-{ffj  
%o[]i•A''AÔA—íAÅAfvfAf''A%©Af}f[f"f\_j,ðfTf[]fg,·é'P[]f,È“h,è,Â,Ô,μ,ìfOf  
%oftfBfbfNfX,É“K,μ,Å,ç,Û,·B

f}fbf`fXfNfŠ[]f“,íA^óüCE<%oÈ,ðffBfXfvfCEfC,ìF[]ç,ç,Æ^ê'v,³,¹,é,æ,κ  
,É'²[]®,μ,Û,·Bf}fbf`fXfNfŠ[]f“,Å,íAfxflfff“fCf[]fW[]AZÉ[]^AfRf“fsf...[]f^fOf  
%oftfBfbfNfX,ì,æ,κ,É•;ŽG,ªfOf%oftfBfbfNfX,É“K,μ,Å,ç,Û,·B

**Note:** fOfCE[]fXfP[]f<,Å^óü,ð'ì'ð,·é,Æ[]Affj%o[]\$CEä,ìÝ'è,í-³CEø,Æ,È,è,Û,·B

"}i

,±,lfvfšf“f^,Å,í□AŠeŽí,ì—pŽt,<sup>a</sup>Žg—p,Å,«,Ü,·□BŽg—p,Å,«,é—  
pŽt,“,æ,Ň"}i,ì□ú□x,í□Aft□[fU□[fyfKfCfh,đ,<sup>2</sup>—,„<sup>3/4</sup>,<sup>3</sup>,č□B

HP DeskJet f4500 series printer software

# HP DeskJet f4500 series printer software

HP

DeskJet f4500 series printer software, íĚ»Ÿ, Ĩ  
óŸŸWfŸfu, ÆfvfŠf“f^, Ĩó’Ô, ĚŠÖ, ., éŸĥ, đ•\  
Ž, μ, Ů, ·ŸB, ±  
, ĨXfeŸŸf^fXf, fŸf^, ĨAfvfŠf“fgfŸŸfgfŠfŸW, Ĩf  
NfŠŸŸfŸfO, âZ²ŸŸ, Ĩ, Ĩ, Ě, Ç, ĨfvfŠf“f^, ĚŠÖ, ., éŸ  
<Æ, đŸs, æ, Æ, «, Ě, àŽg, ç, Ů, ·ŸB

HP

DeskJet f4500 series printer software, đ<N“® , ., é, Ě, ĨAHP  
DeskJet f4500 series printer software  
%oŸfŸOf<ŸŸfv, ĨHP  
DeskJet f4500 series printer software, đf\_fuf<fNfŠf  
bfN, μ, Ů, ·ŸB  
fvfŠf“f^fŸfŸf...ŸŸŸ  
flfvfVfŸf“fŸfŸf...ŸŸŸ  
fŸf“fefŸf“fXfŸŸfŸf...ŸŸŸ  
fefXfgfŸŸfŸf...ŸŸŸ  
fwf<fvfŸŸfŸf...ŸŸŸ  
fvfŠf“f^fXfeŸŸf^fXf{fŸfNfX  
fLfff“fZf<f{f^f“

HP DeskJet f4500 series printer software

**fvfŠf“f^f□fjf...□[**

fvfŠf“f^f□fjf...□[,í□APC,É□Ú'±,³,ê,Ä,ç,é,·,×,Ä,ìDeskJetfvfŠf“f^,ðfŠfXfg,μ,Û,·□B





fLfff“fZf·f{f^f”

CE»Ÿ,í^óüfWfufu,đ'†Ž~,·,é,Æ,«,ÉŽg—p,μ,Û,·B

Ā“K,ĒfvfŠf“f^,ìŸ’è

^óü«”\,ìĒüã

fvfŠf“f^,ì^óü’-“x,“,æ,Ń’S’ì,ì^óü«”\,ìĒ%º,ì-v’f,É,æ,è  
%ºe<¿,đŽó,~,Ü,·B

PC,ìRAM,ì-e—Ē,É,æ,è•ŸŸ’,āfvfŠf“f^,Ö’—  
,ç,ê,é’-“x,đĒ^’è,μ,Ü,·BPC,ìRAM,ì-e—Ē,đ’â,·,Æ,±  
,ì’-“x,āŸ,·,Æ,Æ,à,É^óü’t,É’¼,ìŽdŽ-,đ,·,é,Æ,«,ÉPC,ā,æ,èĒø—  
!“l,É”@Ÿì,·,é,æ,æ,É,È,è,Ü,·B

fvfŠf“f^fhf%ofCfo,É,æ,è^óü•iŽ¿,ā,â,«,ŸŸ%ºE,³,ê,Ü,·BŽg—  
p,μ,Ä,ç,ēfvfŠf“f^,É’Í%ºž,μ,½fvfŠf“f^fhf%ofCfo,ìĀV”Ā,đŽg—  
p,μ,Ä,ç,é,±,Æ,đŠm”F,μ,Ä,-  
,¾,¾,çBWindows,ìfRf“fgfŸŸ[f<fpfŸ,ìfvfŠf“f^fAfCfRf”,đf\_fuf<fNfŠfbfN,  
μĀ’g,Ÿž,Ü,ê,½fvfŠf“f^,ìfŠfXfg,©,çSY“-·,ēfvfŠf“f^,đ’l’đ,μ,Ü,·BŽg—  
-p,μ,Ä,ç,ēfhf  
%ofCfo,ìfoŸ[fWfŸ”,đŠm”F,·,é,É,ìĀŸ’è,đfNfŠfbfN,μ,Ü,·BColorSmartf  
\_fCfAfŸŸOf{fbfNfX,ìf^fCfŸf<foŸŸ,ì’t,ÉfoŸ[fWfŸ”,ā\Ž¿,³,ê,Ü,·B

•ŸŸ’,ì’â,«,³,Æ•jŽG,³,ì^óü«”\,É%ºe<¿,μ,Ü,·BfOf  
%ofTfBfbfNfX,ì•ŸŸ’,ìĀ’ĒifefLfXfg,¾,~,ì•ŸŸ’,æ,è^óü,ā’x,,É,è,Ü,·B

PC,ìŸ^—Ÿ’-“x,É,æ,èĀ•ŸŸ’,āfvfŠf“f^,Ö’—  
,ç,ê,é’-“x,āĒ^,Ü,è,Ü,·B—  
á,ì,ìfyf“fefBfAf€fvfŸfZfbfT”<ŸŸ,ìPC,ì486fvfŸfZfbfT”<ŸŸ,ì,à,ì,æ,è’-“x,  
ā’-,È,è,Ü,·B

“~Žž,É’½Ÿ”,ìŸ  
ftfgfEfFfA,đŽĀs,·,é,Æ^óüŽžŠŌ,ā,©,©,è,Ü,·B,±  
,ê,ìfAfvfŠfPŸŸ[fVfŸ”,āPC,ìRAM,đĀ”i,μ,Ä,ç,é,½,ß,Ā,·B^è“x,ÉŠJ,-  
fAfvfŠfPŸŸ[fVfŸ”,ā•ŸŸ’,ìŸ”,đŸŸĒĒ,μ,Ä,,¾,¾,çB

fXfNfŠŸŸ[f“ftfHf“fg,ìRAM,É•ŸŸ’,³,ê,Ü,·B,±  
,ê,É,æ,èŸŸf,š,đĀ”i,μ,Ä,ç,é,ì,ĀĀ, ,Ü,èŽg,í,É,çfXfNfŠŸŸ[f“ftfHf“fg,āfv  
fŠf“f^ftfHf“fg,ìŸŸœ,μ,Ä,,¾,¾,çB

Å“K,ĚvfŠf“f^,ìY’è

fvfŠf“f^fhf%ofCfo,ìfAfbfvff[]fg

fqf...[]fĚfbfgfpfbj[]fh,íA•s’èŠú,È,<sup>a</sup>,çvfŠf“f^fhf  
%ofCfo,ìfo[]fWf#“fAfbfv,ðŽÀŽ{,μ,Ä,“,è,Ü,·B,±  
,ê,ç,ìfo[]fWf#“fAfbfv,É,íA•s<i[]#,ìC<sup>3,3/4,</sup> ,Å,È,[]A<@“\,ð’Ç  
%oA,<sup>3,1,1/2,</sup>à,ì[]AfpftfH[]f}f“fX,ðĚü[]ã,<sup>3,1,1/2,</sup>à,ì,Æ,È,é,±,Æ,<sup>a</sup>, ,è,Ü,·  
B[]Å[]VfvfŠf“f^fhf%ofCfo,ì“üŽè•û-@,íA-  
{fvfŠf“f^,ìft[]fU[]fyfKfCfh,ð,<sup>2</sup>—, ,<sup>3/4,</sup><sup>3,</sup>ç[]B

Å“K,ÉfvfŠf“f^,ìY`è

# fGfRfmftf@[fXfgf,[fh,ìŽg—p

fGfRfmftf@[fXfgf,[fh,ífhf%oftfg•iŽ,ì^óü,ðs,ç,Ü,·B,±  
,ìf,[fh,Å,íAfmm[f}fç,[fh,âfxXfgf,[fh,æ,è,à^óü“x,â’—,-  
,É,è,Ü,·B,Ü,½,±,ìf,[fh,ðŽg,æ,ÆfCf“fN,ìŽg—p—É,ª,È,È,è,Ü,·B

fGfRfmftf@[fXfgf,[fh,íA•‘ÉŽ†,ðŽg—p,·,é,Æ,«,ì,Ý—LCEø,Å,·B

**Note:** fJf%oo[.ì•¶‘,Åfhf%oftfg^óü,ðs,æ  
,Æ,«,íAfGfRfmftf@[fXfgf,[fh,ð‘l’ð,µAufOfCE[fXfP[f<  
,Å^óüüv,ðf`fFbfN,µ,Å,,¾,¾,çBfff  
%o[.ì,ä,í,è,ÉOfCE[fXfP[f<,ðŽg,æ,Æfhf%oftfg,ì^óü,â’—,-  
,É,è,Ü,·B

Å“K,Évfšf“f^,ìY’è

# Ž © “ ® ,Æf}fjf...fAf<,ìColorSmartfIfvfVf†f“

ColorSmartf\_fCfAf\_fOf\_{fbfNfX,lf}fjf...fAf<fIfvfVf†f“ ,đ’l’đ,·,é,± ,Æ,É,æ,è Afn [ftfg [f“ A-¾,é,¾A, ,æ,Ñfjf %o [ [ \$ CEä, ì Še Y’è, ã, Å, «, Ü, · B

## Ž © “ ®

,·,×,Ä,ì·¶,É’î,μ,·,·,·,β,·,é Y’è,Å,·B,± ,lfIfvfVf†f“,ìColorSmart<Zp,É,æ,è AfefLfxfg AfOf %oftfBfbfNfX,Æ,à,É Afn [ftfg [f“ A-¾,é,¾A, ,æ,Ñfjf %o [ [ \$ CEä, ð Ž © “ ® “l,É Å“K,É Y’è,μ,Ü,·B

### ▶ Ž © “ ®, ÅColorSmart, ð Y’è, ·, é B

ColorSmartf\_fCfAf\_fOf\_{fbfNfX,ÅŽ © “ ® ,đ’l’đ,·,é B

ColorSmartf\_fCfAf\_fOf\_{fbfNfX

## f}fjf...fAf<

,±,lfIfvfVf†f“,đ’l’đ,·,é,Æ AfefLfxfg AfOf %oftfBfbfNfX,Æ,à,É Afn [ftfg [f“ A-¾,é,¾A, ,æ,Ñfjf %o [ [ \$ CEä, ì Y’è, ã}fjf...fAf<,Å,·,±,É,ì,Ü,·B

### ▶ f}fjf...fAf<, ÅColorSmart, ì Y’è, ð, “, ±, È, ¶ B

1 ColorSmartf\_fCfAf\_fOf\_{fbfNfX,Åf}fjf...fAf<,đ’l’đ,μ,Ü,·B

2

fIfvfVf†f“f{f^f“,đ’l,ñ,ÅColorSmartfIfvfVf†f“f\_fCfAf\_fOf\_{fbfNfX, ð·\Ž,¾,¹,Ü,·B

ColorSmartfIfvfVf†f“f\_fCfAf\_fOf\_{fbfNfXf{fbfNfX

3 Žg—p,·,é Cf“fN,ì—Ê,đ²β,·,é ê¶ A-¾,é,,·,é,É,ì-¾,é,¾ Y’è,lfXf%ofCf\_ [ ,ð¶,É (Cf“fN—Ê) A“Z, ì ^ Å, ¶j,·,é,É,ì %oE,É (Cf“fN—Ê’â) “ ®, ©, μ, Ü, · B

4 fn [ftfg [f“, Å, í Afpf^ [f“, ,é,ç, í ŠgŽU ,đ’l’đ,μ,Ü,·B

5 fjf%o [ [ \$ CEä, Å, í Afrf rfbfhfjf%o [ [ A, ,é,ç ,lf}fbf`fxfNfš [f“,đ’l’đ,μ,Ü,·B

Ā“K,ĒfvfŠf“f^,ìŸ’è

fjf%oo[ ^ ó ü,Æf,fmfNf[ ^ ó ü

HP DeskJet850CfvfŠf“f^,íAfjff%oo[ ^ ó ü,ª%oĀ“\  
,ĒfAfvfŠfP[fVf#f“,đŽg—p,μ,Ā,ç,éèè#Af,fmfNf,Ā,àjfj  
%oo[ ,Ā,à ^ ó ü,·,é,±,Æ,ª,Ā,«,Û,·B

fjf%oo[ ,Ā ^ ó ü,·,é,É,íAfAfvfŠfP[fVf#f“,ì ^ ó üf\_fCfAf[fOf{fbfNfX,Ājfj  
%oo[ ^ ó ü,đ'ì'đ,μ,Û,·BWindows,©,çColorSmartfvfŠf“f^fhf  
%oofCfo,đ'ì'đ,μ,Ā,,¾,¾,çB

ColorSmartflfvfVf#f“  
f\_fCfAf[fOf{fbfNfX

fjf%oo[ ,ì ^ ó ü·iž,íA,SŽí,ìfCf“fN[ifuf  
%oofbfN[AfVfAf“[AfCfGf[ Af}f[f“f^oj,đ ^ ó ü,·,éfy[fW,É,Ç,ì,æ,x  
,É”z’u,·,é,©,É,æ,è,Û,·BHP DeskJet  
850CfvfŠf“f^,íAColorSmart<Zp,É,æ,è·¶’ ,đ·ªí,μAĀ—Ç,ìjfj  
%oo[ [o—í,đ,·,±,É,ç,Û,·B

HP  
ColorSmartfvfŠf“f^fhf  
%oofCfo

fjf%oo[ ,ì·¶’ ,ì,đfOfCE[fXfP[f<,Ā ^ ó ü,·,é,±  
,Æ,É,æ,è[AŽžŠÒ,ÆfCf“fN,đβ-ñ,·,é,±  
,Æ,ª,Ā,«,Û,·BfOfCE[fXfP[f< ^ ó ü,É,·,é,Æ[Afj  
%oo[ ,ì”Z’W,ªfOfCE[ ,ì”Z’W,Ā·\CE»,¾,é,Û,·Bjfj  
%oo[ ,ì·¶’ ,đfOfCE[fXfP[f<,Ā ^ ó ü,·,é,É,íAColorSmart,ìf\_fCfAf[fOf{  
fbfNfX,ĀfOfCE[fXfP[f<,Ā ^ ó üf`fFfbfNf{fbfNfX,đf`fFfbfN,μ,Û,·B



pžt,ì'ò

# OHPftfBf<f€,ì^óü

OHPftfBf<f€,ì^Á•Ê,ÈŽæ,è^μ,ç,ª•K—  
v,Á,·□BColorSmartf\_fCfAf□fOf{fbfNfX,Á,ìY'è,É,æ,è□A^óü•iŽ,ª•ì,í,  
è,Ü,·□B

► **OHPftfBf<f€,ì^óü**

- 1 HPfvfCEf~fAfeOHPftfBf<f€,ìfUf%ofUf%o,μ,½-Ê,ð  
%oo,É□Afe□lfv,ì, ,é•ù,ð□æ,É,μ,ÄfgfCEfC,ÉfZfbfg,μ,Ü,·□B

—pžt,ìfZfbfg

HPfvfCEf~fAfeOHPftfBf<f€,ì□A,±,ìHP DeskJetfvfŠf“f^—p,ÉŠj”-  
,³,è,½,à,ì,Á,·□B

- 2 ColorSmartf\_fCfAf□fOf{fbfNfX,ðŠj,ç,Ä^È%oo,ìY'è,ð□s,Á,Ä,-  
,¾,³,ç□B

ColorSmartf\_fCfAf□fOf  
{fbfNfX

Ž©“®,ð'ì'ð,μ,Ü,·□B

^óü•iŽ,ìfxfXfg,ð'ì'ð,μ,Ü,·□B

^óü,ìCEü,«,É,Á,ç,Ä□A□c,Ü,½,ì%oi,ð'ì'ð,μ,Ü,·□B

^óü•“□”,ðf^fCfv, ,é, ©□ä%oo,ì-ì^ó,ðfNfŠfbfN,μ,Ü,·□B

□Á□lfy□lfW,©,ç^óü, ,é,É,ì^óü□#□~f`fFfbfNf{fbfNfX,ðf`fFfbfN,μ,Ü,·  
□B^óü,ª□ì,í,é,Æ□Á□%o,lfy□lfW,ª□æ“ª,É,È,è,Ü,·□B

—pžt,ìží—pfvf<f\_fEf“fŠfXfg,ÁOHPftfBf<f€,ð'ì'ð,μ,Ü,·□B

HPfvfCEf~fAfe□è—  
pžt,ì^óü

—pžtftfCfyfvf<f\_fEf“fŠfXfg,ÁA4,Ü,½,ìfCEf^□[.ð'ì'ð,μ,Ü,·□B

- 3 OKf{f^f“,ð'ì'ð,μ,Ü,·□B

fvfŠf“f^,ìOHPftfBf<f€,ð□o—ì, ,é-

^,ÉŽ©“®“ì,ÉŠ£‘žžšÓ,ð,Æ,è,Ü,·□B^óü,ð'±

, ,é,É,ìfvfŠf“f^,ì'O-È,ìfCEfwf...□lfef{f^f“ □,ð%oÿ,μ,Ü,·□B

□Á—ç,ìjff%o□[^óü,ì•iŽ,ð•Ü,Á,É,ì□AftfBf<f€

,ð^óüCEã10□`15•ªšÖ, ,ç,Ä,©,ç•ÜCEì'Ü,É“ü,è,é,æ,π,É,μ,Ä,-  
,¾,³,ç□B□\•ªš£‘ž,³,¹,è,ì%oo~,è,â“p□F,ª“ð, ,ç,è,Ü,·□B



pŽt,l'í'đ

••“>,ì^óü

<<ŽtfgfCfC,É^è“x,ÉfZfbfg,Á,«„é••“>,í15-†,Ü,Á,Á,·B,Ü,½AŽè,μ  
—pŽtftfB[f\_đŽg,Á,Äi<<ŽtfgfCfC,©,ç—pŽt,đŽæ,èœ,©,É,ç  
,Áj••“>,đ1-†—,é,±,Æ,ª,Á,«„Ü,·B

fjXf^feftfCfY—  
pŽt.l'í'óü

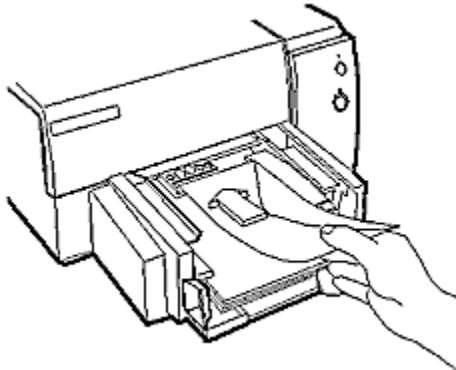
Žè,μ—pŽtftfB[f\_Žg—pŽžA••“>,Æ—pŽt,ÉCEđCEY,É^óü,·,é,±  
,Æ,ª,Á,«„Ü,·B,±,ì<@“\,í•‘ÉŽt,Æ••“>,đ'±,·,Ä^óü,·,é,Æ,«„É-đ,É—  
š,ž,Ü,·B

**Note:** Å—Ç,ì^óü•ižž,đ“¾,é,Æ,Æ,à,ÉAfy[fpfB[fhf[f%  
,É••“>,đ<l,Ü,ç,¹,É,ç  
,½,β,É,íAft[fU[fYfKfCfh,É<LÚ,³,è,Ä,ç,é—  
pŽtCEú,í••“>,đŽg—p,μ,Ä,¾,³,çB

► Žè,μ—pŽtftfB[f\_đŽg,Á,Ä••“>,đ^óü,·,éB

- 1 Žè,μ—pŽtftfB[f\_đ¶  
%oE,É^Ú“®,³,¹A••“>,í•,É¶,í,¹,Ü,·B
- 2 ••“>,đŽè,μ—pŽtftfB[f\_,lfXf[fbfg,ÉA^óü-É,đ  
%oo,É,μ,Ä^É,«“-½,é,Ü,Ä,μžž,Y,Ü,·B

—pŽt.lfZfbfg

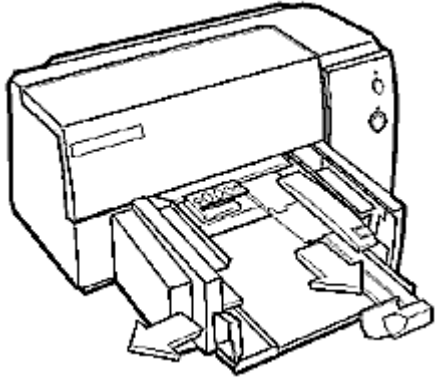


- 3 •K—v,É%ž,¶,ÄŽè,μ—pŽtftfB[f\_đÄ,Ñ^Ú“®,³,¹A••“>,ì  
%oE'[,ª<<ŽtfgfCfC,ì%oE'x,É,»è,x,æ,x,É²®@,μ,Ü,·B

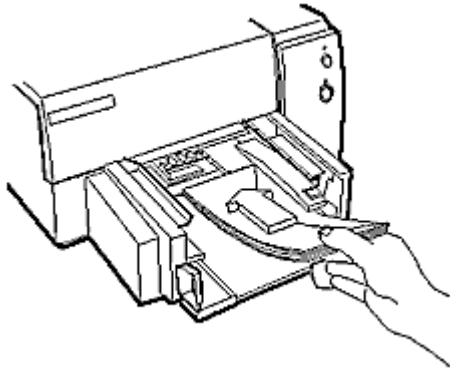
- 4 fvšf“f^fhf%ofCfo,ì^óü¶Y'è,đA••“>,ižž—  
pAftfCfY^A^óü•úCEü,É¶,í,¹,Ü,·BŽè,μ—pŽtftfB[f\_đ  
%oE,Ü,½,í¶,É“®,©,μ,ÄA••“>,í•,É¶,í,¹,Ü,·B

► <<ŽtfgfCfC,đŽg,Á,Ä••“>,đ^óü,·,éB

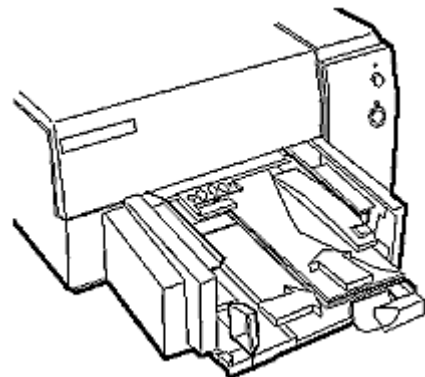
- 1 —pŽt•¶²®fCfo[f\_đ^Ú“®,³,¹A^è“ÔŠO'x,Ü,Ášg,°,Ü,·B



- 2 —pŽt', 3'2 @fCefo [ , δ ^ ø , « □ o , μ □ A « Ž t f g f C e f C , © , ç , , x , Ä , l — p Ž t , ð Ž æ , è □ œ , « , Ü , · □ B
- 3 □ Å ' å 15 - † , Ü , Å , l • • " > , ð Ž æ , è □ o , μ □ A • • " > , l ' Z • Ó , ð • ½ , ç , È - Ê , l □ ä , É — š , Ä , Ä C y , , ½ , ½ , « □ A , æ , ' μ , l , Ü , · □ B
- 4 « Ž t f g f C e f C , É • • " > , δ ^ ¶ - ¼ , l - Ê , ð % ° , É , μ , Å □ i , Ó , ½ , l • " • a , ð □ ä , É , μ , Ä □ j , É ' u , « , Ü , · □ B



- 5 • • " > , l □ Ü , è - Ü , l , , é , Ó , ½ , l ' [ , a « Ž t f g f C e f C , l % ° E ' α , É , » , è , Ä , Ä , ç , é , ± , Æ , ð š m " F , μ , Ü , · □ B
- 6 —pŽt' • ' 2 □ @fCefo [ , ð □ A • • " > , l □ ¶ ' [ , Æ ^ ê ' v , , , é , Ü , Å % ° E , Ó , , , ç , μ , · □ B



- 7 —pŽt', 3'2 @fCefo [ , ð • • " > , l • û , Ö □ A Ž ~ , Ü , é , Ü , Å % ° Ÿ , μ □ ž , Ý , Ü , · □ B

••“>,ª<<ŽtfgfCEfC,ì't,Å”g,đ,α,Á,Ä,ç,È,ç,±,Æ,đŠm”F,μ,Û,·□B

- 8 ColorSmartf\_fCfAf□fOf{fbfNfX,Å□A—pŽt,ìŽí—p,Æ—  
pŽtftfCfY,đ□AfvfŠf“f^,ÉCE»□ÝfZfbfg,³,è,Ä,ç  
,é••“>,ìftfCfY,É□Ý’è,μ,Û,·□B



**pŽt,ì'ò**

# fjXf^f€TfCfY—pŽt,ì'óü

fjŠf“f^,ª•W€€,Á'í%ž,.,é—pŽt,ìfTfCfY,ªAŽg—  
p,µ,½,¢fTfCfY,Æ±,í,È,¢ê±AColorSmartf\_fCfAf\_fOf{fbfNfX,©,çŽ  
©—R,ÉfTfCfY,đ'è<.,,é,±,Æ,ª,Á,«,Ü,·B

—pŽt,ìfZfbfg

••“>ì'óü

HP DeskJet850CfvfŠf“f^,ì<ŽtfgfCfC,É,íA—pŽt',Æ—  
pŽt•,đŠÈ'P,É'²@,Á,«,éCfo[ª,è,Ü,·B—  
pŽt•,í100mm`216mmA—pŽt',í148mm`356mm,ì"í'í,Á,·B

**Note:** A—C,ì'óü•iž,đ“¾,é,Æ,Æ,à,ÉA<Žtff%o,ìŽt<ì,Ü,è,đ-  
h,®,½,ßAZŽ,ìd,³,ì—pŽt,đŽg—p,.,é,±,Æ,đ,,.,ß,µ,Ü,·B

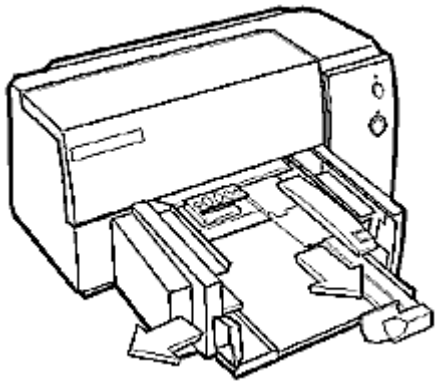
•'ÉŽtF60`135 g/•½•ûffgf<

••@“>F75`90 g/•½•ûffgf<

fjfhF110`200 g/•½•ûffgf<

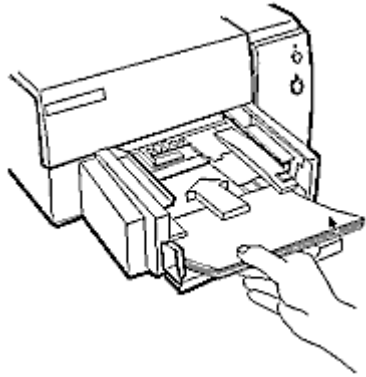
## ► fjXf^f€TfCfY,ì—pŽt,ì'óü

- 1 ColorSmartf\_fCfAf\_fOf{fbfNfX,ÁfjXf^f€f{f^f“,đ'ì'ò,µ,Ü,·B  
fjXf^f€—pŽtTfCfYf\_fCfAf\_fOf{fbfNfX,ªC»è,Ü,·B
- 2 □³,µ,¢'P^Éifffgf<^fCf“f”j,ª'ì'ò,³,è,Ä,¢,é,±  
,Æ,đŠm”F,µ,Á,,¾,¾,¢B
- 3 —pŽtTfCfY,ì%º,É, ,éA•,Æ'·,³,ìftBff<fh,ÉŽg—p,.,é—  
pŽt,ì•,Æ'·,³,đ“ü—ì,µ,Á,,¾,¾,¢B
- 4 OK,đfNfŠfbfN,µ,Ü,·B
- 5 —pŽt•fCfo[ª,Æ—pŽt',³²@fCfo[.đ,¢,Á,ì,¢  
,Ü,ÁŠg,°,Ü,·B



- 6 <<ŽtfgfCfC,ì%ºE'ª,É%º^,ª,æ,ª,É—  
pŽt,đ19mm,đ',ì,È,¢,³,ì"í'í,ÁA^óü—È,đ%º,É,µ“È,«—

, ½, é, Ü, Å } "ü, μ, Ü, · □ B



7 —pŽt, ì' l, É, «, ï, ñ, ÆftfBfbfg, , é, æ, x, É □ A' · , ³, " , æ, Ñ • □, ì—  
pŽt'² □ @ fCEfo □ l, ð □ Y' è, μ, Ü, · □ B

8 ^ ó ü, ì □ € " ö, ² □ @, Á, ½, ç □ Af Afvf Š fP □ [fvf#f", ìftf@fCf<f□ffj...  
□ l, ì ^ ó □ ü f\_fCf Af □ fOf {fbfNfX, ©, ç □ AŽg—p, , é—pŽt, ìŽí—  
p □ AfTfCfY □ A ^ ó □ ü, ì □ Eü, «, È, Ç, ð □ Y' è, μ, Ü, · □ B

—pŽtftfCfY, ì □ Ú □ ×, É, Å, ç, Ä, Í □ Af+ □ [fU □ [fyf} fjjf... fAf<, ð Ž Q □ Æ, μ, Ä, -  
, ¾, ³, ç □ B



pžt,ì'í'ö

# HPfvfCEf~fAf€□ê—pžt,ì^ó□ü

•¶□',ì-Ú"l,Æ-v<□•ižž,É,æ,è□A^ó□ü,Éžg—p,·,é—pžt,ìží—  
p,²CE^,Ü,è,Ü,·□BColorSmartf\_fCfAf□fOf{fbfNfX,Á'l,ñ,¾—pžt,ìží—  
p,²□AfvfŠf" f^,ÉfZfbfg,μ,½—pžt,É□±,Á,Ä,ç,é,±,Æ,ðŠm" F,μ,Ä,-  
,¾,³,ç□BfvfŠf" f^fhf%ofCfo,í'í'ð,μ,½"}'ì,ìží—  
p,É□±,í,¹,Äfy□[fW,É^ó□ü,·,éfCf" fN,ðfRf" fgf□□[f<,μ,Ü,·□BColorSmartf\_f  
CfAf□fOf{fbfNfX,Á'l'ð,μ,½—pžt,ìží—  
p,Æ^U,É,é□ê□±,É,í□A^ó□ü•ižž,²'á%º,μ,Ü,·□B

.....  
—pžt,ìfZfbfg

► —pžt,ìží—p,ð'í'ð,·,é□B

- 1 ColorSmartf\_fCfAf□fOf{fbfNfX,ðŠ},ç,Ä□A—pžt,ìží—  
p,ìfŠfXfgf{fbfNfX,Á%ºCEü,«,ì-ì^ó,ðfNfŠfbfN,μžg—p%ºÁ" \,É—  
pžt,ìží—p,ð•\žž,³,¹,Ü,·□B

.....  
ColorSmartf\_fCfAf□fOf  
{fbfNfX

, ,é,ç,í

TABfL□[,ð%ºÿ,μ,Ä—pžt,ìží—pŠfXfgf{fbfNfX,ðfnfCf  
%ofCfg,³,¹□AALT(GRPH)+%ºCEü,«-î^ó,ð%ºÿ,μ□A—pžt,ìží—  
p,ð•\žž,³,¹,Ü,·□B

- 2 ^ó□ü,Éžg—p,·,é—pžt,ìží—p,ðfNfŠfbfN,μ,Ü,·□B

, ,é,ç,í

-î^ófL□[,ð%ºÿ,μ,ÄCE»Ý,ì^ó□üfWf±fu,É□±,«—pžt,ìží—p,ðfnfCf  
%ofCfg,³,¹,Ü,·□B

•□'Éžt - f{f"fhžt□Afrfs□[—pžt□A,í,²,«□A, ",æ,Ñ••">

HP OHPftfBf·f€ - □ê—pOHPftfBf·f€,Ö,ìfj  
%□[,Ü,½,ìf,fmfNf^ó□ü—p□B2-  
±^É□ä^ó□ü,·,é□ê□±□AfvfŠf" f^,í,P-±^ó□ü,·,é,²,Æ,ÉfCf" fN,ðŠÉ  
,©,¹,é,½,ß,É□"•²ŠÓ'Ó,ž,Ü,·□B

HP OHPftfBf·f€(f|□[fy□šCEä•t,«) -  
ž¼"x,²□,ç□ê□±□AftfBf·f€□ä,ìfCf" fN,ìšÉ,«,í'x,-  
,É,è,Ü,·□BfvfŠf" f^,í,P-  
±^ó□ü,·,é,²,Æ,É'âž~ ,μ,Ü,·□B^ó□ü,ð□ÄŠ),·,é'O,É"ržtfgfCEfC,©,  
çftfBf·f€,ðžæ,è□o,μ,Ä,-  
,¾,³,ç□B^ó□ü,ð□ÄŠ),·,é,É,ìf\_fCfAf□fOf{fbfNfX,ìOKf{f^f",ðfNf  
ŠfbfN,μ,Ä,,¾,³,ç□B

HPCEö'òžt - fjj%□[,ì□o—í,É"K,μ,½□ê—pCEö'òžt□B2-  
±^É□ä^ó□ü,·,é□ê□±□AfvfŠf" f^,í,P-±^ó□ü,·,é,²,Æ,ÉfCf" fN,ðŠÉ  
,©,¹,é,½,ß,É□"•²ŠÓ'Ó,ž,Ü,·□B

HPCEö'òžt(f|□[fy□šCEä•t,«) -  
ž¼"x,²□,ç□ê□±□ACEö'òžt,ìfCf" fN,ìšÉ,«,í'x,-  
,É,è,Ü,·□BfvfŠf" f^,í,P-  
±^ó□ü,·,é,²,Æ,É'âž~ ,μ,Ü,·□B^ó□üfWf±fu,ð□ÄŠ),·,é'O,ÉfvfŠf" f^  
,ì"ržtfgfCEfC,©,ç—pžt,ðžæ,è□o,μ,Ä,-  
,¾,³,ç□B^ó□ü,ð□ÄŠ),·,é,É,ìf\_fCfAf□fOf{fbfNfX,ìOKf{f^f",ðfNf  
ŠfbfN,μ,Ä,,¾,³,ç□B

HPfvfCEf~fAf€fCf“fNfWfFfbfgê—pŽt -  
□,•iŽžf,fmfNf□,Ú,½,lfjf%□[□o—í—p,Å,·□B



pžt,ì'ì'ð

## fOfCE[fXfP[f<^óü

fjf%o[.ì•¶'ìfhf%oftfg"Å,ðfOfCE[fXfP[f<,Å^óü,.,é,±  
,Æ,É,æ,èŽžŠÓ,ÆfCf"fn,ìÁ"i,ªCEyCE,.,Å,«,Ü,·BfOfCE[fXfP[f<,Å,ìfC  
f[fW^—,Å,íAfjf%o[.ì"Z"x,ªfOfCE[.ì"Z'W,Å•\CE»,³,è,Ü,·B

► **fOfCE[fXfP[f<,Å•¶',ð^óü,.,éB**

ColorSmartf\_fCfAfOf{fbfNfX,ÅAufOfCE[fXfP[f<,Å^óüüv,ìf`fFfbf  
Nf{fbfNfX,ð'ì'ðif`fFfbfNj,μ,Ü,·B

ColorSmartf\_fCfAfOf  
{fbfNfX



pžt,ì'í'ð

fjf%oo[] ^ ó [] ü

í•ň,đfrfWf...fAf<,É•\Œ»,:.é[]ê[]#[]Afjf  
%oo[][,í<-í,Éfc[]f<,Æ,È,è,Û,·[]Bfjf%oo[][,đŒÉ  
%ooÉ"l,ÉŽg—  
p,:.ê,î[]A^ó[]ü•",ÉfCf"fpfNfg,đ—  
^,;[]ACE©,é[]l,É<>-i,đ^ø,<[]o,μ[]ACE©,½-  
Ú,à—Ç,[]Afvf[]•Ä,Ý,ìŒø%ooÉ,đ—^,;l,é,±  
,Æ,ª,Â,«,Û,·[]B

ColorSmart<Z[]p,Æ,í[]H

,ç,Â,Ç,±,Åfjf%oo[][,đŽg,ꝥ

,©

fjf%oo[][,ì'í,Ñ•û

pžt,ì'í'ð

fjf

%o□[ˆóü

# ColorSmart<Z□p,Æ,í□H

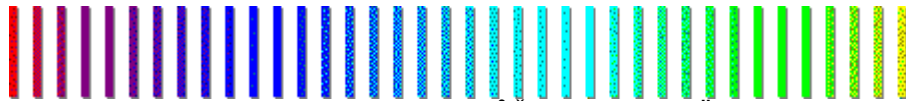
HP,ìColorSmart<Z□p,É,æ,è□,•ižì,ìfjf  
%o□[•□□',āšÈ'P,É^óü,Å,«,Ü,·□BColorSmart,í•□□',ðž©“®,Å•ā□í,μ□A  
^óü,·,é,Æ,«,É□Å□,,ì•ižì,ā“¾,ç,ê,é,æ,æ,Éfjf  
%o□[,ì□Ý'è,ðž©“®“ì,É,“,±,È,ç,Ü,·□B

ColorSmart<Z□p,í□A•□□',āfRf“fsf...□[f^,©,çfvfšf“f^,Ö'—  
,ç,ê,é□üf□f,š□ā,ì•□□',ðfXfLfff“,μ,Ü,·□B,»„ìCE<%oÉfy□[fW,ì,Ç,ì•“•a,a  
□AfefLfXfg,©□Afjf%o□[,ìCE©□o,μ,©□A'P□f,ÈfOf  
%oftfBfbfNfX,©□AfXfLfffi,É,æ,éžÉ□^fCf□□[fW,©□A,È,Ç,ðCE^,ß'í□Ü,ì  
ží•É,ðCE'^è,μ,Ü,·□BColorSmart,ìžÝ,É□Afvfšf“f^,ìfjf%o□[f}fbfv,ìf  
%ofCfuf%ofš□[,ð'T,μ□A,»„è,¾,è,ì'í□Ü,É%ož,¶,½□Å“K,Èfjf  
%o□[f}fbfv,ð'ì,Ñ,Ü,·□B

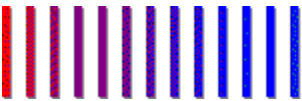
HP  
ColorSmartfvfšf“f^fhf  
%oofCfo

fjf  
%o□[•□□',ðfOfCE□[fXfP□[f<,Å^óü,·,é□é□#□AColorSmart<Z□p,í□Å“K,Èf  
n□[ftfg□[f“,Æ-¾,é,¾,ðCE^,ß□AfOfCE□[,ì“Z'W,Åfjf%o□[,ð•\CE»,μ,Ü,·□B

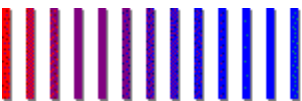
## ColorSmart,ìžg,ç•ú□B



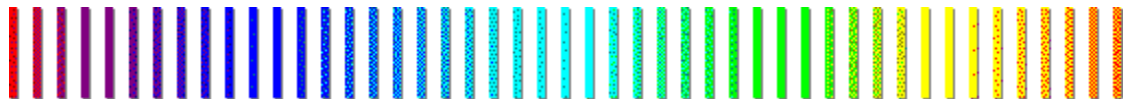
ColorSmartf\_fCfAf□fOf{fbfNfX,Åž©“®,ð'ì'ð,μ,Ü,·□B  
ColorSmart,í□A•□□',É□#,í,¹,Å□Å“K,Èfjf  
%o□[□Ý'è,ðž©“®“ì,É,“,±,È,ç,Ü,·□B  
ColorSmartf\_fCfAf□fOf{fbfNfX,Å□Af}fjf...fAf<flfvfVf#f“,ð'ì'ð,·,é,î□A,ç  
,Å,Å,àColorSmart,ìž©“®□Ý'è,ā'†ž~,·,é,±,Æ,ā,Å,«„Ü,·□B



ColorSmartf\_fCfAf□fOf  
{fbfNfX



ž©“®,Æf}fjf...  
fAf<,ìColorSmartflfvfVf  
#f“



pžt, l'í'đ

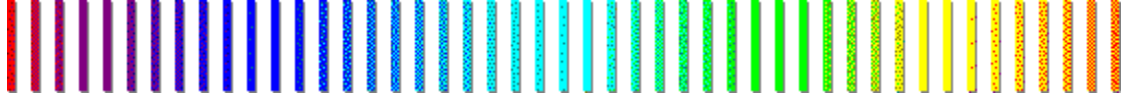
%o□[ ^óü

-úžý

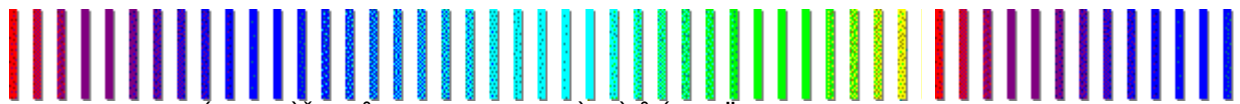
šeží-

fjf

, ç, Â, Ç, ±, Å, f, j, f, %o□[, ð, Ž, g, x, ©

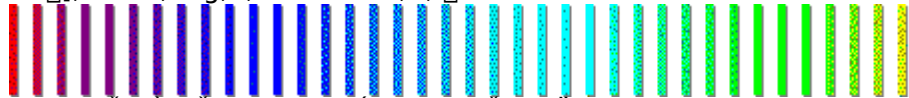


fjff%o□[, ðÆø%oÊ"l, ÉŽg—p, ·, ê, í□A□d—v, È□í·ñ, ðfnfCf  
 %ofCfg, <sup>3, 1, 1/2</sup>, è□A<'2, μ, 1/2, è, ·, é, ±, Æ, <sup>a</sup>, Å, «, Ü, ·□Bfjff%o□[, ðÆë, Á, Äžg—  
 p, ·, é, ÆÆ©, é□l, ð<C, ð, »ç, <sup>1</sup>, Å, μ, Ü, ç, Ü, ·□B, ±, ðfKfCfhf  
 %ofCf", ðŽQ□Æ, ð, x, ð□A ^óü·", ðfjff%o□[, Å<'2, μ, Å, Ý, Å, <sup>3/4, 3</sup>, ç□B

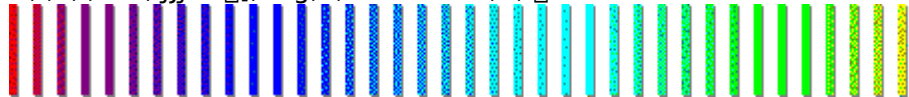


fjff%o□[, í□à-<sup>3/4</sup>, ðžè'i, Å, , è□A□ü, é, <sup>1/2</sup>, ß, ð, à, ð, Å, í, , è, Ü, <sup>1</sup>, ñ□B  
 , <sup>1/2, 3/4</sup>ü, é, <sup>3/4</sup>, -, ð, <sup>1/2</sup>, ß, Éfjff%o□[, ð' <sup>1/2</sup>—p, ·, é, Æ□A, » , ðÆø  
 %oÊ, ðž, , ç, ©, È, Ü, <sup>1</sup>, ñ□B  
 —á□F□'Ž@, ð, ·, a, ð·\, ·, ð, É□ü, áf{fbfNfX, ð'á, í, è, Éfjff  
 %o□[, ð" wÆi, ðžg, x, ÆÆø%oÊ"l, Å, ·□B

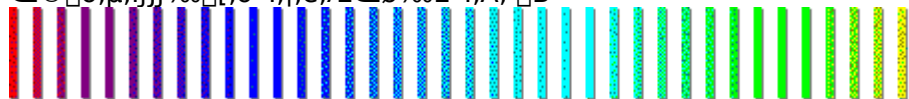
fjff%o□[, ð'í, Ñ·ú



Šú'Ó, ðží, ·, f, p, f ^□[f", Éfjff%o□[, ðžg, ç, Ü, ·□B  
 ^ê"x"□^è, ð, , é·\Æ»·ú-@, ð, Æ, Á, <sup>1/2</sup>, È, ç, í, » , è, ð'±, -, Ä, -  
 , <sup>3/4, 3</sup>, ç□B, à, μ, » , è, ©, çŠO, è, é, Æ, «, í□A, <sup>1/2, 3/4<'2</sup>, ð, <sup>1/2</sup>, ß, <sup>3/4</sup>, -, È—, ß, Ä, -  
 , <sup>3/4, 3</sup>, ç□B  
 —á□F·\, ð'±, Å, í□-Æv, ð<'2, ·, é, ð, È, , éfjff%o□[, ðžg, ç□A'□□Æv, ð<-  
 '2, ·, é, ð, È, ðfjff%o□[, ðžg, x, ÆÆø%oÊ"l, Å, ·□B

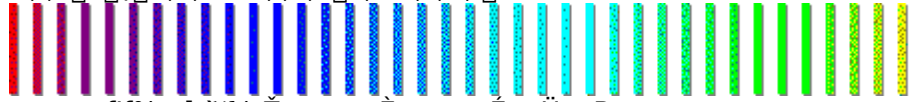


—pž—, ð□€-Ú, áŠT"O, ðfOf<□[fv%o», μ, <sup>1/2</sup>, è□A'SÆY, ðŠOÆW, ð·\  
 , μ, <sup>1/2</sup>, è, ·, é, ð, Èfjff%o□[, ðžg, ç, Ü, ·□B  
 , à, μfjff%o□[, Æ, » , ð'í-í, ÉŠO~A, Ä, -, <sup>1/2</sup>, ç, È, ç, í□A□□", ðfjff  
 %o□[, ð'í^ó□[, ð, ð, Åžg—p, μ, Å, , <sup>3/4, 3</sup>, ç□B  
 —á□F3□`4ží, ðžá—  
 v, ÉfgfsfbfN, ðŠÜ, ðfvfÆf[f"fe□[fvfj", Å, í□A□V, μ, çfgfsfbfN, Ö^Ú, é, Æ, «  
 Æ©□o, μ, ðfjff%o□[, ð·í, ð, é, ÆÆø%oÊ"l, Å, ·□B

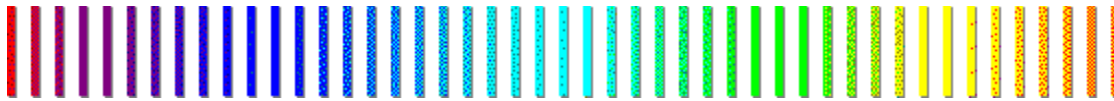


□·Ê%o», ·, é, <sup>1/2</sup>, ß, Éfjff%o□[, ðžg, ç, Ü, ·□B  
 ^è, Å, ðfCf□□[fw, ð'±, Å^Ú, È, é—v'f, ð<æ·Ê, ·, é, È, í·í", ðfjff

%o[ ,đŽg,čA,<sup>3</sup>,ç,ÉĈ©,â,·,<sup>3</sup>,đ  
%oü'P,·,é,<sup>1/2</sup>,β,É,łfCf[ [fW,łfTfCfY,đ'â,«,.,μ,Ü,·B  
—áF, ,é^ê,Â,ł-fOf%oft,ÉŠÜ,Ü,ê,é·;” ,łff  
%o[ [ff[ f^ ,đA'<sup>1/4</sup>,ł·;” ,ł-fOf%oft,łł'·ñ,ÆSÖ~A,Â,·,é,±  
,Æ,â,Â,«,Ü,·B,Ü,<sup>1/2</sup>,ł%~fOf%oft,ł, ,é·”·â,đ<-  
'<sup>2</sup>,·,éêê#A,»,ł·”·â,ł,Ý,ÉF,đ·t,·,Ü,·B



ff%o[ ,đ'<sup>1/2</sup>,Žg,č,·,·,È,ç,æ,α,É,μ,Ü,·B  
ff%o[ ,đŽg,č,·,·,·,È,ç,æ,α,É,·,é,±  
,Æ,É,æ,èAŽg,Â,<sup>1/2</sup>êê# ,łfCf“fpfNfg,đ'â,«,.,Â,«,Ü,·B  
—áF'n[ ] ,ł't,Â'n[ ] 'S'ł,Éff%o[ ,đŽg,α  
,æ,è,àASÖS,đŽ[ ,<sup>1/2</sup>,<sup>1'</sup>^Ó,đ^ø,«,.,Â,·,<sup>1/2</sup>,ç·”·â,ł,Ý,Éff  
%o[ ,đŽg,α·û,<sup>a</sup>,æ,èĈø%É“ł,Â,·B



pžt,ì'í'ð

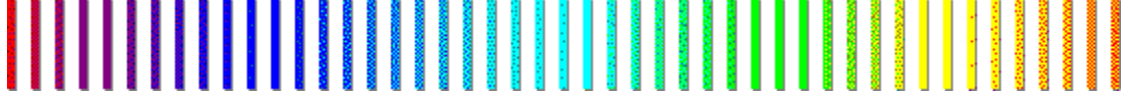
%o□[ˆóü

-ÚŽŸ

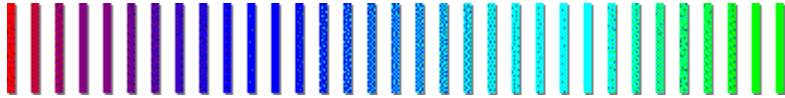
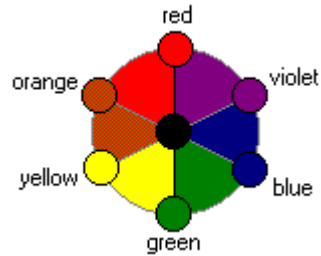
ŠeŽí-

fjf

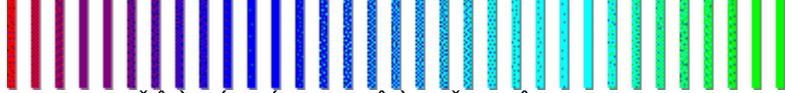
fjf%o□[,ì'í'ð



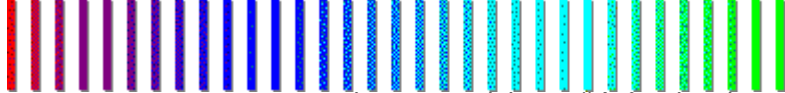
ˆóü,É“K□∅,Èfjf%o□[,ð'í,Ô,É,Í□Afff  
 %o□[,ì'ŠCEŸŠÓCEW,É,Â,ç,Ä,ÌŠî-{'mž˘,ª•K—v,Â,·□B□FŠÂ□i  
 %oE□}ŽQ□Æ□j,Í□F,ì'g,Ÿ□‡,í,¹,ð,x,Ü,,˘,±,È,x,½,ß,É-ð,É—  
 Š,ì,Ü,·□B



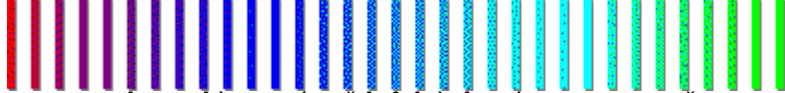
•¶□',ð“□ˆê,·,é,É,Í□FŠÂ,©,ç,P,Â,ì□F'Š,ð'í,Ñ,Ü,·□BfRfWf...  
 fAfç,ÉCE∅%oÉ,ð“¾,é,É,Í□A'í,ñ,¾□F,ì-¾^Â,ð•í%o»˘,¹,Ü,·□B



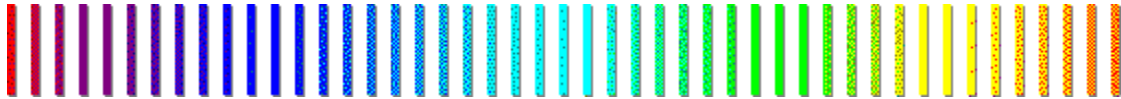
□FŠÂ,ìCEŸ,ç,É<ß,ç,Q,Â,ì□F'Š,ð'í,Ô,±  
 ,Æ,É,æ,è□A□Â,Æ—í,È,Ç,ì,æ,x,É'²~a,ð□¶,Ÿ□o,·,±  
 ,Æ,ª,Â,«,Ü,·□B



fRf“fgf%ofXfg,ð□¶,Ÿ□o,·,½,ß,É,Í□A□FŠÂ,ÂCEŸ,ç,É—f  
 ,ê,½fjf%o□[,ð'í,Ñ,Ü,·□B—á,í,Í□Ô,Æ%o©□A—  
 Í,ÆŽ‡,É,Ç,Â,·□B,³,ç,É“wCEi,É,Í^Â□F□A'OCEi,É,Í-¾□F,ðŽg—  
 p,μ,Ü,·□B

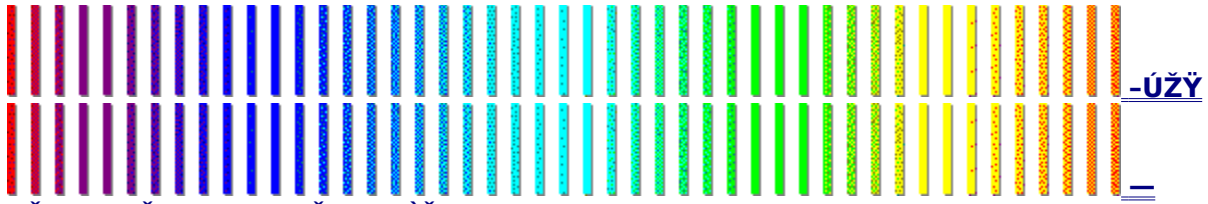


□Ô,Æ—í,ì,æ,x,É□FŠÂ,Â'í□ì^É'u,É,·,é,fjf%o□[,ðŽg,x  
 ,ì,í,˘,·,ß,μ,Ü,¹,ñ□B,μ,©,μ,±,ê,ç,ì^ê'g,ì•â□F,ì“Z“x,ð•í  
 %o»˘,¹□ACE∅%oÉ,ð□,,ß,é,Æ,ç,x•û-@,à,è,Ü,·□B



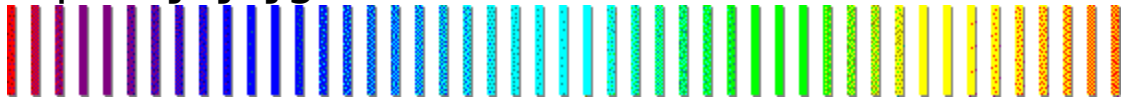
## □F'S

fff%o□[□i□F□Ê□j,Ü,½,í□F□Ê,ìfOf%off□[fVf#f",đ,³,μ,Û,·□Bfff%o□[,í□A□Ô□A—î□A□Â,È,Ç,ì□F'S,ì-  
¼'O,ÅÆÄ,Î,ê,Û,·□B



pžt,Æfvfšf“fgfj□fgfšfbfW,ìžg—p—@

—pžt,ìfZfbfg



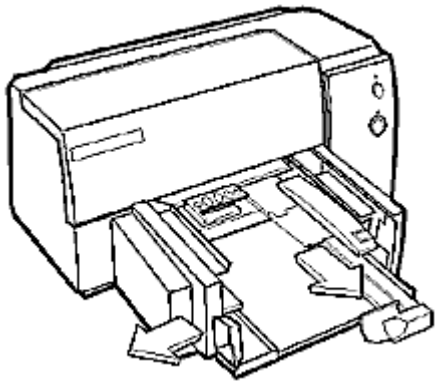
HP DeskJet850Cfvfšf“f^,í•□'Êžt,“,æ,Ñ,»,ì'¼,ì" }'ì,É^óü,·,é,±,Æ,ª,Å,«,Ü,·□B

<<žtfgfCfC,É—pžt,đ'Ç%Á,·,é,Æ,«,í□A<žtfgfCfC,©,ç,·,×,Ä,ì—pžt,đZæ,è□o,μ□A"~ží,ì—pžt,ì□V,μ,ç'©,Æ^ê□□,É,μ,Ü,·□B—pžt,ì'©,đ•½,ç,É-É,É-š,Ä,Ä'©,đ,»,ë,!,Ü,·□B<<žtfgfCfC,É,í^ê"x,É—pžt□A,í,ª,«□AOHPftfBf<f€,É,ç19mmCÉú,Ü,Ä□A••">,í15-ž,Ü,ÄfZfbfg,·,é,±,Æ,ª,Å,«,Ü,·□B

,P-ž,¾,~^óü,μ,½,ç□ê□ž,É,í□A<žtfgfCfC,©,ç,Ü,½,ìžè□,μ—pžtftfB□[f\_,©,ç^óü,·,é,±,Æ,ª,Å,«,Ü,·□B

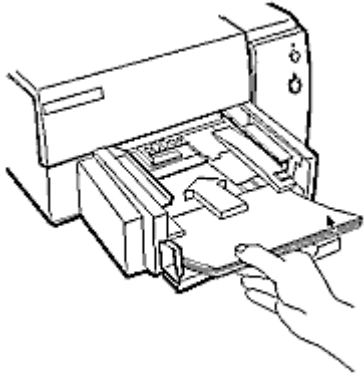
▶ 1 <<žtfgfCfC,É—pžt,“,æ,Ñ,»,ì'¼,ì" }'ì,đfZfbfg,·,é□B

žt•□'²□@fCfC□□[,đ□¶'[,Éšň,¹□Ažt',³'²□@fCfC□□[,đ^ø,«□o,μ,Ü,·□B



2 19mmCÉú,Ü,Ä,ì—pžt,ì'©,đ^óü-É,đ%º,É,μ,Ä<žtfgfCfC,É"É,«"-½,é,Ü,Ä"ü,ê,Ü,·□B

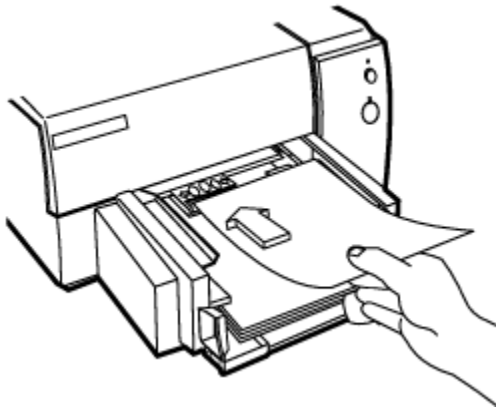
- fJfXf^f€fTfCfY—pžt,ì^óü
- ">,ì^óü
- HPfvfCf~fAf€□ê—pžt,ì^óü
- OHPftfBf<f€,ì^óü



3 Žt', 3'2 @fCefo [ , ð%Ÿ, µž, Y, Ü, ·B, ±, Ì, Æ, «—  
pŽt, a < ŽtfgfCfC, Ì't, Å, ½, í, ñ, Å, ç, È, ç, ±, Æ, ðŠm" F, µ, Ä, , ¾, ¾, çB

Žè·, µ—pŽtftfB [f\_ , ðŽg—p, µ, Ä—  
pŽt, ", æ, Ñ, », Ì'¼, Ì" }' Ì, ðfZfbfg, ·, éB

- 1 fZfbfg, ·, é—pŽt, Ì·, É, í, 1, ÅAŽè·, µ—pŽtftfB [f\_ , ð¶  
%oE, É^Ú" ®, µ, Ü, ·B
- 2 Žè·, µ—pŽtftfB [f\_ , ÌXf fbf, ÉA—pŽt, ð^óü-Ê, ð  
%oº, É, µ, Ä"È, «"- , ½, é, Ü, Å·, µž, Y, Ü, ·B



- 3 << ŽtfgfCfC, Ì%oE'x, É—pŽt, Ì%oE' [ , a, », è, x, æ, x, ÉAŽè·, µ—  
pŽtftfB [f\_ , ð'²B, µ, Ü, ·B
- 4 fvfŠf" f^fhf%oCfo, ÅA—pŽt, ÌŽí—  
P AfTfCfY A·ùCEü, ðY'è, µ, Ü, ·B





**-ÚŽŸ**

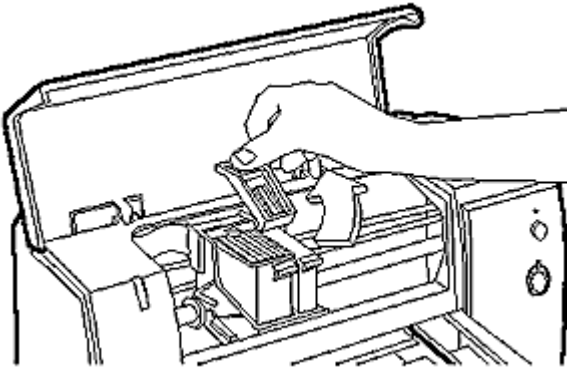
**—pŽt,ÆfvfŠf“fgfj□[fgfŠfbfW,ìŽæ—p-@**

# fvfŠf“fgfj□[fgfŠfbfW,ìŽæ,è•t,~

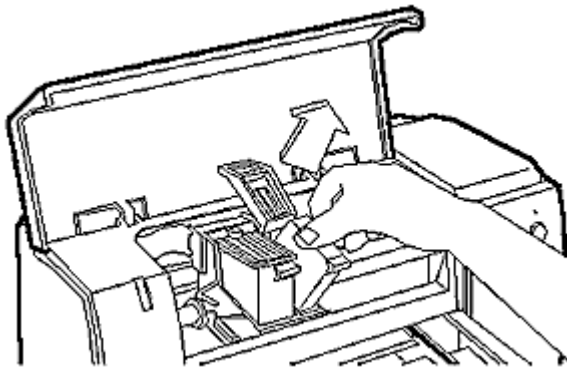
HP DeskJet850CfvfŠf“f^,É,í□•,Æfjf  
%□□[,ìfvfŠf“fgfj□[fgfŠfbfW,à•t'® ,μ,Ä,ç,Ü,·□B,±,è,ç,íÆðŠ,à,μ,-  
,ìNfŠ□[fjf“fO,à•K—v,É,È,é,Ü,Å□íŽŽæ,è•t,~,½,Ü,Ü,É,μ,Ü,·□B

**fvfŠf“fgfj□[fgfŠfbfW,ìŽæ,èŠO,μ**

- 1 “dCE¹f{f^f” □ ,ð%Ÿ,μ,Ä“dCE¹,ðfj”,É,μ,Ü,·□B  
“dCE¹f%of“fv □ ,à“ “”,μ,Ü,·□B
- 2 fvfŠf“f^,ìfgfbfvfjfo□[,ðŠj,~,Ü,·□B  
fvfŠf“fgfj□[fgfŠfbfWzf<f\_,àfvfŠf“f^,ì'+%□,Ö^Ú” ®,μ□AfŠfWf...  
□[f€f%of“fv □ ,à“ —Ä,μ,Ü,·□B
- 3 fvfŠf“fgfj□[fgfŠfbfW,ì—  
~,ì<à,ð^ø,«□ä,°□AfvfŠf“fgfj□[fgfŠfbfW,ì“a•”,ð,Ä,©,ñ,Å□AŽè'0  
,É^ø,,ÆfvfŠf“fgfj□[fgfŠfbfW,à,ä,é,Y,Ü,·□B

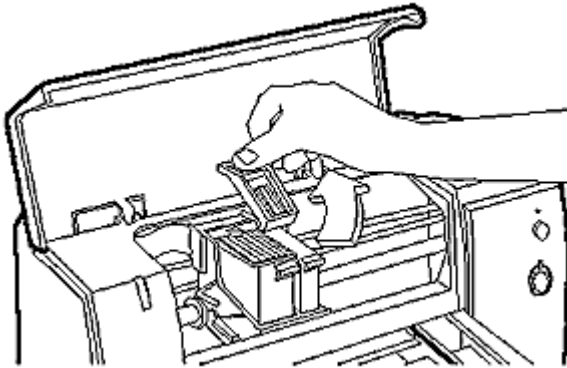


- 4 fvfŠf“fgfj□[fgfŠfbfW,ðzf<f\_,©,çŽæ,è□o,μ,Ü,·□B



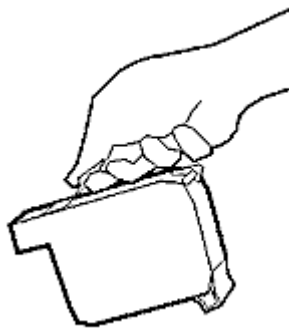
- 5 fvfŠf“fgfj□[fgfŠfbfW,à<ó,É,È,A,Ä,ç,½,ç”pŠü,μ,Ü,·□B
- fvfŠf“fgfj□[fgfŠfbfW,ìŽæ,è•t,~**
- 1 “dCE¹f{f^f” □ ,ð%Ÿ,μ,Ä□AfvfŠf“f^,ì“dCE¹,ðfj”,É,μ,Ü,·□B  
“dCE¹f%of“fv □ ,à“ “”,μ,Ü,·□B
- 2 fvfŠf“f^,ìfgfbfvfjfo□[,ðŠj,~,Ü,·□B

fvfŠf“fgfj[]fgfŠfbfWfzf<f\_ ,afvfŠf“f^ ,ì‘+‰>,É^Ú“ @ ,μ[]AfŠfWf...  
 [][f€f%of“fv ,a“ \_-Å,μ,Û,·[]B  
 3 fvfŠf“fgfj[]fgfŠfbfW—p— ,β<à,ð,Q,Â,Æ,àŠO,μ,Û,·[]B

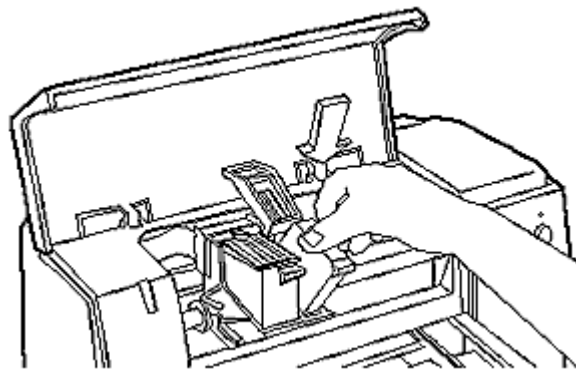


4 fvfŠf“fgfj[]fgfŠfbfW,ð•ì’•” ,©,çŽæ,è[]o,μ[]AfCf“fNfmfYf<,ð•ç  
 ,A,Â,ç,éfe[][fv,ð[]A,©,É”[] ,a,μ,Û,·[]B

**Note:** fCf“fNfmfYf<,â<à’ @ ,ì[]Ú“ \_ ,É,í[]G,ê,È,ç,Â,,¾,¾,ç[]B

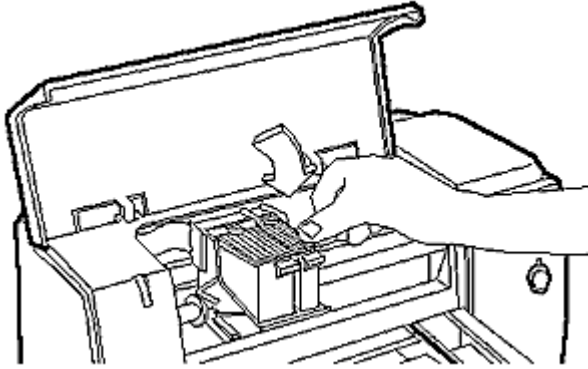


5 fvfŠf“fgfj[]fgfŠfbfW,ðfzf<f\_ ,É‰ÿ,μ[]ž,Ý,Û,·[]B



6 fvfŠf“fgfj[]fgfŠfbfW,ì—  
 ,β<à,ð, ,è,μ,Åfj[][fgfŠfbfW,ðCEÀ’è,μ,Û,·[]B

**Note:** fvfŠf“fgfj[]fgfŠfbfW,ì— ,β<à, ,Q,Â,Æ,àf[]bfN,¾,è,Ä,ç  
 ,é,±,Æ,ðSm”F,μ,Û,·[]B



7 fvfŠf“f^,ìfgfbfvj]fo□[.ð•Â,¶,Û,·□B  
 fvfŠf“fgf]□[fgfŠfbfWfzf<f\_,ª□ufz□[f€□vf]fWfVf#f“,É-  
 ß,è□A fŠfWf...□[f€f%of“fv □,ª□Á,ì,Û,·□B

**Note:**

,Q,Â,ìfvfŠf“fgf]□[fgfŠfbfW,ì,Ç,ì,ç,©,ªfCf“fN□Ø,è,É,È,Á,½□ê  
 □#□A<ó,ìfvfŠf“fgf]□[fgfŠfbfW,ðƐðŠ·,µ,Û,·□B□V,µ,çfvfŠf“fgf  
 J□[fgfŠfbfW,ª,É,ç  
 ,Æ,«,í□A<ó,ìfvfŠf“fgf]□[fgfŠfbfW,ðŽæ,è•t,¯,½,Û,Û,É,µ,Ä,¯,  
 ç,Ä,,¾,¾,¾,ç□B,±,è,ì,þ,«□o,µ,Æ,È,Á,Ä,ç,é“d<É,ì%~ ,è,ð-  
 hŽ~,·,é,½,ß,Â,·□B

fvfŠf“fgf]□[fgfŠfbfW,ì  
 Ž²□±,í,¹



 -ÚŽŸ

 -pŽt,ÆfvfŠf“fgfj[]lfgfŠfbfW,ìŽ²[]‡,í,¹

fvfŠf“fgfj[]lfgfŠfbfW,ìŽ²[]‡,í,¹



,ç,.,è,©,lfvfŠf“fgfj[]lfgfŠfbfW,ðŒðŠ·,μ,½,è[]V,μ,-  
fZfbfg,μ,½,è,μ,½,Æ,«,í[]AfvfŠf“fgfj[]lfgfŠfbfW,ìŽ²[]‡,í,¹,ª•K—  
v,Â,·[]B,±,è,É,æ,è[]•,Æfjf%[]l,lfCf“fN,ª[]AfeJfXfg,ì“~,¶f  
%[]ofCf“,à[]A“~,¶fOf%[]ftfBfbfN“à,Â[]A~A'±[]«,ð,à,Â,Â^è'v,·,é,æ,x  
,É[]³,μ,^óü,³,è,Ü,·[]BfvfŠf“fgfj[]lfgfŠfbfW,ìŽ²[]‡,í,¹,É,æ,è[]Afff  
%[][]l,Æ[]•,lfCf“fN,ð[]-,',é,±,Æ,ª[]È,,È,è[]A[]•,Æfjf  
%[][]l,lfCf“fN,Æ,ìŠÔ,lfXfy[]lfx,ð,ª[]-,³,,Â,«,Ü,·[]B



**fvfŠf“fgfj[]lfgfŠfbfW,ìŽ²[]‡,í,¹**

1 fvfŠf“f^,ì“dŒ¹,ªfif“,Â,è[]A“dŒ¹f%[]f“fv ÷,ª“\_““,μ,Ä,ç,é,±  
,Æ,ðŠm“F,μ,Ä,,¾,¾,ç[]B

2 HP DeskJetft[]lfeJfBfŠfeJfBfvf[]fOf%[]f€fOf<[]fv,ìHP  
DeskJetfXfe[]l^fXf,fjf^fAfCfRf“,ðf\_fuf<fNfŠfbfN,μ,Ü,·[]B

3 f[]f“fefif“fXf[]fjf...  
[]l,©,çfvfŠf“fgfj[]lfgfŠfbfW,ìŽ²[]‡,í,¹,ð'l'ð,μ,Ü,·[]B  
fvfŠf“f^,í[]A,Q,Â,ìŽ²[]‡,í,¹,fpf^[]lf“,ð^óü,μ,Ü,·[]B

4 %[]æ-È,ìŽwŽ!,É[]  
,Â,ÂfvfŠf“fgfj[]lfgfŠfbfW,ìŽ²[]‡,í,¹,ìŒ<%[]È,ð“ü—í,μ,Ä,,¾,¾,ç[]B



 -ÚŽŸ

 -pŽt,ÆfvfŠf“fgfj[]fgrfŠfbfW,ìŽg—p-@

# fvfŠf“fgfj[]fgrfŠfbfW,ìfNfŠ[]fjff“fO



^óü,µ,½fefLxf,âfOf%ftfBfbfNfX,ìü,âfhfbfg,ª”²,¯,Ä,ç  
,½,çfvfŠf“fgfj[]fgrfŠfbfW,ìfNfŠ[]fjff“fO,ð,“,±,È,Ä,Ä,-  
,¾,¾,ç[]BfvfŠf“fgfj[]fgrfŠfbfW,ìfNfŠ[]fjff“fO,ì[]AWindows,ìHP  
DeskJetfXfe[]f^fXf,fjff^,Ü,½,ìfvfŠf“f^‘O-Ê,ìf{f^f“,ðŽg,Á,Ä,“,±,È,æ,  
,±,Æ,ª,Ä,«,Ü,·[]B

**Note:** fvfŠf“fgfj[]fgrfŠfbfW,ìfNfŠ[]fjff“fO,ì[]A•K—v,È,Æ,«,ì,Ý,“,±  
,È,Ä,Ä,,¾,¾,ç[]BfvfŠf“fgfj[]fgrfŠfbfW,ìŽAZ{,ì[]AfCf“fN,ð[]A-  
Ö,·,é,ì,ÀfvfŠf“fgfj[]fgrfŠfbfW,ìŽö-½,ð[]k,ß,é,±  
,Æ,È,È,è,Ü,·[]B



HP

DeskJetfXfe[]f^fXf,fjff^,©,çfvfŠf“fgfj[]fgrfŠfbfW,ðfNfŠ[]fjff“fO  
,·,é,û-@[]B

- 1 HP DeskJetf[]f^fXf,fjff^fAfCfRf“,ðf\_fuf<fNfŠfbfN,µ,Ü,·[]B  
HP DeskJetfXfe[]f^fXf,fjff^,ª•\Žì,¾,è,Ü,·[]B
- 2 f[]f“fefif“fXf[]fjff...  
[]l,©,çfvfŠf“fgfj[]fgrfŠfbfW,ìfNfŠ[]fjff“fO,ð‘ìð,µ,Ü,·[]B
- 3 •\Žì,¾,è,½f\_fCfAf[]fOf{fbfNfX,Á•\-  
ÊfNfŠ[]fjff“fO,ðfNfŠfbfN,µ,Ü,·[]B  
,Pfy[]fW,ì^óü,ª[]s,í,è[]AfNfŠ[]fjff“fO,ª[]³[]í,É[]s,í,è,½,±  
,Æ,ðŽì,µ,Ü,·[]B%œ-Ê,ìŽwŽì,É[]],Á,ÀfNfŠ[]fjff“fO,ð[]l-  
¹,¾,¹,Ü,·[]B




HP

DeskJetfXfe[]f^fXf,fjff^,  
È,Ä,ç,Ä



fvfŠf“f^,ìf{f^f“,ðŽg,Á,ÀfvfŠf“fgfj[]fgrfŠfbfW,ìfNfŠ[]fjff“fO,ð  
,“,±,È,æ,û-@[]B

- 1 fvfŠf“f^,ì“dCE¹,ªfif“,ì[]ó‘Ô,È,Ä[]A“dCE¹f{f^f“ ÷,ð%ÿ,µ‘±  
,¯,Ü,·[]B
- 2 “dCE¹f{f^f“ ÷,ð%ÿ,µ,È,ª,ç[]AfŠfWf...[]f€f{f^f“  ,ð,V%ň  
%ÿ,µ,Ü,·[]B
- 3 “dCE¹f{f^f“ ÷,ð•ú,µ,Ü,·[]B



 [-ÚŽŸ](#)

 [^óü,É-â'è,â, ,é,Æ,«](#)

 «”\,ìŠm”F



^È%º,ìf“fefj“fX,ðŽÀŽ{,·,é,±  
,Æ,É,æ,èAfvfŠf“f^,ìó’Ò,ðŠm”F,μ,½,èAfjftfH[f]f“fX,ð  
%ñ•œ,<sup>3,1,½</sup>,è,·,é,±,Æ,â,Á,«,Ü,·B

**fvfŠf“f^,ìfZf<ftfefXfg**

□@fvfŠf“f^,ìfZf<ftfefXfg,ðs,çAfvfŠf“f^,<sup>â</sup>μ, <@”\,μ,Ä,ç,é,©,Ç,κ  
,©AfP[fuf<,ìU’±,<sup>â</sup>μ,Ä,«,Ä,ç,é,©,Ç,κ,©,ð`fFfbfN,μ,Ü,·B

**fvfŠf“fgfj□[fgfŠfbfW,ìNfŠ□[fjf“fO**

□@^óü•iŽ,ì’á%º,<sup>â</sup>Ü—  
š,Ä,½,èAfwf<fvf□fbfZ□[fW,ÄNfŠ□[fjf“fO,ìŽwŽ!,<sup>â</sup>,Ä,½,è,μ,½,Æ,«,í  
□AfvfŠf“fgfj□[fgfŠfbfW,ìNfŠ□[fjf“fO,ðŽÀŽ{,μ,Ä,<sup>¾,¾</sup>,çB

**fvfŠf“fgfj□[fgfŠfbfW,ìŽ<sup>2</sup>□†,í,<sup>1</sup>**

□@,ç  
,,è,©,ìfvfŠf“fgfj□[fgfŠfbfW,ðEðŠ·,μ,½,èAfZfbfg,μ<sup>¼</sup>,μ,½,è,μ,½,  
Æ,«□A, ,é,ç,ìfwf<fvf□fbfZ□[fW,ÄŽ<sup>2</sup>□†,í,<sup>1</sup>,ìŽwŽ!,<sup>â</sup>,Ä,½,Æ,«,í□AfvfŠf“  
fgfj□[fgfŠfbfW,ìŽ<sup>2</sup>□†,í,<sup>1</sup>,ð,“,±,É,Ä,Ä,<sup>¾,¾</sup>,çB



-ÚŽŸ

^óü,É-â'è,à, ,é,Æ,«

fvfŠf“f^,ìf{f^f“,Æf%of“fv,ìŠm”F



fvfŠf“f^,ìf{f^f“,Æf  
 %of“fv,ìfvfŠf“f^,ÉŠÖ,.,éí•ñ,ð“` ,ì,Ü,·BfvfŠf“f^,â^óü,Á,«,éíó’Ô,É,  
 È,é,Æ“dCE¹f%of“fv ÷,â“ “”,µfŠfWf...[f€f%of“fv  
 ,íÁ,ì,Ü,·B,o,b,âff[f^,ðfvfŠf“f^,Ö’—,Á,Ä,ç  
 ,é,Æ,«A,“,æ,ÑfvfŠf“f^,â^óü,µ,Ä,ç,é,Æ,«A“dCE¹f%of“fv ÷,â“ -  
 Å,µAfŠfWf...[f€f%of“fv ,íÁ,ì,Ä,ç,Ü,·BfvfŠf“f^,â  
 %oo½,ç,©,ì‘€ì,ð•K—v,Æ,µ,Ä,ç,é,Æ,«A, ,é,ç,ìfvfŠf“f^,ÉfGf%o[ ,â”-  
 ¶,µ,½,Æ,«,íAfŠfWf...[f€f%of“fv ,â“ -Å,·,é,©—¼•û,ìf  
 %of“fv,âCEðCEÝ,É“ -Å,µ,Ü,·B  
 —pŽt,âfvfŠf“f^,ÉfZfbfg,³,ê,Ä,ç  
 ,Ä,âfvfŠf“f^,â^óü,µ,É,çêê‡,íAfvfŠf“f^,ì“dCE¹f%of“fv ÷  
 ,ÆfŠfWf...[f€f%of“fv ,ìó’Ô,ðCE©,Ä,,¾,¾,çB,à,µ“dCE¹f%of“fv ÷  
 ,âÁ,ì,Ä,ç,é,È,ç,íA“dCE¹fXfCfbf` ÷,ð%ÿ,µ,ÄfvfŠf“f^,ðfìf“,É,µ,Ä,-  
 ,¾,¾,çB  
 ,»,é,Å,â^óü,Á,«,É, ,é,íAfvfŠf“f^,ìft[fU[fYf}fjf...fAf<,ìfgf  
 %ofuf<fvf...[fg,ì€,,ð,“Ç,Y,,¾,¾,çB,ç,è,ç,è,ÉfGf  
 %o[ ,ìó’Ô,â<Lq,³,ê,Ä,ç,Ü,·B



fvfŠf“f^,ìf{f^f“,Æf  
%of“fv



 [-ÚŽŸ](#)

 [^óü,É-â'è,à, ,é,Æ,«](#)

HP, òTf| [fg, ð<sup>3/4</sup>, é, É, Í



,à,µfvfŠf“f^,ðŽg,Á,Ä,ç,é,Æ,«,É-â'è,à<N,±  
,Á,½,É,ç,Í AfvfŠf“f^,òT [fU [fYf} fJf...  
fAf<,lfgf%ofuf<fVf... [fg, l€ ,ð,<sup>2</sup>—, -  
,<sup>3/4</sup>,<sup>3</sup>,ç B,»,ê,Á,à-â'è,à  
%òðCE^,Á,«,É,çê#AHP,Í“d~bTf|  
 [fg,ð,Í,ŋ,ß,Æ,µ,Ä AŠeŽÍ,òTf|  
 [fgfT [frfX,ð'ň<Ÿ,µ,Ä,“,è,Ü,· B  
fT [frfX,ì“à—e,É,Á,ç  
,Á,lfvfŠf“f^,òT [fU [fYf} fJf...fAf<,ð,<sup>2</sup>—, -  
,<sup>3/4</sup>,<sup>3</sup>,ç B





## fvfŠf“f^—pŽt□Ø,ê

fvfŠf“f^,ì—pŽt,<sup>a</sup>,È,,È,è,Ü,μ,½□B—pŽt,ì<ÿ<<•û-@,í□AfvfŠf“f^,ìfgfbfvjffo□[,ì“à‘α,ìf%ofxf<,ð,<sup>2</sup>—  
,È,È,Á,Ä,ç,½,¾,,©,Ü,½,í□AfvfŠf“f^•t’®,ìft□[fU□[fyfKfCfh,ð,<sup>2</sup>—,,¾,<sup>3</sup>,ç□B

—pŽt,ðfvfŠf“f^,ÉfZfbfg,μ,½,ç□AfvfŠf“f^,ìfÇfWf...□[f€f{f^f“,ð%oÿ,μ,Ä,,¾,<sup>3</sup>,ç□B^óü,ð’±,¯,é,±  
,Æ,<sup>a</sup>,Å,«,Ü,·□B

# Žt<l,Ü,è

fvfŠf“f^,ì—pŽt<l,Ü,è,ª”□¶,μ,Ü,μ,½□B^È%º,ìŽè□‡,É,μ,½,ª,Á,Ä<l,Ü,Á,½—pŽt,ðŽæ,è□œ,‡,Ä,-  
,¾,³,‡□B

1. fgfbfvfjfo□[,ðŠ],¯,Ü,·□B
2. fvfŠf“f^,ìfœfwf...□[f€f{f^f“,ð%ÿ,μ,½,Ü,Ü,É,μ,Ü,·□B—pŽt,ª^è•ùœü,É’—,‡,è,Ü,·□B
3. fvfŠf“f^,ìfœfwf...□[f€f{f^f“,ð•ú,μ,Ä,©,‡□Ä,Ñ□A“¯f{f^f“,ð%ÿ,μ,½,Ü,Ü,É,μ,Ü,·□B—  
pŽt,ª□æ,Ü,‡,Æ,í”½’í•ùœü,É’—,‡,è,Ü,·□B—  
pŽt,ªŽæ,è□œ,¯,é,Ü,Á^È□ä,ì’€□ì,ðœJ,è•Ô,μ,Ü,·□B
4. •K—v,É%ž,¶,ÄfgfœfC,ðŽæ,èŠO,μ,Ü,·□B^ø,Á,©,©,Á,Ä,‡,é—pŽt,ðŽæ,è□œ,«□A—  
pŽt,ð,»„è,¡,Á,©,‡□Ä,ÑfvfŠf“f^,ÉfZfbfg,μ,Ü,·□B
5. fgfbfvfjfo□[,ð•Ä,¶,Ü,·□B
6. fvfŠf“f^,ì“dœ¹,ð^è’Uflft,É,μ,Ä□Ä,Ñflf“,É,μ,Ü,·□B

# fvfŠf“f^f|[]fg,ì•s<i[]‡

fvfŠf“f^f|[]fg,ìfAfNfZfX,É-â‘è,à, ,è,Ü,·[]B%øðCE^,ì,½,ß%ø<L,ì,±,Æ,ðŽŽ,μ,Ä,,¾,³,ç[]B

- ‘¼,ìfAfvfŠfP[]fVf‡f“ ,a“^è,ìfvfŠf“f^f|[]fg,ðfAfNfZfX,μ,Ä,ç,é,©,à,μ,è,Ü,¹,ñ[]B**Lfff“fZf<**,ðfNfŠfbfN,μA¹¼,ìfAfvfŠfP[]fVf‡f“ ,©,ç,ì^óü,²Š®—¹,·,é,ì,ð’Ò,ç,Ü,·[]B
- ,à,μfe[]fVfjofbfNfAfbfvftfjfbfg,ì,æ,π,È¹¼,ìfffofCfX,ð“^è,ìf|[]fg,É[]Ú’±,μ,Ä,ç,é[]ê[]#[]A,±,ìfffofCfX,²f|[]fg,ðŽg—p,μ,Ä,ç,é,©,à,μ,è,Ü,¹,ñ[]B**Lfff“fZf<**,ðfNfŠfbfN,μA¹¼,ìfffofCfX,ìf|[]fgŽg—pŠ®—¹,ð’Ò,ç,Ü,·[]B
- CE»ÝfvfŠf“f^,ð[]Ú’±,μ,Ä,ç,éf|[]fg,ì[]AWindows,ìfRf“fgf[]f<fpf|f<,Å’I’ð,³,è,½,à,ì,Å, ,é,©,Ç,π,©,ðŠm”F,μ,Ä,,¾,³,ç[]B
- CE»[]ÝŠJ,ç,Ä,ç,é,·,×,Ä,ìfAfvfŠfP[]fVf‡f“ ,ð[]!—¹,μWindows,ðfŠfXf^[]fg,μ,Ü,·[]B
- PC,ì“dCE¹,ð,ç,Á,½,ñf|ft,É,μ,Ä[]A[]Ä,Ñf|f“ ,É,μ,Ü,·[]B

,à,μ,ü<L,ìŽè[]‡,ð,“ ,±,È,Á,Ä,à-â‘è,²%øðCE^,μ,È,ç[]ê[]‡,É,ì[]ACEì[]á,ì%øÄ“\[]«,², ,è,Ü,·[]B[]C—[],ì•ù-@,É,Ä,ç,Ä,ì[]Aft[]fU[]fYfKfCfh,ð,²—,¾,³,ç[]B

# 'o•ûĈü'ÊMáŠQ

,o,b,íAfvfŠf“f^,Æ,ìŠŌ,Ā'o•ûĈü'ÊM,đŠm—  
š,Ā,«,Û,<sup>1</sup>,ñBfvfŠf“f^,í,o,b,Æ,ìŠŌ,Ā'o•ûĈü'ÊM,É,æ,èŠeŽí,ìî•ñĈđŠ,đ,μ,Û,·B  
%o<sup>2</sup><L,ìó<μ,<sup>a</sup>, ,é,©,Ç,π,©,đŠm”F,μ,Ā,,<sup>3</sup>/<sub>4</sub>,<sup>3</sup>,çB

- fvfŠf“f^,ì“dĈ<sup>1</sup>,afift,Ā, ,éB.  
fvfŠf“f^,ì“dĈ<sup>1</sup>,đ“ü,ê,Ā,,<sup>3</sup>/<sub>4</sub>,<sup>3</sup>,çB
- fR“fgf□□lf<fpflf<,ìfvfŠf“f^,ìŸ'èf\_fCfAf□Of{fbfNfX,É, ,é□,‘¬,É^óü,af`fFfbfN,<sup>3</sup>,é,Ā,ç,È,çB  
,±,ê,đ%đĈ<, ,é,<sup>1</sup>/<sub>2</sub>,β,É,íA,Ā,¬,ì,æ,π,É,μ,Û,·B
- 1. Windows,ìfRf“fgf□□lf<fpflf<fAfCfRf“,đf\_fuf<fNfŠfbfN,μ,Û,·B
- 2. fvfŠf“f^fAfCfRf“,đf\_fuf<fNfŠfbfN,μ,Û,·B
- 3. fvfŠf“f^,ìŸ'èf\_fCfAf□Of{fbfNfX,É, ,é□Ū'±f{f^f“,đfNfŠfbfN,μ,Û,·B
- 4. □,‘¬,É^óü,đf`fFfbfN,μ,Û,·B

• fvfŠf“f^fP□[fuf<,ÉáŠQ,<sup>a</sup>, ,é,©,à,μ,ê,Û,<sup>1</sup>,ñB  
‘<sup>1</sup>/<sub>4</sub>,ìfP□[fuf<,ÉĈđŠ,μ,Ā,Ÿ,Ā,,<sup>3</sup>/<sub>4</sub>,<sup>3</sup>,çB

• ,à,μ•j“,ìfvfŠf“f^,đŽg—p, ,é,<sup>1</sup>/<sub>2</sub>,βfXfCfbf`f{fbfNfX□i□Ø'ÖŠí□,đŽg—p,μ,Ā,ç,ê,íA,»,ìfXfCfbf`f{fbfNfX,íA'o•ûĈü'ÊM,đfTf□[fg,μ,Ā,ç,È,ç,©□A,Û,<sup>1</sup>/<sub>2</sub>,ì<sup>1</sup>/<sub>4</sub>,ìfffofCfX,afXfe□[f^fXf%ofCf“,đŽg—p,μ,Ā,ç,é,©,à,μ,ê,Û,<sup>1</sup>,ñB  
,±,ìé□±,ìfvfŠf“f^,đ,o,b,É<sup>1</sup>/<sub>4</sub>□Ū'±,μ,Ā,Ÿ,Ā,,<sup>3</sup>/<sub>4</sub>,<sup>3</sup>,çB  
,à,μfXfCfbf`f{fbfNfX,đŽg—p,μ,È,¬,ê,î,ç,¬,ì,ç□é□±,É,íA:WINDOWS\SYSTEM  
fffBfĈfNfgfŠ,É, ,é HPWJCFG.EXE fvf□fOf%of€,đŽĀ□s,μ,Ā,-  
,<sup>3</sup>/<sub>4</sub>,<sup>3</sup>,çB'o•ûĈü'ÊMf`fFfbfNf{fbfNfX,ìf`fFfbfN,đ,í,,μ□AOK,đfNfŠfbfN,μ,Û,·B,±  
,ê,É,æ,è,o,b,ÆfvfŠf“f^,Æ,ì'o•ûĈü'ÊM,ì<@“\,μ,Û,<sup>1</sup>,ñB,±,ìé□±fvfŠf“f^,ì^ê•”,ì<@“\  
,í“@□ì,μ,Û,<sup>1</sup>,ñ,<sup>a</sup>□A^óü,í,Ā,«,Û,·B

• ,Žg,ç,ì,o,b,<sup>a</sup>'o•ûĈü'ÊM,đfTf□[fg,μ,Ā,ç,È,ç,©,à,μ,ê,Û,<sup>1</sup>,ñB  
**C:WINDOWS\SYSTEM** fffBfĈfNfgfŠ,É, ,é **HPWJCFG.EXE** fvf□fOf%of€,đŽĀ□s,μ,Ā,-  
,<sup>3</sup>/<sub>4</sub>,<sup>3</sup>,çB'o•ûĈü'ÊMf`fFfbfNf{fbfNfX,ìf`fFfbfN,đ,í,,μ□AOK,đfNfŠfbfN,μ,Û,·B,±  
,ê,É,æ,è,o,b,ÆfvfŠf“f^,Æ,ì'o•ûĈü'ÊM,ì<@“\,μ,Û,<sup>1</sup>,ñB,±,ìé□±fvfŠf“f^,ì^ê•”,ì<@“\  
,í“@□ì,μ,Û,<sup>1</sup>,ñ,<sup>a</sup>□A^óü,í,Ā,«,Û,·B

# fvfŠf“f^ -3%ož“š

fvfŠf“f^ , © , ç , ì % o ž “ š , à , è , Û , 1 , ñ □ B ^ È % o o , Ì Ž è □ † , ð Ž Ž , μ , Ä , , 3/4 , 3 , ç □ B

- fvfŠf“f^ , ì “ dCE<sup>1</sup> , à “ ü , Á , Ä , ç , é , ± , Æ , ð Š m “ F , μ , Ä , , 3/4 , 3 , ç □ B
- , à , μ fvfŠf“f^ , à f l f t f % o f C f “ , Á , , é , È , ç □ A f v f Š f “ f ^ , ì “ dCE<sup>1</sup> f { f ^ f “ , ð % o Ÿ , μ , Ä f l f “ f % o f C f “ , É , μ , Ä , - , 3/4 , 3 , ç □ B
- Ž † ‹ l , Û , è , ì — L - <sup>3</sup> , ð Š m “ F , μ , Ä , , 3/4 , 3 , ç □ B , à , μ Ž † ‹ l , Û , è , à , , è , Ì f t □ [ f U □ [ f y f K f C f h , Ì Ž è □ † , É , μ , 1/2 , à , Á , Ä □ A ‹ l , Û , Á , 1/2 — p Ž † , ð Ž æ , è □ œ , ç , Á , , 3/4 , 3 , ç □ B
- f g f b f v f j f o □ [ , à • Ä , Û , Á , Ä , ç , é , ± , Æ , ð Š m “ F , μ , Ä , , 3/4 , 3 , ç □ B
- fvfŠf“f^ f P □ [ f u f ‹ , à □ Ú ‘ ± , 3 , è , Ä , ç , È , ç , © □ A f P □ [ f u f ‹ , à • s — Ç , © , à , μ , è , Û , 1 , ñ □ B f v f Š f “ f ^ f P □ [ f u f ‹ , à , μ , Á , © , è , Æ □ Ú ‘ ± , 3 , è , Ä , ç , é , © Š m “ F , μ , Ä , , 3/4 , 3 , ç □ B , à , μ , Û , 3/4 - à ‘ è , à % o ð CE ^ , Á , ‹ , È , ç □ è □ † , í □ A ^ á , x f P □ [ f u f ‹ , Á Ž Ž , μ , Ä , , 3/4 , 3 , ç □ B

## • s“K∅,É“dCE<sup>1</sup>fift

‘O%ñ,lfvfšf“f^Žg—p|—<sup>1</sup>Žž,ÉA•s“K∅,É“dCE<sup>1</sup>,đflft,μ,Ü,μ,½B

•K, ,fvfšf“f^,ì“dCE<sup>1</sup>{f^f“,đ%Ÿ,μ,Äflf“f%ofCf“,É,μ,Ä,,¾,¾,çB

fvfšf“f^,â^óü’t,Ü,½,Ígfbfvfjfo[ ,âš],ç,Ä,ç,éó’Ô,ÅAfvfšf“f^,ì“dCE<sup>1</sup>{f^f“,đflft,·,é,±,Æ,È,-  
fvfšf“f^,ì“dCE<sup>1</sup>,â∅,ê,Ü,μ,½B,±,ìê±fvfšf“fgj[fgfšfbfW,íA<sup>3</sup><K,lfjWfVf†“,É-ß,é,±  
,Æ,â,Ä,«,Ü,<sup>1</sup>,ñB,±,ê,É,æ,èfvfšf“fgj[fgfšfbfW,lfmfYf<,âš£‘†,μAfCf“fN<|,Ü,è,ìCE^ö,É,È,è,Ü,·B

,±,ê,đ”đ,¯,é,½,ß,ÉAfvfšf“f^,â^óü,đš®—<sup>1</sup>,μ“®ì,đ’âž~,μ,Ä,©,çfvfšf“f^,ì“dCE<sup>1</sup>,đ∅,é,æ,κ  
,É,É,μ,Ü,·B

,à,μfvfšf“f^,ì^óü•ižž,â’á%º,μ,Ä,«,Ä,ç,é,æ,κ,Ä,μ,½,çAHP

**DeskJetXfe[f^fXf,fjf^“à,lf“fefif“fX,É, ,éfvfšf“fgj[fgfšfbfW,ìNfš[fjf“fo,đžÀž{,  
μ,Ü,·B**

## fCf“fNŽc—Ê

fvfŠf“fgfj[]fgfŠfbfW,lfCf“fN,².ó,©Žc—Ê,²,È,,È.Á,Ä,¢  
,Û,·B[]V,µ,¢fvfŠf“fgfj[]fgfŠfbfW,ÉŒðŠ·,µ,Ä,,¾,³,¢[]B

## fvfŠf“f^ f□f,fŠ•s‘«

fvfŠf“f^,lf□f,fŠ,•s‘«,μ,Ä,“,è□ACE»□Ý,ì•□□‘,đ^ó□ü,Å,«,Ü,¹,ñ□B^È%°°,ìŽè□#,É□],Á,Ä  
%°°đCE^,μ,Ä,,¾,¾,¾,¾□B

1. •□□“à,ÅŽg—p,•,éftfHf“fg,ì□”,đCE,ç,μ,Ü,•□B□i‘½□”,lf\_fEf“f□□[fhftfHf“fg,đŽg—  
p,•,é,ÆfvfŠf“f^,lf□f,fŠ,đ□Á“i,μ,Ü,•□B□j
2. fvfŠf“f^,ì“dCE¹,đflf“flft,μ,Ü,•□B,±  
,ê,É,æ,è,•,Å,ÉfvfŠf“f^,Éf\_fEf“f□□[fh,μ,½ftfHf“fg,đ□Á<Ž,μ,Ü,•□B
3. **C:\WINDOWS\SYSTEM** fffBfCEfNfgfŠ,É, ,é **HPWJCFG.EXE** fvf□fOf%of€  
,đŽÀ□s,μ,Ü,•□BTrueTypeftfHf“fg,lf\_fEf“f□□[fhf`fFfbfNf{fbfNfX,lf`fFfbfN,đ,í,•,μOK,đ  
fNfŠfbfN,μ,Ü,•□B



## <@ŠB“lfGf%oo□□

Žt<l,Ü,è,©'¼,ìáŠQ•,²fvfŠf“fgj□[fgfŠfbfW,ì%oÂ“@“í^í,É,è,Ü,·□Bfgfbfvfjfo□[,ðŠj,¬áŠQ•,ì—  
L-³,ðŠm”F,μ,Ü,·□B□áŠQ•,²,è,íŽæ,è□œ,«,Ü,·□BfvfŠf“f^,ì“dCE¹,ðfift,É,μ□Ä“xfif“,É,μ,Ü,·□B

,à,μŽt<l,Ü,è,²,è,î□A^È%oº,ìŽè□†,É,μ,½,²,Á,ÄŽæ,è□œ,†,Ä,,¾,¾,†□B

1. fgfbfvfjfo□[,ðŠj,¬,Ü,·□B
2. fvfŠf“f^,ìfCEfWf...□[f€f{f^f“,ð%öÿ,μ,½,Ü,Ü,É,μ,Ü,·□B—pŽt,²è•ûCEü,É'—,ç,è,Ü,·□B
3. fvfŠf“f^,ìfCEfWf...□[f€f{f^f“,ð•ú,μ,Ä,©,ç□Ä,Ñ“¬f{f^f“,ð%öÿ,μ,½,Ü,Ü,É,μ,Ü,·□B—  
pŽt,²□æ,Ü,Ç,Æ,í”½'í•ûCEü,É'—,ç,è,Ü,·□B—  
pŽt,²Žæ,è□œ,¬,é,Ü,Ä^È□ä,ì'€□ì,ðCEj,è•Ö,μ,Ü,·□B
4. ^ø,Á,©,©,Á,Ä,†,é—pŽt,ðŽæ,è□œ,«□A—pŽt,ð,»,è,ì,Ä,©,ç□Ä,ÑfvfŠf“f^,ÉfZfbfg,μ,Ü,·□B
5. fgfbfvfjfo□[,ð•Á,¶,Ü,·□B
6. fvfŠf“f^,ì“dCE¹,ð^è'Ufift,É,μ,Ä□Ä,Ñfif“,É,μ,Ü,·□B

# fffBfXfNfXfy[]fX•s'«

fvfŠf“f^fhf%oofCfo,íA^óü,μ,æ,π  
,Æ,·,é•¶[]ftf@fCf<,ð^êŽž“l,Éfn[]fhfffBfXfN,É•Û'¶,μ,Û,·B^êŽž“l,È•Û'¶[]êŠ,Æ,μ,Ä,íA'Êí c:\  
**tmp**,Ü,½,l c:\temp,É•Û'¶,³,è,Û,·iNEC PC98,ìê[]#,í'Éí'Û,È,Á,½fhf%oofCfu,É,È,è,Û,·[]B,±  
,è,ç,ìfffBfCfNfgfŠ,É, ,éftf@fCf<,ðí[]œ,μ,Ä,,¾,³,ç[]B

,à,μ^óü•”[]”,Ü,½,í^óü[]#[]~flfvfVf#f“,ðŽg—p,μ,Ä,ç,é[]ê[]#,É,íA,æ,è'½,,ìfffBfXfNfXfy[]fX,ðŽg  
—p,μ,Û,·B^óü•”[]”,ð^ê•”,Æ,·,é,©A,Û,½,í^óü[]#[]~flfvfVf#f“,ìf`fFfbfN,ð,í,,μ,Ä,,¾,³,ç[]B

'¾,ì%oðCE^•û-@,Æ,μ,Ä[]fvfŠf“fgf}f[]fWff,ðflft,É,·,é,Æ,ç,π•û-@,à, ,è,Û,·[]B  
ROBOHELPROBOHELP

## **fXfv [f<fGf%o [**

^óü,μ,æ,π,Æ,·,é•¶'ftf@fCf<,ðfXfv [fŠf“fO,Å,«,Ü,<sup>1</sup>,ñB  
**fvfŠf“fgf}f [fWff**,ðfift,É,μ,ÄAÄ“x^óü,ð,μ,Ä,,<sup>3</sup>/<sub>4</sub>,<sup>3</sup>,çB

**fvfŠf“fgf}f [fWff**,ðfift,É,·,é,É,íA%º<L,ìžè±,É,μ,<sup>1</sup>/<sub>2</sub>,<sup>a</sup>,Á,Ä,,<sup>3</sup>/<sub>4</sub>,<sup>3</sup>,çB

- 1. fRf“fgf [f<fpfif<**,É,·,é**fvfŠf“f^fAfCfRf“**,ðf\_fuf<fNfŠfbfN,μ,Ü,·B
- 2. fvfŠf“fgf}f [fWff,ðžg**,πf`fFfbfNf{fbfNfX,lf`fFfbfN,ð,í,,·B
- 3. I—<sup>1</sup>**,ðfNfŠfbfN,μ,Ü,·B
- 4. Ä“xfvfŠf“fg**,μ,Ü,·B

,±,è,É,æ,èA^óü,·,é•¶'ftf@fCf<,ðfvfŠf“fgf}f [fWff,É'—,é,±,Æ,È,-  
^óü,ðŠžn,μ,Ü,·B,±,íè±^óü,<sup>a</sup>Š@—<sup>1</sup>,·,é,Ü,ÄAfvfŠfP [fVf}f“f\ftgfEfffA,É,í-  
β,é,±,Æ,<sup>a</sup>,Ä,«,Ü,<sup>1</sup>,ñB

**HPfXfv□[f%o,É,Â,ç,Ä**

HPfXfv□[f%o,Æ,Í□H

HPfXfv□[f%o fEfCf“fhfE

fXfv□[f< fffBfCfNfgfŠ,ì•í□X

^óüftf@fCf<,l□í□œ

# HPfXfv [f%o,Æ,í H

HPfXfv [f%o,Æ,í A^óü,μ,æ,π,Æ,·,é•¶',ðŠÇ—,·,éŠÇ—fA  
ftfgfEjFfA,Å,·B^óü,·,é•¶',ð^êŽž“l,Èftf@fCf<,É•Û'¶,μA•Ê,ìi<Æ,ð,μ,Ä,ç  
,éSÖ,ÉA,»,)ftf@fCf<,ðfvfŠf“f^,Ö'—,è,Û,·B  
HPfXfv [f%o,íAWindows,lfvfŠf“fgf}f [fWff,É'u,«Š,í,è,Û,·B

# HPfXfv□[f%ofEfCf“fhfE

HPfXfv□[f%ofEfBf“fhfE,í□AfVfXfef€,É□V,μ,fCf“fXfg□[f<,³,ê,½fvfŠf“f^,lfŠfXfg,ð•\  
Ž|,μ,Û,·□BŠefvfŠf“f^-¼,ì%°º,É^ó□ü't, ,é,ç,í'Ò<@'t,ì•¶□',lfŠfXfg,ª•\Ž|,³,ê,Û,·□B•¶□'f□ffj...  
□[ 't,ì^ó□üfLfff“fZf<,ðŽg,ì,î□A•\Ž|,³,ê,½,Ç,lfvfŠf“f^,ì^ó□ü,àfLfff“fZf< , ,é,±,Æ,ª,Å,«,Û,·□B

## fEfBf“fhfE,ì•□,ð•î□X,·,é□B

HPfXfv□[f%ofEfBf“fhfE,ì•□,ð•î□X,·,é,É,í□Af}fEfX,ðŽg,Á,Äf□ffj...□[fo□[,ì%°º,ìfo□[,ìffj  
%of€f{□[f\_□[,ðfhf%ofbfO,μ,Û,·□B

# fXfv[]f< fffBfCEfNfgfŠ,ì•ï[]X

HPfXfv[]f%o,ìfXfv[]f<fffBfCEfNfgfŠ,É□A^êŽž“l,É^ó□üftf@fCf<,ð□ì□¬,μ,Û,·□B,à,μHPfXfv[]f%o,³fffBfXfN,ìfXfy[]fX,ðŽg,ç□Ø,é,æ,α,É,Æ,«,É,í□A,±,ìfìfvfVf#f“,ðŽg,Á,ÄfXfv[]f<—p,É•É,ìfhf%oofCfu,ÆfffBfCEfNfgfŠ,ð'ì'ð,μ,Û,·□B

1. HPfXfv[]f%ofEfBf“fhfE,ðŠj,,É,í□A%oæ-Ê,ì%oº,ìfXfv[]f%ofAfCfRf“,ðf\_fuf<fNfŠfbfN,μ,Û,·□B,à,μfXfv[]f%ofAfCfRf“,ªCE©,Â,©,ç,È,¬,ê,î□Afvf□Of%of€f}fì□fWff,Û,½,ìftf@fCf<f}fì□fWff,©,çWindowsfffBfCEfNfgfŠ,É, ,éHPWJSPR.EXEftf@fCf<,ðŽÁ□s,μ,Û,·□B
2. f□fjf...□f□□l,©,çfìfvfVf#f“,ð'ì'ð,μ,Û,·□B
3. f□fjf...□l,©,çfìfvfVf#f“•ï[]X,ð'ì'ð,μ,Û,·□B
4. •\Žl,³,é,½f\_CfAf□Of{fbfNfX,ÄfXfv[]f<fffBfCEfNfgfŠ,ð'ì'ð,μ,Û,·□B
5. OK,ðfNfŠfbfN,μ,Ä'ì'ð,μ,½“à—e,ð•Û'¶,μ,Û,·□B

•É,ìfXfv[]f<fffBfCEfNfgfŠ,ðŽw'è,·,é,Æ□AZŽ,É•¶□',ð^ó□ü,·,é,Æ,«,É□%o,ß,Ä—LCEø,É,È,è,Û,·□B

# ^óüftf@fCf<,lííœ

HPfXfv[f%ofEjBf“fhfE,É•Žl,³,ê,Ä,ç,éfvfŠf“f^,ì^óü,ðfLfff“fZf<,.é,É,Í•¶f“f“fj...  
[.,©,ç^óü,lfLfff“fZf<,ð'í'ð,μ,Ü,·B

fAfCfhf<A^óü't, ,é,ç,í^êžž'âž~,l'ó'Ô,É, ,é•¶f“í,ç,Å,Å,àííœ,Å,«,Ü,·B  
fvfŠf“f^,Ö'—,ç,ê,½,·,×,Ä,í•¶f“,ðííœ,·,é,É,íAHPfXfv[f%ofEjBf“fhfE,ð•Å,¶,Ä,,¾,³,çB



