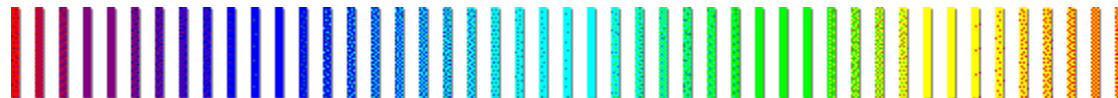


# HP DeskJet 850C

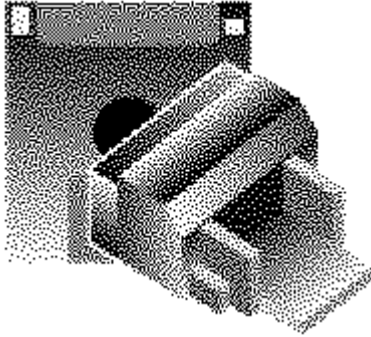
f v f Š f “ f ^ , É Š Ö , . , é □ î • ñ

- HP f v f Š f “ f e f B f “ f O f v f X f e f €
- f E f C f “ f h f E , Æ f \_ f C f A f □ f O f { f b f N f X
- Å “ K , È f v f Š f “ f ^ , ì □ Ý ’ è
- Š e Ž í — p Ž t , ì ’ I ’ ð
- p Ž t , Æ f v f Š f “ f g f J □ [ f g f Š f b f W , ì Ž g — p - @
- ^ ó □ ü , É - â ’ è , ã , , é , Æ , «

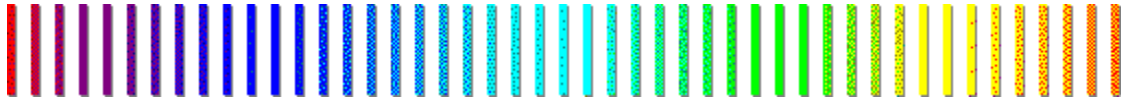


# HP DeskJet fvfŠf“fefBf“fOfVfXfef€

---

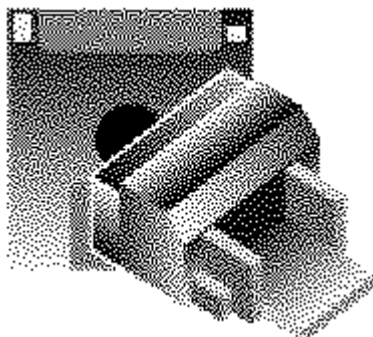


- fvfŠf“f^,É,Â,ç,Ä
- fvfŠf“f^fhf%ofCfo,É,Â,ç  
,Ä



fEfCf“fhfEfY,Æf\_fCfAf□fOf{fbfNfX

---



ColorSmartf\_fCfAf□fOf{fbfNfX

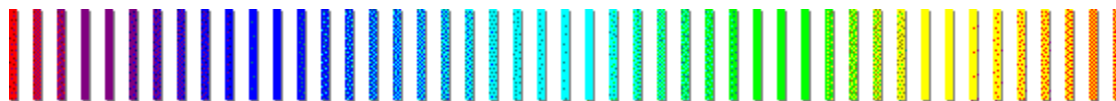


ColorSmartfIfvfVf†f“

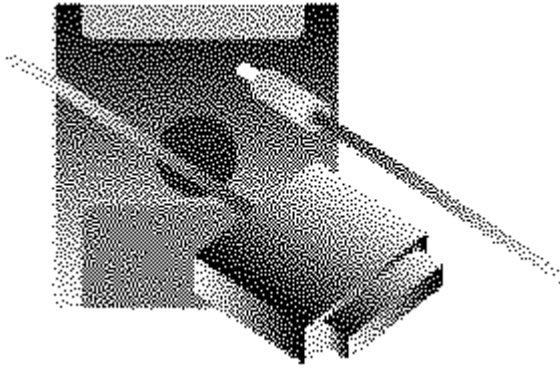
f\_fCfAf□fOf{fbfNfX



HP DeskJetfXfe□If^fX f,fjf^



Å“K,ÈfvfŠf“f^,ìŸ'è



^óü«”\,ìŸüã

fvfŠf“f^fhf  
%ofCfo,lfAfbfvfffg



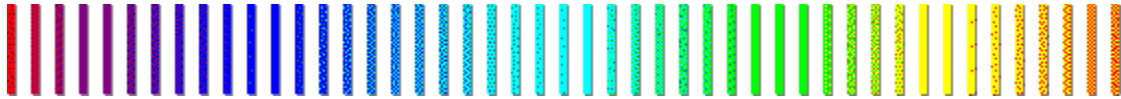
fGfRfmftf@[fXfgf,[fh,ìŽg—p

Ž©“®,Æf}fjf...fAf<,ì

ColorSmartfIfvfVf‡f“

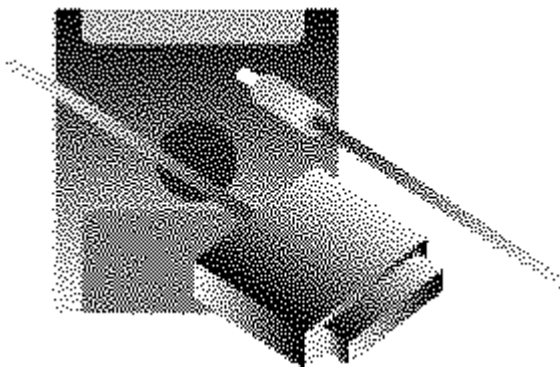
fjf

%o[^óü,Æf,fmfNf^óü

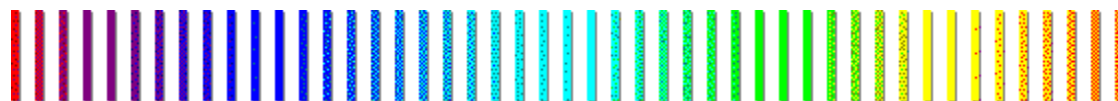


# ŠeŽí—pŽt,ì'í'ď

---



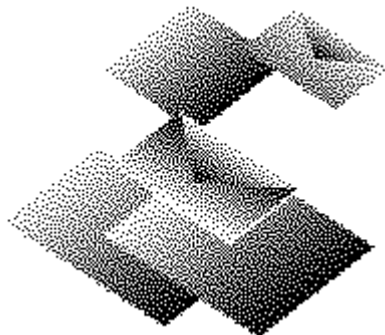
- OHPftfBf<f€,,ì^óü
- “>,ì^óü
- fjfXf^f€fTfCfY—pŽt,ì^óü
- HPfvf€f~fAf€ë—  
pŽt,ì^óü
- fOf€[fXfP[f<^óü
- fjf%oo[ì^óü



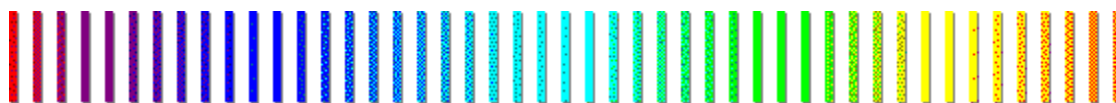
 -ÚŽŸ

—pŽt,ÆfvfŠf“fgfJ□[fgfŠfbfW,ìŽg—p-@

---



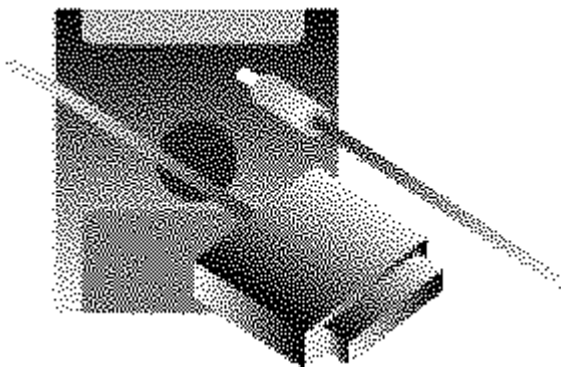
- pŽt,ìfZfbfg
- ìßØÝÄ¶°ÄØ<sup>-1/4</sup>¶,ìŽæ,è•t,¯
- ìßØÝÄ¶°ÄØ<sup>-1/4</sup>¶,ìŽ<sup>2</sup>¶†,í,<sup>1</sup>
- ìßØÝÄ¶°ÄØ<sup>-1/4</sup>¶,ì Ø°ÆÝ ¶



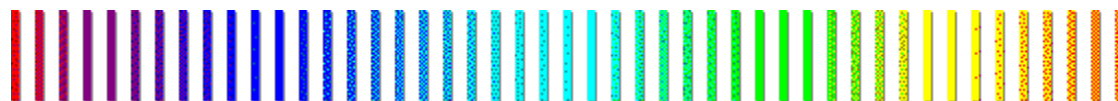
 -ÚŽŮ

^óü,É-â'è,ª, ,é,Æ,«

---



- «”\,ìŠm”F
- fvšf“f^,ìf{f^f“,Æf
- %of“fv,ìŠm”F
- HP,ìTf|[]fg,ð“¾,é,É,í



-ÚŽŸ

HP DeskJetfvfŠf“f^fBf“fOfVfXfef€

fvfŠf“f^,É,Â,ç,Ä

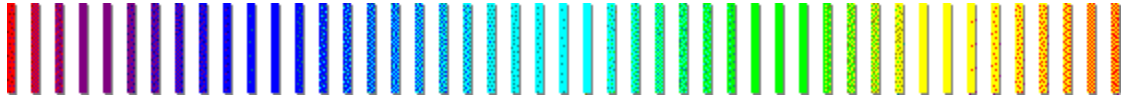
---

HP  
DeskJet850C,íAfCE[fUfvfŠf“f^,È,Ý,ì•,Æ  
ffj%o[fOf  
%oftfBfbfNfX,ð•ÉŽ†,É,à,n,g,oftfBfçf€  
,É,à^óü,Ä,«,éfff%o[fvfŠf“f^,Ä,·B,Û,½HP  
DeskJet850C,íA,Q,Ä,ì/Oj  
[fg,ð,à,¿Windows,ÆMac'o•ù,ìŠÄ««,ÅŽg—  
p,Ä,«,Û,·B

Žg—p,Ä,«,é—pŽt,ìŽí—p

fvfŠf“fgfJ[fgfŠfbfW,É,Â,ç,Ä

fvfŠf“f^,ì{f^f“,Æf  
%of“fv





**-ÚŽŮ**

**HP DeskJet**

**f^,É,Á,č,Ä**

# Žg—p,Å,«,é—pŽt,ìŽí—p

HP DeskJet850C,íA%oo<L,ì—pŽt,Æ,»,ì'¼,ì"}ì,ðŽg—p,Å,«,Ü,·B

ŠeŽí—pŽt,ì'I'ð

- f{f“fhŽt
- fRfs[]Žt
- ••“>
- HPfvfCEf~fAf€fCf“fNfWfFfbfg[]ê—pŽt
- HPfvfCEf~fAf€OHPftfBf<f€

HPfvfCEf~fAf€CEö'ðŽt

**Note:** ColorSmartf\_fCfAf[]fOf{fbfNfX,Å[]³,μ,č—pŽt,ìŽí—p,ð'I'ð,μ,Ä,,¾,³,čB

ColorSmartf\_fCfAf[]fOf{fbfNfX





-ÚŽŸ



HP DeskJetfvfŠf“fefBf“fOfVfXfef€



fvfŠf“f^,É,Â,ç,Ä

fvfŠf“fgfj□[fgfŠfbfW,É,Â,ç,Ä



HP

DeskJet850CfvfŠf“f^,É,í□ACEđŠ·Žž^ÈŠO,í□íŽž,Æ,è,Â,~,½,Ü,Ü,ÅŽg—  
p,·,éf,fmfNf□,Æfjf%□[.lfvfŠf“fgfj□[fgfŠfbfW,ª•t’®,μ,Ä,ç,Ü,·□B

□Å□,,ì^ó□ü•iŽž,đ^ÚŽ□,·,é,½,β,É,ÍŽŸ,ì,±,Æ,É’□^Ó,μ,Ä,,¾,¾,ç□B



fvfŠf“f^,ì“dCE¹,đfjft,É,μ□A“dCE¹fR□[fh,đ”²,-

‘O,ÉfvfŠf“fgfj□[fgfŠfbfW,đfvfŠf“f^,ì%□E’α,É-β,μ,Ä,,¾,¾,ç□B



fvfŠf“fgfj□[fgfŠfbfW,í-š•Â—eší,É“ü,ê□AŽº

%□·16β□`26βC,Ä•ÚŠÇ,μ,Ä,,¾,¾,ç□B



fvfŠf“fgfj□[fgfŠfbfW,ì  
Zæ,è•t,~



fvfŠf“fgfj□[fgfŠfbfW,ì  
fNfS□[fj“fO

fvfŠf“fgfj□[fgfŠfbfW,ì  
Z²□‡,í,¹



DeskJet fvfŠf“fefBf“fOfVfXfef€

fvfŠf“f^,É,Á,č,Ä

fvfŠf“f^,lf{f^f“ ,Æf%of“fv

HP

DeskJet850C fvfŠf“f^,É,Í□A“dCE<sup>1</sup>,â^óü,ďfRf“fgf□□[f<,·éfXfCfbf` ,Æfvf Šf“f^,ì□ó‘Ô,ď·\Ž|,·,éf%of“fv,<sup>a</sup>,è,Ü,·□B

fvfŠf“f^,lf{f^f“ ,Æf %of“fv,İSm”F

..... **fCEfWf...□[f€ f%of“fv**  
fvfŠf“f^,É%½,ç,©,ì□^‘u,<sup>a</sup>•K—v,È,Æ,«“ \_-Å,μ,Ü,·□B  
**fCEfWf...□[f€ f{f^f“**  
□^‘u,<sup>a</sup>□l,í,Á,½,ç□A,±,lf{f^f“ ,ď%öÿ,μ,ÄfvfŠf“f^,ď^óü  
%oÅ“\□ó‘Ô,É,μ,Ü,·□B



**“dCE<sup>1</sup>f%of“fv**  
“dCE<sup>1</sup>,əfif“,ì,Æ,«“ “”,μ,Ü,·□B,o,b,©,ç□î•ň,ďŽó□M†, ,é,č  
,í^óü‘t,É“ \_-Å,μ,Ü,·□B  
**“dCE<sup>1</sup>f{f^f“**  
,±,lf{f^f“ ,ď%öÿ,·,Æ“dCE<sup>1</sup>,əfif“,Ü,½,Ífift,É,È,è,Ü,·□B

.....

.....-UŽY  
.....HP  
DeskJetvfŠf“f^fhf%oofCfo,É,Â,ç,Ä

fvfŠf“f^fhf%oofCfo,É,Â,ç,Ä  
.....

HP DeskJet850CvfŠf“f^•t’®,i\A  
ftfgfEjFfA,iAfvfŠf“f^fhf%oofCfoAHP  
DeskJetXfe[]f^fXf,fjf^[]AfŠfŠ[]fXfm[]fg  
[]A,“,æ,Ńfif“f%ofCf“fwfçfv,Ä,·[]B

.....  
HP  
DeskJetXfe[]f^fXf,fjf^,É,Â,ç,Ä  
.....  
HP ColorSmartvfŠf“f^fhf  
%oofCfo  
.....  
fŠfŠ[]fX fm[]fg

.....

DeskJetfVfŠf“fefBf“fOfVfXfef€

fVfŠf“f^fhf%ofCfo,É,Â,ç,Ä

HP DeskJetfXfe□[f^fXf,fjf^,É,Â,ç,Ä

HP

DeskJetfXfe□[f^fXf,fjf^,Í«»□Ý,ì^ó□üff□[f^,ÆfvfŠf“f^,ì□ó'Ô,É,Â,ç,Ä,ì□^•ñ,ð'ñ<Ý,μ,Ü,□B,Ü,½fvfŠf“fgf□[fgfŠfbfW,ìfNfŠ□[fjf“fO,âŽ²□±,í,¹□AfZf<ftfefXfg,È,Ç,à,¨,±,É,ì,Ü,□B

HP

DeskJetfXfe□[f^fXf,fjf^fEfCf“fhfE

HP DeskJetfXfe□[f^fXf,fjf^,Í^ó□ü,·,é•¶□',ð—,Á,½,Æ,«□A, ,é,ç,Í^ó□ü,ìfGf%□[„□□,μ^ó□ü,ð□ÁŠ,·,é'O,É%½,ç,©,ì□^'u,ª•K—v,È,Æ,«□AZ©“@“ì,ÉS,©,è,Ü,□B,Ü,½□AfXfe□[f^fXf,fjf^,ìfvf□Of%of€f}f□[fWff,ìHP DeskJetf□[fefBfŠfefBfOf□[fv,É, ,éHP

DeskJetfXfe□[f^fXf,fjf^fAfCfRf“ ,ðf\_fuf<fNfŠfbfN,·,é,±,Æ,É,æ,Ä,Ä,àfAfNfZfX,Ä,«„Ü,□B

HP DeskJetfXfe□[f^fXf,fjf^,É,æ,Ä,Ä,Ä,—,ì,±,Æ,ª,Ä,«„Ü,□B

«»□Ý,ì^ó□üfWf#fu,ìf,fjf^

fVfŠf“f^,ì□ó'Ô,ìf,fjf^

fVfŠf“fgf□[fgfŠfbfW,ìfNfŠ□[fjf“fO

fVfŠf“fgf□[fgfŠfbfW,ìŽ²□±,í,¹

«»□Ý,ì^ó□üfWf#fu,ìfLfff“fZf<

fVfŠf“fgf□[fgfŠfbfW.ìfNfŠ□[fjf“fO

fVfŠf“fgf□[fgfŠfbfW.ìŽ²□±,í,¹

**Note:** HP

DeskJetfXfe□[f^fXf,fjf^,ì□Aftf<fTfCfY,ìfEfCf“fhfE,Æ,μ,Ä, ,é,ç,ìfAfCfRf“,©,ç,ç,Ä,Ä,à•\Ž!,ª,è,Ü,□BfAfCfRf“,ðftf<fTfCfY,ìfEfCf“fhfE,Ö□A, ,é,ç,ìfEfCf“fhfE,ðfAfCfRf“,É,·,é,±,Æ,ª,Ä,«„Ü,□B

DeskJet fvfŠf“fefBf“fOfVfXfef€

fvfŠf“f^fhf%ofCfo,É,Á,č,Ä

HP ColorSmart fvfŠf“f^fhf%ofCfo

fvfŠf“f^fhf%ofCfo,Æ,ÍAf□□lfvf□□^•\CEvŽZfA  
ftfg,É,Ç,lfAfvfŠfP□lfvf†f“fvf□fOf%of€  
,©,ç□AfvfŠf“f^,ÉfAfNfZfX,·,é,½,ß,lf\ftfgfEfffA,ì,±  
,Æ,Á,·□BfvfŠf“f^fhf  
%ofCfo,đŽg,Á,ÄColorSmart,lfIfvfVf†f“□iŽ©“®□^f}fjf...  
fAf<□□A^ó□ü•iŽ;□A^ó□ü,ìCEü,«□A—pŽ†,ìŽí—p□A,“,æ,Ñ—  
pŽ††fCfY,đ‘l,Ö,±,Æ,ª,Ä,«,Ü,·□B

fvfŠf“f^fhf%ofCfo,ìColorSmart<Z□p,í□A•¶□‘,đ•ª□í,μŽ©“®“l,Éfjf  
%o□[□Y’è,đ’²□ß,·,é,±,Æ,É,æ,è□Ä□,,lfjf  
%o□[•iŽ;đ’ñ<ÿ,μ,Ü,·□BColorSmart,íŽ©“®,Ä□Ä□,,ì^ó□ü•iŽ;đ’ñ<ÿ,μ,  
Ü,·,ª□AColorSmatf\_fCfAf□fOf{fbfNfX,Äf}fjf...fAf<,đ‘l’đ,·,é,±  
,Æ,É,æ,è□A,č,Á,Ä,à,»,ì□Y’è,đf}fjf...fAf<,Ä•í□X,·,é,±,Æ,ª,Ä,«,Ü,·□B

Ž©“®,Æf}fjf...  
fAf<,ìColorSmartlfvfVf  
†f“

► **ColorSmart,ìŽg—p**

ColorSmartf\_fCfAf□fOf{fbfNfX,Ä□AŽ©“®,đ‘l’đ,μ,Ü,·□B  
ColorSmart,Í•¶□‘,É□†,í,¹,Ä“K□³,É□FŽw’è,đŽ©“®“l,É□s,č,Ü,·□B

ColorSmartf\_fCfAf□fOf  
{fbfNfX

► **ColorSmart,ìf}fjf...fAf<•í□X**

- 1 ColorSmartf\_fCfAf□fOf{fbfNfX,Ä□Af}fjf...fAf<,đ‘l’đ,μ,Ü,·□B
- 2 lfIfvfVf†f“f{f^f“,đ‘l’đ,μ,Ü,·□B
- 3 ColorSmartlfIfvfVf†f“f\_fCfAf□fOf{fbfNfX,Ä□AŠó-]  
,lf□□[ftfg□□f“□A-¾,é.³□Afjf%o□[□\$CEä,É□Y’è,μ,Ü,·□B

ColorSmartlfIfvfVf†f“  
f\_fCfAf□fOf{fbfNfX

.....-UŽY

.....HP

.....DeskJetfvfŠf“fefBf“fOfVfXfef€

.....fvfŠf“f^fhf%ofCfo,É,Á,č,Ä

.....fŠfŠ[]fXfm[]fg

.....fŠfŠ[]fXfm[]fg,í[]AfvfŠf“f^fhf  
%ofCfo,ÉŠÖ,·,é[]î•ň,·,æ,ŇŽü'm,ìfn[]fhhEjFfA,Æf\  
ftfgfEjFfA,ì[]Ú'±[]«,ÉŠÖ,·,é[]î•ň,ðŠÜ,ň,Á,č,Û,·[]B[]Ú,μ,ç[]î•ň,É,Á,č  
,Á,í[]AHPWJREAD.TXT,ð,<sup>2</sup>—,¾,<sup>3</sup>,ç[]B

.....fŠfŠ[]fXfm[]fg,Ö[]s.

fEfCf“fhfEfY,Æf\_fCfAf□fOf{fbfNfX

# ColorSmartf\_fCfAf□fOf{fbfNfX

^óü□Ý'è,ì'ı'ð

,Ç,ì,æ,π  
,É^óü,·,é,©,ðŒ^'è,·,é,½,ß,É□A,±  
,lf\_fCfAf□fOf{fbfNfX,ðŽg—p,μ,Û,·□B

Ž©“®

f}fjf...fAf<

fOfŒ□[fXfP□[f<,Å^óü

flfvVf†f“

fxfXfg

fm□[f}f<

fGfRfmftf@□[fXfg

—pŽt,ìŽí—p

—pŽtfTfCfY

flfXf^f€

fXfe□[f^fXfo□[

□c

%oi

^óü•“□”

^óü□‡□~

OKf{f^f“

fLfff“fZf<f{f^f“

ffftfHf<fg\_f{f^f“

fwf<fv\_f{f^f“

ColorSmartflfvVf†f“\_fCfAf□fOf{fbfNfX

Ž©“®,Æf}fjf...fAf<,ìColorSmartflfvVf†f“





, ,ç,ä,é•¶□',É,¨,ç,Ä□A,¨,·,·,ß,ì□Ý'è,Å,·□B  
,±,lf|fv|V|f|f",íColorSmart<Z□p,É,æ,è□AfQf%o|ftfB|bfNfX□A|efL|fXfg,Æ,à,É□Å—  
Ç,ìfn□|ftfg□|f"□A-¾,é,³□A|ff%o□|□§CEä,ðŽ © “ ®,Å'í'ð,µ,Ü,·□B



f}fjf...fAf<

,±,lfjfvfVfjf“,íAfof%oftfBfbfNfX AfefLfxfg,Æ,à,ÉA Å—Ç,ìfn[ftfg[f“A-¾,é.³Afjf  
%oo[[]\$Eä,ðf}fjf...fAf<,Å'í'ð,Å,«,Ü,·B,±  
,ê,ð'í'ð,·,é,ÆAfjfvfVfjf“f{f^f“,©,çfjfvfVfjf“f\_cfAf[]of{fbfNfX,ðŠ},«Ý'è,ð•íX,Å,«,Ü,·B



fOfCE[fXfP[f<,Å^óü

ffj%o[fCf[fW,ðfOfCE[fXfP[f<,Å^óü,·,é,É,í,±,ê,ð`fFbfN,μ,Ü,·BfOfCE[fXfP[f<,Å,ÍAfjf  
%o[f,ðfOfCE[f,ì"Z'W,Å·\CE»,μ,Ü,·B



fxfXfg

fxfXfgf,[]fh,Å,Í[]A“h,è,Â,Ô,μ,ì[]Ùfof“fffBf“fO,à,È,[]Å[],,ì^ó[]ü•iŽ¿,ð“¾,é,±  
,Æ,ª,Å,«,·[]B,μ,©,μ,È,ª,ç[]Afm[]f}f·f,[]fh,æ,è,à^ó[]üŽžŠÔ,ª,©,©,è,Ü,·[]B



fm[f]f<

'Êí•¶',É"K,μ,½^óü•iŽ¿,Å,·B,Ù,Æ,ñ,Ç,ìŽí—p,ì—pŽ†,Å•W€,ì^óü•iŽ¿,đ"¾,é,±  
,Æ,ª,Å,«,Ü,·B



fGfRfmftf@[]fXfg

fhf%oofthg^óüüi%oo¼^óüüj,ì•ižì,Å,·□B,±,ìf,□[fh,Å,ífm□[f}f<f,□[fh,æ,è,í'¬,,©,Â,»,±,»,±  
,ì^óüü•ižì,ð"¾,ç,ê,Ü,·□B,Ü,½,±,ìf,□[fh,Å,í□AfCf"fN,ì□A"i—É,ðíCE,Å,«,Ü,·□B  
,±,ìf,□[fh,í□A•□'ÉŽ†,ð'l'ð,μ,½,Æ,«,ÉŽg—p,Å,«,Ü,·□B

**Note:** flf

%□[,ì•¶□',ð□Z□³,ì,½,β,É^óüü,·,é,É,í□AfGfRfmftf@[]fXfgf,□[fh,ÆfOfCE[]fXfP[]f<^óüü,  
ð'l'ð,μ,Å,,¾,¾,ç□B,±,ê,É,æ,è"ñí,É□,'¬,É^óüü,·,é,±,Æ,ª,Å,«,Ü,·□B



c

• ¶', δ'c', É, μ, ½'ó'Ô, Å^óü, μ, Ü, ·B



%oij

•¶□',ð%oij',É,μ,½□ó'Ô,Å^ó□ü,μ,Û,·□B



## —pžt,iží—p

fvfšf“f^,ÉfZfbfg,<sup>3</sup>é,Ä,ç,é—pžt,iží—p,đ‘l’đ,μ,Ü,·□B

**Note:** , ,éží—p,i—pžt(Ü,½,i,»,i’¼,i”}’i),í□A,±,ifvfšf“f^,É“K,<sup>3</sup>È,ç,±,Æ,<sup>a</sup>,è,Ü,·□

BColorSmartf\_fCfAf□fOf{fbfNfX,Ä‘l’đ,Ä,«,é—pžt,iží—p,i,Ý,<sup>2</sup>žg—p,,<sup>3</sup>/<sub>4</sub>,<sup>3</sup>,ç□B—pžt,iží—p,i□Ú□×,É,Ä,ç,Ä,í□Aft□[fU□[fYfKfCfh,đ,<sup>2</sup>—,,<sup>3</sup>/<sub>4</sub>,<sup>3</sup>,ç□B

**—pŽtTfCfY**

fvfŠf“f^,ÉfZfbfg,<sup>3</sup>,ê,Ä,ç,é—

pŽt,Ü,<sup>1/2</sup>,í<sup>3/4</sup>,l̄}í,lfTfCfY,ð‘l‘ð,μ,Ü,·□BColorSmartf\_fCfAf□fOf{fbfNfX,Å‘l‘ð,Å,«,é—

pŽtTfCfY,ì,Ý,<sup>2</sup>Žg—p,,<sup>3/4</sup>,<sup>3</sup>,ç□B

ColorSmartf\_fCfAf□fOf{fbfNfX,ÅfŠfXfg,<sup>3</sup>,ê,È,çfTfCfY,ì—pŽt,ðŽg,⊗□ê□‡,É,í□AŽ©—R,È—

pŽtTfCfY,ð‘è<^,Å,«,éjJfXf^f€f{f^f“,ð‘l‘ð,μ,Ä,,<sup>3/4</sup>,<sup>3</sup>,ç□B



^óü•"□"

^óü,μ,½,ϕ•"□",đ'¼□Ú"ü—Í,·,é,©,Ü,½,Í□A□ã%º,ì-î^ó,đ'l,ñ,Å^óü•"□",đ'l,ñ,Å,,¾,³,ϕ□B



^óü#~

,±,lf{fbfNfX,đf`fFfbfN,·,é,±,Æ,É,æ,è^óü#~ ,đ"½'î,É,Å,«,Ü,·iÅlfy[fW,đÅ%

,É^óüjB,±

,ê,É,æ,èA^óü#~ä,lfy[fW,ìŽá,ç#É•À,Ñ,Ü,·B^óü#~ ,đ"½'î,É,·,é,Æ^óü'~"x,í'½'x,-  
,É,è,Ü,·B

**ffftfHf<fgf{f^f“**

ffftfHf<fgf{f^f“,đfNfŠfbfN,·,é,Æ□Af\_fCfAf□Of{fbfNfX,ì,·,×,Ä,ì□Ý'è,đffftfHf<fg,ì□Ý'è,É-β,·,·,±,Æ,ª,Ä,«,Ü,·□B

## fifvfVf#“f{f^f”

ColorSmartf\_fCfAf\_fOf{fbfNfX,ÅfifvfVf#“f{f^f”,ð‘l’ð,·,é,Æ□A-¾,é,³,ì□Ý’è□Afn□[ftfg□[f“,ì•ù-  
@□Afff%□[□\$EäfifvfVf#“,ð‘l’ð,Å,«,Ü,·□B

**Note:** ColorSmartf\_fCfAf\_fOf{fbfNfX,ÅŽ©“®,ð‘l’ð,·,é,Æ□AfifvfVf#“f{f^f”,í-  
³Eø,É,È,è□ifOfE□[,É,È,é□j□AfvfŠf“f^fhf%□fCfo,ª□A-¾,é,³□Afn□[ftfg□[f“□Afff  
%□[□\$Eä,ðŽ©“®,Å□Ý’è,μ,Ü,·□B

**fjfx^f€f{f^f“**

fjfx^f€f{f^f“,đfNfŠfbfN,·,é,Æ□Ajjfx^f€—pŽ+ftfCfyf\_fCfAf□fOf{fbfNfx,Å”C^Ó,ì—  
pŽ+ftfCfy,đ□Y’è,Å,«,Û,·□B

**OKf{f^f“**

OKf{f^f“,đfNfŠfbfN,·,é,Æ□A,±,±,Å•ĩ□X,μ,½ŠeŽí,ì□Ý'è,đ•Ů'¶,μ□A,±,ìf\_fCfAf□fOf{fbfNfX,đ□I—  
¹,μ,Ů,·□B



**fLfff“fZf·f{f^f“**

fLfff“fZf·f{f^f“,đfNfŠfbfN,·,é,Æ□A,±,±,Å•İ□X,μ,½ŠeŽí,ì□Ý'è,đ"jŠü,μ□A,±  
,İf\_fCfAf□fOf{fbfNfX,đ□l—<sup>1</sup>,μ,Ü,·□B

**fwf{fvf{f^f“**

fwf{fvf{f^f“,đNfŠfbfN,·,é,Æfwf{fvftf@fCf<,a—š,ž□ă,a,è,Ü,·□B

**Color Kit**

The optional color kit lets you print color with the HP DeskJet 600K printer. The color kit contains a color print cartridge and a print cartridge storage container.

**fXfe[]f^fXfo[]**

fXfe[]f^fXfo[][,Å,í[]Af\_fCfAf[]Of{fbfNfX"à,ÅE»[]ÝfnfCf%ofCfg,<sup>3</sup>,ê,Ä,ç,élfvfVf#f",ìŠÈ'P,È[]à-  
¾,ð'ñ<Ÿ,μ,Ù,·[]B

 -ÚŽŸ

 fEfCf“fhfEfY,Æf\_fCfAf□fOf{fbfNfX

ColorSmartflfvfVf†f“f\_fCfAf□fOf{fbfNfX



## ColorSmartflfvfVf†f“,ì‘l’ð

ColorSmartflfvfVf†f“f\_fCfAf□fOf{fbfNfX,

ð•\

Ž|,³,¹,é,É,í□AColorSmartf\_fCfAf□fOf{fbfNfX,Åf}fjf...

fAf<,ð‘l,Ñ□AŽŸ,ÉflfvfVf†f“f{f^f“,ðfNfŠfb

fN,µ,Û,·□BColorSmartflfvfVf†f“f\_fCfAf□f

Of{fbfNfX,ðŽg,Á,ÅŠó-],·,éŠeŽí,ljf

%o□[□Y’è,ð□s,ç,Û,·□B

-³/4,é,³

fpf^□[f“

ŠgŽU

frfrfbfhflf%o□[


f}fbf`fXfNfŠ□[f“


OKf{f^f“

fLfff“fZf<f{f^f“

fffffHf<fqf{f^f“

fwf<fvf{f^f“

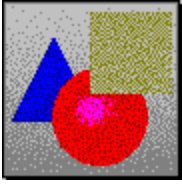
 ColorSmart\_fCfAf□fOf{fbfNfX

 Ž©“®,Æf}fjf...fAf<,ìColorSmartflfvfVf†f“



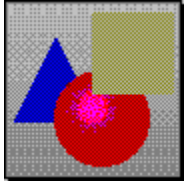
# ŠgŽU

, Û, Æ, ñ, Ç, ì • ¶ □', É □ Å " K, ì □ Ý ' è, Å, · □ B, ±, ì □ Ý ' è, Å, Í □ A f C f " f N, ð f y □ [ f W □ ã, É f % o f " f \_ f € , É " z ' u, µ, Ü, · □ B



**fpf^[]f"**

,±,ìY'è,Å,í[]AfCf"fN,ðfy[]fW[]ã,ÉŠô%½Šw"l,É"z'u,μ,Û,·[]BŠÈ'P,ÈfOf  
%oftfBfbfNfX,ðŠÛ,ñ,¾•¶[]',Å,í^óü'¬"x,ª'¬,,È,è,Û,·[]B









f}fbf`fXfNfŠ[f“

,±,lfjf

%o[[]\$CEä,Å,ÍA^óüCE<%oÊ,ðfffBfXfvfCEfC,ìF,Æ±,í,¹,Ü,·BfXfLffffifCf[]fW[]AŽÊ^[]A•;ŽG,Èf  
Rf“fsf...[f^fOf%oftfBfbfNfX,È,Ç,ì,æ,ɹ,È•;ŽG,Èffj%o[fOf%oftfBfbfNfX^óü,Å,ÍA,±  
,lfvfVf†f“,ð'ì'ð,μ,Ü,·B

**Note:** fOfCE[]fXfP[]f<^óü,Å,ÍA,±,ê,ç,lfjf%o[[]\$CEä,í-³CEø,Æ,È,è,Ü,·B

-¾,é,³

fCf“fN,ì•-□o—Ê,ð□SCEä,·,é,±,Æ,É,æ,è□A-¾,é,³,ð□Ý’è,μ,Û,·□Bf}}fEjX,ðŽg,Á,ÄfXf  
%ofCf\_□[□¶,É“®,©,·,Æ-¾,é,□ifCf“fN—Ê□□j□AfXf%ofCf\_□[,ð%oE,É“®,©,·,Æ”Z,-  
^óü,Ä,«,Û,·□ifCf“fN—Ê’â□j□B



## fn [ftfg [f“

, ±, ì ÿ è, í □ Afvf Šf“ fgj □ [fgf ŠfbfW, ©, ç, ì jff % □ [fCf“ fN, ð, ç, ì, æ, x, È • ù -  
@, Å'g, Ÿ □ ‡, í, ¹, Å"z'u, ·, é, ©, ð 'l' ð, μ, Ü, · □ B

Šg ŽU, í □ AfCf“ fN, ðfy □ [fW □ ä, Éf % of“ f\_f € , É"z'u, μ, Ü, · □ B • ; ŽG, ÈfOf  
% oftfBfbfNfX □ AŽ É □ ^ fCf □ □ [fW □ A, ", æ, ŃfXfLfff“ , μ, ½ fCf □ □ [fW, É“K, μ, Ü, · □ B  
fpf ^ □ [f“ , í □ AfCf“ fN, ðfy □ [fW □ ä, ÉŠ ð % ½ Sw“l, É"z'u, μ, Ü, · □ B jff % □ [fefLfXfg □ AfrfWfLfXfOf  
% oftfBfbfNfX, È, Ç Š È 'P, ÈfOf % oftfBfbfNfX, ð Š Ü, ñ, ¾ • ¶ □ ' , É“K, μ, Ü, · □ B

-¾,é,³

fCf“fN,ì•-□o—Ê,ð'²□®,μ,Û,·□B,æ,è-¾,é,□A,æ,è"Z,□A,æ,è'N,â,©,É,È,Ç,ì'²□®,ðfXf  
%ofCf\_ðŽg,Á,Ä,¨,±,È,κ,±,Æ,ª,Å,«,Û,·□B

**fjf%o[]\$CEä**

,±,±,Å,íAfrfrfbfhjf%o[],Æf}fbf`fXfNfŠ[]f“,ì“ñ,Â,ìjf%o[]\$CEä,ì•û-@,ª, ,è,Û,·B

frfrfbfhjf%o[],Å,íA'N-¾,Å'N,â,©,È^óü,ðŽÀCE»,μ,Û,·Bfrfrfbfhjf%o[],íA,W,Â,ìŠî-{fjf  
%o[]i•A''AÖA—íAÄAfvfAf''A%©Af}f[f"f\_j,ðfTf[]fg,·é'P[]f,È“h,è,Â,Ö,μ,ìfOf  
%oftfBfbfNfX,É“K,μ,Ä,ç,Û,·B

f}fbf`fXfNfŠ[]f“,íA^óüCE<%oÈ,ðffBfXfvfCEfC,ìF[]‡,ç,Æ^ê'v,³,¹,é,æ,‡  
,É'²[]®,μ,Û,·Bf}fbf`fXfNfŠ[]f“,Å,íAfxflfff“fCf[]fW[]AZÉ[]^AfRf“fsf...[]f^fOf  
%oftfBfbfNfX,ì,æ,‡,É•;ŽG,ªfOf%oftfBfbfNfX,É“K,μ,Ä,ç,Û,·B

**Note:** fOfCE[]fXfP[]f<,Å^óü,ð'ì'ð,·é,Æ[]Afff%o[]\$CEä,ìÝ'è,í-³CEø,Æ,È,è,Û,·B

"}i

,±,lfvfšf“f^,Å,í□AŠeŽí,i—pŽt,<sup>a</sup>Žg—p,Å,«,Ü,·□BŽg—p,Å,«,é—  
pŽt,“,æ,Ň”}i,i□ú□x,í□Aft□[fU□[fyfKfCfh,đ,<sup>2</sup>—,,<sup>3/4</sup>,<sup>3</sup>,č□B

 -ÚŽŸ

 feCf“fhfEfY,Æf\_fcAf□fOf{fbfNfX

# HP DeskJetXfe□[f^fXf,fjf^fEfCf“fhfE



HP

DeskJetXfe□[f^fXf,fjf^fEfBf“fhfE,íÆ»□Ÿ,í^  
ó□üfWf‡fu,ÆfvfŠf“f^,í□ó'Ô,ÉŠÖ,.,é□î•ň,đ•\  
Ž|,μ,Û,·□B,±  
,lfXfe□[f^fXf,fjf^,í□AfvfŠf“fgf□[fgfŠfbfW,lf  
NfS□[fjf“fO,âZ²□‡,í,¹,É,Ç,lfvfŠf“f^,ÉŠÖ,.,é□  
<Æ,đ□s,α,Æ,«,É,àŽg,ç,Û,·□B

HP

DeskJetXfe□[f^fXf,fjf^,đ<N“®,. ,.é,É,í□AHP  
DeskJetft□[fefBfŠfefBfvf□fOf  
%of€fOf<□[fv,íHP  
DeskJetXfe□[f^fXf,fjf^fAfCfRf“,đf\_fuf<fNfŠf  
bfN,μ,Û,·□B

fvfŠf“f^f□fjf...□[  
flfvfVf‡f“f□fjf...□[  
f□f“fefjf“fXf□fjf...□[  
fefXfgf□fjf...□[  
fwf<fvf□fjf...□[

fvfŠf“f^fXfe□[f^fXf{fbfNfX  
fLfff“fZf<f{f^f“



 HP DeskJetXfe□[f^fXf,fjf^,É,Â,ç,Ä

**fvfŠf“f^f□fjf...□[**

fvfŠf“f^f□fjf...□[,í□APC,É□Ú'±,³,ê,Ä,ç,é,·,×,Ä,ìDeskJetfvfŠf“f^,ðfŠfXfg,μ,Ü,·□B



**flfvfVf#f“f[]fj...[]**

,±,lf|fvfVf#f“f[]fj...[][,Í[]AHP DeskJetfXfe[]f^fXf,fjf^,ì•\Ž![]ðCE[],ð[]Ý’è,μ,½,è[]ACEx[]  
%°¹,lf|f“f|ft,ð[]Ý’è,μ,½,è,Å,«,Ü,·[]B

**í,É•\Ž!** ,±,è,ð`fffbfN,·,é,Æ[]AHP  
DeskJetfXfe[]f^fXf,fjf^,ð[]í,É•\Ž!,μ,Ü,·[]B

**^ó[]üŽž,ì,Ý•\Ž!** ,±,è,ð`fffbfN,·,é,Æ[]A^ó[]üŽž,ì,ÝHP  
DeskJetfXfe[]f^fXf,fjf^,ð•\Ž!,μ,Ü,·[]B

**%°¹[]°,É,æ,éCEx[]** ,±,è,ð`fffbfN,·,é,Æ[]A^ó[]üŽž,ÉfGf%°[][,“-  
[]¶,μ,½,Æ,«[]ACEx[]%°¹,ð”[]¶,μ,Ü,·[]B

**f[]f“f[]fj“f[]fj“f[]fj...[]**

f[]f“f[]fj“f[]fj...[][,É,Í^è%°°,ì<@“\,ª, ,è,Ü,·[]B

**İBØYÄ°ÄØ~¼P,ì,Ø°ÆY,Þ** fvfŠf“fgfj[]fgfŠfbfW,lfNfŠ[]fj“fO,ð,μ,Ü,·[]B^ó[]  
ü•iŽ,ª°á  
%°°,μ,½,è[]Afwf<fvf[]fbfZ[]fW,ÅfNfŠ[]fj“fO,ð,  
·,·,ß,ç,è,½[]ê[]#,ÉŽÄŽ{,μ,Å,,¾,¾,¾,ç[]B

**İBØYÄ°ÄØ~¼P,ìŽ²[]#,í,¹** fjf  
%°[][,Æ[]•,lfvfŠf“fgfj[]fgfŠfbfW,ìŽ²[]#,í,¹,ð,μ,Ü,  
·[]BfvfŠf“fgfj[]fgfŠfbfW,ðCEðŠ·,Ü,½,ÍŽæ,è•t,¯,  
μ’¼,μ,½[]ê[]#[]A,Ü,½,lfwf<fvf[]fbfZ[]fW,ÅŽ²[]#,í,  
¹,ð,·,·,ß,ç,è,½[]ê[]#,ÉŽÄŽ{,μ,Å,,¾,¾,¾,ç[]B

**fefXfgf[]fj...[]**

fefXfgf[]fj...[][,É,Í^è%°°,ì<@“\,ª, ,è,Ü,·[]B

**fZf<ftfefXfg,ì^ó[]ü** fZf<ftfefXfg,ð^ó[]ü,μ,Ü,·[]BfvfŠf“f^,ì”@[],ÆfP[]  
[fuf<,ì[]Ü’±,ªSm”F,Å,«,Ü,·[]B

**°Yì”\_ÞÜ°¼@Y,ì•\Ž!** fvfŠf“f^,lfRf“ftfbfOfCE[]fvf#f“[]î•ñ[]i[]Ý’è[]î•ñ[]  
j,ð•\Ž!,μ,Ü,·[]B

**fwf<fvf[]fj...[]**

fwf<fvf[]fj...[][,É,Í^è%°°,ì[]€-Ü,ª, ,è,Ü,·[]B

**-ÜŽY** HP DeskJetfXfe[]f^fXf,fjf^,ìŽg,ç•ù,ð•\  
Ž!,μ,Ü,·[]B

**HP DeskJetfXfe[]f^fXf,fjf^,ìŽg,ç•ù** HP  
DeskJetfXfe[]f^fXf,fjf^,ì^è”È“ì,È[]î•ñ,É,Å,ç  
,Å•\Ž!,μ,Ü,·[]B

**HP DeskJet,É,Å,ç,Ä** HP  
DeskJetfXfe[]f^fXf,fjf^,lf[]o[]fwf#f“ ,” ,æ,Ñ’~  
[]ìCE ,É,Å,ç,Å•\Ž!,μ,Ü,·[]B

**fvfŠf“f^ fXfe[]f^fXf{fbfNfX**

,±,lf|f{fbfNfX,Å,Í[]ACE»[]Ý,lfvfŠf“f^,lfXfe[]f^fX,É,Å,ç,Ä•\Ž!,μ,Ü,·[]B

fLfff“fzf·f{f^f”

CE»Ÿ,í^óüfWfufu,đ'†Ž~,·,é,Æ,«,ÉŽg—p,μ,Û,·B

☐ -ÚŽŸ

☐ Å“K,ÉfvfŠf“f^,ìŸ’è

^óü«”\,ìŸüã

☐

fvfŠf“f^,ì^óü’-“x,“,æ,Ñ’S’ì,ì^óüü«”\,í^È%º,ì-v’f,É,æ,è  
%ºe<ç,ðŽó,Ÿ,Ü,·B

☐ PC,ìRAM,ì-e—É,É,æ,è•ŸŸ’,afvfŠf“f^,Ö’—  
,ç,è,é’-“x,ðŸ^è,µ,Ü,·BPC,ìRAM,ì-e—É,ð’,à,·,Æ,±  
,ì’-“x,ª’,·,Æ,Æ,à,É^óüü†,É’¼,ìŽdŽ-,ð,·,é,Æ,«,ÉPC,ª,æ,èŸø—  
!“ì,É”®Ÿì,·,é,æ,æ,É,È,è,Ü,·B

☐ fvfŠf“f^fhf%ºfCfo,É,æ,è^óüü•iŽç,ª’ã,«,ŸŸ%ºE,³,è,Ü,·BŽg—  
p,µ,Ä,ç,éfvfŠf“f^,É’í%ºž,µ,½fvfŠf“f^fhf%ºfCfo,ìÅŸV”Å,ðŽg—  
p,µ,Ä,ç,é,±,Æ,ðŠm”F,µ,Ä,-  
,¾,³,çBWindows,ìfRf“fgŸŸ[f:fpflç,ìfvfŠf“f^fAfCfRf”,ðf\_fufçfNfŠfbfN,  
µA’g,YŸž,Ü,è,½fvfŠf“f^,ìfŠXfg,©,çSY“-·,éfvfŠf“f^,ð’ì’ð,µ,Ü,·BŽg—  
p,µ,Ä,ç,éfhf

%ºfCfo,ìfoŸŸfWfŸ”,ðŠm”F,·,é,É,ìAŸ’è,ðfNfŠfbfN,µ,Ü,·BColorSmartf  
\_fCfAŸŸfOfçfbfNfX,ìfçfçfgçfoŸŸ.ì’t,ÉfoŸŸfWfŸ”,ª•\Zì,³,è,Ü,·B

☐ •ŸŸ’,ì’ã,«,³,Æ•;ŽG,³,ì^óüü«”\,É%ºe<ç,µ,Ü,·BfOf  
%ºftfBfbfNfX,ì•ŸŸ’,ìA’ÉŸŸífefLfXfg,¾,Ÿ,ì•ŸŸ’,æ,è^óüü,ª’x,,È,è,Ü,·B

☐ PC,ìŸ^—Ÿ’-“x,É,æ,èA•ŸŸ’,afvfŠf“f^,Ö’—  
,ç,è,é’-“x,ªŸ^,Ü,è,Ü,·B—  
á,ì,ìfyf“fefBfAfçfvfçfZfbfT”<ŸŸ,ìPC,ì486fvfçfZfbfT”<ŸŸ,ì,à,ì,æ,è’-“x,  
ª’-,,È,è,Ü,·B

☐ “-Žž,É’½Ÿ”,ìŸ  
ftfçfEçfA,ðŽÀŸs,·,é,Æ^óüüžžŠÖ,ª,©,©,è,Ü,·B,±  
,è,ìfAfvfŠfPŸŸŸfŸŸ”,ªPC,ìRAM,ðŸÁ”ì,µ,Ä,ç,é,½,ß,Å,·B^è“x,ÉŠJ,-  
fAfvfŠfPŸŸŸfŸŸŸ”,à•ŸŸ’,ìŸ”,ðŸŸŸŸ,µ,Ä,,¾,³,çB

☐ fXfNfŠŸŸŸŸftfHf“fg,ìRAM,É•Ü’ŸŸ,³,è,Ü,·B,±  
,è,É,æ,èŸŸfŠ,ðŸÁ”ì,µ,Ä,ç,é,ì,ÅŸA, ,Ü,èŽg,í,È,çfXfNfŠŸŸŸŸftfHf“fg,âfv  
fŠf“f^ftfHf“fg,ìŸŸŸœ,µ,Ä,,¾,³,çB

☐

[-ÚŽŸ](#)

[Å“K,ÈfvfŠf“f^,ìY’è](#)

fvfŠf“f^fhf%ofCfo,ìfAfbfvff[]fg

fqf...[]fCfEfbfgfpfbfj[]fh,íA•s’èŠú,È,<sup>a</sup>çfvfŠf“f^fhf  
%ofCfo,ìfo[]fWf#f“fAfbfv,ðŽŽ{,μ,Ä,“ ,è,Ü,·B,±  
,è,ç,ìfo[]fWf#f“fAfbfv,É,íA•s<í[]#,ìC<sup>3,3/4,</sup> ,Ä,È,[]A<@”\,ð’Ç  
%oÄ,<sup>3,1,1/2,</sup>à,ìAfpftfH[]f}f“fX,ðCEü[]ã,<sup>3,1,1/2,</sup>à,ì,Æ,È,é,±,Æ,<sup>a</sup> ,è,Ü,·  
B[]Å[]VfvfŠf“f^fhf%ofCfo,ì“üŽè•û-@,íA-  
{fvfŠf“f^,ìft[]fU[]fYfKfCfh,ð,<sup>2</sup>—,.,<sup>3/4,3,</sup>ç[]B



 [-ÚŽŸ](#)

 [Å“K,ÈfvfŠf“f^,ìŸ’è](#)

fGfRfmftf@[]fXfgf,[]fh,ìŽg—p



fGfRfmftf@[]fXfgf,[]fh,ìfhf%oftfg•iŽž,ì^óü,ðs,ç,Ü,·B,±  
,ìf,[]fh,Å,ìAfM[]f}f<f,[]fh,âfxfXfgf,[]fh,æ,è,à^óü’—“x,â’—,-  
,È,è,Ü,·B,Ü,½,±,ìf,[]fh,ðŽg,æ,ÆfCf“fN,ìŽg—p—È,è,È,è,è,Ü,·B

fGfRfmftf@[]fXfgf,[]fh,ìA•’ÈŽž,ðŽg—p,·,é,Æ,«,ì,Ý—LCEø,Å,·B

**Note:** fJf%oo[],ì•¶[]’,Åfhf%oftfg^óü,ðs,æ  
,Æ,«,ìAfGfRfmftf@[]fXfgf,[]fh,ð’l’ð,μA[]ufOfCE[]fXfP[]f<  
,Å^óüv,ðf`fFbfN,μ,Å,,¾,¾,¾,ç[]BfJf  
%oo[],ì,ä,í,è,ÉfOfCE[]fXfP[]f<,ðŽg,æ,Æfhf%oftfg,ì^óü,â’—,-  
,È,è,Ü,·B



 -ÚŽŸ

 Å“K,Évfšf“f^,ìŸ’è

Ž © “ ® ,Æf}fjf...fAf<,ìColorSmartflfvfVf#f“




ColorSmartf\_fCfAf□fOf{fbfNfX,ìf}fjf...fAf<flfvfVf#f“ ,ð'í'ð,·,é,±  
,Æ,É,æ,è□Afn□[ftfg□[f“□A-¾,é,¾□A,“,æ,Ñfjf  
%o□[□\$CEä,ìŸ’è,ª,Å,«,Ü,·□B

Ž © “ ®

,·,×,Å,ì•¶□',É'í,μ,“,·,·,β,·,éŸ’è,Å,·□B,±  
,ìflfvfVf#f“,íColorSmart<Z□p,É,æ,è□AfeLfxfg□AfOf  
%oftfBfbfNfX,Æ,à,É□Afn□[ftfg□[f“□A-¾,é,¾□A,“,æ,Ñfjf  
%o□[□\$CEä,ðŽ © “ ®“í,É□Å“K,ÉŸ’è,μ,Ü,·□B

► Ž © “ ® ,ÅColorSmart,ðŸ’è,·,é□B

 ColorSmartf\_fCfAf□fOf{fbfNfX,ÅŽ © “ ® ,ð'í'ð,·,é□B



ColorSmartf\_fCfAf□fOf{fbfNfX

f}fjf...fAf<

,±,ìflfvfVf#f“,ð'í'ð,·,é,Æ□AfeLfxfg□AfOf  
%oftfBfbfNfX,Æ,à,É□Afn□[ftfg□[f“□A-¾,é,¾□A,“,æ,Ñfjf  
%o□[□\$CEä,ìŸ’è,ª}fjf...fAf<,Å,“,±,É,ì,Ü,·□B

► f}fjf...fAf<,ÅColorSmart,ìŸ’è,ð,“,±,É,ª□B

1 ColorSmartf\_fCfAf□fOf{fbfNfX,Åf}fjf...fAf<,ð'í'ð,μ,Ü,·□B

2

flfvfVf#f“f{f^f“,ð'í,ñ,ÅColorSmartflfvfVf#f“f\_fCfAf□fOf{fbfNfX,  
ð•Ž,¾,¾,Ü,·□B

3 Žg—p,·,éCf“fN,ì—Ê,ð²□β,·,é□ê□#□A-¾,é,,·,é,É,Í-  
¾,é,¾Ÿ’è,ìfXf%ofCf\_□[,ð¶¶,É(fCf“fN—Ê□)□A“Z,□i^Å,□j,·,é,É,Í  
%oE,É(fCf“fN—Ê’å)“® ,©,μ,Ü,·□B

4 fn□[ftfg□[f“,Å,í□Afpf^□[f“,·,é,ç,íŠgŽU ,ð'í'ð,μ,Ü,·□B

5 fjf%o□[□\$CEä,Å,í□Afrfrfbfhjf%o□[□A,·,é,ç  
,ìf}fbf`fXfNfŠ□[f“,ð'í'ð,μ,Ü,·□B




ColorSmartflfvfVf#f“f\_fCfAf□fOf{fbfNfXf{fbfNfX



 [-ÚŽŸ](#)

 [Ā“K,ĒfvfŠf“f^,ìŸ’è](#)

fjf%o[ ^ ó ü,Æf,fmfNf ^ ó ü


 HP DeskJet850CfvfŠf“f^,íAfvf%o[ ^ ó ü,ª%oÅ“\  
,ĒfAfvfŠfP[fVf#f“,đŽg—p,μ,Ā,ç,éĕ#Af,fmfNf,Ā,àjfj  
%o[ ,Ā,à^óü,·,é,±,Æ,ª,Ā,«,Ü,·B


fjf%o[ ,Ā^óü,·,é,É,íAfvfŠfP[fVf#f“,ì^óüf\_fCfAf{fbfNfX,Āfjf  
%o[ ^ ó ü,đ’l’đ,μ,Ü,·BWindows,©,çColorSmartfvfŠf“f^fhf  
%ofCfo,đ’l’đ,μ,Ā,,¾,¾,çB

fjf%o[ ,ì^óü•iŽž,íA,SŽí,ìfCf“fNifuf  
%ofbfNfAfvfAfvfAfCfGf[fAf}f“f^j,đ^óü,·,éfy[fW,É,Ç,ì,æ,π  
,É”z’u,·,é,©,É,æ,è,Ü,·BHP DeskJet  
850CfvfŠf“f^,íAColorSmart<Zp,É,æ,è•¶’ ,đ•ªí,μAĀ—Ç,ìjfj  
%o[ [o—í,đ,“,±,É,ç,Ü,·B

fjf%o[ ,ì•¶’ ,ì,đfOfCE[fXfP[f<,Ā^óü,·,é,±  
,Æ,É,æ,èAZžŠŌ,ÆfCf“fN,đß-ñ,·,é,±  
,Æ,ª,Ā,«,Ü,·BfOfCE[fXfP[f<^óü,É,·,é,ÆAfjf  
%o[ ,ì”Z’W,ªfOfCE[ ,ì”Z’W,Ā•\CE»,¾,è,Ü,·Bfjf  
%o[ ,ì•¶’ ,đfOfCE[fXfP[f<,Ā^óü,·,é,É,íAColorSmart,ìf\_fCfAf{fbfNfX,  
ĀfOfCE[fXfP[f<,Ā^óüf`fFfbfNf{fbfNfX,đf`fFfbfN,μ,Ü,·B



 [ColorSmartfVfVf#f“  
f\\_fCfAf{fbfNfX](#)

 [HP  
ColorSmartfvfŠf“f^fhf  
%ofCfo](#)

-ÚŽŸ

ŠeŽí—pŽt,ì'í'ð

# OHPftfBf<f€,ì^óü



OHPftfBf<f€,ì'Á•Ê,ÈŽæ,è^μ,ϕ,ª•K—

v,Ä,·□BColorSmartf\_fCfAf□fOf{fbfNfX,Ä,ì□Ý'è,É,æ,è□A^óü•iŽì,ª•ì,í,è,Ü,·□B

## ▶ OHPftfBf<f€,ì^óü

1 HPfvfCEf~fAf€OHPftfBf<f€,ìfUf%ofUf%o,μ,½-Ê,ð  
%ooª,É□Afe□[fv,ì,é•ù,ð□æ,É,μ,ÄfgfCEfC,ÉfZfbfg,μ,Ü,·□B

HPfvfCEf~fAf€OHPftfBf<f€,ì□A,±,ìHP DeskJetfvfŠf“f^—p,ÉŠJ”-  
,³,é,½,à,ì,Ä,·□B

2 ColorSmartf\_fCfAf□fOf{fbfNfX,ðŠJ,ϕ,Ä^È%ooª,ì□Ý'è,ð□s,Ä,Ä,-  
,¾,¾,ϕ□B

Ž©“®,ð'í'ð,μ,Ü,·□B

^óü•iŽì,ìfxfXfg,ð'í'ð,μ,Ü,·□B

^óü,ìCEü,«,É,Ä,ϕ,Ä□A□c,Ü,½,ì%ooi,ð'í'ð,μ,Ü,·□B

^óü•“□”,ðf^fCfv,·,é,©□ã%oo,ì-î^ó,ðfNfŠfbfN,μ,Ü,·□B



□Ä□lfy□[fW,©,ç^óü,·,é,É,ì^óü□#□~f`fFfbfNf{fbfNfX,ðf`fFfbfN,μ,Ü,·  
□B^óü,ª□i,í,é,Æ□Ä□%oo,lfy□[fW,ª□æ“ª,É,È,è,Ü,·□B

—pŽt,ìŽí—pfvf<f\_fEf“fŠfXfg,ÄOHPftfBf<f€,ð'í'ð,μ,Ü,·□B

—pŽtTfCfYfvf<f\_fEf“fŠfXfg,ÄA4,Ü,½,ìfCEf^□[,ð'í'ð,μ,Ü,·□B

3 OKf{f^f“,ð'í'ð,μ,Ü,·□B

fvfŠf“f^,ìOHPftfBf<f€,ð□o—í,·,é-

^,ÉŽ©“®“ì,ÉŠ£‘žžŠÓ,ð,Æ,è,Ü,·□B^óü,ð'±

,·,é,É,ìfvfŠf“f^,ì'O-Ê,ìfCEfwf...□[f€f{f^f“ □,ð%oÿ,μ,Ü,·□B

□Ä—Ç,ìfj%oo□[^óü,ì•iŽì,ð•Ü,Ä,É,ì□AftfBf<f€

,ð^óüCEã10□`15•ªSÖ,“,ϕ,Ä,©,ç•ÚCEì'Ü,É“ü,é,é,æ,π,É,μ,Ä,-

,¾,¾,ϕ□B□\•ªSE‘ž,¾,¾,é,ì%oo~,é,â'p□F,ª“ð,·,ç,é,Ü,·□B



—pŽt,ìfZfbfg

ColorSmartf\_fCfAf□fOf{fbfNfX

HPfvfCEf~fAf€□ê  
—pŽt,ì^óü



**-ÚŽŸ**

**ŠeŽí—pŽt,ì'í'ò**

••“>,ì^óü



<<ŽtfgfCfC,É^è“x,ÉfZfbfg,Á,«„é••“>,í15-†,Ü,Á,Á,·□B,Ü,½□AZè□,μ—pŽtftfB□[f\_,ðŽg,Á,Ä□i<<ŽtfgfCfC,©,ç—pŽt,ðŽæ,è□œ,©,É,ç,Ä□j••“>,ð1-†—,é,±,Æ,ª,Ä,«„Ü,·□B

Žè□,μ—pŽtftfB□[f\_Žg—pŽž□A••“>,Æ—pŽt,ÉCEðCEÝ,É^óü,·,é,±,Æ,ª,Ä,«„Ü,·□B,±,ì<@“\,í•□ÉŽt,Æ••“>,ð'±,“Ä^óü,·,é,Æ,«„É-ð,É—š,ì,Ü,·□B

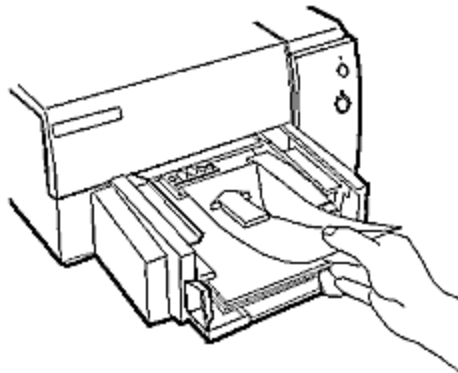
**Note:** □Ä—Ç,ì^óü•iŽì,ð“¾,é,Æ,Æ,à,É□Afy□[fpftfB□[fhf□□[f%ö,É••“>,ð<ì,Ü,ç,¹,É,ç,½,ß,É,í□Aft□[fU□[fyfKfCfh,É<L□Ú,³,ê,Ä,ç,é—pŽtCEú,ì••“>,ðŽg—p,μ,Ä,¾,¾,ç□B

► **Žè□,μ—pŽtftfB□[f\_,ðŽg,Á,Ä••“>,ð^óü,·,é□B**

- 1 Žè□,μ—pŽtftfB□[f\_,ð□¶  
%öE,É^Ú“®,³,¹□A••“>,ì•□,É□‡,í,¹,Ü,·□B
- 2 ••“>,ðŽè□,μ—pŽtftfB□[f\_,ìfXf□fbfg,É□A^óü-É,ð%öE,É,μ,Ä“É,«“-½,é,Ü,Ä□,μ□ž,Ý,Ü,·□B

fjXf^fCfTfCfY—pŽt,ì^óü

—pŽt,ìfZfbfg

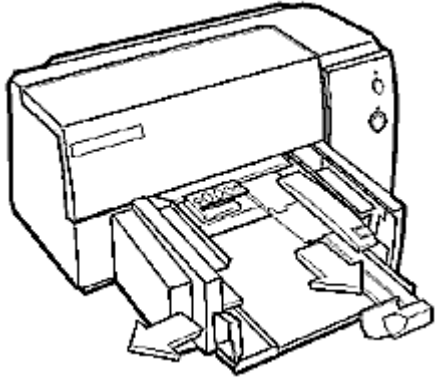


- 3 •K—v,É%ž,¶,ÄŽè□,μ—pŽtftfB□[f\_,ð□Ä,Ñ^Ú“®,³,¹□A••“>,ì%öE[‘,ª<<ŽtfgfCfC,ì%öE‘x,É,»„è,x,æ,x,É²□®„μ,Ü,·□B

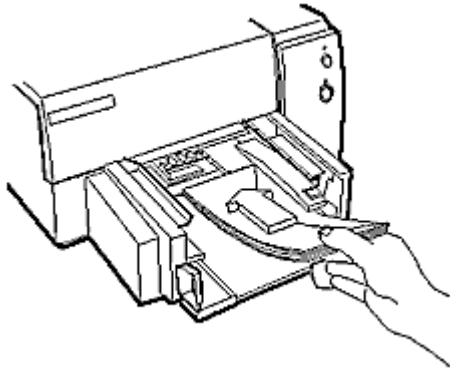
- 4 fvšš“f^fhf%öfCfo,ì^óü□Ý'è,ð□A••“>,ìŽí—p□AftfCfY□A^óü•ûCEü,É□‡,í,¹,Ü,·□BŽè□,μ—pŽtftfB□[f\_,ð%öE,Ü,½,í□¶,É“®„©„μ,Ä□A••“>,ì•□,É□‡,í,¹,Ü,·□B

► **<<ŽtfgfCfC,ðŽg,Á,Ä••“>,ð^óü,·,é□B**

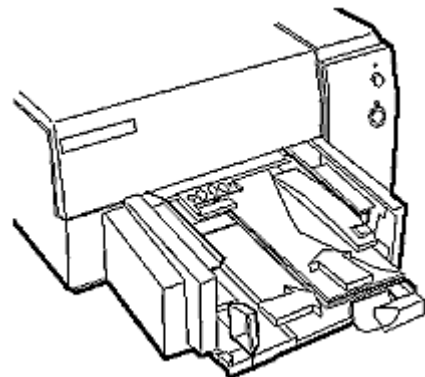
- 1 —pŽt•□²□®fCEfo□[f\_,ð^Ú“®,³,¹□A^è”ÔŠO‘x,Ü,Äšg,°,Ü,·□B



- 2 —pŽt', 3'2 @fCefo [ , δ ^ ø , « o , μ A « Ž t f g f C e f C , © , ç , , x , Ä , l — p Ž t , δ Ž æ , è □ œ , « , Ü , · □ B
- 3 □ Å ' å 15 - † , Ü , Å , l • • " > , δ Ž æ , è □ o , μ □ A • • " > , l ' Z • Ó , δ • ½ , ç , È - Ê , l □ ä , É — š , Ä , Ä C y , , ½ , ½ , « □ A , æ , ' μ , l , Ü , · □ B
- 4 « Ž t f g f C e f C , É • • " > , δ ^ ¶ - ¼ , l - Ê , δ % ° E , μ , Å □ i , Ó , ½ , l • " • a , δ □ ä , É , μ , Ä □ j , É ' u , « , Ü , · □ B



- 5 • • " > , l □ Ü , è - Ü , l , , é , Ó , ½ , l ' [ , a « Ž t f g f C e f C , l % ° E ' α , É , » , è , Ä , Ä , ç , é , ± , Æ , δ š m " F , μ , Ü , · □ B
- 6 —pŽt' • ' 2 □ @fCefo [ , δ □ A • • " > , l □ ¶ ' [ , Æ ^ ê ' v , , é , Ü , Å % ° E , Ó , , ç , μ , · □ B



- 7 —pŽt', 3'2 @fCefo [ , δ • • " > , l • û , Ö □ A Ž ~ , Ü , é , Ü , Å % ° Ÿ , μ □ ž , Ý , Ü , · □ B

••“>,ª<<ŽtfgfCEfC,ì't,Å”g,đ,α,Á,Ä,ç,È,ç,±,Æ,đŠm”F,μ,Û,·□B

- 8 ColorSmartf\_fCfAf□fOf{fbfNfX,Å□A—pŽt,ìŽí—p,Æ—  
pŽtTfCfY,đ□AfvfŠf“f^,ÉCE»□ÝfZfbfg,³,è,Ä,ç  
,é••“>,ìfTfCfY,É□Ý’è,μ,Û,·□B



## **-ÚŽŸ**

### **ŠeŽí—pŽt,ì'í'ò**

# fjXf^f€TfCfY—pŽt,ì^óü

fjXf^f€TfCfY—pŽt,ì^óü  
p,μ,½,çfTfCfY,Æ±,í,È,çê±AColorSmartf\_fCfAfOf{fbfNfX,©,çŽ  
©—R,ÉfTfCfY,ð'è< , ,é,±,Æ,â,Ä,«,Ü,·B

—pŽt,ìfZfbfg

••>,ì^óü

HP DeskJet850CvfjXf^f€TfCfY,ì<ŽtfgfCfC,É,íA—pŽt',Æ—  
pŽt,ðŠÈ'P,É'²@,Ä,«,éCfCfo[ , ,è,Ü,·B—  
pŽt,ì,1100mm² 216mm²A—pŽt',ì148mm² 356mm,ì'í'í,Ä,·B

**Note:** Ä—Ç,ì^óü•iŽ,ð³/4,é,Æ,Æ,à,ÉA<<Žtff%o,ìŽt<ì,Ü,è,ð-  
h,®,½,ßAŽŸ,ìd,³,ì—pŽt,ðŽg—p,·,é,±,Æ,ð,,·,·,ß,μ,Ü,·B

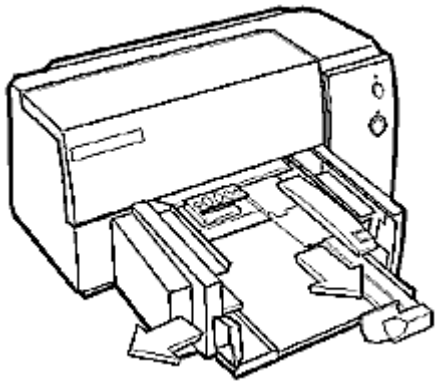
•'ÊŽtF60` 135 g/•½•ûf[fgf<

••@>F75` 90 g/•½•ûf[fgf<

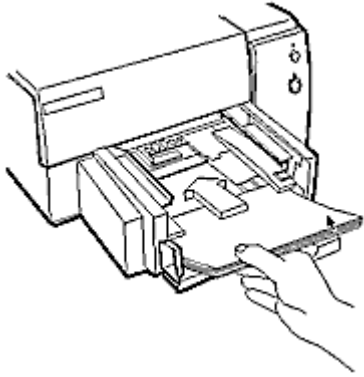
fj[fhF110` 200 g/•½•ûf[fgf<

## **fjXf^f€TfCfY,ì—pŽt,ì^óü**

- 1 ColorSmartf\_fCfAfOf{fbfNfX,ÄfjXf^f€f{f^f",ð'í'ò,μ,Ü,·B  
fjXf^f€—pŽtTfCfYf\_fCfAfOf{fbfNfX,âC»è,Ü,·B
- 2 ³,μ,ç'P^Êif[fgf<^fCf" f" j,â'í'ò,³,è,Ä,ç,é,±  
,Æ,ðŠm" F,μ,Ä,,³/4,³,çB
- 3 —pŽtTfCfY,ì%o,É, ,éA•,Æ',³,ìftfB[f<fh,ÉŽg—p,·,é—  
pŽt,ì•,Æ',³,ð"ü—ì,μ,Ä,,³/4,³,çB
- 4 OK,ðfNfŠfbfN,μ,Ü,·B
- 5 —pŽt•fCfCfo[ ,Æ—pŽt',³²@fCfCfo[ ,ð,ç,Ä,ì,ç  
,Ü,ÄŠg,°,Ü,·B



- 6 <<ŽtfgfCfC,ì%oE'x,É%o^ ,x,æ,x,É—  
pŽt,ð19mm,ð', ,È,ç, ,³,ì'í'í,ÄA^óü—È,ð%o,É,μ"È,«—  
,½,é,Ü,Ä'}"ü,μ,Ü,·B



7 —pŽt,ì'[,É,«,¿,ñ,ÆftfBfbfg,·,é,æ,æ,É□A'·,³,¨,æ,Ñ•□,ì—  
pŽt'²□@fCEfo□[,ð□Ý'è,μ,Û,·□B

8 ^óü,ì□€"ö,º□@,Á,½,ç□AfAvfšfP□[fvf#f",ìftf@fCf<f□fjf...  
□[,ì^óüf\_fCfAf□fOf{fbfNfX,©,ç□AZg—p,·,é—pŽt,ìŽí—  
P□AfTfCfY□A^óü,ì□Eü,«,È,Ç,ð□Ý'è,μ,Û,·□B

—pŽtftfCfY,ì□Ú□×,É,Â,ç,Ä,Í□Aft□[fU□[fyf}fjf...fAf<,ðŽQ□Æ,μ,Ä,-  
,¾,³,ç□B



**-ÚŽŸ**

**ŠeŽí—pŽt,ì'ò**

# HPfvfCEf~fAf€□ê—pŽt,ì^ó□ü

•¶□,ì-Ú"l,Æ—v<□•iŽž,É,æ,è□A^ó□ü,ÉŽg—p,·,é—pŽt,ìŽí—  
 p,æCE^,Ü,è,Ü,·□BColorSmartf\_fCfAf□fOf{fbfNfX,Á'ì,ñ,¾—pŽt,ìŽí—  
 p,æ□AfvfŠf" f^,ÉfZfbfg,μ,½—pŽt,É□‡,Á,Ä,ç,é,±,Æ,ðŠm" F,μ,Ä,-  
 ,¾,¾,ç□BfvfŠf" f^fhf%ofCfo,í'ò,μ,½"}'ì,ìŽí—  
 p,É□‡,í,¹,Äfy□[fW,É^ó□ü,·,éfcf" fN,ðfRf" fgf□□[f<,μ,Ü,·□BColorSmartf\_f  
 CfAf□fOf{fbfNfX,Á'ì,ð,μ,½—pŽt,ìŽí—  
 p,Æ^Ü,É,é□è□‡,É,í□A^ó□ü•iŽž,æ'á%o,μ,Ü,·□B

—pŽt,ìfZfbfg

**—pŽt,ìŽí—p,ð'ì,·,é□B**

1 ColorSmartf\_fCfAf□fOf{fbfNfX,ðŠj,ç,Ä□A—pŽt,ìŽí—  
 p,ìfŠfXfgf{fbfNfX,Á%oCEü,«,ì-ì^ó,ðfNfŠfbfN,μžg—p%oÁ"\,É—  
 pŽt,ìŽí—p,ð•\Žì,¾,¾,Ü,·□B

ColorSmartf\_fCfAf□fOf{fbfNfX

, ,é,ç,í

TABfL□[,ð%oÿ,μ,Ä—pŽt,ìŽí—bfŠfXfgf{fbfNfX,ðfnfCf  
 %ofCfg,¾,¹□AALT(GRPH)+%oCEü,«-î^ó,ð%oÿ,μ□A—pŽt,ìŽí—  
 p,ð•\Žì,¾,¾,Ü,·□B

2 ^ó□ü,ÉŽg—p,·,é—pŽt,ìŽí—p,ðfNfŠfbfN,μ,Ü,·□B

, ,é,ç,í

-î^ófL□[,ð%oÿ,μ,ÄCE»□ÿ,ì^ó□üfWf†fu,É□‡,æ—pŽt,ìŽí—p,ðfnfCf  
 %ofCfg,¾,¾,Ü,·□B

•□'ÉŽt - f{f"fhŽt□Afrfs□[—pŽt□A,í,æ,«□A,¨,æ,Ñ••>

**HP OHPftfBf·f€** - □ê—pOHPftfBf·f€,Ö,ìfj

%o□[,Ü,½,ìf,fmfNf□^ó□ü—p□B2-  
 ‡^É□ä^ó□ü,·,é□è□‡□AfvfŠf" f^,í,P-‡^ó□ü,·,é,²,Æ,Éfcf" fN,ðŠÉ  
 ,©,¹,é,½,ß,É□"•æSÓ'Ó,ç,Ü,·□B

**HP OHPftfBf·f€(f)□[fY□SCEä•t,«)** -

Ž¼"x,æ□,ç□è□‡□AftfBf·f€□ä,ìfcf" fN,ìŠÉ,«,í'x,-  
 ,É,è,Ü,·□BfvfŠf" f^,í,P-  
 ‡^ó□ü,·,é,²,Æ,É'âž~ ,μ,Ü,·□B^ó□ü,ð□ÄŠj,·,é'O,É"rŽtfgfCEfC,©,  
 çftfBf·f€,ðžæ,è□o,μ,Ä,-  
 ,¾,¾,ç□B^ó□ü,ð□ÄŠj,·,é,É,ìf\_fCfAf□fOf{fbfNfX,ìOKf{f^f",ðfNf  
 ŠfbfN,μ,Ä,,¾,¾,ç□B

**HPCEö'òŽt** - fjj%o□[,ì□o—í,É"K,μ,½□ê—pCEö'òŽt□B2-

‡^É□ä^ó□ü,·,é□è□‡□AfvfŠf" f^,í,P-‡^ó□ü,·,é,²,Æ,Éfcf" fN,ðŠÉ  
 ,©,¹,é,½,ß,É□"•æSÓ'Ó,ç,Ü,·□B

**HPCEö'òŽt(f)□[fY□SCEä•t,«)** -

Ž¼"x,æ□,ç□è□‡□ACEö'òŽt,ìfcf" fN,ìŠÉ,«,í'x,-  
 ,É,è,Ü,·□BfvfŠf" f^,í,P-  
 ‡^ó□ü,·,é,²,Æ,É'âž~ ,μ,Ü,·□B^ó□üfWf†fu,ð□ÄŠj,·,é'O,ÉfvfŠf" f^  
 ,ì"rŽtfgfCEfC,©,ç—pŽt,ðžæ,è□o,μ,Ä,-  
 ,¾,¾,ç□B^ó□ü,ð□ÄŠj,·,é,É,ìf\_fCfAf□fOf{fbfNfX,ìOKf{f^f",ðfNf  
 ŠfbfN,μ,Ä,,¾,¾,ç□B

HPfvfCEf~fAf€fCf“fNfWfFfbfgê—pŽt -  
□,•iŽžf,fmfNf□,Ů,½,lfjf%□[□o—í—p,Å,·□B



 [-ÚŽŸ](#)

 [ŠeŽí—pŽt,ì'í'ð](#)

fOfCE[fXfP[f<^óü



fjf%o[.ì•¶',lfhf%oftfg"Å,ðfOfCE[fXfP[f<,Å^óü,·,é,±  
,Æ,É,æ,èŽžŠŌ,ÆfCf"fn,ìÅ"i,âCEyCE,Å,«,Ü,·BfOfCE[fXfP[f<,Å,ìfC  
f[fW^—,Å,ìAfjf%o[.ì"Z"x,âfOfCE[.ì"Z'W,Å•\CE»,³,è,Ü,·B



**fOfCE[fXfP[f<,Å•¶',ð^óü,·,éB**



ColorSmartf\_fCfAfOf{fbfNfX,ÅAufOfCE[fXfP[f<,Å^óüv,ìf`fFbf  
Nf{fbfNfX,ð'í'ðif`fFbfNj,μ,Ü,·B





ColorSmartf\_fCfAfOf  
{fbfNfX

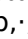


 [-ÚŽŸ](#)

 [ŠeŽí—pŽt,ì'í'ð](#)

 fJf%oo□[ ^ ó □ü


 í•ň,ðfrfWf...fAf<,É•\CE»,:.é□é□#□AfJf  
%oo□[,í<—í,Éfc□[f<,Æ,É,è,Û,:□BfJf%oo□[,ðCEø  
%ooÉ"l,ÉŽg—

 p,:.é,î□A^ ó □ü•",ÉfCf"fpfNfg,ð—  
^,;□ACE©,é□l,É<>—i,ð^ø,«□o,μ□ACE©,½—  
Ú,à—Ç.□Afvf□•À,Ý,ìCEø%ooÉ,ð—^,;l,é,±  
,Æ,ª,Å,«,Û,:□B

 ColorSmart<Z□p,Æ,í□H

 ,ç,Â,C,±,ÅfJf%oo□[,ðŽg,Ꝥ

 ,©

 fJf%oo□[,ì'l,Ñ•û



 -ÚŽŸ

 ŠeŽí—pžt,ì'í'ð

 fff%oo[]^óü

## ColorSmart<Z[]p,Æ,í[]H




HP,ìColorSmart<Z[]p,É,æ,è[],•iž,ìjff  
%oo[][•[]',ašÈ'P,É^óü,Å,«,Ü,·[]BColorSmart,í•[]',ðž©“®,Å•a[]í,μ[]A  
^óü,·,é,Æ,«,É[]Å[],,í•iž,ž,“¾,ç,é,é,æ,æ,Éjff  
%oo[][,ì[]Ý'è,ðž©“®“ì,É,“,±,È,ç,Ü,·[]B

ColorSmart<Z[]p,í[]A•[]',afRf“fsf...[]f^,©,çfvfšf“f^,Ö'—  
,ç,é,é[]Üf[]f,š[]ä,ì•[]',ðfXfLfff“,μ,Ü,·[]B,»,ìCE<%oÉfy[]fW,ì,ç,ì•“•a,ª  
[]AfefLjXfg,©[]Afjf%oo[][,ìCE©[]o,μ,©[]A'P[]f,ÈfOf  
%oofBfbfNfX,©[]AfXfLfffi,É,æ,éžÈ^fCf[]fW,©[]A,È,ç,ðCE^,ß'í[]Ü,ì  
Ží'É,ðCE^'è,μ,Ü,·[]BColorSmart,íŽŸ,É[]Afvfšf“f^,ìjff%oo[]f}fbfv,ìf  
%oofCuf%ofš[][,ð'T,μ[]A,»,é,¾,é,ì'í[]Ü,É%ož,¶,½[]Å“K,Éjff  
%oo[]f}fbfv,ð'ì,Ñ,Ü,·[]B

ffj

%oo[][•[]',ðfOfCE[]fXfP[]f<,Å^óü,·,é[]ê[]#[]AColorSmart<Z[]p,í[]Å“K,Èf  
n[][ftfg[]f“,Æ-¾,é,¾,ðCE^,ß[]AfOfCE[][,ì“Z'W,Åjff%oo[][,ð•\CE»,μ,Ü,·[]B

 **ColorSmart,ìžg,ç•û[]B**

 ColorSmartf\_fCfAf[]fOf{fbfNfX,Åž©“®,ð'í'ð,μ,Ü,·[]B

ColorSmart,í[]A•[]',É[]#,í,¹,Å[]Å“K,Éjff

%oo[][[]Ý'è,ðž©“®“ì,É,“,±,È,ç,Ü,·[]B

ColorSmartf\_fCfAf[]fOf{fbfNfX,Å[]Af}fjf...fAf<flfvfVf#f“,ð'í'ð,·,é,ì[]A,ç  
,Å,À,àColorSmart,ìž©“®[]Ý'è,a'tž~,·,é,±,Æ,ª,Å,«,Ü,·[]B




 HP

ColorSmartfvfšf“f^fhf  
%oofCfo



ColorSmartf\_fCfAf[]fOf  
{fbfNfX

 ž©“®,Æf}fjf...  
fAf<,ìColorSmartflfvfVf  
#f“

☐ -ÚŽŸ

☐ ŠeŽí—pŽt,ì'í'ð

☐ fff%oo[]^óü

,ç,Â,Ç,±,Åffj%oo[][,ðŽg,α,©

☐

ffj%oo[][,ðŒø%ooÉ“l,ÉŽg—p,·,è,Î□A□d—v,È□î•ñ,ðfnfCf  
%ofCf g,<sup>3,1,1/2</sup>,è□A<'2,μ,1/2,è,·,é,±,Æ,<sup>3</sup>Ä,«,Û,·□Bffj%oo[][,ðŒè,Á,ÄŽg—  
p,·,é,ÆŒ©,é□l,ì<C,ð,»ç,<sup>1</sup>Ä,μ,Û,ç,Û,·□B,±,lfKfCfhf  
%ofCf“ ,ðŽQ□Æ,ì,α,ì□A^óü•“ ,ðffj%oo[][,Ä<'2,μ,Ä,Ý,Ä,,<sup>3/4,3</sup>,ç□B

☐ fff%oo[][,í□à-<sup>3/4</sup>,ìŽè'i,Ä, ,è□A□ü,é,<sup>1/2</sup>,ß,ì,à,ì,Ä,í, ,è,Û,<sup>1</sup>,ñ□B  
<sup>1/2,3/4</sup>ü,é,<sup>3/4</sup>,·,ì,1/2,ß,Éffj%oo[][,ð'<sup>1/2</sup>—p,·,é,Æ□A,» ,ìŒø  
%ooÉ,ðŽ,·,ç,©,È,Û,<sup>1</sup>,ñ□B

☐ fff%oo[][,ì'í,Ñ•û

—á□F□'Ž@,ì•“•a,ð•\,·,ì,É□ü,âf{fbfNfX,ì'ä,í,è,Éffj  
%oo[][,ì“wŒi,ðŽg,α,ÆŒø%ooÉ“l,Ä,·□B

☐ Šú'Ò,ðŽì,·,fpf^□[f“ ,Éffj%oo[][,ðŽg,ç,Û,·□B  
^è“x“□è,ì, ,é•\Œ»•û-@,ð,Æ,Ä,1/2,È,ç,ì,» ,è,ð'±,·,Ä,-  
<sup>3/4,3</sup>,ç□B,à,μ,» ,è,©,çŠO,è,é,Æ,« ,ì□A,1/2,<sup>3/4</sup><'2,ì,1/2,ß,<sup>3/4</sup>,·,È—·,ß,Ä,-  
<sup>3/4,3</sup>,ç□B

—á□F•\,ì't,Ä,í□-Œv,ð<'2,·,é,ì,É, ,éffj%oo[][,ðŽg,ç□A'□□#Œv,ð<-  
'2,·,é,ì,É•É,ìffj%oo[][,ðŽg,α,ÆŒø%ooÉ“l,Ä,·□B

☐ —pŽ—,ì□€-Û,âŠT“O,ðfOf<□[fv%oo,μ,1/2,è□A'ŠŒÝ,ìŠÖŒW,ð•\  
μ,1/2,è,·,é,ì,Éffj%oo[][,ðŽg,ç,Û,·□B  
,à,μffj%oo[][,Æ,» ,ì^Ô-i,ÉŠÖ~A,Ä,·,1/2,ç,È,ç,Î□A□□” ,ìffj  
%oo[][,ð'^ó□[,ì,ñ,ÄŽg—p,μ,Ä,,<sup>3/4,3</sup>,ç□B  
—á□F3□`4Žì,ìŽâ—

v,ÈfgfsfbfN,ðŠÛ,bfvfŒf[f“fe□[fvf#f“ ,Ä,í□A□V,μ,çfgfsfbfN,Ô^Û,é,Æ,«  
Œ©□o,μ,ìffj%oo[][,ð•ì,ì,é,ÆŒø%ooÉ“l,Ä,·□B

☐ □•É%oo»,·,é,<sup>1/2</sup>,ß,Éffj%oo[][,ðŽg,ç,Û,·□B  
^è,Ä,ìfCf□□[fW,ì't,Ä^Û,È,é—v'f,ð<æ•É,·,é,É,ì•j□” ,ìffj  
%oo[][,ðŽg,ç□A,<sup>3</sup>,ç,ÉŒ©,â,·,<sup>3</sup>,ð  
%ooü'P,·,é,<sup>1/2</sup>,ß,É,ìfCf□□[fW,ìftfCfY,ð'â,«,,μ,Û,·□B  
—á□F, ,é^è,Ä,ì- fOf%oft,ÉŠÛ,Û,è,é•j□” ,ìffj  
%oo[][ff□[f^ ,ð□A'<sup>1/4</sup>,ì•j□” ,ì- fOf%oft,ì□î•ñ,ÆŠÖ~A,Ä,·,é,±  
,Æ,<sup>3</sup>,Ä,« ,Û,·□B,Û,1/2,ì%o~fOf%oft,ì, ,é•“•a,ð<-  
'2,·,é□è□#□A,» ,ì•“•a,ì,Ý,É□F,ð•t,·,Û,·□B

☐ fff%oo[][,ð'<sup>1/2</sup>,Žg,ç,·,·,È,ç,æ,α,É,μ,Û,·□B  
ffj%oo[][,ðŽg,ç,·,·,È,ç,æ,α,É,·,é,±  
,Æ,É,æ,è□AŽg,Ä,1/2□è□# ,ìfCf“fpfNfg,ð'â,«,,Ä,« ,Û,·□B  
—á□F'n□},ì't,Ä'n□} 'S'ì,Éffj%oo[][,ðŽg,α  
,æ,è,à□AŠÖ□S,ðŽ□,1/2,1'^ó,ð^ø,« ,Ä,·,1/2,ç•“•a,ì,Ý,Éffj  
%oo[][,ðŽg,α•û,<sup>3</sup>,æ,èŒø%ooÉ“l,Ä,·□B

☐

☐ -ÚŽŸ

☐ ŠeŽí—pŽt,ì'í'ð

☐ fJf%oo□[ˆóü

fJf%oo□[,ì'í'ð

☐

ˆóü,É“K□∅,ÈfJf%oo□[,ð'í,Ô,É,í□A fJf  
%oo□[,ì'ŠCEYSŌCEW,É,Â,ç,Ä,İŠî-{'mŽ˘,ª•K—v,Â,·□B□FŠÂ□i  
%ooE□}ŽQ□Æ□j,í□F,ì'g,Ý□‡,í,¹,ð,‡,Û,,',±,È,‡,½,β,É-ð,É—  
Š,ž,Û,·□B

☐

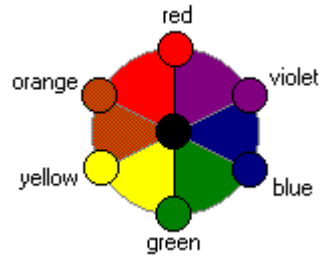
•¶□',ð“□ˆê,·,é,É,í□FŠÂ,©,ç,P,Â,ì□F'Š,ð'í,Ñ,Û,·□B f r f w f...  
fA f<,ÈCE∅%ooÉ,ð“¾,é,É,í□A'í,ñ,¾□F,ì-¾^Ã,ð•í%oo»,³,¹,Û,·□B

☐ □FŠÂ,ìCEY,ç,É<β,ç,Q,A,ì□F'Š,ð'í,Ô,±  
,Æ,É,æ,è□A□Â,Æ—í,È,Ç,ì,æ,‡,É'²~a,ð□¶,Ý□o,·,±  
,Æ,ª,Â,«,Û,·□B

☐ fRf“fgf%ofXfg,ð□¶,Ý□o,·,½,β,É,í□A□FŠÂ,ÂCEY,ç,É—f  
,è,½fJf%oo□[,ð'í,Ñ,Û,·□B—á,í,í□Ô,Æ%oo©□A—  
í,ÆŽ‡,É,Ç,Â,·□B,³,ç,É“wCEi,É,í^Ã□F□A'OCEi,É,í-¾□F,ðŽg—  
p,μ,Û,·□B

☐ □Ô,Æ—í,ì,æ,‡,É□FŠÂ,Â'í□ì^ê'u,É, ,éfJf%oo□[,ðŽg,‡  
,ì,í,,',·,β,μ,Û,¹,ñ□B,μ,©,μ,±,è,ç,ì^ê'g,ì•â□F,ì“Z“x,ð•í  
%oo»,³,¹□ACE∅%ooÉ,ð□,,β,é,Æ,ç,‡•ú-@,à, ,è,Û,·□B

☐



## □F'S

fff%o□[□i□F□Ê□j,Ü,½,í□F□Ê,ìfOf%off□[fVf#f",đ,³,μ,Û,·□Bfff%o□[,í□A□Ô□A—î□A□Â,È,Ç,ì□F'S,ì-  
¼'O,ÅÆÄ,Î,ê,Û,·□B

☑ **-ÚŽŸ**

☑ **—pŽt,ÆfvfŠf“fgfj□[fgfŠfbfW,ìŽg—p-@**

# —pŽt,ìfZfbfg

☑

HP DeskJet850CfvfŠf“f^,í•□'ÉŽt,“,æ,Ñ,»,ì'¼,ì"}ì,É^óü,·,é,±,Æ,ª,Á,«,Ü,·□B

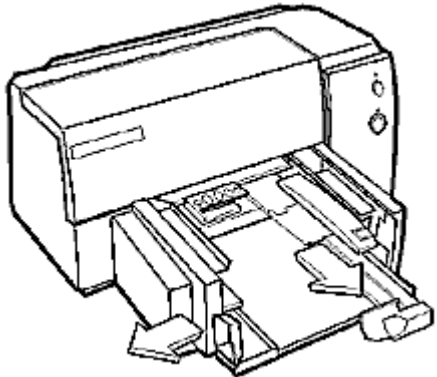
«ŽtfgfÆfC,É—pŽt,ð'Ç%oÁ,·,é,Æ,«,í□A«ŽtfgfÆfC,©,ç,·,x,Ä,ì—pŽt,ðŽæ,è□o,μ□A“Ží,ì—pŽt,ì□V,μ,ç'©,Æ^ê□□,É,μ,Ü,·□B—pŽt,ì'©,ð•½,ç,É-É,É-s,Á,Ä'©,ð,»,è,ì,Ü,·□B«ŽtfgfÆfC,É,í^è“x,É—pŽt□A,í,ª,«□AOHPftfBf<f€,É,ç19mmÉú,Ü,Á□A••“>,í15-†,Ü,ÁfZfbfg,·,é,±,Æ,ª,Á,«,Ü,·□B

,P-†,¾,~^óü,μ,½,ç□ê□†,É,í□A«ŽtfgfÆfC,©,ç,Ü,½,íŽè□,μ—pŽtftfB□[f\_,©,ç^óü,·,é,±,Æ,ª,Á,«,Ü,·□B

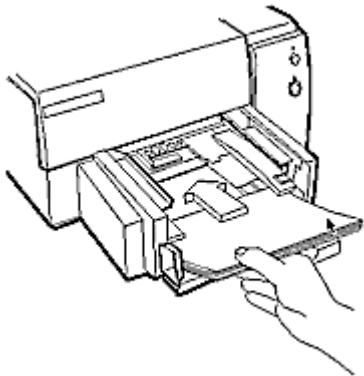
☑ **«ŽtfgfÆfC,É—pŽt,“,æ,Ñ,»,ì'¼,ì"}ì,ðfZfbfg,·,é□B**

1

Žt•□'²□@fÆfo□[,ð□¶'í,ÉŠň,¹□AZt'·,³'²□@fÆfo□[,ð^ø,«□o,μ,Ü,·□B



2 19mmÉú,Ü,Á,ì—pŽt,ì'©,ð^óü-É,ð%o,É,μ,Ä«ŽtfgfÆfC,É“É,«“-½,é,Ü,Á“ü,è,Ü,·□B



3 Žt'·,³'²□@fÆfo□[,ð%Ÿ,μ□ž,Ý,Ü,·□B,±,ì,Æ,«—pŽt,ª«ŽtfgfÆfC,ì†,Á,½,í,ñ,Á,ç,É,ç,±,Æ,ðŠm“F,μ,Ä,,¾,³,ç□B

☑ **fjxf^f€ftfCfy—**

**pŽt,ì^óü**

☑ **••“>,ì^óü**

☑ **HPfvfÆf~fAfe□é**

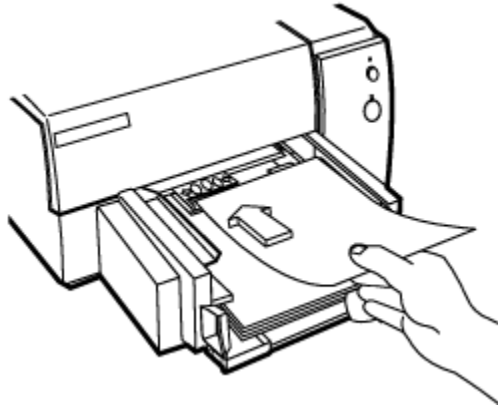
**—pŽt,ì^óü**

☑ **OHPftfBf<f€,ì^óü**



**Žè□,μ—pŽtftfB□[f\_δŽg—p,μ,Ä—  
pŽt,„æ,Ñ,»„ì¼,ì”}’ì,δfZfbfg,·,é□B**

- 1** fZfbfg,·,é—pŽt,ì•□,É□‡,í,¹,Ä□AŽè□,μ—pŽtftfB□[f\_δ□¶  
%°E,É^U“®„μ,Ü,·□B
- 2** Žè□,μ—pŽtftfB□[f\_ìfXf□fbfg,É□A—pŽt,δ^ó□ü—É,δ  
%°°E,μ,Ä“É,«—,½,é,Ü,Ä□,μ□ž,Ý,Ü,·□B



- 3** <<ŽtfgfCfC,ì%°E’α,É—pŽt,ì%°E’[,ª,»„ë,α,æ,α,É□AŽè□,μ—  
pŽtftfB□[f\_δ’²□ß,μ,Ü,·□B
- 4** fvřŠf“f^fhf%°fCfo,Ä□A—pŽt,ìží—  
p□AftfCfY□A•ûCEü,δ□Ý’è,μ,Ü,·□B



**-ÚŽŸ**

**—pŽt,ÆfvfŠf“fgfj□[fgfŠfbfW,ìŽæ—p-@**

**fvfŠf“fgfj□[fgfŠfbfW,ìŽæ,è•t,~**

HP DeskJet850CfvfŠf“f^,É,í□•,Æfjf  
%□□[,ìfvfŠf“fgfj□[fgfŠfbfW,è•t’@,μ,Ä,ç,Û,·□B,±,è,ç,íÆðŠ,à,μ,-  
,ìfNfŠ□[fjf“fO,è•K—v,É,È,é,Û,Å□íŽŽæ,è•t,~,½,Û,Û,É,μ,Û,·□B

**fvfŠf“fgfj□[fgfŠfbfW,ìŽæ,èŠO,μ**

**1** “dCE¹f{f^f” ÷,ð%Ÿ,μ,Ä“dCE¹,ðfjf”,É,μ,Û,·□B

“dCE¹f%of“fv ÷,è” “”,μ,Û,·□B

**2** fvfŠf“f^,ìfgfbfvfjfo□[,ðŠj,~,Û,·□B

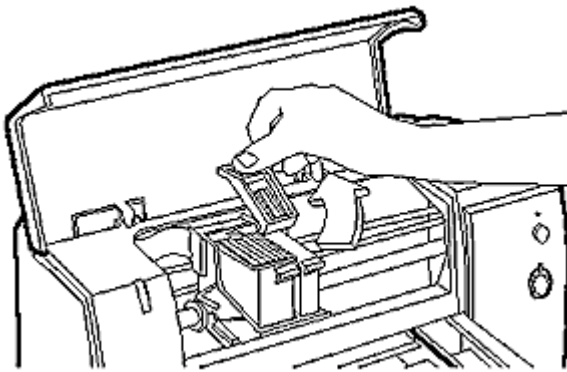
fvfŠf“fgfj□[fgfŠfbfWfzf<f\_,èfvfŠf“f^,ì’t%□,Ö^Ú”@,μ□AfŠfWf...

□[f€f%of“fv ÷,è” —Å,μ,Û,·□B

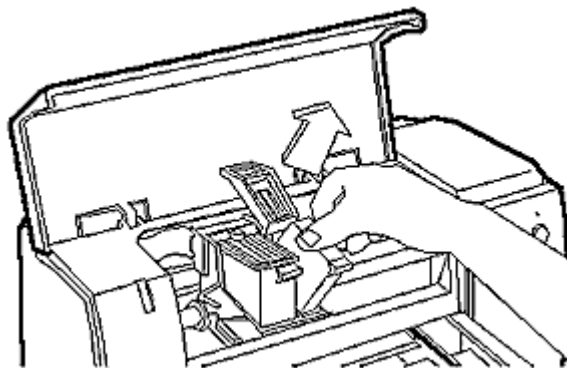
**3** fvfŠf“fgfj□[fgfŠfbfW,ì—

~,ß<à,ð^ø,«□ã,°□AfvfŠf“fgfj□[fgfŠfbfW,ì“è•” ,ð,Ä,©,ñ,Å□AZè’O

,É^ø,,ÆfvfŠf“fgfj□[fgfŠfbfW,è,è,é,ÿ,Û,·□B



**4** fvfŠf“fgfj□[fgfŠfbfW,ðfzf<f\_,©,çŽæ,è□o,μ,Û,·□B



**5** fvfŠf“fgfj□[fgfŠfbfW,è<ó,É,È,Á,Ä,ç,½,ç”pŠü,μ,Û,·□B

**fvfŠf“fgfj□[fgfŠfbfW,ìŽæ,è•t,~**

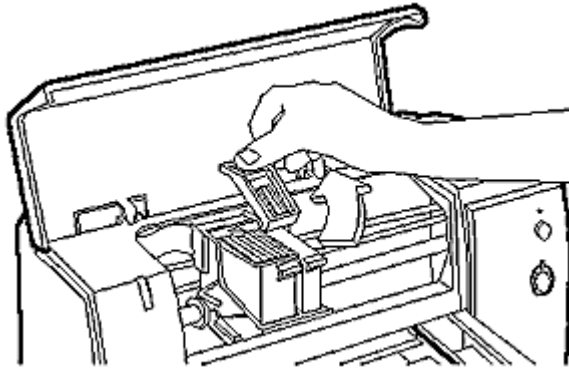
**1** “dCE¹f{f^f” ÷,ð%Ÿ,μ,Ä□AfvfŠf“f^,ì“dCE¹,ðfjf”,É,μ,Û,·□B

“dCE¹f%of“fv ÷,è” “”,μ,Û,·□B

**2** fvfŠf“f^,ìfgfbfvfjfo□[,ðŠj,~,Û,·□B

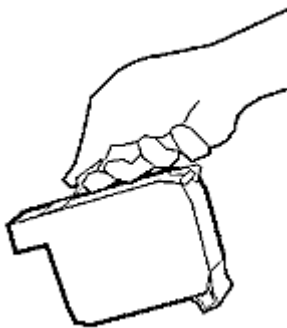


fvfŠf“fgfj[]fgfŠfbfWfzf<f\_ ,afvfŠf“f^ ,ì‘+‰>,É^Ú“ @ ,μ[]AfŠfWf...  
 [][f€f%∞f“fv □ ,a“ -Å,μ,Û,·□B  
**3** fvfŠf“fgfj[]fgfŠfbfW—p— ,β<à,ð,Q,Â,Æ,àŠO,μ,Û,·□B

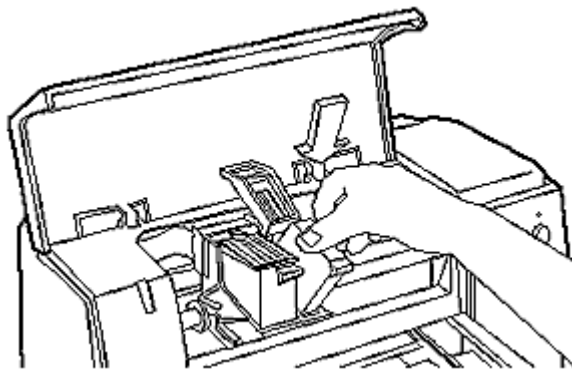


**4** fvfŠf“fgfj[]fgfŠfbfW,ð•ì‘•” ,©,çŽæ,è□o,μ[]AfCf“fNfmfYf<,ð•ç  
 ,A,Â,ç,éfe[][fv,ð□Å,©,É”□,μ,Û,·□B

**Note:** fCf“fNfmfYf<,â<à‘ @ ,ì□Ú“ \_ ,É,í□G,ê,È,ç,Â,,¾,¾,ç□B

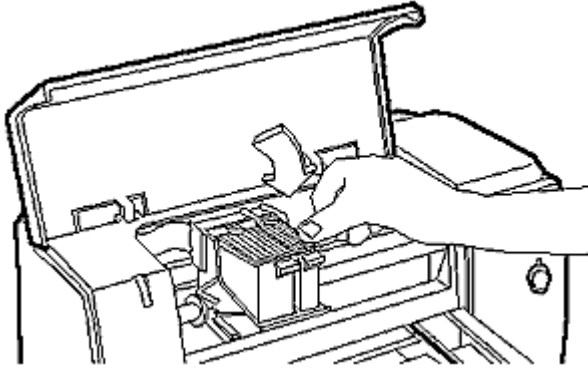


**5** fvfŠf“fgfj[]fgfŠfbfW,ðfzf<f\_ ,É‰ÿ,μ□ž,Ý,Û,·□B



**6** fvfŠf“fgfj[]fgfŠfbfW,ì—  
 ,β<à,ð, ,è,μ,Åfj[][fgfŠfbfW,ðCEÀ‘è,μ,Û,·□B

**Note:** fvfŠf“fgfj[]fgfŠfbfW,ì— ,β<à,μ,Q,Â,Æ,àf[]bfN,¾,è,Ä,ç  
 ,é,±,Æ,ðŠm”F,μ,Û,·□B



7 fvfŠf“f^,ìfgfbfvj]fo[.ð•Â,¶,Û,·□B  
 fvfŠf“fgf]□[fgfŠfbfWfzf<f\_,ª□ufz□[f€□vf]fWfVf#f“,É-  
 ß,è□A fŠfWf...□[f€f%of“fv □,ª□A,ì,Û,·□B

**Note:**

,Q,Â,ìfvfŠf“fgf]□[fgfŠfbfW,ì,Ç,ì,ç,©,ªfCf“fN□Ø,è,É,È,Á,½□ê  
 □#□A<ó,ìfvfŠf“fgf]□[fgfŠfbfW,ðƐðŠ·,µ,Û,·□B□V,µ,çfvfŠf“fgf  
 ]□[fgfŠfbfW,ª,É,ç  
 ,Æ,«,í□A<ó,ìfvfŠf“fgf]□[fgfŠfbfW,ðŽæ,è•t,¯,½,Û,Û,É,µ,Ä,¯,  
 ç,Ä,,¾,¾,¾,ç□B,±,è,ì,þ,«□o,µ,Æ,È,Á,Ä,ç,é“d<É,ì%~ ,è,ð-  
 hŽ~,·,é,½,ß,Â,·□B

fvfŠf“fgf]□[fgfŠfbfW,ì  
 Ž²□±,í,¹



 -ÚŽŸ

 -pŽt,ÆfvfŠf“fgfj□[fgfŠfbfW,ìŽ²□‡,í,¹

fvfŠf“fgfj□[fgfŠfbfW,ìŽ²□‡,í,¹



,ç, ,è, ©, ìfvfŠf“fgfj□[fgfŠfbfW, ðŒðŠ, μ, ½, è□V, μ, -  
fZfbfg, μ, ½, è, μ, ½, Æ, «, Ì□AfvfŠf“fgfj□[fgfŠfbfW, ìŽ²□‡, í, ¹, ð•K—  
v, Â, ·□B, ±, è, É, æ, è□•, Æfjf%□□[, ìfCf“fN, ð□AfeJfXfg, ì“~ , Ìf  
%□□Cf“ , à□A“~ , ÌfOf%□□ftfBfbfN“ à, Â□A~A'±□□, ð, à, Â, Â^è'v, ·, é, æ, x  
, É□³, μ, ^ó□ü, ³, è, Ü, ·□BfvfŠf“fgfj□[fgfŠfbfW, ìŽ²□‡, í, ¹, É, æ, è□Afff  
%□□[, Æ□•, ìfCf“fN, ð□~ , ´, é, ±, Æ, ð□, È, , È, è□A□•, Æfjf  
%□□[, ìfCf“fN, Æ, ÌŠÔ, ìfXfy□[fX, ð, ð□~ , ³, , Â, «, Ü, ·□B



**fvfŠf“fgfj□[fgfŠfbfW,ìŽ²□‡,í,¹**

1 fvfŠf“f^ , ì“ dŒ¹, ðfif“ , Â , è□A“dŒ¹f%□□f“fv □ , ð“ \_ “” , μ, Ä, ç, é, ± , Æ, ðŠm“F, μ, Ä, , ¾, ³, ç□B

2 HP DeskJetft□[fefBfŠfefBfvf□fOf%□□f€fOf<□[fv, ÌHP DeskJetfXfe□[f^fXf, fjf^fAfCfRf“ , ðf\_fuf<fNfŠfbfN, μ, Ü, ·□B

3 f□f“fefif“fXf□fjf... □[, ©, çfvfŠf“fgfj□[fgfŠfbfW, ìŽ²□‡, í, ¹, ð'I'ð, μ, Ü, ·□B fvfŠf“f^ , Ì□A, Q, Â, ìŽ²□‡, í, ¹, fpf^□[f“ , ð^ó□ü, μ, Ü, ·□B

4 %□□æ-È, ìŽwŽ!, É□] , Â, ÆfvfŠf“fgfj□[fgfŠfbfW, ìŽ²□‡, í, ¹, ÌŒ<%□□È, ð“ü—Í, μ, Ä, , ¾, ³, ç□B



**-ÚŽŸ**

**-pŽt,ÆfvfŠf“fgfj[]fgfŠfbfW,ìŽg—p-@**

# fvfŠf“fgfj[]fgfŠfbfW,ìfNfŠ[]fjff“fO

^óü,µ,½fefLxf,âfOf%ftfBfbfNfX,ìü,âfhfbfg,², -, Ä, ç, ½, çfvfŠf“fgfj[]fgfŠfbfW,ìfNfŠ[]fjff“fO, ð, “, ±, È, Ä, Ä, -, ¾, ç, çBfvfŠf“fgfj[]fgfŠfbfW,ìfNfŠ[]fjff“fO, í[]AWindows, ìHP DeskJetfXfe[]f^fXf, fjj^, Ü, ½, ìfvfŠf“f^‘O-Ê, ìf{f^f“, ðŽg, Ä, Ä, “, ±, È, æ, ±, Æ, ä, Ä, «, Ü, ·[]B

**Note:** fvfŠf“fgfj[]fgfŠfbfW,ìfNfŠ[]fjff“fO, í[]A•K—v, È, Æ, «, ì, Ý, “, ±, È, Ä, Ä, , ¾, ç, çBfNfŠ[]fjff“fO, ìŽAZ{, í[]AfCf“fN, ð[]Ä-Ö, , é, ì, ÆfvfŠf“fgfj[]fgfŠfbfW, ìžö-½, ð[]k, Æ, é, ±, Æ, È, È, è, Ü, ·[]B

**HP**

**DeskJetfXfe[]f^fXf, fjj^, ©, çfvfŠf“fgfj[]fgfŠfbfW, ðfNfŠ[]fjff“fO, , é, û-@[]B**

- 1 HP DeskJetf[]f^fBfŠfefBfvf[]fOf%of€fOf<[]fv, ìHP DeskJetfXfe[]f^fXf, fjj^fAfCfRf“, ðf\_fuf<fNfŠfbfN, µ, Ü, ·[]B  
HP DeskJetfXfe[]f^fXf, fjj^, ä•\Žì, ¾, è, Ü, ·[]B
- 2 f[]f“fefif“fXf[]fjff...  
[]l, ©, çfvfŠf“fgfj[]fgfŠfbfW, ìfNfŠ[]fjff“fO, ð‘ì, ð, µ, Ü, ·[]B
- 3 •\Žì, ¾, è, ½f\_fCfAf[]fOf{fbfNfX, Ä•\–  
ÊfNfŠ[]fjff“fO, ðfNfŠfbfN, µ, Ü, ·[]B  
, Pfy[]fW, ì^óü, ä[]s, í, è[]AfNfŠ[]fjff“fO, ä[]³[]í, È[]s, í, è, ½, ±, Æ, ðŽì, µ, Ü, ·[]B%œ-Ê, ìŽwŽì, È[]], Ä, ÄfNfŠ[]fjff“fO, ð[]l–  
¹, ¾, ¹, Ü, ·[]B

**HP**

**DeskJetfXfe[]f^fXf, fjj^, È, Ä, ç, Ä**

**f**

**fvfŠf“f^, ìf{f^f“, ðŽg, Ä, ÄfvfŠf“fgfj[]fgfŠfbfW, ìfNfŠ[]fjff“fO, ð, “, ±, È, æ, û-@[]B**

- 1 fvfŠf“f^, ì“dCE¹, äfif“, ì[]ó‘Ô, È, Ä[]A“dCE¹f{f^f“ ÷, ð%ö, µ‘±, -, Ü, ·[]B
- 2 “dCE¹f{f^f“ ÷, ð%ö, µ, È, ä, ç[]AfŠfWf...[]f€f{f^f“ **f**, ð, V%öñ%ö, µ, Ü, ·[]B
- 3 “dCE¹f{f^f“ ÷, ð•ú, µ, Ü, ·[]B

**f**

 [-ÚŽŸ](#)

 [^óü,É-â'è,à, ,é,Æ,«](#)

 «”\,ìŠm”F



^È%º,ìf“fefif“fX,ðŽÀŽ{,·,é,±  
,Æ,É,æ,èAfvfŠf“f^,ìó’Ò,ðŠm”F,μ,½,èAfpfH[f]f“fX,ð  
%ñ•œ,<sup>3,1,½</sup>,è,·,é,±,Æ,à,À,«,Ü,·B

**fvfŠf“f^,ìfZf<ftfefXfg**

□@fvfŠf“f^,ìfZf<ftfefXfg,ðs,çAfvfŠf“f^,à<sup>3</sup>,μ,<@”\,μ,Ä,ç,é,©,Ç,κ  
,©AfP□[fuf<,ìU’±,à<sup>3</sup>,μ,,Ä,«,Ä,ç,é,©,Ç,κ,©,ð`fFfbfN,μ,Ü,·B

**fvfŠf“fgfJ□[fgfŠfbfW,ìNfŠ□[fjf“fO**

□@^óü•iŽ,ì’á%º,à-U—  
š,À,½,èAfwf<fvf□fbfZ□[fW,ÀfNfŠ□[fjf“fO,ìŽwŽ!,<sup>a</sup>, ,À,½,è,μ,½,Æ,«,í  
□AfvfŠf“fgfJ□[fgfŠfbfW,ìNfŠ□[fjf“fO,ðŽÀŽ{,μ,Ä,,<sup>3/4,3</sup>,çB

**fvfŠf“fgfJ□[fgfŠfbfW,ìŽ<sup>2</sup>□‡,í,<sup>1</sup>**

□@,ç  
,,è,©,ìfvfŠf“fgfJ□[fgfŠfbfW,ðEðŠ·,μ,½,èAfZfbfg,μ<sup>1/4</sup>,μ,½,è,μ,½,  
Æ,«□A, ,é,ç,ìfwf<fvf□fbfZ□[fW,ÀŽ<sup>2</sup>□‡,í,<sup>1</sup>,ìŽwŽ!,<sup>a</sup>, ,À,½,Æ,«,íAfvfŠf“  
fgfJ□[fgfŠfbfW,ìŽ<sup>2</sup>□‡,í,<sup>1</sup>,ð,“,±,É,À,Ä,,<sup>3/4,3</sup>,çB



-ÚŽŸ

^óü,É-â'è,à, ,é,Æ,«

# fvfŠf“f^,lf{f^f“,Æf%of“fv,ÌŠm”F



fvfŠf“f^,lf{f^f“,Æf  
 %of“fv,lfvfŠf“f^,ÉŠÖ,.,éí•ñ,ð“` ,i,Ü,·BfvfŠf“f^,â^óü,Á,«,éíó’Ô,É,  
 È,é,Æ“dCE¹f%of“fv ÷,â“ “”,µfŠfWf...[f€f%of“fv   
 ,íÁ,!,Ü,·B,o,b,âff[f^,ðfvfŠf“f^,Ö’—,Á,Ä,ç  
 ,é,Æ,«A,“,æ,ÑfvfŠf“f^,â^óü,µ,Ä,ç,é,Æ,«A“dCE¹f%of“fv ÷,â“ -  
 Å,µAfŠfWf...[f€f%of“fv ,íÁ,!,Ä,ç,Ü,·BfvfŠf“f^,â  
 %oo½,ç,©,ì‘€í,ð•K—v,Æ,µ,Ä,ç,é,Æ,«A, ,é,ç,lfvfŠf“f^,ÉfGf%o[ ,â”-  
 ¶,µ,½,Æ,«,íAfŠfWf...[f€f%of“fv ,â“ -Å,·,é,©—¼•û,lf  
 %of“fv,âCEðCEÝ,É“ -Å,µ,Ü,·B  
 —pŽt,âfvfŠf“f^,ÉfZfbfg,³,ê,Ä,ç  
 ,Ä,âfvfŠf“f^,â^óü,µ,É,çêê‡,íAfvfŠf“f^,ì“dCE¹f%of“fv ÷  
 ,ÆfŠfWf...[f€f%of“fv ,ìó’Ô,ðCE©,Ä,,¾,¾,çB,à,µ“dCE¹f%of“fv ÷  
 ,âÁ,!,Ä,ç,é,È,ç,íA“dCE¹fXfCfbf` ÷,ð%ÿ,µ,ÄfvfŠf“f^,ðfif“,É,µ,Ä,-  
 ,¾,¾,çB  
 ,»,é,Á,â^óü,Á,«,É, ,é,íAfvfŠf“f^,ìft[fU[fYf}fjf...fAf<,lfgf  
 %ofuf<fvf...[fg,ì€,,ð,“Ç,Y,,¾,¾,çB,ç,è,ç,è,ÉfGf  
 %o[ ,ìó’Ô,â<Lq,³,ê,Ä,ç,Ü,·B



fvfŠf“f^,lf{f^f“,Æf  
%of“fv



 [-ÚŽŸ](#)

 [^óü,É-â'è,à, ,é,Æ,«](#)

HP, òTf| [fg, ð<sup>3/4</sup>, é, É, Í



,à,µfvfŠf“f^,ðŽg,Á,Ä,ç,é,Æ,«,É-â'è,à<N,±  
,Á,½,É,ç,Í AfvfŠf“f^,òT [fU [fYf} fff...  
fAf<,lfgf%ofuf<fVf... [fg, l€ ,ð,<sup>2</sup>—, -  
,<sup>3/4</sup>,<sup>3</sup>,ç B,»,ê,Á,à-â'è,à  
%òðCE^,Á,«,É,çê#AHP,Í“d~bTf|  
 [fg,ð,Í,ŋ,ß,Æ,µ,Ä AŠeŽÍ,òTf|  
 [fgfT [frfX,ð'ň<Ÿ,µ,Ä,“,è,Ü,·B  
fT [frfX,ì“à—e,É,Á,ç  
,Á,lfvfŠf“f^,òT [fU [fYf} fff...fAf<,ð,<sup>2</sup>—, -  
,<sup>3/4</sup>,<sup>3</sup>,ç B



## fvfŠf“f^—pŽt□Ø,ê

fvfŠf“f^,ì—pŽt,<sup>a</sup>,È,,È,è,Ü,μ,½□B—pŽt,ì<ÿ<<•û-@,í□AfvfŠf“f^,ìfgfbfvjffo□[,ì“à‘α,ìf%ofxf<,ð,<sup>2</sup>—  
,È,È,Á,Ä,ç,½,¾,,©,Ü,½,í□AfvfŠf“f^•t’®,ìft□[fU□[fyfKfCfh,ð,<sup>2</sup>—,,¾,<sup>3</sup>,ç□B

—pŽt,ðfvfŠf“f^,ÉfZfbfg,μ,½,ç□AfvfŠf“f^,ìfÇfWf...□[f€f{f^f“,ð%oÿ,μ,Ä,,¾,<sup>3</sup>,ç□B^óü,ð’±,¯,é,±  
,Æ,<sup>a</sup>,Å,«,Ü,·□B



# Žt<l,Ü,è

fvfŠf“f^,ì—pŽt<l,Ü,è,ª”□¶,μ,Ü,μ,½□B^È%º,ìŽè□‡,É,μ,½,ª,Á,Ä<l,Ü,Á,½—pŽt,ðŽæ,è□œ,‡,Ä,-  
,¾,³,‡□B

1. fgfbfvfjfo□[,ðŠ],¯,Ü,·□B
2. fvfŠf“f^,ìfœfwf...□[f€f{f^f“,ð%ÿ,μ,½,Ü,Ü,É,μ,Ü,·□B—pŽt,ª^è•ùœü,É‘—,‡,è,Ü,·□B
3. fvfŠf“f^,ìfœfwf...□[f€f{f^f“,ð•ú,μ,Ä,©,‡□Ä,Ñ□A“¯f{f^f“,ð%ÿ,μ,½,Ü,Ü,É,μ,Ü,·□B—  
pŽt,ª□æ,Ü,‡,Æ,í”½’í•ùœü,É‘—,‡,è,Ü,·□B—  
pŽt,ªŽæ,è□œ,¯,é,Ü,Á^È□ä,ì‘€□ì,ðœJ,è•Ô,μ,Ü,·□B
4. •K—v,É%ž,¶,ÄfgfœfC,ðŽæ,èŠO,μ,Ü,·□B^ø,Á,©,©,Á,Ä,‡,é—pŽt,ðŽæ,è□œ,«□A—  
pŽt,ð,»„è,¡,Á,©,‡□Ä,ÑfvfŠf“f^,ÉfZfbfg,μ,Ü,·□B
5. fgfbfvfjfo□[,ð•Ä,¶,Ü,·□B
6. fvfŠf“f^,ì“dœ¹,ð^è‘Uflft,É,μ,Ä□Ä,Ñflf“,É,μ,Ü,·□B

# fvfŠf“f^f|[]fg,ì•s<i[]‡

fvfŠf“f^f|[]fg,ìfAfNfZfX,É-â‘è,à, ,è,Ü,·[]B%øðCE^,ì,½,ß%ø<L,ì,±,Æ,ðŽŽ,μ,Ä,,¾,³,ç[]B

- ‘¼,ìfAfvfŠfP[]fVf‡f“,à“^è,ìfvfŠf“f^f|[]fg,ðfAfNfZfX,μ,Ä,ç,é,©,à,μ,é,Ü,¹,ñ[]B**Lfff“fZf<**,ðfNfŠfbfN,μA¹¼,ìfAfvfŠfP[]fVf‡f“,©,ç,ì^óü,²Š®—¹,·,é,ì,ð’Ò,ç,Ü,·[]B
- ,à,μfe[]fVfjofbfNfAfbfvftfjfbfg,ì,æ,π,È¹¼,ìfffofCfX,ð“^è,ìf|[]fg,É[]Ú’±,μ,Ä,ç,é[]ê[]‡[]A,±,ìfffofCfX,²f|[]fg,ðŽg—p,μ,Ä,ç,é,©,à,μ,é,Ü,¹,ñ[]B**Lfff“fZf<**,ðfNfŠfbfN,μA¹¼,ìfffofCfX,ìf|[]fgŽg—pŠ®—¹,ð’Ò,ç,Ü,·[]B
- CE»ÝfvfŠf“f^,ð[]Ú’±,μ,Ä,ç,éf|[]fg,í[]AWindows,ìfRf“fgf[]f<fpf|f<,Å’I’ð,³,è,½,à,ì,Å, ,é,©,Ç,π,©,ðŠm”F,μ,Ä,,¾,³,ç[]B
- CE»[]ÝŠJ,ç,Ä,ç,é,·,×,Ä,ìfAfvfŠfP[]fVf‡f“,ð[]!—¹,μWindows,ðfŠfXf^[]fg,μ,Ü,·[]B
- PC,ì“dCE¹,ð,ç,Á,½,ñf|ft,É,μ,Ä[]A[]Ä,Ñf|f“,É,μ,Ü,·[]B

,à,μ,ü<L,ìŽè[]‡,ð,“ ,±,È,Á,Ä,à-â‘è,²%øðCE^,μ,È,ç[]ê[]‡,É,í[]ACEì[]á,ì%øÄ“\[]«,², ,è,Ü,·[]B[]C—[],ì•ù-@,É,Ä,ç,Ä,í[]Af[]fU[]fYfKfCfh,ð,²—,¾,³,ç[]B

# 'o•ûĈÛ'ÊMáŠQ

,o,b,íAfvfŠf“f^,Æ,ìŠŎ,Ā'o•ûĈÛ'ÊM,đŠm—  
š,Ā,«,Û,¹,ñBfvfŠf“f^,í,o,b,Æ,ìŠŎ,Ā'o•ûĈÛ'ÊM,É,æ,èŠeŽí,ìî•ñĈđŠ,đ,μ,Û,·B  
%o²<L,ìó<μ,², ,é,©,Ç,π,©,đŠm”F,μ,Ā,,¾,³,çB

- fvfŠf“f^,ì“dĈ¹,²fìft,Ā, ,éB.  
fvfŠf“f^,ì“dĈ¹,đ“ü,ê,Ā,,¾,³,çB
- fR“fgf□□[f<fp]f<,ìfvfŠf“f^,ìŸ'èf\_fCfAf□Of{fbfNfX,É, ,é□,‘¬,É^óü,²f`fFbfN,³,é,Ā,ç,È,çB  
,±,ê,đ%đĈ^, ,é,½,ß,É,íA,Ā,¬,ì,æ,π,É,μ,Û,·B
- 1. Windows,ìfRf“fgf□□[f<fp]f<fAfCfRf“,đf\_fuf<fNfŠfbfN,μ,Û,·B
- 2. fvfŠf“f^fAfCfRf“,đf\_fuf<fNfŠfbfN,μ,Û,·B
- 3. fvfŠf“f^,ìŸ'èf\_fCfAf□Of{fbfNfX,É, ,é□Ū'±f{f^f“,đfNfŠfbfN,μ,Û,·B
- 4. □,‘¬,É^óü,đf`fFbfN,μ,Û,·B

• fvfŠf“f^fP□[fuf<,ÉáŠQ,², ,é,©,à,μ,ê,Û,¹,ñB  
¾,ìfP□[fuf<,ÉĈđŠ,μ,Ā,Ÿ,Ā,,¾,³,çB

• ,à,μ•j“,ìfvfŠf“f^,đŽg—p, ,é,½,ßfXfCfbf`f{fbfNfX□i□Ø'ÖŠí□,đŽg—p,μ,Ā,ç,ê,íA,»,ìfXfCfbf`f{fbfNfX,íA'o•ûĈÛ'ÊM,đfTf□[fg,μ,Ā,ç,É,ç,©□A,Û,½,ì¾,ìfffofCfX,²fXfe□[f^fXf%ofCf“,đŽg—p,μ,Ā,ç,é,©,à,μ,ê,Û,¹,ñB  
,±,ìé□±,ìfvfŠf“f^,đ,o,b,É¾□Ú□Ū'±,μ,Ā,Ÿ,Ā,,¾,³,çB  
,à,μfXfCfbf`f{fbfNfX,đŽg—p,μ,È,¬,ê,î,ç,¬,ì,ç□é□±,É,íAC:WINDOWS\SYSTEM  
fffBfĈfNfgfŠ,É, ,é HPWJCFG.EXE fvf□fOf%of€,đŽĀ□s,μ,Ā,-  
,¾,³,çB'o•ûĈÛ'ÊMf`fFbfNf{fbfNfX,ìf`fFbfN,đ,í,,μ□AOK,đfNfŠfbfN,μ,Û,·B,±  
,ê,É,æ,è,o,b,ÆfvfŠf“f^,Æ,ì'o•ûĈÛ'ÊM,ì<@“\,μ,Û,¹,ñB,±,ìé□±fvfŠf“f^,ì^ê•”,ì<@“\  
,ì“@□ì,μ,Û,¹,ñ,²□A^óü,í,Ā,«,Û,·B

• ,Žg,ç,ì,o,b,²'o•ûĈÛ'ÊM,đfTf□[fg,μ,Ā,ç,É,ç,©,à,μ,ê,Û,¹,ñB  
**C:WINDOWS\SYSTEM** fffBfĈfNfgfŠ,É, ,é **HPWJCFG.EXE** fvf□fOf%of€,đŽĀ□s,μ,Ā,-  
,¾,³,çB'o•ûĈÛ'ÊMf`fFbfNf{fbfNfX,ìf`fFbfN,đ,í,,μ□AOK,đfNfŠfbfN,μ,Û,·B,±  
,ê,É,æ,è,o,b,ÆfvfŠf“f^,Æ,ì'o•ûĈÛ'ÊM,ì<@“\,μ,Û,¹,ñB,±,ìé□±fvfŠf“f^,ì^ê•”,ì<@“\  
,ì“@□ì,μ,Û,¹,ñ,²□A^óü,í,Ā,«,Û,·B

# fvfŠf“f^ -3%ož“š

fvfŠf“f^ , © , ç , ì % o ž “ š , à , è , Û , 1 , ñ □ B ^ È % o o , Ì Ž è □ † , ð Ž Ž , μ , Ä , , 3/4 , 3 , ç □ B

- fvfŠf“f^ , ì “ dCE<sup>1</sup> , à “ ü , Á , Ä , ç , é , ± , Æ , ð Š m “ F , μ , Ä , , 3/4 , 3 , ç □ B
- , à , μ fvfŠf“f^ , à f l f t f % o f C f “ , Á , , é , È , ç □ A f v f Š f “ f ^ , ì “ dCE<sup>1</sup> f { f ^ f “ , ð % o Ÿ , μ , Ä f l f “ f % o f C f “ , É , μ , Ä , - , 3/4 , 3 , ç □ B
- Ž † < l , Û , è , ì — L - <sup>3</sup> , ð Š m “ F , μ , Ä , , 3/4 , 3 , ç □ B , à , μ Ž † < l , Û , è , à , , è , Ì f t □ [ f U □ [ f y f K f C f h , Ì Ž è □ † , É , μ , 1/2 , à , Á , Ä □ A < l , Û , Á , 1/2 — p Ž † , ð Ž æ , è □ œ , ç , Á , , 3/4 , 3 , ç □ B
- f g f b f v f j f o □ [ , à • Ä , Û , Á , Ä , ç , é , ± , Æ , ð Š m “ F , μ , Ä , , 3/4 , 3 , ç □ B
- fvfŠf“f^ f P □ [ f u f < , à □ Ú ‘ ± , 3 , è , Ä , ç , È , ç , © □ A f P □ [ f u f < , à • s — Ç , © , à , μ , è , Û , 1 , ñ □ B f v f Š f “ f ^ f P □ [ f u f < , à , μ , Á , © , è , Æ □ Ú ‘ ± , 3 , è , Ä , ç , é , © Š m “ F , μ , Ä , , 3/4 , 3 , ç □ B , à , μ , Û , 3/4 - à ‘ è , à % o ð CE ^ , Á , « , È , ç □ è □ † , í □ A ^ á , x f P □ [ f u f < , Á Ž Ž , μ , Ä , , 3/4 , 3 , ç □ B

## • s“K∅,É“dCE<sup>1</sup>fift

‘O%ñ,lfvfšf“f^Žg—p|—<sup>1</sup>Žž,ÉA•s“K∅,É“dCE<sup>1</sup>,đflft,μ,Ü,μ,½B

•K, ,fvfšf“f^,ì“dCE<sup>1</sup>{f^f“,đ%Ÿ,μ,Äflf“f%fcf“,É,μ,Ä,,¾,¾,çB

fvfšf“f^,á^óü’t,Ü,½,Ígfbfvfjfo[ ,áš],ç,Ä,ç,éó’Ô,ÅAfvfšf“f^,ì“dCE<sup>1</sup>{f^f“,đflft,·,é,±,Æ,È,-  
fvfšf“f^,ì“dCE<sup>1</sup>,á∅,ê,Ü,μ,½B,±,ìê±fvfšf“fgj[fgfšfbfW,íA<sup>3</sup><K,ífjWfVf†“,É-ß,é,±  
,Æ,á,Ä,«,Ü,<sup>1</sup>,ñB,±,ê,É,æ,èfvfšf“fgj[fgfšfbfW,ímfYf<,áš£‘†,μAfCf“fN<|,Ü,è,ìCE^ö,É,È,è,Ü,·B

,±,ê,đ”đ,¯,é,½,ß,ÉAfvfšf“f^,á^óü,đš®—<sup>1</sup>,μ“®ì,đ’âž~,μ,Ä,©,çfvfšf“f^,ì“dCE<sup>1</sup>,đ∅,é,æ,κ  
,É,É,μ,Ü,·B

,à,μfvfšf“f^,ì^óü•ižž,á’á%º,μ,Ä,«,Ä,ç,é,æ,κ,Ä,μ,½,çAHP

**DeskJetXfe[f^fXf,fjf^“à,íf“fefif“fX,É, ,éfvfšf“fgj[fgfšfbfW,ìNfš[fjf“fo,đžÀž{,  
μ,Ü,·B**

## fCf“fNŽc—Ê

fvfŠf“fgfj[]fgfŠfbfW,lfCf“fN,².ó,©Žc—Ê,²,È,,È.Á,Ä,ç  
,Û,·B[]V,µ,çfvfŠf“fgfj[]fgfŠfbfW,ÉŒðŠ·,µ,Ä,,¾,³,ç[]B

## fvfŠf“f^ f□f,fŠ•s‘«

fvfŠf“f^,lf□f,fŠ,•s‘«,μ,Ä,“,è□ACE»□Ý,ì•□□‘,đ^ó□ü,Á,«,Ü,¹,ñ□B^È%°°,ìŽè□#,É□],Á,Ä  
%°°đCE^,μ,Ä,,¾,¾,¾,¾□B

1. •□□“à,ÁŽg—p,•,éftfHf“fg,ì□”,đCE,ç,μ,Ü,•□B□i‘½□”,lf\_fEf“f□□[fhftfHf“fg,đŽg—  
p,•,é,ÆfvfŠf“f^,lf□f,fŠ,đ□Á“i,μ,Ü,•□B□j
2. fvfŠf“f^,ì“dCE¹,đflf“flft,μ,Ü,•□B,±  
,ê,É,æ,è,•,Á,ÉfvfŠf“f^,Éf\_fEf“f□□[fh,μ,½ftfHf“fg,đ□Á<Ž,μ,Ü,•□B
3. **C:\WINDOWS\SYSTEM** fffBfCEfNfgfŠ,É, ,é **HPWJCFG.EXE** fvf□fOf%of€  
,đŽÀ□s,μ,Ü,•□BTrueTypeftfHf“fg,lf\_fEf“f□□[fhf`fFfbfNf{fbfNfX,lf`fFfbfN,đ,í,•,μOK,đ  
fNfŠfbfN,μ,Ü,•□B

## <@ŠB“lfGf%oo□□

Žt<l,Ü,è,©'¼,ìáŠQ•,²fvfŠf“fgj□[fgfŠfbfW,ì%oÂ“@“í^í,É,è,Ü,·□Bfgfbfvfjfo□[,ðŠj,¬áŠQ•,ì—  
L-³,ðŠm”F,μ,Ü,·□B□áŠQ•,²,è,íŽæ,è□œ,«,Ü,·□BfvfŠf“f^,ì“dCE¹,ðfift,É,μ□Ä“xfif“,É,μ,Ü,·□B

,à,μŽt<l,Ü,è,²,è,î□A^È%oº,ìŽè□†,É,μ,½,²,Á,ÄŽæ,è□œ,†,Ä,,¾,¾,†□B

1. fgfbfvfjfo□[,ðŠj,¬,Ü,·□B
2. fvfŠf“f^,ìfCEfWf...□[f€f{f^f“,ð%öÿ,μ,½,Ü,Ü,É,μ,Ü,·□B—pŽt,²è•ûCEü,É’—,ç,è,Ü,·□B
3. fvfŠf“f^,ìfCEfWf...□[f€f{f^f“,ð•ú,μ,Ä,©,ç□Ä,Ñ“¬f{f^f“,ð%öÿ,μ,½,Ü,Ü,É,μ,Ü,·□B—  
pŽt,²□æ,Ü,Ç,Æ,í”½’í•ûCEü,É’—,ç,è,Ü,·□B—  
pŽt,²Žæ,è□œ,¬,é,Ü,Ä^È□ä,ì’€□ì,ðCEj,è•Ö,μ,Ü,·□B
4. ^ø,Á,©,©,Á,Ä,†,é—pŽt,ðŽæ,è□œ,«□A—pŽt,ð,»,è,ì,Ä,©,ç□Ä,ÑfvfŠf“f^,ÉfZfbfg,μ,Ü,·□B
5. fgfbfvfjfo□[,ð•Á,¶,Ü,·□B
6. fvfŠf“f^,ì“dCE¹,ð^è’Ufift,É,μ,Ä□Ä,Ñfif“,É,μ,Ü,·□B



# fffBfXfNfXfy[]fX•s'«

fvfŠf“f^fhf%oofCfo,íA^óü,μ,æ,π  
,Æ,·,é•¶[]ftf@fCf<,ð^êŽž“l,Éfn[]fhfffBfXfN,É•Û'¶,μ,Û,·B^êŽž“l,È•Û'¶[]êŠ,Æ,μ,Ä,íA'Êí c:\  
**tmp**,Ü,½,l c:\temp,É•Û'¶,³,è,Û,·iNEC PC98,ìê[]#,í'Éí'Û,È,Á,½fhf%oofCfu,É,È,è,Û,·[]B,±  
,è,ç,ìfffBfCfNfgfŠ,É, ,éftf@fCf<,ðí[]œ,μ,Ä,,¾,³,ç[]B

,à,μ^óü•”[]”,Ü,½,í^óü[]#[]~flfvfVf#f“,ðŽg—p,μ,Ä,ç,é[]ê[]#,É,íA,æ,è'½,,ìfffBfXfNfXfy[]fX,ðŽg  
—p,μ,Û,·B^óü•”[]”,ð^ê•”,Æ,·,é,©A,Û,½,í^óü[]#[]~flfvfVf#f“,ìf`fFfbfN,ð,í,,μ,Ä,,¾,³,ç[]B

'¾,ì%oðCE^•û-@,Æ,μ,Ä[]fvfŠf“fgf}f[]fWff,ðflft,É,·,é,Æ,ç,π•û-@,à, ,è,Û,·[]B  
ROBOHELPROBOHELP

## fXfv [f<fGf%o [

^óü,μ,æ,π,Æ,·,é•¶'ftf@fCf<,ðfXfv [fŠf“fO,Å,«,Ü,<sup>1</sup>,ñB  
fvfŠf“fgf}f [fWff,ðfift,É,μ,ÄAÄ“x^óü,ð,μ,Ä,,<sup>3</sup>/<sub>4</sub>,<sup>3</sup>,çB

fvfŠf“fgf}f [fWff,ðfift,É,·,é,É,íA%º<L,ìžè±,É,μ,<sup>1</sup>/<sub>2</sub>,<sup>a</sup>,Á,Ä,,<sup>3</sup>/<sub>4</sub>,<sup>3</sup>,çB

1. fRf“fgf [f<fpfif<,É, ,éfvfŠf“f^fAfCfRf“,ðf\_fuf<fNfŠfbfN,μ,Ü,·B
2. fvfŠf“fgf}f [fWff,ðžg,πf`fFfbfNf{fbfNfX,lf`fFfbfN,ð,í,,·B
3. I<sup>-1</sup>,ðfNfŠfbfN,μ,Ü,·B
4. Ä“xfvfŠf“fg,μ,Ü,·B

,±,è,É,æ,èA^óü,·,é•¶'ftf@fCf<,ðfvfŠf“fgf}f [fWff,É'—,é,±,Æ,È,-  
^óü,ðŠžn,μ,Ü,·B,±,íè±^óü,<sup>a</sup>Š@<sup>-1</sup>,·,é,Ü,ÄAfvfŠfP [fVf}f“f\ftgfEfFfA,É,í-  
β,é,±,Æ,<sup>a</sup>,Ä,«,Ü,<sup>1</sup>,ñB

**HPfXfv□[f%o,É,Â,ç,Ä**

HPfXfv□[f%o,Æ,Í□H

HPfXfv□[f%o fEfCf“fhfE

fXfv□[f< fffBfCfNfgfŠ,ì•í□X

^óüftf@fCf<,l□í□œ

# HPfXfv [f%o,Æ,í H

HPfXfv [f%o,Æ,í A^óü,μ,æ,π,Æ,·,é•¶',ðŠÇ—,·,éŠÇ—fA  
ftfgfEjFfA,Å,·B^óü,·,é•¶',ð^êŽž“l,Èftf@fCf<,É•Û'¶,μA•Ê,ìi<Æ,ð,μ,Ä,ç  
,éSÖ,ÉA,»,)ftf@fCf<,ðfvfŠf“f^,Ö'—,è,Û,·B  
HPfXfv [f%o,íAWindows,lfvfŠf“fgf}f [fWff,É'u,«Š,í,è,Û,·B

# HPfXfv□[f%ofEfCf“fhfE

HPfXfv□[f%ofEfBf“fhfE,í□AfVfXfef€,É□V,μ,fCf“fXfg□[f<,³,ê,½fvfŠf“f^,lfŠfXfg,ð•\  
Ž|,μ,Û,·□BŠefvfŠf“f^-¼,ì%°º,É^ó□ü't, ,é,ç,í'Ò<@'t,ì•¶□',lfŠfXfg,ª•\Ž|,³,ê,Û,·□B•¶□'f□ffj...  
□[ 't,ì^ó□üfLfff“fZf<,ðŽg,ì,î□A•\Ž|,³,ê,½,Ç,lfvfŠf“f^,ì^ó□ü,àfLfff“fZf< , ,é,±,Æ,ª,Å,«,Û,·□B

## fEfBf“fhfE,ì•□,ð•î□X,·,é□B

HPfXfv□[f%ofEfBf“fhfE,ì•□,ð•î□X,·,é,É,í□Af}fEfX,ðŽg,Á,Äf□ffj...□[fo□[,ì%°º,ìfo□[,ìffj  
%of€f{□[f\_□[,ðfhf%ofbfO,μ,Û,·□B

# fXfv[]f< fffBfCEfNfgfŠ,ì•ï[]X

HPfXfv[]f%o,ìfXfv[]f<fffBfCEfNfgfŠ,É□A^êŽž“l,É^ó□üftf@fCf<,ð□ì□¬,μ,Û,·□B,à,μHPfXfv[]f%o,³fffBfXfN,ìfXfy[]fX,ðŽg,ç□Ø,é,æ,α,É,Æ,«,É,í□A,±,ìfìfvfVf#f“,ðŽg,Á,ÄfXfv[]f<—p,É•É,ìfhf%oofCfu,ÆfffBfCEfNfgfŠ,ð'ì'ð,μ,Û,·□B

1. HPfXfv[]f%ofEfBf“fhfE,ðŠj,,É,í□A%oæ-Ê,ì%oº,ìfXfv[]f%ofAfCfRf“,ðf\_fuf<fNfŠfbfN,μ,Û,·□B,à,μfXfv[]f%ofAfCfRf“,ªCE©,Â,©,ç,È,¬,ê,î□Afvf□Of%of€f}fì□fWff,Û,½,ìftf@fCf<f}fì□fWff,©,çWindowsfffBfCEfNfgfŠ,É, ,éHPWJSPR.EXEftf@fCf<,ðŽÁ□s,μ,Û,·□B
2. f□fjf...□f□□l,©,çfìfvfVf#f“,ð'ì'ð,μ,Û,·□B
3. f□fjf...□l,©,çfìfvfVf#f“•ï[]X,ð'ì'ð,μ,Û,·□B
4. •\Žl,³,é,½f\_CfAf□Of{fbfNfX,ÄfXfv[]f<fffBfCEfNfgfŠ,ð'ì'ð,μ,Û,·□B
5. OK,ðfNfŠfbfN,μ,Ä'ì'ð,μ,½“à—e,ð•Û'¶,μ,Û,·□B

•É,ìfXfv[]f<fffBfCEfNfgfŠ,ðŽw'è,·,é,Æ□AZŽÿ,É•¶□',ð^ó□ü,·,é,Æ,«,É□%o,ß,Ä—LCEø,É,È,è,Û,·□B

# ^óüftf@fCf<,lííœ

HPfXfv[f%ofEjBf“fhfE,É•Žl,³,ê,Ä,ç,éfvfŠf“f^,ì^óü,ðfLfff“fZf<,.é,É,Í•¶f“f“fj...  
[.,©,ç^óü,lfLfff“fZf<,ð'í'ð,μ,Ü,·B

fAfCfhf<A^óü't, ,é,ç,í^êŽž'âŽ~,l'ó'Ô,É, ,é•¶f“í,ç,Ä,Ä,àííœ,Ä,«,Ü,·B  
fvfŠf“f^,Ö'—,ç,ê,½,·,×,Ä,í•¶f“,ðííœ,·,é,É,íAHPfXfv[f%ofEjBf“fhfE,ð•Ä,¶,Ä,,¾,³,çB

