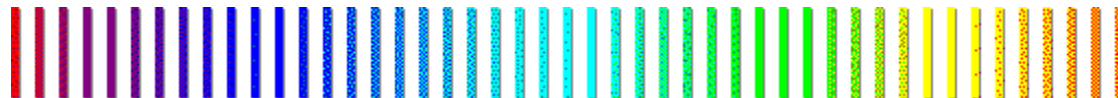


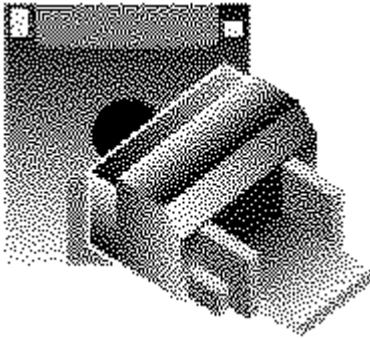
HP DeskJet 850C

f v f Š f “ f ^ , É Š Ö , . , é □ î • ñ

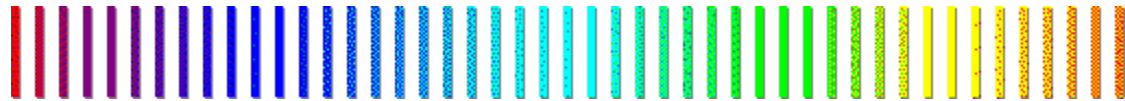
- HP f v f Š f “ f e f B f “ f O f v f X f e f €
- f E f C f “ f h f E , Æ f _ f C f A f □ f O f { f b f N f X
- Å “ K , È f v f Š f “ f ^ , ì □ Ý ’ è
- Š e Ž í — p Ž t , ì ’ I ’ ð
- p Ž t , Æ f v f Š f “ f g f J □ [f g f Š f b f W , ì Ž g — p - @
- ^ ó □ ü , É - â ’ è , ã , , é , Æ , «



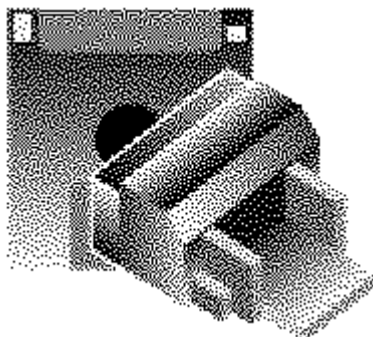
HP DeskJet f5075n



- f5075n
- f5075n
- f5075n



fEfCf“fhfEfY,Æf_fCfAf□fOf{fbfNfX



ColorSmartf_fCfAf□fOf{fbfNfX

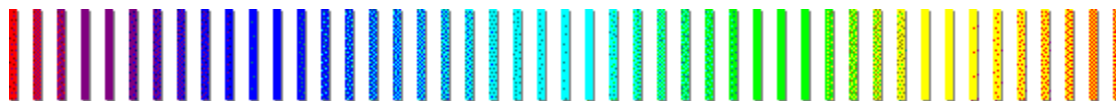


ColorSmartfIfvfVf†f“

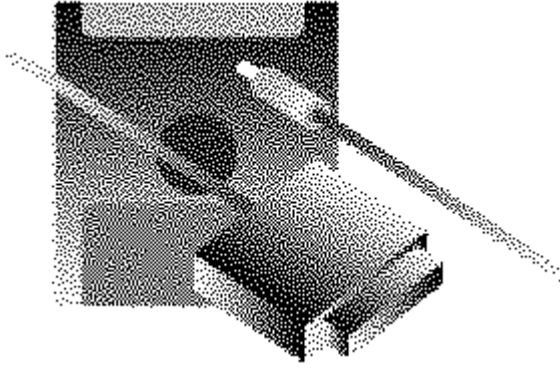
f_fCfAf□fOf{fbfNfX



HP DeskJetfXfe□[f^fX f,fjf^



Å“K,ÈfvfŠf“f^,ìŸ'è



^óü«”\,ìŸüã

fvfŠf“f^fhf
%ofCfo,lfAfbfvfffg



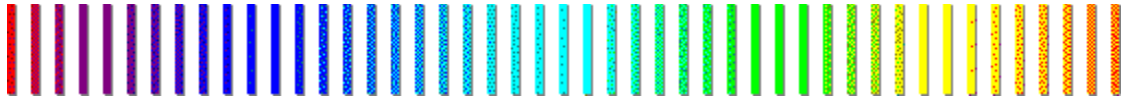
fGfRfmftf@[fXfgf,[fh,ìŽg—p

Ž©“®,Æf}fjf...fAf<,ì

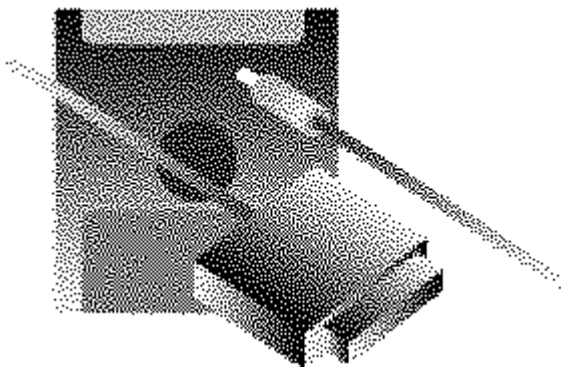
ColorSmartfIfvfVf‡f“

fjf

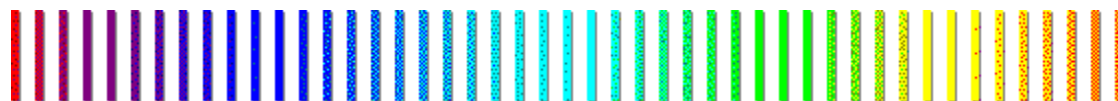
%o[^óü,Æf,fmfNf^óü



ŠeŽí—pŽt,ì'í'ď

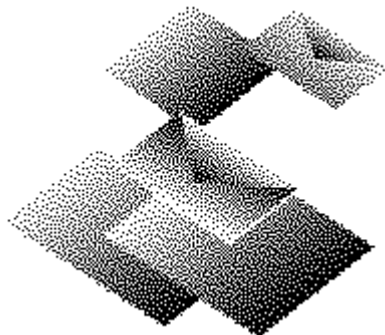


- OHPftfBf<f€,,ì^óü
- “>,ì^óü
- fjfXf^f€fTfCfY—pŽt,ì^óü
- HPfvf€f~fAf€ë—
pŽt,ì^óü
- fOf€[fXfP[f<^óü
- fjf%oo[ì^óü

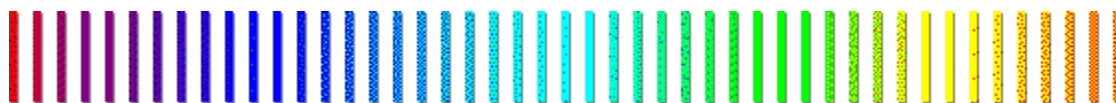


 -úžŷ

—pŽt,ÆfvfŠf“fgfJ□[fgfŠfbfW,ìŽg—p-@

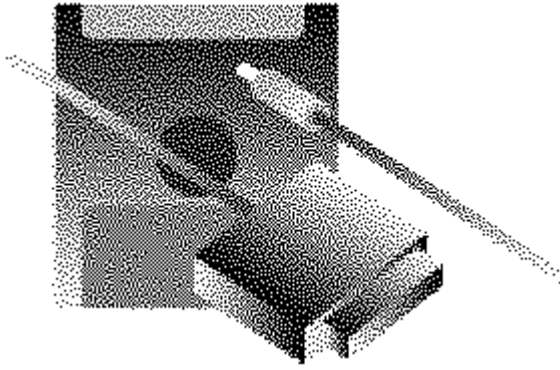


- pŽt,ìfZfbfg
- ìßØÝÄ¶°ÄØ^{-1/4}¶,ìŽæ,è•t,¯
- ìßØÝÄ¶°ÄØ^{-1/4}¶,ìŽ²¶†,í,¹
- ìßØÝÄ¶°ÄØ^{-1/4}¶,ì Ø°ÆÝ, ¶



 -ÚŽŮ

^óü,É-â'è,ª, ,é,Æ,«



- «”\,ìŠm”F
- fvšf“f^,ìf{f^f“,Æf
%of“fv,ìŠm”F
- HP,ìTf|[]fg,ð“¾,é,É,í



-ÚŽŸ



HP DeskJetfvfŠf“fefBf“fOfVfXfef€

fvfŠf“f^,É,Â,ç,Ä



HP

DeskJet850C,íAfCE[fUfvfŠf“f^,È,Ý,ì•,Æ
fjf%o[fOf

%oftfBfbfNfX,ð•’ÊŽ†,É,à,n,g,oftfBf<f€
,É,à^óü,Ä,«,éjff%o[fvfŠf“f^,Ä,·B,Û,½HP
DeskJet850C,íA,Q,Ä,ì/Oj|

[fg,ð,à,¿Windows,ÆMac'o•ù,ìŠÂ««,ÅŽg—
p,Ä,«,Û,·B



Žg—p,Ä,«,é—pŽt,ìŽí—p



fvfŠf“fgf| [fgfŠfbfW,É,Â,ç,Ä



fvfŠf“f^,ìf{f^f“,Æf
%of“fv





-ÚŽŸ



HP DeskJet fvfŠf“fefBf“fOfVfXfef€



fvfŠf“f^,É,Â,č,Ä

Žg—p,Å,«,é—pŽt,ìŽí—p



HP DeskJet850C, íA%º<L, ì—pŽt, Æ,», ì¼, ì”}ì, ðŽg—p, Å,«, Û, ·B

- f{f“fhŽt
- fRfs[]Žt
- ••“>
- HPfvf€f~fAf€fCf“fNfWfFfbfg[]ê—pŽt
- HPfvf€f~fAf€OHPftfBf<f€
- HPfvf€f~fAf€€ò’òŽt

Note: ColorSmartf_fCfAf[]fOf{fbfNfX, Å³, μ, ç—pŽt, ìŽí—p, ð’ì’ð, μ, Å,, ¾, ¾, çB



ŠeŽí—pŽt, ì’ì’ð



ColorSmartf_fCfAf[]fOf{fbfNfX





-ÚŽŸ



HP DeskJetfvfŠf“fefBf“fOfVfXfef€



fvfŠf“f^,É,Â,ç,Ä

fvfŠf“fgfJ[]lfgfŠfbfW,É,Â,ç,Ä



HP

DeskJet850CfvfŠf“f^,É,íACEđŠ·Žž^ÈŠO,íížž,Æ,è,Â,~,½,Ü,Ü,Åžg—
p,·,éf,fmfNf[],Æfj%[]l,lfvfŠf“fgfJ[]lfgfŠfbfW,ª•t’®,µ,Ä,ç,Ü,·B

Å,î^óü•iŽ;đ^ÚŽ,·,é,½,ß,É,ÍŽŸ,ì,±,Æ,É’^Ó,µ,Ä,,¾,¾,çB

■ fvfŠf“f^,ì“dCE¹,đfift,É,µA“dCE¹fR[]fh,đ”²,-
‘O,ÉfvfŠf“fgfJ[]lfgfŠfbfW,đfvfŠf“f^,ì%œE’x,É-ß,µ,Ä,,¾,¾,çB

■ fvfŠf“fgfJ[]lfgfŠfbfW,í-š•Â—eŠí,É“ü,êAŽº
%œ·16ß`26ßC,Ä•ÚŠÇ,µ,Ä,,¾,¾,çB



fvfŠf“fgfJ[]lfgfŠfbfW,ì
Zæ,è•t,~



fvfŠf“fgfJ[]lfgfŠfbfW,ì
fNfS[]lff“fO



fvfŠf“fgfJ[]lfgfŠfbfW,ì
Z²[]±,í,¹



-ÚŽŸ



HP DeskJetfvfŠf“f^fBf“fOfvXfef€



fvfŠf“f^,É,Â,č,Ä

fvfŠf“f^,İf{f^f“ ,Æf%of“fv



HP

DeskJet850CfvfŠf“f^,É,İA“dCE¹,â^óü,ðRf“fgf[f<,;éfXfCfbf` ,Æfvf Šf“f^,İó‘Ö,ð•Ž!,;éf%of“fv,ª, ,è,Ü,·B



fvfŠf“f^,İf{f^f“ ,Æf %of“fv,İŠm”F



fCEfWf...[f€ f%of“fv

fvfŠf“f^,É%½,ç,©,İ^‘u,ª•K—v,È,Æ,«”_—Å,µ,Ü,·B

fCEfWf...[f€ f{f^f“

İ^‘u,ª[İ,İ,Å,½,çA,±,İf{f^f“ ,ð%Ÿ,µ,ÄfvfŠf“f^,ð^óü %Å“\İó‘Ö,É,µ,Ü,·B



“dCE¹f%of“fv

“dCE¹,ªfİf“,İ,Æ,«” “”,µ,Ü,·B,o,b,©,çİ•ñ,ðŽóM’t, ,é,ç ,İ^óü’t,É”_—Å,µ,Ü,·B

“dCE¹f{f^f“

,±,İf{f^f“ ,ð%Ÿ,; ,Æ“dCE¹,ªfİf“ ,Ü,½,İfİft,É,È,è,Ü,·B





[-ÚŽŸ](#)



[HP DeskJetfvfŠf“f^fhf%oofCfo,É,Â,ç,Ä](#)

f^fhf%oofCfo,É,Â,ç,Ä



HP DeskJet850CfvfŠf“f^•t’® ,j\
ftfgfEjFfA,í AfvfŠf“f^fhf%oofCfo AHP
DeskJetXfe [f^fXf,fjf^ AfŠfŠ [fXfm [fg
A, ”,æ,Ńjf“f%ofCf“fwfçfv,Å, B



[HP](#)

[DeskJetfXfe \[f^fXf,fjf^,É,Â,ç,Ä](#)



[HP ColorSmartfvfŠf“f^fhf](#)

[%oofCfo](#)



[fŠfŠ \[fX fm \[fg](#)





-ÚŽŸ



HP DeskJetfvfŠf“fefBf“fOfvXfef€



fvfŠf“f^fhf%oCfo,É,Â,ç,Ä

HP DeskJetXfe□[f^fXf,fjf^,É,Â,ç,Ä



HP

DeskJetXfe□[f^fXf,fjf^,í«»□Ÿ,ì^ó□üff□[f^,ÆfvfŠf“f^,ì□ó'Ô,É,Â,ç,Ä,ì□í•ñ,ð'ñ<Ÿ,μ,Ü,·□B,Ü,½fvfŠf“fgf]□[fgfŠfbfW,ìfNfŠ□[fjf“fO,âŽ²□±,í,¹□AfZf<ftfefXfg,È,Ç,à,¨,±,É,ì,Ü,·□B

HP DeskJetXfe□[f^fXf,fjf^,ì^ó□ü,·,é•¶□',ð'—,Á,½,Æ,«□A, ,é,ç,ì^ó□ü,ìfGf%o□[,ª”□¶,μ^ó□ü,ð□ÄŠJ,·,é'O,É%o½,ç,©,ì□^'u,ª•K—v,È,Æ,«□AZ©“@“ì,ÉSj,©,è,Ü,·□B,Ü,½□AfXfe□[f^fXf,fjf^,ìfvf□Of%of€f}f□[fWff,ìHP DeskJetf□[fefBfŠfefBfOf<□[fv,É, ,éHP DeskJetXfe□[f^fXf,fjf^fAfCfRf“,ðf_fuf<fNfŠfbfN,·,é,±,Æ,É,æ,Á,Ä,àfAfNfZfX,Ä,«,Ü,·□B

HP DeskJetXfe□[f^fXf,fjf^,É,æ,Á,Ä,Â,À,¬,ì,±,Æ,ª,Ä,«,Ü,·□B

- «»□Ÿ,ì^ó□üfWf±fu,ìf,fjf^
- fvfŠf“f^,ì□ó'Ô,ìf,fjf^
- fvfŠf“fgf]□[fgfŠfbfW,ìfNfŠ□[fjf“fO
- fvfŠf“fgf]□[fgfŠfbfW,ìŽ²□±,í,¹
- «»□Ÿ,ì^ó□üfWf±fu,ìfLfff“fZf<

Note: HP

DeskJetXfe□[f^fXf,fjf^,ì□Aftf<fTfCfY,ìfEfCf“fhfE,Æ,μ,Ä, ,é,ç,ìfAfCfRf“,©,ç,ç,Ä,Ä,à•\Žì,³,è,Ü,·□BfAfCfRf“,ðftf<fTfCfY,ìfEfCf“fhfE,Ö□A, ,é,ç,ìfEfCf“fhfE,ðfAfCfRf“,É,·,é,±,Æ,ª,Ä,«,Ü,·□B



HP

DeskJetXfe□[f^fXf,fjf^fEfCf“fhfE



fvfŠf“fgf]□[fgfŠfbfW,ìfNfŠ□[fjf“fO



fvfŠf“fgf]□[fgfŠfbfW,ìŽ²□±,í,¹



-ÚŽŸ



HP DeskJet fvfŠf“fefBf“fOfVfXfef€



fvfŠf“f^fhf%ofCfo,É,Â,ç,Ä

HP ColorSmart fvfŠf“f^fhf%ofCfo



fvfŠf“f^fhf%ofCfo,Æ,ÍAf□□[fvf□□^•\ŒvŽZf\
 ftfg,É,Ç,lfAvfŠfP□[fvf#f“fvf□Of%of€
 ,©,ç□AvfŠf“f^,ÉfAfNfZfX,·,é,½,ß,lf\ftfgfEfFfA,ì,±
 ,Æ,Â,·□BfvfŠf“f^fhf
 %ofCfo,đŽg,Á,ÁColorSmart,lfIfvfVf#f“□iŽ©“®□^f}fjf...
 fAf<□j□A^ó□ü•iŽ;□A^ó□ü,ìŒü,«□A—pŽ†,ìŽí—p□A,“,æ,Ñ—
 pŽ†fTfCfY,đ'I,Ó,±,Æ,ª,Ä,«,Ü,·□B

fvfŠf“f^fhf%ofCfo,ìColorSmart<Z□p,í□A•¶□',đ•ª□í,μŽ©“®“l,Éjfj
 %□□[□Y'è,đ'²□ß,·,é,±,Æ,É,æ,è□Á□,,lfjf
 %□□[•iŽ;đ'ñ<Ÿ,μ,Ü,·□BColorSmart,ìŽ©“®,Á□Á□,,ì^ó□ü•iŽ;đ'ñ<Ÿ,μ,
 Ü,·,ª□AColorSmatf_fCfAf□fOf{fbfNfX,Áf}fjf...fAf<đ'I'đ,·,é,±
 ,Æ,É,æ,è□A,ç,Á,Á,à,»,,ì□Y'è,đf}fjf...fAf<Á•ï□X,·,é,±,Æ,ª,Ä,«,Ü,·□B

► ColorSmart,ìŽg—p



ColorSmartf_fCfAf□fOf{fbfNfX,Á□AŽ©“®,đ'I'đ,μ,Ü,·□B
 ColorSmart,í•¶□',É□±,í,¹,Ä“K□³,È□FŽw'è,đŽ©“®“l,É□s,ç,Ü,·□B

► ColorSmart,lf}fjf...fAf<•ï□X

- 1 ColorSmartf_fCfAf□fOf{fbfNfX,Á□Af}fjf...fAf<đ'I'đ,μ,Ü,·□B
- 2 lfIfvfVf#f“f{f^f“,đ'I'đ,μ,Ü,·□B
- 3 ColorSmartlfIfvfVf#f“f_fCfAf□fOf{fbfNfX,Á□AŠó-]
 ,lf□□[ftfg□□[f“□A-¾,é,³□Afjf%□□[□Œä,É□Y'è,μ,Ü,·□B



Ž©“®,Æf}fjf...
 fAf<,ìColorSmartlfIfvfVf
 #f“



ColorSmartf_fCfAf□fOf
 {fbfNfX



ColorSmartlfIfvfVf#f“
 f_fCfAf□fOf{fbfNfX



-ÚŽŸ



HP DeskJetfvfŠf“fefBf“fOfVfXfef€



fvfŠf“f^fhf%ofCfo,É,Â,ç,Ä

fŠfŠ[]fXfm[]fg



fŠfŠ[]fXfm[]fg,í[]AfvfŠf“f^fhf
%ofCfo,ÉŠÖ,; ,é[]î•ñ,¨,æ,ÑŽü'm,ìfn[]fhfEfFfA,Æf\
ftfgfEfFfA,ì[]Ú'±[]«,ÉŠÖ,; ,é[]î•ñ,ðŠÜ,ñ,Å,ç,Û,·[]B[]Ú,μ,ç[]î•ñ,É,Â,ç
,Ä,í[]AHPWJREAD.TXT,ð,²—, ,³/₄,³,ç[]B



fŠfŠ[]fXfm[]fg,Ö[]s.



 -ÜŽ

 fEfCf“fhfEfY,Æf_fCfAf□fOf{fbfNfX

ColorSmartf_fCfAf□fOf{fbfNfX



^óüŸ'è,ì'đ

,C,ì,æ,π

,É^óü,.,é,©,đĈ^'è,.,é,½,ß,É□A,±

,lf_fCfAf□fOf{fbfNfX,đŽg—p,μ,Ü,·□B

Ž©“®

f}fif...fAf<

fOfĈ□[fXfP□[f<,Ā^óü

flfvfVf‡f“

fxfXfg

fm□[f}f<

fGfRfmftf@□[fXfg

—pŽt,ìŽí—p

—pŽtftfCfY

flfXf^f€

fXfe□[f^fXfo□[

□c

%œi

^óü•“□”

^óü□‡□~

OKf{f^f“

flfff“fZf<f{f^f“

ffftfHf<fgf{f^f“

fwf<fvf{f^f“



ColorSmartflfvfVf‡f“f_fCfAf□fOf{fbfNfX



Ž©“®,Æf}fif...

fAf<,ìColorSmartflfvfVf‡f“



Ž © “ ®
, , ç, ä, é • ¶ □ ‘, É, “, ç, Ä □ A, “, ·, ·, B, ì □ Ý ‘ è, Å, · □ B
, ±, ì f l f v f j f j “, í ColorSmart < Z □ p, É, æ, è □ A f O j % o f t f B j b f N f X □ A f e f L f X f g, Æ, à, É □ Å —
Ç, ì f n □ [f t f g □ [f “ □ A - ¾, é, ³ □ A f l f % o o □ [□ § C E ä, ð Ž © “ ®, Å ‘ ð, µ, Û, · □ B



f}fjf...fAf<

,±,lfjfvfVfjf“,íAfof%oftfBfbfNfX AfefLfxfg,Æ,à,ÉA Å—Ç,ìfn[ftfg[f“A-¾,é.³Afjf
%o[[]\$Eä,ðf}fjf...fAf<,Å'í'ð,Å,«,Ü,·B,±
,ê,ð'í'ð,·,é,ÆAfjfvfVfjf“f{f^f“,©,çfjfvfVfjf“f_cfAf[]fOf{fbfNfX,ðŠ},«Ý'è,ð•íX,Å,«,Ü,·B



fOfCE[fXfP[f<,Å^óü

ffj%o[fCf[fW,ðfOfCE[fXfP[f<,Å^óü,·,é,É,í,±,ê,ð`fFbfN,μ,Ü,·BfOfCE[fXfP[f<,Å,ÍAfjf
%o[f,ðfOfCE[f,ì"Z'W,Å·\CE»,μ,Ü,·B



fxfXfg

fxfXfgf,[]fh,Å,Í[]A“h,è,Â,Ô,μ,ì[]Ùfof“fffBf“fO,à,È,[]Å[],,ì^ó[]ü•iŽ¿,ð“¾,é,±
,Æ,ª,Å,«,·[]B,μ,©,μ,È,ª,ç[]Afm[]f}f·f,[]fh,æ,è,à^ó[]üŽžŠÔ,ª,©,©,è,Ü,·[]B



fm[f]f<

'Êí•¶',É"K,μ,½^óü•iŽ¿,Å,·B,Ù,Æ,ñ,Ç,ìŽí—p,ì—pŽ†,Å•W€,ì^óü•iŽ¿,đ"¾,é,±
,Æ,ª,Å,«,Ü,·B



fGfRfmftf@[]fXfg

fhf%oofthg^óüüi%oo¼^óüüj,ì•ižì,Å,·□B,±,ìf,□[fh,Å,ífm□[f}f<f,□[fh,æ,è,í'¬,,©,Â,»,±,»,±
,ì^óüü•ižì,ð"¾,ç,ê,Ü,·□B,Ü,½,±,ìf,□[fh,Å,í□AfCf"fN,ì□A"i—É,ðíCE,Å,«,Ü,·□B
,±,ìf,□[fh,í□A•□'ÉŽ†,ð'l'ð,μ,½,Æ,«,ÉŽg—p,Å,«,Ü,·□B

Note: flf

%□[,ì•¶□',ð□Z□³,ì,½,β,É^óüü,·,é,É,í□AfGfRfmftf@[]fXfgf,□[fh,ÆfOfCE[]fXfP[]f<^óüü,
ð'l'ð,μ,Å,,¾,¾,ç□B,±,ê,É,æ,è"ñí,É□,í'¬,É^óüü,·,é,±,Æ,ª,Å,«,Ü,·□B



c

• ¶', δ'c', É, μ, ½'ó'Ô, Å^óü, μ, Ü, ·B



%oij

•¶□',ð%oij',É,μ,½□ó'Ô,Å^ó□ü,μ,Û,·□B

—pžt,iží—p

fvfšf“f^,ÉfZfbfg,³é,Ä,ç,é—pžt,iží—p,đ‘l’đ,μ,Ü,·□B

Note: , ,éží—p,i—pžt(Ü,½,i,»,i’¼,i”}’i),í□A,±,ifvfšf“f^,É“K,³È,ç,±,Æ,^a,è,Ü,·□

BColorSmartf_fCfAf□fOf{fbfNfX,Ä‘l’đ,Ä,«,é—pžt,iží—p,i,Y,²žg—p,,³/₄,³,ç□B—pžt,iží—p,i□Ú□×,É,Ä,ç,Ä,í□Aft□[fU□[fYfKfCfh,đ,²—,,³/₄,³,ç□B

—pŽtTfCfY

fvfŠf“f^,ÉfZfbfg,³,ê,Ä,ç,é—

pŽt,Ü,^{1/2},í^{3/4},l“}í,lfTfCfY,ð‘l‘ð,μ,Ü,·□BColorSmartf_fCfAf□fOf{fbfNfX,Å‘l‘ð,Å,«,é—

pŽtTfCfY,ì,Ý,²Žg—p,,^{3/4},³,ç□B

ColorSmartf_fCfAf□fOf{fbfNfX,ÅfŠfXfg,³,ê,È,çfTfCfY,ì—pŽt,ðŽg,⊗□ê□‡,É,í□AŽ©—R,È—

pŽtTfCfY,ð‘è<^,Å,«,éjJfXf^f€f{f^f“,ð‘l‘ð,μ,Ä,,^{3/4},³,ç□B



^óü•"□"

^óü,μ,½,ϕ•"□",đ'¼□Ú"ü—Í,·,é,©,Ü,½,Í□A□ã%º,ì-î^ó,đ'l,ñ,Å^óü•"□",đ'l,ñ,Å,,¾,³,ϕ□B



^óü#~

,±,lf{fbfNfX,df`fFfbfN,·,é,±,Æ,É,æ,è^óü#~ ,ð"½'î,É,Å,«,Ü,·iÅlfy[fW,ðÅ%

,É^óüjB,±

,ê,É,æ,èA^óüEä,lfy[fW,ìŽá,ç#É•À,Ñ,Ü,·B^óü#~ ,ð"½'î,É,·,é,Æ^óü'¬“x,í'½'x,-
,É,è,Ü,·B

ffftfHf<fgf{f^f“

ffftfHf<fgf{f^f“,đfNfŠfbfN,·,é,Æ□Af_fCfAf□Of{fbfNfX,ì,·,×,Ä,ì□Ý'è,đffftfHf<fg,ì□Ý'è,É-β,·,·,±,Æ,ª,Ä,«,Ü,·□B

fifvfVf#“f{f^f”

ColorSmartf_fCfAf_fOf{fbfNfX,ÅfifvfVf#“f{f^f” ,ð‘l’ð, .,é,Æ□A-¾,é,³,ì□Ý’è□Afn□[ftfg□[f“,ì•ù-
@□Afff%□[□\$EäfifvfVf#“ ,ð‘l’ð,Å,«,Ü, .□B

Note: ColorSmartf_fCfAf_fOf{fbfNfX,ÅŽ©“® ,ð‘l’ð, .,é,Æ□AfifvfVf#“f{f^f” ,í-
³Eø,É,È,è□ifOfE□[,É,È,é□j□AfvfŠf“f^fhf%□fCfo,ª□A-¾,é,³□Afn□[ftfg□[f“□Afff
%□[□\$Eä,ðŽ©“® ,Å□Ý’è,μ,Ü, .□B

fjfx^f€f{f^f“

fjfx^f€f{f^f“,đfNfŠfbfN,·,é,Æ□Ajjfx^f€—pŽ+ftfCfyf_fCfAf□fOf{fbfNfx,Å”C^Ó,ì—
pŽ+ftfCfy,đ□Y’è,Å,«,Û,·□B

OKf{f^f“

OKf{f^f“,đfNfŠfbfN,·,é,Æ□A,±,±,Å•ĩ□X,μ,½ŠeŽí,ì□Ý'è,đ•Ů'¶,μ□A,±,ìf_fCfAf□fOf{fbfNfX,đ□I—
¹,μ,Ů,·□B

fLfff“fZf·f{f^f“

fLfff“fZf·f{f^f“,đNfŠfbfN,·,é,Æ□A,±,±,Å•İ□X,μ,½ŠeŽí,ì□Ý'è,đ"jŠü,μ□A,±
,İf_fCfAf□fOf{fbfNfX,đ□I—¹,μ,Ü,·□B

fwf{fvf{f^f“

fwf{fvf{f^f“,đNfŠfbfN,·,é,Æfwf{fvftf@fCf<,a—š,ž□ă,a,è,Ü,·□B

Color Kit

The optional color kit lets you print color with the HP DeskJet 600K printer. The color kit contains a color print cartridge and a print cartridge storage container.

fXfe[]f^fXfo[]

fXfe[]f^fXfo[][,Å,í[]Af_fCfAf[]Of{fbfNfX"à,ÅE»[]ÝfnfCf%ofCfg,³,ê,Ä,ç,élfvfVf#f",ìŠÈ'P,È[]à-
¾,ð'ñ<Ÿ,μ,Û,·[]B

-ÜŽŸ

fEfCf“fhfEfY,Æf_fCfAf□fOf{fbfNfX

ColorSmartfIfvfVf†f“f_fCfAf□fOf{fbfNfX



ColorSmartfIfvfVf†f“,ì‘l’ð

ColorSmartfIfvfVf†f“f_fCfAf□fOf{fbfNfX,
ð•\

Ž!,³,¹,é,É,í□AColorSmartf_fCfAf□fOf{fbfNfX,Áf}fjf...

fAf<,ð‘l,Ñ□AŽŸ,ÉfIfvfVf†f“f{f^f“,ðfNfŠfb

fN,μ,Ü,·□BColorSmartfIfvfVf†f“f_fCfAf□fOf{fbfNfX,ðŽg,Á,ĂŠó-],·,éŠeŽí,ljf

%□[□Ý’è,ð□s,ç,Ü,·□B

-³/₄,é,³

fpf^□[f“
ŠgŽU

f{f}fbf{f}f%□[
f}fbf`fXfNfŠ□[f“

OKf{f^f“
fLfff“fZf<f{f^f“
ffftfHf<fqf{f^f“
fwf<fvf{f^f“

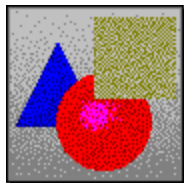
ColorSmartf_fCfAf□fOf{fbfNfX

Ž©“®,Æf}fjf...fAf<,ìColorSmartfIfvfVf†f“



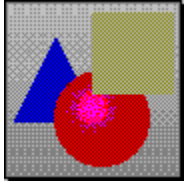
ŠgŽU

, Û, Æ, ñ, Ç, ì • ¶ □', É □ Å " K, ì □ Ý ' è, Å, · □ B, ±, ì □ Ý ' è, Å, Í □ A f C f " f N, ð f y □ [f W □ ã, É f % o f " f _ f € , É " z ' u, µ, Ü, · □ B



fpf^[]f"

,±,ìY'è,Å,í[]AfCf"fN,ðfy[]fW[]ã,Éšô%½Šw"l,É"z'u,μ,Û,·[]BŠÈ'P,ÈfOf
%oftfBfbfNfX,ðŠÛ,ñ,¾•¶[]',Å,í^óü'¬"x,ª'¬,,È,è,Û,·[]B





f}fbf`fXfNfŠ[f“

,±,lfjf

%o[[]\$CEä,Å,ÍA^óüCE<%oÊ,ðfffBfXfvfCEfC,ìF,Æ±,í,¹,Ü,·BfXfLffffifCf[]fW[]AŽÊ^[]A•;ŽG,Èf
Rf“fsf...[f^fOf%oftfBfbfNfX,È,Ç,ì,æ,ɹ,È•;ŽG,Èffj%o[fOf%oftfBfbfNfX^óü,Å,ÍA,±
,lfvfVf†f“,ð'ì'ð,μ,Ü,·B

Note: fOfCE[]fXfP[]f<^óü,Å,ÍA,±,ê,ç,lfjf%o[[]\$CEä,í-³CEø,Æ,È,è,Ü,·B

-¾,é,³

fCf“fN,ì•-□o—Ê,ð□\$CEä,·,é,±,Æ,É,æ,è□A-¾,é,³,ð□Ý’è,μ,Ü,·□Bf}}fEfX,ðŽg,Á,ÄfXf
%ofCf_□[□¶,É“®,©,·,Æ-¾,é,³,ifCf“fN—Ê□□j□AfXf%ofCf_□[,ð%oE,É“®,©,·,Æ”Z,-
^óü,Ä,«,Ü,·□ifCf“fN—Ê’â□j□B



fn [ftfg [f“

, ±, ì ÿ è, í □ Afvf Šf“ fgj □ [fgf ŠfbfW, ©, ç, ì jff % □ [fCf“ fN, ð, ç, ì, æ, x, È • ù -
@, Å'g, Ý □ ‡, í, Ì, Å"z'u, ·, é, ©, ð 'l' ð, μ, Ü, · □ B

Šg ŽU, í □ AfCf“ fN, ðfy □ [fW □ ä, Éf % of“ f_f € , É"z'u, μ, Ü, · □ B • ; ŽG, ÈfOf
% oftfBfbfNfX □ AŽ É □ ^ fCf □ □ [fW □ A, ", æ, ŃfXfLfff“ , μ, ½ fCf □ □ [fW, É“K, μ, Ü, · □ B
fpf ^ □ [f“ , í □ AfCf“ fN, ðfy □ [fW □ ä, ÉŠ ð % ½ Sw“ l, É"z'u, μ, Ü, · □ B jff % □ [fefLfXfg □ AfrfWfLfXfOf
% oftfBfbfNfX, È, Ç Š È 'P, ÈfOf % oftfBfbfNfX, ð Š Ü, ñ, ¾ • ¶ □ ' , É“K, μ, Ü, · □ B

-¾,é,³

fCf“fN,ì•-□o—Ê,ð'²□®,μ,Û,·□B,æ,è-¾,é,□A,æ,è"Z,□A,æ,è'N,â,©,É,È,Ç,ì'²□®,ðfXf
%ofCf_ðŽg,Á,Ä,¨,±,È,κ,±,Æ,ª,Å,«,Û,·□B

fjf%o[[]\$CEä

,±,±,Å,íAfrfrfbfhjf%o[.,Æf}fbf`fXfNfŠ[]f“,ì“ñ,Â,ìjf%o[[]\$CEä,ì•û-@,ª, ,è,Û,·B

frfrfbfhjf%o[.,Å,íA'N-¾,Å'N,â,©,È^óü,ðŽÀCE»,μ,Û,·Bfrfrfbfhjf%o[.,íA,W,Â,ìŠî-{fjf
%o[[]i[]•A''AÔA—íAÅAfvfAf''A%©Af}f[f"f_j,ðfTf[]fg,·.é'P[]f,È“h,è,Â,Ô,μ,ìfOf
%oftfBfbfNfX,É“K,μ,Å,ç,Û,·B

f}fbf`fXfNfŠ[]f“,íA^óüCE<%oÈ,ðffBfXfvfCEfC,ì[]F[]#,ç,Æ^ê'v,³,¹,é,æ,κ
,É'²[]®,μ,Û,·Bf}fbf`fXfNfŠ[]f“,Å,íAfxflfff“fCf[][]fW[]AZÉ[]^[]Afrf“fsf...[]f^fOf
%oftfBfbfNfX,ì,æ,κ,É•;ŽG,ªfOf%oftfBfbfNfX,É“K,μ,Å,ç,Û,·B

Note: fOfCE[]fXfP[]f<,Å^óü,ð'ì'ð,·.é,Æ[]Afff%o[[]\$CEä,ìÝ'è,í-³CEø,Æ,È,è,Û,·B

"}i

,±,lfvfšf“f^,Å,íAŠeŽí,i—pŽt,^aŽg—p,Å,«,Ü,·BŽg—p,Å,«,é—
pŽt,“,æ,Ň"}i,iúx,íAft[fU[fYfKfCfh,đ,²—,,^{3/4},³,čB

 -ÜŽŸ

 [fEfCf“fhfEfY,Æf_fCfAf□fOf{fbfNfX](#)

HP DeskJetfXfe□[f^fXf,fjf^fEfCf“fhfE



HP

DeskJetfXfe□[f^fXf,fjf^fEfBf“fhfE,íŒ»□Ÿ,ì^
ó□üfWf‡fu,ÆfvfŠf“f^,□ó’Ò,ÉSÖ,·,é□î•ň,ð•\
Ž!,μ,Û,·□B,±
,lfXfe□[f^fXf,fjf^,í□AfvfŠf“fgf□[fgfŠfbfW,lf
NfS□[fjf“fo,âZ?□‡,í,¹,È,Ç,lfvfŠf“f^,ÉSÖ,·,é□
<Æ,ð□s,x,Æ,«,É,àŽg,ç,Û,·□B

HP

DeskJetfXfe□[f^fXf,fjf^,ð<N“®,.·,é,É,í□AHP
DeskJetft□[fefBfŠfefBfvf□fOf
%of€fOf<□[fv,ìHP
DeskJetfXfe□[f^fXf,fjf^fAfCfRf“,ðf_fuf<fNfŠf
bfN,μ,Û,·□B

[fvfŠf“f^f□fjf...□\[](#)
[flfvfvf‡f“f□fjf...□\[](#)
[f□f“fefif“fXf□fjf...□\[](#)
[fefXfgf□fjf...□\[](#)
[fwf<fvf□fjf...□\[](#)

[fvfŠf“f^fXfe□\[f^fXf{fbfNfX](#)

[fLfff“fZf<f{f^f“](#)



[HP DeskJetfXfe□\[f^fXf,fjf^,É,Â,ç,Ä](#)

fvfŠf“f^f□fjf...□[

fvfŠf“f^f□fjf...□[,í□APC,É□Ú'±,³,ê,Ä,ç,é,·,×,Ä,ìDeskJetfvfŠf“f^,ðfŠfXfg,μ,Û,·□B

flfvfVf#f“f[]fj...[]

,±,lf|fvfVf#f“f[]fj...[][,Í[]AHP DeskJetfXfe[]f^fXf,fjf^,ì•\Ž![]ðCE[],ð[]Ý'è,μ,½,è[]ACEx[]
%°¹,lf|f“f|ft,ð[]Ý'è,μ,½,è,Å,«,Ü,·[]B

í,É•\Ž! ,±,è,ðf`fffbfN,·,é,Æ[]AHP
DeskJetfXfe[]f^fXf,fjf^,ð[]í,É•\Ž!,μ,Ü,·[]B

^ó[]üŽž,ì,Ý•\Ž! ,±,è,ðf`fffbfN,·,é,Æ[]A^ó[]üŽž,ì,ÝHP
DeskJetfXfe[]f^fXf,fjf^,ð•\Ž!,μ,Ü,·[]B

%°¹[]°,É,æ,éCEx[] ,±,è,ðf`fffbfN,·,é,Æ[]A^ó[]üŽž,ÉfGf%°[][,“-
[]¶,μ,½,Æ,«[]ACEx[]%°¹,ð”[]¶,μ,Ü,·[]B

f[]f“f[]fj“fXf[]fj...[]

f[]f“f[]fj“fXf[]fj...[][,É,Í^è%°°,ì<@“\,ª, ,è,Ü,·[]B

İBØYÄ¶°ÄØ~¼¶,ì,Ø°ÆY,¶ fvfŠf“fgfj[]f[]fgfŠfbfW,lfNfŠ[]fj“fO,ð,μ,Ü,·[]B^ó[]
ü•iŽ,ª°á
%°°,μ,½,è[]Afwf<fvf[]fbfZ[]fW,ÅfNfŠ[]fj“fO,ð,
·,·,ß,ç,è,½[]ê[]¶,ÉŽÄŽ{,μ,Å,,¾,¾,¾,ç[]B

İBØYÄ¶°ÄØ~¼¶,ìŽ²[]¶,í,¹ fjf
%°°[][,Æ[]•,lfvfŠf“fgfj[]f[]fgfŠfbfW,ìŽ²[]¶,í,¹,ð,μ,Ü,
·[]BfvfŠf“fgfj[]f[]fgfŠfbfW,ðCEðŠ·,Ü,½,ÍŽæ,è•t,¯,
μ'¼,μ,½[]ê[]¶A,Ü,½,lfwf<fvf[]fbfZ[]fW,ÅŽ²[]¶,í,
¹,ð,·,·,ß,ç,è,½[]ê[]¶,ÉŽÄŽ{,μ,Å,,¾,¾,¾,ç[]B

f[]fXfgf[]fj...[]

f[]fXfgf[]fj...[][,É,Í^è%°°,ì<@“\,ª, ,è,Ü,·[]B

fZf<ftf[]fXfg,ì^ó[]ü fZf<ftf[]fXfg,ð^ó[]ü,μ,Ü,·[]BfvfŠf“f^,ì”@[],ÆfP[]
[fuf<,ì[]Ü'±,ªSm”F,Å,«,Ü,·[]B

°Yì”_¶Ü°¼@Y,ì•\Ž! fvfŠf“f^,lfRf“ftfBfOfCE[]fVf#f“[]î•ñ[]i[]Ý'è[]î•ñ[]
j,ð•\Ž!,μ,Ü,·[]B

fwf<fvf[]fj...[]

fwf<fvf[]fj...[][,É,Í^è%°°,ì[]€-Ü,ª, ,è,Ü,·[]B

-ÜŽY HP DeskJetfXfe[]f^fXf,fjf^,ìŽg,ç•ù,ð•\
Ž!,μ,Ü,·[]B

HP DeskJetfXfe[]f^fXf,fjf^,ìŽg,ç•ù HP
DeskJetfXfe[]f^fXf,fjf^,ì^è”È”ì,È[]î•ñ,É,Å,ç
,Å•\Ž!,μ,Ü,·[]B

HP DeskJet,É,Å,ç,Ä HP
DeskJetfXfe[]f^fXf,fjf^,lf[]o[]fWf#f“,”,æ,Ñ”~
[]ìCE ,É,Å,ç,Ä•\Ž!,μ,Ü,·[]B

fvfŠf“f^ fXfe[]f^fXf{fbfNfX

,±,lf|f{fbfNfX,Å,Í[]ACE»[]Ý,lfvfŠf“f^,lfXfe[]f^fX,É,Å,ç,Ä•\Ž!,μ,Ü,·[]B

fLfff“fzf·f{f^f”

CE»Ÿ,í^óüfWfufu,đ'†Ž~,·,é,Æ,«,ÉŽg—p,μ,Û,·B



-ÚŽŸ



□Á“K,ÉfvfŠf“f^,ì□Ý'è

^ó□ü□«”\,ìÆü□ã



fvfŠf“f^,ì^ó□ü'—“x,“,æ,Ñ'S'ì,ì^ó□ü□«”\,í^È%º,ì—v'f,É,æ,è
%ºe<¿,ðŽÓ,_,Ü,·□B



PC,ìRAM,ì—e—É,É,æ,è•□' ,afvfŠf“f^,Ö'—
,ç,è,é'—“x,ðÆ^'è,μ,Ü,·□BPC,ìRAM,ì—e—É,ð'□,â,·,Æ,±
,ì'—“x,â'□,·,Æ,Æ,à,É^ó□ü't,É'¼,ìŽdŽ-,ð,·,é,Æ,«,ÉPC,â,æ,èÆø—
'ì,É“@□ì,·,é,æ,α,É,É,è,Ü,·□B



fvfŠf“f^fhf%ofCfo,É,æ,è^ó□ü•iŽ¿,â'â,«,□□%ºE,³,è,Ü,·□BŽg—
p,μ,Ä,ç,éfvfŠf“f^,É'í%ºž,μ,½fvfŠf“f^fhf%ofCfo,ì□Á□V”Ä,ðŽg—
p,μ,Ä,ç,é,±,Æ,ðŠm”F,μ,Ä,-
,¾,³,ç□BWindows,ìfRf“fgf□□[f<fpfìf<,ìfvfŠf“f^fAfCfRf“,ðf_fuf<fNfŠfbfN,
μ□A'g,Ý□ž,Ü,è,½fvfŠf“f^,ìfŠfXfg,©,çSY“-,·,éfvfŠf“f^,ð'ì'ð,μ,Ü,·□BŽg—
p,μ,Ä,ç,éfhf
%ofCfo,ìfo□[fWf#“,ðŠm”F,·,é,É,í□A□Ý'è,ðfNfŠfbfN,μ,Ü,·□BColorSmartf
_fCfAf□fOf{fbfNfX,ìf^fCfgf<fo□[.ì't,Éfo□[fWf#“,â\Žì,³,è,Ü,·□B



•□' ,ì'â,«,³,Æ•;ŽG,³,ì^ó□ü□«”\,É%ºe<¿,μ,Ü,·□BfOf
%ºftfBfbfNfX,ì•□' ,ì□A'É□ífefLfXfg,¾,_,ì•□' ,æ,è^ó□ü,â'x,,È,è,Ü,·□B



PC,ì□—□'—“x,É,æ,è□A•□' ,afvfŠf“f^,Ö'—
,ç,è,é'—“x,âÆ^,Ü,è,Ü,·□B—
á,ì,ìfyf“fefBfAf€fvf□fZfbfT“<□Ú,ìPC,ì486fvf□fZfbfT“<□Ú,ì,à,ì,æ,è'—“x,
â'—,,È,è,Ü,·□B



“~Žž,É'½□”,ìf
ftfgfEjFfA,ðŽÀ□s,·,é,Æ^ó□üžžŠÖ,â,©,©,è,Ü,·□B,±
,è,ìfAfvfŠfP□[fvf#“,âPC,ìRAM,ð□Á”ì,μ,Ä,ç,é,½,ß,Ä,·□B^è“x,ÉŠJ,-
fAfvfŠfP□[fvf#“,â•□' ,ì□”,ð□\$CEÀ,μ,Ä,,¾,³,ç□B



fXfNfŠ□[f“ftfHf“fg,ìRAM,É•Ü'□,³,è,Ü,·□B,±
,è,É,æ,èf□f,š,ð□Á”ì,μ,Ä,ç,é,ì,Á□A, ,Ü,èŽg,í,É,çfXfNfŠ□[f“ftfHf“fg,âfv
fŠf“f^ftfHf“fg,ì□í□œ,μ,Ä,,¾,³,ç□B





[-ÚŽŸ](#)



["Á"K,ÈfvfŠf"f^,ìY'è](#)

fvfŠf"f^fhf%ofCfo,ìfAfbfvff[]fg



fqf...[]fCfbfgfjfbj[]fh,íA•s'èŠú,È,^a,çfvfŠf"f^fhf
%ofCfo,ìfo[]fWf#f"Afbfv,ðŽÄŽ{,μ,Ä," ,è,Ü,·B,±
,ê,ç,ìfo[]fWf#f"Afbfv,É,íA•s<i[]#,ìC^{3,3/4,} ,Ä,È,[]A<@"\,ð'Ç
%oÄ,^{3,1,1/2,}à,ìAfpftfH[]f}f"X,ðCEü[]ã,^{3,1,1/2,}à,ì,Æ,È,é,±,Æ,^a ,è,Ü,·
B[]Ä[]VfvfŠf"f^fhf%ofCfo,ì"üŽè•û-@,ìA-
{fvfŠf"f^,ìft[]fU[]fYfKfCfh,ð,²—, ,^{3/4,3,}ç[]B





-ÚŽŸ



Å“K,ÉfvfŠf“f^,ìŸ'è

fGfRfmftf@[fXfgf,[fh,ìŽg—p



fGfRfmftf@[fXfgf,[fh,ífhf%oftfg•iŽž,ì^óü,ðs,ç,Ü,·B,±
,lf,[fh,Å,íAfm[f}f<f,[fh,âxfXfgf,[fh,æ,è,à^óü'—“x,â'—,-
,É,è,Ü,·B,Ü,½,±,lf,[fh,ðŽg,æ,ÆfCf“fN,ìŽg—p—É,â,É,,É,è,Ü,·B
fGfRfmftf@[fXfgf,[fh,íA•'ÉŽž,ðŽg—p,·,é,Æ,«,ì,Ý—LCEø,Å,·B

Note: fJf%o[,ì•Ÿ' ,Åfhf%oftfg^óü,ðs,æ
,Æ,«,íA fGfRfmftf@[fXfgf,[fh,ð'l'ð,µA ufOfCE[fXfP[f<
,Å^óüv,ðf`fFbfN,µ,Å,,¾,¾,çBfJf
%o[,ì'ã,í,è,ÉfOfCE[fXfP[f<,ðŽg,æ,Æfhf%oftfg,ì^óü,â'—,-
,É,è,Ü,·B





-ÚŽŸ



Å“K,Évfšf“f^,ìŸ’è

Ž©“® ,Æf}fjf...fAf<,ìColorSmartf|fvfVf#f“



ColorSmartf_fCfAfOf{fbfNfX,ìf}fjf...fAf<|fvfVf#f“,ð’l’ð,·,é,±
,Æ,É,æ,èAfn[ftfg[f“A-¾,é,³A,“,æ,Ñfjf
%o[[]\$CEä,ìSeŸ’è,ª,Å,«,Ü,·B

Ž©“®

,·,x,Ä,ì•¶,É’í,μ,“,·,·,β,·,éŸ’è,Å,·B,±
,ìfvfVf#f“,íColorSmart<Zp,É,æ,èAfefLfxfgAfOf
%oftfBfbfNfX,Æ,à,ÉAfn[ftfg[f“A-¾,é,³A,“,æ,Ñfjf
%o[[]\$CEä,ðŽ©“®“l,ÉÅ“K,ÉŸ’è,μ,Ü,·B



Ž©“®,ÅColorSmart,ðŸ’è,·,éB



ColorSmartf_fCfAfOf{fbfNfX,ÅŽ©“®,ð’l’ð,·,éB



ColorSmartf_fCfAfOf{fbfNfX

f}fjf...fAf<

,±,ìfvfVf#f“,ð’l’ð,·,é,ÆAfefLfxfgAfOf
%oftfBfbfNfX,Æ,à,ÉAfn[ftfg[f“A-¾,é,³A,“,æ,Ñfjf
%o[[]\$CEä,ìŸ’è,ªf}fjf...fAf<,Å,“,±,È,ì,Ü,·B



f}fjf...fAf<,ÅColorSmart,ìŸ’è,ð,“,±,È,ªB

1 ColorSmartf_fCfAfOf{fbfNfX,Åf}fjf...fAf<,ð’l’ð,μ,Ü,·B

2

ìfvfVf#f“f{f^f“,ð’l,ñ,ÅColorSmartf|fvfVf#f“_fCfAfOf{fbfNfX,
ð•Žì,³,¹,Ü,·B

3 Žg—p,·,éfCf“fN,ì—Ê,ð²β,·,éêê#A-¾,é,,·,é,É,Í-
¾,é,³Ÿ’è,ìfxf%ofCf_[] ,ð¶,É(fCf“fN—Ê)A“Z,ìi^Ä,[] ,·,é,É,Í
%oE,É(fCf“fN—Ê’â)“® ,©,μ,Ü,·B

4 fn[ftfg[f“,Å,íAfpf^[]f“,·,é,ç,íŠgŽÜ ,ð’l’ð,μ,Ü,·B

5 fjf%o[[]\$CEä,Å,íAfrfrfbfhjf%o[[]A,·,é,ç
,ìf}fbf_fXfNfš[]f“,ð’l’ð,μ,Ü,·B



ColorSmartf|fvfVf#f“_f_fCfAfOf{fbfNfX{fbfNfX





-ÚŽŸ



Å“K,ÈfvfŠf“f^,ìY'è

fjf%oo[^ óü,Æf,fmfNf ^ óü



HP DeskJet850CfvfŠf“f^,íAfvf%oo[^ óü,æ%Å“\
,ÈfAfvfŠfP[fVf#“ ,ðŽg—p,μ,Å,ç,éèè#Af,fmfNf,Å,àjfj
%oo[,Å,à^óü,·,é,±,Æ,ª,Å,«,Ü,·B

fjf%oo[,Å^óü,·,é,É,íAfvfŠfP[fVf#“ ,ì^óüf_fCfAfOf{fbfNfX,Åjfj
%oo[^ óü,ð'ì'ð,μ,Ü,·BWindows,©,çColorSmartfvfŠf“f^fhf
%ofCfo,ð'ì'ð,μ,Å,,¾,¾,¾,çB

fjf%oo[,ì^óü·iŽž,íA,SŽí,ìfCf“fNifuf
%ofbfNfAfVfAf“AfCfGfAf}f{f“f^,ð^óü,·,éfy[fW,É,Ç,ì,æ,x
,É”z'u,·,é,©,É,æ,è,Ü,·BHP DeskJet
850CfvfŠf“f^,íAColorSmart<Zp,É,æ,è•¶' ,ð•¶í,μAÅ—Ç,ìjfj
%oo[[]o—í,ð,,±,È,ç,Ü,·B

fjf%oo[,ì•¶' ,ì,ðfOfCE[fXfP[f<,Å^óü,·,é,±
,Æ,É,æ,èAZŽŠÔ,ÆfCf“fN,ðß-ñ,·,é,±
,Æ,ª,Å,«,Ü,·BfOfCE[fXfP[f<^óü,É,·,é,ÆAfjf
%oo[,ì”Z'W,ªfOfCE[ì”Z'W,Å•\CE»,¾,è,Ü,·Bfjf
%oo[,ì•¶' ,ðfOfCE[fXfP[f<,Å^óü,·,é,É,íAColorSmart,ìf_fCfAfOf{
fbfNfX,ÅfOfCE[fXfP[f<,Å^óüf^fFfbfNf{fbfNfX,ðf^fFfbfN,μ,Ü,·B



ColorSmartfVfVf#“
f_fCfAfOf{fbfNfX



HP
ColorSmartfvfŠf“f^fhf
%ofCfo



-ÚŽŸ



Šeží—pŽt,ì'í'ò

OHPftfBf<f€,ì^óü



OHPftfBf<f€,ì^Á•É,ÈŽæ,è^μ,ç,ª•K—
v,Ä,·□BColorSmartf_fCfA□fOf{fbfNfX,Ä,ì□Ý'è,É,æ,è□A^óü•iŽ,ª•Ī,í,
è,Ü,·□B

▶ OHPftfBf<f€,ì^óü

- 1 HPfvfCEf~fAfeOHPftfBf<f€,ìfUf%ofUf%o,μ,½-É,ð
%oo,É□Afe□[fv,ì, ,é•ù,ð□æ,É,μ,ÄfgfCEfC,ÉfZfbfg,μ,Ü,·□B
HPfvfCEf~fAfeOHPftfBf<f€,ì□A,±,ìHP DeskJetfvfŠf“f^—p,ÉŠJ”-
,³,è,½,à,ì,Ä,·□B
- 2 ColorSmartf_fCfA□fOf{fbfNfX,ðŠJ,ç,Ä^È%oo,ì□Ý'è,ð□s,Á,Ä,-
,¾,³,ç□B



—pŽt,ìfZfbfg



ColorSmartf_fCfA□fOf
{fbfNfX



Ž©“®,ð'í'ð,μ,Ü,·□B



^óü•iŽ,ìfxfXfg,ð'í'ð,μ,Ü,·□B



^óü,ìCEü,«,É,Ä,ç,Ä□A□c,Ü,½,Í%oo,ì,ð'í'ð,μ,Ü,·□B



^óü•“□”,ðf^fCfv,·,é,©□ã%oo,ì-í^ó,ðfNfŠfbfN,μ,Ü,·□B



□Ä□f□[fW,©,ç^óü,·,é,É,ì^óü□□~f`fFfbfNf{fbfNfX,ðf`fFfbfN,μ,Ü,·
□B^óü,ª□i,í,é,Æ□Ä%oo,ìf□[fW,ª□æ“ª,É,É,è,Ü,·□B



—pŽt,ìŽí—pfvf_fEf“fŠfXfg,ÄOHPftfBf<f€,ð'í'ð,μ,Ü,·□B



—pŽtftfCfYfvf_fEf“fŠfXfg,ÄA4,Ü,½,ìfCEf^□[.ð'í'ð,μ,Ü,·□B



HPfvfCEf~fAfe□è—
pŽt,ì^óü

- 3 OKf{f^f“,ð'í'ð,μ,Ü,·□B
fvfŠf“f^,ìOHPftfBf<f€,ð□o—í,·,é-
^,ÉŽ©“®“ì,ÉŠf‘fŽžŠÔ,ð,Æ,è,Ü,·□B^óü,ð'±
, ,é,É,ìfvfŠf“f^,ì'O-É,ìfCEfWf...□[fEf{f^f“ □,ð%Ÿ,μ,Ü,·□B

□Ä—Ç,ìfj%oo□[^óü,ì•iŽ,ð•Ü,Ä,É,ì□AftfBf<f€
,ð^óüCEã10□`15•ªSÔ,“,ç,Ä,©,ç•ÜCEì'Ü,É“ü,è,é,æ,π,É,μ,Ä,-
,¾,³,ç□B\•ªSf‘f,³,¹,è,ì%oo~,è,â'p□F,ª“ð, ,ç,è,Ü,·□B



 -ÚŽŸ

 Šeží—pžt,ì'ì'ð

••“>,ì^óü




<<ŽtfgfCfC,É^è“x,ÉfZfbfg,Ä,«é••“>,í15-†,Ü,Ä,Ä,·□B,Ü,½□AZè□,μ—pžtftfB□[f_ðžg,Á,Ä□i<<ŽtfgfCfC,©,ç—pžt,ðžæ,è□œ,©,É,ç,Ä□j••“>,ð1-†—,é,±,Æ,ª,Ä,«,Ü,·□B


Žè□,μ—pžtftfB□[f_žg—pžž□A••“>,Æ—pžt,ÉCEðCEÝ,É^óü,·,é,±,Æ,ª,Ä,«,Ü,·□B,±,ì,ç,ì,·□'ÉŽt,Æ••“>,ð'±,·,Ä^óü,·,é,Æ,«,É-ð,É-š,ì,Ü,·□B

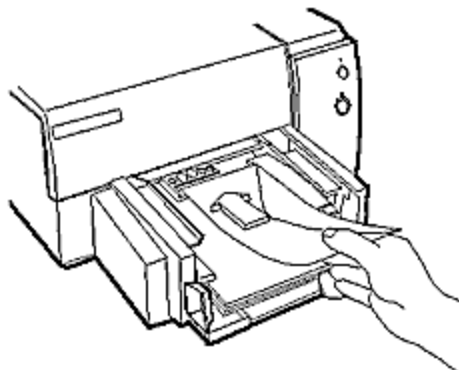
Note: □Ä—ç,ì^óü•ižì,ð“¾,é,Æ,Æ,à,É□Afy□[fpftfB□[fhf□□[f%o,É••“>,ð<ì,Ü,ç,¹,É,ç,½,ß,É,í□Aft□[fU□[fyfKfCfh,É<L□Ú,³,é,Ä,ç,é—pžtCEú,ì••“>,ðžg—p,μ,Ä,,¾,³,ç□B

► Žè□,μ—pžtftfB□[f_ðžg,Á,Ä••“>,ð^óü,·,é□B

- 1 Žè□,μ—pžtftfB□[f_ð□¶
%oE,É^Ú“®,³,¹□A••“>,ì•□,É□¶,í,¹,Ü,·□B
- 2 ••“>,ðžè□,μ—pžtftfB□[f_ìfXf□fbfg,É□A^óü-É,ð%o²,É,μ,Ä“É,«“-½,é,Ü,Ä□,μ□ž,Ý,Ü,·□B

 flfXf^f€ftfCfY—
pžt,ì^óü

 —pžt,ìfZfbfg

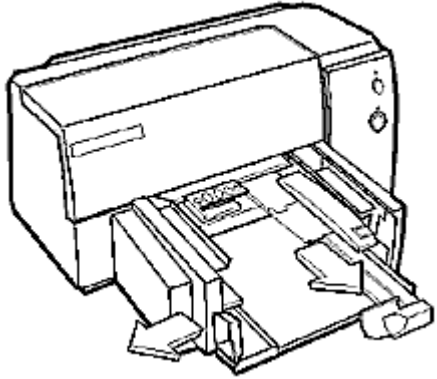


- 3 •K—v,É%ž,¶,Äžè□,μ—pžtftfB□[f_ð□Ä,Ñ^Ú“®,³,¹□A••“>,ì%oE'[,ª<<ŽtfgfCfC,ì%oE'¤,É,»è,¤,æ,¤,É²□®,μ,Ü,·□B

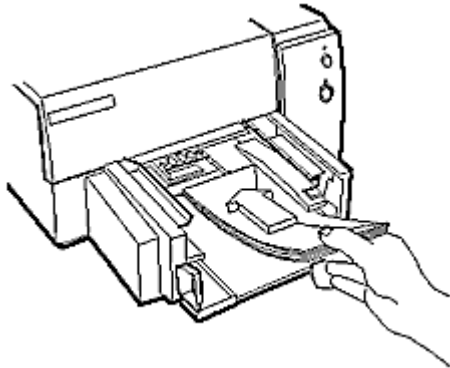
- 4 fvšf“f^fhf%ofCfo,ì^óü□Ý'è,ð□A••“>,ìží—p□AftfCfY□A^óü•ûCEü,É□¶,í,¹,Ü,·□Bžè□,μ—pžtftfB□[f_ð%oE,Ü,½,í□¶,É“®,©,μ,Ä□A••“>,ì•□,É□¶,í,¹,Ü,·□B

 <<ŽtfgfCfC,ðžg,Á,Ä••“>,ð^óü,·,é□B

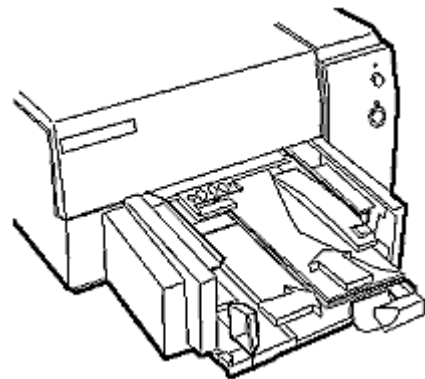
- 1 —pžt•□²□®fCfo□[ì,ð^Ú“®,³,¹□A^è“ÔŠO'¤,Ü,Äšg,°,Ü,·□B



- 2 —pŽt', 3'2 @fCefo [, δ ^ ø , « □ o , μ □ A « Ž t f g f C e f C , © , ç , , x , Ä , l — p Ž t , δ Ž æ , è □ œ , « , Ü , · □ B
- 3 □ Å ' å 15 - † , Ü , Å , l • • " > , δ Ž æ , è □ o , μ □ A • • " > , l ' Z • Ó , δ • ½ , ç , È - Ê , l □ ä , É — š , Ä , Ä C y , , ½ , ½ , « □ A , æ , ' μ , l , Ü , · □ B
- 4 « Ž t f g f C e f C , É • • " > , δ ^ ¶ - ¼ , l - Ê , δ % ° E , μ , Ä □ i , Ó , ½ , l • " • a , δ □ ä , É , μ , Ä □ j , É ' u , « , Ü , · □ B



- 5 • • " > , l □ Ü , è - Ü , l , , é , Ó , ½ , l ' [, a « Ž t f g f C e f C , l % ° E ' α , É , » , è , Ä , Ä , ç , é , ± , Æ , δ š m " F , μ , Ü , · □ B
- 6 —pŽt' • ' 2 □ @fCefo [, δ □ A • • " > , l □ ¶ ' [, Æ ^ ê ' v , , , é , Ü , Å % ° E , Ó , , , ç , μ , · □ B



- 7 —pŽt', 3'2 @fCefo [, δ • • " > , l • û , Ö □ A Ž ~ , Ü , é , Ü , Å % ° Ÿ , μ □ ž , Ý , Ü , · □ B

••“>,ª<<ŽtfgfCEfC,ì't,Å”g,đ,α,Á,Ä,ç,È,ç,±,Æ,đŠm”F,μ,Û,·□B

- 8 ColorSmartf_fCfAf□fOf{fbfNfX,Å□A—pŽt,ìŽí—p,Æ—
pŽtTfCfY,đ□AfvfŠf“f^,ÉCE»□ÝfZfbfg,³,è,Ä,ç
,é••“>,ìfTfCfY,É□Ý’è,μ,Û,·□B



-ÚŽŸ

Šeží—pŽt,ì'í'ö

fjfx^f€ftfcfy—pŽt,ì'óü



fjfx^f€ftfcfy—pŽt,ì'óü
p,μ,½,çftfcfy,Æ,í,É,çêçAColorSmartf_cfAfOf{fbfNfX,©,çŽ
©—R,Éftfcfy,ð'è< , ,é,±,Æ,Ä,«,,Ü,·B

—pŽt,ì'óü
••“>,ì'óü

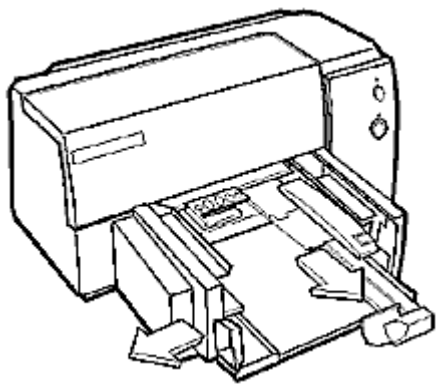
HP DeskJet850Cfvfšf^,ì<<ŽtfgfCfC,É,íA—pŽt',Æ—
pŽt,ðŠÉ'P,É'²@,Ä,«,éfcfo[, ,è,Ü,·B—
pŽt,í100mm 216mmA—pŽt',í148mm 356mm,ì'í'í,Ä,·B

Note: A—ç,ì'óü•iŽ,ð¾,é,Æ,Æ,à,ÉA<<Žtff%o,ìŽt<l,Ü,è,ð-
h,®,½,ßAŽŸ,ìd,³,ì—pŽt,ðŽg—p, ,é,±,Æ,ð, , ,ß,μ,Ü,·B

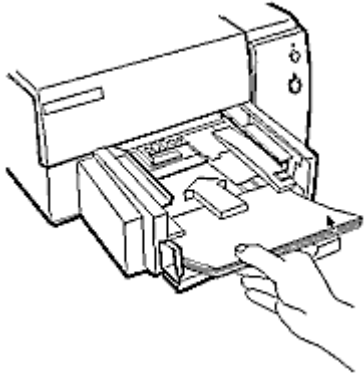
- ÉŽtF60 135 g/½•ûffgf<
- @>F75 90 g/½•ûffgf<
- fjfhF110 200 g/½•ûffgf<

fjfx^f€ftfcfy,ì—pŽt,ì'óü

- 1 ColorSmartf_cfAfOf{fbfNfX,Äfjfx^f€f{f^f“,ð'í'ö,μ,Ü,·B
fjfx^f€—pŽtftfcfyf_cfAfOf{fbfNfX,Æ» ,é,Ü,·B
- 2 ³,μ,ç'P^Êiffgf<^fcf“f j,²'í'ö,³,é,Ä,ç,é,±
,Æ,ðSm”F,μ,Ä,,¾,¾,çB
- 3 —pŽtftfcfy,ì%º,É, ,éA•,Æ',¾,ìftfB[f<fh,ÉŽg—p, ,é—
pŽt,ì•,Æ',¾,ð“ü—í,μ,Ä,,¾,¾,çB
- 4 OK,ðfNfšfbfN,μ,Ü,·B
- 5 —pŽt•fcfo[,Æ—pŽt',¾²@fcfo[,ð,ç,Á,Ī,ç
,Ü,ÄŠg,º,Ü,·B



- 6 <<ŽtfgfCfC,ì%ºE'x,É%º^,x,æ,x,É—
pŽt,ð19mm,ð',ì,É,ç,¾,¾,ì'í'í,ÄA^óü—É,ð%º,É,μ“È,«“—
,¾,é,Ü,Ä' }“ü,μ,Ü,·B



7 —pŽt,ì'[,É,«,¿,ñ,ÆftfBfbfg,·,é,æ,æ,É□A'·,³,¨,æ,Ñ•□,ì—
pŽt'²□@fCEfo□[,ð□Ý'è,μ,Û,·□B

8 ^óü,ì€"ö,º□@,Á,½,ç□AfAvfšfP□[fvf#f",ìftf@fCf<f□fjf...
□[,ì^óü_fCfAf□fOf{fbfNfX,©,ç□AZg—p,·,é—pŽt,ìŽí—
P□AfTfCfY□A^óü,ì€ü,«,È,Ç,ð□Ý'è,μ,Û,·□B

—pŽtftfCfY,ì□Ú□×,É,Â,ç,Ä,Í□Aft□[fU□[fyf}fjf...fAf<,ðŽQ□Æ,μ,Ä,-
,¾,³,ç□B





-ÜŽŸ



ŠeŽí—pŽt,ì'í'ð

HPfvfĈf~fAf€□ê—pŽt,ì^ó□ü



•Ÿ□,ì-Ú“l,Æ—v<□•iŽž,É,æ,è□A^ó□ü,ÉŽg—p,·,é—pŽt,ìŽí—
 p,ªĈE^,Ü,è,Ü,·□BColorSmartf_fCfAf□fOf{fbfNfX,Å'í,ñ,¾—pŽt,ìŽí—
 p,ª□AfvfŠf“f^,ÉfZfbfg,μ,½—pŽt,É□‡,Á,Ä,ç,é,±,Æ,ðSm“F,μ,Ä,-
 ,¾,³,ç□BfvfŠf“f^fhf%ofCfo,í'í'ð,μ,½”}’ì,ìŽí—
 p,É□‡,í,¹,Äfy□[fW,É^ó□ü,·,éfcf“fN,ðfRf“fgf□[f<,μ,Ü,·□BColorSmartf_f
 CfAf□fOf{fbfNfX,Å'í'ð,μ,½—pŽt,ìŽí—
 p,Æ^U,É,é□ê□‡,É,í□A^ó□ü•iŽž,ª'á%o,μ,Ü,·□B



—pŽt,ìfZfbfg



—pŽt,ìŽí—p,ð'í'ð,·,é□B

1 ColorSmartf_fCfAf□fOf{fbfNfX,ðŠJ,ç,Ä□A—pŽt,ìŽí—
 p,ìfŠXfgf{fbfNfX,Å%oĈEü,«,ì-î^ó,ðfNfŠfbfN,μŽg—p%oÅ“\,È—
 pŽt,ìŽí—p,ð•\Ží,³,¹,Ü,·□B



ColorSmartf_fCfAf□fOf{fbfNfX

, ,é,ç,í

TABfL□[,ð%oŸ,μ,Ä—pŽt,ìŽí—pfŠXfgf{fbfNfX,ðfnfCf
 %ofCfg,³,¹□AALT(GRPH)+%oĈEü,«-î^ó,ð%oŸ,μ□A—pŽt,ìŽí—
 p,ð•\Ží,³,¹,Ü,·□B

2 ^ó□ü,ÉŽg—p,·,é—pŽt,ìŽí—p,ðfNfŠfbfN,μ,Ü,·□B

, ,é,ç,í

-î^ófL□[,ð%oŸ,μ,ÄE»Ÿ,ì^ó□üfWf†fu,É□‡,ª—pŽt,ìŽí—p,ðfnfCf
 %ofCfg,³,¹,Ü,·□B

•□'ÉŽt - f{f“fhŽt□Afrfs□[—pŽt□A,í,ª,«□A,“,æ,Ñ••“>

HP OHPftfBf·f€ - □ê—pOHPftfBf·f€,Ö,ìfjf

%o□[,Ü,½,ìf,fmfNf□^ó□ü—p□B2-
 ‡^É□ã^ó□ü,·,é□ê□‡□AfvfŠf“f^,í,P-‡^ó□ü,·,é,²,Æ,Éfcf“fN,ðŠf
 ,©,¹,é,½,β,É□”•ªSÓ'Ö,ž,Ü,·□B

HP OHPftfBf·f€(f|□[fY□SĈEä•t,«) -

Ž¼“x,ª□,,ç□ê□‡□AftfBf·f€□ã,ìfCf“fN,ìŠf,«,í'x,-
 ,È,è,Ü,·□BfvfŠf“f^,í,P-
 ‡^ó□ü,·,é,²,Æ,É'âž~ ,μ,Ü,·□B^ó□ü,ð□ÄŠJ,·,é'O,É”rŽtfgfĈfC,©,
 çftfBf·f€,ðŽæ,è□o,μ,Ä,-
 ,¾,³,ç□B^ó□ü,ð□ÄŠJ,·,é,É,ìf_fCfAf□fOf{fbfNfX,ìOKf{f^f“,ðfNf
 ŠfbfN,μ,Ä,,¾,³,ç□B

HPĈEö'òŽt - fjf%o□[,ì□o—í,É“K,μ,½□ê—pĈEö'òŽt□B2-

‡^É□ã^ó□ü,·,é□ê□‡□AfvfŠf“f^,í,P-‡^ó□ü,·,é,²,Æ,Éfcf“fN,ðŠf
 ,©,¹,é,½,β,É□”•ªSÓ'Ö,ž,Ü,·□B

HPĈEö'òŽt(f|□[fY□SĈEä•t,«) -

Ž¼“x,ª□,,ç□ê□‡□ACEö'òŽt,ìfCf“fN,ìŠf,«,í'x,-
 ,È,è,Ü,·□BfvfŠf“f^,í,P-
 ‡^ó□ü,·,é,²,Æ,É'âž~ ,μ,Ü,·□B^ó□üfWf†fu,ð□ÄŠJ,·,é'O,ÉfvfŠf“f^
 ,ì”rŽtfgfĈfC,©,ç—pŽt,ðŽæ,è□o,μ,Ä,-
 ,¾,³,ç□B^ó□ü,ð□ÄŠJ,·,é,É,ìf_fCfAf□fOf{fbfNfX,ìOKf{f^f“,ðfNf

ŠbfN,μ,Ä,,³/₄,³,ç□B

HPfvfCEf~fAf€fCf“fNfWfFfbfg□ê—pŽt -
□,•iŽ;f,fmfNf□,Ů,¹/₂,Íjff%□[□o—í—p,Å,·□B





[-ÚŽŸ](#)



[Šeží—pžt,ì'í'ð](#)

fOfCE[fXfP[f<^óü



fjf%o[.ì•¶' ,ìhf%oftfg"Å,ðfOfCE[fXfP[f< ,Å^óü, .,é,±
,Æ,É,æ,èŽŽŠŌ,ÆfCf"fn,ìÅ"i,ªCEyCE, ,Å,« ,Ü, ·BfOfCE[fXfP[f< ,Å,ìfC
f[fW^—,Å,ìAfff%o[,ì"Z"x,ªfOfCE[,ì"Z'W,Å•\CE»,³,è,Ü, ·B



fOfCE[fXfP[f< ,Å•¶' ,ð^óü, .,éB



ColorSmartf_fCfAfOf{fbfNfX,ÅAufOfCE[fXfP[f< ,Å^óüv,ìf`fFfbf
Nf{fbfNfX,ð'í'ðif`fFfbfNj,µ,Ü, ·B



[ColorSmartf_fCfAfOf
{fbfNfX](#)



-ÚŽŸ



Šeží—pžt,ì'í'ð

fjf%oo[] ^ ó [] ü



í•ň,đfrfWf...fAf<,É•\Œ»;,é[]ê[]#[]Afjf
%oo[],í<—í,Éfc[]f<,Æ,É,è,Û,·[]Bfjf%oo[],ðŒø
%ooÉ“l,ÉŽg—
p,·,é,í[]A^ó[]ü•“,ÉfCf“fppfNfg,ð—
^,;[]ACE©,é[]l,É<>—j,ð^ø,«[]o,μ[]ACE©,½—
Ú,à—Ç,[]Afvf[]•À,Ý,ìŒø%ooÉ,ð—^,;l,é,±
,Æ,ª,Â,«,Û,·[]B



ColorSmart<Z[]p,Æ,í[]H



,ç,Â,Ç,±,Âfjf%oo[],ðŽg,ª



fjf%oo[],ì'l,Ñ•û



[-ÚŽŸ](#)



[Šeží—pžt,ì'í'ð](#)



[fjf%o□\[^ó□ü](#)

ColorSmart<Z□p,Æ,Í□H



HP,ìColorSmart<Z□p,É,æ,è□,•iž; ,ìfjf
%o□[•¶□',ªŠÈ'P,É^ó□ü,Å,« ,Ü,·□BColorSmart,Í•¶□',ðž©“® ,Å•ª□í,μ□A
^ó□ü,·,é,Æ,« ,É□Å□, ,ì•iž; ,ª“¾,ç,è,é,æ,ª,Éfjf
%o□[,ì□Ý'è,ðž©“®“l,É, ,±,É,ç,Ü,·□B

ColorSmart<Z□p,í□A•¶□',ªfRf“fsf...□[f^ ,©,çfvfŠf“f^ ,Ö'—
,ç,è,é□Üf□f,fS□ä,ì•¶□',ðfXfLfff“ ,μ,Ü,·□B,» ,ìCE<%oÉfy□[fW,ì,ç,ì•“•ª ,ª
□AfefLfXfg, ©□Afjf%o□[,ìCE©□o,μ, ©□A'P□f,ÉfOf
%o□ftfBfbfNfX, ©□AfXfLfffi,É,æ,éžÉ□^fCf□□[fW, ©□A,È,ç,ðCE^ ,ß'í□Ü,ì
Ží•É,ðCE^'è,μ,Ü,·□BColorSmart,íŽŸ,É□AfvfŠf“f^ ,ìfjf%o□[f}fbfv,ìf
%o□fCuf%o□fŠ□[,ð'T,μ□A,» ,è,¼,è,ì'í□Ü,É%ož,¶,½□Å“K,Éfjf
%o□[f}fbfv,ð'l,Ñ,Ü,·□B

fjf

%o□[•¶□',ðfOfCE□[fXfP□[f< ,Å^ó□ü,·,é□è□±□AColorSmart<Z□p,í□Å“K,Èf
n□[ftfg□[f“ ,Æ-¾,é,¾,ðCE^ ,ß□AfOfCE□[,ì“Z'W,Åfjf%o□[,ð•\CE»,μ,Ü,·□B



ColorSmart,ìžg,ç•û□B



ColorSmartf_fCfAf□fOf{fbfNfX,Åž©“® ,ð'l'ð,μ,Ü,·□B

ColorSmart,í□A•¶□',É□±,í,¹,Å□Å“K,Éfjf

%o□[□Ý'è,ðž©“®“l,É, ,±,É,ç,Ü,·□B

ColorSmartf_fCfAf□fOf{fbfNfX,Å□Af}fjf...fAf<flfvfVf†f“ ,ð'l'ð,·,é,î□A,ç
,Å,Å,àColorSmart,ìž©“®□Ý'è,ª'tž~ ,·,é,±,Æ,ª,Å,« ,Ü,·□B



HP

[ColorSmartfvfŠf“f^fhf
%o□fCfo](#)



[ColorSmartf_fCfAf□fOf
{fbfNfX](#)



[ž©“® ,Æf}fjf...
fAf<,ìColorSmartflfvfVf
†f“](#)



-ÚŽŸ



Šeží—pžt,ì'í'ð



fjff%oo□[ˆó□ü

,ç,Â,Ç,±,Åfjff%oo□[,ðŽg,α,©



fjff%oo□[,ðŒø%ooÉ“l,ÉŽg—p,·,è,Î□A□d—v,Éŋî•ñ,ðfnfCf
%ofCfg,^{3,1,1/2},è□A<'2,μ,1/2,è,·,é,±,Æ,â,Â,«,Û,·□Bfjff%oo□[,ðŒë,Á,Äžg—
p,·,é,ÆŒ©,é□l,ì<C,ð,»ç,¹,Ä,μ,Û,ç,Û,·□B,±,lfKfCfhf
%ofCf““ðŽQ□Æ,ì,α,ì□Aˆó□ü•““ðfjff%oo□[,Ä<'2,μ,Ä,Ý,Ä,·^{3/4,3},ç□B



fjff%oo□[,í□à-¾,ìžè'í,Ä,·,è□A□ü,é,1/2,β,ì,à,ì,Ä,í,·,è,Û,¹,ñ□B
^{1/2,¾}□ü,é,^¾,·,ì,1/2,β,Éfjff%oo□[,ð'1/2—p,·,é,Æ□A,»lŒø
%ooÉ,ðž,·,ç,©,É,Û,¹,ñ□B
—á□F□'Ž®,ì•“•a,ð•\,·,ì,É□ü,âf{fbfNfX,ì'ã,í,è,Éfjff
%oo□[,ì“wŒi,ðžg,α,ÆŒø%ooÉ“l,Ä,·□B



fjff%oo□[,ì'l,Ñ•û



Šú'Ò,ðžì,·,fpf^□[f““Éfjff%oo□[,ðžg,ç,Û,·□B
^è“x“□^è,ì,·,é•\Œ»•û-@,ð,Æ,Ä,1/2,È,ç,ì,»è,ð'±,·,Ä,-
^{¾,3},ç□B,à,μ,»è,©,çŠO,è,é,Æ,«,ì□A,1/2,¾<'2,ì,1/2,β,¾,·,É—·,β,Ä,-
^{¾,3},ç□B
—á□F•\,ì't,Ä,ì□-Œv,ð<'2,·,é,ì,É,·,é,Éfjff%oo□[,ðžg,ç□A'□□Œv,ð<-
'2,·,é,ì,É•É,ìfjff%oo□[,ðžg,α,ÆŒø%ooÉ“l,Ä,·□B



—pž—,ì□€-Û,âšT“O,ðfOf<□[fv%oo»μ,1/2,è□A'ŠŒY,ìŠŒEW,ð•\
μ,1/2,è,·,é,ì,Éfjff%oo□[,ðžg,ç,Û,·□B
·,à,μfjff%oo□[,Æ,»l^Œ-i,ÉŠŒ~A,Ä,·,1/2,ç,È,ç,Î□A□□“l,ìfjff
%oo□[,ð'□^Œ□[,l,ñ,Äžg—p,μ,Ä,·^{¾,3},ç□B
—á□F3□`4žì,ìžâ—



v,ÉfgfsfbfN,ðšÜ,bfvfŒf[f“fe□[fvf“f“,Ä,ì□A□V,μ,çfgfsfbfN,Œ^Û,é,Æ,«
Œ©□o,μ,ìfjff%oo□[,ð•ì,ì,é,ÆŒø%ooÉ“l,Ä,·□B



□•É%oo»·,é,1/2,β,Éfjff%oo□[,ðžg,ç,Û,·□B
^è,Ä,ìfCf□□[fw,ì't,Ä^Û,È,é—v'f,ð<æ•É,·,é,É,ì•j□“l,ìfjff
%oo□[,ðžg,ç□A,³,ç,ÉŒ©,â,·,³,ð
%ooü'P,·,é,1/2,β,É,ìfCf□□[fw,ìftfCfy,ð'â,«,,μ,Û,·□B
—á□F,·,é^è,Ä,ì-fOf%oft,ÉŠÛ,Û,è,é•j□“l,ìfjff
%oo□[ff□[f^,ð□A'1/4,ì•j□“l,ì-fOf%oft,ì□î•ñ,ÆŠŒ~A,Ä,·,é,±
,Æ,^¾,Ä,«,,Û,·□B,Û,1/2,ì%o~fOf%oft,ì,·,é•“•a,ð<-
'2,·,é□è□Œ□A,»ì•“•a,ì,Ý,É□F,ð•t,·,Û,·□B



fjff%oo□[,ð'1/2,žg,ç,·,¬,È,ç,æ,α,É,μ,Û,·□B
fjff%oo□[,ðžg,ç,·,¬,È,ç,æ,α,É,·,é,±
,Æ,É,æ,è□AZg,Ä,1/2□è□Œ,ìfCf“fpfNfg,ð'â,«,,Ä,«,,Û,·□B
—á□F'n□},ì't,Ä'n□}'S'l,Éfjff%oo□[,ðžg,α
,æ,è,à□AŠŒŒS,ðž□,1/2,1'□^Œ,ð^ø,«,,Ä,·,1/2,ç•“•a,ì,Ý,Éfjff
%oo□[,ðžg,α•û,^¾,æ,èŒø%ooÉ“l,Ä,·□B





-ÚŽŸ



ŠeŽí—pŽt,ì'í'ð



fjf%oo□[ˆó□ü

fjf%oo□[,ì'í'ð



ˆó□ü,É“K□Ø,Èffjf%oo□[,ð'í,Ô,É,í□Afff
%oo□[,ì'ŠCEYSŌCEW,É,Â,ç,Ä,ÌŠî-{'mŽ- ,ª•K—v,Â,·□B□FŠÂ□i
%ooE□}ŽQ□Æ□j,í□F,ì'g,Ý□‡,í,¹,ð,æ,Ü,, ,±,É,æ,½,ß,É-ð,É—
š,ž,Ü,·□B



•¶□',ð“□ˆê,·,é,É,í□FŠÂ,©,ç,P,Â,ì□F'Š,ð'í,Ñ,Ü,·□BfrfWf...
fAf<,ÉCEø%ooÉ,ð“¾,é,É,í□A'í,ñ,¾□F,ì-¾ˆÂ,ð•í%oo» ,³,¹,Ü,·□B



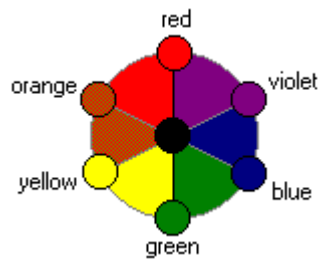
□FŠÂ,ìCEÝ,ç,É<ß,ç,Q,Â,ì□F'Š,ð'í,Ô,±
,Æ,É,æ,è□A□Â,Æ—î,È,Ç,ì,æ,æ,É'²~a,ð□¶,Ý□o,·,±
,Æ,ª,Â,« ,Ü,·□B



fRf“fgf%ofXfg,ð□¶,Ý□o,·,½,ß,É,í□A□FŠÂ,ÂCEÝ,ç,É—f
,ê,½ffjf%oo□[,ð'í,Ñ,Ü,·□B—á,ì,í□Ô,Æ%oo©□A—
î,ÆŽ‡,É,Ç,Â,·□B,³,ç,É“wCEi,É,íˆÃ□F□A'ŌCEi,É,í-¾□F,ðŽg—
p,µ,Ü,·□B



□Ô,Æ—î,ì,æ,æ,É□FŠÂ,Â'í□ìˆÉ'u,É, ,éffjf%oo□[,ðŽg,æ
,ì,í, , ,ß,µ,Ü,¹,ñ□B,µ,©,µ,±,ê,ç,ìˆé'g,ì•â□F,ì“Z“x,ð•í
%oo» ,³,¹□ACEø%ooÉ,ð□,ß,é,Æ,ç,æ•û-@,à, ,è,Ü,·□B



□F'S

fff%o□[□i□F□Ê□j,Ü,½,í□F□Ê,ìfOf%off□[fVf#f",đ,³,μ,Û,·□Bfff%o□[,í□A□Ô□A—î□A□Â,È,Ç,ì□F'S,ì-
¼'O,ÅÆÄ,Î,ê,Û,·□B

☐ -ÚŽŸ

☐ -pžt,Æfvfšf“fgfj□[fgfšfbfW,ižg-p-@

—pžt,ižfbfg

☐

HP DeskJet850Cfvfšf“f^,í•□'ÉŽt,“,æ,Ñ,»,ì'¼,ì" }ì,É^óü,·,é,±,Æ,ª,Å,«,Ü,·□B

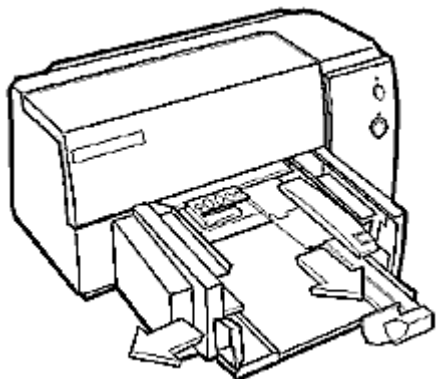
<<ŽtfgfCfC,É—pžt,đ'Ç%oÁ,·,é,Æ,«,í□A<<ŽtfgfCfC,©,ç,·,x,Ä,ì—pžt,đžæ,è□o,μ□A“ Ží,ì—pžt,ì□V,μ,ç'©,Æ^é□□,É,μ,Ü,·□B—pžt,ì'©,đ•½,ç,É-É,É—š,Á,Á'©,đ,»,è,ì,Ü,·□B<<ŽtfgfCfC,É,í^è“x,É—pžt□A,ì,ª,«□AOHPftfBf<f€,É,ç19mmCÉú,Ü,Á□A••“>,í15-ž,Ü,ÁfZfbfg,·,é,±,Æ,ª,Å,«,Ü,·□B

,P-ž,¾,~^óü,μ,½,ç□é□ž,É,í□A<<ŽtfgfCfC,©,ç,Ü,½,ížè□,μ—pžtftfB□[f,©,ç^óü,·,é,±,Æ,ª,Å,«,Ü,·□B

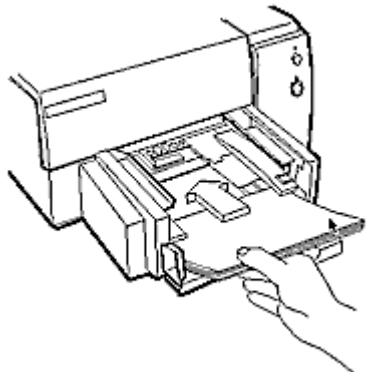
☐ <<ŽtfgfCfC,É—pžt,“,æ,Ñ,»,ì'¼,ì" }ì,đfZfbfg,·,é□B

1

Žt•□'²□@fCfo□[,đ□¶'l,Éšň,¹□AŽt'·,³'²□@fCfo□[,đ^ø,«□o,μ,Ü,·□B



2 19mmCÉú,Ü,Á,ì—pžt,ì'©,đ^óü-É,đ%o,É,μ,Ä<<ŽtfgfCfC,É“É,«“-½,é,Ü,Á“ü,è,Ü,·□B



3 Žt'·,³'²□@fCfo□[,đ%Ÿ,μ□ž,Ý,Ü,·□B,±,ì,Æ,«—pžt,ª<<ŽtfgfCfC,ì†,Á,½,í,ň,Á,ç,É,ç,±,Æ,đšm“F,μ,Ä,,¾,³,ç□B

☐ flfXf^f€fTfCfY—pžt,ì^óü

☐ ••“>,ì^óü

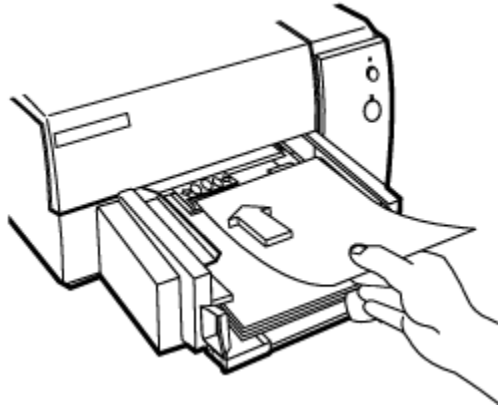
☐ HPfvfCf~fAf€□é—pžt,ì^óü

☐ OHPftfBf<f€,ì^óü



**Žè□,μ—pŽtftfB□[f_δŽg—p,μ,Ä—
pŽt,„æ,Ñ,»„i“¼,i”}‘l,ðfZfbfg,·,é□B**

- 1 fZfbfg,·,é—pŽt,i•□,É□‡,í,¹,Ä□AŽè□,μ—pŽtftfB□[f_ð□¶
%oE,É^Ú“®„μ,Û,·□B
- 2 Žè□,μ—pŽtftfB□[f_ìXf□fbfg,É□A—pŽt,ð^ó□ü-Ê,ð
%oo,É,μ,Ä“É,«“-¼,é,Û,Ä□,μ□ž,Y,Û,·□B



- 3 <<ŽtfgfCfC,ì%oE‘α,É—pŽt,ì%oE‘[,ª,»„ë,α,æ,α,É□AŽè□,μ—
pŽtftfB□[f_ð‘²□β,μ,Û,·□B
- 4 fvšf“f^fhf%ofCfo,Ä□A—pŽt,ìží—
p□AftfCfY□A•ûCEü,ð□Y‘è,μ,Û,·□B



☐ -ŮŽŸ

☐ -pŽt,ÆfvfŠf“fgfj□[fgfŠfbfW,iŽg-p-@

fvfŠf“fgfj□[fgfŠfbfW,iŽæ,è•t,-
☐

HP DeskJet850CfvfŠf“f^,É,Í□•,Æfjf
%□[,lfvfŠf“fgfj□[fgfŠfbfW,a•t’@,μ,Ä,ç,Ü,·□B,±,ê,ç,íÆðŠ·,à,μ,-
,lfNfŠ□[fjf“fO,a•K-v,É,È,é,Ü,Å□(ŽžŽæ,è•t,-,½,Ü,Ü,É,μ,Ü,·□B

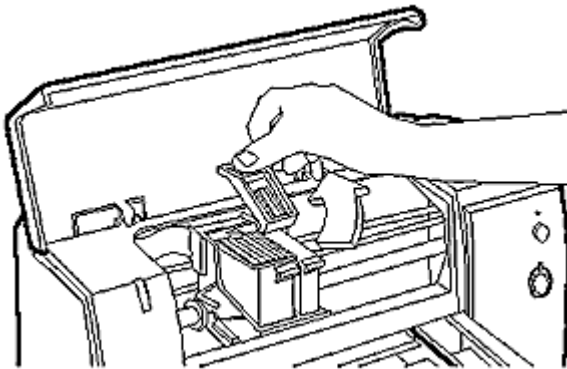
☐ **fvfŠf“fgfj□[fgfŠfbfW,iŽæ,èŠO,μ**

1 “dCE¹f{f^f” ¼ ,ð%Ÿ,μ,Ä“dCE¹,ðlf” ,É,μ,Ü,·□B

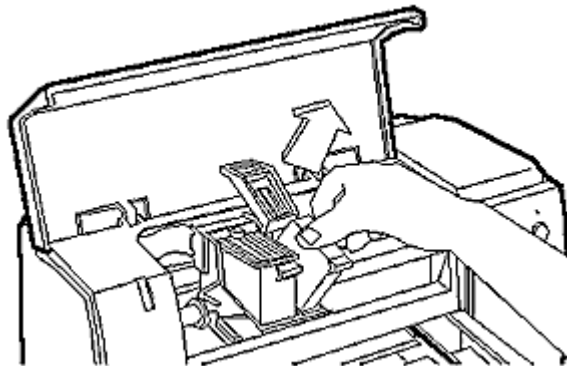
“dCE¹f%of“fv ¼ ,a“ _ “” ,μ,Ü,·□B

2 fvfŠf“f^ ,lfgfbfvfjfo□[,ðŠ), - ,Ü,·□B
fvfŠf“fgfj□[fgfŠfbfWfzf<f_ ,afvfŠf“f^ ,ì’+%Ÿ> ,Ö^Ú“ @ ,μ□AfŠfWf...
□[f€f%of“fv ¼ ,a“ -Ä,μ,Ü,·□B

3 fvfŠf“fgfj□[fgfŠfbfW,i—
-,ß<à,ð^ø,«□ä, °□AfvfŠf“fgfj□[fgfŠfbfW,i“a•” ,ð,Ä,©,ñ,Å□AŽè‘O
,É^ø,,ÆfvfŠf“fgfj□[fgfŠfbfW,a,ä,é,Y,Ü,·□B



4 fvfŠf“fgfj□[fgfŠfbfW,ðfzf<f_ ,© ,çŽæ,è□o,μ,Ü,·□B



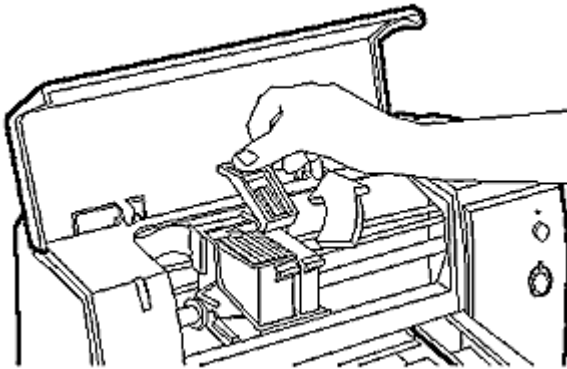
5 fvfŠf“fgfj□[fgfŠfbfW,a<ó,É,È,Á,Ä,ç,½,ç”pŠü,μ,Ü,·□B

☐ **fvfŠf“fgfj□[fgfŠfbfW,iŽæ,è•t,-**

1 “dCE¹f{f^f” ¼ ,ð%Ÿ,μ,Ä□AfvfŠf“f^ ,ì“dCE¹,ðlf” ,É,μ,Ü,·□B

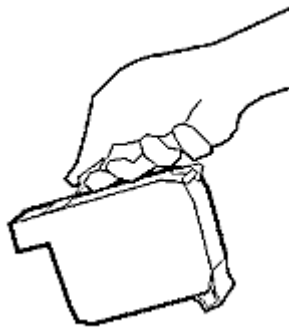
“dCE¹f%of“fv ¼ ,a“ _ “” ,μ,Ü,·□B

- 2 fvfŠf“f^,lfjfbfvfjfo□[,ðš],~,Ü,·□B
 fvfŠf“fgfj□[fgfŠfbfWfzf<f_,afvfŠf“f^,ì'+%>,É^Ú“@,μ□AfŠfWf...
 □[f€f%_“fv □,“ -Å,μ,Ü,·□B
- 3 fvfŠf“fgfj□[fgfŠfbfW—p—,β<à,ð,Q,Â,Æ,àšO,μ,Ü,·□B

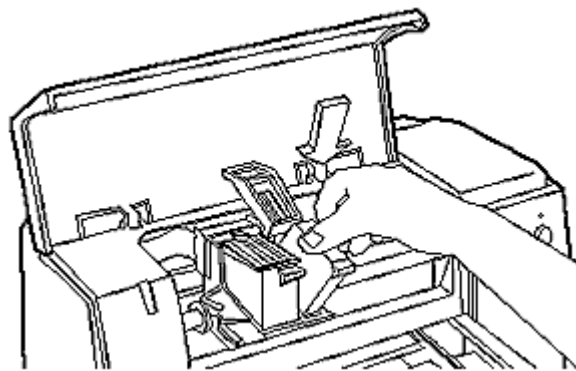


- 4 fvfŠf“fgfj□[fgfŠfbfW,ð•ì'•” ,©,çžæ,è□o,μ□AfCf“fNfmfYf<,ð•ç
 ,A,Ä,ç,éfe□[fv,ð□Å,©,É”□,μ,Ü,·□B

Note: fCf“fNfmfYf<,â<à'®,ì□Ú“_,É,í□G,è,È,ç,Å,,¾,¾,ç□B

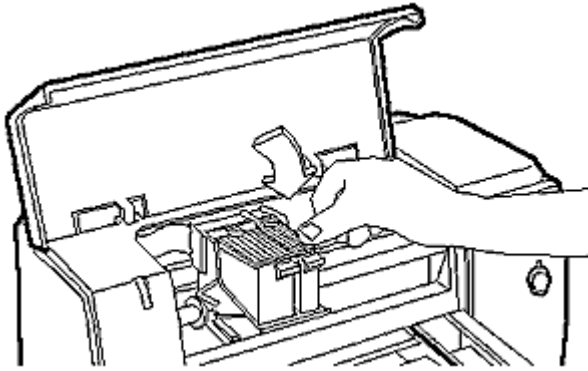


- 5 fvfŠf“fgfj□[fgfŠfbfW,ðfzf<f_,É%ÿ,μ□ž,Ý,Ü,·□B



- 6 fvfŠf“fgfj□[fgfŠfbfW,ì—
 ,β<à,ð,“,è,μ,Åfj□[fgfŠfbfW,ðCEÅ'è,μ,Ü,·□B

Note: fvfŠf“fgfj□[fgfŠfbfW,ì—,β<à,è,Q,Â,Æ,à□fbfN,¾,è,Ä,ç
 ,é,±,Æ,ðšm”F,μ,Ü,·□B



7 fvfŠf“f^,lfgfbfvfjfo[.ð•Â,¶,Û,·□B
 fvfŠf“fgfj□[fgfŠfbfWfzf<f_ª□ufz□[f€□vfj|fWfVf#f“,É-
 ß,è□AfŠfWf...□[f€f%of“fv □,ª□Á,¡,Û,·□B



fvfŠf“fgfj□[fgfŠfbfW.ì
Z²□±.í.¹

Note:

,Q,Â,lfvfŠf“fgfj□[fgfŠfbfW,ì,Ç,¿,ç,©,ªfCf“fN□Ø,é,É,È,Á,½□ê
 □#□A<ó,lfvfŠf“fgfj□[fgfŠfbfW,ðCEðŠ·,µ,Û,·□B□V,µ,çfvfŠf“fgf
 j□[fgfŠfbfW,ª,É,ç
 ,Æ,«,í□A<ó,lfvfŠf“fgfj□[fgfŠfbfW,ðŽæ,è•t,¯,½,Û,Û,É,µ,Ä,¯,
 ç,Ä,,¾,¾,¾,ç□B,±,ê,í,þ,«□o,µ,Æ,È,Á,Ä,ç,é“d<É,ì%~ ,ê,ð-
 hŽ~,·,é,½,ß,Å,·□B





-ÚŽŸ



-pŽt,ÆfvfŠf“fgfj[]fgrŠfbfW,ižg-p-@

fvfŠf“fgfj[]fgrŠfbfW,iNfŠ[]fjf“fO



^óü,μ,½fefLxf,âfOf%ftfBfbfNfX,ìü,âfhfbfg,a”2,~,Ä,ç
,½,çfvfŠf“fgfj[]fgrŠfbfW,iNfŠ[]fjf“fO,ð,“,±,É,Ä,Ä,-
,¾,¾,ç[]BfvfŠf“fgfj[]fgrŠfbfW,iNfŠ[]fjf“fO,í[]AWindows,iHP
DeskJetfXfe[]f^fXf,fjf^,Ü,½,ìfvfŠf“f^‘O-É,ìf{f^f“,ðŽg,Ä,Ä,“,±,É,æ,
,±,Æ,ä,Ä,«,Ü,·[]B

Note: fvfŠf“fgfj[]fgrŠfbfW,iNfŠ[]fjf“fO,í[]A•K-v,É,Æ,«,ì,Ý,“,±
,É,Ä,Ä,,¾,¾,ç[]BfvfŠf“fgfj[]fgrŠfbfW,ižŽ{,í[]Afcf“fN,ð[]Á-
Ö,·,é,ì,ÄfvfŠf“fgfj[]fgrŠfbfW,ižö-½,ð[]k,ß,é,±
,Æ,É,É,è,Ü,·[]B



HP

DeskJetfXfe[]f^fXf,fjf^,©,çfvfŠf“fgfj[]fgrŠfbfW,ðNfŠ[]fjf“fO
,·,é•û-@[]B

- 1 HP DeskJetf[]f^fBfŠfefBfvf[]fOf%of€fOf<[]fV,iHP
DeskJetfXfe[]f^fXf,fjf^fAfCfRf“,ðf_fuf<fNfŠfbfN,μ,Ü,·[]B
HP DeskJetfXfe[]f^fXf,fjf^,ä•žì,¾,è,Ü,·[]B
- 2 f[]f“fefif“fXf[]fj...
[]l,©,çfvfŠf“fgfj[]fgrŠfbfW,iNfŠ[]fjf“fO,ð‘l‘ð,μ,Ü,·[]B
- 3 •žì,¾,è,½f_fCfAf[]fOf{fbfNfX,Ä•\-
ÉfNfŠ[]fjf“fO,ðfNfŠfbfN,μ,Ü,·[]B
,Pfy[]fW,ì^óü,ä[]s,í,è[]AfNfŠ[]fjf“fO,ä[]³[]í,É[]s,í,è,½,±
,Æ,ðŽì,μ,Ü,·[]B%æ-É,ižwŽì,É[]],Ä,ÄfNfŠ[]fjf“fO,ð[]l-
1,¾,¾,Ü,·[]B



HP

DeskJetfXfe[]f^fXf,fjf^,
^,É,Ä,ç,Ä



fvfŠf“f^,ìf{f^f“,ðŽg,Ä,ÄfvfŠf“fgfj[]fgrŠfbfW,iNfŠ[]fjf“fO,ð
,“,±,É,æ•û-@[]B

- 1 fvfŠf“f^,ì“dCE¹,äfif“,ìó‘Ö,É,Ä[]A“dCE¹f{f^f“ ,ð%ÿ,μ‘±
,~,Ü,·[]B
- 2 “dCE¹f{f^f“ ,ð%ÿ,μ,È,ä,ç[]AfŠfWf...[]f€f{f^f“ ,ð,V
%ñ%ÿ,μ,Ü,·[]B
- 3 “dCE¹f{f^f“ ,ð•ú,μ,Ü,·[]B





-ÚŽŸ



^óü,É-â'è,ª, ,é,Æ,«

«”\,ìŠm”F



^È%º,ìf“fefj“fX,ðŽÀŽ{,·,é,±
,Æ,É,æ,èAfvfŠf“f^,ìó‘Ö,ðŠm”F,µ,½,èAfpftfH[f]f“fX,ð
%oñ•œ,³,¹,½,è,·,é,±,Æ,ª,Ä,«,Û,·B

fvfŠf“f^,ìfZf<ftfefXfg

@fvfŠf“f^,ìfZf<ftfefXfg,ðs,çAfvfŠf“f^,ª³,µ,<@”\,µ,Ä,ç,é,©,Ç,æ
,©AfP[fuf<,ìU'±,ª³,µ,,Ä,«,Ä,ç,é,©,Ç,æ,©,ð`fFfbfN,µ,Û,·B

fvfŠf“fgfj[fgfŠfbfW,ìfNfŠ[fjf“fO

@^óü•iŽ;,ì'á%º,ª-U—
š,Ä,½,èAfwf<fvf[fbfZ[fW,ÄfNfŠ[fjf“fO,ìŽwŽ!,ª, ,Ä,½,è,µ,½,Æ,«,Í
AfvfŠf“fgfj[fgfŠfbfW,ìfNfŠ[fjf“fO,ðŽÀŽ{,µ,Ä,,¾,³,çB

fvfŠf“fgfj[fgfŠfbfW,ìŽ²[†,í,¹

@,ç
,,é,©,ìfvfŠf“fgfj[fgfŠfbfW,ðEðŠ·,µ,½,èAfZfbfg,µ¼,µ,½,è,µ,½,
Æ,«A, ,é,ç,ìfwf<fvf[fbfZ[fW,ÄŽ²[†,í,¹,ìŽwŽ!,ª, ,Ä,½,Æ,«,ÍAfvfŠf“
fgfj[fgfŠfbfW,ìŽ²[†,í,¹,ð,¨,±,È,Ä,Ä,,¾,³,çB





-ÚŽŸ



^óü,É-â`è,â, ,é,Æ,«

fvfŠf“f^,ìf{f^f“,Æf%of“fv,ìŠm”F



fvfŠf“f^,ìf{f^f“,Æf
 %of“fv,ìfvfŠf“f^,ÉŠÖ,.,éî•ñ,ð“` ,!,Ü,·BfvfŠf“f^,â^óü,Ä,«,éó’Ô,É,
 È,é,Æ“dCE1f%of“fv ,â“ “” ,μfŠfWf...[f€f%of“fv
 ,íÁ,!,Ü,·B,o,b,âff[f^,ðfvfŠf“f^,Ö’—,Ä,Ä,ç
 ,é,Æ,«A,“,æ,ÑfvfŠf“f^,â^óü,μ,Ä,ç,é,Æ,«A“dCE1f%of“fv ,â“ _-
 Ä,μAfŠfWf...[f€f%of“fv ,íÁ,!,Ä,ç,Ü,·BfvfŠf“f^,â
 %o½,ç,©,ì€[,ð•K—v,Æ,μ,Ä,ç,é,Æ,«A, ,é,ç,ìfvfŠf“f^,ÉfGf%o[,â”-
 ¶,μ,½,Æ,«,íAfŠfWf...[f€f%of“fv ,â“ _-Ä, ,é,©—¼•û,ìf
 %of“fv,âCEðCEŸ,É” _-Ä,μ,Ü,·B
 —pŽt,âfvfŠf“f^,ÉfZfbfg,³,è,Ä,ç
 ,Ä,âfvfŠf“f^,â^óü,μ,È,çê†,íAfvfŠf“f^,ì“dCE1f%of“fv
 ,ÆfŠfWf...[f€f%of“fv ,ìó’Ô,ðCE©,Ä,,¾,¾,çB,à,μ“dCE1f%of“fv
 ,âÁ,!,Ä,ç,é,È,ç,íA“dCE1fXfCfbf` ,ð
 %oŸ,μ,ÄfvfŠf“f^,ðfj“ ,É,μ,Ä,,¾,¾,çB
 ,»,é,Ä,â^óü,Ä,«,È, ,é,íAfvfŠf“f^,ìft[fU[fYf}fjf...fAf<,ìfgf
 %ofuf<fvf...[fg,ì€,ð,“Ç,Ÿ,,¾,¾,çB,ç,è,ç,è,ÉfGf
 %o[,ìó’Ô,âLq,³,è,Ä,ç,Ü,·B



fvfŠf“f^,ìf{f^f“,Æf
%of“fv





-ÚŽŸ



^óü,É-â'è,â, ,é,Æ,«

HP, ìfTf|□[fg, ð“³/₄, é, É, Í



, à, µfvfŠf“f^, ðŽg, Á, Ä, ç, é, Æ, «, É-â'è, ^a<N, ±
 , Á, ¹/₂, É, ç, Í□AfvfŠf“f^, ìft□[fU□[fYf}fjf...
 fAf<, ìfgf%ofuf<fvf...□[fg, ì€²—, -
 , ³/₄, ³, ç□B, »^a, é, Ä, à-â'è, ^a
 %oðCE^, Á, «, É, ç□é□#□AHP, Í“d~bfTf|
 □[fg, ð, í, ¶, ß, Æ, µ, Ä□AŠeŽí, ìfTf|
 □[fgfT□[frfX, ð'ñ<Ÿ, µ, Ä, , è, Û, ·□B

fT□[frfX, ì“à—e, É, Ä, ç
 , Á, ìfvfŠf“f^, ìft□[fU□[fYf}fjf...fAf<, ð²—, -
 , ³/₄, ³, ç□B



fvfŠf“f^—pŽt□Ø,ê

fvfŠf“f^,ì—pŽt,^a,È,,È,è,Ü,μ,½□B—pŽt,ì<ÿ<<•û-@,í□AfvfŠf“f^,ìfgfbfvjffo□[,ì“à‘α,ìf%ofxf<,ð,²—
,È,È,Á,Ä,ç,½,¾,,©,Ü,½,í□AfvfŠf“f^•t’®,ìft□[fU□[fyfKfCfh,ð,²—,,¾,³,ç□B

—pŽt,ðfvfŠf“f^,ÉfZfbfg,μ,½,ç□AfvfŠf“f^,ìfÇfWf...□[f€f{f^f“,ð%oÿ,μ,Ä,,¾,³,ç□B^óü,ð’±,¯,é,±
,Æ,^a,Å,«,Ü,·□B

Žt<l,Ü,è

fvfŠf“f^,ì—pŽt<l,Ü,è,ª”□¶,μ,Ü,μ,½□B^È%º,ìŽè□‡,É,μ,½,ª,Á,Ä<l,Ü,Á,½—pŽt,ðŽæ,è□œ,‡,Ä,-
,¾,³,‡□B

1. fgfbfvfjfo□[,ðŠ],¯,Ü,·□B
2. fvfŠf“f^,ìfœfwf...□[f€f{f^f“,ð%ÿ,μ,½,Ü,Ü,É,μ,Ü,·□B—pŽt,ª^è•ùœü,É’—,‡,è,Ü,·□B
3. fvfŠf“f^,ìfœfwf...□[f€f{f^f“,ð•ú,μ,Ä,©,‡□Ä,Ñ□A“¯f{f^f“,ð%ÿ,μ,½,Ü,Ü,É,μ,Ü,·□B—
pŽt,ª□æ,Ü,‡,Æ,í”½’í•ùœü,É’—,‡,è,Ü,·□B—
pŽt,ªŽæ,è□œ,¯,é,Ü,Á^È□ä,ì’€□ì,ðœJ,è•Ô,μ,Ü,·□B
4. •K—v,É%ž,¶,ÄfgfœfC,ðŽæ,èŠO,μ,Ü,·□B^ø,Á,©,©,Á,Ä,‡,é—pŽt,ðŽæ,è□œ,«□A—
pŽt,ð,»„è,¡,Á,©,‡□Ä,ÑfvfŠf“f^,ÉfZfbfg,μ,Ü,·□B
5. fgfbfvfjfo□[,ð•Ä,¶,Ü,·□B
6. fvfŠf“f^,ì“dœ¹,ð^è’Uflft,É,μ,Ä□Ä,Ñflf“,É,μ,Ü,·□B

fvfŠf“f^f|[]fg,ì•s<i[]‡

fvfŠf“f^f|[]fg,ìfAfNfZfX,É-â‘è,à, ,è,Ü,·[]B%øðCE^,ì,½,ß%ø<L,ì,±,Æ,ðŽŽ,μ,Ä,,¾,³,ç[]B

- ‘¼,ìfAfvfŠfP[]fVf‡f“ ,a“^è,ìfvfŠf“f^f|[]fg,ðfAfNfZfX,μ,Ä,ç,é,©,à,μ,è,Ü,¹,ñ[]B**Lfff“fZf<**,ðfNfŠfbfN,μA¹¼,ìfAfvfŠfP[]fVf‡f“ ,©,ç,ì^óü,²Š®—¹,·,é,ì,ð’Ò,ç,Ü,·[]B
- ,à,μfe[]fVfjfbfNfAfbfvftfjfbfg,ì,æ,π,È¹¼,ìffofCfX,ð“^è,ìf|[]fg,É[]Ú’±,μ,Ä,ç,é[]ê[]#[]A,±,ìffofCfX,²f|[]fg,ðŽg—p,μ,Ä,ç,é,©,à,μ,è,Ü,¹,ñ[]B**Lfff“fZf<**,ðfNfŠfbfN,μA¹¼,ìffofCfX,ìf|[]fgŽg—pŠ®—¹,ð’Ò,ç,Ü,·[]B
- CE»ÝfvfŠf“f^,ð[]Ú’±,μ,Ä,ç,éf|[]fg,í[]AWindows,ìfRf“fgf[]f<fpf|f<,Å’I’ð,³,è,½,à,ì,Å, ,é,©,Ç,π,©,ðŠm”F,μ,Ä,,¾,³,ç[]B
- CE»[]ÝŠJ,ç,Ä,ç,é,·,×,Ä,ìfAfvfŠfP[]fVf‡f“ ,ð[]!—¹,μWindows,ðfŠfXf^[]fg,μ,Ü,·[]B
- PC,ì“dCE¹,ð,ç,Á,½,ñf|ft,É,μ,Ä[]A[]Ä,Ñf|f“ ,É,μ,Ü,·[]B

,à,μ,ü<L,ìŽè[]‡,ð,“ ,±,È,Á,Ä,à-â‘è,²%øðCE^,μ,È,ç[]ê[]‡,É,í[]ACEì[]á,ì%øÄ“\[]«,², ,è,Ü,·[]B[]C—[],ì•ù-@,É,Ä,ç,Ä,í[]Aft[]fU[]fYfKfCfh,ð,²—,¾,³,ç[]B

'o•ûĈü'ÊMáŠQ

,o,b,íAfvfŠf“f^,Æ,ìŠŎ,Ā'o•ûĈü'ÊM,đŠm—
š,Ā,«,Û,¹,ñBfvfŠf“f^,í,o,b,Æ,ìŠŎ,Ā'o•ûĈü'ÊM,É,æ,èŠeŽí,ìî•ñĈđŠ,đ,μ,Û,·B
%o²<L,ìó<μ,², ,é,©,Ç,π,©,đŠm”F,μ,Ā,,¾,³,çB

- fvfŠf“f^,ì“dĈ¹,²fift,Ā, ,éB.
fvfŠf“f^,ì“dĈ¹,đ“ü,ê,Ā,,¾,³,çB
- fR“fgf□□lf<fpflf<,lfvfŠf“f^,ìŸ'èf_fCfAf□Of{fbfNfX,É, ,é□,‘¬,É^óü,²f`fFbfN,³,é,Ā,ç,È,çB
,±,ê,đ%đĈ^, ,é,½,ß,É,íA,Ā,¬,ì,æ,π,É,μ,Û,·B
 1. Windows,ìfRf“fgf□□lf<fpflf<fAfCfRf“,đf_fuf<fNfŠfN,μ,Û,·B
 2. fvfŠf“f^fAfCfRf“,đf_fuf<fNfŠfN,μ,Û,·B
 3. fvfŠf“f^,ìŸ'èf_fCfAf□Of{fbfNfX,É, ,é□Ū'±f{f^f“,đfNfŠfN,μ,Û,·B
 4. □,‘¬,É^óü,đf`fFbfN,μ,Û,·B

• fvfŠf“f^fP□[fuf<,ÉáŠQ,², ,é,©,à,μ,ê,Û,¹,ñB
¾,ìfP□[fuf<,ÉĈđŠ,μ,Ā,Ÿ,Ā,,¾,³,çB

• ,à,μ•j“,ìfvfŠf“f^,đŽg—p, ,é,½,ßfXfCfbf`f{fbfNfX□i□Ø'ÖŠí□,đŽg—p,μ,Ā,ç,ê,íA,»,ìfXfCfbf`f{fbfNfX,íA'o•ûĈü'ÊM,đfTf□[fg,μ,Ā,ç,É,ç,©□A,Û,½,ì¾,ìfffofCfX,²fXfe□[f^fXf%ofCf“,đŽg—p,μ,Ā,ç,é,©,à,μ,ê,Û,¹,ñB
,±,ìê□±,ìfvfŠf“f^,đ,o,b,É¾□Ú□Ū'±,μ,Ā,Ÿ,Ā,,¾,³,çB
,à,μfXfCfbf`f{fbfNfX,đŽg—p,μ,È,¬,ê,î,ç,¬,ì,ç□ê□±,É,íAC:WINDOWS\SYSTEM
fffBfĈfNfgfŠ,É, ,é HPWJCFG.EXE fvf□fOf%of€,đŽĀ□s,μ,Ā,-
,¾,³,çB'o•ûĈü'ÊMf`fFbfNf{fbfNfX,ìf`fFbfN,đ,í,,μ□AOK,đfNfŠfN,μ,Û,·B,±
,ê,É,æ,è,o,b,ÆfvfŠf“f^,Æ,ì'o•ûĈü'ÊM,ì<@“\,μ,Û,¹,ñB,±,ìê□±fvfŠf“f^,ì^ê•”,ì<@“\
,ì“@□ì,μ,Û,¹,ñ,²□A^óü,í,Ā,«,Û,·B

• ,Žg,ç,ì,o,b,²'o•ûĈü'ÊM,đfTf□[fg,μ,Ā,ç,É,ç,©,à,μ,ê,Û,¹,ñB
C:WINDOWS\SYSTEM fffBfĈfNfgfŠ,É, ,é **HPWJCFG.EXE** fvf□fOf%of€,đŽĀ□s,μ,Ā,-
,¾,³,çB'o•ûĈü'ÊMf`fFbfNf{fbfNfX,ìf`fFbfN,đ,í,,μ□AOK,đfNfŠfN,μ,Û,·B,±
,ê,É,æ,è,o,b,ÆfvfŠf“f^,Æ,ì'o•ûĈü'ÊM,ì<@“\,μ,Û,¹,ñB,±,ìê□±fvfŠf“f^,ì^ê•”,ì<@“\
,ì“@□ì,μ,Û,¹,ñ,²□A^óü,í,Ā,«,Û,·B

fvfŠf“f^ -3%ož“š

fvfŠf“f^ , © , ç , ì % o ž “ š , à , è , Û , 1 , ñ □ B ^ È % o o , Ì Ž è □ † , ð Ž Ž , μ , Ä , , 3/4 , 3 , ç □ B

- fvfŠf“f^ , ì “ dCE¹ , à “ ü , Á , Ä , ç , é , ± , Æ , ð Š m “ F , μ , Ä , , 3/4 , 3 , ç □ B
- , à , μ fvfŠf“f^ , à f l f t f % o f C f “ , Á , , é , È , ç □ A f v f Š f “ f ^ , ì “ dCE¹ f { f ^ f “ , ð % o Ÿ , μ , Ä f l f “ f % o f C f “ , É , μ , Ä , - , 3/4 , 3 , ç □ B
- Ž † < l , Û , è , ì — L - ³ , ð Š m “ F , μ , Ä , , 3/4 , 3 , ç □ B , à , μ Ž † < l , Û , è , à , , è , Ì f t □ [f U □ [f y f K f C f h , Ì Ž è □ † , É , μ , 1/2 , à , Á , Ä □ A < l , Û , Á , 1/2 — p Ž † , ð Ž æ , è □ œ , ç , Á , , 3/4 , 3 , ç □ B
- f g f b f v f j f o □ [, à • Á , Û , Á , Ä , ç , é , ± , Æ , ð Š m “ F , μ , Ä , , 3/4 , 3 , ç □ B
- fvfŠf“f^ f P □ [f u f < , à □ Ú ‘ ± , ³ , è , Á , ç , È , ç , © □ A f P □ [f u f < , à • s — Ç , © , à , μ , è , Û , 1 , ñ □ B f v f Š f “ f ^ f P □ [f u f < , à , μ , Á , © , è , Æ □ Ú ‘ ± , ³ , è , Á , ç , é , © Š m “ F , μ , Ä , , 3/4 , 3 , ç □ B , à , μ , Û , 3/4 — à ‘ è , à % o ð CE ^ , Á , « , È , ç □ è □ † , í □ A ^ á , x f P □ [f u f < , Á Ž Ž , μ , Ä , , 3/4 , 3 , ç □ B

• s“K∅,É“dCE¹fift

‘O%ñ,lfvfšf“f^Žg—p|—¹Žž,ÉA•s“K∅,É“dCE¹,đflft,μ,Ü,μ,½B

•K, ,fvfšf“f^,ì“dCE¹{f^f“,đ%Ÿ,μ,Äflf“f%fcf“,É,μ,Ä,,¾,¾,çB

fvfšf“f^,á^óü’t,Ü,½,Ígfbfvfjfo[,áš],ç,Ä,ç,éó’Ô,ÅAfvfšf“f^,ì“dCE¹{f^f“,đflft,·,é,±,Æ,È,-
fvfšf“f^,ì“dCE¹,á∅,ê,Ü,μ,½B,±,ìê±fvfšf“fgf][fgfšfbfW,íA³<K,ífjWfVf†“,É-ß,é,±
,Æ,á,Ä,«,Ü,¹,ñB,±,ê,É,æ,èfvfšf“fgf][fgfšfbfW,ímfYf<,áš£‘†,μAfCf“fN<|,Ü,è,ìCE^ö,É,È,è,Ü,·B

,±,ê,đ”đ,¯,é,½,ß,ÉAfvfšf“f^,á^óü,đš®—¹,μ“®ì,đ’âž~,μ,Ä,©,çfvfšf“f^,ì“dCE¹,đ∅,é,æ,κ
,É,É,μ,Ü,·B

,à,μfvfšf“f^,ì^óü•ižž,á’á%º,μ,Ä,«,Ä,ç,é,æ,κ,Ä,μ,½,çAHP

DeskJetXfe[f^fXf,ffj^“à,íf“fefif“fX,É, ,éfvfšf“fgf][fgfšfbfW,ìNfš][ff“fo,đžÀž{,
μ,Ü,·B

fCf“fNŽc—Ê

fvfŠf“fgfj[]fgfŠfbfW,lfCf“fN,².ó,©Žc—Ê,²,È,,È.Á,Ä,ç
,Û,·B[]V,µ,çfvfŠf“fgfj[]fgfŠfbfW,ÉCEðŠ·,µ,Ä,,¾,³,ç[]B

fvfŠf“f^ f□f,fŠ•s‘«

fvfŠf“f^,lf□f,fŠ,•s‘«„μ,Ä,“,è□ACE»□Ý,ì•□□‘,đ^ó□ü,Á,«,Ü,¹,ñ□B^È%°°,ìŽè□#,É□],Á,Ä
%°°đCE^,μ,Ä,,¾,¾,¾,¾□B

1. •□□“à,ÁŽg—p,•,éftfHf“fg,ì□”,đCE,ç,μ,Ü,•□B□i‘½□”,lf_fEf“f□□[fhftfHf“fg,đŽg—
p,•,é,ÆfvfŠf“f^,lf□f,fŠ,đ□Á“i,μ,Ü,•□B□j
2. fvfŠf“f^,ì“dCE¹,đflf“flft,μ,Ü,•□B,±
,ê,É,æ,è,•,Á,ÉfvfŠf“f^,Éf_fEf“f□□[fh,μ,½ftfHf“fg,đ□Á<Ž,μ,Ü,•□B
3. **C:\WINDOWS\SYSTEM** fffBfCEfNfgfŠ,É, ,é **HPWJCFG.EXE** fvf□fOf%of€
,đŽÀ□s,μ,Ü,•□BTrueTypeftfHf“fg,lf_fEf“f□□[fhf`fFfbfNf{fbfNfX,lf`fFfbfN,đ,í,•,μOK,đ
fNfŠfbfN,μ,Ü,•□B

<@ŠB“lfGf%oo□□

Žt<l,Ü,è,©'¼,ìáŠQ•,²fvfŠf“fgj□[fgfŠfbfW,ì%oÂ“@“í^í,É,è,Ü,·□Bfgfbfvfjfo□[,ðŠj,¬áŠQ•,ì—
L-³,ðŠm”F,μ,Ü,·□B□áŠQ•,²,è,íŽæ,è□œ,«,Ü,·□BfvfŠf“f^,ì“dCE¹,ðfift,É,μ□Ä“xfif“,É,μ,Ü,·□B

,à,μŽt<l,Ü,è,²,è,î□A^È%oº,ìŽè□†,É,μ,½,²,Á,ÄŽæ,è□œ,†,Ä,,¾,¾,†□B

1. fgfbfvfjfo□[,ðŠj,¬,Ü,·□B
2. fvfŠf“f^,ìfCEfWf...□[f€f{f^f“,ð%öÿ,μ,½,Ü,Ü,É,μ,Ü,·□B—pŽt,²è•ûCEü,É'—,ç,è,Ü,·□B
3. fvfŠf“f^,ìfCEfWf...□[f€f{f^f“,ð•ú,μ,Ä,©,ç□Ä,Ñ“¬f{f^f“,ð%öÿ,μ,½,Ü,Ü,É,μ,Ü,·□B—
pŽt,²□æ,Ü,Ç,Æ,í”½'í•ûCEü,É'—,ç,è,Ü,·□B—
pŽt,²Žæ,è□œ,¬,é,Ü,Ä^È□ä,ì'€□ì,ðCEj,è•Ö,μ,Ü,·□B
4. ^ø,Á,©,©,Á,Ä,†,é—pŽt,ðŽæ,è□œ,«□A—pŽt,ð,»,è,ì,Ä,©,ç□Ä,ÑfvfŠf“f^,ÉfZfbfg,μ,Ü,·□B
5. fgfbfvfjfo□[,ð•Á,¶,Ü,·□B
6. fvfŠf“f^,ì“dCE¹,ð^è'Ufift,É,μ,Ä□Ä,Ñfif“,É,μ,Ü,·□B

fffBfXfNfXfy[]fX•s'«

fvfŠf“f^fhf%oofCfo,íA^óü,μ,æ,π
,Æ,·,é•¶[]ftf@fCf<,ð^èŽž“l,Éfn[]fhfffBfXfN,É•Û'¶,μ,Û,·B^èŽž“l,È•Û'¶[]ê[]Š,Æ,μ,Ä,íA'Êí c:\
tmp,Ü,½,l c:\temp,É•Û'¶,³,è,Û,·iNEC PC98,ì[]ê[]‡,í'É[]í'Û,È,Á,½fhf%oofCfu,É,È,è,Û,·[]j[]B,±
,è,ç,ìfffBfCfNfgfŠ,É, ,éftf@fCf<,ð[]í[]œ,μ,Ä,,¾,³,ç[]B

,à,μ^óü•”[]”,Ü,½,í^óü[]‡[]~flfvfVf‡f“,ðŽg—p,μ,Ä,ç,é[]ê[]‡,É,í[]A,æ,è'½,,ìfffBfXfNfXfy[]fX,ðŽg
—p,μ,Û,·B^óü•”[]”,ð^è•”,Æ,·,é,©[]A,Û,½,í^óü[]‡[]~flfvfVf‡f“,ìf`fFfbfN,ð,í,,μ,Ä,,¾,³,ç[]B

'¾,ì%oðCE^•û-@,Æ,μ,Ä[]AfvfŠf“fgf}f[]fWff,ðflft,É,·,é,Æ,ç,π•û-@,à, ,è,Û,·[]B
ROBOHELPROBOHELP

fXfv [f<fGf%o [

^óü,μ,æ,π,Æ,·,é•¶'ftf@fCf<,ðfXfv [fŠf“fO,Å,«,Ü,¹,ñB
fvfŠf“fgf}f [fWff,ðfift,É,μ,ÄAÄ“x^óü,ð,μ,Ä,,³/₄,³,çB

fvfŠf“fgf}f [fWff,ðfift,É,·,é,É,íA%º<L,ìžè±,É,μ,¹/₂,^a,Á,Ä,,³/₄,³,çB

- 1. fRf“fgf [f<fpflf<**,É,·,é**fvfŠf“f^fAfCfRf“**,ðf_fuf<fNfŠfbfN,μ,Ü,·B
- 2. fvfŠf“fgf}f [fWff,ðžg**,πf`fFfbfNf{fbfNfX,lf`fFfbfN,ð,í,,·B
- 3. [l—¹**,ðfNfŠfbfN,μ,Ü,·B
- 4. [Ä“xfvfŠf“fg**,μ,Ü,·B

,±,è,É,æ,èA^óü,·,é•¶'ftf@fCf<,ðfvfŠf“fgf}f [fWff,É'—,é,±,Æ,È,-
^óü,ðŠžn,μ,Ü,·B,±,íè±^óü,^aŠ@—¹,·,é,Ü,ÄAfvfŠfP [fVf}f“f\ftgfEfFfA,É,í-
β,é,±,Æ,^a,Ä,«,Ü,¹,ñB

HPfXfv [f%o,É,Â,ç,Ä

HPfXfv [f%o,Æ,Í H
HPfXfv [f%o fEfCf“fhfE
fXfv [f< fffBfCfNfgfŠ,ì•í X
^óüftf@fCf<,l ííœ

HPfXfv [f%o,Æ,í H

HPfXfv [f%o,Æ,í A^óü,μ,æ,π,Æ,·,é•¶',ðŠÇ—,·,éŠÇ—fA
ftfgfEjFfA,Å,·B^óü,·,é•¶',ð^êŽž“l,Èftf@fCf<,É•Û'¶,μA•Ê,ìi<Æ,ð,μ,Ä,ç
,éSÖ,ÉA,»,)ftf@fCf<,ðfvfŠf“f^,Ö'—,è,Û,·B
HPfXfv [f%o,íAWindows,lfvfŠf“fgf}f [fWff,É'u,«Š,í,è,Û,·B

HPfXfv□[f%ofEfCf“fhfE

HPfXfv□[f%ofEfBf“fhfE,í□AfVfXfef€,É□V,μ,fCf“fXfg□[f<,³,ê,½fvfŠf“f^,lfŠfXfg,ð•\
Ž!,μ,Û,·□BŠefvfŠf“f^-¼,ì%°º,É^ó□ü't, ,é,ç,í'Ò<@'t,ì•¶□',lfŠfXfg,ª•\Ž!,³,ê,Û,·□B•¶□'f□ffj...
□['t,ì^ó□üfLfff“fZf<,ðŽg,!,î□A•\Ž!,³,ê,½,Ç,lfvfŠf“f^,ì^ó□ü,àfLfff“fZf<,.é,±,Æ,ª,Å,«,Û,·□B

fEfBf“fhfE,ì•□,ð•î□X,·,é□B

HPfXfv□[f%ofEfBf“fhfE,ì•□,ð•î□X,·,é,É,í□Af}fEfX,ðŽg,Á,Äf□ffj...□[fo□[,ì%°º,ìfo□[,ìfff
%of€f{□[f_□[,ðfhf%ofbfO,μ,Û,·□B

fXfv[]f< fffBfCEfNfgfŠ,ì•ï[]X

HPfXfv[]f%o,ìfXfv[]f< fffBfCEfNfgfŠ,É□A^êŽž“l,É^ó□üftf@fCf<,đ□ì□¬,μ,Û,·□B,à,μHPfXfv[]f%o, ãffBfXfN,ìfXfy[]fX,đŽg,ç□Ø,é,æ,α,É,Æ,«,É,í□A,±,ìfìfvfVf#f“,đŽg,Á,ĀfXfv[]f<—p,É•É,ìfhf %ofCfu,ÆffBfCEfNfgfŠ,đ'ì'đ,μ,Û,·□B

1. HPfXfv[]f%ofEfBf“fhfE,đŠj,,É,í□A%oæ-Ê,ì%oº,ìfXfv[]f %ofAfCfRf“,đf_fuf<fNfŠfbfN,μ,Û,·□B,à,μfXfv[]f%ofAfCfRf“,ªCE©,Â,©,ç,È,¬,ê,î□Afvf□Of %of€f}fì□fWff,Û,½,ìftf@fCf<f}fì□fWff,©,çWindowsffBfCEfNfgfŠ,É, ,éHPWJSPR.EXEftf@fCf<, đŽÁ□s,μ,Û,·□B
2. f□fjf...□f□□l,©,çfìfvfVf#f“,đ'ì'đ,μ,Û,·□B
3. f□fjf...□l,©,çfìfvfVf#f“•ï[]X,đ'ì'đ,μ,Û,·□B
4. •\Žl,³,é,½f_CfAf□Of{fbfNfX,ĀfXfv[]f< fffBfCEfNfgfŠ,đ'ì'đ,μ,Û,·□B
5. OK,đfNfŠfbfN,μ,Ā'ì'đ,μ,½“à—e,đ•Û'¶,μ,Û,·□B

•É,ìfXfv[]f< fffBfCEfNfgfŠ,đŽw'è,·,é,Æ□AŽŸ,É•¶□',đ^ó□ü,·,é,Æ,«,É□%o,ß,Ā—LCEø,É,È,è,Û,·□B

^óüftf@fCf<,lííœ

HPfXfv[f%ofEjBf“fhfE,É•Žl,³,ê,Ä,ç,éfvfŠf“f^,ì^óü,ðfLfff“fZf<,.é,É,Í•¶f“f“fj...
[.,©,ç^óü,lfLfff“fZf<,ð'ì'ð,μ,Û,·B

fAfCfhf<A^óü't, ,é,ç,í^êŽž'âŽ~,l'ó'Ô,É, ,é•¶f“f“fj,í,ç,Ä,Ä,àííœ,Ä,«,Û,·B
fvfŠf“f^,Ö'—,ç,ê,½,·,×,Ä,ì•¶f“f“fj,ðííœ,·,é,É,íAHPfXfv[f%ofEjBf“fhfE,ð•Ä,¶,Ä,,¾,³,çB

