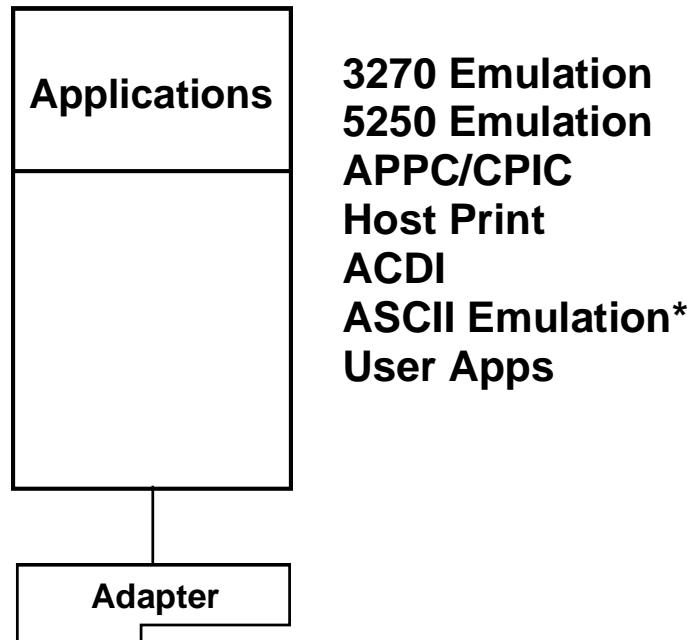


AGENDA

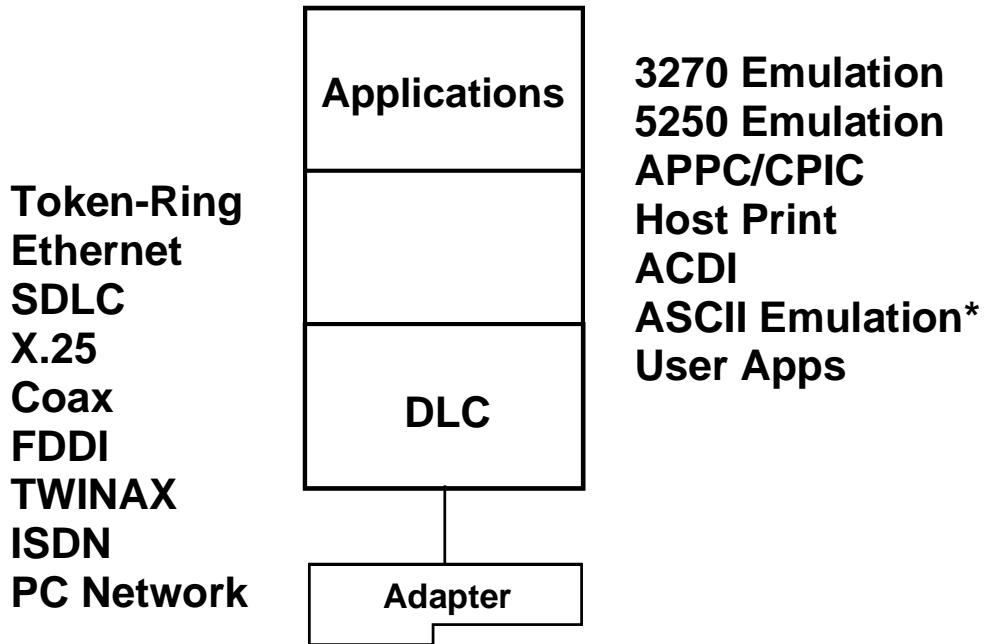
Communications Manager/2

- Overview of Enhancements
- Demonstration:
Configuration and Installation

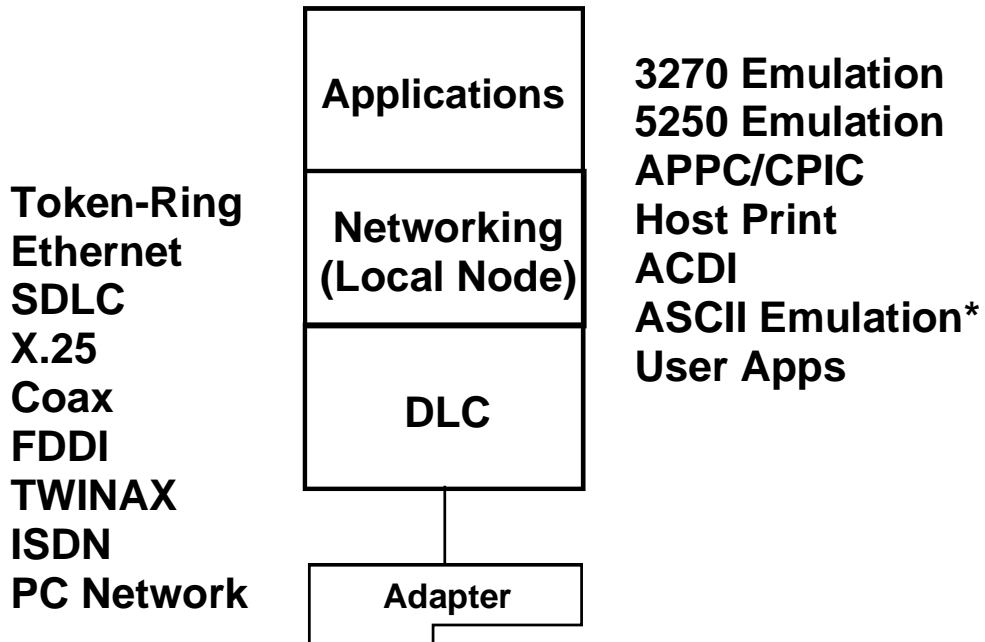
Communications Manager/2



Communications Manager/2



Communications Manager/2



Communications Manager/2

Overview of Enhancements

More information

- Programming Announcement Letter
January 26, 1993 # 293-033
- "Communications Manager/2 V1.0:
New Features" Redbook GG24-3958

Summary of Enhancements

- Separation of CM from DBM & LAPS
- 3270 & 5250 Emulation
- Installation and Configuration
- SNA Gateway
- Multiple PU 2.0 Support

cont...

Summary of Enhancements

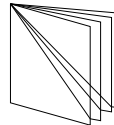
- Comm. Mgr. Client Server/2
- ISDN
- Problem Determination
- Management Services
- ASCII Emulation

cont...

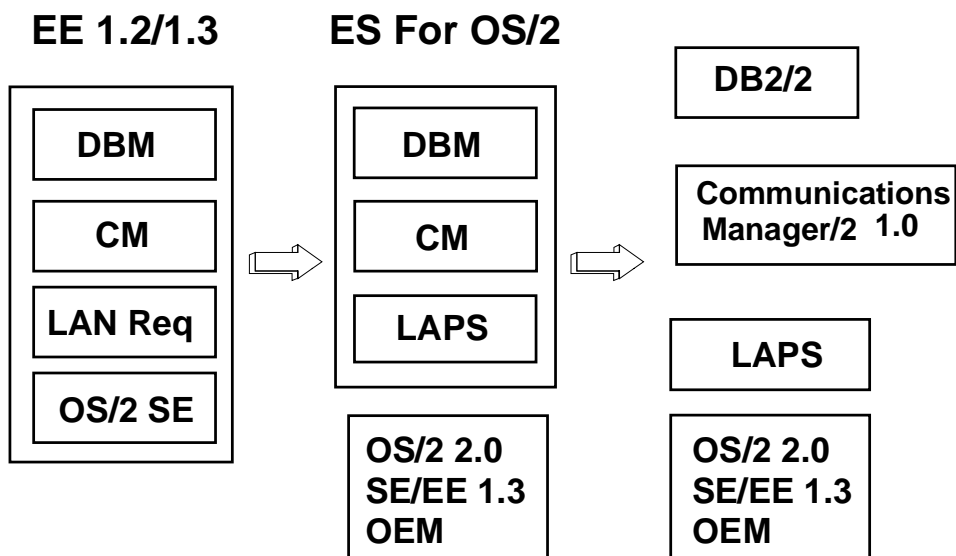
Summary of Enhancements

- Other...
 - API Enhancements*
 - New Commands and Utilities*
 - Sample Application Programs
 - Productivity Aids

* CH. 10 of GG24-3958



Separation of CM from DBM & LAPS



LAN Adapter and Protocol Support

- LAPS Required for LAN and ISDN
- Available from:
 - Extended Services for OS/2
 - LAN Requester of LAN Server 2.0
 - LAN Server 3.0
 - Networking Transport Services/2

3270 & 5250 Emulation

- Emulators Converged
- Use Common:
 - Base End-user Interface Code
 - Configuration Process

cont...

3270 & 5250 Emulation

- Keyboard and Color Remapping
 - Graphical
 - Dynamic
- 122 Keyboard Supported

cont...

3270 & 5250 Combined

- Maximum Terminal Sessions:
Total: 26 Configured, 16 Active

3270 - 26 Configured, 16 Active

5250 - 15 Configured, 15 Active

cont...

3270 Emulation

- Maximum:
 - Up to 26 Printer Sessions
 - 5 DFT Sessions
- File Transfer from System Menu
- Session Level Encryption

cont...

5250 Emulation

- Maximum:
 - Up to 15 Printer Sessions
- 3812 Printer Support

cont...

5250 Emulation

- Functions not Available:
 - Text Assist of AS/400 PC Support
(CM SOD)
 - Printer Function Tables
 - 5219, 5224, 5256 Printers

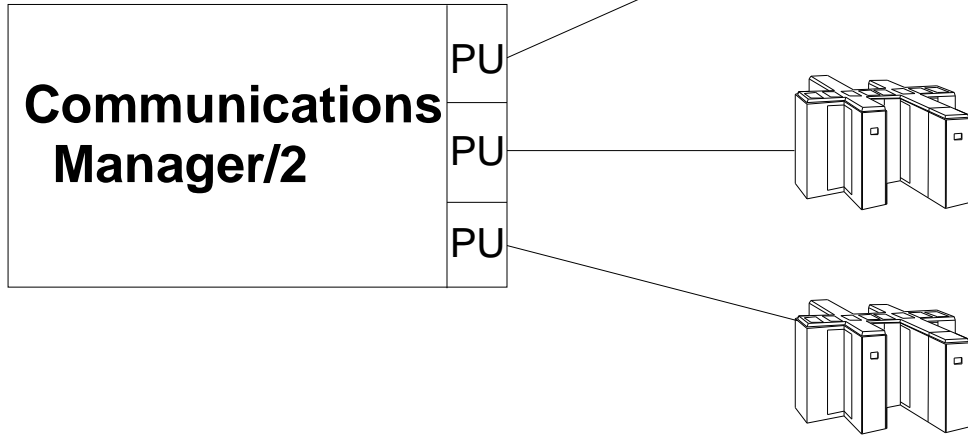
Multiple PU 2.0 Support

- 3 Concurrently Active Host Connections
- Dependent LU Sessions Only

cont...

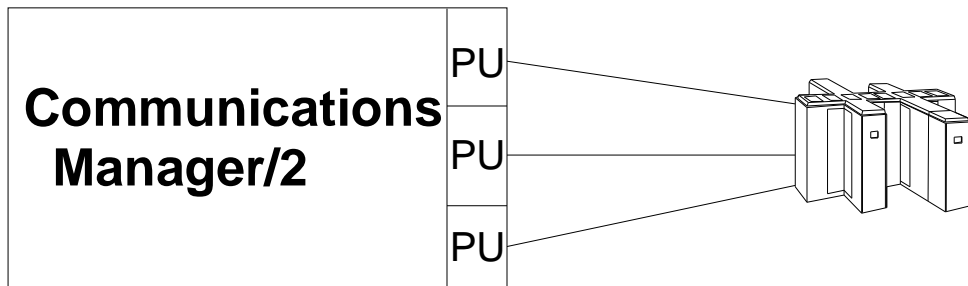
Multiple PU 2.0 Support

3 Separate Hosts or...



Multiple PU 2.0 Support

1 Host or...



SNA GATEWAY

- Implicit Workstation Support
 - Single Generic Definition

- Dynamically Add/Change Workstations
 - GW Does Not Need to be Shutdown

cont...

SNA GATEWAY

- MPU Supported
 - 254 Active Sessions Per PU
(Up to 762 Active Sessions Possible)

SNA GATEWAY

- Optional Auto-Logoff of Inactive Sessions
 - Sessions over Non-Limited Resource Links Are Not Logged Off Unless Requests Are Outstanding

Installation & Configuration

- PM Interface
- CID Enabled
- One Directory - CMLIB
- One Command - CMSETUP

cont...

Installation

- Installation On/Over:
 - OS/2 2.0+, ES, or
SE/EE 1.3 (at CSD 5050)
 - Configurations Automatically Upgraded
- Diskettes or Redirected
- CID Enabled

cont...

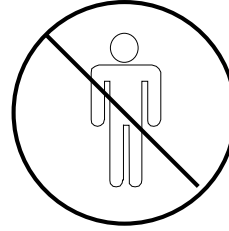
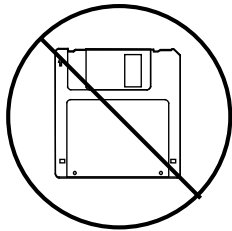
Configuration

- Three Methods:
 - "Defaults" Configuration
(1-5 Fields, "Quick")
 - "Advanced" Path (Guided)
 - "Configuration List" (All Profiles)

cont...

CID Enabled

- Configuration/Installation/Distribution
- Solves:
 - Too Many Diskettes
 - End User Config/Install Training



cont...

Comm. Mgr/2 CID

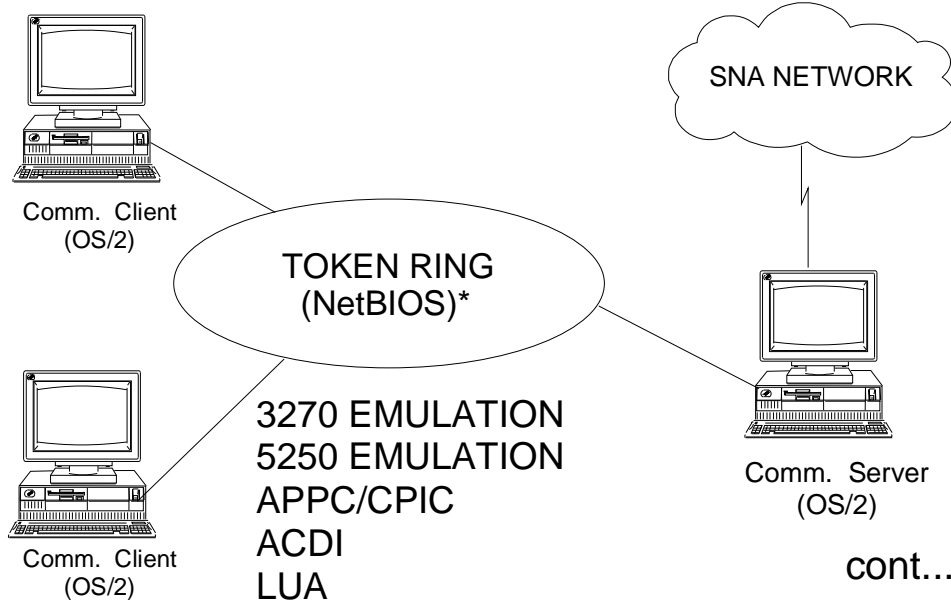
- "C" - Response Files
- "I" - Redirected Install
- "D" - Provided by
 - NTS/2
 - NetViewDM/2
 - NetView

Comm. Mgr. Client Server/2

- Separate Product
 - Comm. Mgr. Client Server/2 1.0
 - Availability: May 28, 1993
- Comm. Clients on OS/2 and Token-Ring
 - SODs for DOS, Windows Clients, Ethernet, and PC Network

cont...

Comm. Mgr. Client Server/2

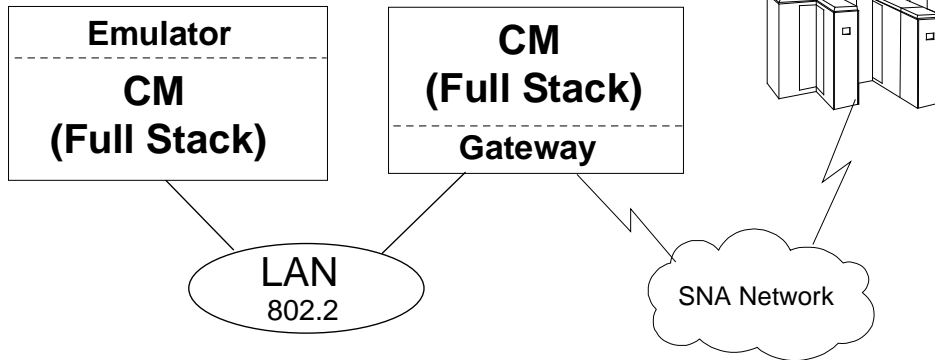


Client Server vs Gateway

Downstream Workstation

Gateway

Host

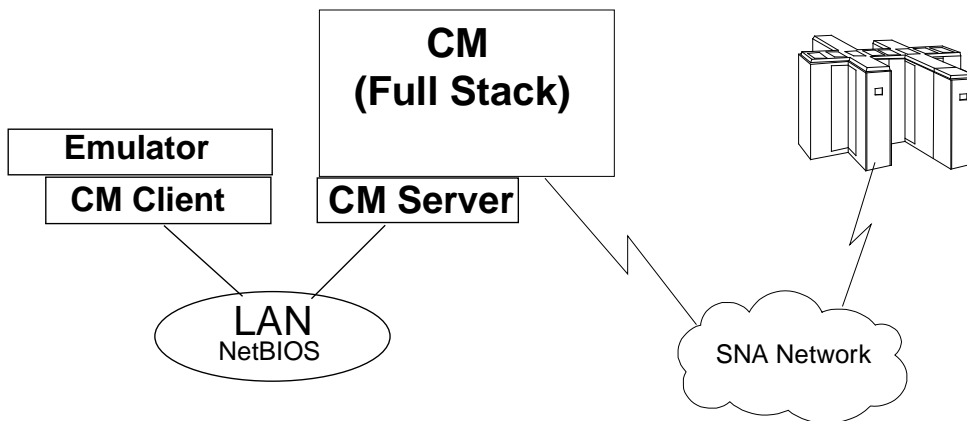


Client Server vs Gateway

Client

Server

Host



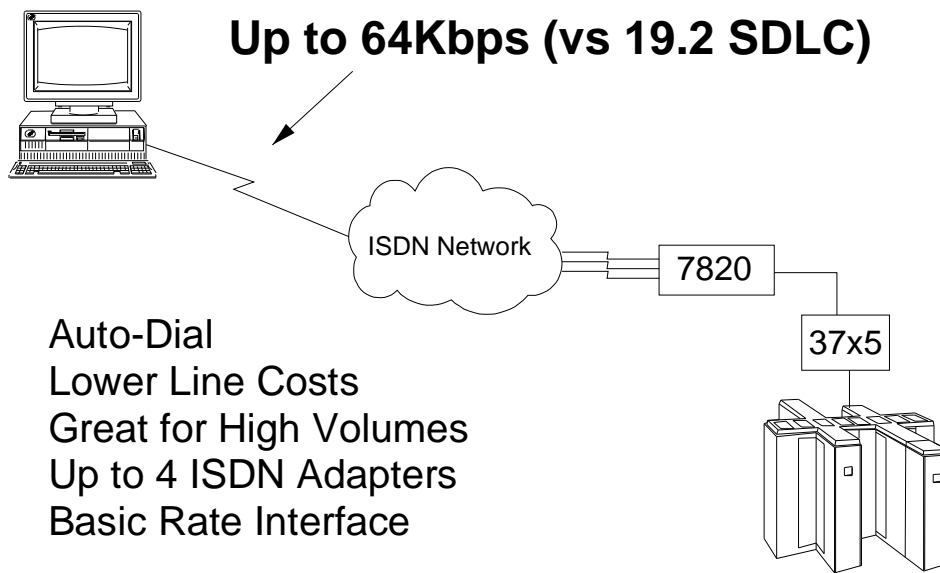
Comm. Mgr. Client Server/2

- Benefits
 - Share Resources (Comm. Links...)
 - Less Resources on Client
(Smaller PC, Memory and DASD)
 - Configuration Centralized at Server

cont...

ISDN

Up to 64Kbps (vs 19.2 SDLC)



Auto-Dial
Lower Line Costs
Great for High Volumes
Up to 4 ISDN Adapters
Basic Rate Interface

Problem Determination

- FFST/2
 - Consolidated Message, Error, and Dump Services
- Trace Services
 - PM Interface
- New PD Utility: CMPD

cont...

Problem Determination

- Alert Routing
 - SNA Focal Point
 - LAN Network Manager
 - None

Management Services

- Implicit and Nested Focal Point Support
- New Verbs to Support FP Configuration
- Improved Entry Point Recovery
- Sample MS Applications

ASCII Emulation

- EE/ES ASCII Emulator Replaced and Supported by:

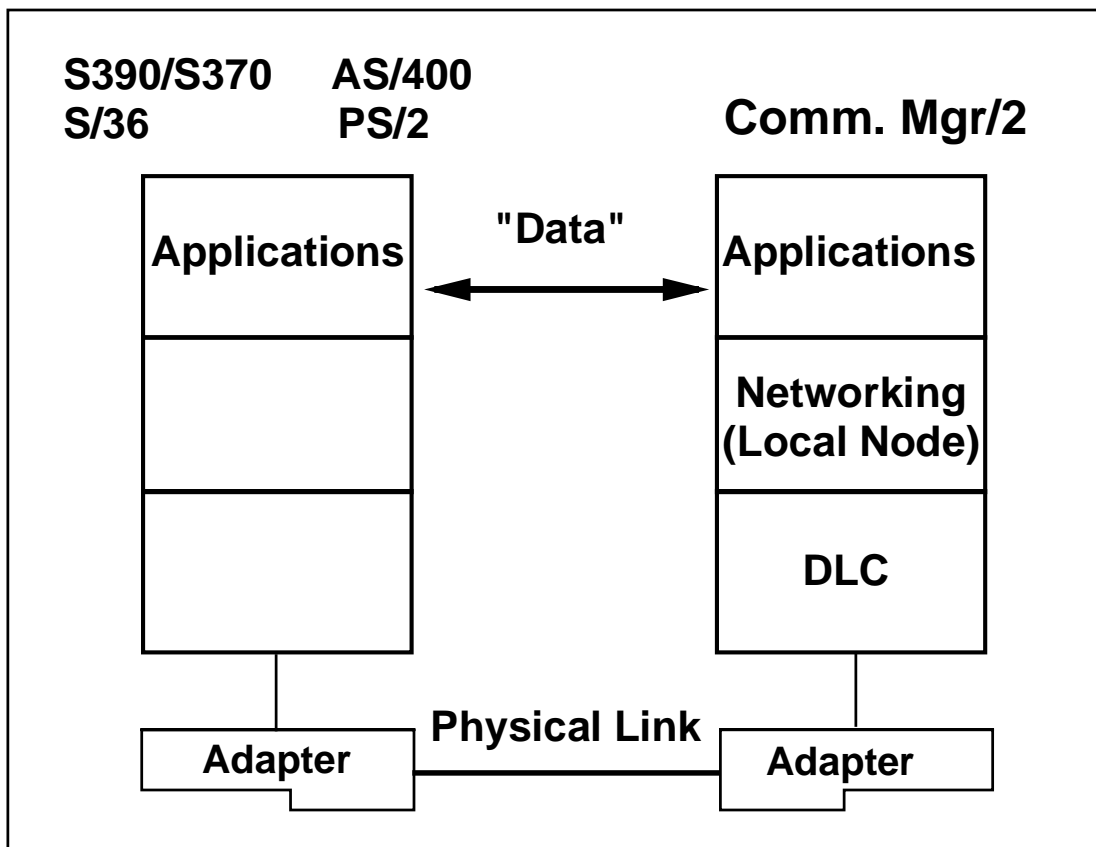
Softerm* Custom Plus
by Softronics*, Inc.

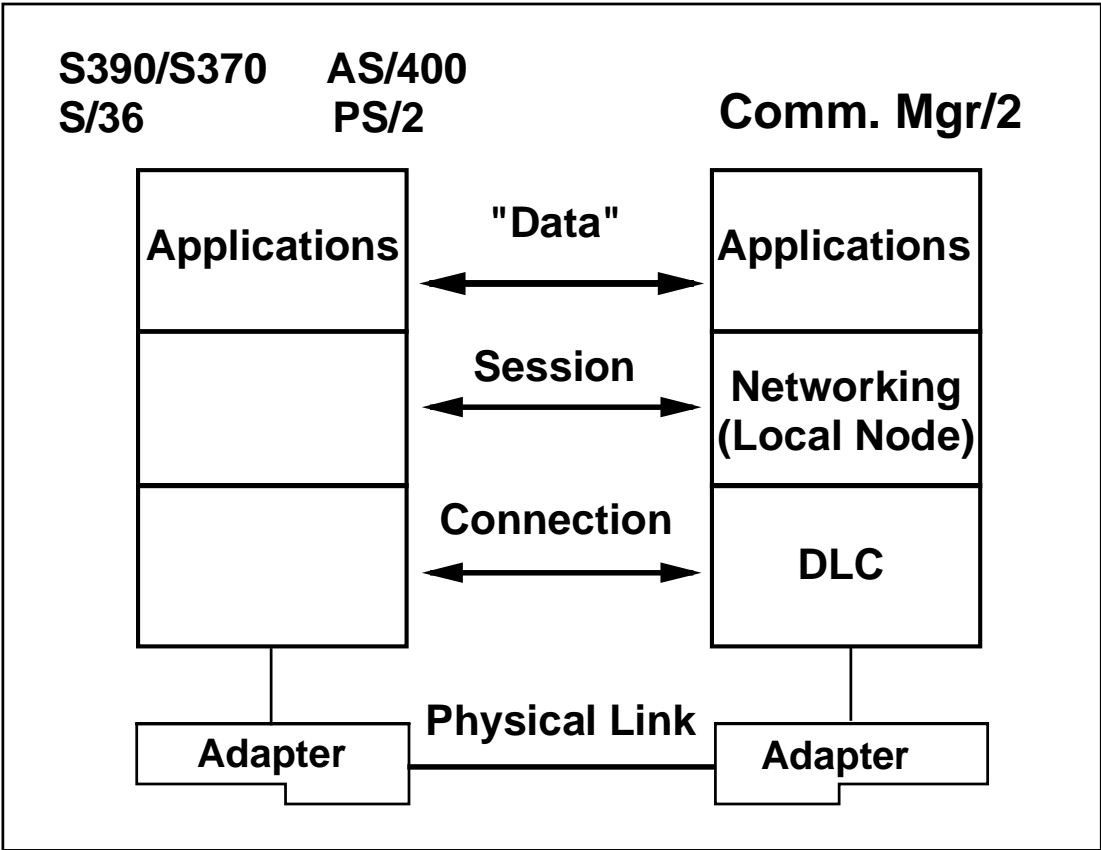
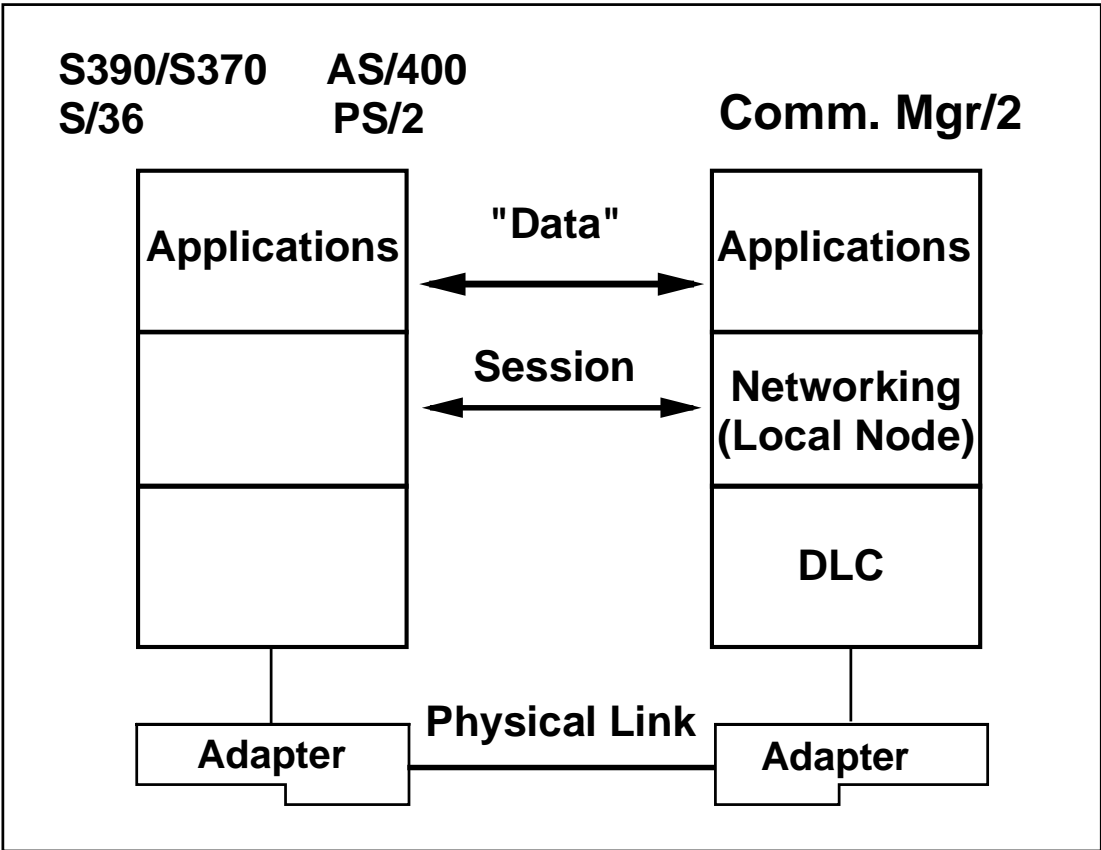
* Trademarks of Softronics, Inc.

Communications Manager/2

Demonstration:

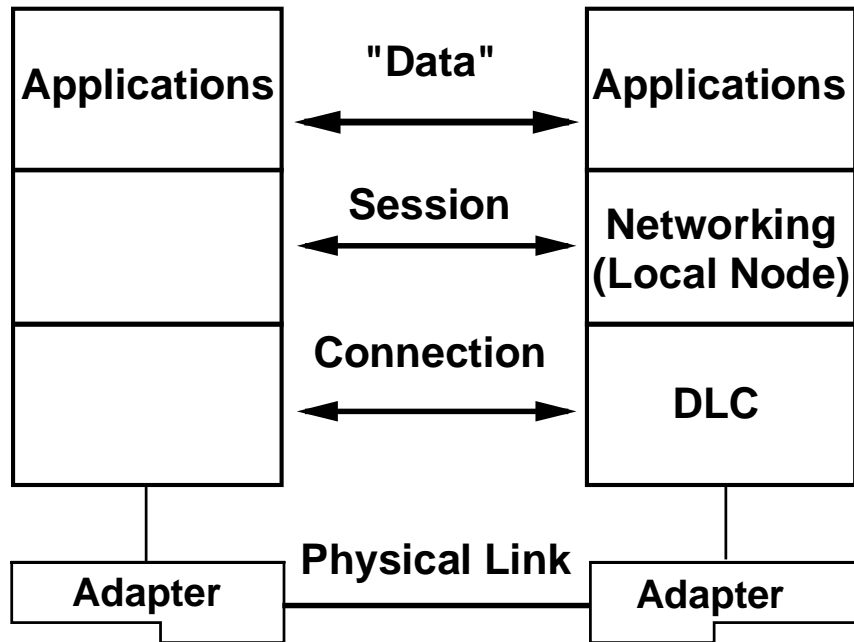
Configuration and Installation





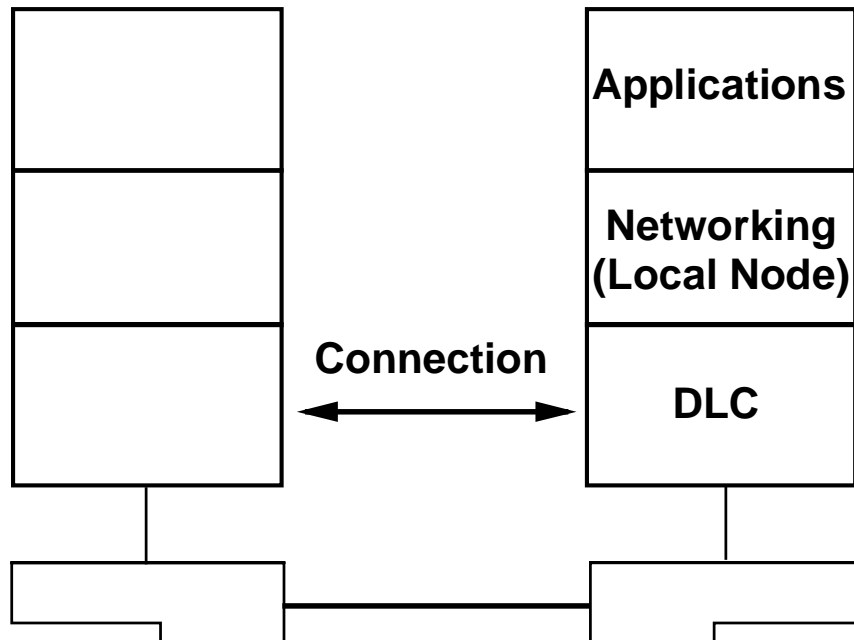
***So what do you have to configure
in Comm. Mgr/2???***

Comm. Mgr/2



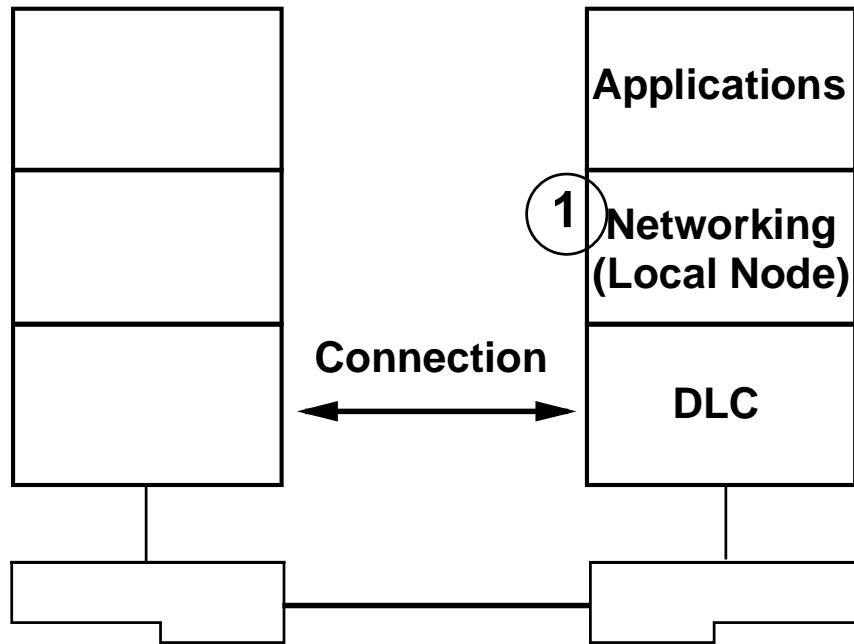
***So what do you have to configure
in Comm. Mgr/2???***

Comm. Mgr/2



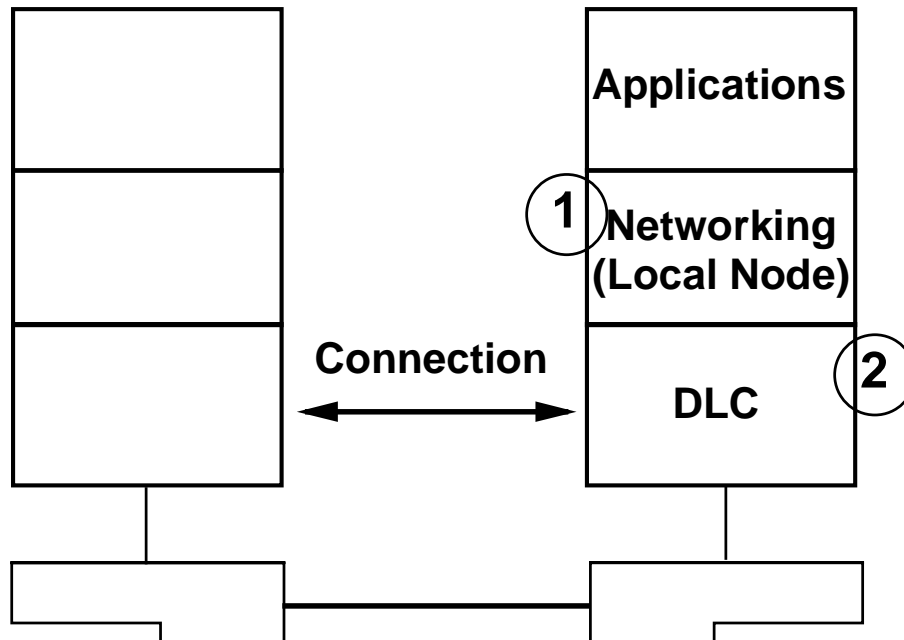
***So what do you have to configure
in Comm. Mgr/2???***

Comm. Mgr/2



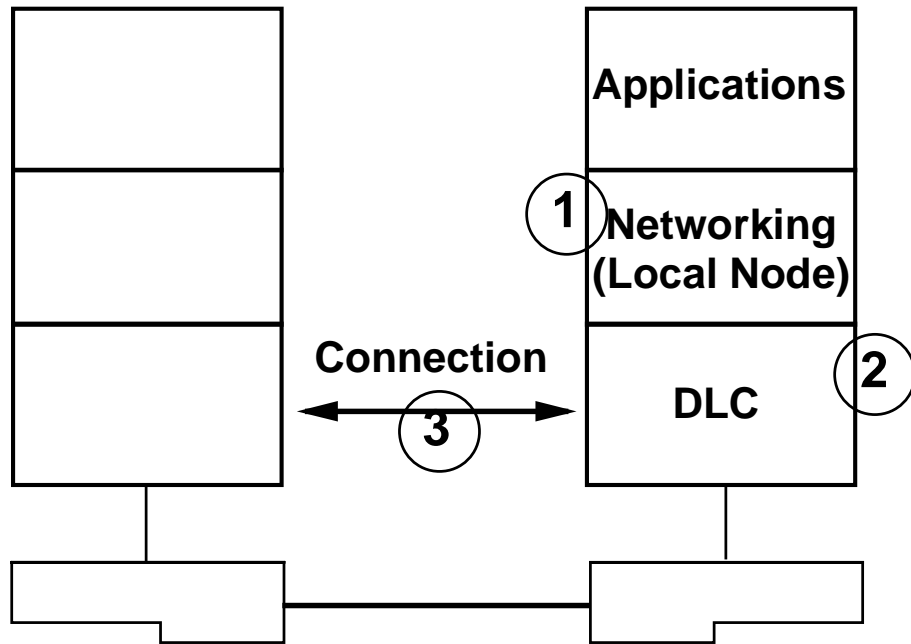
***So what do you have to configure
in Comm. Mgr/2???***

Comm. Mgr/2



***So what do you have to configure
in Comm. Mgr/2???***

Comm. Mgr/2



***So what do you have to configure
in Comm. Mgr/2???***

Comm. Mgr/2

