

Windows NT Adapter Help

This Help file was compiled by the Product Support Services (PSS) group at Microsoft and will assist you in the setup of your Adapter cards for Windows NT. Below you will find some of the most commonly used Adapters listed by function and manufacturer. Wherever possible, the cards default settings have been indicated in ***bold italic text***. Please refer to the appropriate manufacturer and card for specific instructions.

Network Adapter Cards

[3Com
Compaq](#)

[DEC
IBM](#)

[Intel
Network Peripherals](#)

[Novell
Proteon](#)

[UngermanBass
WD\(SMC\)](#)

[General Information](#)

SCSI Adapters

[Adaptec
Always](#)

[BusLogic
DPT](#)

[DTC
Future
Domain](#)

[IBM
Olivetti](#)

[Trantor
UltraStor](#)

Sound Cards

[Creative Labs](#)

[Media Vision](#)

[Microsoft](#)

Troubleshooting Tips

[SCSI Tape Troubleshooting Tips](#)

[CD ROM Troubleshooting Tips](#)

Terminology

[Base Address](#)
[COAX Cable](#)

[DMA](#)
[IRQ](#)

[SCSI](#)
[SCSI Connectors](#)

[SCSI Types](#)
[Serial Connectors](#)

[SCSI Termination](#)
[SCSI Terminators](#)

NOTE:

This Help file is not intended to be a replacement for the documentation that was provided with your Adapter card(s). It is provided as a convenience, in the hopes that it will help you get your Adapter card(s) configured more quickly. This Help file provides IRQ, I/O Base, RAM Base Address and other settings as a convenience. For information not covered in this Help file, please consult the documentation that was supplied with your Adapter card.

The products included here are manufactured by vendors independent of Microsoft Corporation. MICROSOFT MAKES NO WARRANTIES, EXPRESS OR IMPLIED REGARDING THE PERFORMANCE OR RELIABILITY OF THESE PRODUCTS.

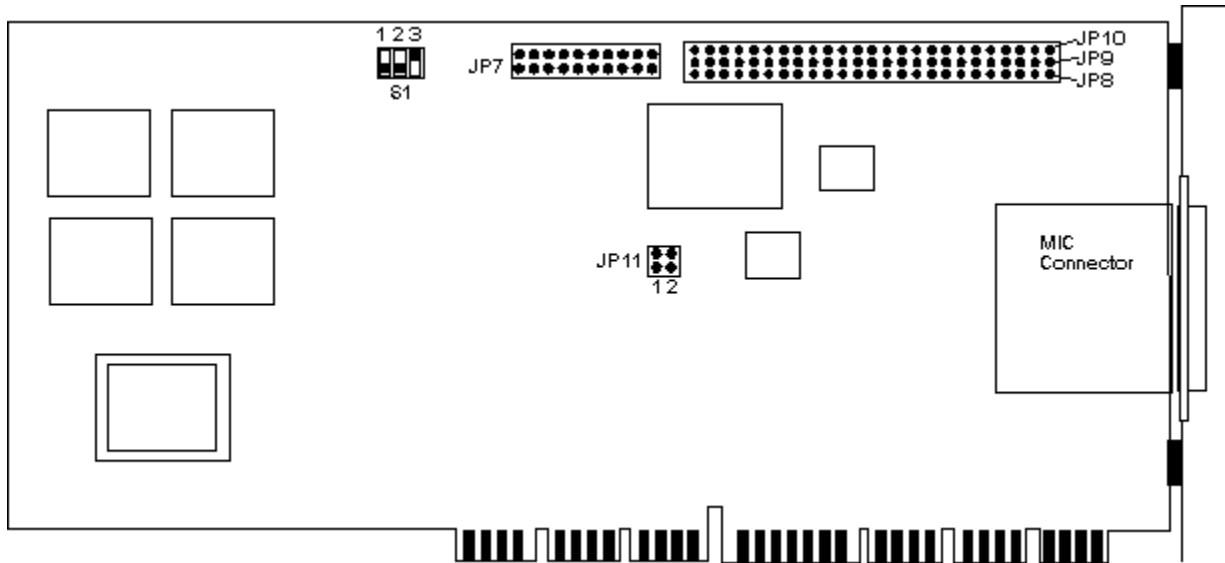
Network Peripherals

Windows NT Adapter help currently includes the following Network Peripherals

Network Peripherals NP-EISA/S

Network Peripherals NP-MCA/S

Network Peripherals NP-EISA/S



This is the Network Peripherals NP-EISA/S Network Adapter card shown. The Installation/Diagnostic Program is a menu based program that allows the installer to configure, install and test a network interface. To run it type:

NPINST <RETURN>.

I/O Base Address Switch S1

	1	2	3
160	ON	OFF	ON
180	ON	OFF	OFF
260	OFF	ON	ON
280	OFF	ON	OFF
360	OFF	OFF	ON
380	OFF	OFF	OFF

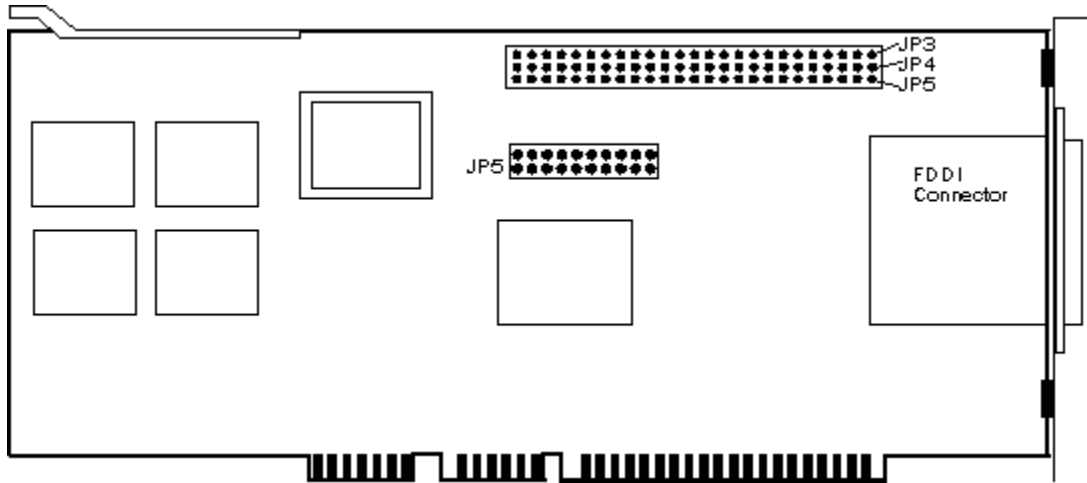
Port Type Configuration Jumper Block JP11

	1	2
'A' Type	OFF	OFF
'S' Type	OFF	ON
'M' Type	ON	OFF
'B' Type	ON	ON

Cabling for this Adapter

FDDI Connector

Network Peripherals NP-MCA/S



This is the Network Peripherals NP-MCA/S Network Adapter card shown. The manual and the README.1ST file on the installation diskette contain information about installing this adapter in your system. Run NPINST to determine the available Hardware Interrupts (IRQs) in the system. IRQs can be set by using the Reference Diskette that came with your MicroChannel Computer.

Note1: - When running the system configuration utility it will report "...@0069.ADF file not found...", select the "filecopy" option to copy the configuration file onto your utility disk. The program will ask for the "New adapter disk". At this prompt insert the Network Peripherals distribution disk.

Note2: - The Port Type should be 'S' for the SAS Single Attach Station on this adapter.

Cabling for this Adapter

FDDI Connector

3COM

Windows NT Adapter help currently includes the following 3Com network cards:

3Com Etherlink 16 (3C507)

3Com Etherlink II (8 or 16-Bit 3C503) 2227-xx

3Com Etherlink II (8-or 16-Bit 3C503) 7920-xxxx

3Com Etherlink/MC (3C523)

3Com Etherlink III (3C509)

3Com Etherlink III - TP (3C509)

3Com Etherlink III - COMBO (3C509)

3Com Etherlink 16 (3C507)

This Network Adapter card can be configured using the software supplied by the manufacturer. Please consult the documentation that came with your Network Adapter or contact the manufacturer of the Network Adapter for further information.

Setup Choice for Windows NT 3.1

3Com Etherlink16/EtherLink16 TP Adapter

Interrupt Request Line (IRQ)

Default - IRQ3

Base I/O Address

Default - 300h

Base Memory Address

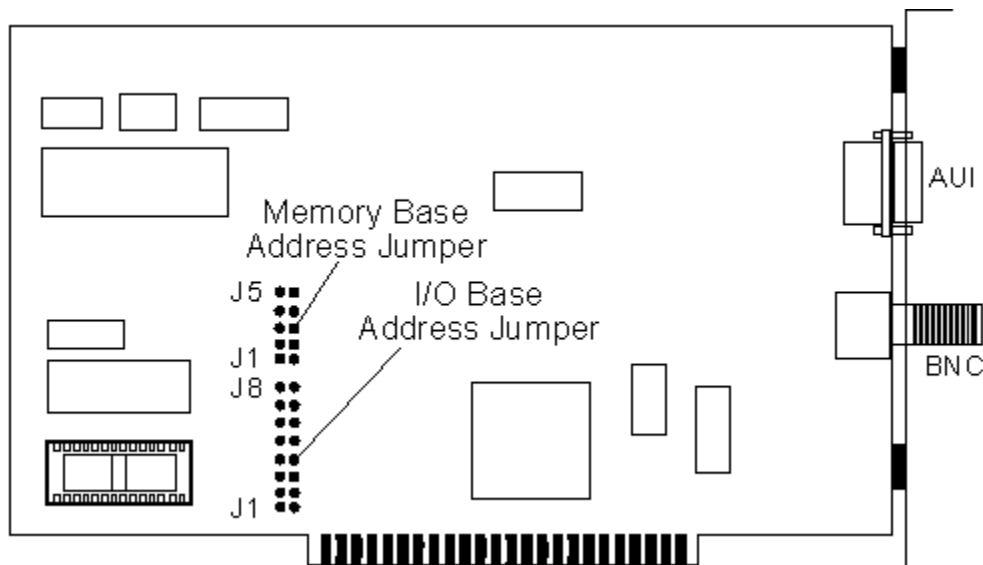
Default - D000h

Cabling for this Adapter

Thick Ethernet via AUI Connector

Thin Ethernet via BNC Connector

3Com Etherlink II (8 or 16-Bit 3C503) 2227-xx



This is the 3Com Etherlink II (8 or 16-Bit 3C503) 2227-xx Network Adapter card shown. Listed below are the possible Interrupt Request Line (IRQ), Base I/O Address, and Base Memory Address jumper/switch configurations:

Setup Choice for Windows NT 3.1

3Com Etherlink II Adapter (also II/16 and II/16 TP)

Note1: - If you have an older version of this card (rev. 01-0c or before), you might find that it is not reliable on fast, high-end computers. These cards may cause non-maskable interrupts (NMIs). This is a documented problem with Microsoft LAN Manager 2.1 as well. The best solution is to upgrade your network card.

Note2: - If you have two or more COM ports on your computer, you might find that the EtherLink II card will conflict with one port. Two common symptoms are that the workstation fails to start, and that an error attributed to the EtherLink II card is logged in Event Viewer.

To solve conflicts between an EtherLink II card and your COM ports, try the following:

1. Choose the Network option in Control Panel.
2. Double-click the EtherLink II entry in the list of Adapter Cards.
3. In the configuration dialog box, change the interrupt number from 3 to another interrupt, such as 5. Make sure that the interrupt you choose is not being used by another device.

For the 3Com EtherLink II/16 TP card on a 486/50 or faster computer, we suggest that you use the shared-memory mode of this adapter with Windows NT.

There is a known issue with regard to the 3Com EtherLink II card and COM2. If an interrupt conflict exists on IRQ3 between the preferred default on the card and COM2, the system will silently disable COM2, because the network adapter card loads first. Make sure there are no conflicts before you run Setup if you want to use COM2.

Interrupt Request Line (IRQ)

SOFTWARE CONFIGURABLE

Default - IRQ3

Base I/O Address

BASE I/O JUMPER BLOCK

	J1	J2	J3	J4	J5	J6	J7	J8
250h	OFF	OFF	OFF	ON	OFF	OFF	OFF	OFF
280h	OFF	OFF	ON	OFF	OFF	OFF	OFF	OFF
2A0h	OFF	ON	OFF	OFF	OFF	OFF	OFF	OFF
2E0h	ON	OFF	OFF	OFF	OFF	OFF	OFF	OFF
300h	OFF	OFF	OFF	OFF	OFF	OFF	OFF	ON
310h	OFF	OFF	OFF	OFF	OFF	OFF	ON	OFF
330h	OFF	OFF	OFF	OFF	OFF	ON	OFF	OFF
350h	OFF	OFF	OFF	OFF	ON	OFF	OFF	OFF

Base Memory Address

Base Memory Address JUMPER BLOCK

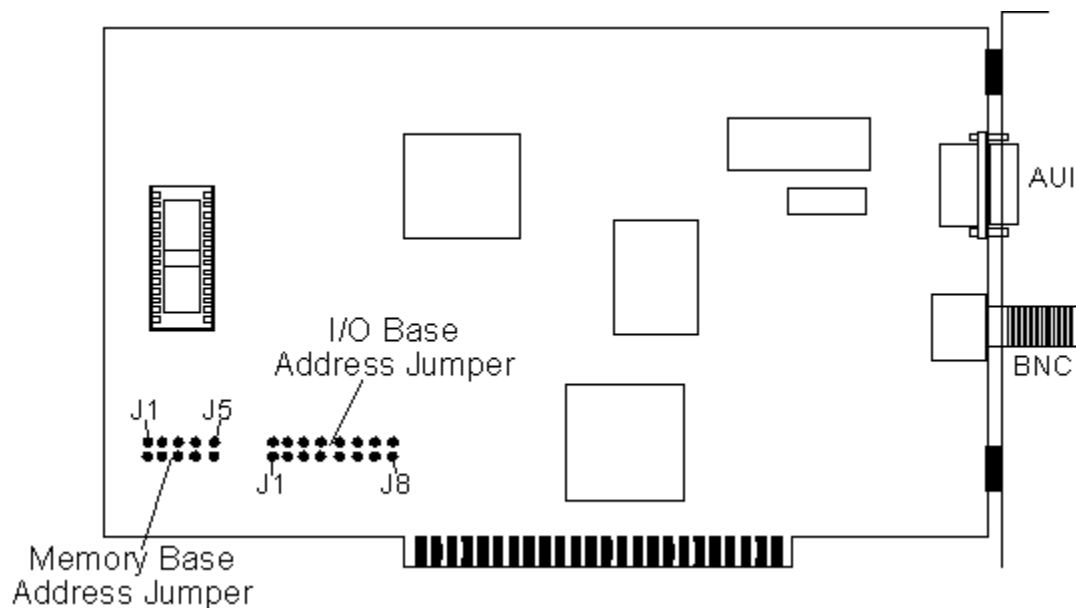
	J1	J2	J3	J4	J5
DISABLED	OFF	OFF	OFF	OFF	ON
C800h	ON	OFF	OFF	OFF	OFF
CC00h	OFF	ON	OFF	OFF	OFF
D800h	OFF	OFF	ON	OFF	OFF
DC00h	OFF	OFF	OFF	ON	OFF

Cabling for this Adapter

Thick Ethernet via AUI Connector

Thin Ethernet via BNC Connector

3Com Etherlink II (8 or 16-Bit 3C503) 7920-xxxx



This is the 3Com Etherlink II (8 or 16-Bit) 7920-xxxx Network Adapter card shown. Listed below are the possible Interrupt Request Line (IRQ), Base I/O Address, and Base Memory Address jumper/switch configurations:

Setup Choice for Windows NT 3.1

3Com Etherlink II Adapter (also II/16 and II/16 TP)

Note1: - If you have an older version of this card (rev. 01-0c or before), you might find that it is not reliable on fast, high-end computers. These cards may cause non-maskable interrupts (NMIs). This is a documented problem with Microsoft LAN Manager 2.1 as well. The best solution is to upgrade your network card.

Note2: - If you have two or more COM ports on your computer, you might find that the EtherLink II card will conflict with one port. Two common symptoms are that the workstation fails to start, and that an error attributed to the EtherLink II card is logged in Event Viewer.

To solve conflicts between an EtherLink II card and your COM ports, try the following:

1. Choose the Network option in Control Panel.
2. Double-click the EtherLink II entry in the list of Adapter Cards.
3. In the configuration dialog box, change the interrupt number from 3 to another interrupt, such as 5. Make sure that the interrupt you choose is not being used by another device.

For the 3Com EtherLink II/16 TP card on a 486/50 or faster computer, we suggest that you use the shared-memory mode of this adapter with Windows NT.

There is a known issue with regard to the 3Com EtherLink II card and COM2. If an interrupt conflict exists on IRQ3 between the preferred default on the card and COM2, the system will silently disable COM2, because the network adapter card loads first. Make sure there are no

conflicts before you run Setup if you want to use COM2.

Interrupt Request Line (IRQ)

SOFTWARE CONFIGURABLE

Default - IRQ3

Base I/O Address

BASE I/O JUMPER BLOCK

	J1	J2	J3	J4	J5	J6	J7	J8
250h	OFF	OFF	OFF	OFF	ON	OFF	OFF	OFF
280h	OFF	OFF	OFF	OFF	OFF	ON	OFF	OFF
2A0h	OFF	OFF	OFF	OFF	OFF	OFF	ON	OFF
2E0h	OFF	OFF	OFF	OFF	OFF	OFF	OFF	ON
300h	ON	OFF	OFF	OFF	OFF	OFF	OFF	OFF
310h	OFF	ON	OFF	OFF	OFF	OFF	OFF	OFF
330h	OFF	OFF	ON	OFF	OFF	OFF	OFF	OFF
350h	OFF	OFF	OFF	ON	OFF	OFF	OFF	OFF

Base Memory Address

Base Memory Address JUMPER BLOCK

	J1	J2	J3	J4	J5
DISABLED	ON	OFF	OFF	OFF	OFF
C800h	OFF	ON	OFF	OFF	OFF
CC00h	OFF	OFF	ON	OFF	OFF
D800h	OFF	OFF	OFF	ON	OFF
DC00h	OFF	OFF	OFF	OFF	ON

Cabling for this Adapter

Thick Ethernet via AUI Connector

Thin Ethernet via BNC Connector

3Com Etherlink/MC (3C523)

This Network Adapter card is configured using the 'Reference Disk' provided with your Micro-Channel System. For further information consult the documentation provided with the Network Adapter or contact your vendor.

Setup Choice for Windows NT 3.1

3Com 3C523 Etherlink/MC Adapter

Note1: - An intermittent problem can arise when using this network card in machines containing a 486 'C' step CPU or earlier. When the problem occurs, the computer stops executing all running software, including Windows NT itself. Possible solutions to this problem might be to replace the Etherlink MC card with another type of network card, or upgrade your 486 processor to the current stepping.

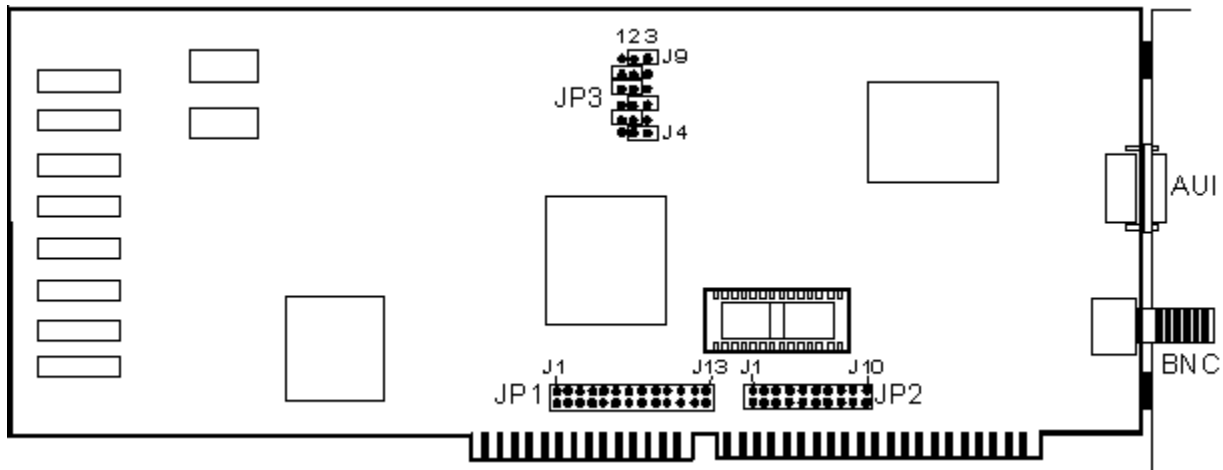
Interrupt Request Line (IRQ)

Default - IRQ3

Base I/O Address

Default - 300h

3Com Etherlink Plus (3C505-B)



This is the 3Com Etherlink Plus Network Adapter card shown. Listed below are the possible Interrupt Request Line (IRQ), Base I/O Address, and Base Memory Address jumper/switch configurations:

Setup Choice for Windows NT 3.1

Interrupt Request Line (IRQ)

	JP1					JP2					
	J9	J10	J11	J12	J13	J1	J2	J3	J4	J5	J6
IRQ3	OFF	OFF	OFF	OFF	OFF	ON	OFF	OFF	OFF	OFF	OFF
IRQ4	OFF	OFF	OFF	OFF	OFF	OFF	ON	OFF	OFF	OFF	OFF
IRQ5	OFF	OFF	OFF	OFF	OFF	OFF	OFF	ON	OFF	OFF	OFF
IRQ6	OFF	OFF	OFF	OFF	OFF	OFF	OFF	OFF	ON	OFF	OFF
IRQ7	OFF	OFF	OFF	OFF	OFF	OFF	OFF	OFF	OFF	ON	OFF
IRQ9	OFF	OFF	OFF	OFF	OFF	OFF	OFF	OFF	OFF	OFF	ON
IRQ10	OFF	OFF	OFF	OFF	ON	OFF	OFF	OFF	OFF	OFF	OFF
IRQ11	OFF	OFF	OFF	ON	OFF	OFF	OFF	OFF	OFF	OFF	OFF
IRQ12	OFF	OFF	ON	OFF	OFF	OFF	OFF	OFF	OFF	OFF	OFF
IRQ14	ON	OFF	OFF	OFF	OFF	OFF	OFF	OFF	OFF	OFF	OFF
IRQ15	OFF	ON	OFF	OFF	OFF	OFF	OFF	OFF	OFF	OFF	OFF

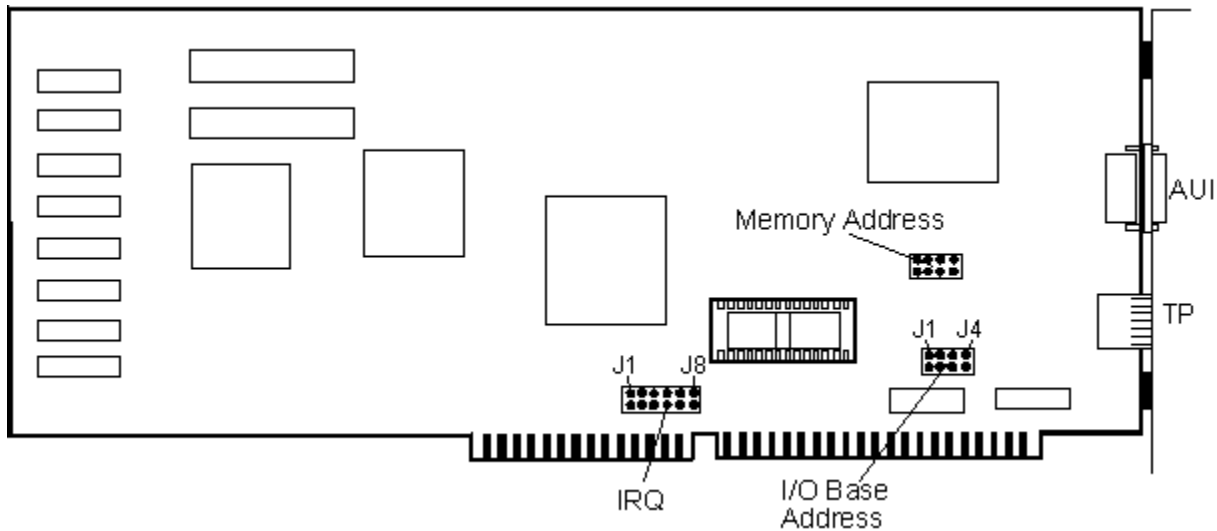
Base I/O Address

	JP3					
	J4	J5	J6	J7	J8	J9
300h	2-3	2-3	2-3	2-3	1-2	1-2
310h	1-2	2-3	2-3	2-3	1-2	1-2
330h	1-2	1-2	2-3	2-3	1-2	1-2
350h	1-2	2-3	1-2	2-3	1-2	1-2

Base Memory Address

NOT USED

3Com Tokenlink (3C603)



This is the 3Com Tokenlink Network Adapter card shown. Listed below are the possible Interrupt Request Line (IRQ), Base I/O Address, and Base Memory Address jumper/switch configurations:

Setup Choice for Windows NT 3.1

Interrupt Request Line (IRQ)

	IRQ JUMPER BLOCK							
	J1	J2	J3	J4	J5	J6	J7	J8
IRQ2	ON	OFF	OFF	OFF	OFF	OFF	OFF	OFF
IRQ3	OFF	ON	OFF	OFF	OFF	OFF	OFF	OFF
IRQ4	OFF	OFF	ON	OFF	OFF	OFF	OFF	OFF
IRQ5	OFF	OFF	OFF	ON	OFF	OFF	OFF	OFF
IRQ10	OFF	OFF	OFF	OFF	ON	OFF	OFF	OFF
IRQ11	OFF	OFF	OFF	OFF	OFF	OFF	OFF	OFF
IRQ12	OFF	OFF	OFF	OFF	OFF	OFF	ON	OFF
IRQ14	OFF	OFF	OFF	OFF	OFF	OFF	OFF	ON

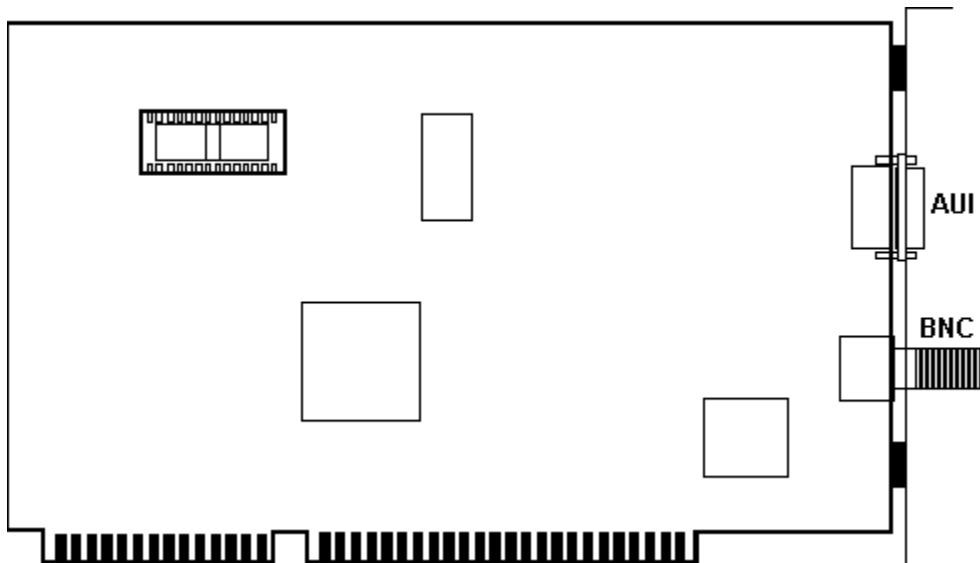
Base I/O Address

	BASE I/O JUMPER BLOCK			
	J1	J2	J3	J4
300h	ON	OFF	OFF	OFF
310h	OFF	ON	OFF	OFF
330h	OFF	OFF	ON	OFF
350h	OFF	OFF	OFF	ON

Base Memory Address

NOT USED

3Com Etherlink III (3C509)



This Network Adapter card can be configured using the software supplied by the manufacturer. Please consult the documentation that came with your Network Adapter or contact the manufacturer of the Network Adapter for further information.

Setup Choice for Windows NT 3.1

3Com Etherlink III Adapter

Interrupt Request Line (IRQ)

Default - IRQ10

Base I/O Address

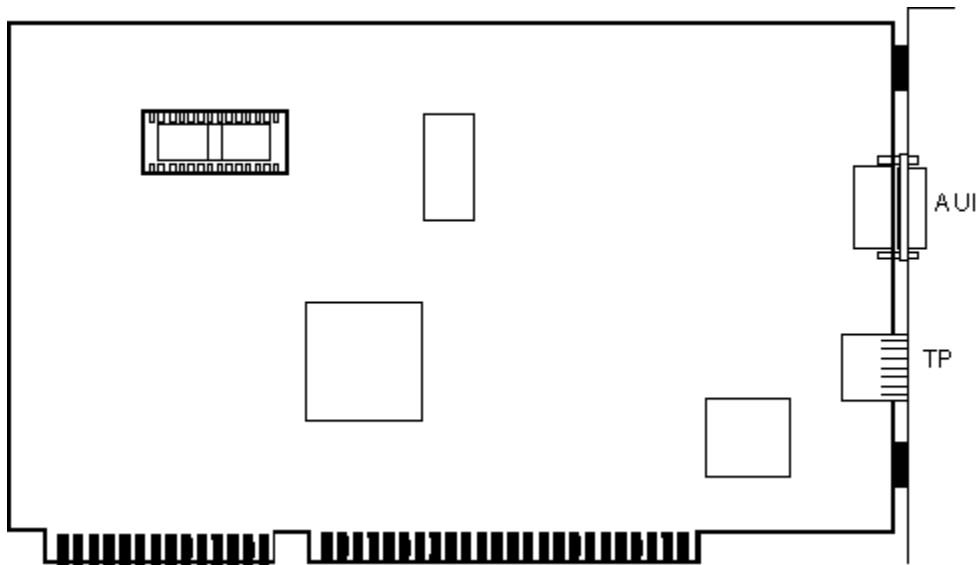
Default - 300h

Cabling for this Adapter

Thick Ethernet via AUI Connector

Thin Ethernet via BNC Connector

3Com Etherlink III - TP (3C509)



This Network Adapter card can be configured using the software supplied by the manufacturer. Please consult the documentation that came with your Network Adapter or contact the manufacturer of the Network Adapter for further information.

Setup Choice for Windows NT 3.1

3Com Etherlink III Adapter

Interrupt Request Line (IRQ)

Default - IRQ10

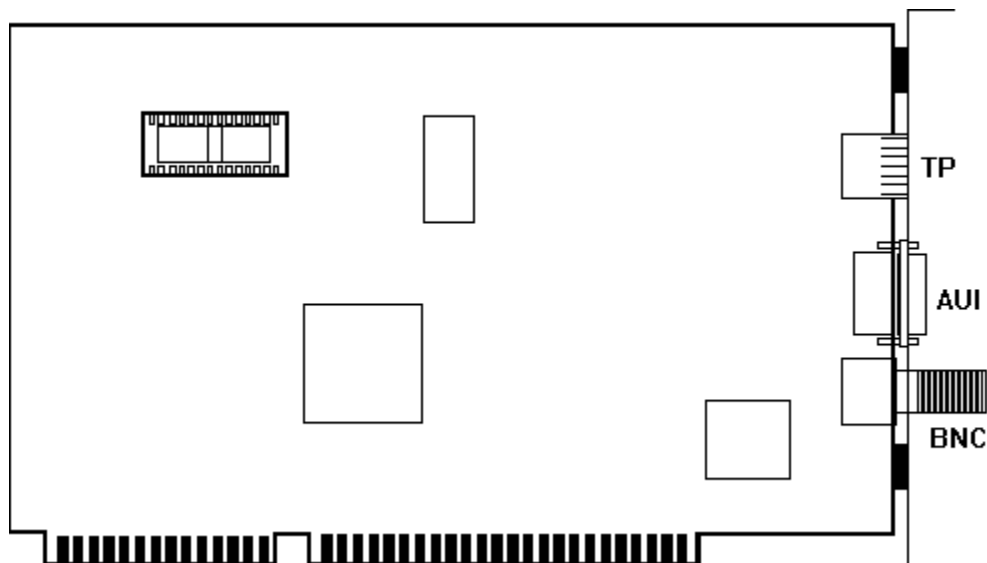
Base I/O Address

Default - 300h

Cabling for this Adapter

- Unshielded Twisted Pair via RJ-45 Connector
- Thin Ethernet via BNC Connector

3Com Etherlink III COMBO (3C509)



This Network Adapter card can be configured using the software supplied by the manufacturer. Please consult the documentation that came with your Network Adapter or contact the manufacturer of the Network Adapter for further information.

Setup Choice for Windows NT 3.1

3Com Etherlink III Adapter

Interrupt Request Line (IRQ)

Default - IRQ10

Base I/O Address

Default - 300h

Cabling for this Adapter

- Unshielded Twisted Pair via RJ-45 Connector
- Thick Ethernet via AUI Connector
- Thin Ethernet via BNC Connector

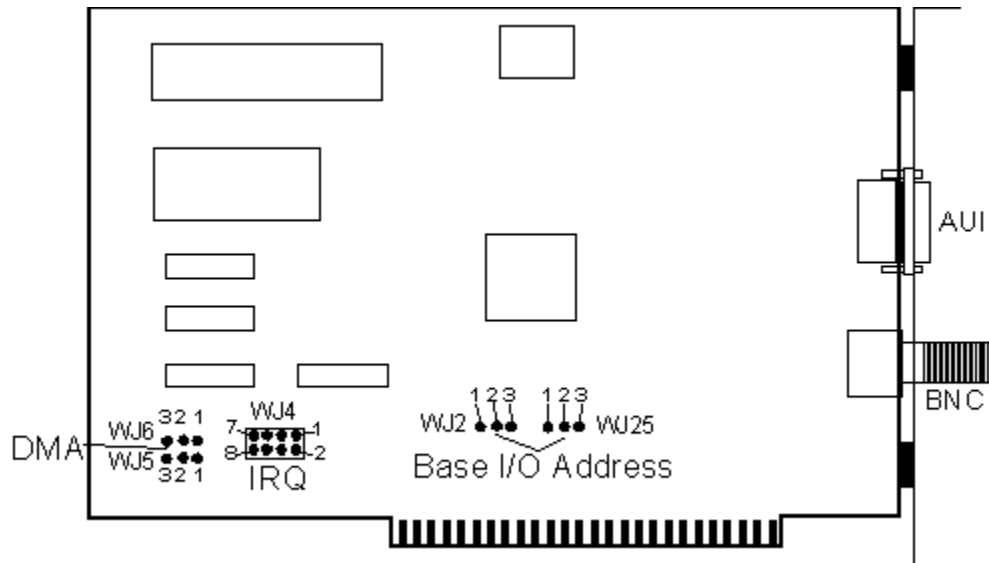
Amplicard

Windows NT Adapter help currently includes the following Amplicard network cards:

Amplicard AC 210/XT

Amplicard AC 210/AT

Amplicard AC 210/XT



This is the Amplicard AC 210/XT Network Adapter card shown. Listed below are the possible Interrupt Request Line (IRQ), Base I/O Address, and Base Memory Address jumper/switch configurations:

Setup Choice for Windows NT 3.1

Interrupt Request Line (IRQ)

WJ4
IRQ2 7-8
IRQ3 5-6
IRQ4 3-4
IRQ5 1-2

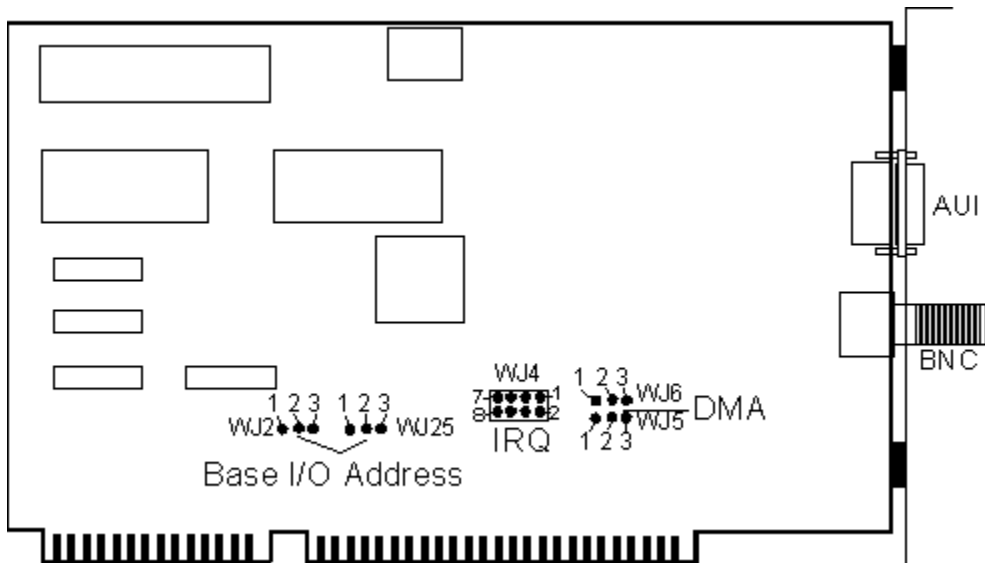
Base I/O Address

WJ2 WJ25
300h 1-2 1-2
320h 2-3 1-2
340h 1-2 2-3
360h 2-3 2-3

Base Memory Address

SOFTWARE CONFIGURABLE
Default - D000h

Amplicard AC 210/AT



This is the Amplicard AC 210/AT Network Adapter card shown. Listed below are the possible Interrupt Request Line (IRQ), Base I/O Address, and Base Memory Address jumper/switch configurations:

Setup Choice for Windows NT 3.1

Interrupt Request Line (IRQ)

WJ4
 IRQ2 7-8
IRQ3 5-6
 IRQ4 3-4
 IRQ5 1-2

Base I/O Address

WJ2 WJ24
300h 1-2 1-2
 320h 1-2 2-3
 340h 2-3 2-3
 360h 2-3 1-2

Base Memory Address

SOFTWARE CONFIGURABLE
Default - D000h

Artisoft

Windows NT Adapter help currently includes the following Artisoft network cards:

Artisoft AE-1/T (Twisted Pair)

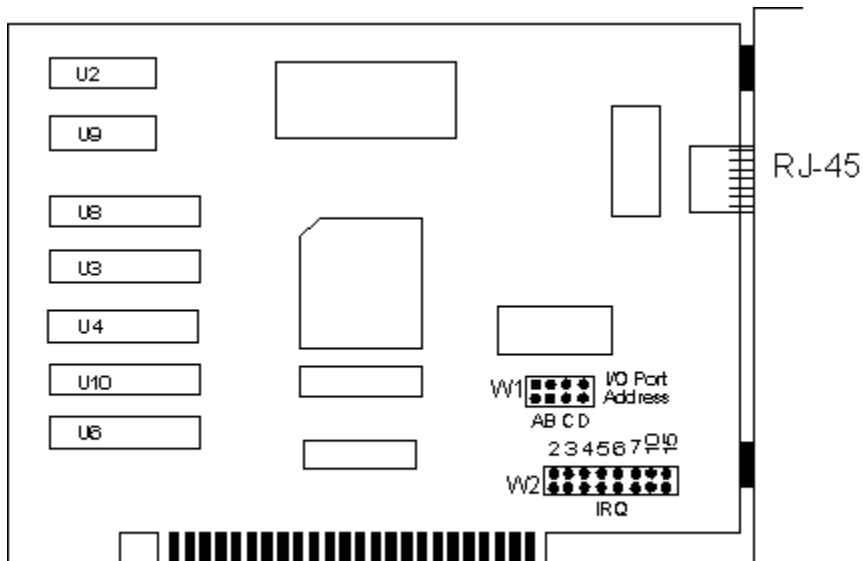
Artisoft AE-2/T (Twisted Pair)

Artisoft AE-2/C (Thinnet/Coax)

Artisoft AE-2 (MCA) or AE-3 (MCA)

Artisoft AE-3

Artisoft AE-1/T



This is the Artisoft AE-1/T Network Adapter card shown. Listed below are the possible Interrupt Request Line (IRQ), Base I/O Address, and Base Memory Address jumper/switch configurations:

Setup Choice for Windows NT 3.1

Interrupt Request Line (IRQ)

	W2							
	J2	J3	J4	J5	J6	J7	J10	J15
IRQ2	ON	OFF	OFF	OFF	OFF	OFF	OFF	OFF
IRQ3	OFF	ON	OFF	OFF	OFF	OFF	OFF	OFF
IRQ4	OFF	OFF	ON	OFF	OFF	OFF	OFF	OFF
IRQ5	OFF	OFF	OFF	ON	OFF	OFF	OFF	OFF
IRQ6	OFF	OFF	OFF	OFF	ON	OFF	OFF	OFF
IRQ7	OFF	OFF	OFF	OFF	OFF	ON	OFF	OFF
IRQ10	OFF	OFF	OFF	OFF	OFF	OFF	ON	OFF
IRQ15	OFF	OFF	OFF	OFF	OFF	OFF	OFF	ON

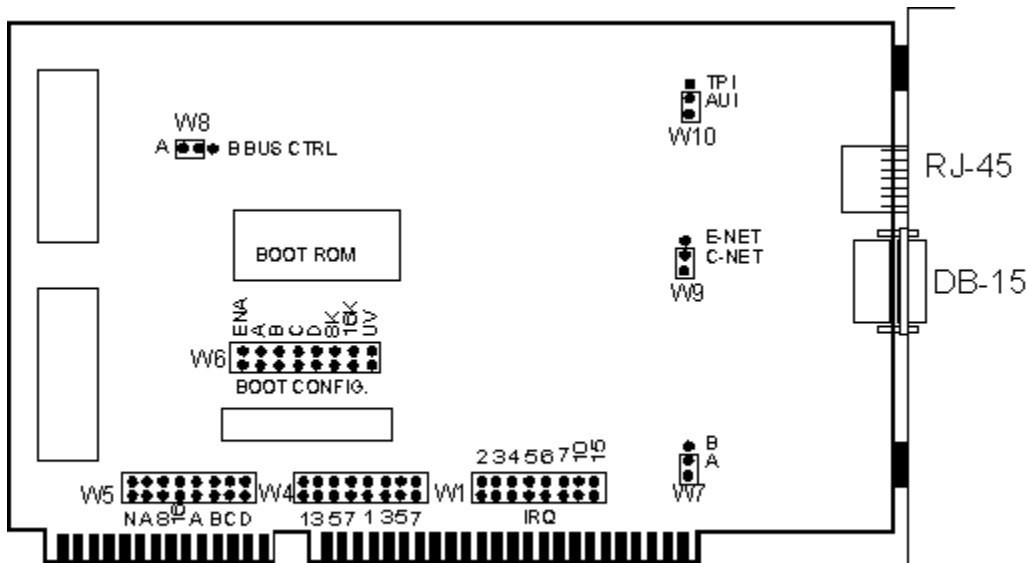
Base I/O Address

	W1			
	A	B	C	D
300h	ON	ON	OFF	OFF
320h	OFF	ON	OFF	ON
340h	ON	OFF	ON	OFF
360h	OFF	OFF	ON	ON

Base Memory Address

NOT USED

Artisoft AE-2/T (Twisted Pair)



This is the Artisoft AE-2 Card (Twisted Pair) shown. Listed below are the possible Interrupt Request Line (IRQ), Base I/O Address, and Base Memory Address jumper/switch configurations:

Setup Choice for Windows NT 3.1

Interrupt Request Line (IRQ)

	W1	J2	J3	J4	J5	J6	J7	J10	J15
IRQ2		ON	OFF	OFF	OFF	OFF	OFF	OFF	OFF
IRQ3		OFF	ON	OFF	OFF	OFF	OFF	OFF	OFF
IRQ4		OFF	OFF	ON	OFF	OFF	OFF	OFF	OFF
IRQ5		OFF	OFF	OFF	ON	OFF	OFF	OFF	OFF
IRQ6		OFF	OFF	OFF	OFF	ON	OFF	OFF	OFF
IRQ7		OFF	OFF	OFF	OFF	OFF	ON	OFF	OFF
IRQ10		OFF	OFF	OFF	OFF	OFF	OFF	ON	OFF
IRQ15		OFF	OFF	OFF	OFF	OFF	OFF	OFF	ON

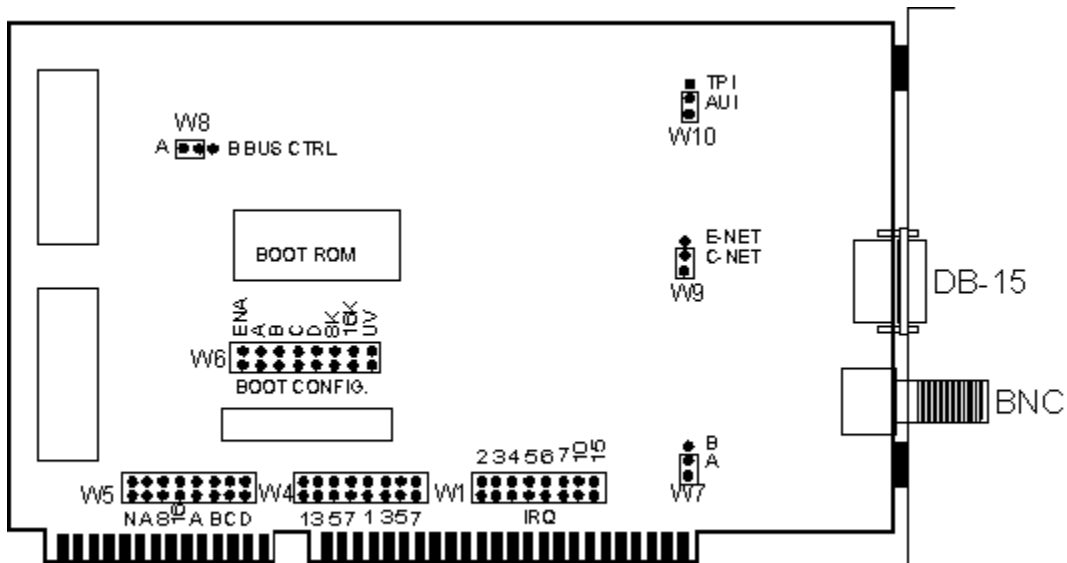
Base I/O Address

	W4	A	B	C	D
300h		ON	ON	OFF	OFF
320h		ON	OFF	ON	OFF
340h		OFF	ON	OFF	ON
360h		OFF	OFF	ON	ON

Base Memory Address

NOT USED

Artisoft AE-2/C (Thinnet)



This is the Artisoft AE-2/C Card (Thinnet) shown. Listed below are the possible Interrupt Request Line (IRQ), Base I/O Address, and Base Memory Address jumper/switch configurations:

Setup Choice for Windows NT 3.1

Interrupt Request Line (IRQ)

	W1	J2	J3	J4	J5	J6	J7	J10	J15
IRQ2		ON	OFF	OFF	OFF	OFF	OFF	OFF	OFF
IRQ3		OFF	ON	OFF	OFF	OFF	OFF	OFF	OFF
IRQ4		OFF	OFF	ON	OFF	OFF	OFF	OFF	OFF
IRQ5		OFF	OFF	OFF	ON	OFF	OFF	OFF	OFF
IRQ6		OFF	OFF	OFF	OFF	ON	OFF	OFF	OFF
IRQ7		OFF	OFF	OFF	OFF	OFF	ON	OFF	OFF
IRQ10		OFF	OFF	OFF	OFF	OFF	OFF	ON	OFF
IRQ15		OFF	OFF	OFF	OFF	OFF	OFF	OFF	ON

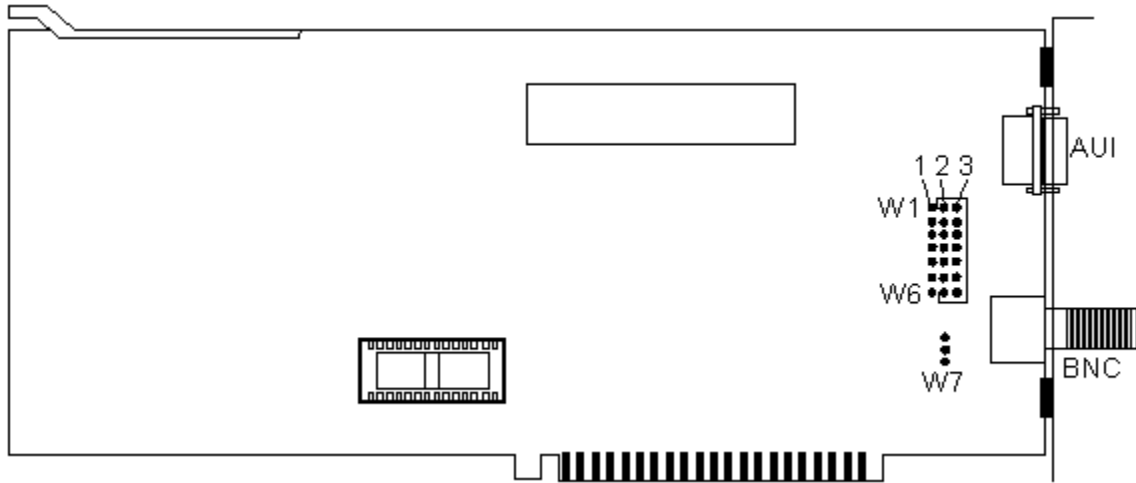
Base I/O Address

	W4	A	B	C	D
300h		ON	ON	OFF	OFF
320h		ON	OFF	ON	OFF
340h		OFF	ON	OFF	ON
360h		OFF	OFF	ON	ON

Base Memory Address

NOT USED

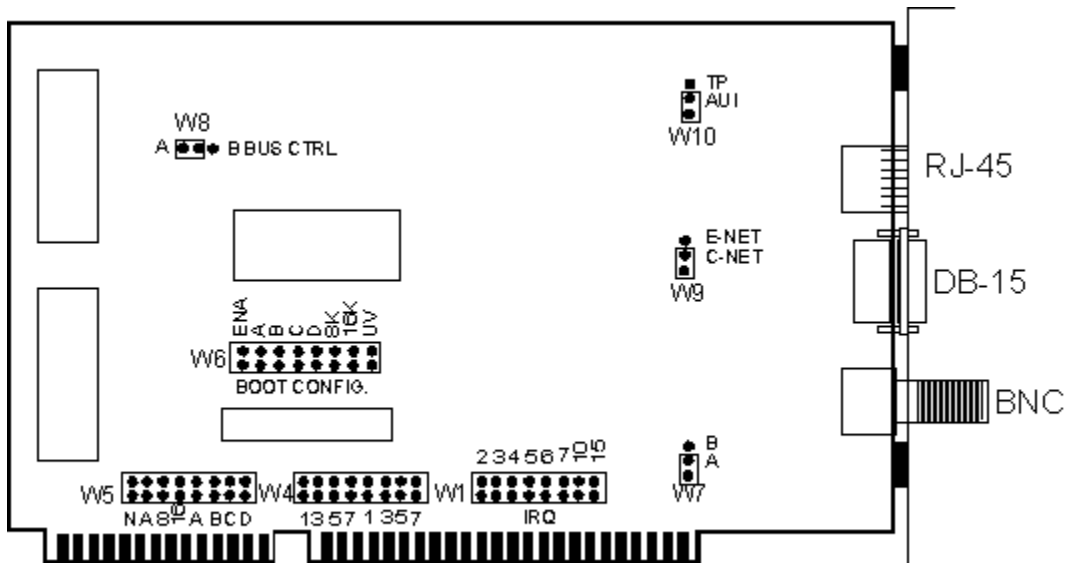
Artisoft AE-2 (MCA) or AE-3 (MCA)



This Network Adapter card is configured using the 'Reference Disk' provided with your Micro-Channel System. For further information consult the documentation provided with the Network Adapter or contact your vendor.

Setup Choice for Windows NT 3.1

Artisoft AE-3



This is the Artisoft AE-3 Network Adapter card shown. Listed below are the possible Interrupt Request Line (IRQ), Base I/O Address, and Base Memory Address jumper/switch configurations:

Setup Choice for Windows NT 3.1

Interrupt Request Line (IRQ)

	W1							
	J2	J3	J4	J5	J6	J7	J10	J15
IRQ2	ON	OFF	OFF	OFF	OFF	OFF	OFF	OFF
IRQ3	OFF	ON	OFF	OFF	OFF	OFF	OFF	OFF
IRQ4	OFF	OFF	ON	OFF	OFF	OFF	OFF	OFF
IRQ5	OFF	OFF	OFF	ON	OFF	OFF	OFF	OFF
IRQ6	OFF	OFF	OFF	OFF	ON	OFF	OFF	OFF
IRQ7	OFF	OFF	OFF	OFF	OFF	ON	OFF	OFF
IRQ10	OFF	OFF	OFF	OFF	OFF	OFF	ON	OFF
IRQ15	OFF	OFF	OFF	OFF	OFF	OFF	OFF	ON

Base I/O Address

	W4			
	A	B	C	D
300h	ON	ON	OFF	OFF
320h	ON	OFF	ON	OFF
340h	OFF	ON	OFF	ON
360h	OFF	OFF	ON	ON

Base Memory Address

NOT USED

Compaq

Windows NT Adapter help currently includes the following Compaq network cards:

Compaq 32-Bit Dualspeed Token Ring

Compaq 32-Bit NetFlex Without Token Ring

Compaq 32-Bit NetFlex With Token Ring

Compaq 32-Bit Dualspeed Token Ring

This can be configured using the ECU (EISA Configuration Utility) that ships with most EISA systems. For question about use of the ECU, please consult the documentation that came with your system or contact the manufacturer of the system.

Setup Choice for Windows NT 3.1

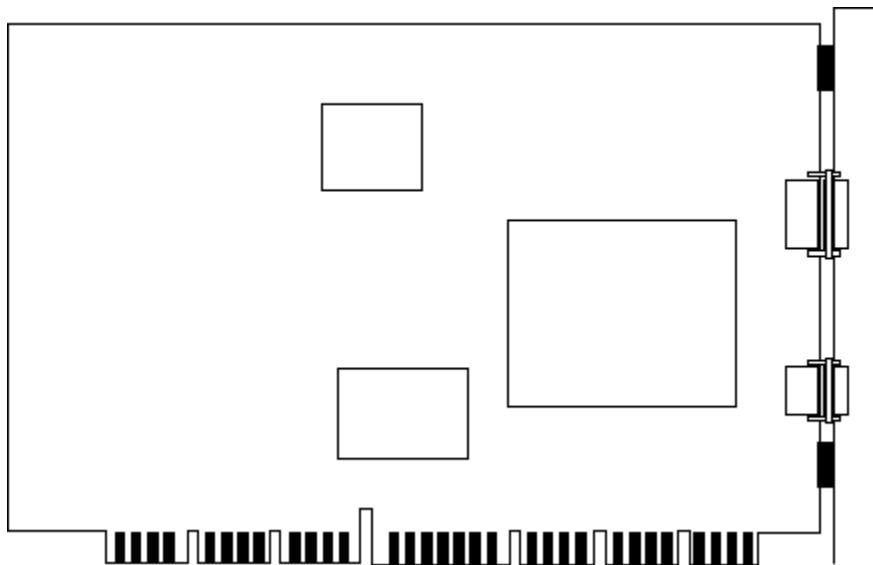
COMPAQ 32-Bit DualSpeed Token-Ring Controller

Cabling for this Adapter

Unshielded Twisted Pair via RJ-45 Connector

Shielded Twisted Pair (IBM Type 1) via DB-9 Connector

Compaq 32-Bit NetFlex Without Token Ring



Note: The default setting for the NetFlex is 10BASET (Ethernet). To select Token-Ring, Network Type, and speed, as well as other options, choose View Edit Details in the COMPAQ EISA Configuration Utility

Setup Choice for Windows NT 3.1

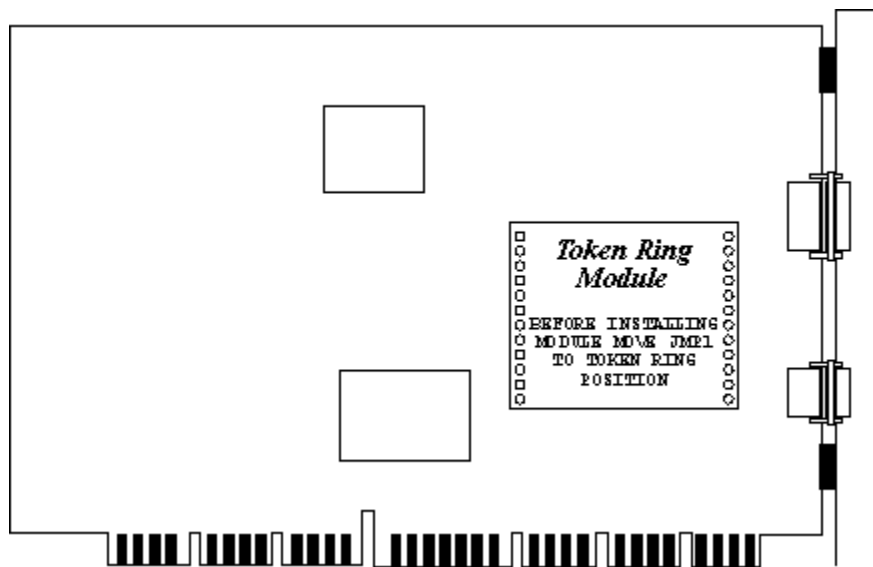
COMPAQ 32-Bit NetFlex Controller

Cabling for this Adapter

Thick Ethernet via AUI Connector

Shielded Twisted Pair (IBM Type 1) via DB-9 Connector

Compaq 32-Bit NetFlex With Token Ring



Note: The default setting for the NetFlex is 10BASET (Ethernet). To select Token-Ring, Network Type, and speed, as well as other options, choose View Edit Details in the COMPAQ EISA Configuration Utility

Setup Choice for Windows NT 3.1

COMPAQ 32-Bit NetFlex Controller

Cabling for this Adapter

Thick Ethernet via AUI Connector

Shielded Twisted Pair (IBM Type 1) via DB-9 Connector

DCA

Windows NT Adapter help currently includes the following DCA network cards:

DCA 10 Mb MCA

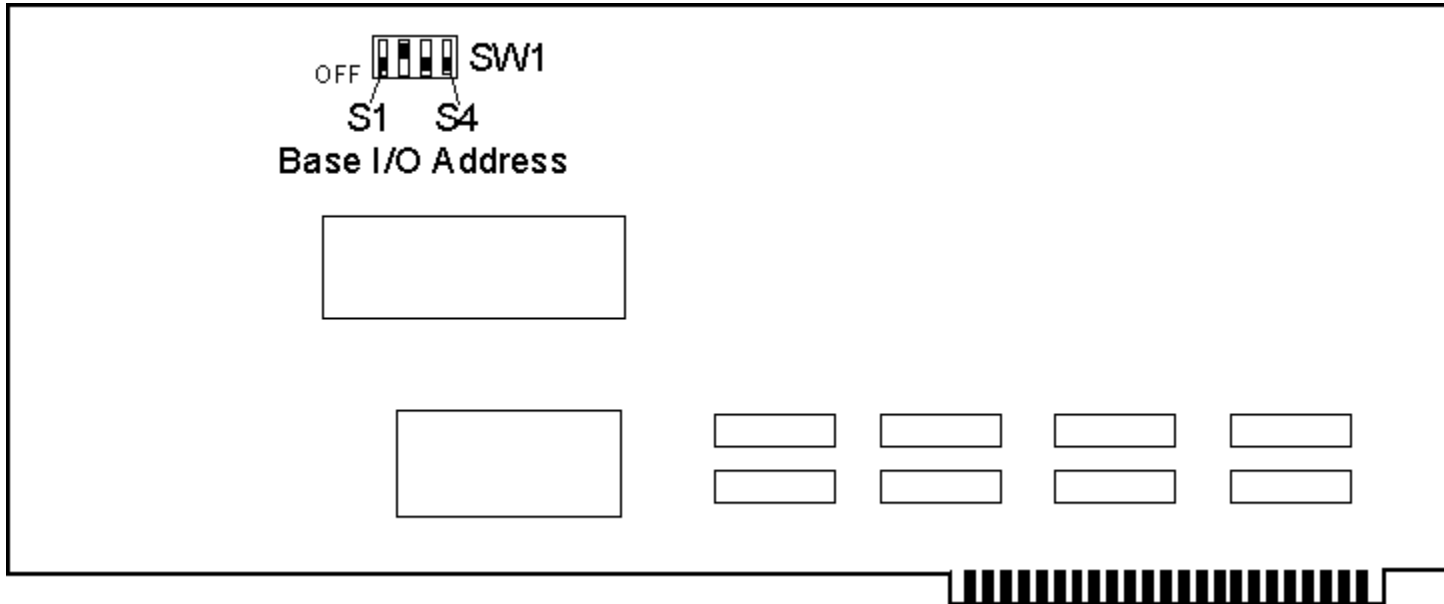
DCA 10 Mb Twisted Pair

DCA 10 Mb MCA

This Network Adapter card is configured using the 'Reference Disk' provided with your Micro-Channel System. For further information consult the documentation provided with the Network Adapter or contact your vendor.

Setup Choice for Windows NT 3.1

DCA 10 Mb Twisted Pair



This is the DCA 10 Mb Twisted Pair Network Adapter card shown. Listed below are the possible Interrupt Request Line (IRQ), Base I/O Address, and Base Memory Address jumper/switch configurations:

Setup Choice for Windows NT 3.1

Interrupt Request Line (IRQ)

SOFTWARE CONFIGURABLE

Default - IRQ3

Base I/O Address

	SW1			
	S1	S2	S3	S4
300h	OFF	OFF	OFF	OFF
310h	ON	OFF	OFF	OFF
330h	OFF	ON	OFF	OFF
350h	ON	ON	OFF	OFF

Base Memory Address

SOFTWARE CONFIGURABLE

Default - D000h

DEC

Windows NT Adapter help currently includes the following DEC network cards:

DEC DEPCA

DEC EtherWorks LC

DEC EtherWorks LC/TP

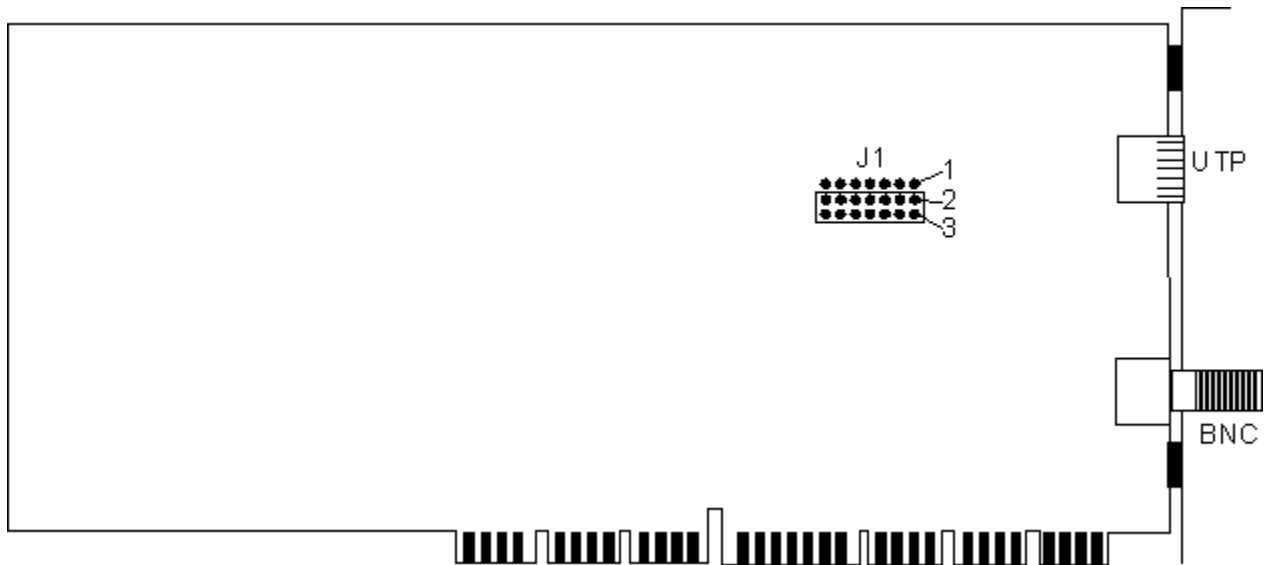
DEC EtherWorks Turbo

DEC EtherWorks Turbo/TP

DEC EtherWorks Turbo/TP_BNC

DEC EtherWorks EISA/TP_BNC

DEC Etherworks EISA /TP_BNC



This is the DEC Etherworks EISA/TP_BNC Network Adapter card shown. Listed below are the possible Interrupt Request Line (IRQ), Base I/O Address, and Base Memory Address jumper/switch configurations:

Setup Choice for Windows NT 3.1

DEC EtherWORKS DEPCA

AUI/TP Jumper J1

	1	2	3
BNC	OFF	ON	ON
TP	ON	ON	OFF

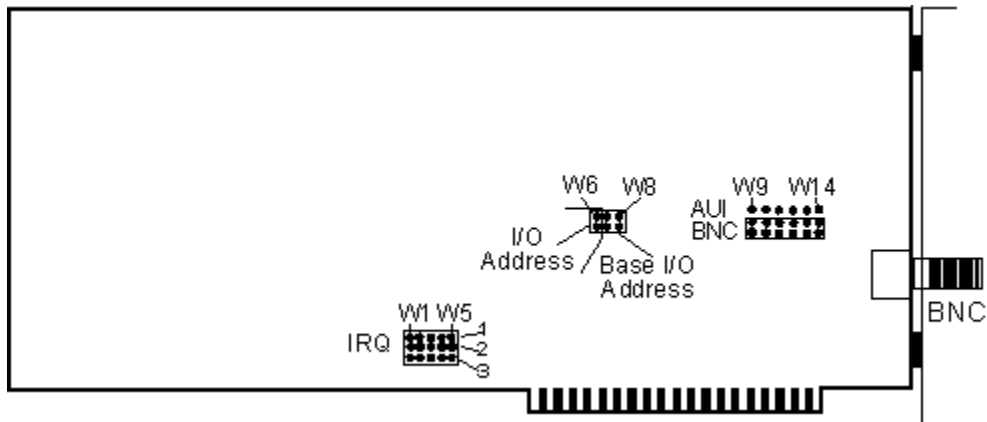
Note - 1, 2, and 3 represent rows of pins that the block jumper fits on (only two of the rows at a time).

Cabling for this Adapter

Thin Ethernet via BNC Connector

Unshielded Twisted Pair via RJ-45 Connector

DEC DEPCA



This is the DEC DEPCA Network Adapter card shown. Listed below are the possible Interrupt Request Line (IRQ), Base I/O Address, and Base Memory Address jumper/switch configurations:

Setup Choice for Windows NT 3.1

DEC EtherWORKS DEPCA

Note1: - A DEC EtherWORKS DEPCA network adapter might use conflicting memory addresses, for example addresses might conflict with Adaptec or Future Domain SCSI adapters. This requires re-configuring the hardware by changing jumpers.

Interrupt Request Line (IRQ)

	W1	W2	W3	W4	W5
IRQ2	2-3	OFF	OFF	OFF	OFF
IRQ3	OFF	2-3	OFF	OFF	OFF
IRQ4	OFF	OFF	2-3	OFF	OFF
IRQ5	OFF	OFF	OFF	2-3	OFF
IRQ7	OFF	OFF	OFF	OFF	2-3

Base I/O Address

	W6
200h	OFF
300h	ON

Base Memory Address - 64K BUFFER (Rev. E Only)

	W7	W8
D000h	ON	ON
E000h	OFF	ON

Base Memory Address - 32K BUFFER (Rev. E Only)

	W7	W8
C800h	OFF	OFF
D800h	ON	OFF

Base Memory Address - 64K BUFFER (Rev. D Only)

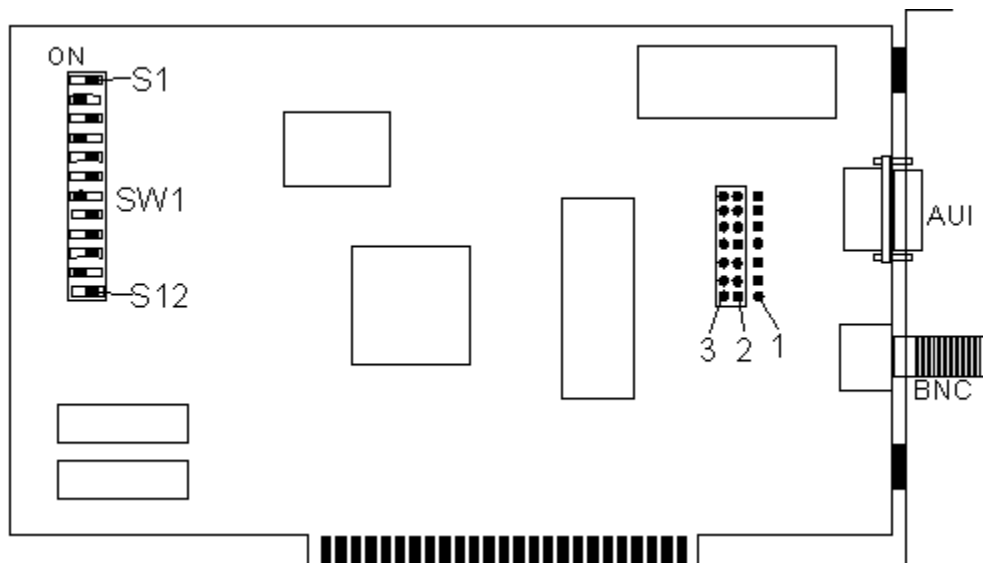
	W7
D000h	ON

E000h OFF

Cabling for this Adapter

Thin Ethernet via BNC Connector

DEC Etherworks LC



This is the DEC Etherworks LC Network Adapter card shown. Listed below are the possible Interrupt Request Line (IRQ), Base I/O Address, and Base Memory Address jumper/switch configurations:

Setup Choice for Windows NT 3.1

DEC EtherWORKS LC Adapter

Note1: - A DEC EtherWORKS LC network adapter might use conflicting memory addresses, for example addresses might conflict with Adaptec or Future Domain SCSI adapters. This requires re-configuring the hardware by changing jumpers.

Interrupt Request Line (IRQ)

	S8	S9	S10	S11	S12
IRQ2	ON	OFF	OFF	OFF	OFF
IRQ3	OFF	ON	OFF	OFF	OFF
IRQ4	OFF	OFF	ON	OFF	OFF
IRQ5	OFF	OFF	OFF	ON	OFF
IRQ7	OFF	OFF	OFF	OFF	ON

Base I/O Address

	S5
200h	OFF
300h	ON

Base Memory Address - 64K BUFFER

	S1	S2	S3	S4
C000h	OFF	ON	ON	ON
D000h	ON	ON	ON	ON
E000h	OFF	OFF	ON	ON

Base Memory Address - 32K BUFFER

	S1	S2	S3	S4
C800h	OFF	ON	OFF	ON

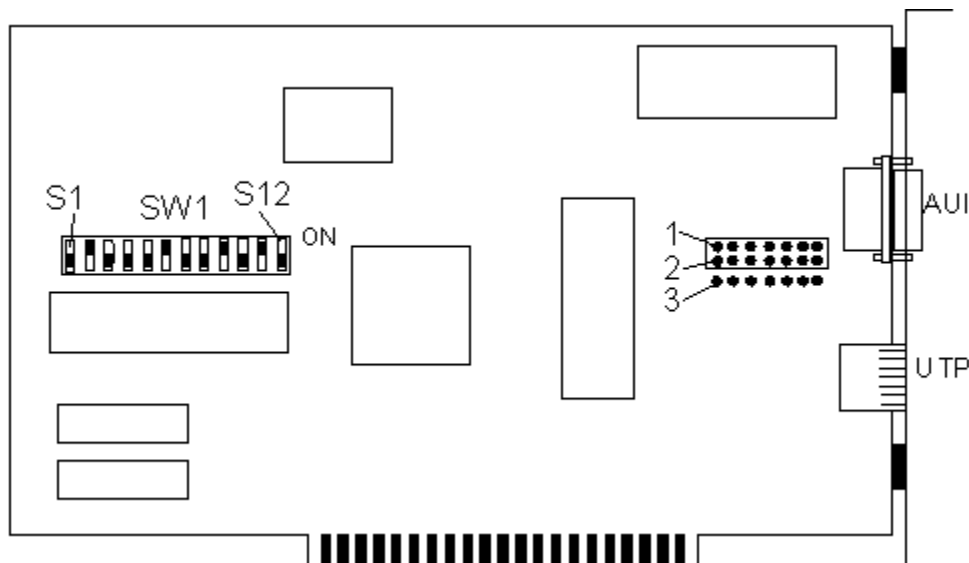
D800h	ON	ON	OFF	ON
E800h	OFF	OFF	OFF	ON

Cabling for this Adapter

Thick Ethernet via AUI Connector

Thin Ethernet via BNC Connector

DEC Etherworks LC/TP



This is the DEC Etherworks LC/TP Network Adapter card shown. Listed below are the possible Interrupt Request Line (IRQ), Base I/O Address, and Base Memory Address jumper/switch configurations:

Setup Choice for Windows NT 3.1

DEC EtherWORKS Turbo/LC Adapter

Note1: - A DEC EtherWORKS Turbo /LC network adapter might use conflicting memory addresses, for example addresses might conflict with Adaptec or Future Domain SCSI adapters. This requires re-configuring the hardware by changing jumpers.

Interrupt Request Line (IRQ)

	S8	S9	S10	S11	S12
IRQ2	ON	OFF	OFF	OFF	OFF
IRQ3	OFF	ON	OFF	OFF	OFF
IRQ4	OFF	OFF	ON	OFF	OFF
IRQ5	OFF	OFF	OFF	ON	OFF
IRQ7	OFF	OFF	OFF	OFF	ON

Base I/O Address

	S5
200h	OFF
300h	ON

Base Memory Address - 64K BUFFER

	S1	S2	S3	S4
C000h	OFF	ON	ON	ON
D000h	ON	ON	ON	ON
E000h	OFF	OFF	ON	ON

Base Memory Address - 32K BUFFER

	S1	S2	S3	S4
C800h	OFF	ON	OFF	ON

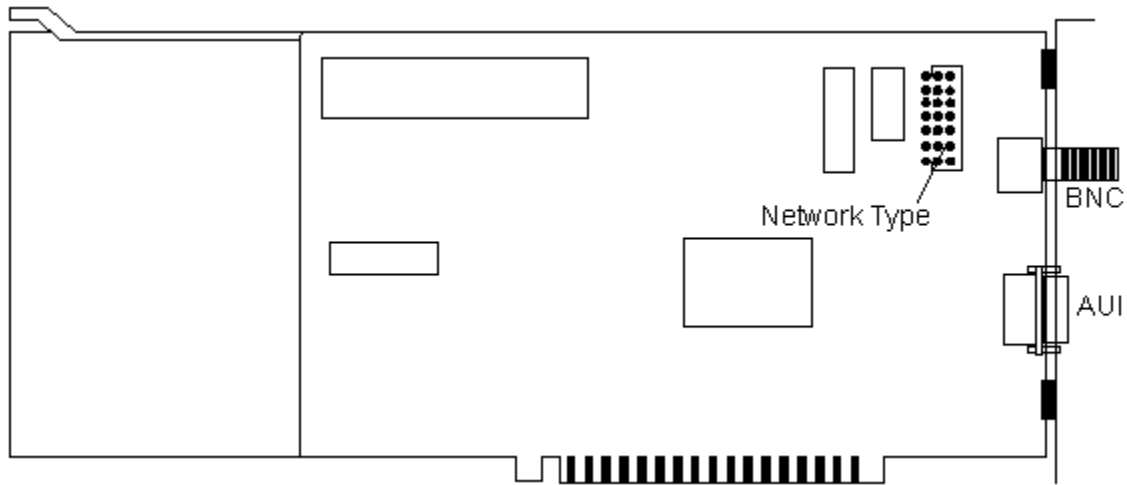
D800h	ON	ON	OFF	ON
E800h	OFF	OFF	OFF	ON

Cabling for this Adapter

Thick Ethernet via AUI Connector

Unshielded Twisted Pair via RJ-45 Connector

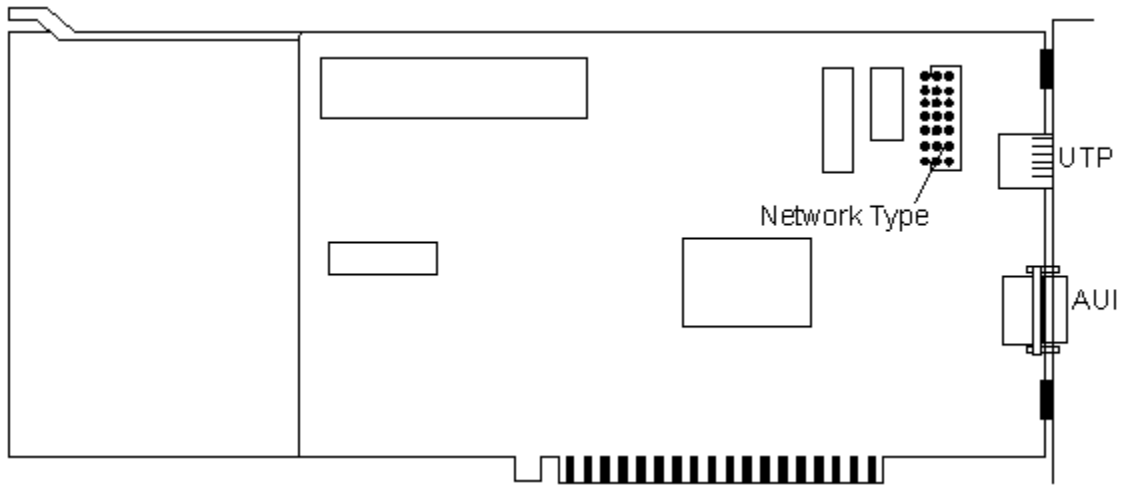
DEC Etherworks MC



Setup Choice for Windows NT 3.1

This Network Adapter card is configured using the 'Reference Disk' provided with your Micro-Channel System. For further information consult the documentation provided with the Network Adapter or contact your vendor.

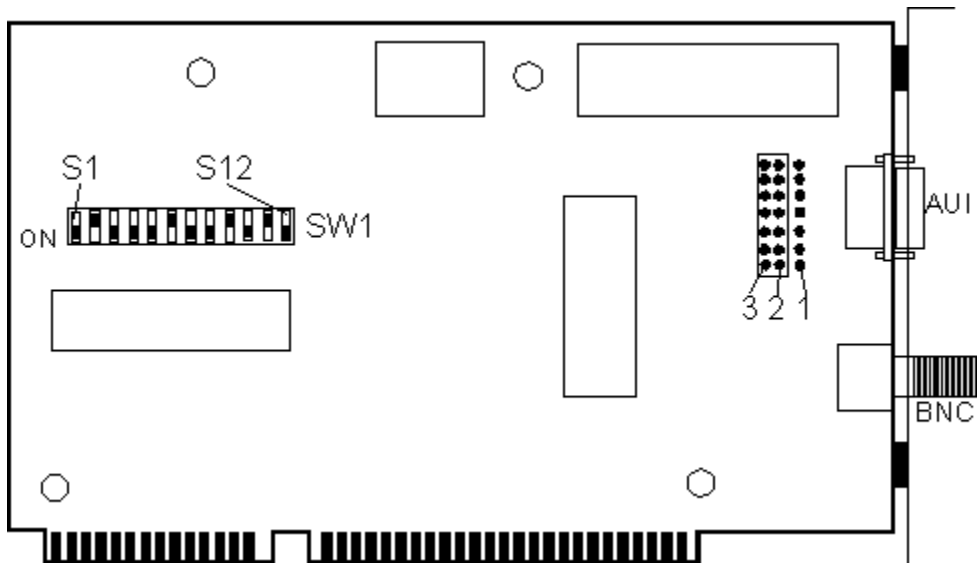
DEC Etherworks MC/TP_BNC



This Network Adapter card is configured using the 'Reference Disk' provided with your Micro-Channel System. For further information consult the documentation provided with the Network Adapter or contact your vendor.

Setup Choice for Windows NT 3.1

DEC Etherworks Turbo



This is the DEC Etherworks Turbo Network Adapter card shown. Listed below are the possible Interrupt Request Line (IRQ), Base I/O Address, and Base Memory Address jumper/switch configurations:

Setup Choice for Windows NT 3.1

DEC EtherWORKS Turbo Adapter

Note1: - A DEC EtherWORKS Turbo network adapter might use conflicting memory addresses, for example addresses might conflict with Adaptec or Future Domain SCSI adapters. This requires re-configuring the hardware by changing jumpers.

Interrupt Request Line (IRQ)

	S8	S9	S10	S11	S12
IRQ5	ON	OFF	OFF	OFF	OFF
IRQ9	OFF	ON	OFF	OFF	OFF
IRQ10	OFF	OFF	ON	OFF	OFF
IRQ11	OFF	OFF	OFF	ON	OFF
IRQ15	OFF	OFF	OFF	OFF	ON

Base I/O Address

	S5
200h	OFF
300h	ON

Base Memory Address - 64K BUFFER

	S1	S2	S3	S4
C000h	ON	ON	ON	ON
D000h	ON	OFF	ON	ON
E000h	OFF	ON	ON	ON

Base Memory Address - 32K BUFFER

	S1	S2	S3	S4
C800h	ON	ON	OFF	OFF

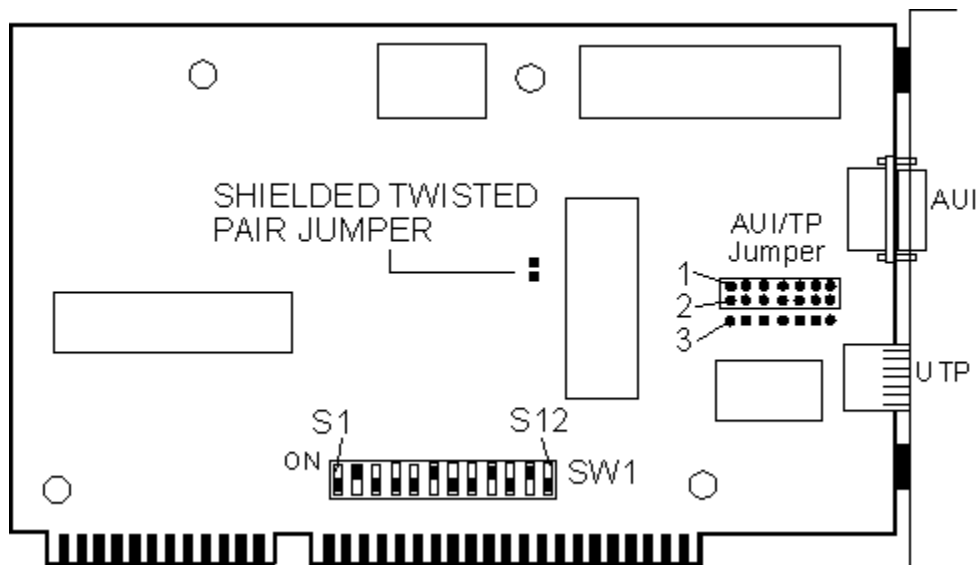
D800h	ON	OFF	OFF	OFF
E800h	OFF	ON	OFF	OFF

Cabling for this Adapter

Thick Ethernet via AUI Connector

Thin Ethernet via BNC Connector

DEC Etherworks Turbo/TP



This is the DEC Etherworks Turbo/TP Network Adapter card shown. Listed below are the possible Interrupt Request Line (IRQ), Base I/O Address, and Base Memory Address jumper/switch configurations:

Setup Choice for Windows NT 3.1

Note1: - A DEC EtherWORKS Turbo /TP network adapter might use conflicting memory addresses, for example addresses might conflict with Adaptec or Future Domain SCSI adapters. This requires re-configuring the hardware by changing jumpers.

Interrupt Request Line (IRQ)

	S8	S9	S10	S11	S12
IRQ5	ON	OFF	OFF	OFF	OFF
IRQ9	OFF	ON	OFF	OFF	OFF
IRQ10	OFF	OFF	ON	OFF	OFF
IRQ11	OFF	OFF	OFF	ON	OFF
IRQ15	OFF	OFF	OFF	OFF	ON

Base I/O Address

	S5
200h	OFF
300h	ON

Base Memory Address - 64K BUFFER

	S1	S2	S3	S4
C000h	ON	ON	ON	ON
D000h	ON	OFF	ON	ON
E000h	OFF	ON	ON	ON

Base Memory Address - 32K BUFFER

	S1	S2	S3	S4
C800h	ON	ON	OFF	OFF
D800h	ON	OFF	OFF	OFF

E800h OFF ON OFF OFF

AUI/TP Jumper

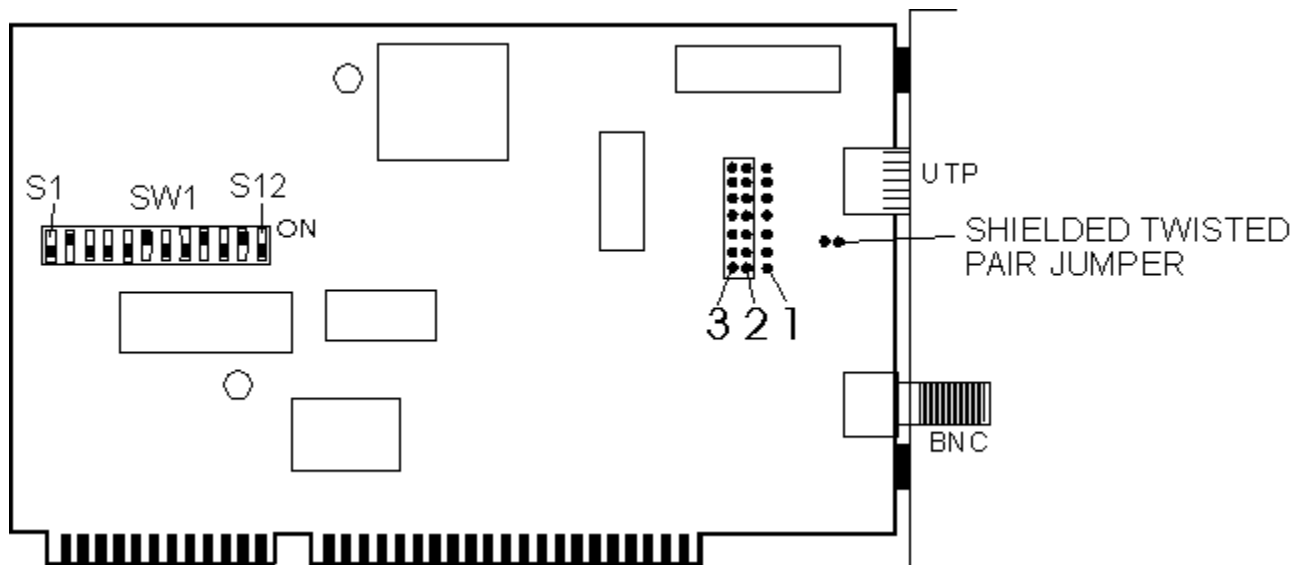
	1	2	3
AUI	ON	ON	OFF
TP	OFF	ON	ON

Note - 1, 2, and 3 represent rows of pins that the block jumper fits on (only two of the rows at a time).

Cabling for this Adapter

- Thick Ethernet via AUI Connector
- Unshielded Twisted Pair via RJ-45 Connector

DEC Etherworks Turbo/TP_BNC



This is the DEC Etherworks Turbo/TP_BNC Network Adapter card shown. Listed below are the possible Interrupt Request Line (IRQ), Base I/O Address, and Base Memory Address jumper/switch configurations:

Note1: - A DEC EtherWORKS Turbo /TP BNC network adapter might use conflicting memory addresses, for example addresses might conflict with Adaptec or Future Domain SCSI adapters. This requires re-configuring the hardware by changing jumpers.

Interrupt Request Line (IRQ)

	S8	S9	S10	S11	S12
IRQ5	ON	OFF	OFF	OFF	OFF
IRQ9	OFF	ON	OFF	OFF	OFF
IRQ10	OFF	OFF	ON	OFF	OFF
IRQ11	OFF	OFF	OFF	ON	OFF
IRQ15	OFF	OFF	OFF	OFF	ON

Base I/O Address

	S5
200h	OFF
300h	ON

Base Memory Address - 64K BUFFER

	S1	S2	S3	S4
C000h	ON	ON	ON	ON
D000h	ON	OFF	ON	ON
E000h	OFF	ON	ON	ON

Base Memory Address - 32K BUFFER

	S1	S2	S3	S4
C800h	ON	ON	OFF	OFF
D800h	ON	OFF	OFF	OFF
E800h	OFF	ON	OFF	OFF

Cabling for this Adapter

Unshielded Twisted Pair via RJ-45 Connector

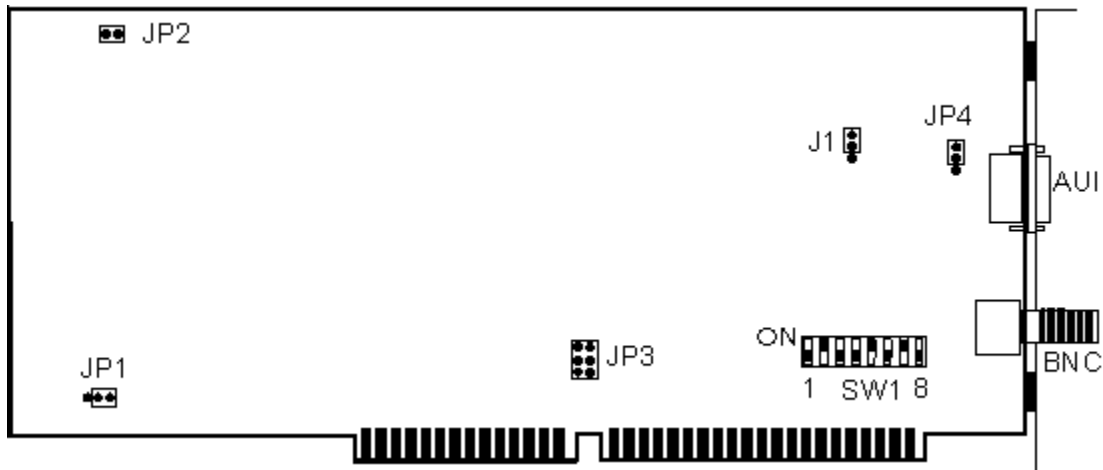
Thin Ethernet via BNC Connector

Everex

Windows NT Adapter help currently includes the following Everex network cards:

Everex Speedlink /PC16

Everex Speedlink /PC16



This is the Everex Speedlink /PC16 Network Adapter card shown. Listed below are the possible Interrupt Request Line (IRQ), Base I/O Address, and Base Memory Address jumper/switch configurations:

Setup Choice for Windows NT 3.1

Interrupt Request Line (IRQ)
SOFTWARE CONFIGURABLE

Interrupt Request Line (IRQ)
Default - IRQ4

I/O BASE ADDRESS

	SW1							
	S1	S2	S3	S4	S5	S6	S7	S8
340h	ON	ON	ON	ON	OFF	ON	OFF	OFF
348h	ON	OFF	ON	ON	OFF	ON	OFF	OFF
350h	ON	ON	OFF	ON	OFF	ON	OFF	OFF
358h	ON	OFF	OFF	ON	OFF	ON	OFF	OFF
360h	ON	ON	ON	OFF	OFF	ON	OFF	OFF
368h	ON	OFF	ON	OFF	OFF	ON	OFF	OFF
370h	ON	ON	OFF	OFF	OFF	ON	OFF	OFF
378h	ON	OFF	OFF	OFF	OFF	ON	OFF	OFF
390h	ON	ON	OFF	ON	ON	OFF	OFF	OFF
398h	ON	OFF	OFF	ON	ON	OFF	OFF	OFF

Base Memory Address
NOT USED

HP

Windows NT Adapter help currently includes the following HP network cards:

HP MC LAN Adapter/16 TP (HP27246A)

HP PC LAN Adapter/8 TL (HP27250A)

HP PC LAN Adapter/8 TP (HP27245A)

HP PC LAN Adapter/16 TP HP(27247A)

HP PC LAN Adapter/16 TL Plus (HP27252A)

HP PC LAN Adapter/16 TP Plus (HP27247B)

HP StarLAN Adapter

HP StarLAN MCA Adapter

HP MC LAN Adapter/16 TP

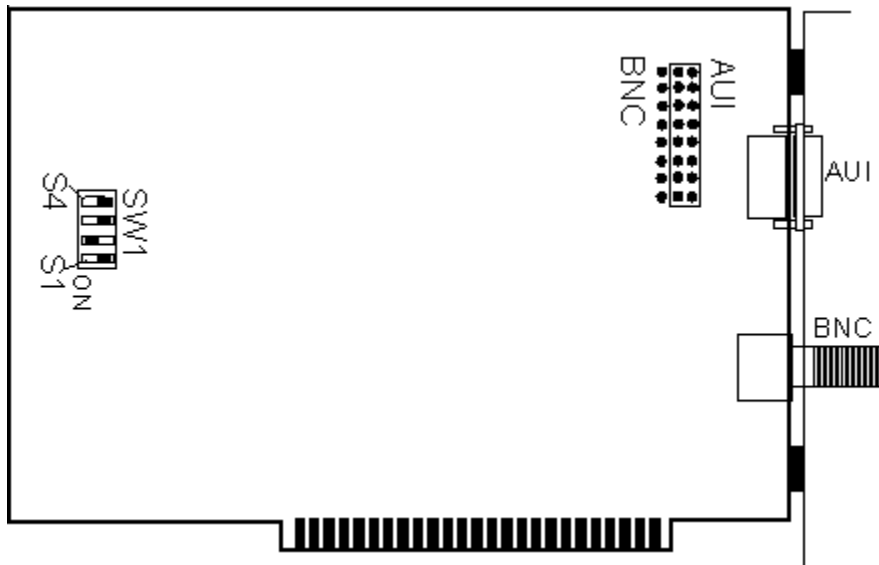
This Network Adapter card is configured using the 'Reference Disk' provided with your Micro-Channel System. For further information consult the documentation provided with the Network Adapter or contact your vendor.

Setup Choice for Windows NT 3.1

Cabling for this Adapter

Unshielded Twisted Pair via RJ-45 Connector

HP PC LAN Adapter/8 TL



This is the HP PC LAN Adapter/8 TL Network Adapter card shown. Listed below are the possible Interrupt Request Line (IRQ), Base I/O Address, and Base Memory Address jumper/switch configurations:

Setup Choice for Windows NT 3.1

Interrupt Request Line (IRQ)

SOFTWARE CONFIGURABLE

Default - IRQ3

Base I/O Address

	SW1		
	S1	S2	S3
200h	OFF	OFF	OFF
240h	OFF	OFF	ON
280h	OFF	ON	OFF
2C0h	OFF	ON	ON
300h	ON	OFF	OFF
320h	ON	OFF	ON
340h	ON	ON	OFF

Base Memory Address

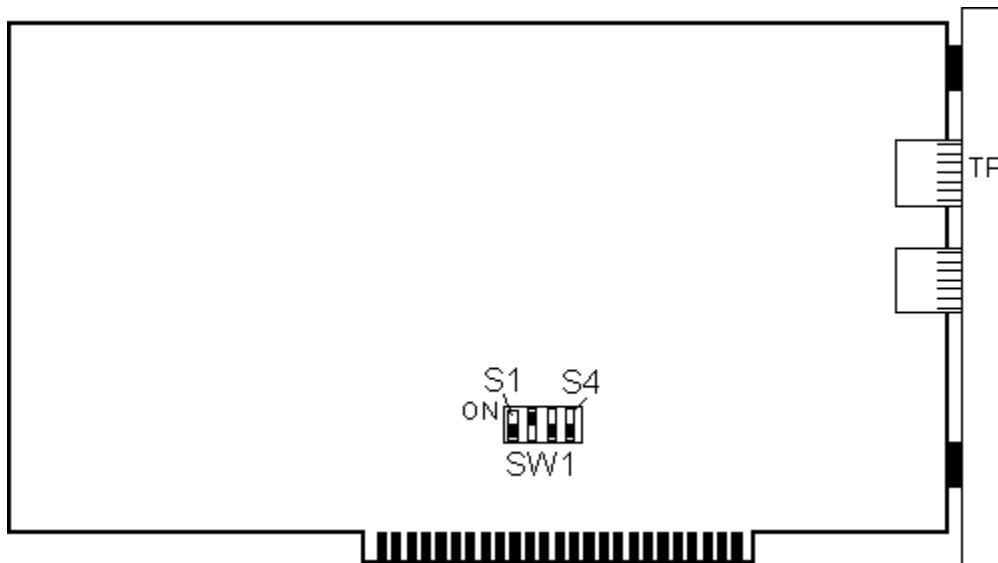
NOT USED

Cabling for this Adapter

Thick Ethernet via AUI Connector

Thin Ethernet via BNC Connector

HP PC LAN Adapter/8 TP



This is the HP PC LAN Adapter/8 TP Network Adapter card shown. Listed below are the possible Interrupt Request Line (IRQ), Base I/O Address, and Base Memory Address jumper/switch configurations:

Setup Choice for Windows NT 3.1

Interrupt Request Line (IRQ)

SOFTWARE CONFIGURABLE

Base I/O Address

	SW1		
	S1	S2	S3
200h	OFF	OFF	OFF
240h	OFF	OFF	ON
280h	OFF	ON	OFF
2C0h	OFF	ON	ON
300h	ON	OFF	OFF
320h	ON	OFF	ON
340h	ON	ON	OFF

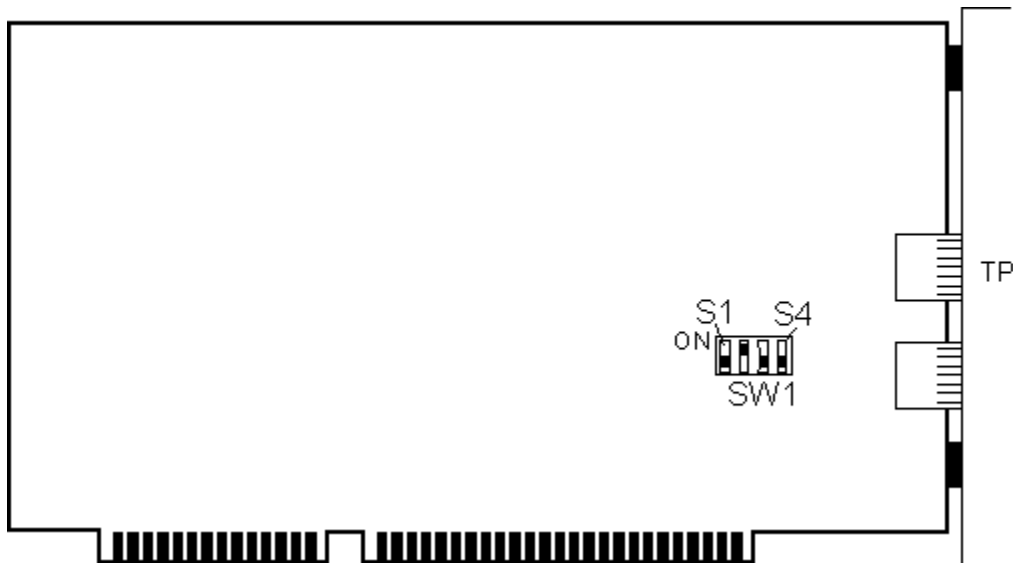
Base Memory Address

NOT USED

Cabling for this Adapter

Unshielded Twisted Pair via RJ-45 Connector

HP PC LAN Adapter/16 TP



This is the HP PC LAN Adapter/16 TP Network Adapter card shown. Listed below are the possible Interrupt Request Line (IRQ), Base I/O Address, and Base Memory Address jumper/switch configurations:

Setup Choice for Windows NT 3.1

Interrupt Request Line (IRQ)

SOFTWARE CONFIGURABLE

Default - IRQ3

Base I/O Address

	SW1		
	S1	S2	S3
200h	OFF	OFF	OFF
240h	OFF	OFF	ON
280h	OFF	ON	OFF
2C0h	OFF	ON	ON
300h	ON	OFF	OFF
320h	ON	OFF	ON
340h	ON	ON	OFF

Base Memory Address

NOT USED

Cabling for this Adapter

Unshielded Twisted Pair via RJ-45 Connector

HP PC LAN Adapter/16 TL Plus

This Network Adapter card can be configured using the software supplied by the manufacturer. Please consult the documentation that came with your Network Adapter or contact the manufacturer of the Network Adapter for further information.

Setup Choice for Windows NT 3.1

Cabling for this Adapter

Thick Ethernet via AUI Connector

Thin Ethernet via BNC Connector

HP PC LAN Adapter/16 TP Plus

This Network Adapter card can be configured using the software supplied by the manufacturer. Please consult the documentation that came with your Network Adapter or contact the manufacturer of the Network Adapter for further information.

Setup Choice for Windows NT 3.1

Interrupt Request Line (IRQ)

Default - IRQ3

Base I/O Address

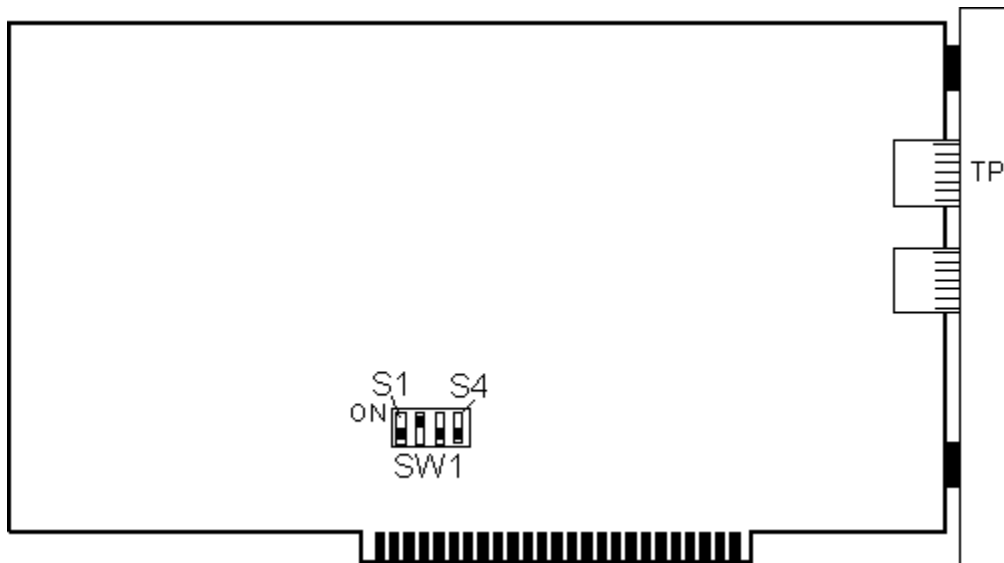
Default - 300h

Cabling for this Adapter

Thick Ethernet via AUI Connector

Unshielded Twisted Pair via RJ-45 Connector

HP StarLAN Adapter



This is the HP StarLAN Adapter Network Adapter card shown. Listed below are the possible Interrupt Request Line (IRQ), Base I/O Address, and Base Memory Address jumper/switch configurations:

Setup Choice for Windows NT 3.1

Interrupt Request Line (IRQ)

SOFTWARE CONFIGURABLE

Base I/O Address

	SW1		
	S1	S2	S3
200h	OFF	OFF	OFF
240h	OFF	OFF	ON
280h	OFF	ON	OFF
2C0h	OFF	ON	ON
300h	ON	OFF	OFF
320h	ON	OFF	ON
340h	ON	ON	OFF

Base Memory Address

NOT USED

Cabling for this Adapter

Unshielded Twisted Pair via RJ-45 Connector

HP StarLAN MCA Adapter

This Network Adapter card is configured using the 'Reference Disk' provided with your Micro-Channel System. For further information consult the documentation provided with the Network Adapter or contact your vendor.

Setup Choice for Windows NT 3.1

Interrupt Request Line (IRQ)

Default - IRQ3

Base I/O Address

Default - 400h

Cabling for this Adapter

Unshielded Twisted Pair via RJ-45 Connector

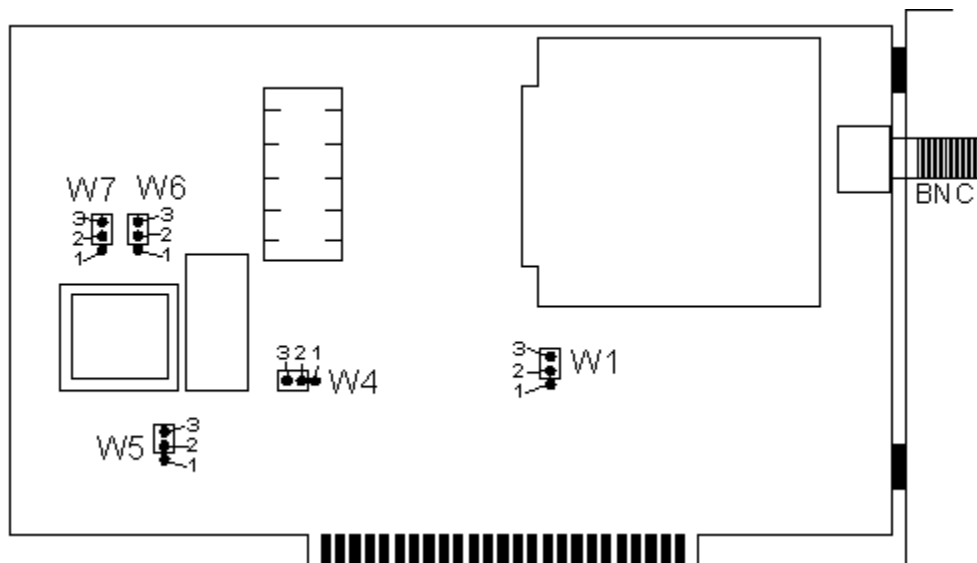
IBM

Windows NT Adapter help currently includes the following IBM network cards:

IBM Token Ring 16/4Mbps

IBM Token Ring 16/4Mbps (MCA)

IBM PC Network Adapter II



This is the IBM PC Network Adapter II Network Adapter card shown. Listed below are the possible Interrupt Request Line (IRQ), Base I/O Address, and Base Memory Address jumper/switch configurations:

Setup Choice for Windows NT 3.1

Interrupt Request Line (IRQ)

W1
IRQ2 1-2
IRQ3 2-3

Base I/O Address

W4
620h 1-2
628h 2-3

Base Memory Address

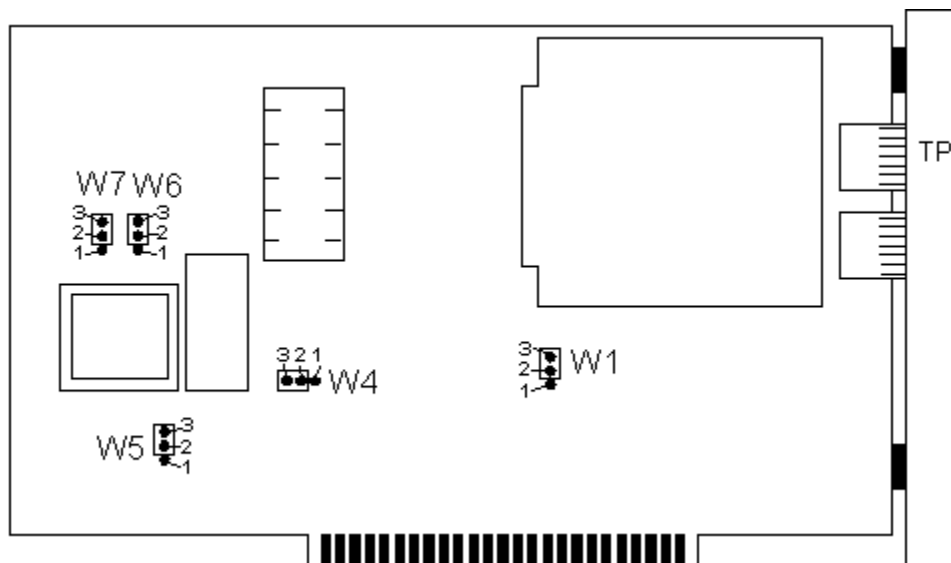
W5
CC00h 1-2
DC00h 2-3

IBM PC Network Adapter II/A

This Network Adapter card is configured using the 'Reference Disk' provided with your Micro-Channel System. For further information consult the documentation provided with the Network Adapter or contact your vendor.

Setup Choice for Windows NT 3.1

IBM PC Network Baseband Adapter



This is the IBM PC Network Baseband Network Adapter card shown. Listed below are the possible Interrupt Request Line (IRQ), Base I/O Address, and Base Memory Address jumper/switch configurations:

Setup Choice for Windows NT 3.1

Interrupt Request Line (IRQ)

W1
IRQ2 1-2
IRQ3 2-3

Base I/O Address

W4
620h 1-2
628h 2-3

Base Memory Address

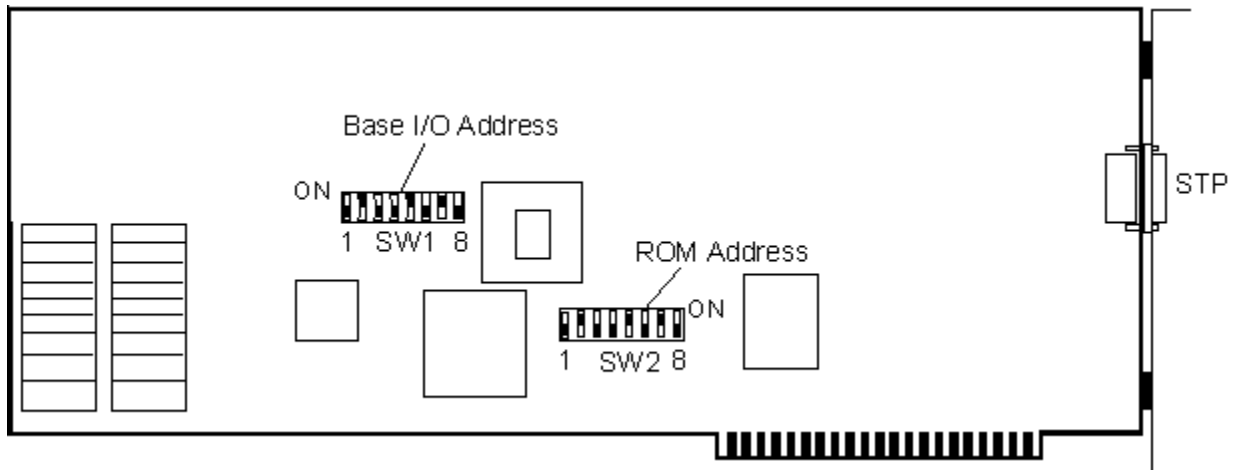
W5
CC00h 1-2
DC00h 2-3

IBM PC Network Baseband Adapter/A

This Network Adapter card is configured using the 'Reference Disk' provided with your Micro-Channel System. For further information consult the documentation provided with the Network Adapter or contact your vendor.

Setup Choice for Windows NT 3.1

IBM Token Ring



This is the IBM Token Ring Network Adapter card shown. Listed below are the possible Interrupt Request Line (IRQ), Base I/O Address, and Base Memory Address jumper/switch configurations:

Setup Choice for Windows NT 3.1

Interrupt Request Line (IRQ)

	SW1	
	S7	S8
IRQ2	ON	ON
IRQ3	ON	OFF
IRQ7	OFF	OFF

Base I/O Address

	SW2	
	S2	
0A20h	OFF	
0A24h	ON	

Base Memory Address

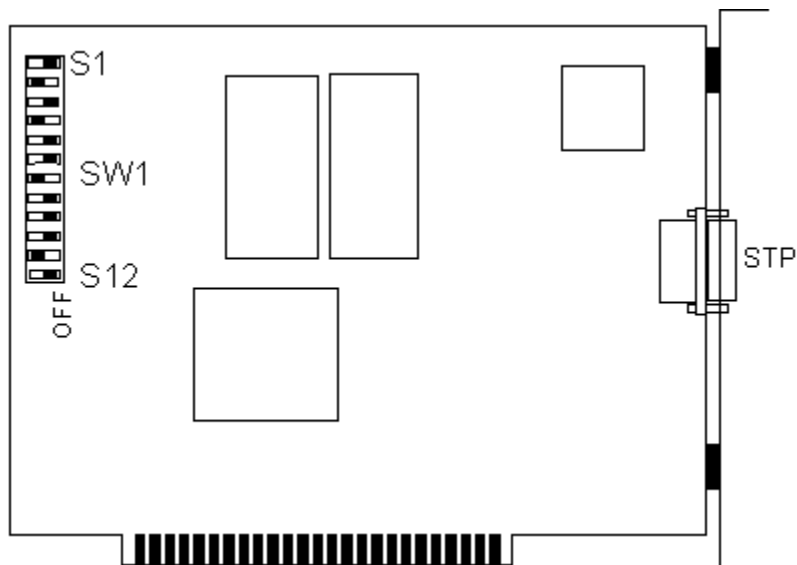
NOT USED

IBM Token Ring (MCA)

This Network Adapter card is configured using the 'Reference Disk' provided with your Micro-Channel System. For further information consult the documentation provided with the Network Adapter or contact your vendor.

Setup Choice for Windows NT 3.1

IBM Token Ring II



This is the IBM Token Ring II Network Adapter card shown. Listed below are the possible Interrupt Request Line (IRQ), Base I/O Address, and Base Memory Address jumper/switch configurations:

Setup Choice for Windows NT 3.1

Interrupt Request Line (IRQ)

	SW1	
	S7	S8
IRQ2	ON	ON
IRQ3	ON	OFF
IRQ7	OFF	OFF

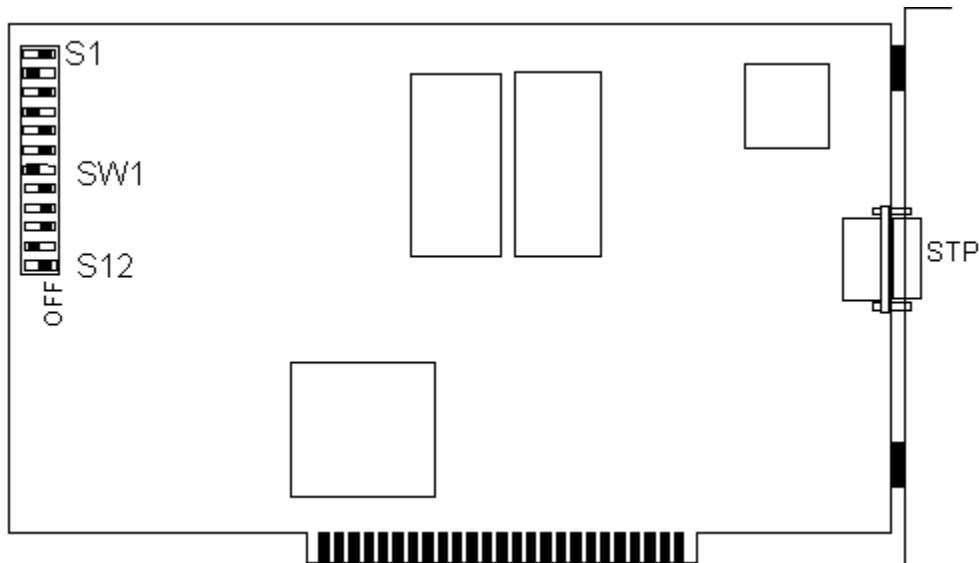
Base I/O Address

	SW1
	S9
0A20h	ON
0A24h	OFF

Base Memory Address

SOFTWARE CONFIGURABLE

IBM Token Ring 16/4Mbs



This is the IBM Token Ring 16/4Mbs Network Adapter card shown. Listed below are the possible Interrupt Request Line (IRQ), Base I/O Address, and Base Memory Address jumper/switch configurations:

Note1: - The Base Memory Address is the beginning of shared memory. The adapter will then use the next 0x2000 bytes. Skip to a memory boundary that is aligned with Memory Size.

IE. 64K of shared space and setting the base address to 0xD8000. The MMIO region (the 0x2000) will go from 0xD8000-0xD9FFF. 0xDA000 is not 64K aligned. The next 64K boundary is at 0xE0000, so the 64K of shared ram will go from 0xE0000-0xEFFFF. Thus the IBMTOK uses *2* mapped regions.

Setup Choice for Windows NT 3.1

IBM Token Ring Adapter

Interrupt Request Line (IRQ)

	SW1	
	S7	S8
IRQ2	ON	ON
IRQ3	ON	OFF
IRQ6	OFF	ON
IRQ7	OFF	OFF

Base I/O Address

	SW1	
	S9	
0A20h	ON	
0A24h	OFF	

Base Memory Address

	SW1					
	S1	S2	S3	S4	S5	S6
C000h	OFF	ON	ON	ON	ON	ON

C200h	OFF	ON	ON	ON	ON	OFF
C400h	OFF	ON	ON	ON	OFF	ON
C600h	OFF	ON	ON	ON	OFF	OFF
C800h	OFF	ON	ON	OFF	ON	ON
CA00h	OFF	ON	ON	OFF	ON	OFF
CC00h	OFF	ON	ON	OFF	OFF	ON
CE00h	OFF	ON	ON	OFF	OFF	OFF
D000h	OFF	ON	OFF	ON	ON	ON
D200h	OFF	ON	OFF	ON	ON	OFF
D400h	OFF	ON	OFF	ON	OFF	ON
D600h	OFF	ON	OFF	ON	OFF	OFF
D800h	OFF	ON	OFF	OFF	ON	ON
DA00h	OFF	ON	OFF	OFF	ON	OFF
DC00h	OFF	ON	OFF	OFF	OFF	ON
DE00h	OFF	ON	OFF	OFF	OFF	OFF

Cabling for this Adapter

Shielded Twisted Pair (IBM Type 1) via DB-9 Connector

IBM Token Ring 16/4Mbs (MCA)

This Network Adapter card is configured using the 'Reference Disk' provided with your Micro-Channel System. For further information consult the documentation provided with the Network Adapter or contact your vendor.

Note1: - The Base Memory Address is the beginning of shared memory. The adapter will then use the next 0x2000 bytes. Skip to a memory boundary that is aligned with Memory Size.

IE. 64K of shared space and setting the base address to 0xD8000. The MMIO region (the 0x2000) will go from 0xD8000-0xD9FFF. 0xDA000 is not 64K aligned. The next 64K boundary is at 0xE0000, so the 64K of shared ram will go from 0xE0000-0xEFFFF. Thus the IBMTOK uses *2* mapped regions.

Setup Choice for Windows NT 3.1

IBM Token Ring Adapter /A

Cabling for this Adapter

Shielded Twisted Pair (IBM Type 1) via DB-9 Connector

Intel

Windows NT Adapter help currently includes the following Intel network cards:

Intel EtherExpress 16

Intel EtherExpress 16

The Intel EtherExpress 16 is software configurable and may be configured through Windows NT Control Panel, Network section. Please consult the installation instructions that came with your Network Adapter for more information.

Setup Choice for Windows NT 3.1

Intel Ether Express 16 LAN Adapter

Note1: - In some cases, selecting "early" in the I/O Channel Ready box can stop the network adapter card from functioning correctly and may require re-configuring with the Intel SoftSet utility. If you are unsure whether your system can take advantage of this network setting, consult your hardware vendor.

Cabling for this Adapter

Thick Ethernet via AUI Connector

Thin Ethernet via BNC Connector

or

Thick Ethernet via AUI Connector

Unshielded Twisted Pair via RJ-45 Connector

on the Intel EtherExpress 16TP

Intel EtherExpress 32

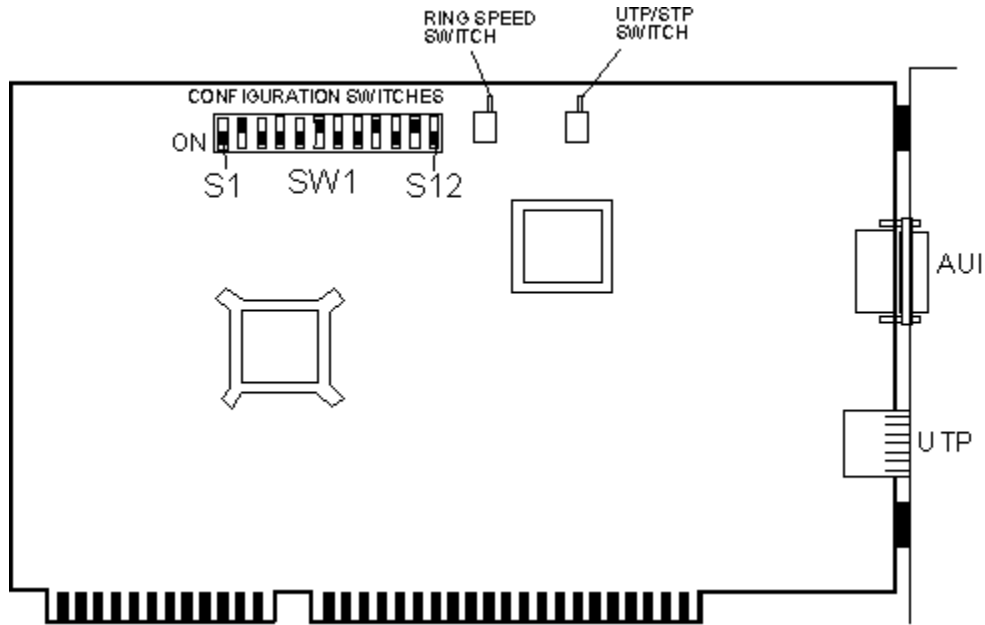
This Network Adapter card can be configured using the software supplied by the manufacturer. Please consult the documentation that came with your Network Adapter or contact the manufacturer of the Network Adapter for further information.

Intel TokenExpress EISA 16/4

This can be configured using the ECU (EISA Configuration Utility) that ships with most EISA systems. For question about use of the ECU, please consult the documentation that came with your system or contact the manufacturer of the system.

Setup Choice for Windows NT 3.1

Intel TokenExpress ISA 16/4



This is the Intel TokenExpress ISA 16/4 Network Adapter card shown. Listed below are the possible Interrupt Request Line (IRQ), Base I/O Address, and Base Memory Address jumper/switch configurations:

Setup Choice for Windows NT 3.1

Interrupt Request Line (IRQ)

	S7	S8
IRQ2/9	ON	ON
IRQ3	ON	OFF
IRQ10	OFF	ON
IRQ11	OFF	OFF

Base I/O Address

	S9	S10
A20h/A30h	OFF	OFF
A24h/A40h	ON	OFF
A50h/A60h	OFF	ON
A54h/A70h	ON	ON

Base Memory Address

NOT USED

Intel TokenExpress MCA 16/4

This Network Adapter card is configured using the 'Reference Disk' provided with your Micro-Channel System. For further information consult the documentation provided with the Network Adapter or contact your vendor.

Setup Choice for Windows NT 3.1

Madge

Windows NT Adapter help currently includes the following Madge network cards:

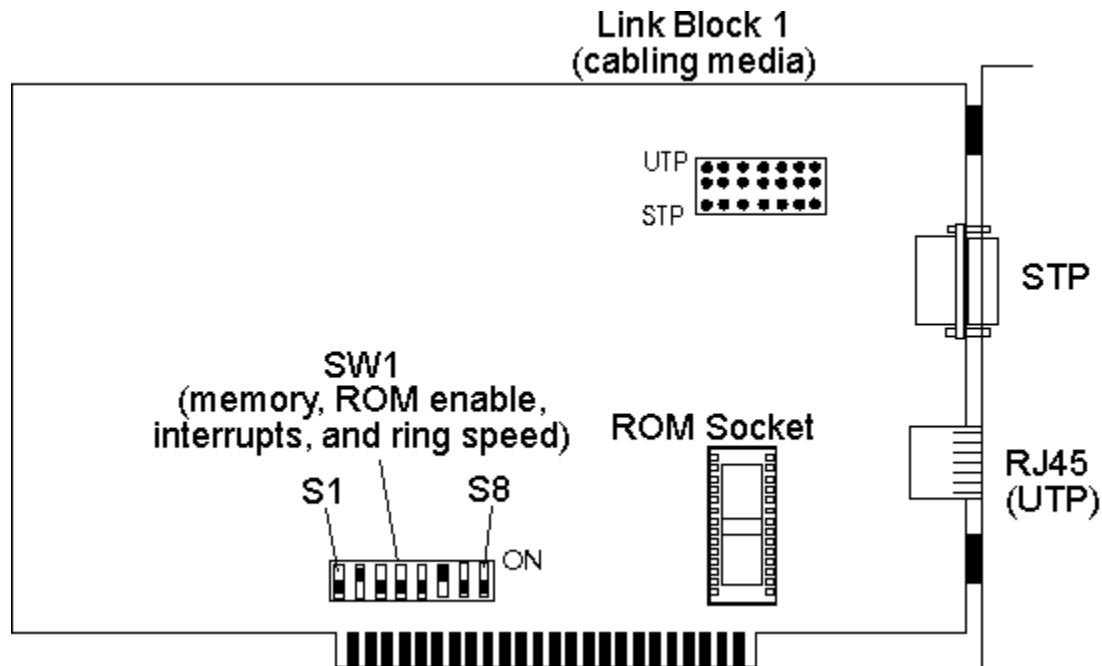
Madge Networks Smart 16/4 XT RingNode

Madge Networks Smart 16/4 AT RingNode

Madge Networks Smart 16/4 EISA RingNode

Madge Networks Smart 16/4 MC RingNode

Madge Networks Smart 16/4 XT RingNode



This is the Madge Networks Smart 16/4 XT RingNode Network Adapter card shown. Listed below are the possible Interrupt Request Line (IRQ), Base I/O Address, and Base Memory Address jumper/switch configurations:

Setup Choice for Windows NT 3.1

Interrupt Request Line (IRQ)

	SW1			
	S4	S5	S6	S7
IRQ2	OFF	OFF	OFF	ON
IRQ3	OFF	OFF	ON	OFF
IRQ5	OFF	ON	OFF	OFF
IRQ7	ON	OFF	OFF	OFF

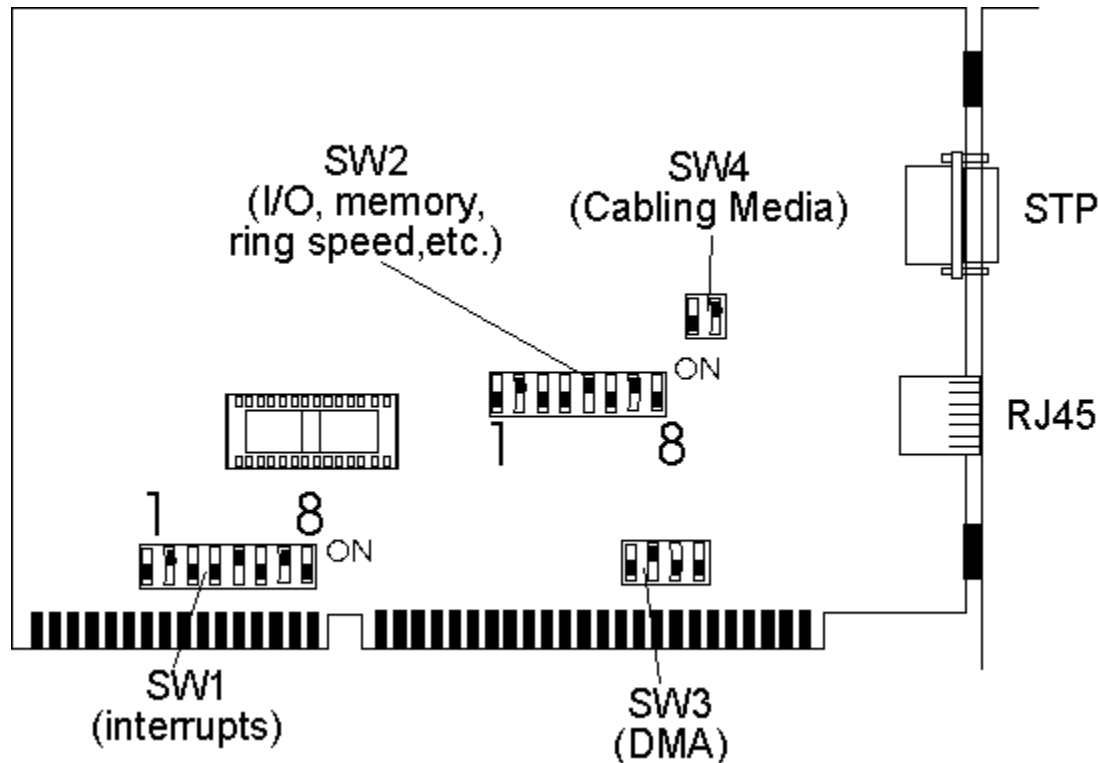
Base I/O Address

	SW1	
	S1	S2
0A20h	ON	ON
1A20h	OFF	ON
2A20h	ON	OFF
3A20h	OFF	OFF

Base Memory Address

NOT USED

Madge Networks Smart 16/4 AT RingNode



This is the Madge Networks Smart 16/4 AT RingNode Network Adapter card shown. Listed below are the possible Interrupt Request Line (IRQ), Base I/O Address, and Base Memory Address jumper/switch configurations:

Setup Choice for Windows NT 3.1

Interrupt Request Line (IRQ)

	SW1							
	S1	S2	S3	S4	S5	S6	S7	S8
IRQ2/9	OFF	OFF	OFF	OFF	OFF	OFF	OFF	ON
IRQ3	OFF	OFF	OFF	OFF	OFF	OFF	ON	OFF
IRQ5	OFF	OFF	OFF	OFF	OFF	ON	OFF	OFF
IRQ7	OFF	OFF	OFF	OFF	ON	OFF	OFF	OFF
IRQ10	OFF	OFF	OFF	ON	OFF	OFF	OFF	OFF
IRQ11	OFF	OFF	ON	OFF	OFF	OFF	OFF	OFF
IRQ12	OFF	ON	OFF	OFF	OFF	OFF	OFF	OFF
IRQ15	ON	OFF	OFF	OFF	OFF	OFF	OFF	OFF

Base I/O Address

	SW2	
	S1	S2
0A20h	ON	ON
1A20h	OFF	ON
2A20h	ON	OFF
3A20h	OFF	OFF

Base Memory Address
NOT USED

Madge Networks Smart 16/4 EISA RingNode

This can be configured using the ECU (EISA Configuration Utility) that ships with most EISA systems. For question about use of the ECU, please consult the documentation that came with your system or contact the manufacturer of the system.

Setup Choice for Windows NT 3.1

Madge Networks Smart 16/4 MC RingNode

This Network Adapter card is configured using the 'Reference Disk' provided with your Micro-Channel System. For further information consult the documentation provided with the Network Adapter or contact your vendor.

Setup Choice for Windows NT 3.1

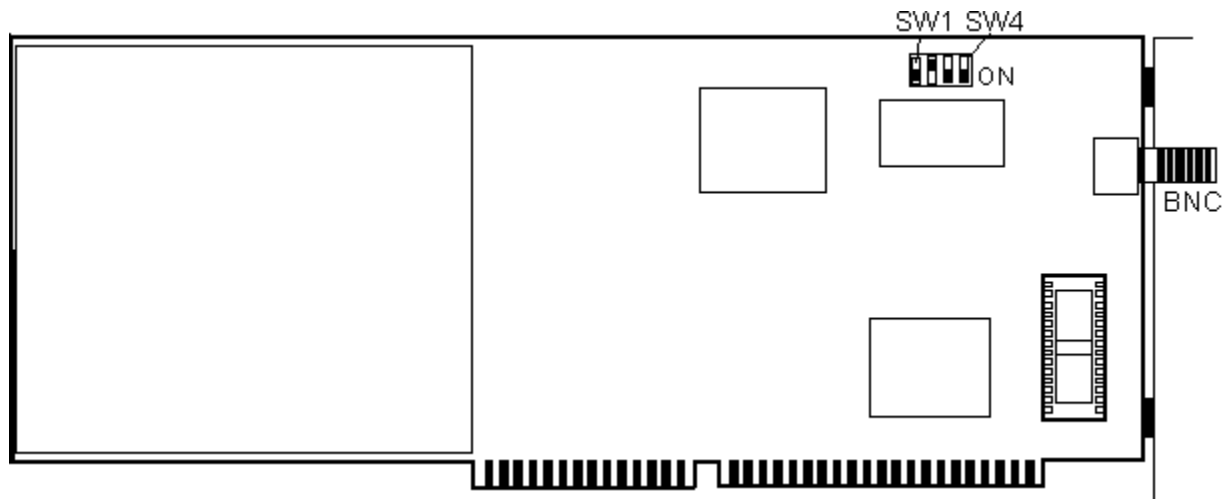
NCR

Windows NT Adapter help currently includes the following NCR network cards:

NCR WaveLan AT Adapter

NCR WaveLan MC Adapter

NCR WaveLan AT Adapter



This is the NCR WaveLan AT Adapter Network Adapter card shown. Listed below are the possible Interrupt Request Line (IRQ), Base I/O Address, and Base Memory Address jumper/switch configurations:

Setup Choice for Windows NT 3.1

Interrupt Request Line (IRQ)

NOT USED

Base I/O Address

	SW1	
	S1	S2
300h	OFF	OFF
390h	OFF	ON
3C0h	ON	OFF
3E0h	ON	ON

Base Memory Address

NOT USED

NCR WaveLan MC Adapter

This Network Adapter card is configured using the 'Reference Disk' provided with your Micro-Channel System. For further information consult the documentation provided with the Network Adapter or contact your vendor.

Setup Choice for Windows NT 3.1

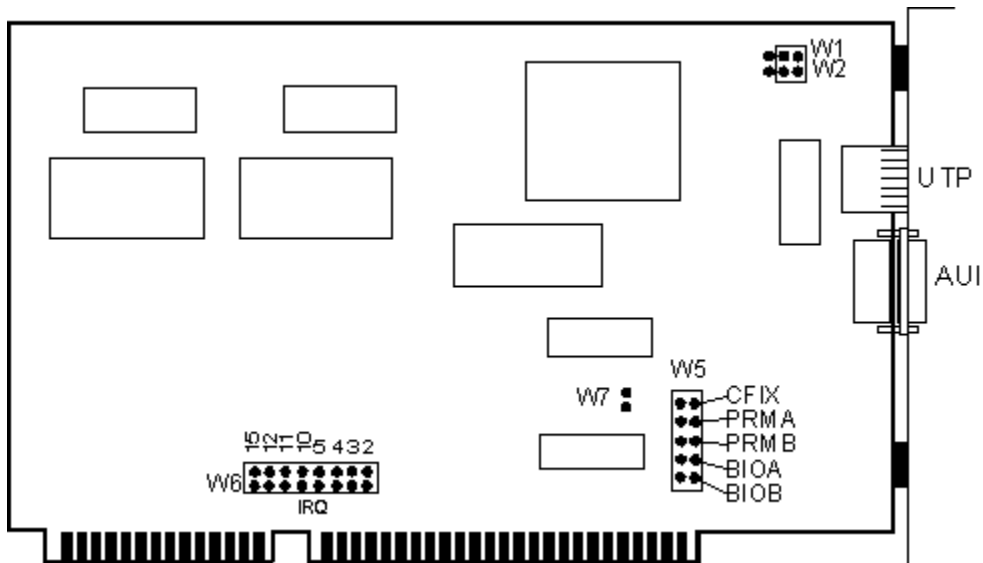
Networth

Windows NT Adapter help currently includes the following Networth network cards:

Networth EtherneXt 16-bit UTP

Networth EtherneXt 16-bit UTP (MCA)

Network EtherneXt 16-bit UTP



This is the Network EtherneXt 16-bit UTP Network Adapter card shown. Listed below are the possible Interrupt Request Line (IRQ), Base I/O Address, and Base Memory Address jumper/switch configurations:

Setup Choice for Windows NT 3.1

Interrupt Request Line (IRQ)

	W6							
	J2	J3	J4	J5	J10	J11	J12	J15
IRQ2	ON	OFF	OFF	OFF	OFF	OFF	OFF	OFF
IRQ3	OFF	ON	OFF	OFF	OFF	OFF	OFF	OFF
IRQ4	OFF	OFF	ON	OFF	OFF	OFF	OFF	OFF
IRQ5	OFF	OFF	OFF	ON	OFF	OFF	OFF	OFF
IRQ10	OFF	OFF	OFF	OFF	ON	OFF	OFF	OFF
IRQ11	OFF	OFF	OFF	OFF	OFF	ON	OFF	OFF
IRQ12	OFF	OFF	OFF	OFF	OFF	OFF	ON	OFF
IRQ15	OFF	OFF	OFF	OFF	OFF	OFF	OFF	ON

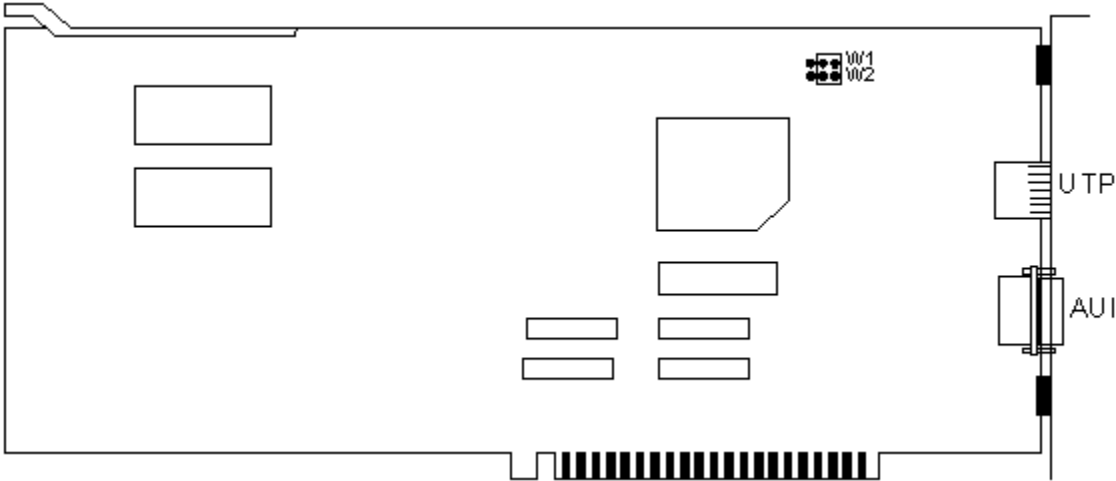
Base I/O Address

	W5	
	BIOA	BIOB
300h	ON	ON
320h	OFF	ON
340h	ON	OFF
360h	OFF	OFF

Base Memory Address

NOT USED

Networth EtherneXt 16-bit UTP (MCA)



This Network Adapter card is configured using the 'Reference Disk' provided with your Micro-Channel System. For further information consult the documentation provided with the Network Adapter or contact your vendor.

Setup Choice for Windows NT 3.1

Novell

Windows NT Adapter help currently includes the following Novell network cards:

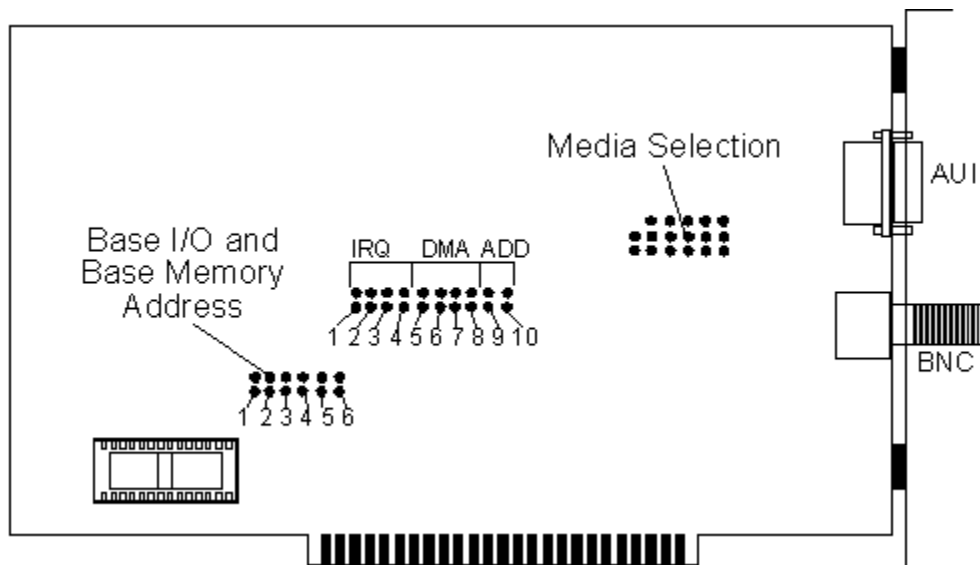
Novell-Anthem NE1000 (Assy. 950-054401)

Novell-Anthem NE1000 (Assy. 810-160-001)

Novell-Anthem NE2000

Novell NE3200

Novell-Anthem NE1000 (Assy. 950-054401)



This is the Novell-Anthem NE1000 Card (Assy. 950-054401) shown. Listed below are the possible Interrupt Request Line (IRQ), Base I/O Address, and Base Memory Address jumper/switch configurations:

Setup Choice for Windows NT 3.1

Novell NE1000 Adapter

Interrupt Request Line (IRQ)

	J1	J2	J3	J4
IRQ2	ON	OFF	OFF	OFF
IRQ3	OFF	ON	OFF	OFF
IRQ4	OFF	OFF	ON	OFF
IRQ5	OFF	OFF	OFF	ON

Base I/O Address

	J9	J10
300h	ON	ON
320h	OFF	ON
340h	ON	OFF
360h	OFF	OFF

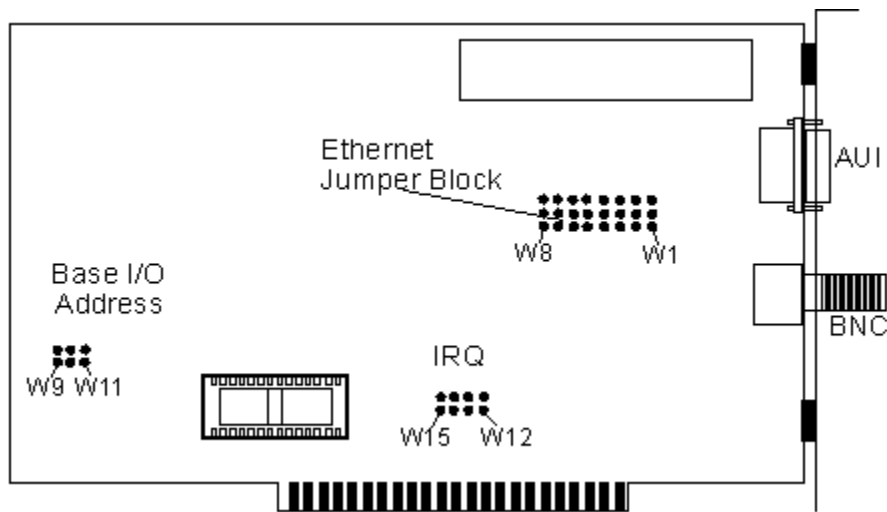
Base Memory Address

NOT USED

Cabling for this Adapter

- Thick Ethernet via AUI Connector
- Thin Ethernet via BNC Connector

Novell-Anthem NE1000 (Assy. 810-160-001)



This is the Novell-Anthem NE1000 Card (Assy. 810-160-001) shown. Listed below are the possible Interrupt Request Line (IRQ), Base I/O Address, and Base Memory Address jumper/switch configurations:

Setup Choice for Windows NT 3.1

Novell NE1000 Adapter

Interrupt Request Line (IRQ)

	W12	W13	W14	W15
IRQ2	ON	OFF	OFF	OFF
IRQ3	OFF	ON	OFF	OFF
IRQ4	OFF	OFF	ON	OFF
IRQ5	OFF	OFF	OFF	ON

Base I/O Address

	W9	W10	W11
300h	ON	ON	OFF
320h	OFF	ON	OFF
340h	ON	OFF	OFF
360h	OFF	OFF	OFF

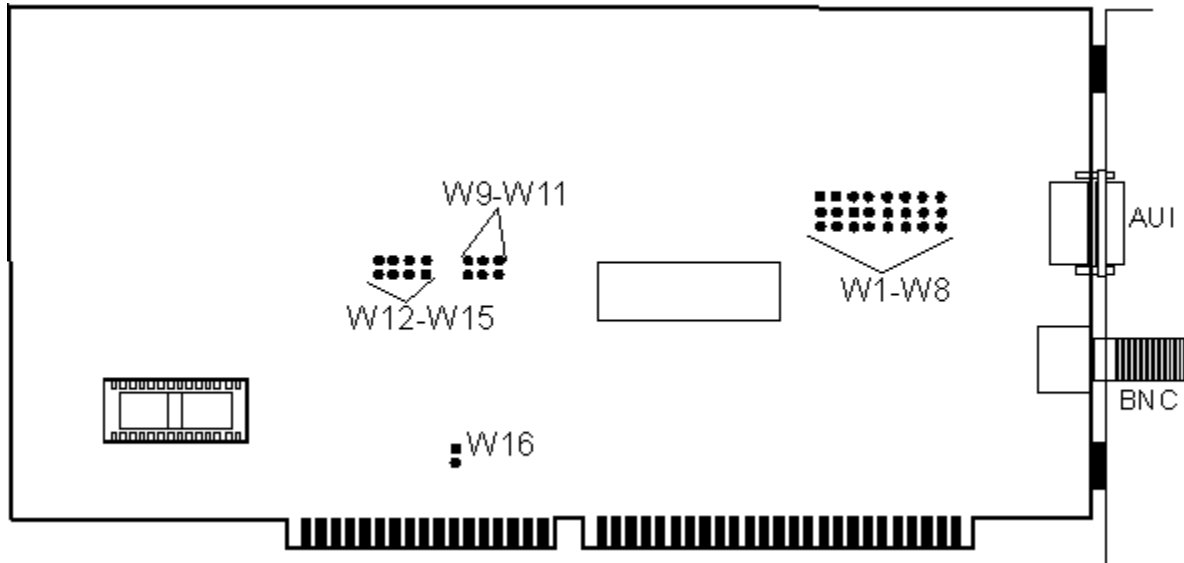
Base Memory Address

NOT USED

Cabling for this Adapter

- Thick Ethernet via AUI Connector
- Thin Ethernet via BNC Connector

Novell-Anthem NE2000



This is the Novell-Anthem NE2000 Network Adapter card shown. Listed below are the possible Interrupt Request Line (IRQ), Base I/O Address, and Base Memory Address jumper/switch configurations:

Setup Choice for Windows NT 3.1

Novell NE2000 Adapter

Interrupt Request Line (IRQ)

	W12	W13	W14	W15
IRQ2	ON	OFF	OFF	OFF
IRQ3	OFF	ON	OFF	OFF
IRQ4	OFF	OFF	ON	OFF
IRQ5	OFF	OFF	OFF	ON

Base I/O Address

	W9	W10	W11
300h	ON	ON	OFF
320h	OFF	ON	OFF
340h	ON	OFF	OFF
360h	OFF	OFF	OFF

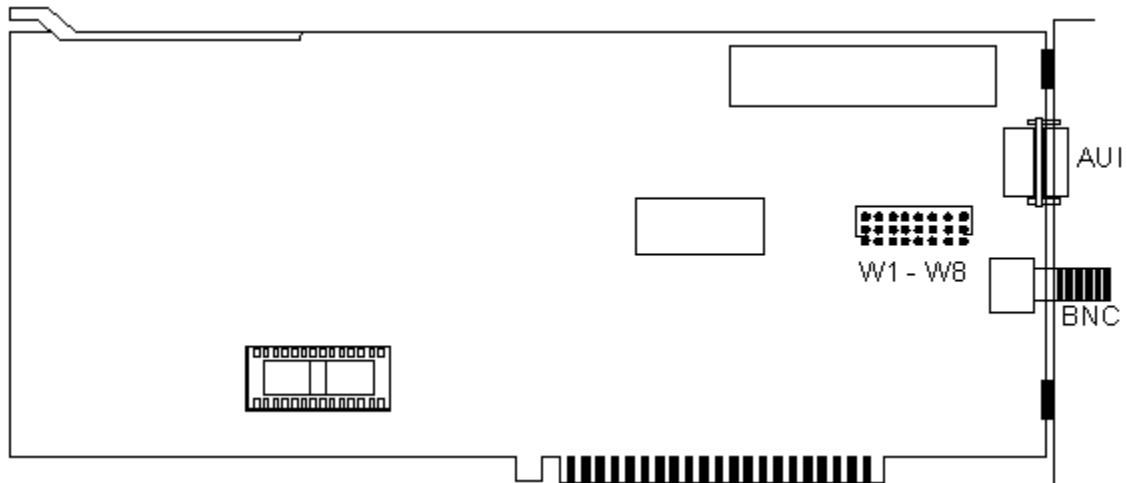
Base Memory Address

NOT USED

Cabling for this Adapter

- Thick Ethernet via AUI Connector
- Thin Ethernet via BNC Connector

Novell-Anthem NE-2



This Network Adapter card is configured using the 'Reference Disk' provided with your Micro-Channel System. For further information consult the documentation provided with the Network Adapter or contact your vendor.

Setup Choice for Windows NT 3.1

Novell NE2000 Adapter

Interrupt Request Line (IRQ)

Default - IRQ3

Base I/O Address

Default - 1000h

Novell NE3200

This can be configured using the ECU (EISA Configuration Utility) that ships with most EISA systems. For question about use of the ECU, please consult the documentation that came with your system or contact the manufacturer of the system.

Setup Choice for Windows NT 3.1

Novell NE3200 EISA Adapter

Cabling for this Adapter

Thick Ethernet via AUI Connector

Thin Ethernet via BNC Connector

Olicom

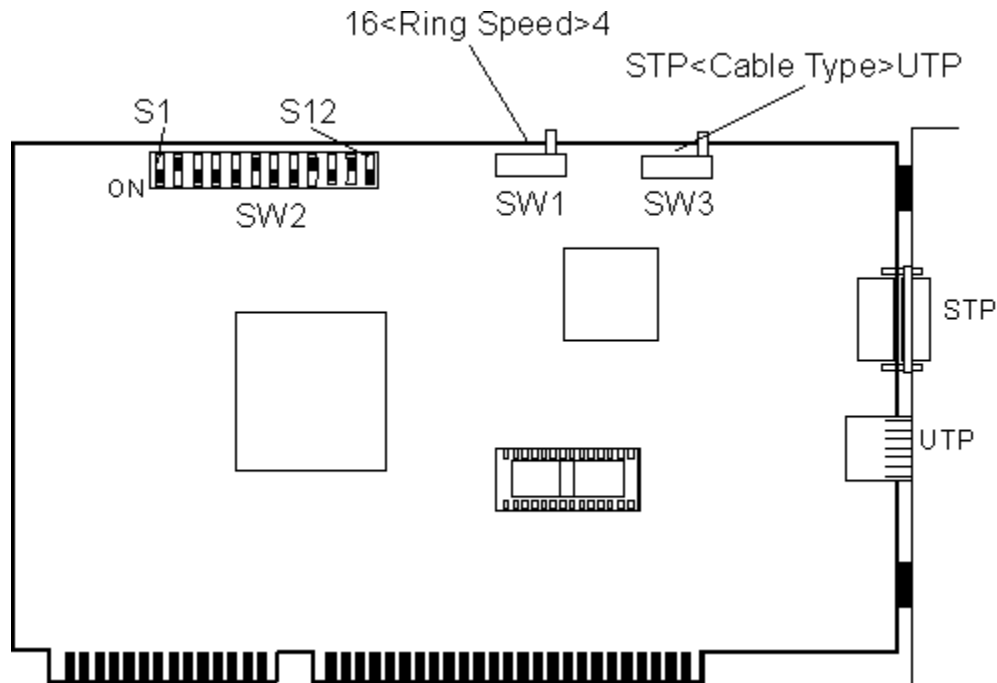
Windows NT Adapter help currently includes the following Olicom network cards:

Olicom 16-4 Token Ring Adapter (ISA)

Olicom 16-4 Token Ring Adapter (MCA)

Olicom 16-4 Token Ring Adapter (EISA)

Olicom 16-4 Token Ring Adapter



This is the Olicom 16/4 Token Ring Adapter shown. Listed below are the possible Interrupt Request Line (IRQ), Base I/O Address, and Base Memory Address jumper/switch configurations:

Setup Choice for Windows NT 3.1

Interrupt Request Line (IRQ)

	SW2	
	S7	S8
IRQ2/9	ON	ON
IRQ3	ON	OFF
IRQ10	OFF	ON
IRQ11	OFF	OFF

Base I/O Address

	SW2	
	S9	S10
0A20h	OFF	OFF
0A24h	ON	OFF
0A50h	OFF	ON
0A54h	ON	ON

Base Memory Address

NOT USED

Olicom 16-4 Token Ring Adapter (MCA)

This Network Adapter card is configured using the 'Reference Disk' provided with your Micro-Channel System. For further information consult the documentation provided with the Network Adapter or contact your vendor.

Setup Choice for Windows NT 3.1

Olicom 16-4 Token Ring Adapter (EISA)

This can be configured using the ECU (EISA Configuration Utility) that ships with most EISA systems. For question about use of the ECU, please consult the documentation that came with your system or contact the manufacturer of the system.

Setup Choice for Windows NT 3.1

Proteon

Windows NT Adapter help currently includes the following Proteon network cards:

Proteon Token Ring (P1390)

Proteon EISA Token Ring

Proteon EISA Token Ring

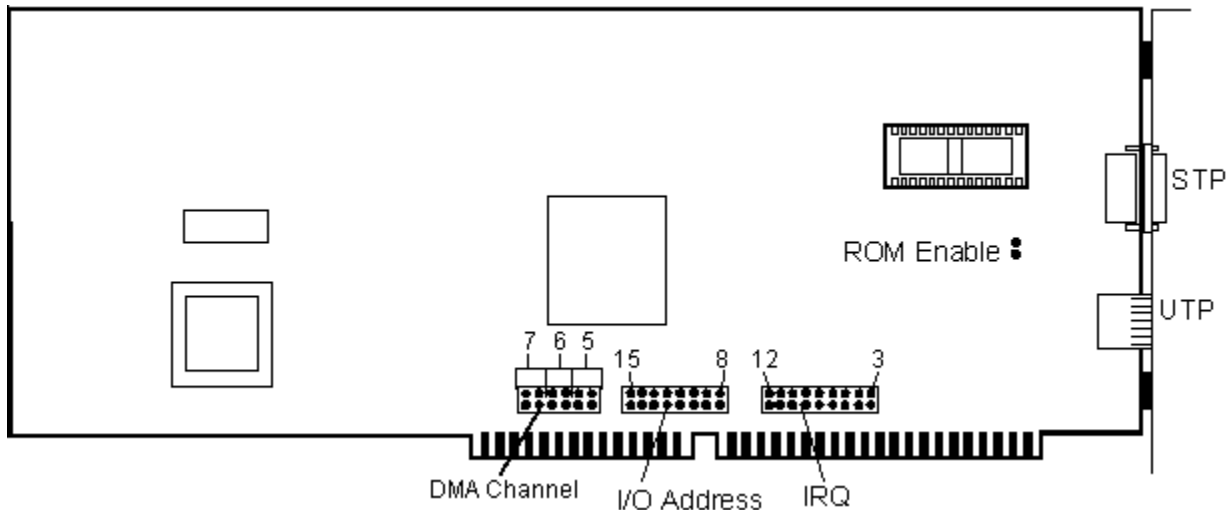
This can be configured using the ECU (EISA Configuration Utility) that ships with most EISA systems. For question about use of the ECU, please consult the documentation that came with your system or contact the manufacturer of the system.

Setup Choice for Windows NT 3.1

Cabling for this Adapter

- Unshielded Twisted Pair via RJ-45 Connector
- Shielded Twisted Pair (IBM Type 1) via DB-9 Connector

Proteon Token Ring (P1390)



This is the Proteon Token Ring (P1390) Network Adapter card shown. Listed below are the possible Interrupt Request Line (IRQ), Base I/O Address, and Base Memory Address jumper/switch configurations:

Setup Choice for Windows NT 3.1

Proteon p1390 Adapter

DMA Channel

To select a DMA Channel (5,6,or 7), install the jumpers over the pair of DMA channel pins. If you use an 8-bit slot, you must use pseudo DMA. Pseudo DMA provides a form of software controlled DMA. Pseudo DMA is not as fast as DMA provided by hardware, but it is helpful if a 16-bit slot is not available.

If your computer does not have a standard ISA bus, it may be necessary to use pseudo DMA even though you are using a 16-bit slot. To use pseudo DMA remove all DMA jumpers.

Interrupt Request Line (IRQ)

	J3	J4	J5	J6	J7	J9	J10	J11	J12
IRQ3	ON	OFF	OFF	OFF	OFF	OFF	OFF	OFF	OFF
IRQ4	OFF	ON	OFF	OFF	OFF	OFF	OFF	OFF	OFF
IRQ5	OFF	OFF	ON	OFF	OFF	OFF	OFF	OFF	OFF
IRQ6	OFF	OFF	OFF	ON	OFF	OFF	OFF	OFF	OFF
IRQ7	OFF	OFF	OFF	OFF	ON	OFF	OFF	OFF	OFF
IRQ9	OFF	OFF	OFF	OFF	OFF	ON	OFF	OFF	OFF
IRQ10	OFF	OFF	OFF	OFF	OFF	OFF	ON	OFF	OFF
IRQ11	OFF	OFF	OFF	OFF	OFF	OFF	OFF	ON	OFF
IRQ12	OFF	OFF	OFF	OFF	OFF	OFF	OFF	OFF	ON

Base I/O Address

	J8	J9	J10	J11	J12	J13	J14	J15
0A20h	ON	OFF	ON	OFF	ON	ON	ON	ON
1A20h	ON	OFF	ON	OFF	OFF	ON	ON	ON
2A20h	ON	OFF	ON	OFF	ON	OFF	ON	ON
3A20h	ON	OFF	ON	OFF	ON	ON	ON	ON
4A20h	ON	OFF	ON	OFF	ON	ON	ON	ON

5A20h ON OFF ON OFF ON ON ON ON

Base Memory Address

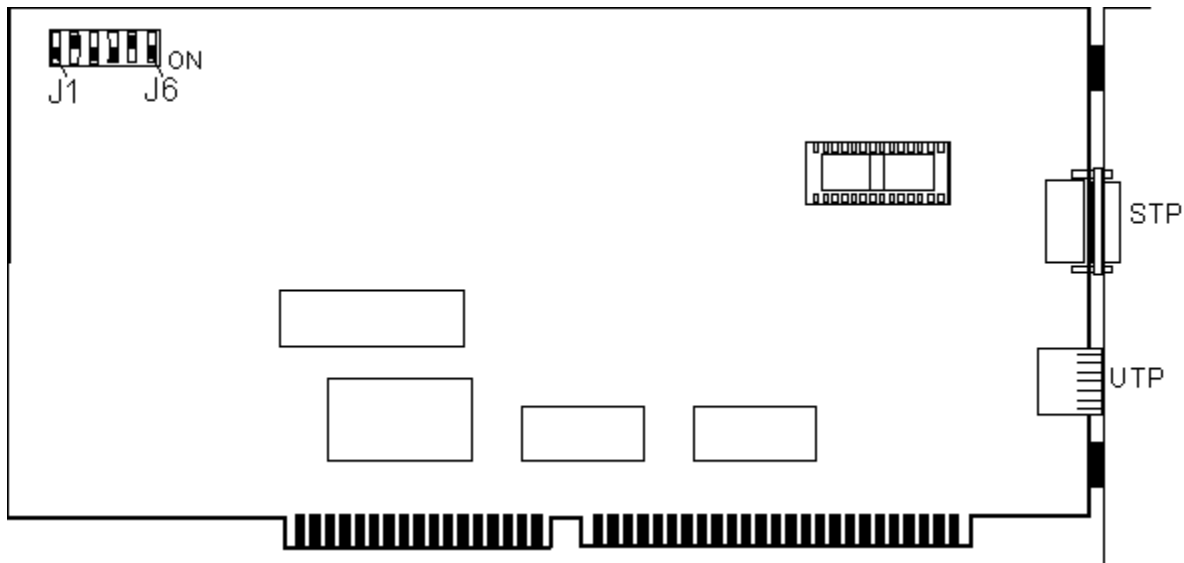
NOT USED

Cabling for this Adapter

Unshielded Twisted Pair via RJ-45 Connector

Shielded Twisted Pair (IBM Type 1) via DB-9 Connector

Proteon Token Ring (P1392)



This is the Proteon Token Ring (P1392) Network Adapter card shown. Listed below are the possible Interrupt Request Line (IRQ), Base I/O Address, and Base Memory Address jumper/switch configurations:

Setup Choice for Windows NT 3.1

Interrupt Request Line (IRQ)

NOT USED

Base I/O Address

	J2	J3	J4	J5	J6
0A20h	ON	ON	ON	ON	ON
0E20h	OFF	ON	ON	ON	ON
1A20h	ON	OFF	ON	ON	ON
1E20h	OFF	OFF	ON	ON	ON
2A20h	ON	ON	OFF	ON	ON
2E20h	OFF	ON	OFF	ON	ON
3A20h	ON	OFF	OFF	ON	ON
3E20h	OFF	OFF	OFF	ON	ON
4A20h	ON	ON	ON	OFF	ON
4E20h	OFF	ON	ON	OFF	ON
5A20h	ON	OFF	ON	OFF	ON
5E20h	OFF	OFF	ON	OFF	ON
6A20h	ON	ON	OFF	OFF	ON
6E20h	OFF	ON	OFF	OFF	ON
7A20h	ON	OFF	OFF	OFF	ON
7E20h	OFF	OFF	OFF	OFF	ON
8A20h	ON	ON	ON	ON	OFF
8E20h	OFF	ON	ON	ON	OFF
9A20h	ON	OFF	ON	ON	OFF
9E20h	OFF	OFF	ON	ON	OFF
AA20h	ON	ON	OFF	ON	OFF
AE20h	OFF	ON	OFF	ON	OFF

BA20h	ON	OFF	OFF	ON	OFF
BE20h	OFF	OFF	OFF	ON	OFF
CA20h	ON	ON	ON	OFF	OFF
CE20h	OFF	ON	ON	OFF	OFF
DA20h	ON	OFF	ON	OFF	OFF
DE20h	OFF	OFF	ON	OFF	OFF
EA20h	ON	ON	OFF	OFF	OFF
EE20h	OFF	ON	OFF	OFF	OFF
FA20h	ON	OFF	OFF	OFF	OFF
FE20h	OFF	OFF	OFF	OFF	OFF

Base Memory Address

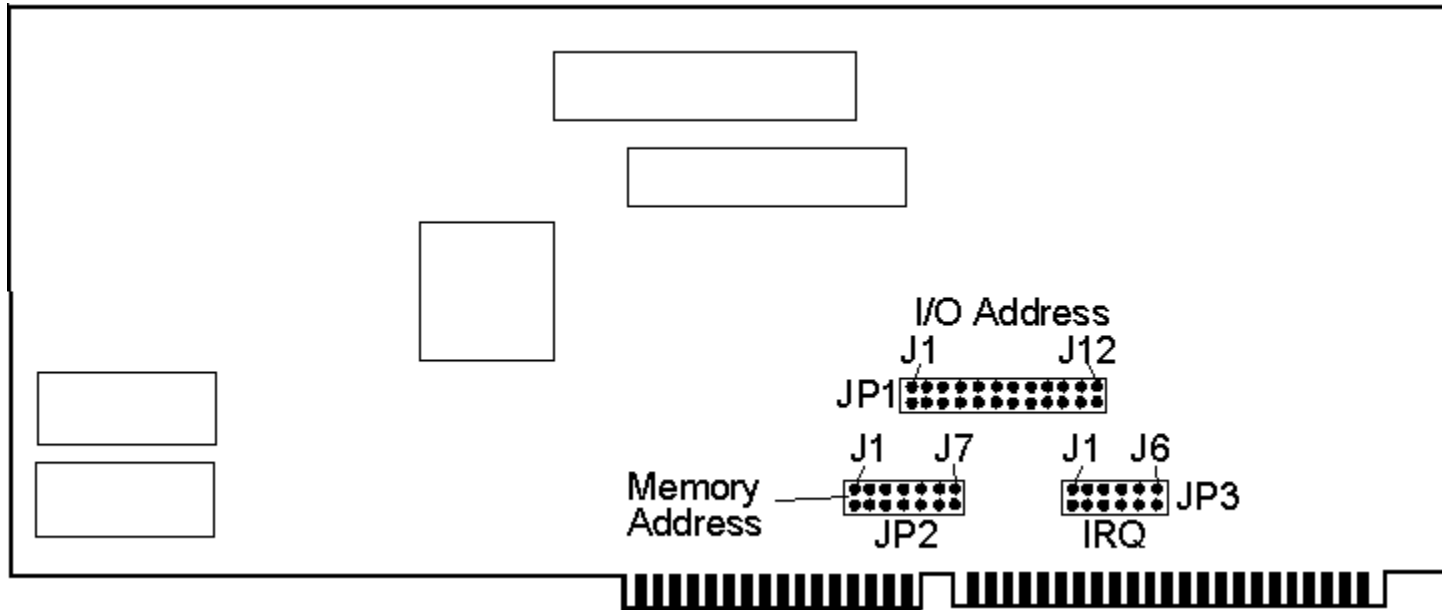
NOT USED

Cabling for this Adapter

Unshielded Twisted Pair via RJ-45 Connector

Shielded Twisted Pair (IBM Type 1) via DB-9 Connector

Proteon ISA Token Ring (P1340)



This is the Proteon ISA Token Ring (P1340) Network Adapter card shown. Listed below are the possible Interrupt Request Line (IRQ), Base I/O Address, and Base Memory Address jumper/switch configurations:

Setup Choice for Windows NT 3.1

Interrupt Request Line (IRQ)

	JP3					
	J1	J2	J3	J4	J5	J6
IRQ2	ON	OFF	OFF	OFF	OFF	OFF
IRQ3	OFF	ON	OFF	OFF	OFF	OFF
IRQ4	OFF	OFF	ON	OFF	OFF	OFF
IRQ5	OFF	OFF	OFF	ON	OFF	OFF
IRQ6	OFF	OFF	OFF	OFF	ON	OFF
IRQ7	OFF	OFF	OFF	OFF	OFF	ON

Base I/O Address

	JP1											
	J1	J2	J3	J4	J5	J6	J7	J8	J9	J10	J11	J12
0200h	ON	ON	ON	ON	ON	OFF	ON	ON	ON	ON	ON	ON
0210h	OFF	ON	ON	ON	ON	OFF	ON	ON	ON	ON	ON	ON
0220h	ON	OFF	ON	ON	ON	OFF	ON	ON	ON	ON	ON	ON
0230h	OFF	OFF	ON	ON	ON	OFF	ON	ON	ON	ON	ON	ON
0240h	ON	ON	OFF	ON	ON	OFF	ON	ON	ON	ON	ON	ON
0250h	OFF	ON	OFF	ON	ON	OFF	ON	ON	ON	ON	ON	ON
0260h	ON	OFF	OFF	ON	ON	OFF	ON	ON	ON	ON	ON	ON
0270h	OFF	OFF	OFF	ON	ON	OFF	ON	ON	ON	ON	ON	ON
0280h	ON	ON	ON	OFF	ON	OFF	ON	ON	ON	ON	ON	ON
0290h	OFF	ON	ON	OFF	ON	OFF	ON	ON	ON	ON	ON	ON
02A0h	ON	OFF	ON	OFF	ON	OFF	ON	ON	ON	ON	ON	ON
02B0h	OFF	OFF	ON	OFF	ON	OFF	ON	ON	ON	ON	ON	ON

02C0h	ON	ON	OFF	OFF	ON	OFF	ON	ON	ON	ON	ON	ON
02D0h	OFF	ON	OFF	OFF	ON	OFF	ON	ON	ON	ON	ON	ON
02E0h	ON	OFF	OFF	OFF	ON	OFF	ON	ON	ON	ON	ON	ON
02F0h	OFF	OFF	OFF	OFF	ON	OFF	ON	ON	ON	ON	ON	ON
0300h	ON	ON	ON	ON	OFF	OFF	ON	ON	ON	ON	ON	ON
0310h	OFF	ON	ON	ON	OFF	OFF	ON	ON	ON	ON	ON	ON
0320h	ON	OFF	ON	ON	OFF	OFF	ON	ON	ON	ON	ON	ON
0330h	OFF	OFF	ON	ON	OFF	OFF	ON	ON	ON	ON	ON	ON
0340h	ON	ON	OFF	ON	OFF	OFF	ON	ON	ON	ON	ON	ON
0350h	OFF	ON	OFF	ON	OFF	OFF	ON	ON	ON	ON	ON	ON
0360h	ON	OFF	OFF	ON	OFF	OFF	ON	ON	ON	ON	ON	ON
0370h	OFF	OFF	OFF	ON	OFF	OFF	ON	ON	ON	ON	ON	ON
0380h	ON	ON	ON	OFF	OFF	OFF	ON	ON	ON	ON	ON	ON
0390h	OFF	ON	ON	OFF	OFF	OFF	ON	ON	ON	ON	ON	ON
03A0h	ON	OFF	ON	OFF	OFF	OFF	ON	ON	ON	ON	ON	ON
03B0h	OFF	OFF	ON	OFF	OFF	OFF	ON	ON	ON	ON	ON	ON
03C0h	ON	ON	OFF	OFF	OFF	OFF	ON	ON	ON	ON	ON	ON
03D0h	OFF	ON	OFF	OFF	OFF	OFF	ON	ON	ON	ON	ON	ON
03E0h	ON	OFF	OFF	OFF	OFF	OFF	ON	ON	ON	ON	ON	ON
03F0h	OFF	OFF	OFF	OFF	OFF	OFF	ON	ON	ON	ON	ON	ON
0A00h	ON	ON	ON	ON	ON	OFF	ON	OFF	ON	ON	ON	ON
0A10h	OFF	ON	ON	ON	ON	OFF	ON	OFF	ON	ON	ON	ON
0A20h	ON	OFF	ON	ON	ON	OFF	ON	OFF	ON	ON	ON	ON
0A30h	OFF	OFF	ON	ON	ON	OFF	ON	OFF	ON	ON	ON	ON
0A40h	ON	ON	OFF	ON	ON	OFF	ON	OFF	ON	ON	ON	ON
0A50h	OFF	ON	OFF	ON	ON	OFF	ON	OFF	ON	ON	ON	ON
0A60h	ON	OFF	OFF	ON	ON	OFF	ON	OFF	ON	ON	ON	ON
0A70h	OFF	OFF	OFF	ON	ON	OFF	ON	OFF	ON	ON	ON	ON
0A80h	ON	ON	ON	OFF	ON	OFF	ON	OFF	ON	ON	ON	ON
0A90h	OFF	ON	ON	OFF	ON	OFF	ON	OFF	ON	ON	ON	ON
0AA0h	ON	OFF	ON	OFF	ON	OFF	ON	OFF	ON	ON	ON	ON
0AB0h	OFF	OFF	ON	OFF	ON	OFF	ON	OFF	ON	ON	ON	ON
0AC0h	ON	ON	OFF	OFF	ON	OFF	ON	OFF	ON	ON	ON	ON
0AD0h	OFF	ON	OFF	OFF	ON	OFF	ON	OFF	ON	ON	ON	ON
0AE0h	ON	OFF	OFF	OFF	ON	OFF	ON	OFF	ON	ON	ON	ON
0AF0h	OFF	OFF	OFF	OFF	ON	OFF	ON	OFF	ON	ON	ON	ON

Base Memory Address

	JP2						
	J1	J2	J3	J4	J5	J6	J7
0000h	ON	ON	ON	ON	ON	ON	ON
0200h	OFF	ON	ON	ON	ON	ON	ON
0400h	ON	OFF	ON	ON	ON	ON	ON
0600h	OFF	OFF	ON	ON	ON	ON	ON
0800h	ON	ON	OFF	ON	ON	ON	ON
0A00h	OFF	ON	OFF	ON	ON	ON	ON
0C00h	ON	OFF	OFF	ON	ON	ON	ON
0E00h	OFF	OFF	OFF	ON	ON	ON	ON
1000h	ON	ON	ON	OFF	ON	ON	ON
1200h	OFF	ON	ON	OFF	ON	ON	ON
1400h	ON	OFF	ON	OFF	ON	ON	ON
1600h	OFF	OFF	ON	OFF	ON	ON	ON
1800h	ON	ON	OFF	OFF	ON	ON	ON
1A00h	OFF	ON	OFF	OFF	ON	ON	ON
1C00h	ON	OFF	OFF	OFF	ON	ON	ON

1E00h	OFF	OFF	OFF	OFF	ON	ON	ON
2000h	ON	ON	ON	ON	OFF	ON	ON
2200h	OFF	ON	ON	ON	OFF	ON	ON
2400h	ON	OFF	ON	ON	OFF	ON	ON
2600h	OFF	OFF	ON	ON	OFF	ON	ON
2800h	ON	ON	OFF	ON	OFF	ON	ON
2A00h	OFF	ON	OFF	ON	OFF	ON	ON
2C00h	ON	OFF	OFF	ON	OFF	ON	ON
2E00h	OFF	OFF	OFF	ON	OFF	ON	ON
3000h	ON	ON	ON	OFF	OFF	ON	ON
3200h	OFF	ON	ON	OFF	OFF	ON	ON
3400h	ON	OFF	ON	OFF	OFF	ON	ON
3600h	OFF	OFF	ON	OFF	OFF	ON	ON
3800h	ON	ON	OFF	OFF	OFF	ON	ON
3A00h	OFF	ON	OFF	OFF	OFF	ON	ON
3C00h	ON	OFF	OFF	OFF	OFF	ON	ON
3E00h	OFF	OFF	OFF	OFF	OFF	ON	ON
4000h	ON	ON	ON	ON	ON	OFF	ON
4200h	OFF	ON	ON	ON	ON	OFF	ON
4400h	ON	OFF	ON	ON	ON	OFF	ON
4600h	OFF	OFF	ON	ON	ON	OFF	ON
4800h	ON	ON	OFF	ON	ON	OFF	ON
4A00h	OFF	ON	OFF	ON	ON	OFF	ON
4C00h	ON	OFF	OFF	ON	ON	OFF	ON
4E00h	OFF	OFF	OFF	ON	ON	OFF	ON
5000h	ON	ON	ON	OFF	ON	OFF	ON
5200h	OFF	ON	ON	OFF	ON	OFF	ON
5400h	ON	OFF	ON	OFF	ON	OFF	ON
5600h	OFF	OFF	ON	OFF	ON	OFF	ON
5800h	ON	ON	OFF	OFF	ON	OFF	ON
5A00h	OFF	ON	OFF	OFF	ON	OFF	ON
5C00h	ON	OFF	OFF	OFF	ON	OFF	ON
5E00h	OFF	OFF	OFF	OFF	ON	OFF	ON
6000h	ON	ON	ON	ON	OFF	OFF	ON
6200h	OFF	ON	ON	ON	OFF	OFF	ON
6400h	ON	OFF	ON	ON	OFF	OFF	ON
6600h	OFF	OFF	ON	ON	OFF	OFF	ON
6800h	ON	ON	OFF	ON	OFF	OFF	ON
6A00h	OFF	ON	OFF	ON	OFF	OFF	ON
6C00h	ON	OFF	OFF	ON	OFF	OFF	ON
6E00h	OFF	OFF	OFF	ON	OFF	OFF	ON
7000h	ON	ON	ON	OFF	OFF	OFF	ON
7200h	OFF	ON	ON	OFF	OFF	OFF	ON
7400h	ON	OFF	ON	OFF	OFF	OFF	ON
7600h	OFF	OFF	ON	OFF	OFF	OFF	ON
7800h	ON	ON	OFF	OFF	OFF	OFF	ON
7A00h	OFF	ON	OFF	OFF	OFF	OFF	ON
7C00h	ON	OFF	OFF	OFF	OFF	OFF	ON
7E00h	OFF	OFF	OFF	OFF	OFF	OFF	ON
8000h	ON	ON	ON	ON	ON	ON	OFF
8200h	OFF	ON	ON	ON	ON	ON	OFF
8400h	ON	OFF	ON	ON	ON	ON	OFF
8600h	OFF	OFF	ON	ON	ON	ON	OFF
8800h	ON	ON	OFF	ON	ON	ON	OFF
8A00h	OFF	ON	OFF	ON	ON	ON	OFF

8C00h	ON	OFF	OFF	ON	ON	ON	OFF
8E00h	OFF	OFF	OFF	ON	ON	ON	OFF
9000h	ON	ON	ON	OFF	ON	ON	OFF
9200h	OFF	ON	ON	OFF	ON	ON	OFF
9400h	ON	OFF	ON	OFF	ON	ON	OFF
9600h	OFF	OFF	ON	OFF	ON	ON	OFF
9800h	ON	ON	OFF	OFF	ON	ON	OFF
9A00h	OFF	ON	OFF	OFF	ON	ON	OFF
9C00h	ON	OFF	OFF	OFF	ON	ON	OFF
9E00h	OFF	OFF	OFF	OFF	ON	ON	OFF
A000h	ON	ON	ON	ON	OFF	ON	OFF
A200h	OFF	ON	ON	ON	OFF	ON	OFF
A400h	ON	OFF	ON	ON	OFF	ON	OFF
A600h	OFF	OFF	ON	ON	OFF	ON	OFF
A800h	ON	ON	OFF	ON	OFF	ON	OFF
AA00h	OFF	ON	OFF	ON	OFF	ON	OFF
AC00h	ON	OFF	OFF	ON	OFF	ON	OFF
AE00h	OFF	OFF	OFF	ON	OFF	ON	OFF
B000h	ON	ON	ON	OFF	OFF	ON	OFF
B200h	OFF	ON	ON	OFF	OFF	ON	OFF
B400h	ON	OFF	ON	OFF	OFF	ON	OFF
B600h	OFF	OFF	ON	OFF	OFF	ON	OFF
B800h	ON	ON	OFF	OFF	OFF	ON	OFF
BA00h	OFF	ON	OFF	OFF	OFF	ON	OFF
BC00h	ON	OFF	OFF	OFF	OFF	ON	OFF
BE00h	OFF	OFF	OFF	OFF	OFF	ON	OFF
C000h	ON	ON	ON	ON	ON	OFF	OFF
C200h	OFF	ON	ON	ON	ON	OFF	OFF
C400h	ON	OFF	ON	ON	ON	OFF	OFF
C600h	OFF	OFF	ON	ON	ON	OFF	OFF
C800h	ON	ON	OFF	ON	ON	OFF	OFF
CA00h	OFF	ON	OFF	ON	ON	OFF	OFF
CC00h	ON	OFF	OFF	ON	ON	OFF	OFF
CE00h	OFF	OFF	OFF	ON	ON	OFF	OFF
D000h	ON	ON	ON	OFF	ON	OFF	OFF
D200h	OFF	ON	ON	OFF	ON	OFF	OFF
D400h	ON	OFF	ON	OFF	ON	OFF	OFF
D600h	OFF	OFF	ON	OFF	ON	OFF	OFF
D800h	ON	ON	OFF	OFF	ON	OFF	OFF
DA00h	OFF	ON	OFF	OFF	ON	OFF	OFF
DC00h	ON	OFF	OFF	OFF	ON	OFF	OFF
DE00h	OFF	OFF	OFF	OFF	ON	OFF	OFF
E000h	ON	ON	ON	ON	OFF	OFF	OFF
E200h	OFF	ON	ON	ON	OFF	OFF	OFF
E400h	ON	OFF	ON	ON	OFF	OFF	OFF
E600h	OFF	OFF	ON	ON	OFF	OFF	OFF
E800h	ON	ON	OFF	ON	OFF	OFF	OFF
EA00h	OFF	ON	OFF	ON	OFF	OFF	OFF
EC00h	ON	OFF	OFF	ON	OFF	OFF	OFF
EE00h	OFF	OFF	OFF	ON	OFF	OFF	OFF
F000h	ON	ON	ON	OFF	OFF	OFF	OFF
F200h	OFF	ON	ON	OFF	OFF	OFF	OFF
F400h	ON	OFF	ON	OFF	OFF	OFF	OFF
F600h	OFF	OFF	ON	OFF	OFF	OFF	OFF
F800h	ON	ON	OFF	OFF	OFF	OFF	OFF

FA00h	OFF	ON	OFF	OFF	OFF	OFF	OFF
FC00h	ON	OFF	OFF	OFF	OFF	OFF	OFF
FE00h	OFF	OFF	OFF	OFF	OFF	OFF	OFF

Pure Data

Windows NT Adapter help currently includes the following Pure Data network cards:

Pure Data PDI9025-16 (Token Ring)

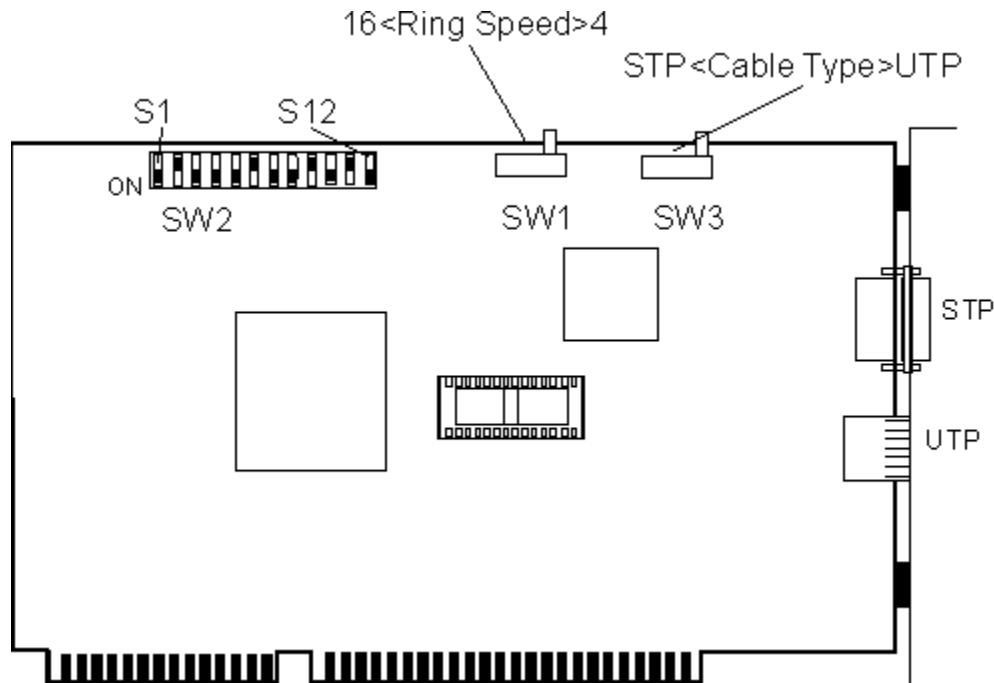
Pure Data PDE9025-32 (Token Ring)

Pure Data PDuC9025 (Token Ring)

Pure Data PDI508+ (ArcNet)

Pure Data PDI516+ (ArcNet)

Pure Data PDI9025-16 (Token Ring)



This is the Pure Data PDI9025-16 (Token Ring) Network Adapter card shown. Listed below are the possible Interrupt Request Line (IRQ), Base I/O Address, and Base Memory Address jumper/switch configurations:

Setup Choice for Windows NT 3.1

Interrupt Request Line (IRQ)

	SW2	
	S7	S8
IRQ2/9	ON	ON
IRQ3	ON	OFF
IRQ10	OFF	ON
IRQ11	OFF	OFF

Base I/O Address

	SW2	
	S9	S10
A20h	OFF	OFF
A24h	ON	OFF
A50h	OFF	ON
A54h	ON	ON

Base Memory Address

NOT USED

Pure Data PDE9025-32 (Token Ring)

This can be configured using the ECU (EISA Configuration Utility) that ships with most EISA systems. For question about use of the ECU, please consult the documentation that came with your system or contact the manufacturer of the system.

Setup Choice for Windows NT 3.1

Interrupt Request Line (IRQ)

Default - IRQ2

Base I/O Address

Default - A20h

Pure Data PDuC9025 (Token Ring)

This Network Adapter card is configured using the 'Reference Disk' provided with your Micro-Channel System. For further information consult the documentation provided with the Network Adapter or contact your vendor.

Setup Choice for Windows NT 3.1

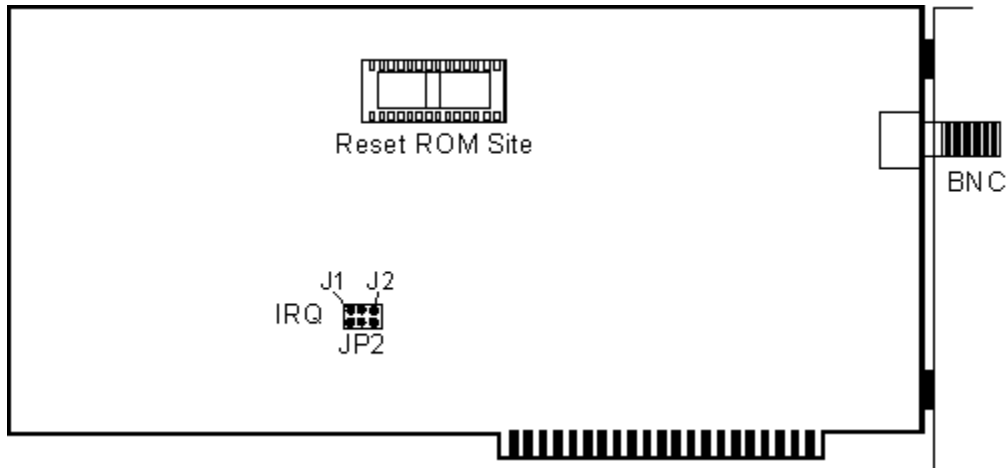
Interrupt Request Line (IRQ)

Default - IRQ2

Base I/O Address

Default - A20h

Pure Data PDI508+(ArcNet)



This is the Pure Data PDI508+ (ArcNet) Network Adapter card shown. Listed below are the possible Interrupt Request Line (IRQ), Base I/O Address, and Base Memory Address jumper/switch configurations:

Setup Choice for Windows NT 3.1

Interrupt Request Line (IRQ)

	JP2		
	J1	J2	J3
IRQ2	SOFTWARE		
IRQ3	SOFTWARE		
IRQ4	SOFTWARE		
IRQ5	ON	OFF	OFF
IRQ6	OFF	ON	OFF
IRQ7	OFF	OFF	ON

Base I/O Address

SOFTWARE CONFIGURABLE

Default - 2E0h

Base Memory Address

SOFTWARE CONFIGURABLE

Default - D000h

Pure Data PDI516+(ArcNet)

This Network Adapter card can be configured using the software supplied by the manufacturer. Please consult the documentation that came with your Network Adapter or contact the manufacturer of the Network Adapter for further information.

Setup Choice for Windows NT 3.1

Interrupt Request Line (IRQ)

Default - IRQ2

Base I/O Address

Default - 2E0h

Base Memory Address

Default - D000h

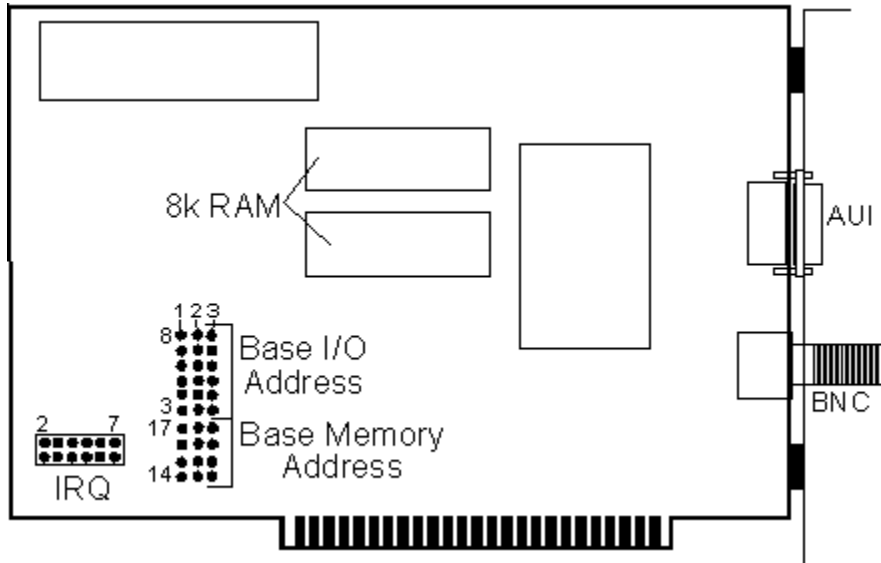
Racal

Windows NT Adapter help currently includes the following Racal network cards:

Racal NI5210-8

Racal NI5210-16

Racal NI5210-8



This is the Racal NI5210-8 Network Adapter card shown. Listed below are the possible Interrupt Request Line (IRQ), Base I/O Address, and Base Memory Address jumper/switch configurations:

Setup Choice for Windows NT 3.1

Interrupt Request Line (IRQ)

	J2	J3	J4	J5	J6	J7
IRQ2	ON	OFF	OFF	OFF	OFF	OFF
IRQ3	OFF	ON	OFF	OFF	OFF	OFF
IRQ4	OFF	OFF	ON	OFF	OFF	OFF
IRQ5	OFF	OFF	OFF	ON	OFF	OFF
IRQ6	OFF	OFF	OFF	OFF	ON	OFF
IRQ7	OFF	OFF	OFF	OFF	OFF	ON

Base I/O Address

	J3	J4	J5	J6	J7	J8
200h	1-2	1-2	1-2	1-2	1-2	1-2
208h	1-2	1-2	1-2	1-2	1-2	2-3
210h	1-2	1-2	1-2	1-2	2-3	1-2
218h	1-2	1-2	1-2	1-2	2-3	2-3
220h	1-2	1-2	1-2	2-3	1-2	1-2
228h	1-2	1-2	1-2	2-3	1-2	2-3
230h	1-2	1-2	1-2	2-3	2-3	1-2
238h	1-2	1-2	1-2	2-3	2-3	2-3
240h	1-2	1-2	2-3	1-2	1-2	1-2
248h	1-2	1-2	2-3	1-2	1-2	2-3
250h	1-2	1-2	2-3	1-2	2-3	1-2
258h	1-2	1-2	2-3	1-2	2-3	2-3
260h	1-2	1-2	2-3	2-3	1-2	1-2
268h	1-2	1-2	2-3	2-3	1-2	2-3
270h	1-2	1-2	2-3	2-3	2-3	1-2
278h	1-2	1-2	2-3	2-3	2-3	2-3

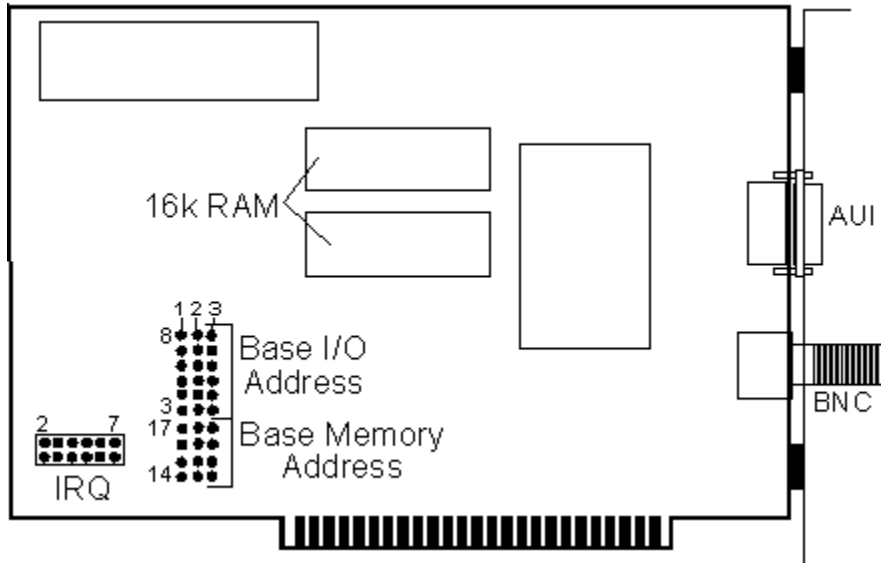
280h	1-2	2-3	1-2	1-2	1-2	1-2
288h	1-2	2-3	1-2	1-2	1-2	2-3
290h	1-2	2-3	1-2	1-2	2-3	1-2
298h	1-2	2-3	1-2	1-2	2-3	2-3
2A0h	1-2	2-3	1-2	2-3	1-2	1-2
2A8h	1-2	2-3	1-2	2-3	1-2	2-3
2B0h	1-2	2-3	1-2	2-3	2-3	1-2
2B8h	1-2	2-3	1-2	2-3	2-3	2-3
2C0h	1-2	2-3	2-3	1-2	1-2	1-2
2C8h	1-2	2-3	2-3	1-2	1-2	2-3
2D0h	1-2	2-3	2-3	1-2	2-3	1-2
2D8h	1-2	2-3	2-3	1-2	2-3	2-3
2E0h	1-2	2-3	2-3	2-3	1-2	1-2
2E8h	1-2	2-3	2-3	2-3	1-2	2-3
2F0h	1-2	2-3	2-3	2-3	2-3	1-2
2F8h	1-2	2-3	2-3	2-3	2-3	2-3
300h	2-3	1-2	1-2	1-2	1-2	1-2
308h	2-3	1-2	1-2	1-2	1-2	2-3
310h	2-3	1-2	1-2	1-2	2-3	1-2
318h	2-3	1-2	1-2	1-2	2-3	2-3
320h	2-3	1-2	1-2	2-3	1-2	1-2
328h	2-3	1-2	1-2	2-3	1-2	2-3
330h	2-3	1-2	1-2	2-3	2-3	1-2
338h	2-3	1-2	1-2	2-3	2-3	2-3
340h	2-3	1-2	2-3	1-2	1-2	1-2
348h	2-3	1-2	2-3	1-2	1-2	2-3
350h	2-3	1-2	2-3	1-2	2-3	1-2
358h	2-3	1-2	2-3	1-2	2-3	2-3
360h	2-3	1-2	2-3	2-3	1-2	1-2
368h	2-3	1-2	2-3	2-3	1-2	2-3
370h	2-3	1-2	2-3	2-3	2-3	1-2
378h	2-3	1-2	2-3	2-3	2-3	2-3
380h	2-3	2-3	1-2	1-2	1-2	1-2
388h	2-3	2-3	1-2	1-2	1-2	2-3
390h	2-3	2-3	1-2	1-2	2-3	1-2
398h	2-3	2-3	1-2	1-2	2-3	2-3
3A0h	2-3	2-3	1-2	2-3	1-2	1-2
3A8h	2-3	2-3	1-2	2-3	1-2	2-3
3B0h	2-3	2-3	1-2	2-3	2-3	1-2
3B8h	2-3	2-3	1-2	2-3	2-3	2-3
3C0h	2-3	2-3	2-3	1-2	1-2	1-2
3C8h	2-3	2-3	2-3	1-2	1-2	2-3
3D0h	2-3	2-3	2-3	1-2	2-3	1-2
3D8h	2-3	2-3	2-3	1-2	2-3	2-3
3E0h	2-3	2-3	2-3	2-3	1-2	1-2
3E8h	2-3	2-3	2-3	2-3	1-2	2-3
3F0h	2-3	2-3	2-3	2-3	2-3	1-2
3F8h	2-3	2-3	2-3	2-3	2-3	2-3

Base Memory Address

	J14	J15	J16	J17
C000h	1-2	1-2	1-2	1-2
C400h	1-2	1-2	1-2	2-3
C800h	1-2	1-2	2-3	1-2
CC00h	1-2	1-2	2-3	2-3

D000h 1-2	2-3	1-2	1-2
D400h 1-2	2-3	1-2	2-3
D800h 1-2	2-3	2-3	1-2
DC00h 1-2	2-3	2-3	2-3
E000h 2-3	1-2	1-2	1-2
E400h 2-3	1-2	1-2	2-3
E800h 2-3	1-2	2-3	1-2
EC00h 2-3	1-2	2-3	2-3

Racal NI5210-16



This is the Racal NI5210-16 Network Adapter card shown. Listed below are the possible Interrupt Request Line (IRQ), Base I/O Address, and Base Memory Address jumper/switch configurations:

Setup Choice for Windows NT 3.1

Interrupt Request Line (IRQ)

	J2	J3	J4	J5	J6	J7
IRQ2	ON	OFF	OFF	OFF	OFF	OFF
IRQ3	OFF	ON	OFF	OFF	OFF	OFF
IRQ4	OFF	OFF	ON	OFF	OFF	OFF
IRQ5	OFF	OFF	OFF	ON	OFF	OFF
IRQ6	OFF	OFF	OFF	OFF	ON	OFF
IRQ7	OFF	OFF	OFF	OFF	OFF	ON

Base I/O Address

	J3	J4	J5	J6	J7	J8
200h	1-2	1-2	1-2	1-2	1-2	1-2
208h	1-2	1-2	1-2	1-2	1-2	2-3
210h	1-2	1-2	1-2	1-2	2-3	1-2
218h	1-2	1-2	1-2	1-2	2-3	2-3
220h	1-2	1-2	1-2	2-3	1-2	1-2
228h	1-2	1-2	1-2	2-3	1-2	2-3
230h	1-2	1-2	1-2	2-3	2-3	1-2
238h	1-2	1-2	1-2	2-3	2-3	2-3
240h	1-2	1-2	2-3	1-2	1-2	1-2
248h	1-2	1-2	2-3	1-2	1-2	2-3
250h	1-2	1-2	2-3	1-2	2-3	1-2
258h	1-2	1-2	2-3	1-2	2-3	2-3
260h	1-2	1-2	2-3	2-3	1-2	1-2
268h	1-2	1-2	2-3	2-3	1-2	2-3
270h	1-2	1-2	2-3	2-3	2-3	1-2
278h	1-2	1-2	2-3	2-3	2-3	2-3

280h	1-2	2-3	1-2	1-2	1-2	1-2
288h	1-2	2-3	1-2	1-2	1-2	2-3
290h	1-2	2-3	1-2	1-2	2-3	1-2
298h	1-2	2-3	1-2	1-2	2-3	2-3
2A0h	1-2	2-3	1-2	2-3	1-2	1-2
2A8h	1-2	2-3	1-2	2-3	1-2	2-3
2B0h	1-2	2-3	1-2	2-3	2-3	1-2
2B8h	1-2	2-3	1-2	2-3	2-3	2-3
2C0h	1-2	2-3	2-3	1-2	1-2	1-2
2C8h	1-2	2-3	2-3	1-2	1-2	2-3
2D0h	1-2	2-3	2-3	1-2	2-3	1-2
2D8h	1-2	2-3	2-3	1-2	2-3	2-3
2E0h	1-2	2-3	2-3	2-3	1-2	1-2
2E8h	1-2	2-3	2-3	2-3	1-2	2-3
2F0h	1-2	2-3	2-3	2-3	2-3	1-2
2F8h	1-2	2-3	2-3	2-3	2-3	2-3
300h	2-3	1-2	1-2	1-2	1-2	1-2
308h	2-3	1-2	1-2	1-2	1-2	2-3
310h	2-3	1-2	1-2	1-2	2-3	1-2
318h	2-3	1-2	1-2	1-2	2-3	2-3
320h	2-3	1-2	1-2	2-3	1-2	1-2
328h	2-3	1-2	1-2	2-3	1-2	2-3
330h	2-3	1-2	1-2	2-3	2-3	1-2
338h	2-3	1-2	1-2	2-3	2-3	2-3
340h	2-3	1-2	2-3	1-2	1-2	1-2
348h	2-3	1-2	2-3	1-2	1-2	2-3
350h	2-3	1-2	2-3	1-2	2-3	1-2
358h	2-3	1-2	2-3	1-2	2-3	2-3
360h	2-3	1-2	2-3	2-3	1-2	1-2
368h	2-3	1-2	2-3	2-3	1-2	2-3
370h	2-3	1-2	2-3	2-3	2-3	1-2
378h	2-3	1-2	2-3	2-3	2-3	2-3
380h	2-3	2-3	1-2	1-2	1-2	1-2
388h	2-3	2-3	1-2	1-2	1-2	2-3
390h	2-3	2-3	1-2	1-2	2-3	1-2
398h	2-3	2-3	1-2	1-2	2-3	2-3
3A0h	2-3	2-3	1-2	2-3	1-2	1-2
3A8h	2-3	2-3	1-2	2-3	1-2	2-3
3B0h	2-3	2-3	1-2	2-3	2-3	1-2
3B8h	2-3	2-3	1-2	2-3	2-3	2-3
3C0h	2-3	2-3	2-3	1-2	1-2	1-2
3C8h	2-3	2-3	2-3	1-2	1-2	2-3
3D0h	2-3	2-3	2-3	1-2	2-3	1-2
3D8h	2-3	2-3	2-3	1-2	2-3	2-3
3E0h	2-3	2-3	2-3	2-3	1-2	1-2
3E8h	2-3	2-3	2-3	2-3	1-2	2-3
3F0h	2-3	2-3	2-3	2-3	2-3	1-2
3F8h	2-3	2-3	2-3	2-3	2-3	2-3

Base Memory Address

	J14	J15	J16	J17
C000h	1-2	1-2	1-2	1-2
C400h	1-2	1-2	1-2	2-3
C800h	1-2	1-2	2-3	1-2
CC00h	1-2	1-2	2-3	2-3

D000h 1-2	2-3	1-2	1-2
D400h 1-2	2-3	1-2	2-3
D800h 1-2	2-3	2-3	1-2
DC00h 1-2	2-3	2-3	2-3
E000h 2-3	1-2	1-2	1-2
E400h 2-3	1-2	1-2	2-3
E800h 2-3	1-2	2-3	1-2
EC00h 2-3	1-2	2-3	2-3

Racore Computer

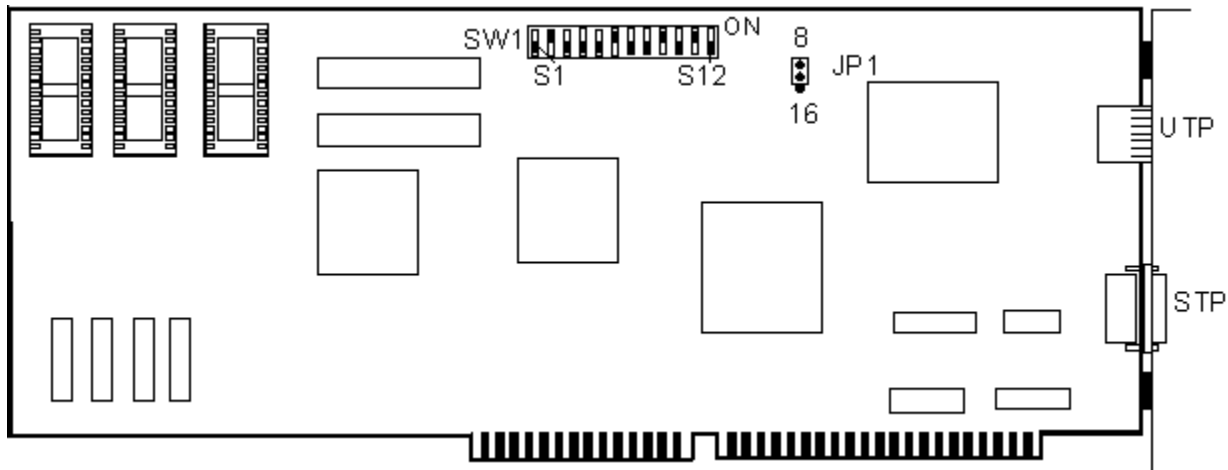
Windows NT Adapter help currently includes the following Racore Computer network cards:

Racore Computer M8113 16-4 Token Ring

Racore Computer M8114 16-4 Token Ring

Racore Computer M8115 16-4 Token Ring

Racore Computer M8113 16-4 Token Ring



This is the Racore Computer M8113 16-4 Token Ring Network Adapter card shown. Listed below are the possible Interrupt Request Line (IRQ), Base I/O Address, and Base Memory Address jumper/switch configurations:

Setup Choice for Windows NT 3.1

Interrupt Request Line (IRQ)

	SW1	
	S3	S4
IRQ3	ON	ON
IRQ9	OFF	ON
IRQ10	ON	OFF
IRQ11	OFF	OFF

Base I/O Address

	SW1	
	S1	S2
0A00h	ON	ON
0A20h	OFF	ON
0A40h	ON	OFF
0A60h	OFF	OFF

Base Memory Address

	J5	J6
CC00h	ON	ON
D000h	OFF	ON
D800h	ON	OFF
DC00h	OFF	OFF

Racore Computer M8114 16-4 Token Ring

This Network Adapter card is configured using the 'Reference Disk' provided with your Micro-Channel System. For further information consult the documentation provided with the Network Adapter or contact your vendor.

Setup Choice for Windows NT 3.1

Interrupt Request Line (IRQ)

Default - IRQ2

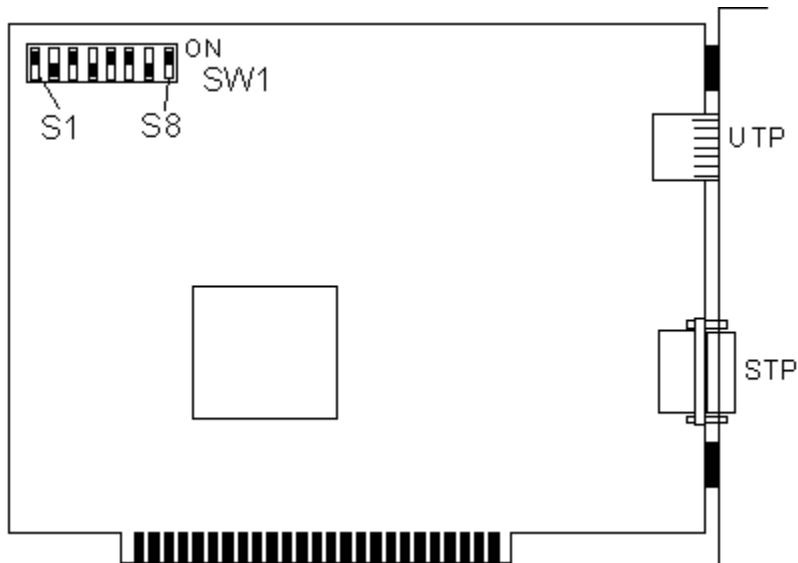
Base I/O Address

Default - A20h

Base Memory Address

Default - CC00h

Racore Computer M8115 16-4 Token Ring



This is the Racore Computer M8115 16-4 Token Ring Network Adapter card shown. Listed below are the possible Interrupt Request Line (IRQ), Base I/O Address, and Base Memory Address jumper/switch configurations:

Setup Choice for Windows NT 3.1

Interrupt Request Line (IRQ)

SW1

S2

IRQ2 OFF

IRQ3 ON

Base I/O Address

SW1

S1

0A20h ON

0A60h OFF

Base Memory Address

SW1

S3

CC00h ON

DC00h OFF

SMC ARCNET

Windows NT Adapter help currently includes the following SMC ARCNET network cards:

SMC ARCNETPC

SMC ARCNET PC100

SMC ARCNET PC110

SMC ARCNET PC130-E

SMC ARCNET PC220-120

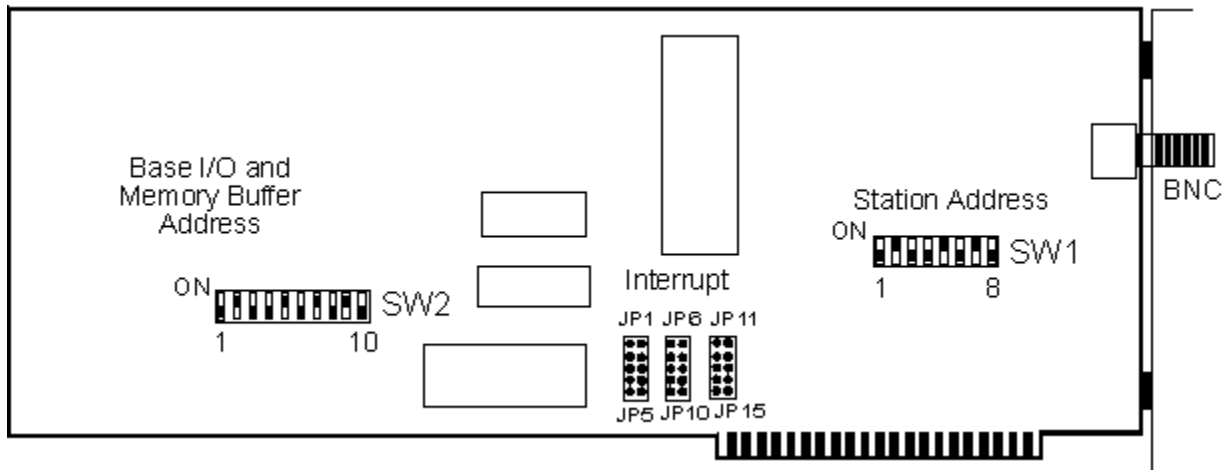
SMC ARCNET PC270-E

SMC ARCNET PC500

SMC ARCNET PC550

SMC ARCNET PC600

SMC ARCNETPC



This is the SMC ARCNETPC Network Adapter card shown. Listed below are the possible Interrupt Request Line (IRQ), Base I/O Address, and Base Memory Address jumper/switch configurations:

Setup Choice for Windows NT 3.1

Interrupt Request Line (IRQ)

	JP1	JP2	JP3	JP4	JP5
IRQ2	OFF	OFF	OFF	OFF	ON
IRQ3	OFF	OFF	OFF	ON	OFF
IRQ4	OFF	OFF	ON	OFF	OFF
IRQ5	OFF	ON	OFF	OFF	OFF
IRQ7	ON	OFF	OFF	OFF	OFF

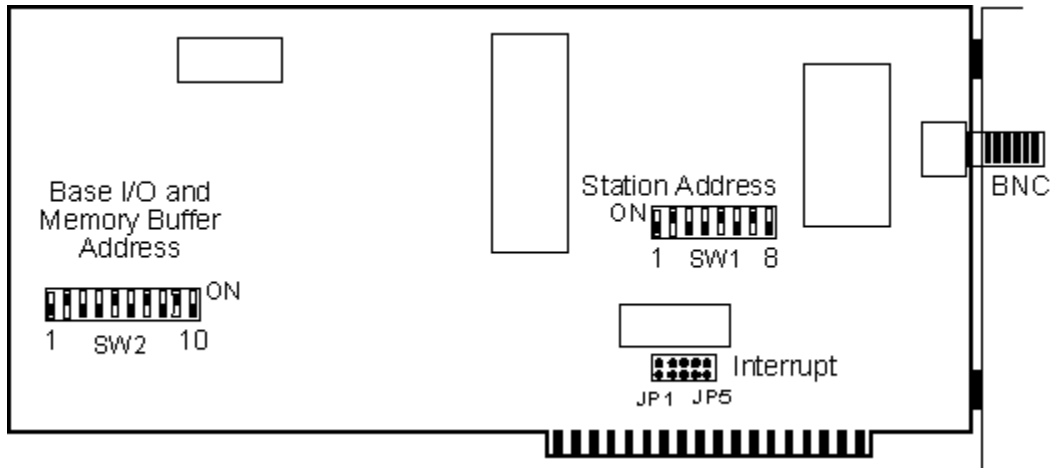
Base I/O Address

	SW2					
	S1	S2	S3	S4	S5	S6
2E0h	OFF	ON	OFF	OFF	OFF	ON
2F0h	OFF	ON	OFF	OFF	OFF	OFF
300h	OFF	OFF	ON	ON	ON	ON

Base Memory Address

	SW2			
	S7	S8	S9	S10
C000h	OFF	OFF	ON	ON
D000h	OFF	OFF	ON	OFF

SMC ARCNET PC100



This is the SMC ARCNET PC100 Network Adapter card shown. Listed below are the possible Interrupt Request Line (IRQ), Base I/O Address, and Base Memory Address jumper/switch configurations:

Setup Choice for Windows NT 3.1

Interrupt Request Line (IRQ)

	JP1	JP2	JP3	JP4	JP5
IRQ2	OFF	OFF	OFF	OFF	ON
IRQ3	OFF	OFF	OFF	ON	OFF
IRQ4	OFF	OFF	ON	OFF	OFF
IRQ5	OFF	ON	OFF	OFF	OFF
IRQ7	ON	OFF	OFF	OFF	OFF

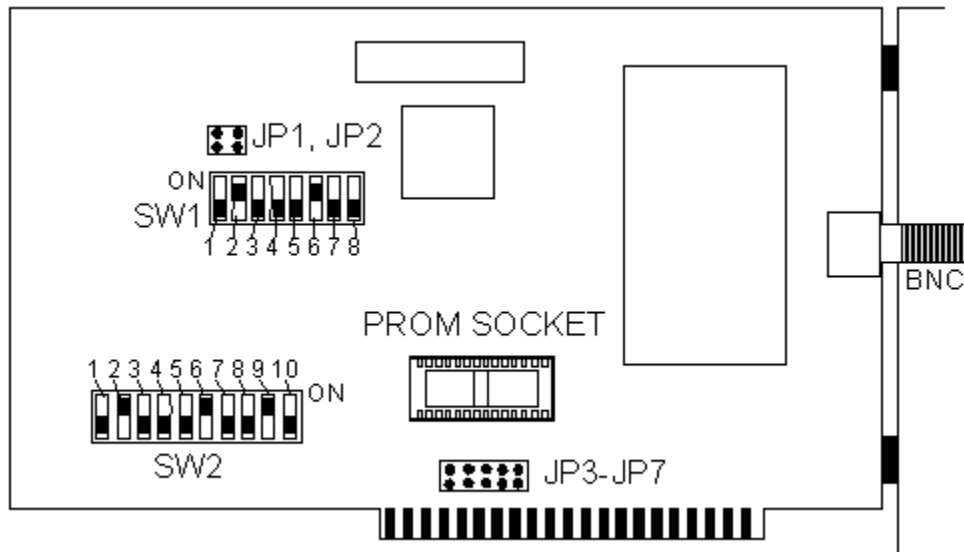
Base I/O Address

	SW2					
	S1	S2	S3	S4	S5	S6
2E0h	OFF	ON	OFF	OFF	OFF	ON
2F0h	OFF	ON	OFF	OFF	OFF	OFF
300h	OFF	OFF	ON	ON	ON	ON

Base Memory Address

	SW2			
	S7	S8	S9	S10
C000h	OFF	OFF	ON	ON
D000h	OFF	OFF	ON	OFF

SMC ARCNET PC110



This is the SMC ARCNET PC 110 Network Adapter card shown. Listed below are the possible Interrupt Request Line (IRQ), Base I/O Address, and Base Memory Address jumper/switch configurations:

Setup Choice for Windows NT 3.1

Interrupt Request Line (IRQ)

	J3	J4	J5	J6	J7
IRQ2	ON	OFF	OFF	OFF	OFF
IRQ3	OFF	ON	OFF	OFF	OFF
IRQ4	OFF	OFF	ON	OFF	OFF
IRQ5	OFF	OFF	OFF	ON	OFF
IRQ7	OFF	OFF	OFF	OFF	ON

Base I/O Address

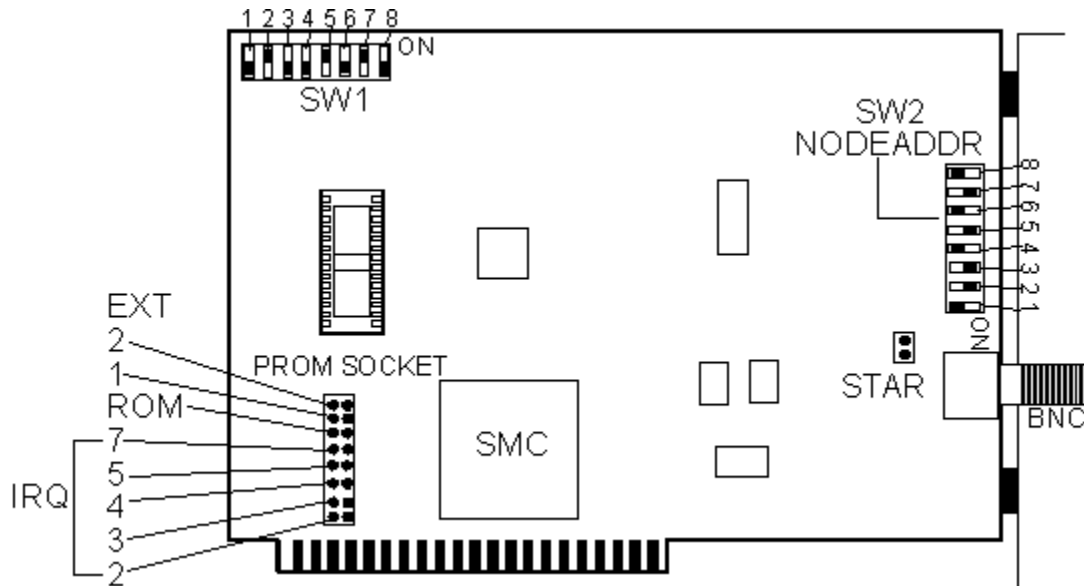
	SW2					
	S1	S2	S3	S4	S5	S6
2E0h	OFF	ON	OFF	OFF	OFF	ON
2F0h	OFF	ON	OFF	OFF	OFF	OFF
300h	OFF	OFF	ON	ON	ON	ON
310h	OFF	OFF	ON	ON	ON	OFF
320h	OFF	OFF	ON	ON	OFF	ON
330h	OFF	OFF	ON	ON	OFF	OFF
340h	OFF	OFF	ON	OFF	ON	ON
350h	OFF	OFF	ON	OFF	ON	OFF
360h	OFF	OFF	ON	OFF	OFF	ON
370h	OFF	OFF	ON	OFF	OFF	OFF
380h	OFF	OFF	OFF	ON	ON	ON

Base Memory Address

	SW2			
	S7	S8	S9	S10
C000h	OFF	OFF	ON	ON

D000h OFF OFF ON OFF

SMC ARCNET PC130-E



This is the SMC ARCNET PC130 E Network Adapter card shown. Listed below are the possible Interrupt Request Line (IRQ), Base I/O Address, and Base Memory Address jumper/switch configurations:

Setup Choice for Windows NT 3.1

Interrupt Request Line (IRQ)

	J2	J3	J4	J5	J7
IRQ2	ON	OFF	OFF	OFF	OFF
IRQ3	OFF	ON	OFF	OFF	OFF
IRQ4	OFF	OFF	ON	OFF	OFF
IRQ5	OFF	OFF	OFF	ON	OFF
IRQ7	OFF	OFF	OFF	OFF	ON

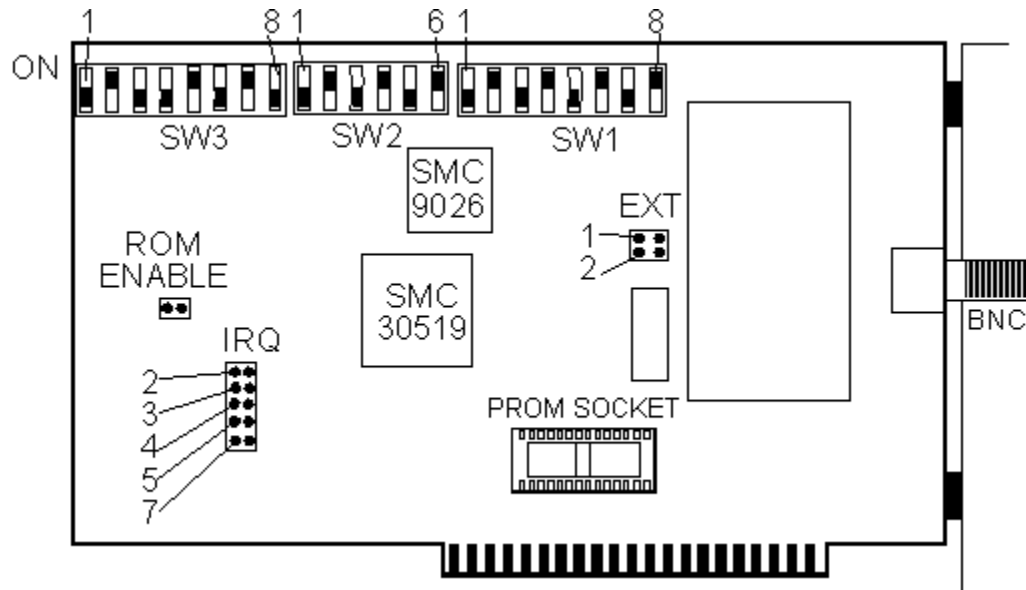
Base I/O Address

	SW1		
	S1	S2	S3
260h	ON	ON	ON
290h	ON	ON	OFF
2E0h	ON	OFF	ON
2F0h	ON	OFF	OFF
300h	OFF	ON	ON
350h	OFF	ON	OFF
380h	OFF	OFF	ON
3E0h	OFF	OFF	OFF

Base Memory Address

	SW1				
	S4	S5	S6	S7	S8
C000h	ON	ON	ON	ON	ON
D000h	ON	ON	OFF	OFF	ON

SMC ARCNET PC220-120



This is the SMC ARCNET PC220-120 Network Adapter card shown. Listed below are the possible Interrupt Request Line (IRQ), Base I/O Address, and Base Memory Address jumper/switch configurations:

Setup Choice for Windows NT 3.1

Interrupt Request Line (IRQ)

	J2	J3	J4	J5	J7
IRQ2	ON	OFF	OFF	OFF	OFF
IRQ3	OFF	ON	OFF	OFF	OFF
IRQ4	OFF	OFF	ON	OFF	OFF
IRQ5	OFF	OFF	OFF	ON	OFF
IRQ7	OFF	OFF	OFF	OFF	ON

Base I/O Address

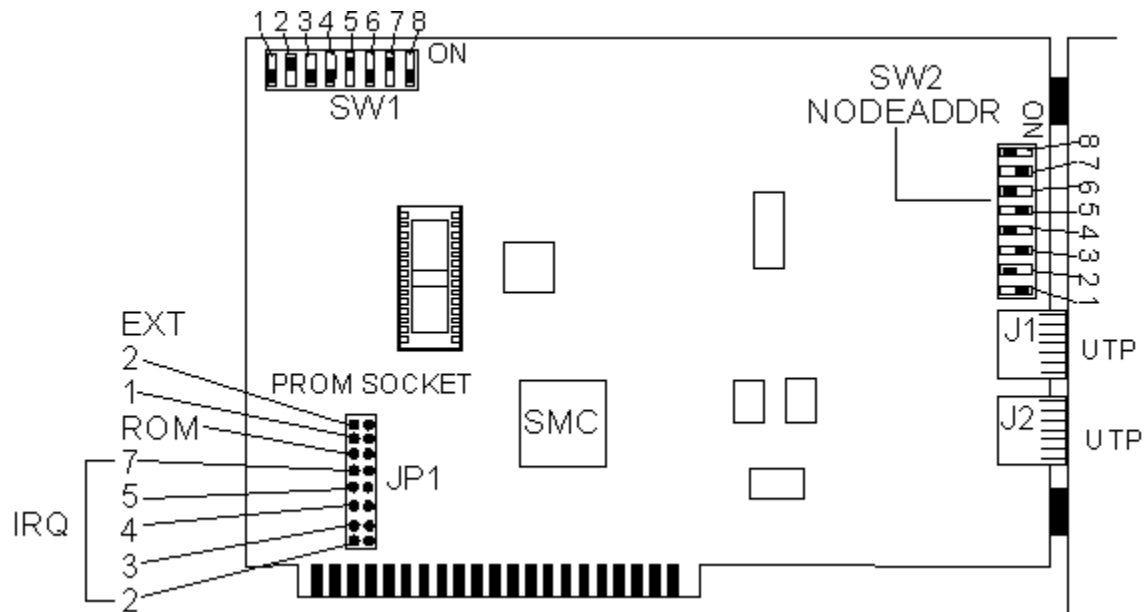
	SW2					
	S1	S2	S3	S4	S5	S6
200h	OFF	ON	ON	ON	ON	ON
210h	OFF	ON	ON	ON	ON	OFF
220h	OFF	ON	ON	ON	OFF	ON
230h	OFF	ON	ON	ON	OFF	OFF
240h	OFF	ON	ON	OFF	ON	ON
250h	OFF	ON	ON	OFF	ON	OFF
260h	OFF	ON	ON	OFF	OFF	ON
270h	OFF	ON	ON	OFF	OFF	OFF
280h	OFF	ON	OFF	ON	ON	ON
290h	OFF	ON	OFF	ON	ON	OFF
2A0h	OFF	ON	OFF	ON	OFF	ON
2B0h	OFF	ON	OFF	ON	OFF	OFF
2C0h	OFF	ON	OFF	OFF	ON	ON
2D0h	OFF	ON	OFF	OFF	ON	OFF
2E0h	OFF	ON	OFF	OFF	OFF	ON

2F0h	OFF	ON	OFF	OFF	OFF	OFF	OFF
300h	OFF	OFF	ON	ON	ON	ON	ON
310h	OFF	OFF	ON	ON	ON	OFF	OFF
320h	OFF	OFF	ON	ON	OFF	ON	ON
330h	OFF	OFF	ON	ON	OFF	OFF	OFF
340h	OFF	OFF	ON	OFF	ON	ON	ON
350h	OFF	OFF	ON	OFF	ON	OFF	OFF
360h	OFF	OFF	ON	OFF	OFF	ON	ON
370h	OFF	OFF	ON	OFF	OFF	OFF	OFF
380h	OFF	OFF	OFF	ON	ON	ON	ON
390h	OFF	OFF	OFF	ON	ON	OFF	OFF
3A0h	OFF	OFF	OFF	ON	OFF	ON	ON
3B0h	OFF	OFF	OFF	ON	OFF	OFF	OFF
3C0h	OFF	OFF	OFF	OFF	ON	ON	ON
3D0h	OFF	OFF	OFF	OFF	ON	OFF	OFF
3E0h	OFF	OFF	OFF	OFF	OFF	ON	ON
3F0h	OFF	OFF	OFF	OFF	OFF	OFF	OFF

Base Memory Address

	SW3								
	S1	S2	S3	S4	S5	S6	S7	S8	
C000h	OFF	OFF	ON	ON	ON	ON	ON	ON	
C800h	OFF	OFF	ON	ON	OFF	ON	ON	ON	
D000h	OFF	OFF	ON	ON	OFF	ON	ON	ON	ON

SMC ARCNET PC270-E



This is the SMC ARCNET PC270-E Network Adapter card shown. Listed below are the possible Interrupt Request Line (IRQ), Base I/O Address, and Base Memory Address jumper/switch configurations:

Setup Choice for Windows NT 3.1

Interrupt Request Line (IRQ)

	J2	J3	J4	J5	J7
IRQ2	ON	OFF	OFF	OFF	OFF
IRQ3	OFF	ON	OFF	OFF	OFF
IRQ4	OFF	OFF	ON	OFF	OFF
IRQ5	OFF	OFF	OFF	ON	OFF
IRQ7	OFF	OFF	OFF	OFF	ON

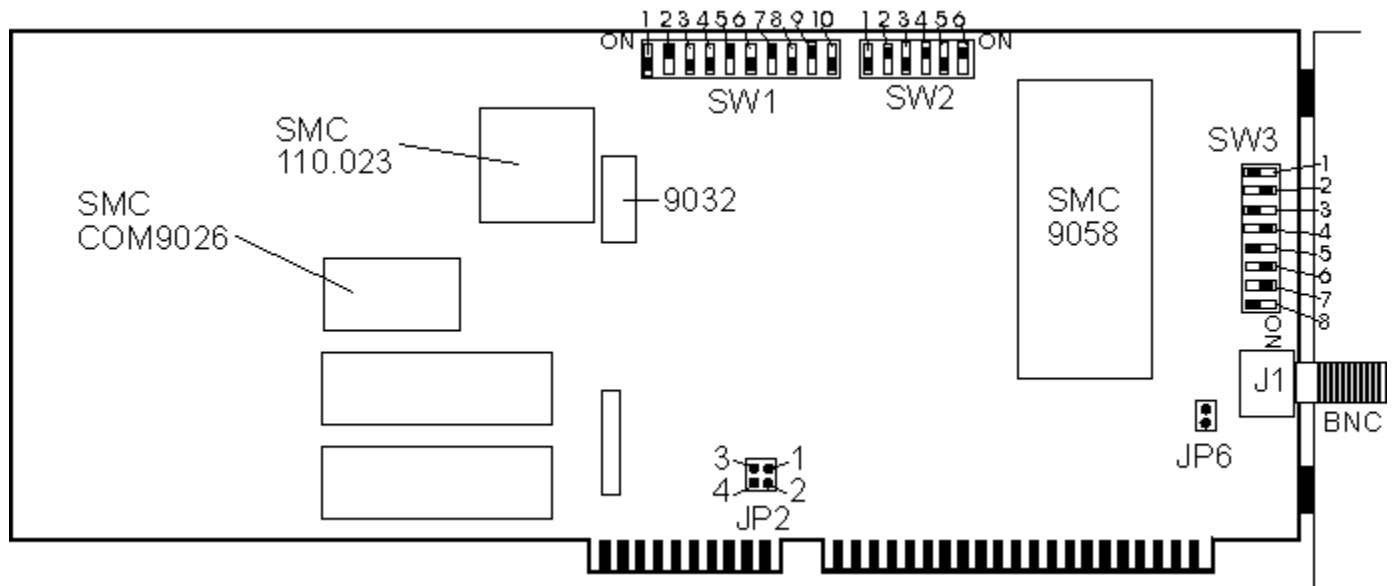
Base I/O Address

	SW1		
	S1	S2	S3
260h	ON	ON	ON
290h	ON	ON	OFF
2E0h	ON	OFF	ON
2F0h	ON	OFF	OFF
300h	OFF	ON	ON
350h	OFF	ON	OFF
380h	OFF	OFF	ON
3E0h	OFF	OFF	OFF

Base Memory Address

	SW1				
	S4	S5	S6	S7	S8
C000h	ON	ON	ON	ON	ON
D000h	ON	ON	OFF	OFF	ON

SMC ARCNET PC500



This is the SMC ARCNET PC500 Network Adapter card shown. Listed below are the possible Interrupt Request Line (IRQ), Base I/O Address, and Base Memory Address jumper/switch configurations:

Setup Choice for Windows NT 3.1

Interrupt Request Line (IRQ)

	SW1			
	S7	S8	S9	S10
IRQ3	OFF	OFF	ON	ON
IRQ4	ON	ON	OFF	ON
IRQ5	OFF	ON	OFF	ON
IRQ7	OFF	OFF	OFF	ON
IRQ9	OFF	ON	ON	OFF
IRQ10	ON	OFF	ON	OFF
IRQ11	OFF	OFF	ON	OFF
IRQ12	ON	ON	OFF	OFF

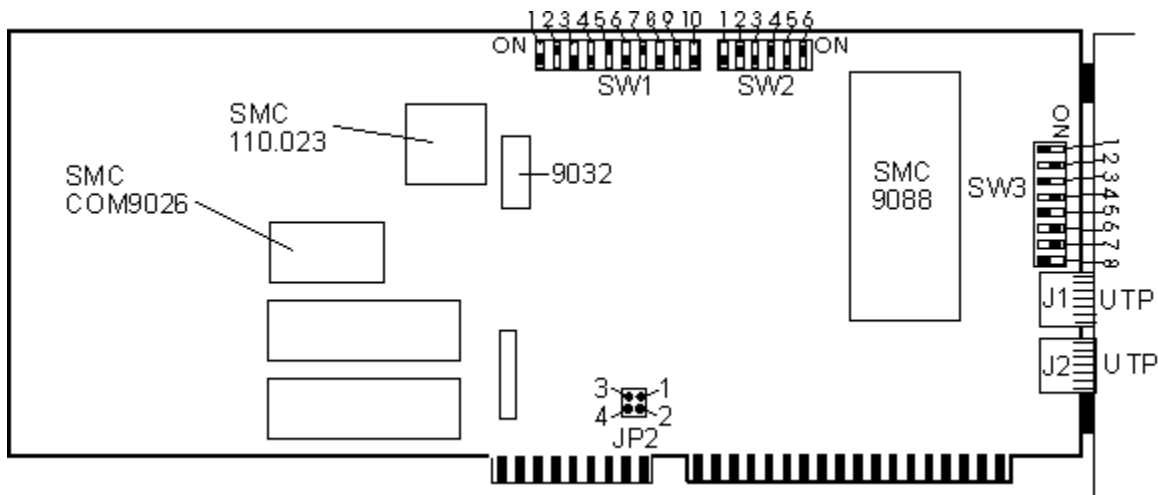
Base I/O Address

	SW1					
	S1	S2	S3	S4	S5	S6
200h	ON	ON	ON	ON	ON	OFF
210h	OFF	ON	ON	ON	ON	OFF
220h	ON	OFF	ON	ON	ON	OFF
230h	OFF	OFF	ON	ON	ON	OFF
240h	ON	ON	OFF	ON	ON	OFF
250h	OFF	ON	OFF	ON	ON	OFF
260h	ON	OFF	OFF	ON	ON	OFF
270h	OFF	OFF	OFF	ON	ON	OFF
280h	ON	ON	ON	OFF	ON	OFF
290h	OFF	ON	ON	OFF	ON	OFF
2A0h	ON	OFF	ON	OFF	ON	OFF

2B0h	OFF	OFF	ON	OFF	ON	OFF
2C0h	ON	ON	OFF	OFF	ON	OFF
2D0h	OFF	ON	OFF	OFF	ON	OFF
2E0h	ON	OFF	OFF	OFF	ON	OFF
2F0h	OFF	OFF	OFF	OFF	ON	OFF
300h	ON	ON	ON	ON	OFF	OFF
310h	OFF	ON	ON	ON	OFF	OFF
320h	ON	OFF	ON	ON	OFF	OFF
330h	OFF	OFF	ON	ON	OFF	OFF
340h	ON	ON	OFF	ON	OFF	OFF
350h	OFF	ON	OFF	ON	OFF	OFF
360h	ON	OFF	OFF	ON	OFF	OFF
370h	OFF	OFF	OFF	ON	OFF	OFF
380h	ON	ON	ON	OFF	OFF	OFF
390h	OFF	ON	ON	OFF	OFF	OFF
3A0h	ON	OFF	ON	OFF	OFF	OFF
3B0h	OFF	OFF	ON	OFF	OFF	OFF
3C0h	ON	ON	OFF	OFF	OFF	OFF
3D0h	OFF	ON	OFF	OFF	OFF	OFF
3E0h	ON	OFF	OFF	OFF	OFF	OFF
3F0h	OFF	OFF	OFF	OFF	OFF	OFF

Base Memory Address
NOT USED

SMC ARCNET PC550



This is the SMC ARCNET PC550 Network Adapter card shown. Listed below are the possible Interrupt Request Line (IRQ), Base I/O Address, and Base Memory Address jumper/switch configurations:

Setup Choice for Windows NT 3.1

Interrupt Request Line (IRQ)

	SW1			
	S7	S8	S9	S10
IRQ3	OFF	OFF	ON	ON
IRQ4	ON	ON	OFF	ON
IRQ5	OFF	ON	OFF	ON
IRQ7	OFF	OFF	OFF	ON
IRQ9	OFF	ON	ON	OFF
IRQ10	ON	OFF	ON	OFF
IRQ11	OFF	OFF	ON	OFF
IRQ12	ON	ON	OFF	OFF

Base I/O Address

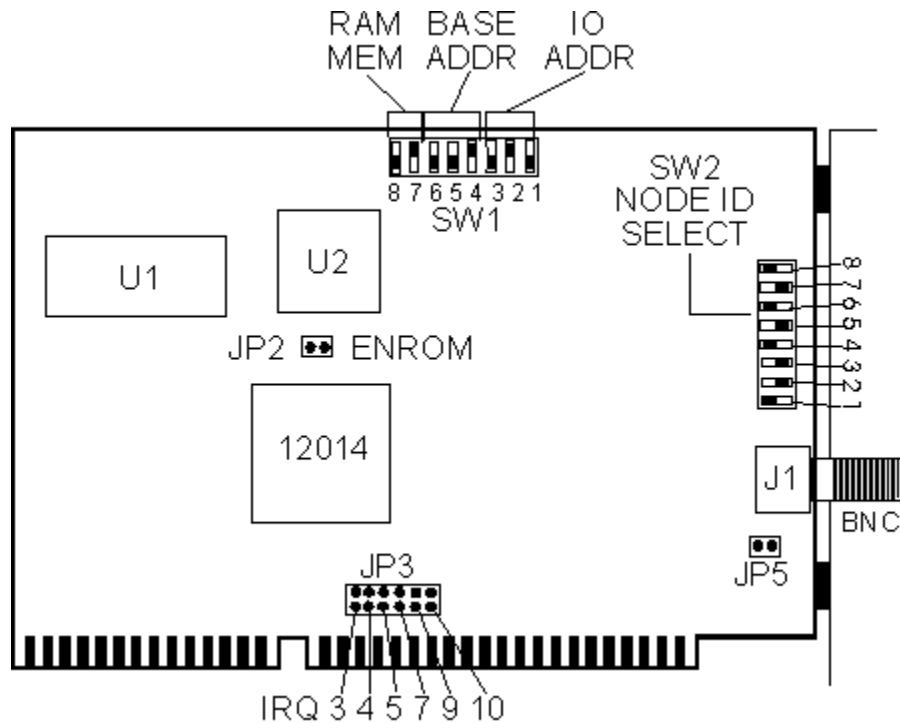
	SW1					
	S1	S2	S3	S4	S5	S6
200h	ON	ON	ON	ON	ON	OFF
210h	OFF	ON	ON	ON	ON	OFF
220h	ON	OFF	ON	ON	ON	OFF
230h	OFF	OFF	ON	ON	ON	OFF
240h	ON	ON	OFF	ON	ON	OFF
250h	OFF	ON	OFF	ON	ON	OFF
260h	ON	OFF	OFF	ON	ON	OFF
270h	OFF	OFF	OFF	ON	ON	OFF
280h	ON	ON	ON	OFF	ON	OFF
290h	OFF	ON	ON	OFF	ON	OFF
2A0h	ON	OFF	ON	OFF	ON	OFF
2B0h	OFF	OFF	ON	OFF	ON	OFF
2C0h	ON	ON	OFF	OFF	ON	OFF
2D0h	OFF	ON	OFF	OFF	ON	OFF

2E0h	ON	OFF	OFF	OFF	ON	OFF
2F0h	OFF	OFF	OFF	OFF	ON	OFF
300h	ON	ON	ON	ON	OFF	OFF
310h	OFF	ON	ON	ON	OFF	OFF
320h	ON	OFF	ON	ON	OFF	OFF
330h	OFF	OFF	ON	ON	OFF	OFF
340h	ON	ON	OFF	ON	OFF	OFF
350h	OFF	ON	OFF	ON	OFF	OFF
360h	ON	OFF	OFF	ON	OFF	OFF
370h	OFF	OFF	OFF	ON	OFF	OFF
380h	ON	ON	ON	OFF	OFF	OFF
390h	OFF	ON	ON	OFF	OFF	OFF
3A0h	ON	OFF	ON	OFF	OFF	OFF
3B0h	OFF	OFF	ON	OFF	OFF	OFF
3C0h	ON	ON	OFF	OFF	OFF	OFF
3D0h	OFF	ON	OFF	OFF	OFF	OFF
3E0h	ON	OFF	OFF	OFF	OFF	OFF
3F0h	OFF	OFF	OFF	OFF	OFF	OFF

Base Memory Address

NOT USED

SMC ARCNET PC600



This is the SMC ARCNET PC600 Network Adapter card shown. Listed below are the possible Interrupt Request Line (IRQ), Base I/O Address, and Base Memory Address jumper/switch configurations:

Setup Choice for Windows NT 3.1

Interrupt Request Line (IRQ)

	JP3					
	J3	J4	J5	J7	J9	J10
IRQ3	ON	OFF	OFF	OFF	OFF	OFF
IRQ4	OFF	ON	OFF	OFF	OFF	OFF
IRQ5	OFF	OFF	ON	OFF	OFF	OFF
IRQ7	OFF	OFF	OFF	ON	OFF	OFF
IRQ9	OFF	OFF	OFF	OFF	ON	OFF
IRQ10	OFF	OFF	OFF	OFF	OFF	ON

Base I/O Address

	SW1		
	S1	S2	S3
260h	ON	ON	ON
290h	ON	ON	OFF
2E0h	ON	OFF	ON
2F0h	ON	OFF	OFF
300h	OFF	ON	ON
350h	OFF	ON	OFF
380h	OFF	OFF	ON
3E0h	OFF	OFF	OFF

Base Memory Address

	SW2					
	S4	S5	S6	S7	S8	
C000h	ON	ON	ON	ON	ON	
D000h	ON	OFF	OFF	ON	ON	ON

Thomas Conrad

Windows NT Adapter help currently includes the following Thomas Conrad network cards:

TC6045

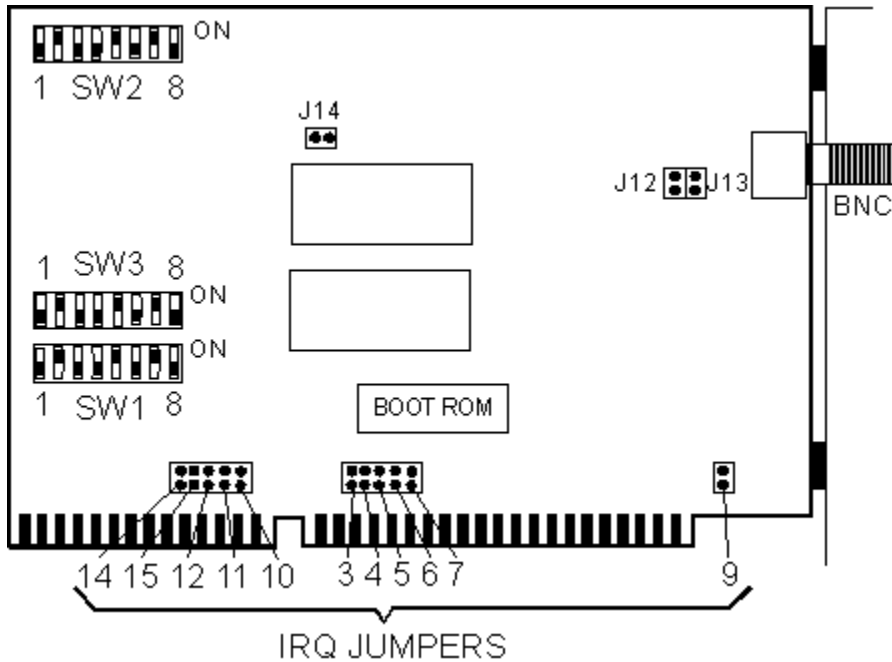
TC6142

TC6145

TC6242

TC6245

TC6045



This is the Thomas Conrad TC6045 Network Adapter card shown. Listed below are the possible Interrupt Request Line (IRQ), Base I/O Address, and Base Memory Address jumper/switch configurations:

Setup Choice for Windows NT 3.1

Interrupt Request Line (IRQ)

	J14	J15	J12	J11	J10	J3	J4	J5	J6	J7	J9
IRQ3	OFF	OFF	OFF	OFF	OFF	ON	OFF	OFF	OFF	OFF	OFF
IRQ4	OFF	OFF	OFF	OFF	OFF	OFF	ON	OFF	OFF	OFF	OFF
IRQ5	OFF	OFF	OFF	OFF	OFF	OFF	OFF	ON	OFF	OFF	OFF
IRQ6	OFF	OFF	OFF	OFF	OFF	OFF	OFF	OFF	ON	OFF	OFF
IRQ7	OFF	OFF	OFF	OFF	OFF	OFF	OFF	OFF	OFF	ON	OFF
IRQ9	OFF	OFF	OFF	OFF	OFF	OFF	OFF	OFF	OFF	OFF	ON
IRQ10	OFF	OFF	OFF	OFF	ON	OFF	OFF	OFF	OFF	OFF	OFF
IRQ11	OFF	OFF	OFF	ON	OFF	OFF	OFF	OFF	OFF	OFF	OFF
IRQ12	OFF	OFF	ON	OFF	OFF	OFF	OFF	OFF	OFF	OFF	OFF
IRQ14	ON	OFF	OFF	OFF	OFF	OFF	OFF	OFF	OFF	OFF	OFF
IRQ15	OFF	ON	OFF	OFF	OFF	OFF	OFF	OFF	OFF	OFF	OFF

Base I/O Address

	SW3					
	S3	S4	S5	S6	S7	S8
2E0h	OFF	ON	OFF	OFF	OFF	ON
2F0h	OFF	ON	OFF	OFF	OFF	OFF
300h	OFF	OFF	ON	ON	ON	ON
350h	OFF	OFF	ON	OFF	ON	OFF

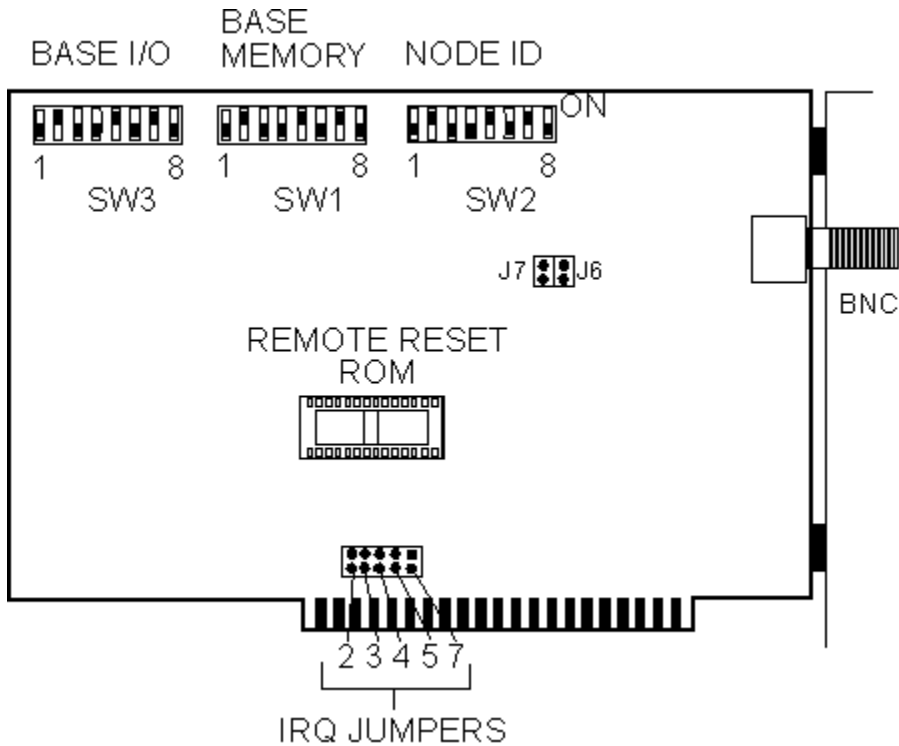
Base Memory Address

SW1

SW3

	S1	S2	S3	S4	S5	S6	S7	S8	S1	S2
C000h	ON	ON	ON	ON	OFF	OFF	ON	ON	ON	ON
C400h	ON	ON	ON	ON	OFF	OFF	ON	ON	ON	OFF
C800h	ON	ON	ON	ON	OFF	OFF	ON	ON	OFF	ON
CC00h	ON	ON	ON	ON	OFF	OFF	ON	ON	OFF	OFF
D000h	ON	ON	ON	ON	OFF	OFF	ON	OFF	ON	ON
D400h	ON	ON	ON	ON	OFF	OFF	ON	OFF	ON	OFF
D800h	ON	ON	ON	ON	OFF	OFF	ON	OFF	OFF	ON
DC00h	ON	ON	ON	ON	OFF	OFF	ON	OFF	OFF	OFF

TC6142



This is the Thomas Conrad TC6142 Network Adapter card shown. Listed below are the possible Interrupt Request Line (IRQ), Base I/O Address, and Base Memory Address jumper/switch configurations:

Setup Choice for Windows NT 3.1

Interrupt Request Line (IRQ)

	J3	J4	J5	J7	J2
IRQ2	OFF	OFF	OFF	OFF	ON
IRQ3	ON	OFF	OFF	OFF	OFF
IRQ4	OFF	ON	OFF	OFF	OFF
IRQ5	OFF	OFF	ON	OFF	OFF
IRQ7	OFF	OFF	OFF	ON	OFF

Base I/O Address

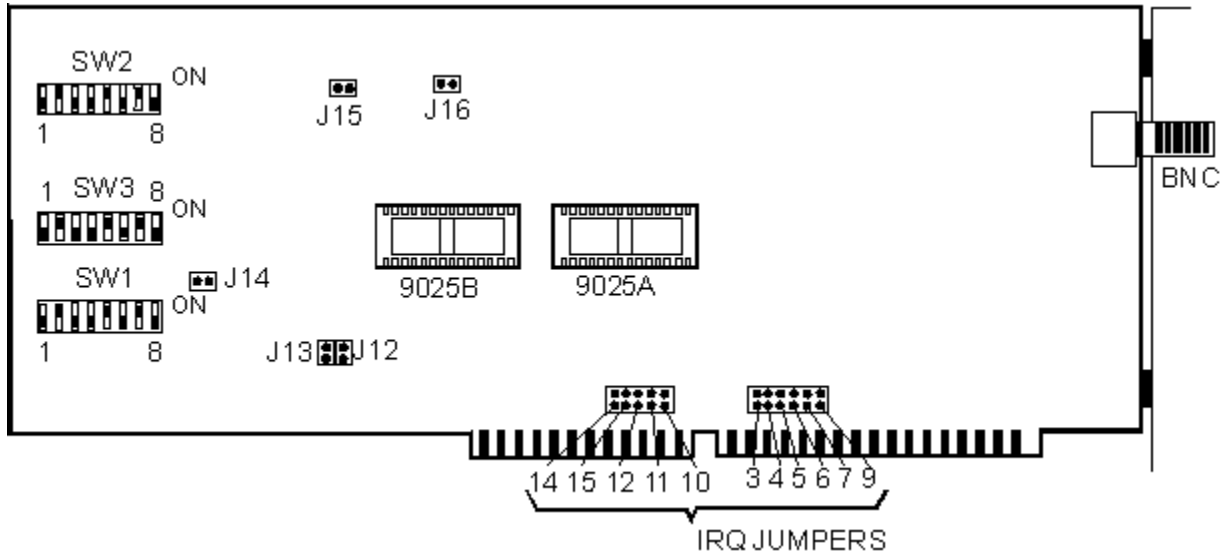
	SW3					
	S3	S4	S5	S6	S7	S8
2E0h	OFF	ON	OFF	OFF	OFF	ON
2F0h	OFF	ON	OFF	OFF	OFF	OFF
300h	OFF	OFF	ON	ON	ON	ON
350h	OFF	OFF	ON	OFF	ON	OFF

Base Memory Address

	SW1					
	S1	S2	S3	S4	S5	S6
C000h	OFF	OFF	ON	ON	ON	ON
C400h	OFF	OFF	ON	ON	ON	OFF

C800h	OFF	OFF	ON	ON	OFF	ON	
CC00h	OFF	OFF	ON	ON	OFF	OFF	
D000h	OFF	OFF	ON	OFF	ON	ON	ON
D400h	OFF	OFF	ON	OFF	ON	OFF	
D800h	OFF	OFF	ON	OFF	OFF	ON	
DC00h	OFF	OFF	ON	OFF	OFF	OFF	

TC6145



This is the Thomas Conrad TC6145 Network Adapter card shown. Listed below are the possible Interrupt Request Line (IRQ), Base I/O Address, and Base Memory Address jumper/switch configurations:

Setup Choice for Windows NT 3.1

Interrupt Request Line (IRQ)

	J14	J15	J12	J11	J10	J3	J4	J5	J6	J7	J9
IRQ3	OFF	OFF	OFF	OFF	OFF	ON	OFF	OFF	OFF	OFF	OFF
IRQ4	OFF	OFF	OFF	OFF	OFF	OFF	ON	OFF	OFF	OFF	OFF
IRQ5	OFF	OFF	OFF	OFF	OFF	OFF	OFF	ON	OFF	OFF	OFF
IRQ6	OFF	OFF	OFF	OFF	OFF	OFF	OFF	OFF	ON	OFF	OFF
IRQ7	OFF	OFF	OFF	OFF	OFF	OFF	OFF	OFF	OFF	ON	OFF
IRQ9	OFF	OFF	OFF	OFF	OFF	OFF	OFF	OFF	OFF	OFF	ON
IRQ10	OFF	OFF	OFF	OFF	ON	OFF	OFF	OFF	OFF	OFF	OFF
IRQ11	OFF	OFF	OFF	ON	OFF	OFF	OFF	OFF	OFF	OFF	OFF
IRQ12	OFF	OFF	ON	OFF	OFF	OFF	OFF	OFF	OFF	OFF	OFF
IRQ14	ON	OFF	OFF	OFF	OFF	OFF	OFF	OFF	OFF	OFF	OFF
IRQ15	OFF	ON	OFF	OFF	OFF	OFF	OFF	OFF	OFF	OFF	OFF

Base I/O Address

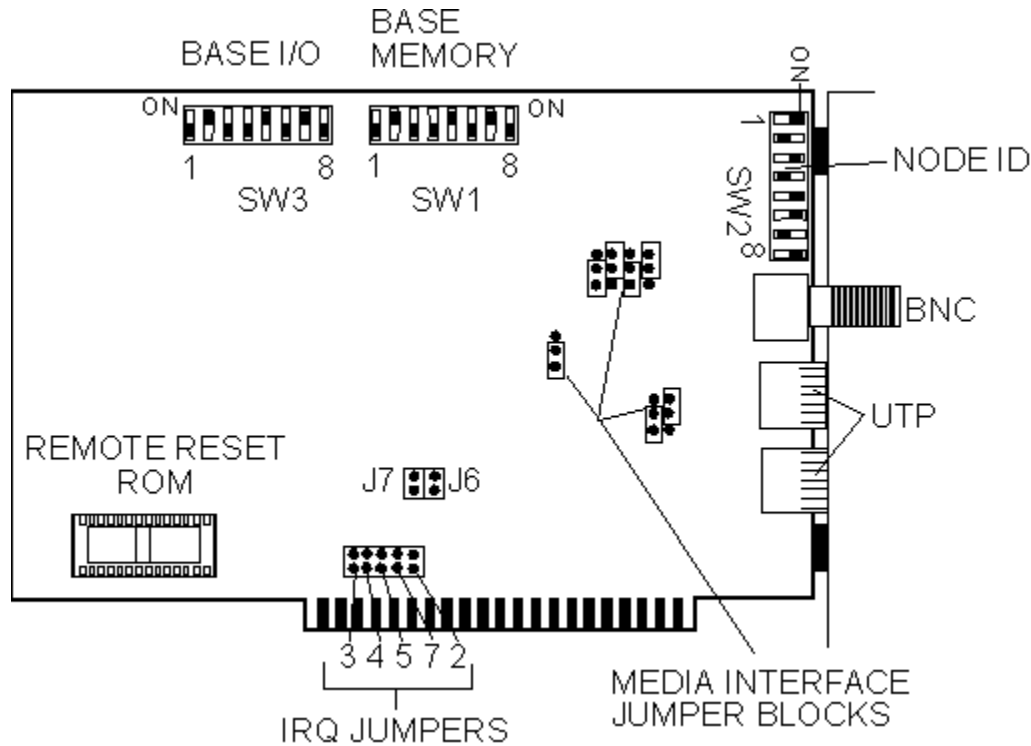
	SW3					
	S3	S4	S5	S6	S7	S8
2E0h	OFF	ON	OFF	OFF	OFF	ON
2F0h	OFF	ON	OFF	OFF	OFF	OFF
300h	OFF	OFF	ON	ON	ON	ON
350h	OFF	OFF	ON	OFF	ON	OFF

Base Memory Address

	SW1								SW3	
	S1	S2	S3	S4	S5	S6	S7	S8	S1	S2
C000h	ON	ON	ON	ON	OFF	OFF	ON	ON	ON	ON
C400h	ON	ON	ON	ON	OFF	OFF	ON	ON	ON	OFF
C800h	ON	ON	ON	ON	OFF	OFF	ON	ON	OFF	ON

CC00h ON	ON	ON	ON	OFF	OFF	ON	ON	OFF	OFF	
D000h	ON	ON	ON	ON	OFF	OFF	ON	OFF	ON	ON
D400h ON	ON	ON	ON	OFF	OFF	ON	OFF	ON	OFF	
D800h ON	ON	ON	ON	OFF	OFF	ON	OFF	OFF	ON	
DC00h ON	ON	ON	ON	OFF	OFF	ON	OFF	OFF	OFF	

TC6242



This is the Thomas Conrad TC6242 Network Adapter card shown. Listed below are the possible Interrupt Request Line (IRQ), Base I/O Address, and Base Memory Address jumper/switch configurations:

Setup Choice for Windows NT 3.1

Interrupt Request Line (IRQ)

	J3	J4	J5	J7	J2
IRQ2	OFF	OFF	OFF	OFF	ON
IRQ3	ON	OFF	OFF	OFF	OFF
IRQ4	OFF	ON	OFF	OFF	OFF
IRQ5	OFF	OFF	ON	OFF	OFF
IRQ7	OFF	OFF	OFF	ON	OFF

Base I/O Address

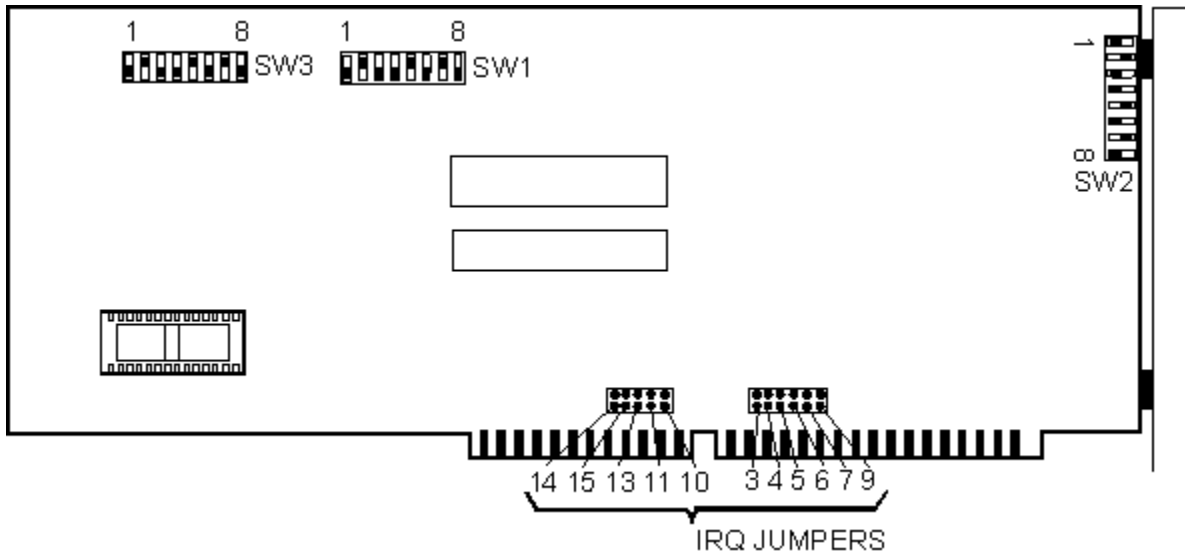
	SW3					
	S3	S4	S5	S6	S7	S8
2E0h	OFF	ON	OFF	OFF	OFF	ON
2F0h	OFF	ON	OFF	OFF	OFF	OFF
300h	OFF	OFF	ON	ON	ON	ON
350h	OFF	OFF	ON	OFF	ON	OFF

Base Memory Address

	SW1					
	S1	S2	S3	S4	S5	S6
C000h	OFF	OFF	ON	ON	ON	ON
C400h	OFF	OFF	ON	ON	ON	OFF

C800h	OFF	OFF	ON	ON	OFF	ON	
CC00h	OFF	OFF	ON	ON	OFF	OFF	
D000h	OFF	OFF	ON	OFF	ON	ON	ON
D400h	OFF	OFF	ON	OFF	ON	OFF	
D800h	OFF	OFF	ON	OFF	OFF	ON	
DC00h	OFF	OFF	ON	OFF	OFF	OFF	

TC6245



This is the Thomas Conrad TC6245 Network Adapter card shown. Listed below are the possible Interrupt Request Line (IRQ), Base I/O Address, and Base Memory Address jumper/switch configurations:

Setup Choice for Windows NT 3.1

Interrupt Request Line (IRQ)

	J14	J15	J13	J11	J10	J3	J4	J5	J6	J7	J9
IRQ3	OFF	OFF	OFF	OFF	OFF	ON	OFF	OFF	OFF	OFF	OFF
IRQ4	OFF	OFF	OFF	OFF	OFF	OFF	ON	OFF	OFF	OFF	OFF
IRQ5	OFF	OFF	OFF	OFF	OFF	OFF	OFF	ON	OFF	OFF	OFF
IRQ6	OFF	OFF	OFF	OFF	OFF	OFF	OFF	OFF	ON	OFF	OFF
IRQ7	OFF	OFF	OFF	OFF	OFF	OFF	OFF	OFF	OFF	ON	OFF
IRQ9	OFF	OFF	OFF	OFF	OFF	OFF	OFF	OFF	OFF	OFF	ON
IRQ10	OFF	OFF	OFF	OFF	ON	OFF	OFF	OFF	OFF	OFF	OFF
IRQ11	OFF	OFF	OFF	ON	OFF	OFF	OFF	OFF	OFF	OFF	OFF
IRQ13	OFF	OFF	ON	OFF	OFF	OFF	OFF	OFF	OFF	OFF	OFF
IRQ14	ON	OFF	OFF	OFF	OFF	OFF	OFF	OFF	OFF	OFF	OFF
IRQ15	OFF	ON	OFF	OFF	OFF	OFF	OFF	OFF	OFF	OFF	OFF

Base I/O Address

	SW3					
	S3	S4	S5	S6	S7	S8
2E0h	OFF	ON	OFF	OFF	OFF	ON
2F0h	OFF	ON	OFF	OFF	OFF	OFF
380h	OFF	OFF	ON	ON	ON	ON
350h	OFF	OFF	ON	OFF	ON	OFF

Base Memory Address

	SW1					
	S1	S2	S3	S4	S5	S6
C000h	OFF	OFF	ON	ON	ON	ON
C400h	OFF	OFF	ON	ON	ON	OFF

C800h	OFF	OFF	ON	ON	OFF	ON	
CC00h	OFF	OFF	ON	ON	OFF	OFF	
D000h	OFF	OFF	ON	OFF	ON	ON	ON
D400h	OFF	OFF	ON	OFF	ON	OFF	
D800h	OFF	OFF	ON	OFF	OFF	ON	
DC00h	OFF	OFF	ON	OFF	OFF	OFF	

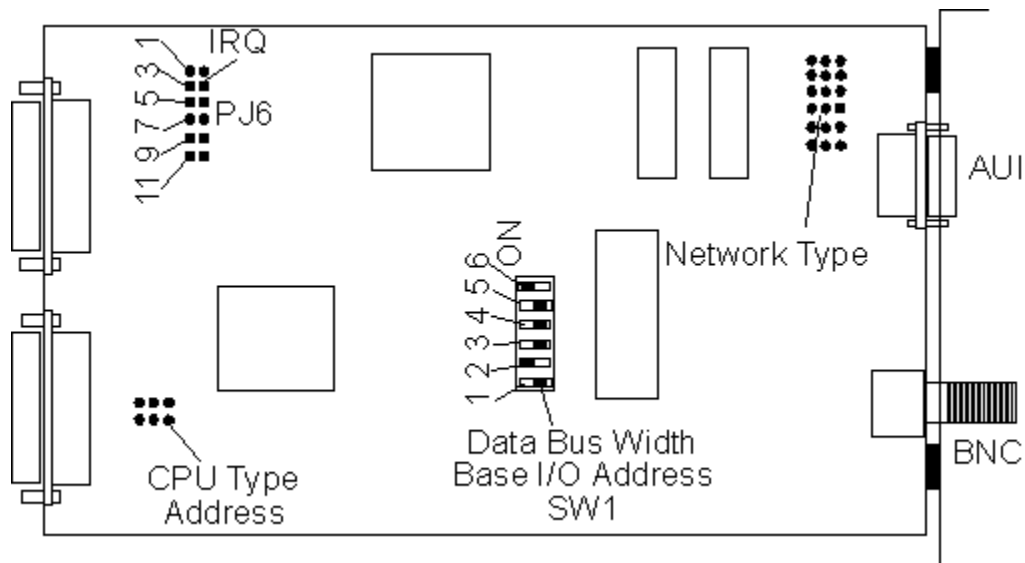
Toshiba

Windows NT Adapter help currently includes the following Toshiba network cards:

ToshibaLan Laptop

ToshibaLan Desktop

ToshibaLan Laptop



This is the Toshiba ToshibaLan Laptop Network Adapter card shown. Listed below are the possible Interrupt Request Line (IRQ), Base I/O Address, and Base Memory Address jumper/switch configurations:

Interrupt Request Line (IRQ)

	PJ6					
	J1-2	J3-4	J5-6	J7-8	J9-10	J11-12
IRQ3	OFF	OFF	OFF	OFF	OFF	ON
IRQ4	OFF	OFF	OFF	OFF	ON	OFF
IRQ5	OFF	OFF	ON	OFF	OFF	OFF
IRQ7	ON	OFF	OFF	OFF	OFF	OFF
IRQ9	OFF	OFF	OFF	ON	OFF	OFF
IRQ10	OFF	ON	OFF	OFF	OFF	OFF

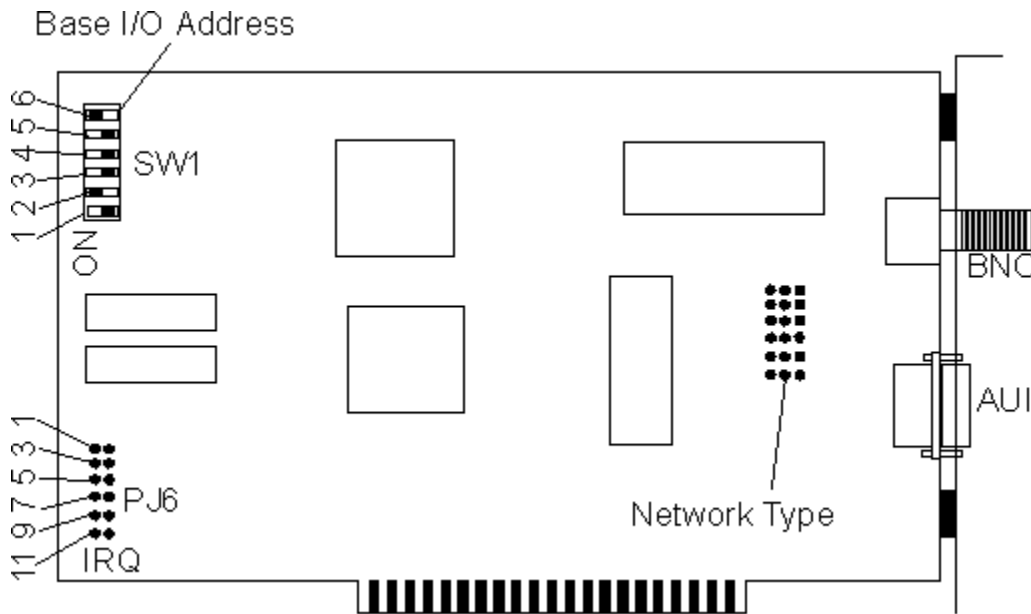
Base I/O Address

	SW1			
	S3	S4	S5	S6
200h	ON	ON	ON	ON
220h	ON	ON	ON	OFF
240h	ON	ON	OFF	ON
260h	ON	ON	OFF	OFF
280h	ON	OFF	ON	ON
2A0h	ON	OFF	ON	OFF
2C0h	ON	OFF	OFF	ON
2E0h	ON	OFF	OFF	OFF
300h	OFF	ON	ON	ON
320h	OFF	ON	ON	OFF
340h	OFF	ON	OFF	ON
360h	OFF	ON	OFF	OFF
380h	OFF	OFF	ON	ON
3A0h	OFF	OFF	ON	OFF
3C0h	OFF	OFF	OFF	ON

3E0h OFF OFF OFF OFF

Base Memory Address
SOFTWARE CONFIGURABLE

ToshibaLan Desktop



This is the ToshibaLan Desktop Network Adapter card shown. Listed below are the possible Interrupt Request Line (IRQ), Base I/O Address, and Base Memory Address jumper/switch configurations:

Interrupt Request Line (IRQ)

	PJ6					
	J1-2	J3-4	J5-6	J7-8	J9-10	J11-12
IRQ3	OFF	OFF	OFF	OFF	OFF	ON
IRQ4	OFF	OFF	OFF	OFF	ON	OFF
IRQ5	OFF	OFF	ON	OFF	OFF	OFF
IRQ7	ON	OFF	OFF	OFF	OFF	OFF
IRQ9	OFF	OFF	OFF	ON	OFF	OFF
IRQ10	OFF	ON	OFF	OFF	OFF	OFF

Base I/O Address

	SW1			
	S3	S4	S5	S6
200h	ON	ON	ON	ON
220h	ON	ON	ON	OFF
240h	ON	ON	OFF	ON
260h	ON	ON	OFF	OFF
280h	ON	OFF	ON	ON
2A0h	ON	OFF	ON	OFF
2C0h	ON	OFF	OFF	ON
2E0h	ON	OFF	OFF	OFF
300h	OFF	ON	ON	ON
320h	OFF	ON	ON	OFF
340h	OFF	ON	OFF	ON
360h	OFF	ON	OFF	OFF
380h	OFF	OFF	ON	ON

3A0h	OFF	OFF	ON	OFF
3C0h	OFF	OFF	OFF	ON
3E0h	OFF	OFF	OFF	OFF

Base Memory Address
SOFTWARE CONFIGURABLE

Ungerman Bass (UB)

Windows NT Adapter help currently includes the following Ungerman Bass network cards:

UB NIUpc

UB NIU_ps

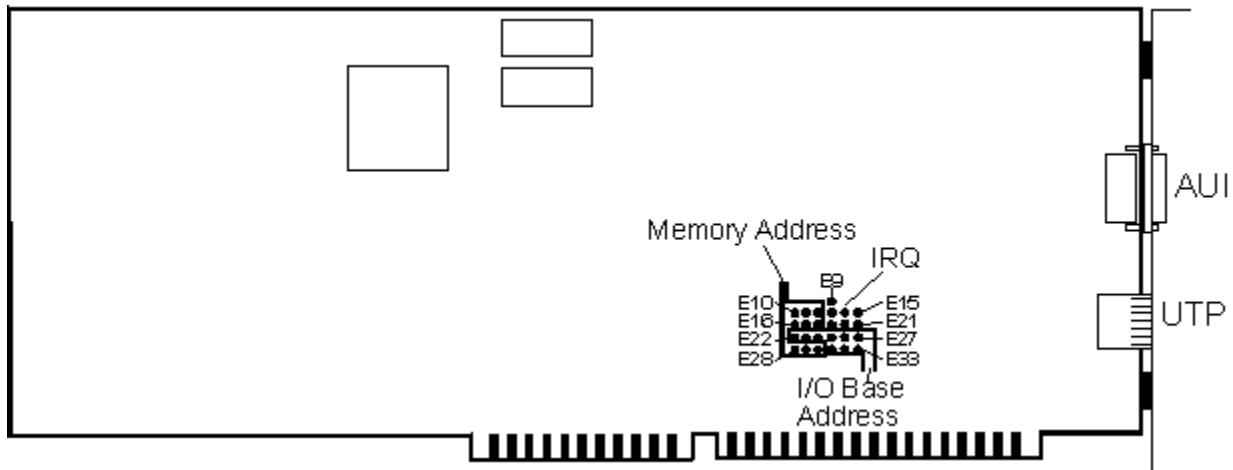
UB NIUpc EOTP

UB Network Adapter/ps

This Network Adapter card can be configured using the software supplied by the manufacturer. Please consult the documentation that came with your Network Adapter or contact the manufacturer of the Network Adapter for further information.

Setup Choice for Windows NT 3.1

UB NIUpc



This is the Ungermann-Bass NIUpc Network Adapter card shown. Listed below are the possible Interrupt Request Line (IRQ), Base I/O Address, and Base Memory Address jumper/switch configurations:

Setup Choice for Windows NT 3.1

Ungermann-Bass Ethernet NIUpc Adapter

Interrupt Request Line (IRQ)

	E13-E14	E19-E20	E14-E15	E20-E21
IRQ2	ON	OFF	OFF	OFF
IRQ3	OFF	ON	OFF	OFF
IRQ4	OFF	OFF	ON	OFF
IRQ5	OFF	OFF	OFF	ON

Base I/O Address

	E22-E23	E23-E24	E25-E26	E26-E27	E31-E32	E32-E33
350h	OFF	ON	OFF	ON	ON	OFF
358h	ON	OFF	OFF	ON	ON	OFF
360h	OFF	ON	ON	OFF	OFF	ON
368h	ON	OFF	ON	OFF	OFF	ON

Base Memory Address

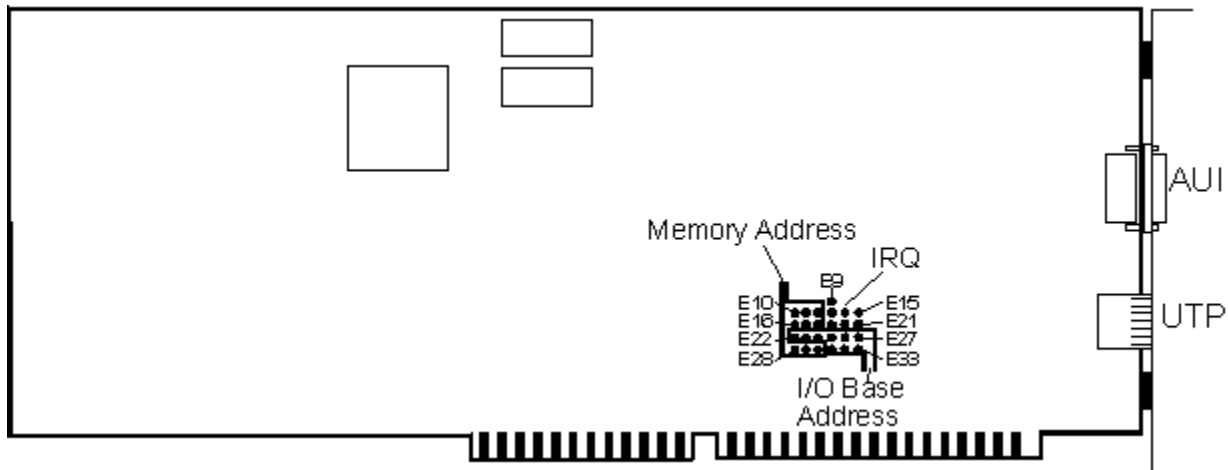
	E10-E11	E11-E12	E16-E17	E17-E18	E28-E29	E29-E30
8800h	OFF	ON	OFF	ON	OFF	ON
9800h	ON	OFF	OFF	ON	OFF	ON
A800h	OFF	ON	ON	OFF	OFF	ON
B800h	ON	OFF	ON	OFF	OFF	ON
C800h	OFF	ON	OFF	ON	ON	OFF
D800h	ON	OFF	OFF	ON	ON	OFF
E800h	OFF	ON	ON	OFF	ON	OFF
F800h	ON	OFF	ON	OFF	ON	OFF

Cabling for this Adapter

Unshielded Twisted Pair via RJ-45 Connector

Thick Ethernet via AUI Connector

UB NIUpc 3270



This is the Ungermann-Bass NIUpc3270 Network Adapter card shown. Listed below are the possible Interrupt Request Line (IRQ), Base I/O Address, and Base Memory Address jumper/switch configurations:

Setup Choice for Windows NT 3.1

Interrupt Request Line (IRQ)

	E13-E14	E19-E20	E14-E15	E20-E21
IRQ2	ON	OFF	OFF	OFF
IRQ3	OFF	ON	OFF	OFF
IRQ4	OFF	OFF	ON	OFF
IRQ5	OFF	OFF	OFF	ON

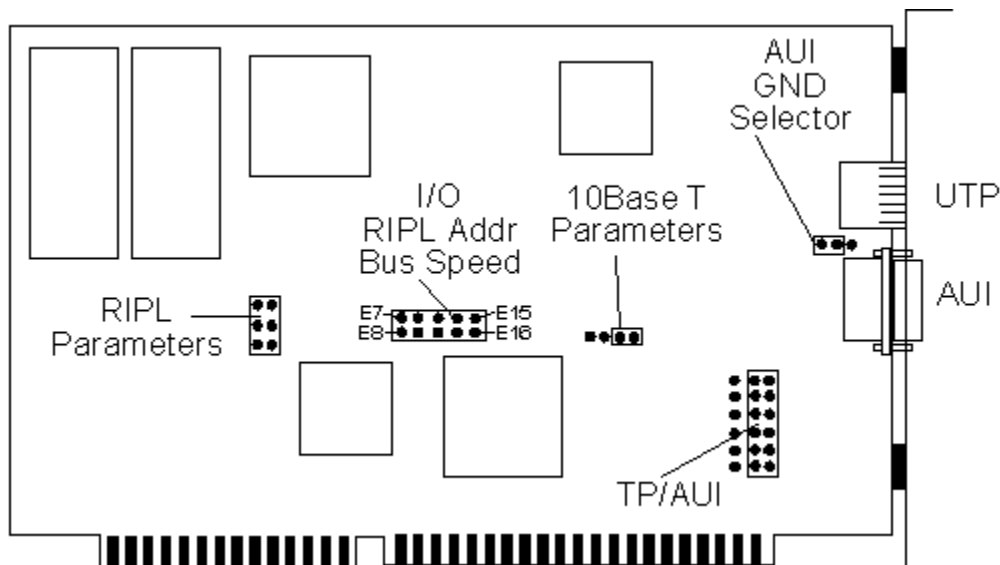
Base I/O Address

	E22-E23	E23-E24	E25-E26	E26-E27	E31-E32	E32-E33
350h	OFF	ON	OFF	ON	ON	OFF
358h	ON	OFF	OFF	ON	ON	OFF
360h	OFF	ON	ON	OFF	OFF	ON
368h	ON	OFF	ON	OFF	OFF	ON

Base Memory Address

	E10-E11	E11-E12	E16-E17	E17-E18	E28-E29	E29-E30
8800h	OFF	ON	OFF	ON	OFF	ON
9800h	ON	OFF	OFF	ON	OFF	ON
A800h	OFF	ON	ON	OFF	OFF	ON
B800h	ON	OFF	ON	OFF	OFF	ON
C800h	OFF	ON	OFF	ON	ON	OFF
D800h	ON	OFF	OFF	ON	ON	OFF
E800h	OFF	ON	ON	OFF	ON	OFF
F800h	ON	OFF	ON	OFF	ON	OFF

UB NIUpc EOTP



This is the Ungermann-Bass NIUpc EOTP Network Adapter card shown. Listed below are the possible Interrupt Request Line (IRQ), Base I/O Address, and Base Memory Address jumper/switch configurations:

Setup Choice for Windows NT 3.1

Ungermann-Bass Ethernet NIUpc/EOTP Adapter

Note1: - If problems with booting Windows NT occur when this card is configured on an EISA-bus system, run the configuration utility and then remove the configuration information for this card.

Interrupt Request Line (IRQ)

SOFTWARE CONFIGURABLE

Base I/O Address

	E11-E12	E13-E14
350h	ON	ON
358h	OFF	ON
360h	ON	OFF
368h	OFF	OFF

Base Memory Address

SOFTWARE CONFIGURABLE

TP/AUI

	1	2	3
TP	ON	ON	OFF
AUI	OFF	ON	ON

Cabling for this Adapter

- Thick Ethernet via AUI Connector
- Unshielded Twisted Pair via RJ-45 Connector

UB NIU ps

This Network Adapter card is configured using the 'Reference Disk' provided with your Micro-Channel System. For further information consult the documentation provided with the Network Adapter or contact your vendor.

Setup Choice for Windows NT 3.1

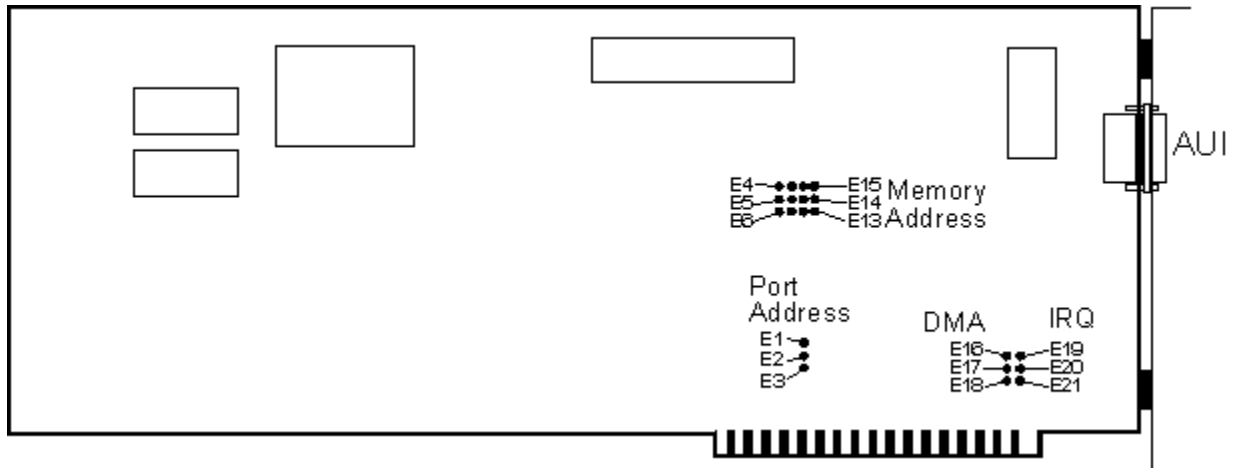
Ungermann-Bass Ethernet NIUps Adapter

Cabling for this Adapter

For Token-Ring, Shielded Twisted Pair (IBM Type 1) via DB-9 Connector

For Ethernet, Thick Ethernet via AUI Connector

UB pcNIU



This is the Ungermann-Bass pcNIU Network Adapter card shown. Listed below are the possible Interrupt Request Line (IRQ), Base I/O Address, and Base Memory Address jumper/switch configurations:

Setup Choice for Windows NT 3.1

Ungermann-Bass Ethernet NIUpc Adapter

Interrupt Request Line (IRQ)

	E19-E20	E20-E21
IRQ2	OFF	ON
IRQ5	ON	OFF

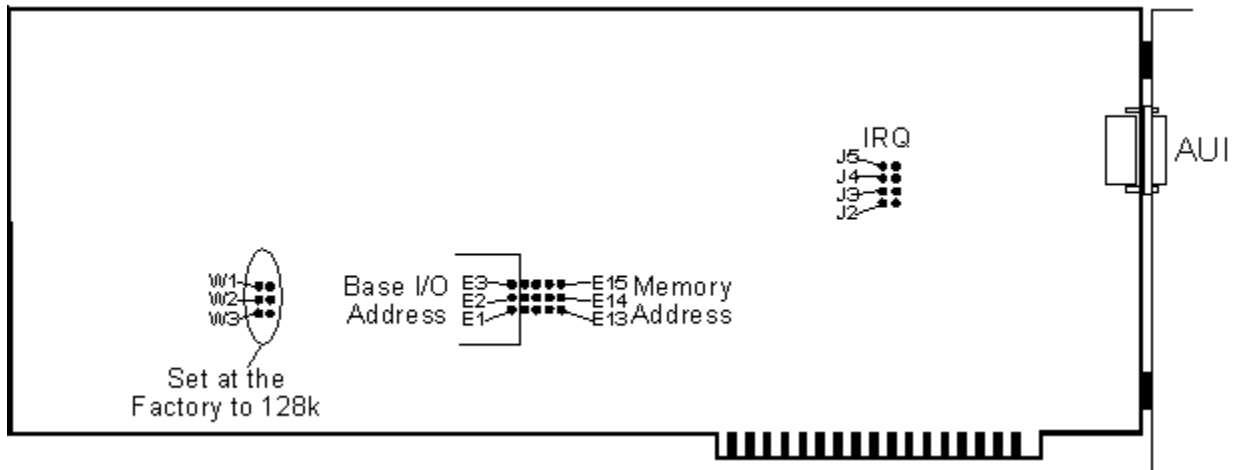
Base I/O Address

	E1-E2	E2-E3
360h	ON	OFF
368h	OFF	ON

Base Memory Address

	E4-E5	E5-E6	E7-E8	E8-E9	E10-E11	E11-E12	E13-E14	E14-E15
8000h	OFF	ON	ON	OFF	ON	OFF	ON	OFF
9000h	OFF	ON	ON	OFF	ON	OFF	OFF	ON
A000h	OFF	ON	ON	OFF	OFF	ON	ON	OFF
B000h	OFF	ON	ON	OFF	OFF	ON	OFF	ON
C000h	OFF	ON	OFF	ON	ON	OFF	ON	OFF
D000h	OFF	ON	OFF	ON	ON	OFF	OFF	ON
E000h	OFF	ON	OFF	ON	OFF	ON	ON	OFF
F000h	OFF	ON	OFF	ON	OFF	ON	OFF	ON

UB pcNIU ex 128K



This is the Ungermann-Bass pcNIU ex 128K Network Adapter card shown. Listed below are the possible Interrupt Request Line (IRQ), Base I/O Address, and Base Memory Address jumper/switch configurations:

Setup Choice for Windows NT 3.1

Interrupt Request Line (IRQ)

	J2	J3	J4	J5
IRQ2	ON	OFF	OFF	OFF
IRQ3	OFF	ON	OFF	OFF
IRQ4	OFF	OFF	ON	OFF
IRQ5	OFF	OFF	OFF	ON

Base I/O Address

	E1-E2	E2-E3
360h	OFF	ON
368h	ON	OFF

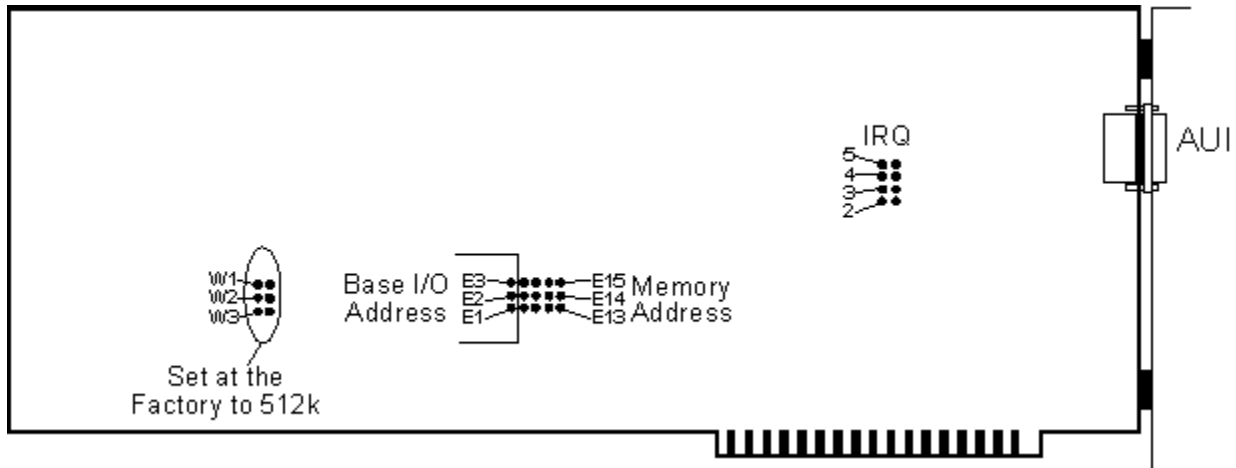
Base Memory Address (32K WINDOW)

	E4-E5	E5-E6	E7-E8	E8-E9	E10-E11	E11-E12	E13-E14	E14-E15
8000h	OFF	ON	OFF	ON	OFF	ON	OFF	ON
8800h	OFF	ON	OFF	ON	OFF	ON	ON	OFF
9000h	OFF	ON	OFF	ON	ON	OFF	OFF	ON
9800h	OFF	ON	OFF	ON	ON	OFF	ON	OFF
A000h	OFF	ON	ON	OFF	OFF	ON	OFF	ON
A800h	OFF	ON	ON	OFF	OFF	ON	ON	OFF
B000h	OFF	ON	ON	OFF	ON	OFF	OFF	ON
B800h	OFF	ON	ON	OFF	ON	OFF	ON	OFF
C000h	ON	OFF	OFF	ON	OFF	ON	OFF	ON
C800h	ON	OFF	OFF	ON	OFF	ON	ON	OFF
D000h	ON	OFF	OFF	ON	ON	OFF	OFF	ON
D800h	ON	OFF	OFF	ON	ON	OFF	ON	OFF
E000h	ON	OFF	ON	OFF	OFF	ON	OFF	ON
E800h	ON	OFF	ON	OFF	OFF	ON	ON	OFF
F000h	ON	OFF	ON	OFF	ON	OFF	OFF	ON
F800h	ON	OFF	ON	OFF	ON	OFF	ON	OFF

Base Memory Address (64K WINDOW)

	E4-E5	E5-E6	E7-E8	E8-E9	E10-E11	E11-E12	E13-E14	E14-E15
8000h	OFF	ON	OFF	ON	OFF	ON	OFF	OFF
9000h	OFF	ON	OFF	ON	ON	OFF	OFF	OFF
A000h	OFF	ON	ON	OFF	OFF	ON	OFF	OFF
B000h	OFF	ON	ON	OFF	ON	OFF	OFF	OFF
C000h	ON	OFF	OFF	ON	OFF	ON	OFF	OFF
D000h	ON	OFF	OFF	ON	ON	OFF	OFF	OFF
E000h	ON	OFF	ON	OFF	OFF	ON	OFF	OFF
F000h	ON	OFF	ON	OFF	ON	OFF	OFF	OFF

UB pcNIU ex 512K



This is the Ungermann-Bass pcNIU ex 512K Network Adapter card shown. Listed below are the possible Interrupt Request Line (IRQ), Base I/O Address, and Base Memory Address jumper/switch configurations:

Setup Choice for Windows NT 3.1

Interrupt Request Line (IRQ)

	J2	J3	J4	J5
IRQ2	ON	OFF	OFF	OFF
IRQ3	OFF	ON	OFF	OFF
IRQ4	OFF	OFF	ON	OFF
IRQ5	OFF	OFF	OFF	ON

Base I/O Address

	E1-E2	E2-E3
360h	OFF	ON
368h	ON	OFF

Base Memory Address (32K WINDOW)

	E4-E5	E5-E6	E7-E8	E8-E9	E10-E11	E11-E12	E13-E14	E14-E15
8000h	OFF	ON	OFF	ON	OFF	ON	OFF	ON
8800h	OFF	ON	OFF	ON	OFF	ON	ON	OFF
9000h	OFF	ON	OFF	ON	ON	OFF	OFF	ON
9800h	OFF	ON	OFF	ON	ON	OFF	ON	OFF
A000h	OFF	ON	ON	OFF	OFF	ON	OFF	ON
A800h	OFF	ON	ON	OFF	OFF	ON	ON	OFF
B000h	OFF	ON	ON	OFF	ON	OFF	OFF	ON
B800h	OFF	ON	ON	OFF	ON	OFF	ON	OFF
C000h	ON	OFF	OFF	ON	OFF	ON	OFF	ON
C800h	ON	OFF	OFF	ON	OFF	ON	ON	OFF
D000h	ON	OFF	OFF	ON	ON	OFF	OFF	ON
D800h	ON	OFF	OFF	ON	ON	OFF	ON	OFF
E000h	ON	OFF	ON	OFF	OFF	ON	OFF	ON
E800h	ON	OFF	ON	OFF	OFF	ON	ON	OFF
F000h	ON	OFF	ON	OFF	ON	OFF	OFF	ON
F800h	ON	OFF	ON	OFF	ON	OFF	ON	OFF

Base Memory Address (64K WINDOW)

	E4-E5	E5-E6	E7-E8	E8-E9	E10-E11	E11-E12	E13-E14	E14-E15
8000h	OFF	ON	OFF	ON	OFF	ON	OFF	OFF
9000h	OFF	ON	OFF	ON	ON	OFF	OFF	OFF
A000h	OFF	ON	ON	OFF	OFF	ON	OFF	OFF
B000h	OFF	ON	ON	OFF	ON	OFF	OFF	OFF
C000h	ON	OFF	OFF	ON	OFF	ON	OFF	OFF
D000h	ON	OFF	OFF	ON	ON	OFF	OFF	OFF
E000h	ON	OFF	ON	OFF	OFF	ON	OFF	OFF
F000h	ON	OFF	ON	OFF	ON	OFF	OFF	OFF

SMC (WD)

Windows NT Adapter help currently includes the following SMC (WD) network cards:

SMC (WD) EtherCard PLUS

SMC (WD) EtherCard PLUS 10T/A for MicroChannel

SMC (WD) EtherCard PLUS/A for MicroChannel

SMC (WD) EtherCard PLUS Elite 16 for MicroChannel

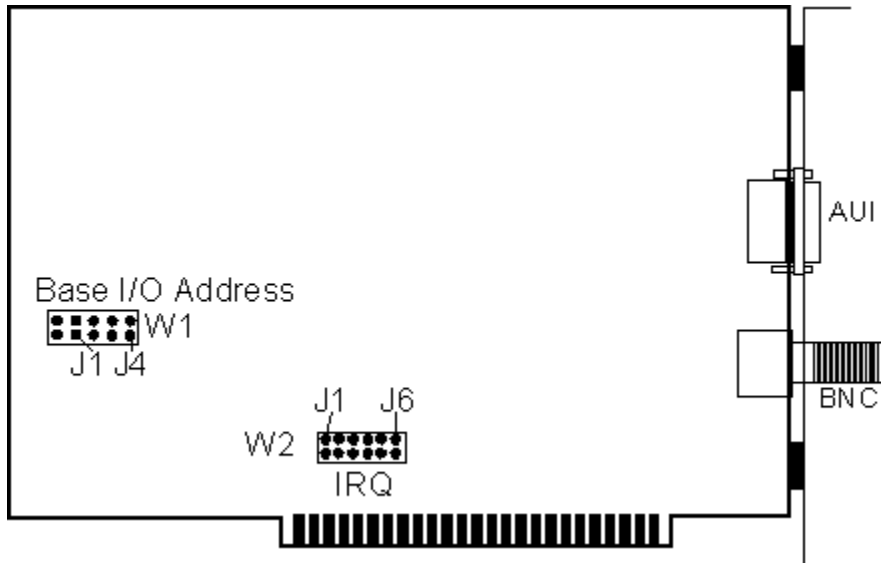
SMC (WD) EtherCard PLUS Elite

SMC (WD) EtherCard PLUS Elite 16

SMC (WD) EtherCard PLUS Elite 16T

SMC (WD) EtherCard PLUS Elite 16 Combo

SMC (WD) EtherCard PLUS



This is the SMC (WD) EtherCard PLUS Network Adapter card shown. Listed below are the possible Interrupt Request Line (IRQ), Base I/O Address, and Base Memory Address jumper/switch configurations:

Setup Choice for Windows NT 3.1

Interrupt Request Line (IRQ)

	W2					
	J1	J2	J3	J4	J5	J6
IRQ2	OFF	OFF	OFF	OFF	OFF	ON
IRQ3	OFF	OFF	OFF	OFF	ON	OFF
IRQ4	OFF	OFF	OFF	ON	OFF	OFF
IRQ5	OFF	OFF	ON	OFF	OFF	OFF
IRQ6	OFF	ON	OFF	OFF	OFF	OFF
IRQ7	ON	OFF	OFF	OFF	OFF	OFF

Base I/O Address

	W1			
	J1	J2	J3	J4
200h	ON	ON	ON	ON
220h	OFF	ON	ON	ON
240h	ON	OFF	ON	ON
260h	OFF	OFF	ON	ON
280h	ON	ON	OFF	ON
2A0h	OFF	ON	OFF	ON
2C0h	ON	OFF	OFF	ON
2E0h	OFF	OFF	OFF	ON
300h	ON	ON	ON	OFF
320h	OFF	ON	ON	OFF
340h	ON	OFF	ON	OFF
360h	OFF	OFF	ON	OFF
380h	ON	ON	OFF	OFF
3A0h	OFF	ON	OFF	OFF

3C0h	ON	OFF	OFF	OFF
3E0h	OFF	OFF	OFF	OFF

Base Memory Address

SOFTWARE CONFIGURABLE: Run the Softset utility that shipped with this adapter to configure Base Memory Address

Default - C400h

Cabling for this Adapter

- Thick Ethernet via AUI Connector
- Thin Ethernet via BNC Connector

SMC (WD) EtherCard PLUS 10T/A for MicroChannel

This Network Adapter card is configured using the 'Reference Disk' provided with your Micro-Channel System. For further information consult the documentation provided with the Network Adapter or contact your vendor.

Setup Choice for Windows NT 3.1

SMC (WD) 8003W /A

Cabling for this Adapter

Thick Ethernet via AUI Connector

Unshielded Twisted Pair via RJ-45 Connector

SMC (WD) EtherCard PLUS/A for MicroChannel

This Network Adapter card is configured using the 'Reference Disk' provided with your Micro-Channel System. For further information consult the documentation provided with the Network Adapter or contact your vendor.

Setup Choice for Windows NT 3.1

SMC (WD) 8003E /A

Cabling for this Adapter

Thick Ethernet via AUI Connector

Thin Ethernet via BNC Connector

SMC (WD) EtherCard PLUS Elite 16 for MicroChannel

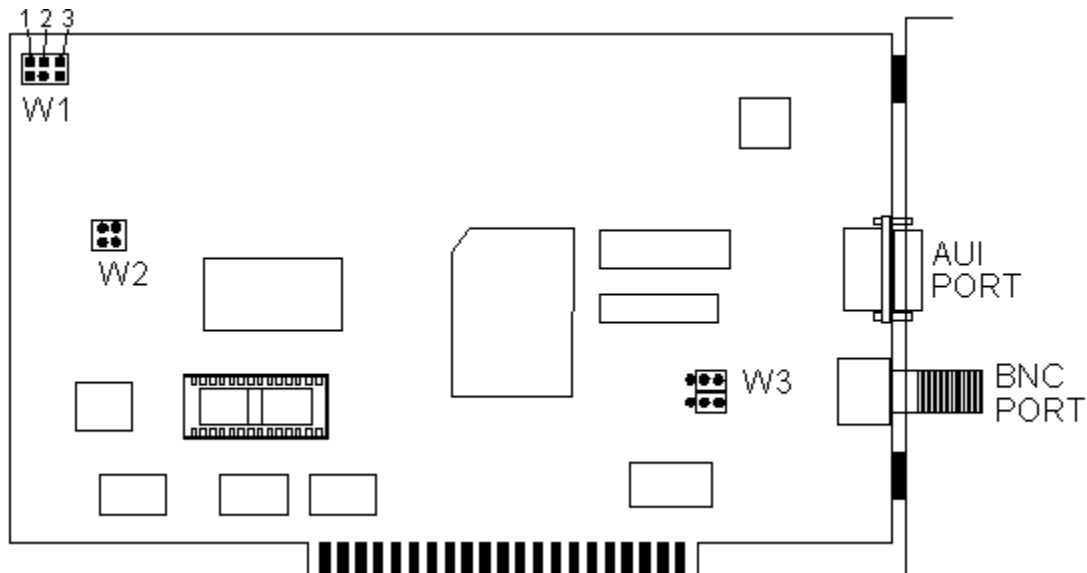
This Network Adapter card is configured using the 'Reference Disk' provided with your Micro-Channel System. For further information consult the documentation provided with the Network Adapter or contact your vendor.

Cabling for this Adapter

Thick Ethernet via AUI Connector

Thin Ethernet via BNC Connector

SMC (WD) EtherCard PLUS Elite



This is the SMC (WD) EtherCard PLUS Elite Network Adapter card shown. Listed below are the possible Interrupt Request Line (IRQ), Base I/O Address, and Base Memory Address jumper/switch configurations:

Note1: - If the SOFT setting is chosen by the Jumpers on the adapter, run the Softset utility that comes with this adapter to choose the desired settings.

Setup Choice for Windows NT 3.1

SMC (WD) 8003E /A

Interrupt Request Line (IRQ)

	W1		
	J1	J2	J3
SOFT	ON	OFF	OFF
IRQ3	OFF	ON	OFF
IRQ5	OFF	OFF	ON

Base I/O Address

	W1		
	J1	J2	J3
SOFT	ON	OFF	OFF
280h	OFF	ON	OFF
300h	OFF	OFF	ON

Base Memory Address

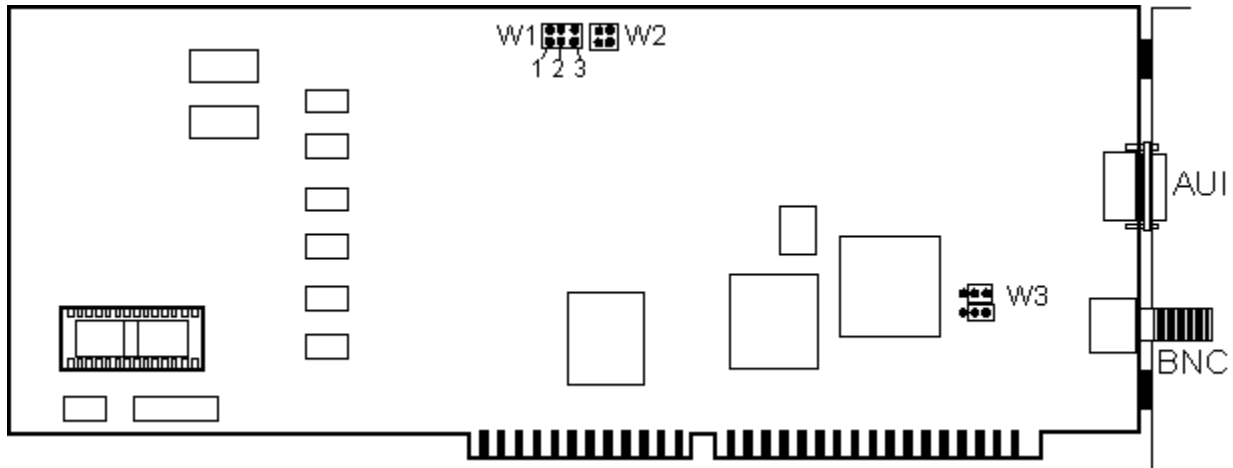
	W1			
	J1	J2	J3	
SOFT	ON	OFF	OFF	
D000h	OFF	ON	OFF	OFF
CA00h	OFF	OFF	ON	

Cabling for this Adapter

Thick Ethernet via AUI Connector

Thin Ethernet via BNC Connector

SMC (WD) EtherCard PLUS Elite 16



This is the SMC (WD) EtherCard PLUS Elite 16 Network Adapter card shown. Listed below are the possible Interrupt Request Line (IRQ), Base I/O Address, and Base Memory Address jumper/switch configurations:

Note1: - If the SOFT setting is chosen by the Jumpers on the adapter, run the Softset utility that comes with this adapter to choose the desired settings.

Setup Choice for Windows NT 3.1

SMC (WD) 8013EP /A

Interrupt Request Line (IRQ)

	W1		
	J1	J2	J3
SOFT	ON	OFF	OFF
IRQ3	OFF	ON	OFF
IRQ10	OFF	OFF	ON

Base I/O Address

	W1		
	J1	J2	J3
SOFT	ON	OFF	OFF
280h	OFF	ON	OFF
300h	OFF	OFF	ON

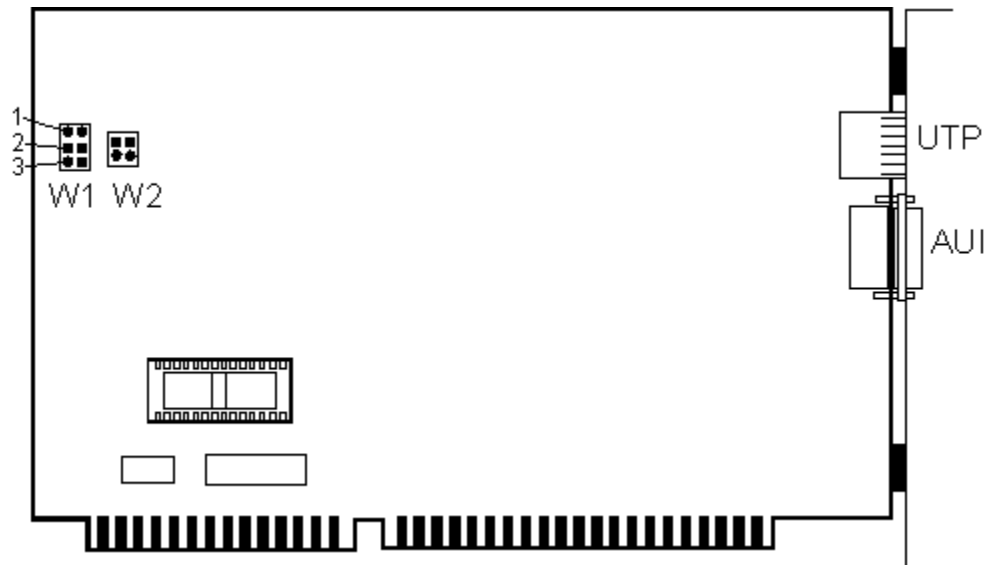
Base Memory Address

	W1		
	J1	J2	J3
SOFT	ON	OFF	OFF
D000h	OFF	ON	OFF
C000h	OFF	OFF	ON

Cabling for this Adapter

- Thick Ethernet via AUI Connector
- Thin Ethernet via BNC Connector

SMC (WD) EtherCard PLUS Elite 16T



This is the SMC (WD) EtherCard PLUS Elite 16T Network Adapter card shown. Listed below are the possible Interrupt Request Line (IRQ), Base I/O Address, and Base Memory Address jumper/switch configurations:

Note1: - If the SOFT setting is chosen by the Jumpers on the adapter, run the Softset utility that comes with this adapter to choose the desired settings.

Setup Choice for Windows NT 3.1

SMC (WD) 8013WP /A

Interrupt Request Line (IRQ)

	W1		
	J1	J2	J3
SOFT	ON	OFF	OFF
IRQ3	OFF	ON	OFF
IRQ10	OFF	OFF	ON

Base I/O Address

	W1		
	J1	J2	J3
SOFT	ON	OFF	OFF
280h	OFF	ON	OFF
300h	OFF	OFF	ON

Base Memory Address

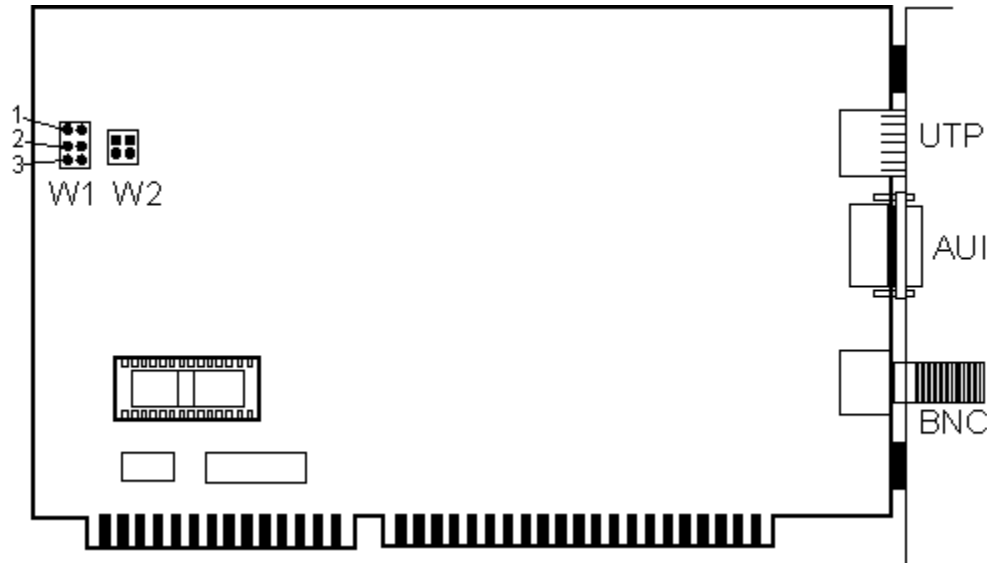
	W1		
	J1	J2	J3
SOFT	ON	OFF	OFF
D000h	OFF	ON	OFF
C000h	OFF	OFF	ON

Cabling for this Adapter

Thick Ethernet via AUI Connector

Unshielded Twisted Pair via RJ-45 Connector

SMC (WD) EtherCard PLUS Elite 16 Combo



This is the SMC (WD) EtherCard PLUS Elite 16 Combo Network Adapter card shown. Listed below are the possible Interrupt Request Line (IRQ), Base I/O Address, and Base Memory Address jumper/switch configurations:

Note1: - If the SOFT setting is chosen by the Jumpers on the adapter, run the Softset utility that comes with this adapter to choose the desired settings.

Setup Choice for Windows NT 3.1

SMC (WD) 8013EP /A

Interrupt Request Line (IRQ)

	W1		
	J1	J2	J3
SOFTWARE	ON	OFF	OFF
IRQ3	OFF	ON	OFF
IRQ10	OFF	OFF	ON

Base I/O Address

	W1		
	J1	J2	J3
SOFTWARE	ON	OFF	OFF
280h	OFF	ON	OFF
300h	OFF	OFF	ON

Base Memory Address

	W1			
	J1	J2	J3	
SOFTWARE	ON	OFF	OFF	
D000h		OFF	ON	OFF
C000h	OFF	OFF	ON	

Cabling for this Adapter

Thick Ethernet via AUI Connector

Thin Ethernet via BNC Connector
Unshielded Twisted Pair via RJ-45 Connector

About The Great Team That Wrote The NT Adapter Setup Helpfile

Ed Hubbard	Design, putting it all together
David Conner	All Artwork, Design, & Tireless error checking
Chris Cooke	Card Settings
Paul Long	Defaults, Design, & Backup

Original Team Members (from WFW):

Lance Craig	Original Network Card Settings
Ryan Battle	Original Defaults & Backup

Special Thanks to:

George Roussos	Beta Coordination
Terry Emmel	Testing
Pete Gray	Manual acquisition
Microsoft Press	Definitions and Connector Illustrations
Cliff Schommer	SCSI Type Table
Calvin Mackey	Help with the Word Macros

Direct Memory Access (DMA)

Memory access that does not involve the microprocessor, frequently employed for data transfer directly between memory and an "intelligent" peripheral device such as a disk drive.

General Information

The Following Network Adapters have been tested for use with both x86 and MIPS platforms

3Com 3C503 EtherLink II (Coax & TP)
3Com 3C503/16 EtherLink II/16 (Coax & TP)
3Com 3C507 EtherLink 16 (Coax & TP)
3Com 3C509 EtherLink III Parallel Tasking Adapter - ISA (Coax, TP and Combo)
3Com 3C579 EtherLink III Parallel Tasking Adapter - EISA (Coax & TP)
COMPAQ 32-Bit Dualspeed Token Ring Controller
DEC DE100 EtherWORKS LC
DEC DE101 EtherWORKS LC/TP
DEC DE200 EtherWORKS Turbo
DEC DE201 EtherWORKS Turbo/TP
DEC DE202 EtherWORKS Turbo TP/BNC
DEC DE422 EtherWORKS EISA TP/BNC
IBM Token Ring Adapter 16/4
Intel EtherExpress 16 PCLA8110
Intel EtherExpress 16C PCLA8100
Intel EtherExpress 16TP PCLA8120
Intel EtherExpress FlashC PCLA8105
Network Peripherals NP-EISA/S FDDI
Novell/Eagle Technology NE2000
Novell/Eagle Technology NE3200
Proteon ProNET-4/16 p1390 ISA Adapter
Standard Microsystems 8003EP EtherCard PLUS
Standard Microsystems 8013EBT EtherCard PLUS16
Standard Microsystems 8013EP EtherCard PLUS Elite16
Standard Microsystems 8013EPC EtherCard (R) PLUS Elite16
Standard Microsystems 8013EW EtherCard PLUS EliteCombo
Standard Microsystems 8013EWC EtherCard PLUS EliteCombo
Standard Microsystems 8013W EtherCard PLUS Elite16T
Standard Microsystems 8013WB EtherCard PLUS
Standard Microsystems 8013WC EtherCard PLUS Elite16T
Ungermann-Bass NIUpc/EOTP

Interrupt Request Line (IRQ)

Hardware lines over which devices such as input/output ports, the keyboard, and disk drives can send interrupts (requests for service) to the microprocessor. Interrupt request lines are assigned different levels of priority so that the microprocessor can determine the relative importance of incoming service requests.

Hardware Interrupt Chart

IRQ 80286 and Above

0	System Timer
1	Keyboard
2	Gateway from IRQ 8-15 (Tie to IRQ 9)
3	COM2:, COM4:
4	COM1:, COM3:
5	Open, (LPT2: on IBM PC/AT)
6	Floppy Disk Controller
7	LPT1:, LPT2:, LPT3:, (LPT1 on IBM PC/AT)
8	Real Time Clock
9	Test link to IRQ 2
10	Open
11	Open
12	PS/2 type mouse port
13	Math Co-Processor
14	Hard Disk Controller
15	Open

RAM Base Address

In relation to memory locations, the portion of a two-part address that remains constant and provides a reference point, or base, from which the location of a byte of data can be calculated. A base address is accompanied by an offset value that is added to the base to determine the exact location (the absolute address) of the information. The concept is similar to a street address system and to the Dewey decimal system. For example, 2010 Main Street consists of a base (the 2000 block of Main Street) plus an offset (10 from the beginning); the book number PB 587 in the Dewey decimal system consists of a base (the subject PB, which indicates the psychology section of a library) and an offset (the number 587, which is the location of the book in the section). Base addresses are known as segment addresses in IBM and compatible computers. Data in these computers is identified by its position as a relative offset from the start of the segment.

SCSI (Small Computer System Interface)

Pronounced 'scuzzy'; acronym for small computer system interface, a standard high-speed parallel interface defined by the X3T9.2 committee of the American National Standards Institute (ANSI). A SCSI Host Adapter is used for connecting microcomputers to peripheral devices, such as hard disks and printers, and other computers and local area networks. Up to seven devices, not including the computer, can be attached through a single SCSI connection (port) through sequential connections called a daisy chain. Each device has an address (priority number). Only one device at a time can transmit through the port; priority is given to the device with the highest address.

SCSI Tape Troubleshooting Tips

1. Check to make sure the drive is recognize on the SCSI Bus by checking the registry.
 - 1a. Under Hardware\devicemap\scsi\ is a list of the recognized devices.
 - 1b. Check to see if a driver claimed the device. A device number value will be present if it was
2. Check the termination on the SCSI Bus. There should be one terminator on each end of the bus.
3. Check the cable connections. Sometimes a loose cable is the cause of a problem.
4. Check to make sure the correct type of media is in the tape drive. An example of a mad match is a 2.0 Gig 1/4 inch tape in a 150 Meg tape drive.
5. Start with a new tape. Some drive will lock up if they have been used by a more featured drive.
6. Try the tape drive on its own controller. Sometimes problems are caused by conflicts between different devices on the same bus.
7. Try a different type of controller.

CD ROM Troubleshooting Tips

1) GENERAL

- Is the device plugged in and powered on?
- Are the CD-ROM and the Adapter on the HCL.
- Is it a SCSI CD-ROM or do you have a Windows NT driver for your non-SCSI CD-ROM?
- Is the Media clean and not scratched?
- Check cables.
- Double-check for conflicting scsi id's

2) If setup can not see the CD.

- Is the adapter found during the device scan? (If not check for I/O port, SCSI ID, IRQ, memory -If you have multiple CD's on the system make sure that the media is in the lowest device number,
- Is the media inserted correctly (ie. not upside down)
- Is the cabling correct?

3) Setup can not copy files.

- Check for loose cables.
- Is the destination device full?
- Is there already a file by the same name that may be READ/ONLY?
- Run CHKDSK /F on the destination device.
- If on a SCSI BUS, Check Termination, termination power, and device ID's.

4) If you all of a sudden see 6 extra drives in the Windows NT file manager (that you really don't have)

- Double check the SCSI id's. You likely have two devices using the same id.

SCSI Termination Defined

Terminators are a set of resistors placed at each end of a transmission line, such as a SCSI bus. Terminators help prevent reflections at the ends of a transmission line and ensure the signal on the line quickly reaches its desired state. A correctly terminated SCSI bus allows for faster and more reliable operation. There should be one SCSI terminator at each physical end of the SCSI bus.

Physically, there are two types of terminators: internal and external. There is no electrical difference between these two types of terminators. External terminators look like a SCSI bus connector with no cable attached. Internal terminators are normally 2 or 3 resistor SIPs (Single In-line Package). On some of the newer SCSI devices, the internal terminator is controlled by a switch or jumper on the device. The documentation for the device should be consulted for information about internal termination. **Beware:** some external devices, such as disks, come with internal terminators installed. The only way to detect these is to open the cabinet and inspect the device for internal terminators. Internal terminators should be removed from external devices.

Electrically, there are two types of terminators: passive and active. Passive terminators were defined in SCSI-I and are in wide use today. A passive terminator is just a set of resistors. If you don't know what type terminator you have and it is not marked, it is most likely passive. Active terminators contain active components, i.e. transistors, as well as resistors. Active terminators were added in the SCSI-II standard and are fairly new. They were defined to provide better termination response so that the SCSI bus could be made faster and more reliable. Some of the newer and faster controllers should have active terminators. The Adaptec aha154xC requires active terminators. Active terminators are a simple hardware change that solves many SCSI bus problems.

Terminators require power from the SCSI bus to work correctly. This power is referred to as Term Power. This is typically supplied by the host adapter and the other devices on the SCSI bus. Ideally term power should be supplied by the last device on each end of the SCSI bus. In any case at least one device on the bus must supply term power. In most configurations term power is not a problem. However, some of the older FD8xx adapters did not supply term power; however these adapter were shipped with SCSI devices that did supply term power. Term power is normally controlled by a jumper or switch on the SCSI device. Consult your hardware documentation for information on how enable term power. Term power is one reason that all devices hooked to the SCSI bus should be powered on.

The quality of the SCSI cables also affects the reliability and usability of the SCSI system. The SCSI-II specification defined the characteristics for good cable. These are 100% shielded round cable with 25 twisted pairs. Each pair should have a characteristic impedance between 90 and 110 ohms. The wire gauge should be 26 or 28. Most SCSI cables do not meet these requirements. Adaptec recommends always using these cables with the aha154xC. If more than three devices are connected to a SCSI bus, it is good idea to use high quality SCSI cables.

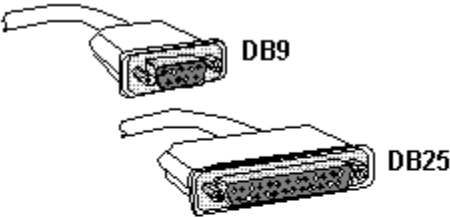
The reason that some configurations work using DOS but not using Windows NT is that Windows NT uses SCSI more aggressively. Windows NT typically transfers large data blocks and uses faster data transfer modes than DOS. Also since Windows NT supports more devices on a SCSI bus issues like termination become more important.

COAX Cable

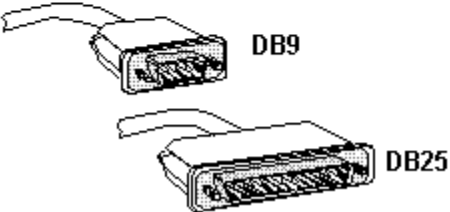


Serial Connectors

Female



Male



SCSI Types

Standard	Byte Width	Bit Width	Cable Name	Pin Count	Max Transfer MByte/sec	Max SCSI Devices	Description
SCSI - 1	1	8	A	50	5	8	Synchronous
SCSI - 2	1	8	A	50	10	8	Fast
SCSI - 2	2	16	A + B	50 + 68	20	8	Fast & Wide (Two cables)
SCSI - 2	4	32	A + B	50 + 68	40	8	Fast & Wide (Two cables)
SCSI - 3	1	8	A	50	10	8	Fast
SCSI - 3	2	16	P	68	20	16	Fast & Wide
SCSI - 3	4	32	P + Q	68 + 68	40	32	Fast & Wide (Two cables)

Single-Ended and Differential

There are two different ways a SCSI bus can be terminated. The most common way is by implementing the Single-Ended method. Single-Ended termination is putting terminators on both ends of the SCSI bus. Most controller boards on the market today use this method. The other method is Differential termination. With Differential termination the device itself is terminated and the SCSI bus isn't terminated.

SCSI - 1

Supports General, Direct Access, Sequential Access, Printer, Write Once, and Processor devices.

SCSI - 2

Supports all of SCSI - 1 devices and the following: CD-ROM, Scanner, Optical Memory, Medium Changer, and Communications.

SCSI - 3

Supports all of the SCSI - 1 and SCSI - 2, with the addition of being modular. Any new technology will be able to make use of this interface.

SCSI Connectors

Low Density Shielded SCSI Connector

Low Density Unshielded SCSI Connector

High Density Shielded SCSI Connector

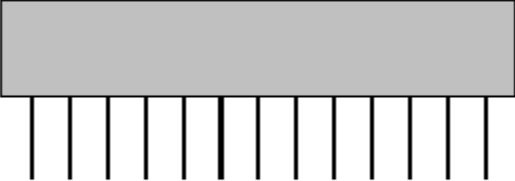
High Density Unshielded SCSI Connector

SCSI Terminators

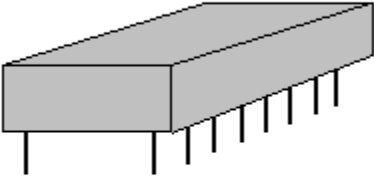
Single Inline Package (SIP)

Dual Inline Package (DIP)

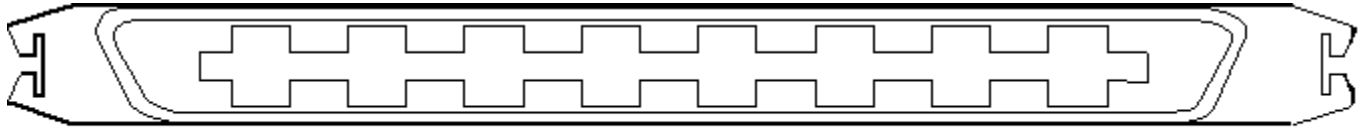
Single Inline Package (SIP)



Dual Inline Package (DIP)

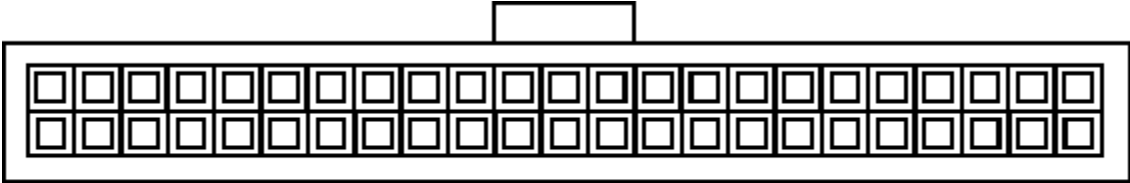


Low Density Shielded SCSI Connector



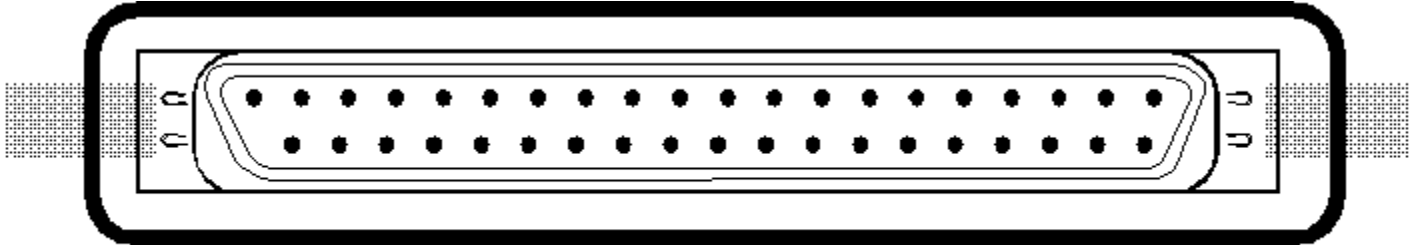
Low-Density Shielded

Low Density Unshielded SCSI Connector



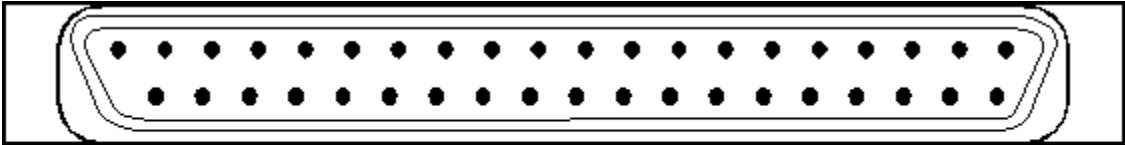
Low-Density Unshielded

High Density Shielded SCSI Connector



High-Density Shielded

High Density Unshielded SCSI Connector



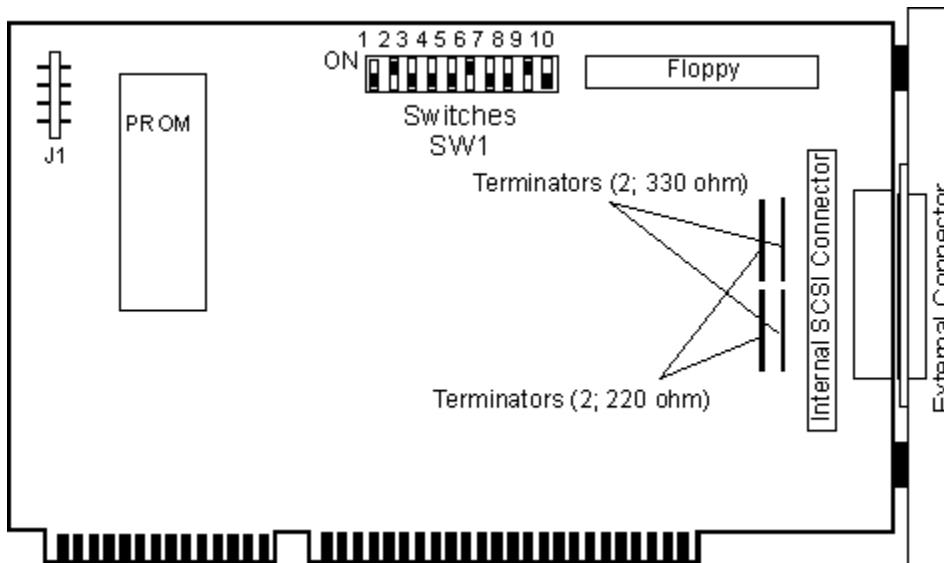
High-Density Unshielded

Always

Windows NT Adapter help currently includes the following Always SCSI interface cards:

Always IN-2000

Always IN-2000



This is the Always IN-2000 SCSI adapter shown. Listed below are the possible Interrupt Request Line (IRQ), Base I/O Address, Base Memory Address, and other jumper/switch configurations:

Setup Choice for Windows NT 3.1

Always IN-2000

Type of External SCSI Connector

25-Pin "Normal"

SW1

Segment

Address	S1	S2	
C800h-CBFFh	OFF	OFF	OFF
D800h-DBFFh	ON	OFF	
D000h-D3FFh	OFF	ON	
Bios Enabled	ON	ON	

I/O Port

Address	S3	S4
220h-22Fh	OFF	OFF
200h-20Fh	ON	OFF
110h-11Fh	OFF	ON
100h-10Fh	ON	ON

Interrupt

	S5	S6	S7
15	OFF	OFF	OFF
14	OFF	ON	OFF
11	OFF	OFF	ON
10	OFF	ON	ON
Disabled	ON	-	-
Dos 5.0			

Support ON ON ON

**Synch/Asynch
Operations S8**
Asynchronous OFF
Synchronous ON

**Floppy
Controller S9**
Disable OFF
Enable ON

Adaptec

Windows NT Adapter help currently includes the following Adaptec SCSI interface cards:

[Adaptec 1510](#)

[Adaptec 1520/1522](#)

[Adaptec 1540B/1542B](#)

[Adaptec 1540C/1542C](#)

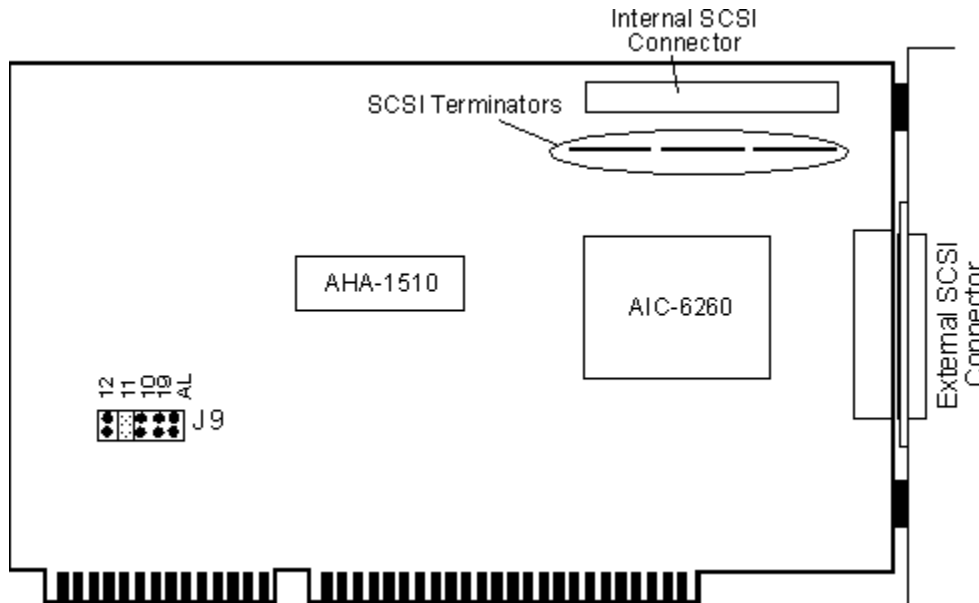
[Adaptec 1640](#)

[Adaptec 1740/1744](#)

[Adaptec 1740\(A\)/1742\(A\)](#)

[Adaptec Notes](#)

Adaptec 1510



This is the Adaptec 1510 SCSI adapter shown. Listed below are the possible Interrupt Request Line (IRQ), Base I/O Address, Base Memory Address, and other jumper/switch configurations:

Setup Choice for Windows NT 3.1

Adaptec 151x/152x / AIC 6260/6360

Type of External SCSI Connector

Low Density Shielded

J9

IRQ	J10	J11	J12	J19
10	ON	OFF	OFF	OFF
11	OFF	ON	OFF	OFF
12	OFF	OFF	ON	OFF
9	OFF	OFF	OFF	ON

PORT ADDRESS

340H

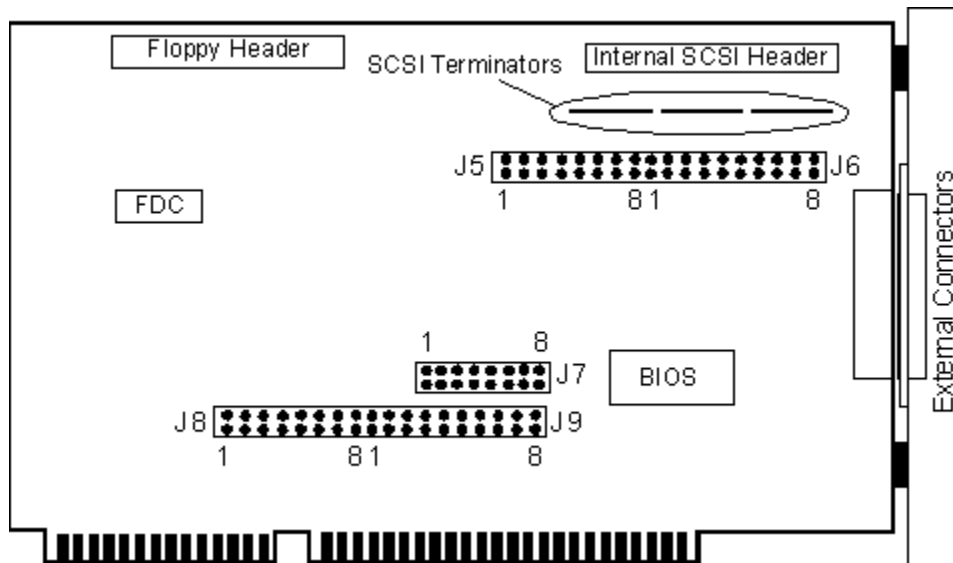
140H

"SWITCH "AL"

OFF

ON

Adaptec 1520/1522



This is the Adaptec 1520 SCSI adapter shown. Listed below are the possible Interrupt Request Line (IRQ), Base I/O Address, Base Memory Address, and other jumper/switch configurations:

Setup Choice for Windows NT 3.1

Adaptec 151x/152x / AIC 6260/6360

Type of External SCSI Connector

Low Density Shielded

JUMPER BLOCK J5

DATA TRANSFER MODE	J1
PIO	OFF
2nd Parity DMA	ON

BOOT PREFERENCE	J2
Don't boot from SCSI Drive	OFF
Boot From SCSI Drive	ON

BOOT UP MESSAGES	J3	J4
Display Adaptec header and error messages	OFF	OFF
"Display Adaptec header, boot progress and error messages"	OFF	ON
"Display SCSI information, jumper configuration, boot progress, and error messages"	ON	OFF
Display error messages	ON	ON

J5	Synchronous Negotiation Enable/Disable
J6	Disconnection by Target SCSI Device Enable/Disable
J7	Not Used
J8	Not Used

JUMPER BLOCK J6

SCSI

ID	J1	J2	J3
0	OFF	OFF	OFF
1	ON	OFF	OFF
2	OFF	ON	OFF
3	ON	ON	OFF
4	OFF	OFF	ON
5	ON	OFF	ON
6	OFF	ON	ON
7	ON	ON	ON

IRQ	J4	J5
9	OFF	OFF
10	ON	OFF
11	OFF	ON
12	ON	ON

J6/J7 Both are left off to place card at DMA Channel 0 (The only channel supported by Adaptec)

J8 Parity Checking **Enable**/Disable

JUMPER BLOCK J7 (Adaptec 1522 Only)

J1 Floppy Controller on Host Adapter **Enable**/Disable

FLOPPY

IRQ CHANNEL	J6	J7
6	ON	OFF
10	OFF	ON

J8 Support for Floppy Drives with Dual Speed Spindle Enable/Disable

JUMPER BLOCK J8

Jumpers 4 & 8 should be on. This selects DMA Channel 0. All Other Jumpers are Reserved

JUMPER BLOCK J9

IRQ

(Must match settings on Jumper Block J6)

	J1	J2	J3	J4
12	ON	OFF	OFF	OFF
11	OFF	ON	OFF	OFF
10	OFF	OFF	ON	OFF
9	OFF	OFF	OFF	ON

PORT

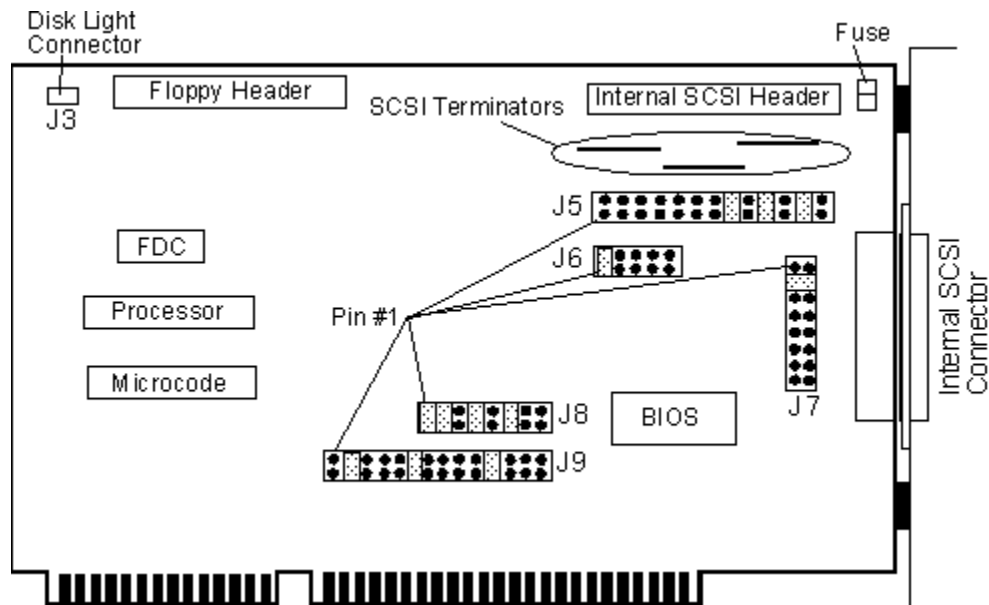
ADDRESS RANGE	J5
340-35E	OFF
140-15E	ON

BIOS

ADDRESS LOCATION	J6	J7
C8000	OFF	OFF
CC000	OFF	ON
D8000	ON	OFF
C0000	ON	ON

J8 Host Adapter Bios Enable/Disable

Adaptec 1540B/1542B



This is the Adaptec 1540B/1542B SCSI adapter shown. Listed below are the possible Interrupt Request Line (IRQ), Base I/O Address, Base Memory Address, and other jumper/switch configurations:

Setup Choice for Windows NT 3.1

Adaptec 154x

Type of External SCSI Connector

Low Density Shielded

Note: The 1540B and the 1542B were tested with firmware revisions 3.10 and 3.20.

J5 - GENERAL CONTROLS

PIN 1 SYNCHRONOUS TRANSFER NEGOTIATION ENABLE/DISABLE

PIN 2 DIAGNOSTICS (USED ONLY AT ADAPTEC)

PIN 3 SCSI PARITY **ENABLE**/DISABLE

SCSI

I.D.	PIN 4	PIN 5	PIN 6
0	ON	ON	ON
1	OFF	ON	ON
2	ON	OFF	ON
3	OFF	OFF	ON
4	ON	ON	OFF
5	OFF	ON	OFF
6	ON	OFF	OFF
7	OFF	OFF	OFF

DMA

CHANNEL	PIN 7	PIN 8
0	ON	ON

5	OFF	ON
6	ON	OFF
7	OFF	OFF

IRQ	PIN 9	PIN 10	PIN 11
9	OFF	OFF	OFF
10	ON	OFF	OFF
11	OFF	ON	OFF
12	ON	ON	OFF
14	OFF	OFF	ON
15	ON	OFF	ON

DMA	PIN 12	PIN 13
SPEED		
5	OFF	OFF
5.7	ON	OFF
6.7	OFF	ON
8	ON	ON

J6 - BIOS/AUTO SENSE CONTROL

PIN 1 BIOS ENABLE
PIN 2 NOT USED
PIN 3 NOT USED
PIN 4 NOT USED
PIN 5 AUTO SENSE DISABLE

J7 - ADDRESS SELECTION

PIN 1 FLOPPY SECONDARY ADDRESS SELECT (1542B ONLY)

I/O	PIN 2	PIN 3	PIN 4
ADDRESS			
130h	ON	OFF	ON
134h	OFF	OFF	ON
230h	ON	ON	OFF
234h	OFF	ON	OFF
330h	ON	OFF	OFF
334h	OFF	OFF	OFF

BIOS WAIT	PIN 5	PIN 6
STATE SELECT		
0	OFF	OFF
100	ON	OFF
200	OFF	ON
300	ON	ON

BIOS	PIN 7	PIN 8
BASE ADDRESS		
DC000		OFF OFF
CC000	ON	OFF
D8000	OFF	ON
C8000	ON	ON

J8 - FLOPPY DISK SELECTION (AHA-1542B ONLY)

Note - On 1542BS100 series, if the floppy enable is removed, remove all jumpers from J8.

PIN 1 FLOPPY ENABLE

PIN 2 DMA REQUEST 2

PIN 3 DMA REQUEST 3

PIN 4 DMA ACK 2

PIN 5 DMA ACK 3

PIN 6 INT REQUEST 6

PIN 7 INT REQUEST 10

PIN 8 DUAL SPEED ENABLE

J9 - DMA/INTERRUPT SELECTION

PIN 1 DMA REQUEST 0

PIN 2 DMA REQUEST 5

PIN 3 DMA REQUEST 6

PIN 4 DMA REQUEST 7

PIN 5 DMA ACK 0

PIN 6 DMA ACK 5

PIN 7 DMA ACK 6

PIN 8 DMA ACK 7

PIN 9 INT REQUEST 9

PIN 10 INT REQUEST 10

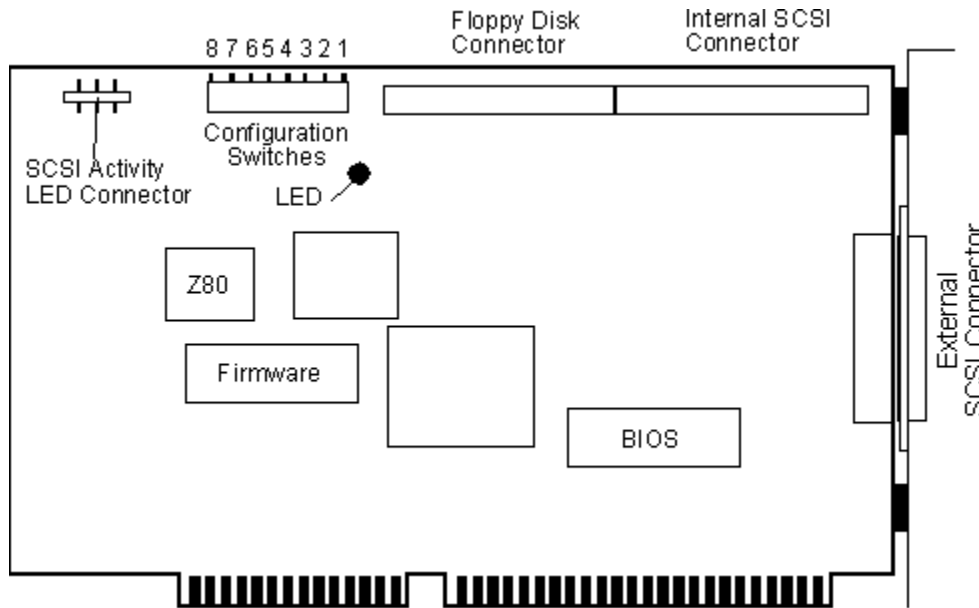
PIN 11 **INT REQUEST 11**

PIN 12 INT REQUEST 12

PIN 13 INT REQUEST 14

PIN 14 INT REQUEST 15

Adaptec 1540C/1542C



This is the Adaptec 1540C/1542C SCSI adapter shown. Listed below are the possible Interrupt Request Line (IRQ), Base I/O Address, Base Memory Address, and other jumper/switch configurations:

Setup Choice for Windows NT 3.1

Adaptec 154x

Type of External SCSI Connector

Low Density Shielded

Note1: - The 1542C requires an active terminator for proper performance

Note2: - The Denon DRD-253 is not supported for use with the Adaptec AHA-1542c.

TERMINATION SW1

Termination Installed ON

Software Controlled OFF

IO PORT	SW2	SW3	SW4
330-333H	OFF	OFF	OFF
334-337H	ON	OFF	OFF
230-233H	OFF	ON	OFF
234-237H	ON	ON	OFF
130-133H	OFF	OFF	ON
134-137H	ON	OFF	ON
Reserved	OFF	ON	ON
Reserved	ON	ON	ON

FLOPPY SUPPORT SW5

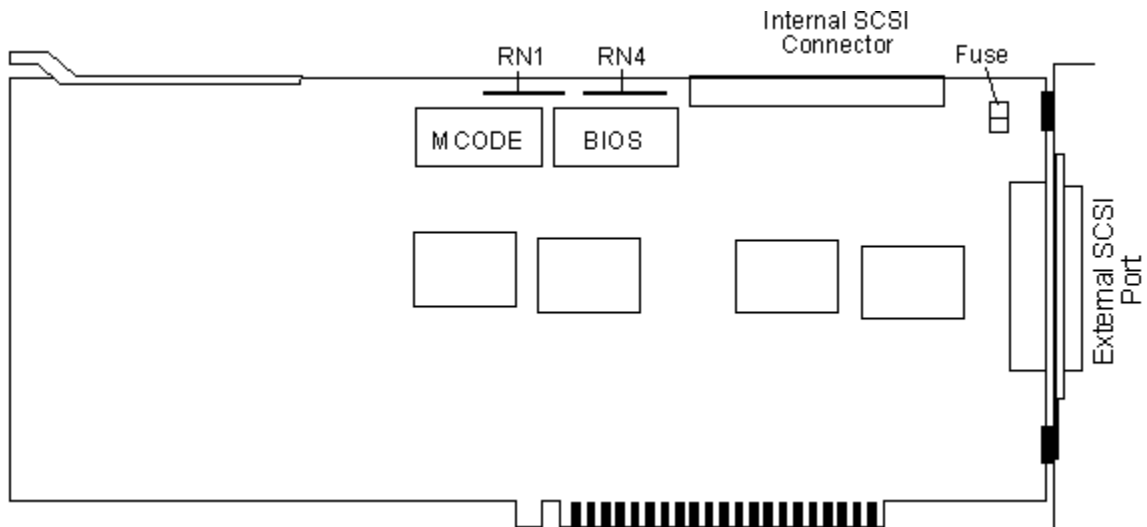
Disable Floppy ON

Enable Floppy OFF

BIOS ADDRESS	SW6	SW7	SW8
<i>DC000H</i>	<i>OFF</i>	<i>OFF</i>	<i>OFF</i>
D8000H	ON	OFF	OFF
D4000H	OFF	ON	OFF
D0000H	ON	ON	OFF
CC000H	OFF	OFF	ON
C8000H	ON	OFF	ON
Reserved	OFF	ON	ON
Bios Disable	ON	ON	ON

The remaining settings for this SCSI interface card can be configured using the software supplied by the manufacturer. Please consult the documentation that came with your SCSI interface card or contact the manufacturer of the SCSI interface card for further information.

Adaptec 1640



This SCSI interface card can be configured using the software supplied by the manufacturer. Please consult the documentation that came with your SCSI interface card or contact the manufacturer of the SCSI interface card for further information.

Setup Choice for Windows NT 3.1

Adaptec 164x

Type of External SCSI Connector

High Density Shielded

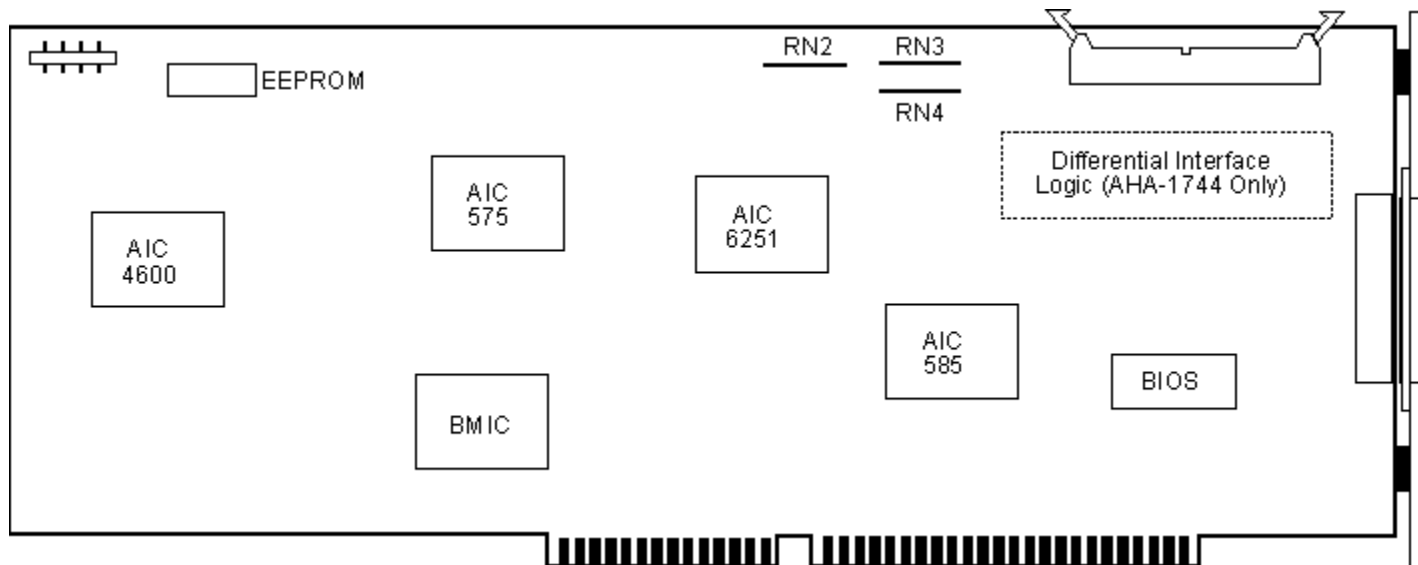
Note1: - These (TAPE) drive(s) are not supported with the Adaptec AHA-1640 adapter.

ArchiveST 2000DAT (4520NP, EAX4350)

Hewlett-Packard C2224c, 35470a, C1503a, and C1503a

Note2: - The Adaptec AHA-1640 and Ultrastor 24f support only a single disk when used with the Pioneer DRM-600 CD-ROM drive.

Adaptec 1740/1744



This SCSI interface card can be configured using the software supplied by the manufacturer. Please consult the documentation that came with your SCSI interface card or contact the manufacturer of the SCSI interface card for further information.

Setup Choice for Windows NT 3.1

Adaptec 174x

Type of External SCSI Connector

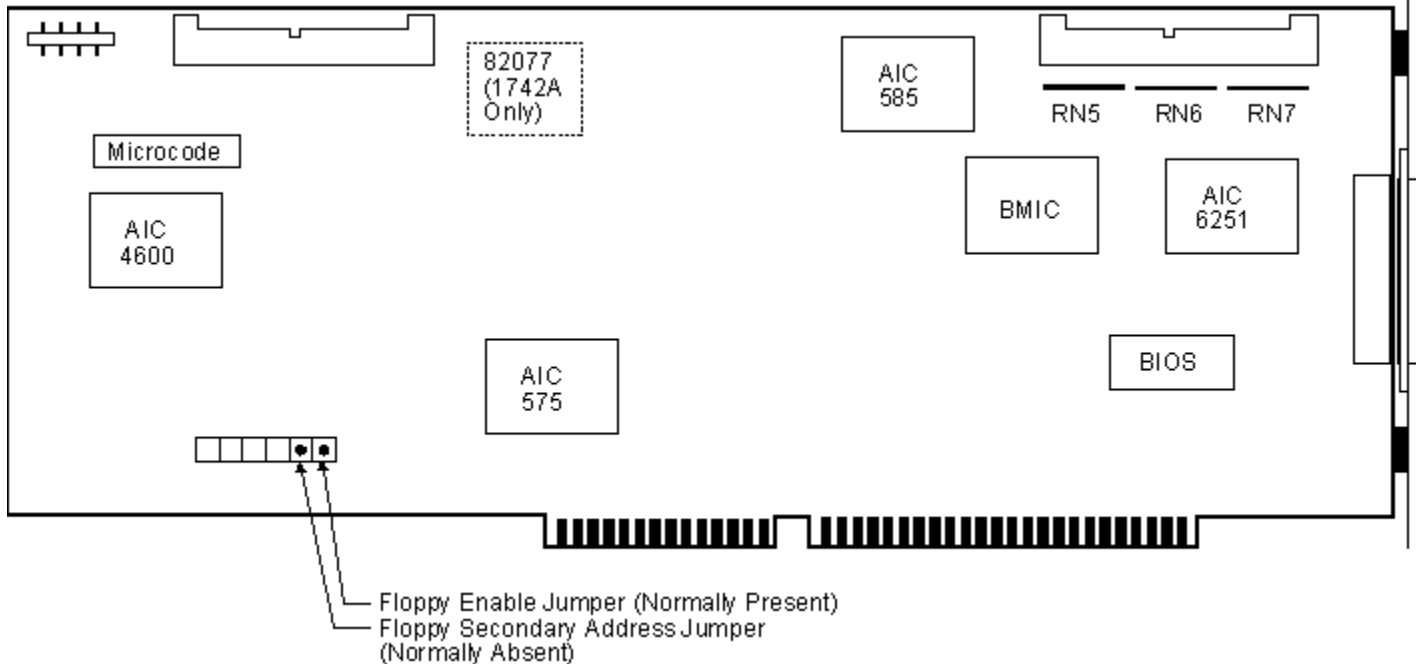
High Density Shielded

Note1: - Terminators are RN2, RN3, and RN4. Remove if the adapter is not the first or last device on the SCSI bus.

Note2: - The 1744 is a differential controller. While the firmware & BIOS are the same as that of the 1740/1742, the electrical interface is different. It should NEVER be connected to any single ended SCSI devices as you may damage either the host adapter or your SCSI devices.

Note3: - The 1740 must be configured for 5 MB/second asynchronous I/O to work with listed CD-ROM drives from NEC.

Adaptec 1740A/1742A



This SCSI interface card can be configured using the software supplied by the manufacturer. Please consult the documentation that came with your SCSI interface card or contact the manufacturer of the SCSI interface card for further information.

Setup Choice for Windows NT 3.1

Adaptec 174x

Type of External SCSI Connector

High Density Shielded

Note1: The only manually configurable jumpers are documented on the illustration above. Terminators are RN5, RN6, and RN7. Remove if the adapter is not the first or last device on the SCSI bus.

Note2: - The 1744 is a differential controller. While the firmware & BIOS are the same as that of the 1740/1742, the electrical interface is different. It should NEVER be connected to any single ended SCSI devices as you may damage either the host adapter or your SCSI devices.

Note3: - The 1740A must be configured for 5 MB/second asynchronous I/O to work with listed CD-ROM drives from Chinon, Hitachi and NEC.

Adaptec Notes

An Adaptec adapter might use conflicting memory addresses with other cards such as network adapters. This requires re-configuring the hardware by changing jumpers.

DMA speed cannot be set on an Adaptec 154x SCSI controller. Currently the AHA154X.SYS driver supports a DMA transfer rate of 5.0 MB.

The Adaptec AHA154xC card is extremely sensitive to termination and cabling. Systems with this card should use SCSI-II cables and/or SCSI-II active terminators. SCSI-II cables are available from Amphenol Quintec and Icontec. If these recommendations are not followed, unreliable operation, including data corruption, is possible.

The Adaptec AHA-1542C and Denon DRD-253 are incompatible under Windows NT. The AHA-1542C requires active termination and the Denon DRD-253 CD-ROM has built in passive termination.

The Adaptec 1640 Micro Channel adapter does not support the Maynard 2000 or 1300 DAT drives in this release. The 1640 adapter is not supported on IBM PS/2 Model 70 computers.

The 1988 version 3.08 Adaptec 154x BIOS has a problem with the Scatter/Gather feature. This problem is detected by the Adaptec driver and the feature is disabled. If you have this BIOS version a message is displayed informing you that the Scatter/Gather feature has been disabled. If you get this message, you can contact the Adaptec Technical Support at (408) 945- 2550 for information on the most recent version, 3.20, of the BIOS. BIOS versions after 3.08 do not have this problem. The latest 154x BIOS also supports drives that are larger than 1 GB under both BIOS/MS-DOS and Windows NT. Windows NT will be able to access drives larger than 1 GB even without this upgrade provided and extended partition is used.

The Adaptec 1640 adapter/driver combination will log an extraneous error condition when NTBACKUP is in use on an attached Tape device. The error log entries look like :

```
7/10/93 2:41:40 AM      XXXXXX Error   None    11     N/A
[MachineName] The driver detected a controller error on \Device\ScsiPort1.
```

This error log entry may be safely ignored.

BusLogic

Windows NT Adapter help currently includes the following BusLogic SCSI interface cards:

BT-445S

BT-542B

BT-542D

BT-542S

BT-545S

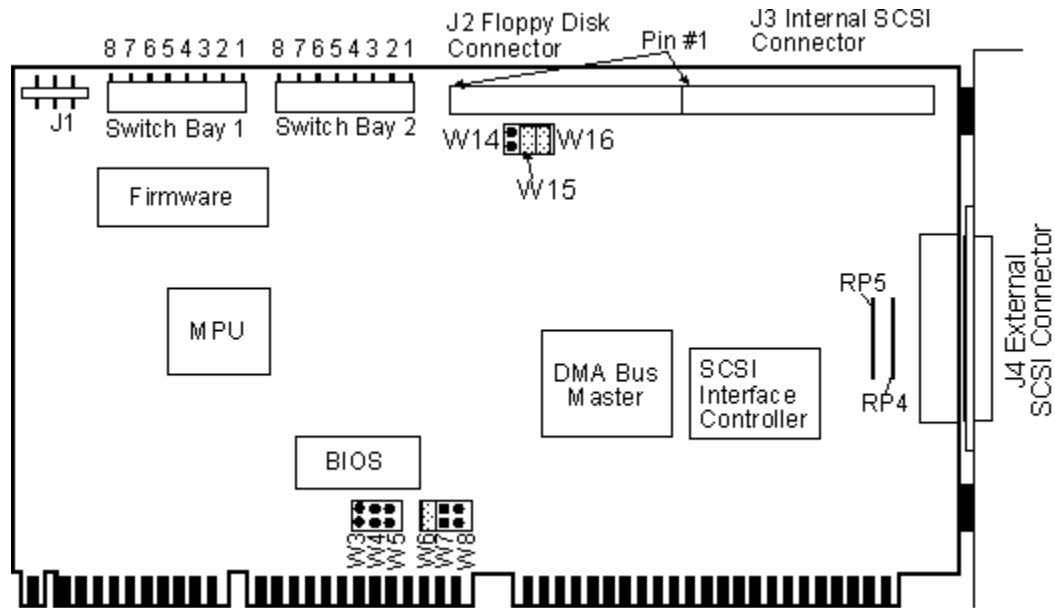
BT-640A

BT-646S/646D

BT-742A

BT-747S/747D

BusLogic BT-445S



This is the BusLogic 445S SCSI adapter shown. Listed below are the possible Interrupt Request Line (IRQ), Base I/O Address, Base Memory Address, and other jumper/switch configurations:

Setup Choice for Windows NT 3.1

BusLogic Family

Type of External SCSI Connector

High Density Shielded

Switch Bay 1

SCSI

ID	S1	S2	S3
0	OFF	OFF	OFF
1	ON	OFF	OFF
2	OFF	ON	OFF
3	ON	ON	OFF
4	OFF	OFF	ON
5	ON	OFF	ON
6	OFF	ON	ON
7	ON	ON	ON

SCSI Parity	S4
Disable	OFF
Enable	ON

More than 1Gb Support	S5
Disable	OFF
Enable	ON

**Synchronous
Negotiation S6**
 Disable OFF
Enable ON

**SCSI
Transfer Speed S7**
 10 Mb/Sec OFF
5 MB/Sec ON

**VL-Bus
Clock Speed S8 S9 S10**
 20 MHZ ON ON OFF
 25 MHZ OFF ON OFF
33, 40 MHZ ON ON ON
 50 MHZ ON OFF ON
 DX2/50 MHZ OFF ON OFF
 DX2/66 MHZ ON ON ON

Switch Bay 2

I/O Address S1 S2 S3
 Reserved OFF OFF OFF
 134h-137h ON OFF OFF
 234h-237h OFF ON OFF
 334h-337h ON ON OFF
 Reserved OFF OFF ON
 130h-133h ON OFF ON
 230h-233h OFF ON ON
330h-333h ON ON ON

**Bios
Address S4 S5**
 0C8000h OFF OFF
 Disable ON OFF
 0D8000h OFF ON
0DC000h ON ON

**Host Interrupt
Channel S6 S7 S8**
 Reserved OFF OFF OFF
 Reserved ON OFF OFF
 15 OFF ON OFF
 14 ON ON OFF
 12 OFF OFF ON
 9 ON OFF ON
 10 OFF ON ON
11 ON ON ON

S9 Reserved
S10 Reserved

JUMPERS

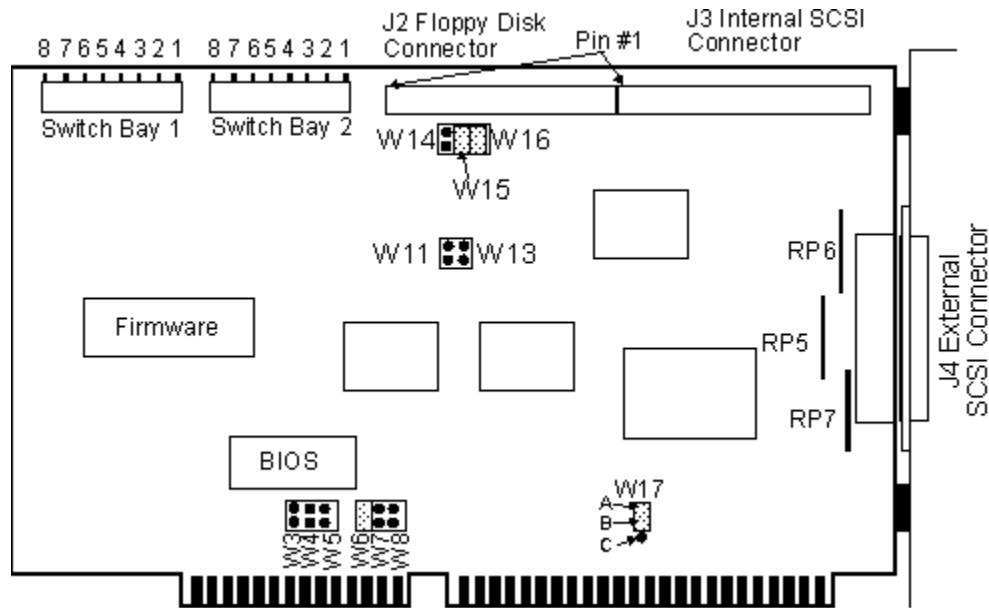
Host Interrupt

Channel	W3	W4	W5	W6	W7	W8
15	ON	OFF	OFF	OFF	OFF	OFF
14	OFF	ON	OFF	OFF	OFF	OFF
12	OFF	OFF	ON	OFF	OFF	OFF
11	OFF	OFF	OFF	ON	OFF	OFF
10	OFF	OFF	OFF	OFF	ON	OFF
9	OFF	OFF	OFF	OFF	OFF	ON

Floppy Controller	W15	W16
Enable	ON	ON
Disable	OFF	OFF

Floppy Address	W14
3FX	OFF
37X	ON

BusLogic BT-542B



This is the BusLogic 542B SCSI adapter shown. Listed below are the possible Interrupt Request Line (IRQ), Base I/O Address, Base Memory Address, and other jumper/switch configurations:

Setup Choice for Windows NT 3.1 BusLogic Family

Type of External SCSI Connector Low Density Shielded

SWITCH BAY 1

SCSI ID	SW1	SW2	SW3
0	OFF	OFF	OFF
1	ON	OFF	OFF
2	OFF	ON	OFF
3	ON	ON	OFF
4	OFF	OFF	ON
5	ON	OFF	ON
6	OFF	ON	ON
7	ON	ON	ON

SW4
SCSI PARITY **ENABLE/DISABLE**

SW5
DISK > 1GB and not SCO UNIX ENABLE/**DISABLE**

SW6
SCSI SYNCHRONIZATION NEGOTIATION ENABLE/**DISABLE**

DMA		
CHANNEL	SW7	SW8
DISABLE	OFF	OFF
5	ON	ON
6	OFF	ON
7	ON	OFF

SWITCH BAY 2

I/O ADDRESS	SW1	SW2	SW3
Reserved	OFF	OFF	OFF
134H-137H	ON	OFF	OFF
234H-237H	OFF	ON	OFF
334H-337H	ON	ON	OFF
Reserved	OFF	OFF	ON
130H-133H	ON	OFF	ON
230H-233H	OFF	ON	ON
330H-333H	ON	ON	ON

BIOS BASE			
ADDRESS	SW4	SW5	
0C8000H	OFF	OFF	
Disable		ON	OFF
0D8000H	OFF	ON	
0DC000H	ON	ON	

AT IRQ	SW6	SW7	SW8
Reserved	OFF	OFF	OFF
Reserved	ON	OFF	OFF
15	OFF	ON	OFF
14	ON	ON	OFF
12	OFF	OFF	ON
9	ON	OFF	ON
10	OFF	ON	ON
11	ON	ON	ON

JUMPER SETTINGS

HOST IRQ	W3	W4	W5	W6	W7	W8
9	OFF	OFF	OFF	OFF	OFF	ON
10	OFF	OFF	OFF	OFF	ON	OFF
11	OFF	OFF	OFF	ON	OFF	OFF
12	OFF	OFF	ON	OFF	OFF	OFF
14	OFF	ON	OFF	OFF	OFF	OFF
15	ON	OFF	OFF	OFF	OFF	OFF

HOST BUS		
TRANSFER RATE	W11	W13
5.0 MB/SEC.	OFF	OFF
5.7 MB/SEC.	OFF	ON
6.7 MB/SEC.	ON	OFF
8.0 MB/SEC.	ON	ON

W17

HOST I/O CHANNEL READY **ENABLE**/DISABLE

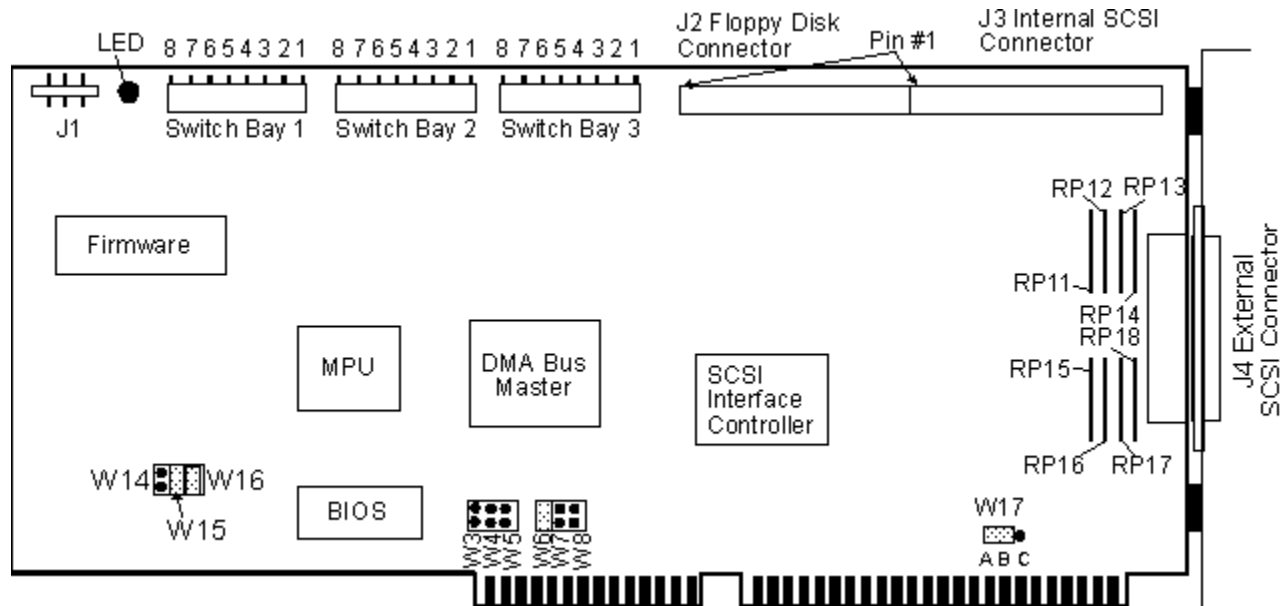
FLOPPY I/O

ADDRESS	W14
PRIMARY (3FX)	OFF
SECONDARY (37X)	ON

FLOPPY

CONTROLLER	W15	W16
DISABLE	OFF	OFF
ENABLE	ON	ON

BusLogic BT-542D



This is the BusLogic 542D SCSI adapter shown. Listed below are the possible Interrupt Request Line (IRQ), Base I/O Address, Base Memory Address, and other jumper/switch configurations:

Setup Choice for Windows NT 3.1 BusLogic Family

Type of External SCSI Connector Low Density Shielded

SWITCH BAY 1

SCSI

ID	SW1	SW2	SW3
0	OFF	OFF	OFF
1	ON	OFF	OFF
2	OFF	ON	OFF
3	ON	ON	OFF
4	OFF	OFF	ON
5	ON	OFF	ON
6	OFF	ON	ON
7	ON	ON	ON

SW4

SCSI PARITY **ENABLE**/DISABLE

SW5

DISK > 1GB and not SCO UNIX **ENABLE**/**DISABLE**

SW6

SCSI SYNCHRONIZATION NEGOTIATION **ENABLE**/**DISABLE**

DMA			
CHANNEL	SW7	SW8	
Disable		OFF	OFF
5	ON	ON	
6	OFF	ON	
7	ON	OFF	

SWITCH BAY 2

I/O			
ADDRESS	SW1	SW2	SW3
Reserved	OFF	OFF	OFF
134H-137H	ON	OFF	OFF
234H-237H	OFF	ON	OFF
334H-337H	ON	ON	OFF
Reserved	OFF	OFF	ON
130H-133H	ON	OFF	ON
230H-233H	OFF	ON	ON
330H-333H	ON	ON	ON

AT			
IRQ	SW6	SW7	SW8
Reserved	OFF	OFF	OFF
Reserved	ON	OFF	OFF
15	OFF	ON	OFF
14	ON	ON	OFF
12	OFF	OFF	ON
9	ON	OFF	ON
10	OFF	ON	ON
11	ON	ON	ON

SWITCH BAY 3

BIOS				
ADDRESS	SW3	SW4	SW5	
Disable		OFF	OFF	OFF
Reserved	ON	OFF	OFF	
0C8000H	OFF	ON	OFF	
0CC000H	ON	ON	OFF	
0D0000H	OFF	OFF	ON	
0D4000H	ON	OFF	ON	
0D8000H	OFF	ON	ON	
0DC000H	ON	ON	ON	

MAXIMUM SYNCHRONOUS

DATA RATE	SW6
10.0 MB/SEC.	OFF
5 MB/SEC.	ON

SW7
Reserved

SW8
Reserved

HOST BUS			
TRANSFER RATE	SW1	SW2	
8.0 MB/SEC.	OFF	OFF	
6.7 MB/SEC.	ON	OFF	
5.7 MB/SEC.	OFF	ON	
5.0 MB/SEC.	ON	ON	

JUMPER SETTINGS

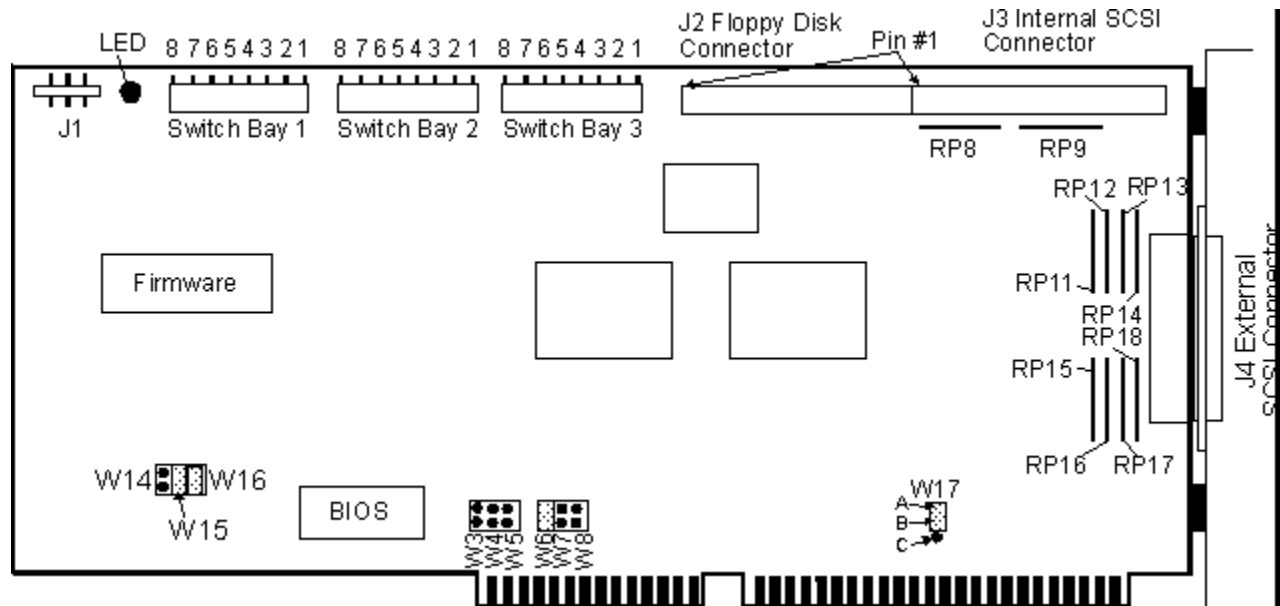
HOST						
IRQ	W3	W4	W5	W6	W7	W8
9	OFF	OFF	OFF	OFF	OFF	ON
10	OFF	OFF	OFF	OFF	ON	OFF
11	OFF	OFF	OFF	ON	OFF	OFF
12	OFF	OFF	ON	OFF	OFF	OFF
14	OFF	ON	OFF	OFF	OFF	OFF
15	ON	OFF	OFF	OFF	OFF	OFF

W17
HOST I/O CHANNEL READY **ENABLE**/DISABLE

FLOPPY I/O	
ADDRESS	W14
PRIMARY (3FX)	OFF
SECONDARY (37X)	ON

FLOPPY		
CONTROLLER	W15	W16
DISABLE	OFF	OFF
ENABLE	ON	ON

BusLogic BT-542S



This is the BusLogic 542S SCSI adapter shown. Listed below are the possible Interrupt Request Line (IRQ), Base I/O Address, Base Memory Address, and other jumper/switch configurations:

Setup Choice for Windows NT 3.1 BusLogic Family

Type of External SCSI Connector High Density Shielded

SWITCH BAY 1

SCSI

ID	SW1	SW2	SW3
0	OFF	OFF	OFF
1	ON	OFF	OFF
2	OFF	ON	OFF
3	ON	ON	OFF
4	OFF	OFF	ON
5	ON	OFF	ON
6	OFF	ON	ON
7	ON	ON	ON

SW4

SCSI PARITY **ENABLE/DISABLE**

SW5

DISK > 1GB and not SCO UNIX ENABLE/**DISABLE**

SW6

SCSI SYNCHRONIZATION NEGOTIATION ENABLE/**DISABLE**

DMA			
CHANNEL	SW7	SW8	
Disable		OFF	OFF
5	ON	ON	
6	OFF	ON	
7	ON	OFF	

SWITCH BAY 2

I/O			
ADDRESS	SW1	SW2	SW3
Reserved	OFF	OFF	OFF
134H-137H	ON	OFF	OFF
234H-237H	OFF	ON	OFF
334H-337H	ON	ON	OFF
Reserved	OFF	OFF	ON
130H-133H	ON	OFF	ON
230H-233H	OFF	ON	ON
330H-333H	ON	ON	ON

AT			
IRQ	SW6	SW7	SW8
Reserved	OFF	OFF	OFF
Reserved	ON	OFF	OFF
15	OFF	ON	OFF
14	ON	ON	OFF
12	OFF	OFF	ON
9	ON	OFF	ON
10	OFF	ON	ON
11	ON	ON	ON

SWITCH BAY 3

BIOS				
ADDRESS	SW3	SW4	SW5	
Disable		OFF	OFF	OFF
Reserved	ON	OFF	OFF	
0C8000H	OFF	ON	OFF	
0CC000H	ON	ON	OFF	
0D0000H	OFF	OFF	ON	
0D4000H	ON	OFF	ON	
0D8000H	OFF	ON	ON	
0DC000H	ON	ON	ON	

SW6
Reserved

SW7
Reserved

SW8
Reserved

HOST BUS		
TRANSFER RATE	SW1	SW2

8.0 MB/SEC.	OFF	OFF
6.7 MB/SEC.	ON	OFF
5.7 MB/SEC.	OFF	ON
5.0 MB/SEC.	ON	ON

JUMPER SETTINGS

HOST

IRQ	W3	W4	W5	W6	W7	W8
9	OFF	OFF	OFF	OFF	OFF	ON
10	OFF	OFF	OFF	OFF	ON	OFF
11	OFF	OFF	OFF	ON	OFF	OFF
12	OFF	OFF	ON	OFF	OFF	OFF
14	OFF	ON	OFF	OFF	OFF	OFF
15	ON	OFF	OFF	OFF	OFF	OFF

W17

HOST I/O CHANNEL READY **ENABLE**/DISABLE

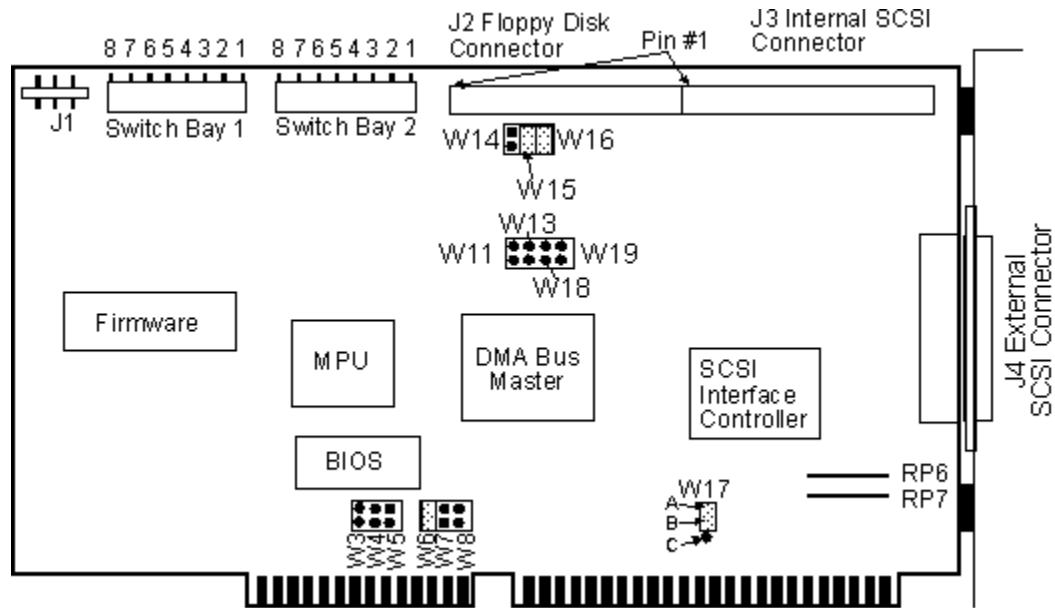
FLOPPY I/O

ADDRESS	W14
PRIMARY (3FX)	OFF
SECONDARY (37X)	ON

FLOPPY

CONTROLLER	W15	W16
DISABLE	OFF	OFF
ENABLE	ON	ON

BusLogic BT-545S



This is the BusLogic 545S SCSI adapter shown. Listed below are the possible Interrupt Request Line (IRQ), Base I/O Address, Base Memory Address, and other jumper/switch configurations:

Setup Choice for Windows NT 3.1 BusLogic Family

Type of External SCSI Connector High Density Shielded

Switch Bay 1

SCSI

ID	S1	S2	S3
0	OFF	OFF	OFF
1	ON	OFF	OFF
2	OFF	ON	OFF
3	ON	ON	OFF
4	OFF	OFF	ON
5	ON	OFF	ON
6	OFF	ON	ON
7	ON	ON	ON

SCSI

Parity	S4
Disable	OFF
Enable	ON

More than 1Gb SupportS5

Disable	OFF
Enable	ON

**Synchronous
Negotiation S6**
 Disable OFF
Enable ON

DMA
Channel S7 S8
 Disable OFF OFF
 7 ON OFF
 6 OFF ON
5 ON ON

Switch Bay 2

I/O
Port Address S1 S2 S3
 Reserved OFF OFF OFF
 134h-137h ON OFF OFF
 234h-237h OFF ON OFF
 334h-337h ON ON OFF
 Reserved OFF OFF ON
 130h-133h ON OFF ON
 230h-233h OFF ON ON
330h-333h ON ON ON

Bios
Address S4 S5
 0C8000h OFF OFF
 Disable ON OFF
 0D8000h OFF ON
0DC000h ON ON

Host
Interrupt Channel S6 S7 S8
 Reserved OFF OFF OFF
 Reserved ON OFF OFF
 15 OFF ON OFF
 14 ON ON OFF
 12 OFF OFF ON
 9 ON OFF ON
 10 OFF ON ON
11 ON ON ON

Jumpers

Host
Interrupt Channel W3 W4 W5 W6 W7 W8
 15 ON OFF OFF OFF OFF OFF
 14 OFF ON OFF OFF OFF OFF
 12 OFF OFF ON OFF OFF OFF
11 OFF OFF OFF ON OFF OFF
 10 OFF OFF OFF OFF ON OFF
 9 OFF OFF OFF OFF OFF ON

Bus

Transfer Rate		W11	W13
5.0 MB/Sec	OFF	OFF	
5.7 MB/Sec	OFF	ON	
6.7 MB/Sec	ON	OFF	
8.0 MB/Sec	ON	ON	

Floppy

Controller	W15	W16
Enable	ON	ON
Disable	OFF	OFF

Floppy

Address	W14
3FX	OFF
37X	ON

I/O

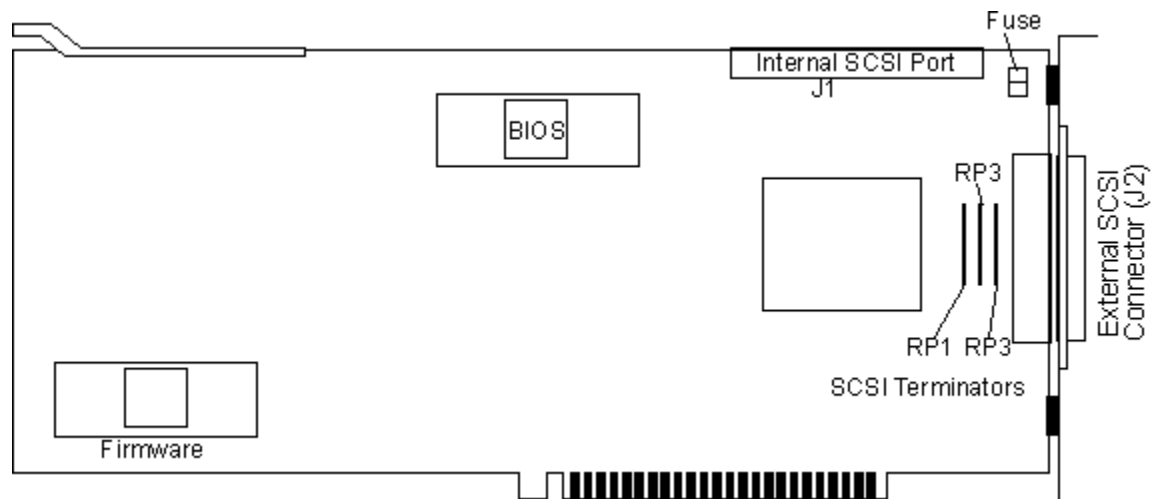
Channel Read	W17
Enable	A-B
Disable	B-C

W18 Reserved

Max

Synchronous Rate	W19
5 MB/Sec	ON
10 MB/Sec	OFF

BusLogic BT-640A



This SCSI interface card can be configured using the software supplied by the manufacturer. Please consult the documentation that came with your SCSI interface card or contact the manufacturer of the SCSI interface card for further information.

Setup Choice for Windows NT 3.1

BusLogic Family

Type of External SCSI Connector

High Density Shielded

BIOS Address

Default - DC00h

I/O Port Address

Default - 330h

Arbitration Level

Default - Level 5

Arbitration Firmware

Default - ON

IRQ

Default - 15

SCSI ID

Default - 7

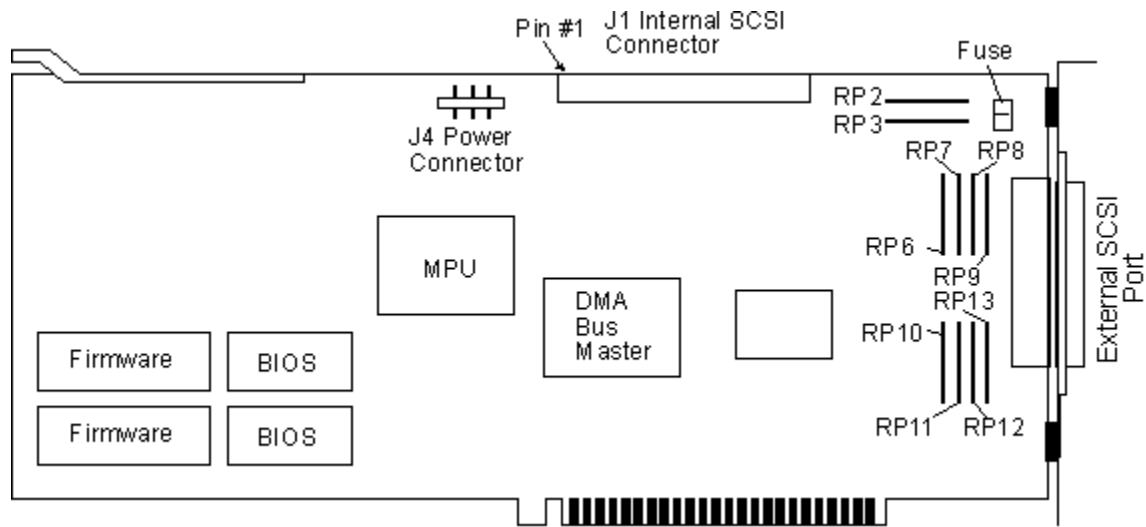
Adapter Sync

Default - ON

Adapter SCSI parity checking

Default - ON

BusLogic BT-646S/646D



This SCSI interface card can be configured using the software supplied by the manufacturer. Please consult the documentation that came with your SCSI interface card or contact the manufacturer of the SCSI interface card for further information.

Setup Choice for Windows NT 3.1

BusLogic Family

Type of External SCSI Connector

High Density Shielded

Note1: - The BT-746S supports the single-ended SCSI interface with active termination. The BT-746D supports the differential SCSI interface.

BIOS Address

Default - DC00h

I/O Port Address

Default - 330h

Arbitration Level

Default - Level 5

Arbitration Fairness

Default - ON

IRQ

Default - 15

SCSI ID

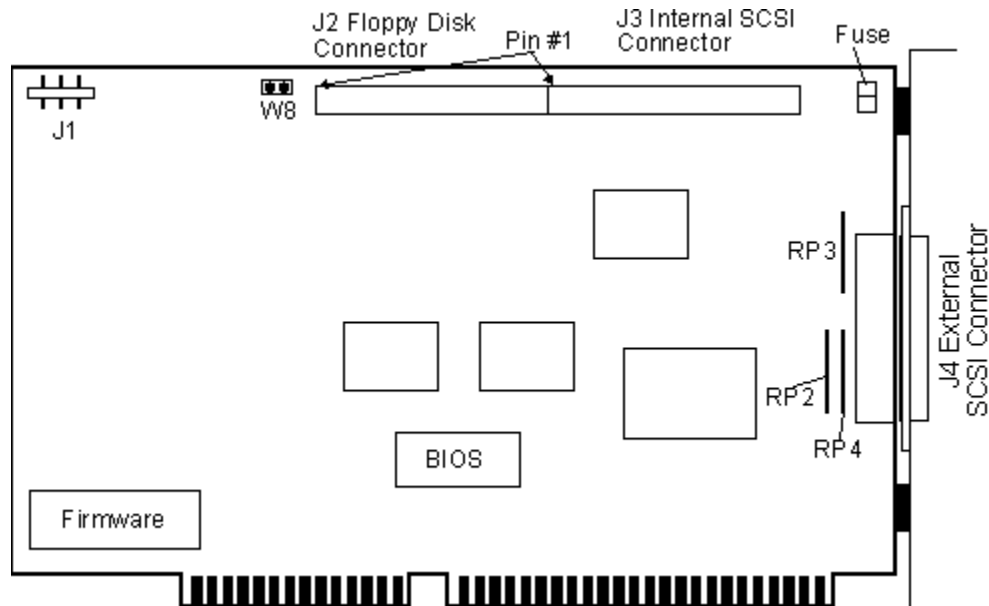
Default - 7

Adapter Sync

Default - ON

Adapter SCSI parity checking
Default - ON

BusLogic BT-742A



Setup Choice for Windows NT 3.1

BusLogic Family

Type of External SCSI Connector

Low Density Shielded

W8

Floppy enable/disable

The remaining settings for this SCSI interface card can be configured using the software supplied by the manufacturer. Please consult the documentation that came with your SCSI interface card or contact the manufacturer of the SCSI interface card for further information.

Note: Terminators are RN2, RN3, and RN4. Remove if the adapter is not the first or last device on the SCSI bus.

BIOS Address

Default - DC00h 16K

I/O Port Address

Default - 330h

IRQ

Default - 11

SCSI ID

Default - 7

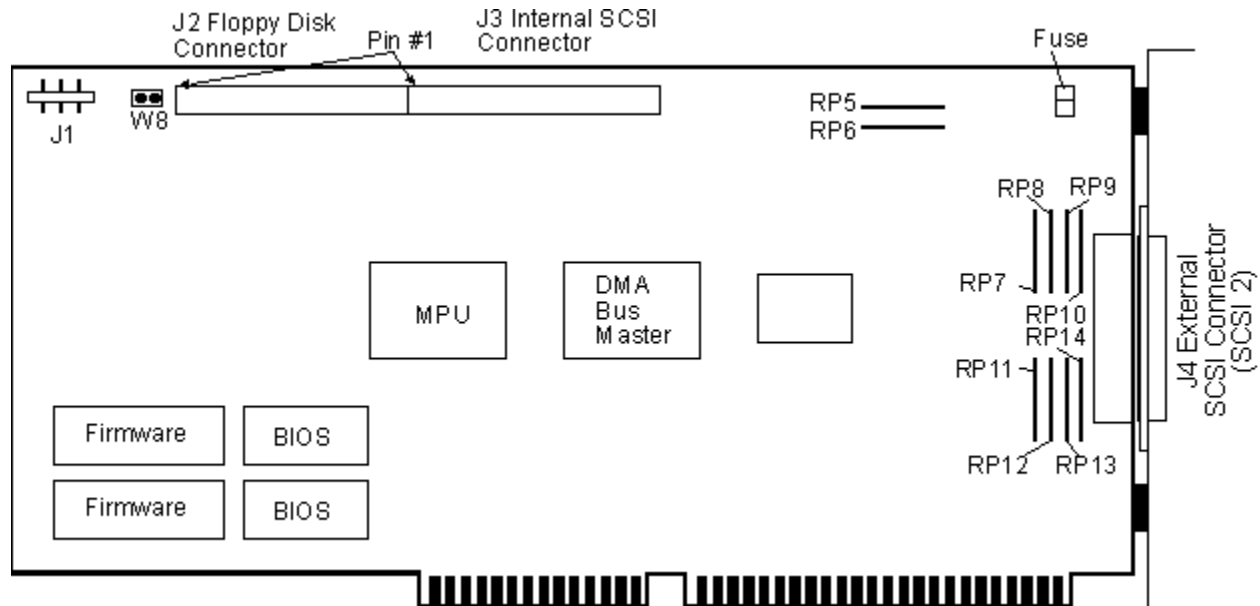
Adapter Sync

Default - OFF

Adapter SCSI parity checking
Default - ON

DMA Channel
Default - 5

BusLogic BT-747S/747D



Setup Choice for Windows NT 3.1

BusLogic Family

Type of External SCSI Connector

High Density Shielded

Note1: When using a Buslogic 747 SCSI adapter with an AST Manhattan SMP computer, you must disable the BIOS on the adapter. For more information on disabling the BIOS, refer to the adapter's documentation.

W8

Floppy enable/disable

BIOS Address

Default - DC00h 16K

I/O Port Address

Default - 330h

IRQ

Default - 11

SCSI ID

Default - 7

Adapter Sync

Default - OFF

Adapter SCSI parity checking

Default - ON

DMA Channel

Default - 5

Note - The BT-747S supports the single-ended SCSI interface with active termination. The BT-747D supports the differential SCSI interface.

The remaining settings for this SCSI interface card can be configured using the software supplied by the manufacturer. Please consult the documentation that came with your SCSI interface card or contact the manufacturer of the SCSI interface card for further information.

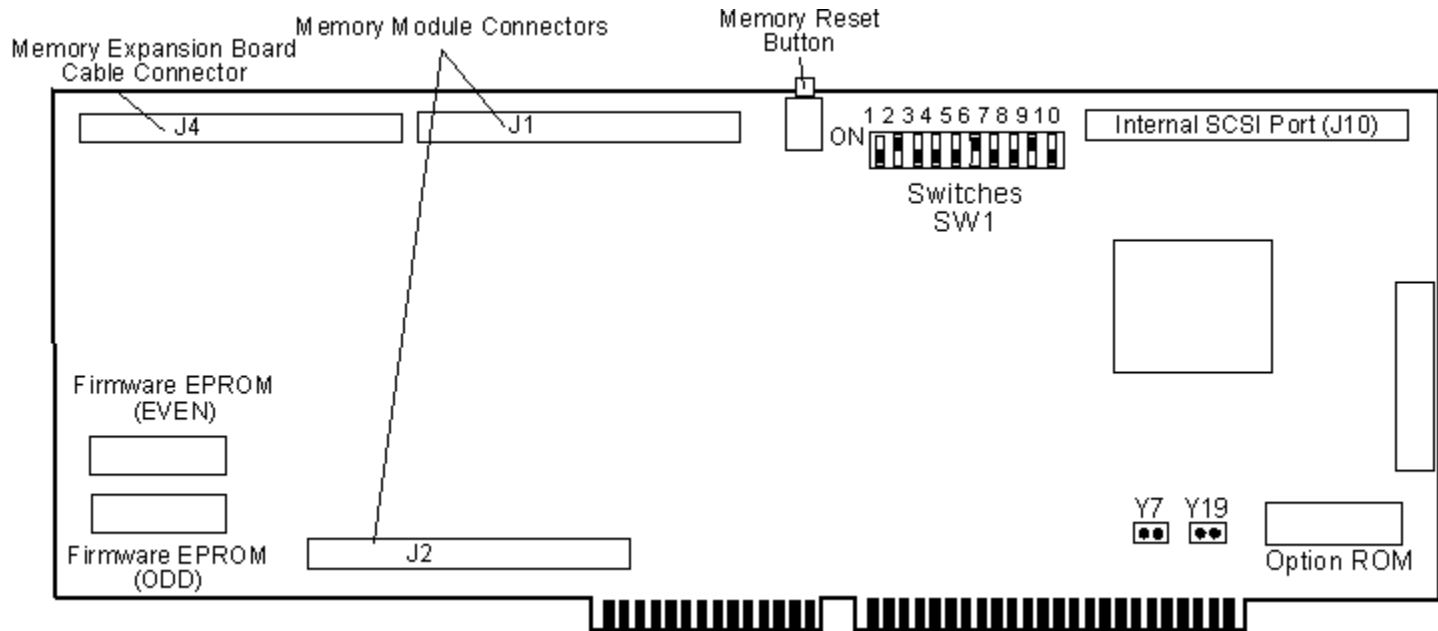
DPT

Windows NT Adapter help currently includes the following DPT SCSI cards:

PM2011

PM2012

DPT PM2012



This is the DPT PM2012 SCSI adapter shown. Listed below are the possible Interrupt Request Line (IRQ), Base I/O Address, Base Memory Address, and other jumper/switch configurations:

Setup Choice for Windows NT 3.1

DPT PM201x

Type of External SCSI Connector

Low Density Shielded

Note1: - Removable media drives are not supported with cache module installed.

SWITCH BAY 1

SW1

Busy

SW2

Computer bus transfer to controller

SW3

Computer bus transfer from controller

SW4

Cache hit

SW5

Disk read-ahead active

SW6

Disk read

SW7

Disk write

SW8

Controller reset

SW9

Controller interrupt pending to computer

SW10

DAQ asserted to computer

JUMPERS**W7**DPT ROM **ENABLE**/DISABLE**DPT ROM**

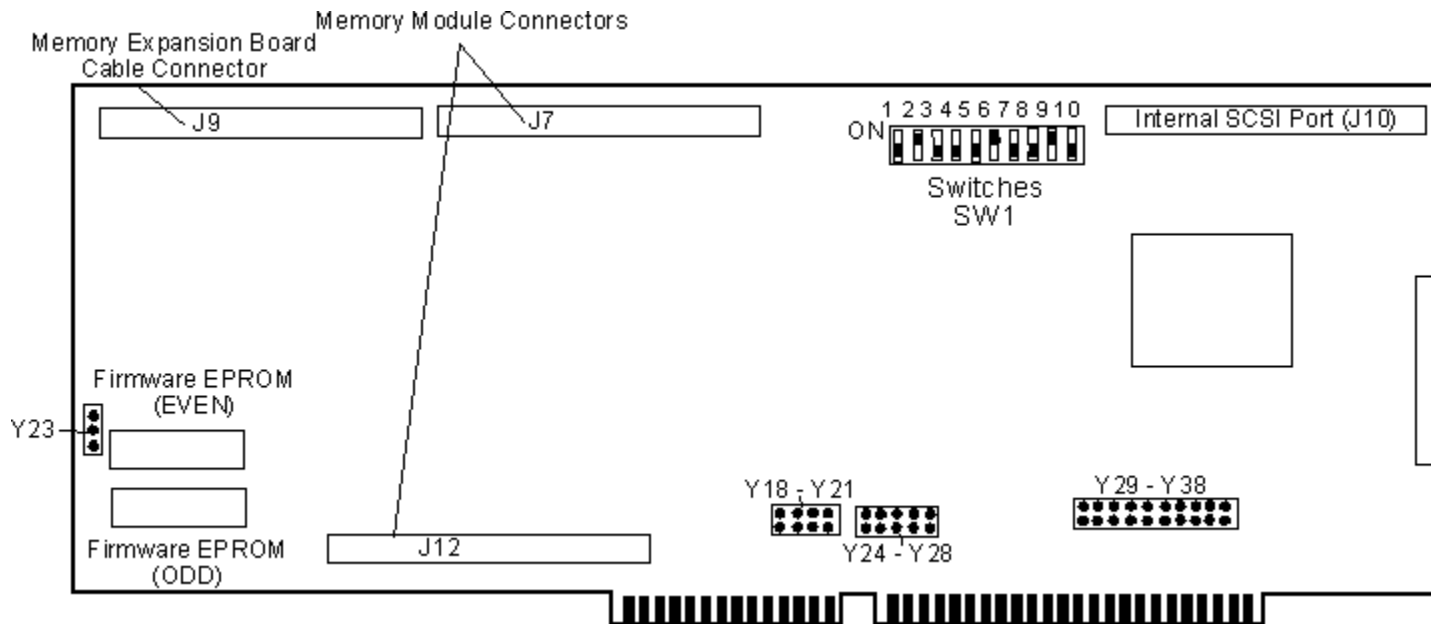
ADDRESS	W19
----------------	------------

C8000	OFF
--------------	------------

D8000	ON
-------	----

The remaining settings for this SCSI interface card can be configured using the software supplied by the manufacturer. Please consult the documentation that came with your SCSI interface card or contact the manufacturer of the SCSI interface card for further information.

DPT PM2011



This is the DPT PM2011 SCSI adapter shown. Listed below are the possible Interrupt Request Line (IRQ), Base I/O Address, Base Memory Address, and other jumper/switch configurations:

Setup Choice for Windows NT 3.1

DPT PM201x

Type of External SCSI Connector

Low Density Shielded

Note1: - Removable media drives are not supported with cache module installed.

Jumpers

Floppy Drive Y20

Enable **OFF**
Disable **ON**

Floppy

Address **Y34**
3F0h **OFF**
370h **ON**

Optional

ROM Address	Y36	Y37
C800h	ON	ON
D800h	ON	OFF
DC00h	OFF	ON
Disabled	OFF	OFF

SCSI

ID	Y25	Y18	Y26
7	ON	ON	ON
6	OFF	ON	ON
5	ON	OFF	ON
4	OFF	OFF	ON
3	ON	ON	OFF
2	OFF	ON	OFF
1	ON	OFF	OFF
0	OFF	OFF	OFF

MEMCS16

(ISA Memory)	Y21	Y28	Memory
Ignore MEMCS16	OFF	ON	16-bit
Decode MEMCS16	ON	OFF	8 or 16-bit

Address Lines Used	Y19
SA17-19 & LA17-19 driven	ON
Only LA17-19 driven	OFF

DMA Speed	Y27
4 MB/Sec	ON
5 MB/Sec	OFF

Bus Mastering	Y24
Enabled	OFF
Disabled	ON

EPR0M Size (Jumper Y23)	Post 1	Post 2	Post 3
256K	OFF	ON	ON
512K	ON	ON	OFF

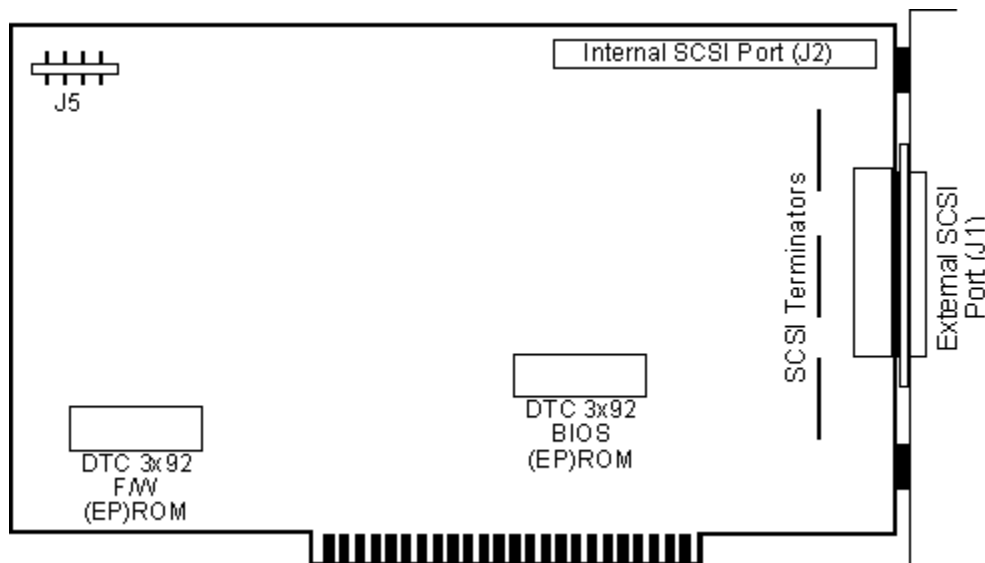
DTC

Windows NT Adapter help currently includes the following DTC SCSI cards:

DTC 3192

DTC 3292

DTC 3192



This SCSI interface card can be configured using the software supplied by the manufacturer. Please consult the documentation that came with your SCSI interface card or contact the manufacturer of the SCSI interface card for further information.

Setup Choice for Windows NT 3.1

Type of External SCSI Connector

High Density Shielded

BIOS Address

Default - D800h

I/O Port Address

Default - 330h

IRQ

Default - 11

SCSI ID

Default - 7

Adapter SCSI parity checking

Default - OFF

Floppy Disk Controller

Default - ON

SCSI Cold Boot Delay

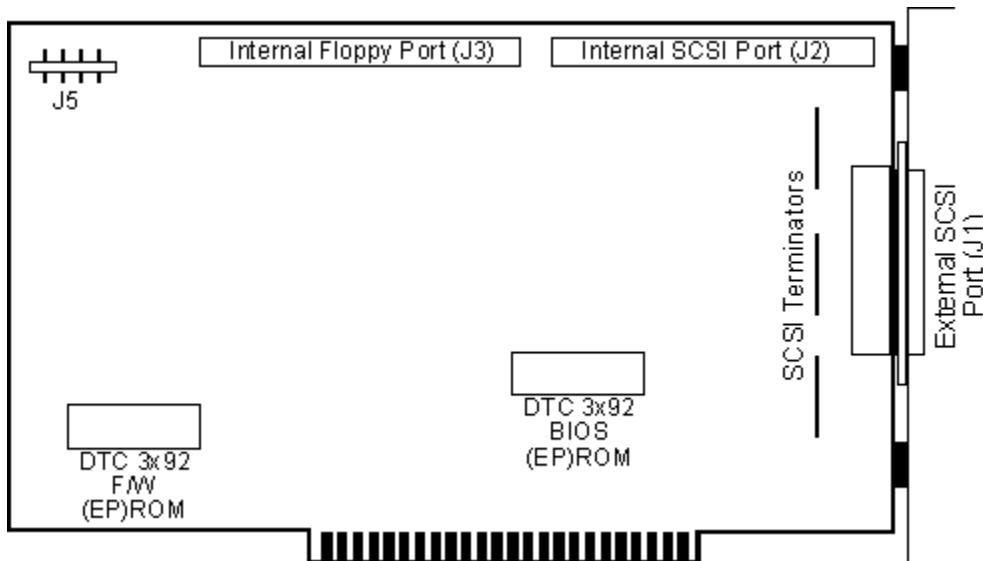
Default - 10sec

Start SCSI Delay

Default - OFF

SCSI Auto Synchronous Negotiation
Default - OFF

DTC 3292



This SCSI interface card can be configured using the software supplied by the manufacturer. Please consult the documentation that came with your SCSI interface card or contact the manufacturer of the SCSI interface card for further information.

Setup Choice for Windows NT 3.1

DTC 329X

Type of External SCSI Connector

High Density Shielded

Note1: - CD-audio, tape drives and scanners are not supported on this controller.

BIOS Address

Default - D800h

I/O Port Address

Default - 330h

IRQ

Default - 11

SCSI ID

Default - 7

Adapter SCSI parity checking

Default - OFF

Floppy Disk Controller

Default - ON

SCSI Cold Boot Delay

Default - 10sec

Start SCSI Delay
Default - OFF

SCSI Auto Synchronous Negotiation
Default - OFF

Future Domain

Windows NT Adapter help currently includes the following Future Domain SCSI cards:

MCS-600

MCS-700

TMC-845

TMC-850-M

TMC-860M/885M

TMC-1650

TMC-1660

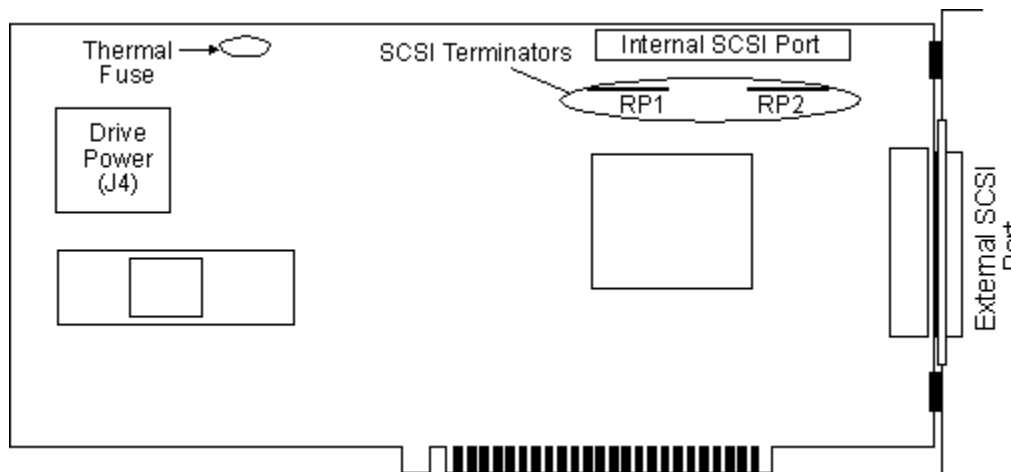
TMC-1670

TMC-1680

TMC-7000EX

Future Domain Notes

Future Domain MCS-600



This is the Future Domain MCS-600 SCSI adapter shown. Listed below are the possible Interrupt Request Line (IRQ), Base I/O Address, Base Memory Address, and other jumper/switch configurations:

Setup Choice for Windows NT 3.1

Type of External SCSI Connector

25-Pin "Apple SCSI"

Note1: - This Pioneer DRM-600 CD-ROM drive is not supported for use with the Future Domain MCS-600 adapter.

W4

Termination Power Enable/Disable

The remaining settings for this SCSI interface card can be configured using the software supplied by the manufacturer. Please consult the documentation that came with your SCSI interface card or contact the manufacturer of the SCSI interface card for further information.

Interrupt Request Line (IRQ)

Default - IRQ5

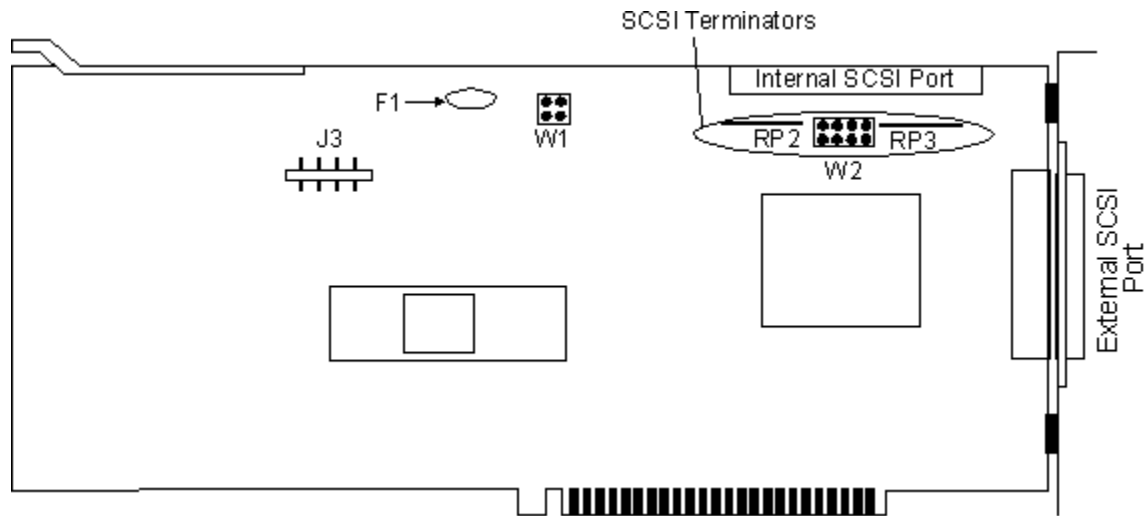
Base I/O Address

Default - 140h

Base Memory Address

Default - CA00h

Future Domain MCS-700



This is the Future Domain MCS-700 SCSI adapter shown. Listed below are the possible Interrupt Request Line (IRQ), Base I/O Address, Base Memory Address, and other jumper/switch configurations:

Setup Choice for Windows NT 3.1

Type of External SCSI Connector

High Density Shielded

W1

Termination Power Enable/Disable

The remaining settings for this SCSI interface card can be configured using the software supplied by the manufacturer. Please consult the documentation that came with your SCSI interface card or contact the manufacturer of the SCSI interface card for further information.

Interrupt Request Line (IRQ)

Default - IRQ5

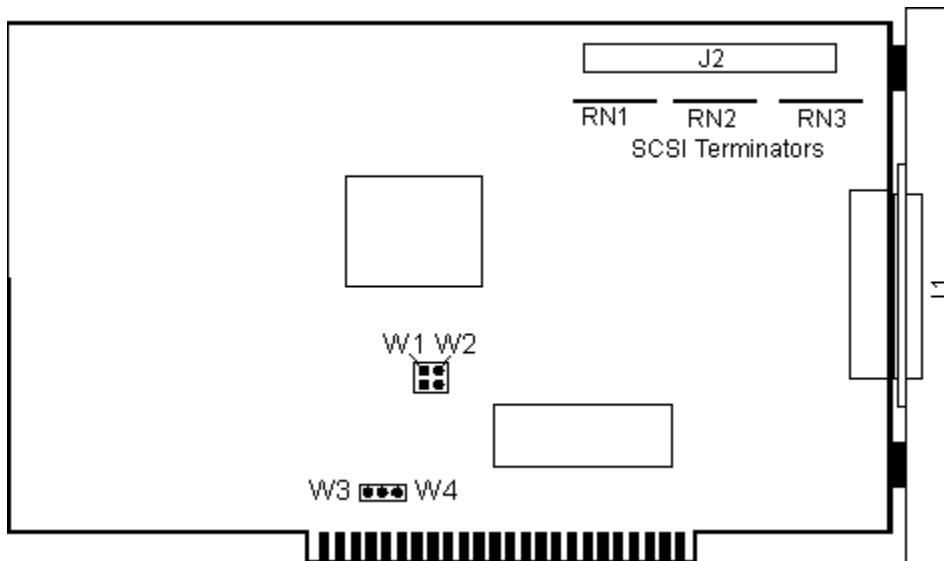
Base I/O Address

Default - 140h

Base Memory Address

Default - CA00h

Future Domain TMC-845



This is the Future Domain TMC-845 SCSI adapter shown. Listed below are the possible Interrupt Request Line (IRQ), Base I/O Address, Base Memory Address, and other jumper/switch configurations:

Setup Choice for Windows NT 3.1

Future Domain 8xx

Type of External SCSI Connector

25-Pin (Labeled SCSI or APPLE SCSI)

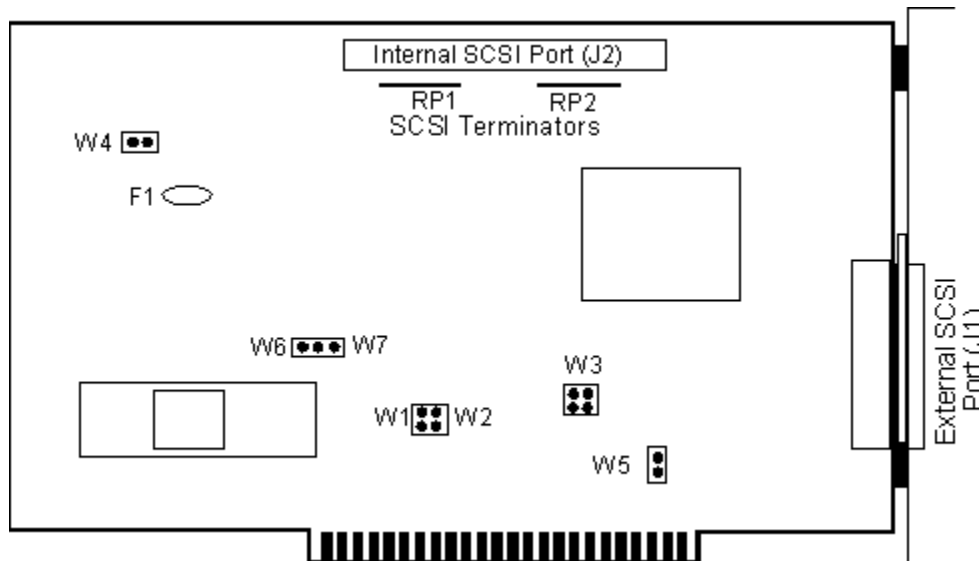
Note1: - To use this adapter, at least one device on the bus must provide termination power.

Note2: - Refer to SETUP.TXT for information on configuring this adapter.

ADDRESS	W1	W2	
CA00H		OFF	OFF
C800H	OFF	ON	
CE00H	ON	OFF	
DE00H	ON	ON	
IRQ	W3	CENTER POST	W4
3	ON	ON	OFF
5	OFF	ON	ON

The remaining settings for this SCSI interface card can be configured using the software supplied by the manufacturer. Please consult the documentation that came with your SCSI interface card or contact the manufacturer of the SCSI interface card for further information.

Future Domain TMC-850-M



This is the Future Domain TMC-850-M SCSI adapter shown above. Listed below are the possible Interrupt Request Line (IRQ), Base I/O Address, Base Memory Address, and other jumper/switch configurations:

Setup Choice for Windows NT 3.1

Future Domain 8xx

Type of External SCSI Connector

25-Pin "Apple SCSI"

Note1: - To use this adapter, at least one device on the bus must provide termination power.

Note2: - Refer to SETUP.TXT for information on configuring this adapter.

Note3: - The Phillips/LMSI CM-215 (CD-ROM) drive is not supported for use with the Future Domain TMC-850M and TMC-1670 adapters.

Note4: - The Exabyte 4200C (tape) drive is not supported with the Future Domain TMC-850M(ER).

BIOS BASE

ADDRESS	W1	W2	W3	
CA00H		OFF	OFF	"1-2, 3-4"
C800H	OFF	ON		"1-2, 3-4"
CE00H	ON	OFF		"1-2, 3-4"
DE00H	ON	ON		"1-2, 3-4"
E800H	OFF	OFF		"1-3, 2-4"
EC00H	ON	OFF		"1-3, 2-4"

W4

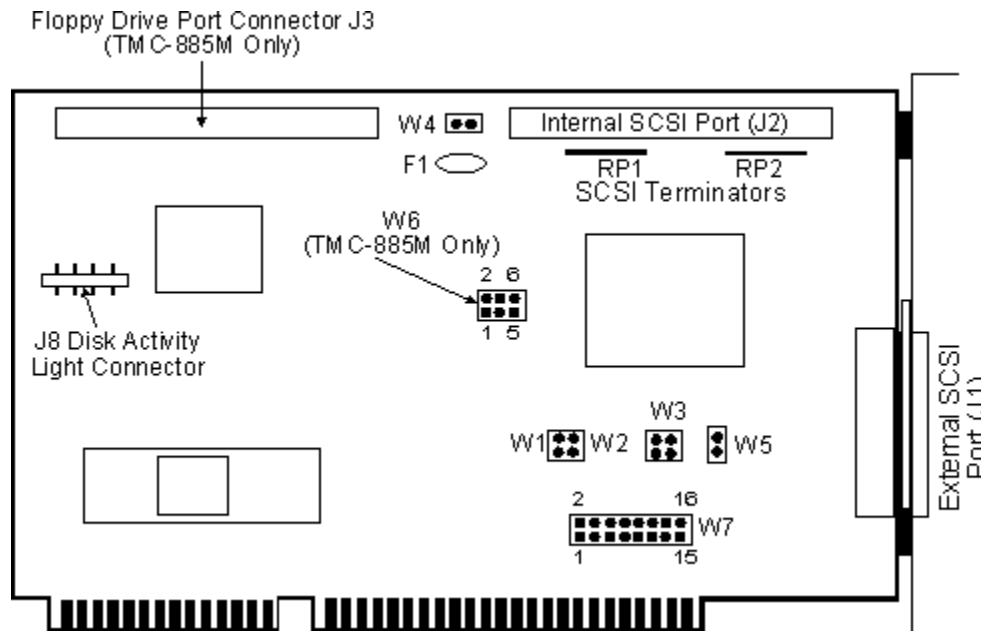
Termination Power Enable/Disable (Shorted/Open)

W5

Zero Wait State Enable/Disable (Shorted/Open)

IRQ	W6	CENTER POST	W7
3	ON	ON	OFF
5	OFF	ON	ON

Future Domain TMC-860M/885M



This is the Future Domain TMC-860M/885M SCSI adapter shown above. Listed below are the possible Interrupt Request Line (IRQ), Base I/O Address, Base Memory Address, and other jumper/switch configurations:

Setup Choice for Windows NT 3.1

Future Domain 8xx

Type of External SCSI Connector

25-Pin "Apple SCSI"

Note1: - Refer to SETUP.TXT for information on configuring this adapter.

BIOS BASE

ADDRESS	W1	W2	W3	
CA00H		OFF	OFF	"1-2, 3-4"
C800H	OFF	ON		"1-2, 3-4"
CE00H	ON	OFF		"1-2, 3-4"
DE00H	ON	ON		"1-2, 3-4"
E800H	OFF	OFF		"1-3, 2-4"
EC00H	ON	OFF		"1-3, 2-4"

W4

Termination Power Enable/**Disable** (Shorted/**Open**)

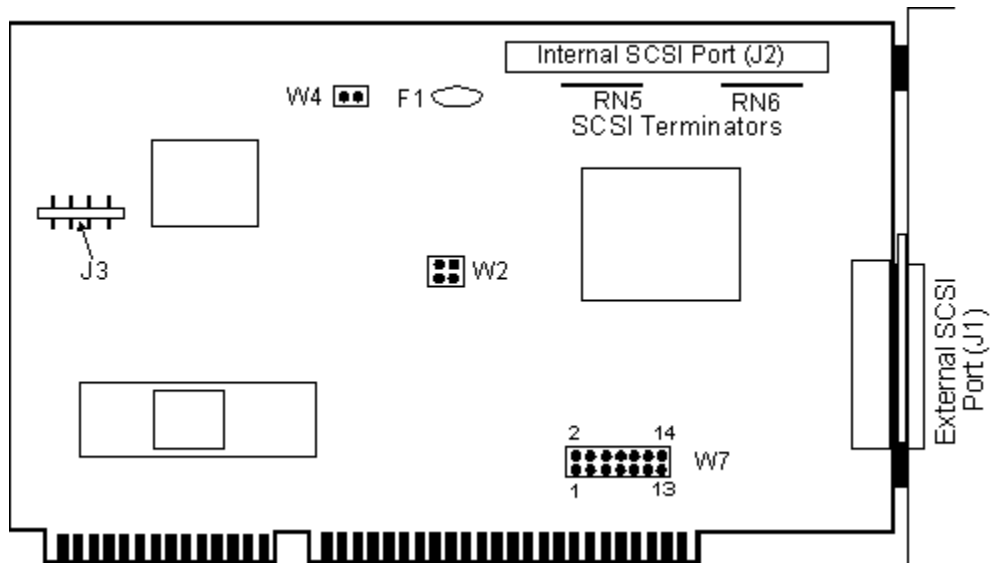
W5

Zero Wait State Enable/**Disable** (Shorted/**Open**)

W6

(TMC-885M Only)	PIN 1-2	PIN 3-4	PIN 5-6
Floppy Circuit Enable	ON	ON	ON
Floppy Circuit Disable	OFF	OFF	OFF

Future Domain TMC-1650



This is the Future Domain TMC-1650 SCSI adapter shown. Listed below are the possible Interrupt Request Line (IRQ), Base I/O Address, Base Memory Address, and other jumper/switch configurations:

Setup Choice for Windows NT 3.1

Future Domain 16xx

Type of External SCSI Connector

25-Pin (Labeled SCSI or APPLE SCSI)

W1

IRQ	J1	J2	J3
3	OFF	OFF	OFF
5	ON	OFF	OFF
10	OFF	ON	OFF
11	ON	ON	OFF
12	OFF	OFF	ON
14	ON	OFF	ON
15	OFF	ON	ON
Disabled	ON	ON	ON

I/O

ADDRESS	J4	J5
0140-014F	OFF	OFF
0150-015F	ON	OFF
0160-016F	OFF	ON
0170-017F	ON	ON

MEMORY

ADDRESS	J6	J7
C8000-C9FFF	OFF	OFF
CA000-CBFFF	ON	OFF

CE000-CFFFF	OFF	ON
DE000-DEFFF	ON	ON

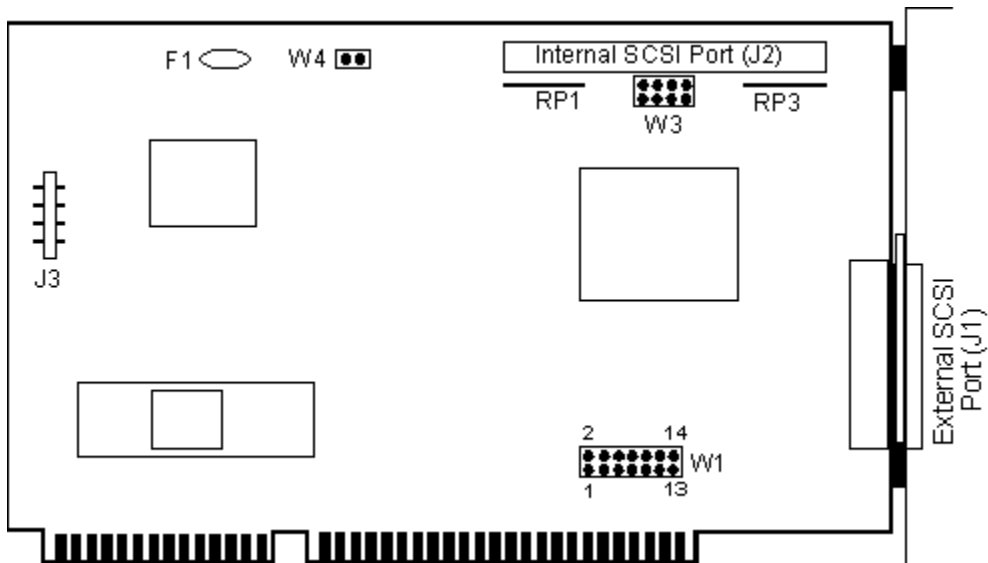
W2

ROM	J1	J2
ENABLE	ON	ON
DISABLE	OFF	OFF

W4

Termination Power Enable/**Disable**

Future Domain TMC-1660



This is the Future Domain TMC-1660 SCSI adapter shown. Listed below are the possible Interrupt Request Line (IRQ), Base I/O Address, Base Memory Address, and other jumper/switch configurations:

Setup Choice for Windows NT 3.1

Future Domain 16xx

Type of External SCSI Connector

High Density Shielded

W1

IRQ	J1	J2	J3
3	OFF	OFF	OFF
5	ON	OFF	OFF
10	OFF	ON	OFF
11	ON	ON	OFF
12	OFF	OFF	ON
14	ON	OFF	ON
15	OFF	ON	ON
Disabled	ON	ON	ON

I/O

ADDRESS	J4	J5
0140-014F	OFF	OFF
0150-015F	ON	OFF
0160-016F	OFF	ON
0170-017F	ON	ON

MEMORY

ADDRESS	J6	J7
C8000-C9FFF	OFF	OFF
CA000-CBFFF	ON	OFF

CE000-CFFFF	OFF	ON
DE000-DFFFF	ON	ON

W3

FLOPPY	J1	J2	J3
ENABLE	ON	ON	ON
DISABLE	OFF	OFF	OFF

W4

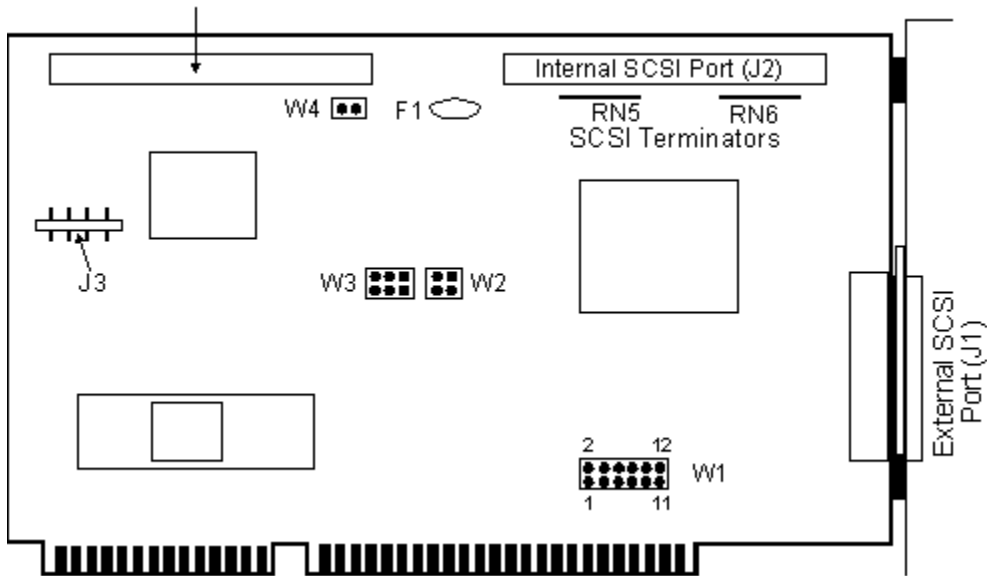
Termination Power Enable/***Disable***

Note: It is possible under MS-DOS to use the 16-bit future domain adapters in a configuration where there is no interrupt for the 16-bit adapter. This configuration is not supported by Windows NT. If setup to a 16-bit Future Domain adapter hangs when attempting to go into GUI mode double check that the adapter is configured on an interrupt (jumper settable on adapter. setting is read by the Windows NT fd18xx.sys driver at initialization time).

Note: Some revisions of the firmware for the wangtek 5150es are incompatible with the 16-bit Future Domain adapters. If a system hangs due to this combination, contact Wangtek to get their latest revision of the firmware.

Future Domain TMC-1670

Floppy Drive Port Connector J5



This is the Future Domain TMC-1670 SCSI adapter shown. Listed below are the possible Interrupt Request Line (IRQ), Base I/O Address, Base Memory Address, and other jumper/switch configurations:

Setup Choice for Windows NT 3.1

Future Domain 16xx

Type of External SCSI Connector

25-Pin "Apple SCSI"

W1

IRQ	J1	J2	J3
3	OFF	OFF	OFF
5	ON	OFF	OFF
10	OFF	ON	OFF
11	ON	ON	OFF
12	OFF	OFF	ON
14	ON	OFF	ON
15	OFF	ON	ON
Disabled	ON	ON	ON

I/O

ADDRESS	J4	J5
0140-014F	OFF	OFF
0150-015F	ON	OFF
0160-016F	OFF	ON
0170-017F	ON	ON

MEMORY ADDRESS

J6 J7

C8000-C9FFF	OFF	OFF
CA000-CBFFF	ON	OFF
CE000-CFFFF	OFF	ON
DE000-DFFFF	ON	ON

W2

ROM	J1	J2
ENABLE	ON	ON
DISABLE	OFF	OFF

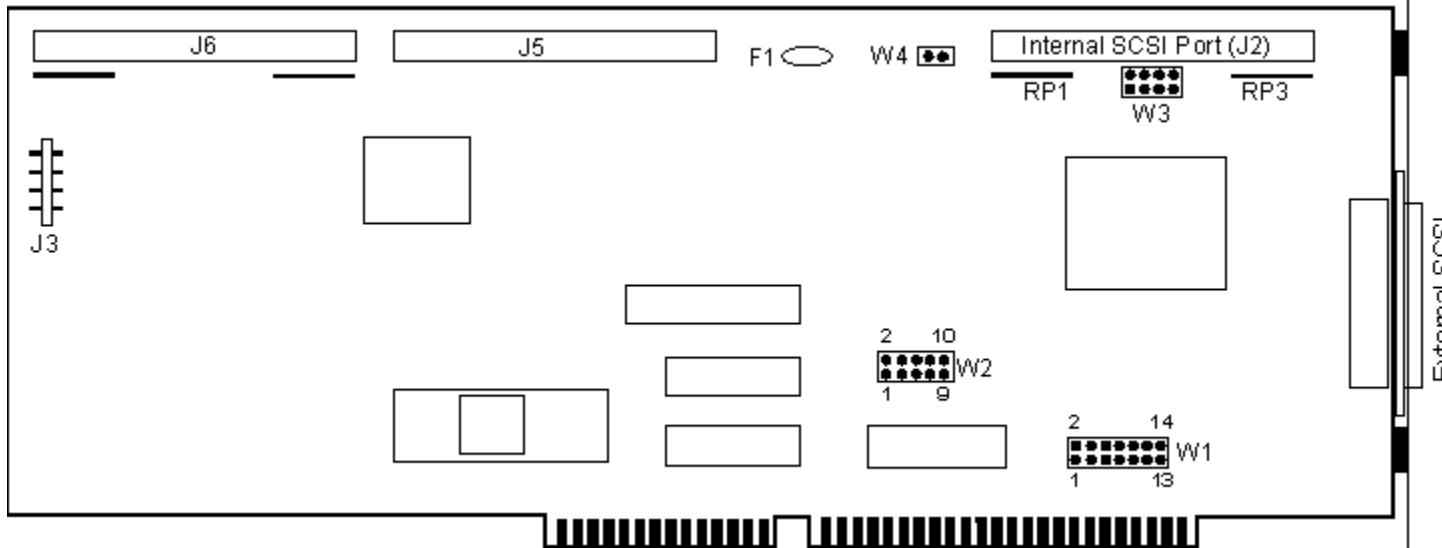
W3

FLOPPY	J1	J2	J3
ENABLE	ON	ON	ON
DISABLE	OFF	OFF	OFF

W4

Termination Power Enable/**Disable**

Future Domain TMC-1680



This is the Future Domain TMC-1680 SCSI adapter shown. Listed below are the possible Interrupt Request Line (IRQ), Base I/O Address, Base Memory Address, and other jumper/switch configurations:

Setup Choice for Windows NT 3.1

Future Domain 16xx

Type of External SCSI Connector

High Density Shielded

W1

IRQ	J1	J2	J3
3	OFF	OFF	OFF
5	ON	OFF	OFF
10	OFF	ON	OFF
11	ON	ON	OFF
12	OFF	OFF	ON
14	ON	OFF	ON
15	OFF	ON	ON
Disabled	ON	ON	ON

I/O

ADDRESS	J4	J5
0140-014F	OFF	OFF
0150-015F	ON	OFF
0160-016F	OFF	ON
0170-017F	ON	ON

MEMORY

ADDRESS	J6	J7
C8000-C9FFF	OFF	OFF
CA000-CBFFF	ON	OFF

CE000-CFFFF	OFF	ON
DE000-DFFFF	ON	ON

W2

JUMPER 1

PRIMARY DISKETTE **ENABLE**/DISABLE

JUMPER 2

SECONDARY DISKETTE ENABLE/**DISABLE**

JUMPER 3

AT DISK CONTROLLER ENABLE/**DISABLE**

JUMPER 4

ROM ENABLE/DISABLE

JUMPER 5

ROM AND RAM ENABLE/DISABLE

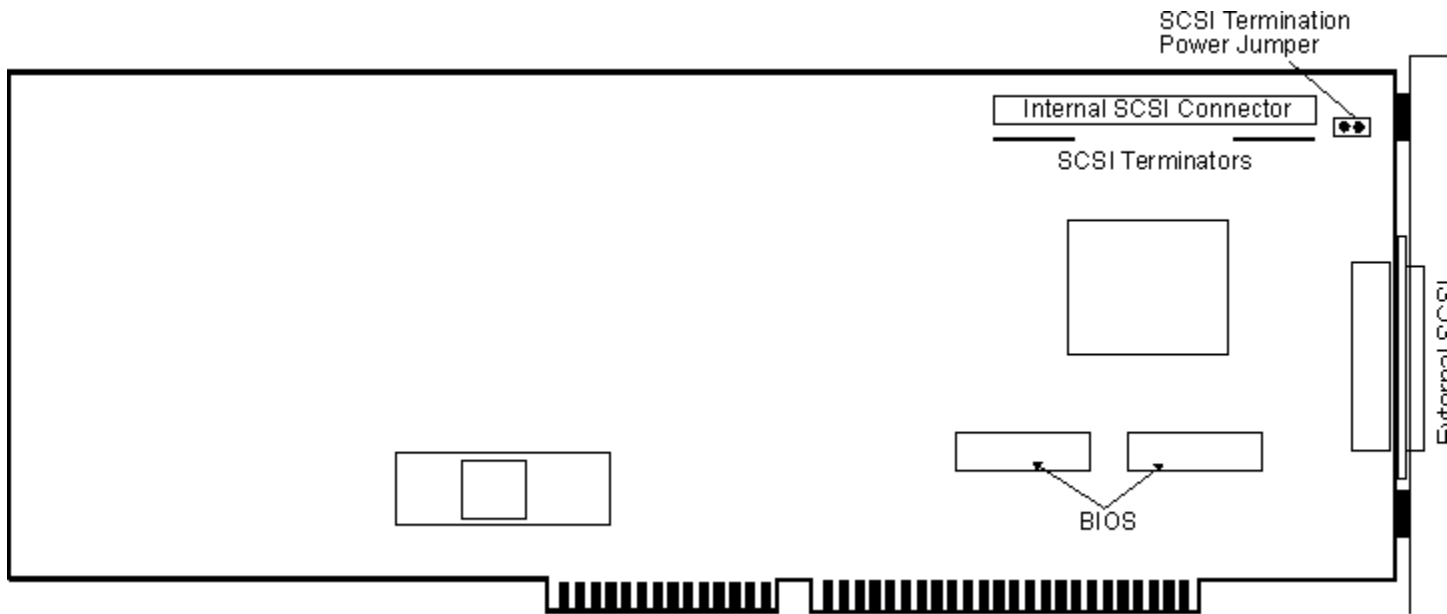
W3

FLOPPY	J1	J2	J3
ENABLE	ON	ON	ON
DISABLE	OFF	OFF	OFF

W4

TERMINATION POWER ENABLE/**DISABLE**

Future Domain TMC-7000EX



This SCSI interface card can be configured using the software supplied by the manufacturer. Please consult the documentation that came with your SCSI interface card or contact the manufacturer of the SCSI interface card for further information.

Setup Choice for Windows NT 3.1

Future Domain / Western Digital 7000EX

Type of External SCSI Connector

Low Density Shielded

Interrupt Request Line (IRQ)

Default - IRQ14

Base Memory Address

Default - DC000h - DFFFFh

Future Domain Notes

The Windows NT driver that supports the Future Domain 845, 850, and 885 adapters assumes operation on IRQ 5. If the adapter is set for another interrupt, the Future Domain driver will continue to work, but in a polling fashion that may slow down operation of the system. Further, the Future Domain driver will register to the system claiming the use of IRQ 5 and this may disrupt operation of another device that is actually configured for IRQ 5. If you are using one of the above mentioned Future Domain adapters, please complete the Windows NT installation normally, then change the IRQ information for the driver in the registry. If the IRQ is incorrect, the driver will log an event view able in the Event Viewer Administrative Tool.

If you have a 16-bit Future Domain card or an 8-bit M series card configured with an external SCSI device, make sure that SCSI termination is correct. You must set a jumper on the card for this setting. Check the card's documentation for details.

A Future Domain SCSI adapter might use conflicting memory addresses. This requires re-configuring the hardware by changing jumpers.

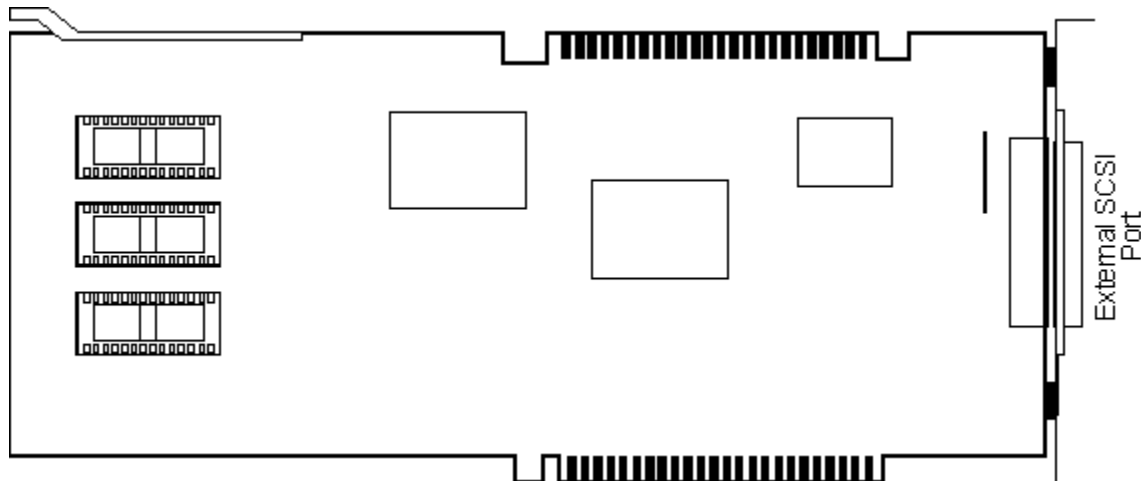
The IBM 3510 CD does not provide termination power. To use this CD player with an 8-bit series Future Domain adapter either an 8-bit adapter that provides termination power (via a jumper on the adapter) or another device that provides termination power must be present on the SCSI bus for this combination to work.

IBM

Windows NT Adapter help currently includes the following IBM SCSI cards:

IBM PS/2 MicroChannel SCSI Host Adapter

IBM PS/2 SCSI Host Adapter



This SCSI interface card can be configured using the software supplied by the manufacturer. Please consult the documentation that came with your SCSI interface card or contact the manufacturer of the SCSI interface card for further information.

Setup Choice for Windows NT 3.1

IBM PS/2

Type of External SCSI Connector

IBM RS-6000 Connector

Note1: - These (tape) drives are not supported with the IBM PS/2 MicroChannel SCSI Host Adapter (with cache).

Exabyte 4200
EXB-8205
EXB-8205ST

Note2: - To configure an IBM SCSI adapter with a BIOS dated before 1991 for use with Windows NT, use a PS/2 Reference Diskette version 1.21 or later.

Note3: - On older IBM SCSI controllers the physical drive ID's (what you set the switch or jumper to on the drive itself) are remapped to logical IDs. It scans from the highest priority physical ID (6) down to the lowest priority (0) and assigns them in sequential order to logical IDs 0, 1, 2, etc. All software sees from the SCSI adapter the logical IDs just as if they were physical IDs.

Note4: - With 2 IBM SCSI adapters, and the boot drive on one adapter and a CD-ROM on the other adapter, Windows NT setup does not see the CD-ROM drive. This is a HW problem. Put the CD-ROM on the same SCSI adapter as the boot drive, or use a different SCSI adapter other than IBM.

NCR

Windows NT Adapter help currently includes the following NCR SCSI cards:

NCR 53C90

NCR 53C700

NCR 53C710

NCR 53C90

This is the NCR 53C90 SCSI adapter shown. Listed below are the possible Interrupt Request Line (IRQ), Base I/O Address, Base Memory Address, and other jumper/switch configurations:

Need Doc's!!

Setup Choice for Windows NT 3.1

CR 53c9x

NCR 53C700

This is the NCR 53C700 SCSI adapter shown. Listed below are the possible Interrupt Request Line (IRQ), Base I/O Address, Base Memory Address, and other jumper/switch configurations:

Need Doc's!!

Setup Choice for Windows NT 3.1

CR 53c9x

NCR 53C710

This is the NCR 53C710 SCSI adapter shown. Listed below are the possible Interrupt Request Line (IRQ), Base I/O Address, Base Memory Address, and other jumper/switch configurations:

Need Doc's!!

Setup Choice for Windows NT 3.1

CR 53c9x

Olivetti

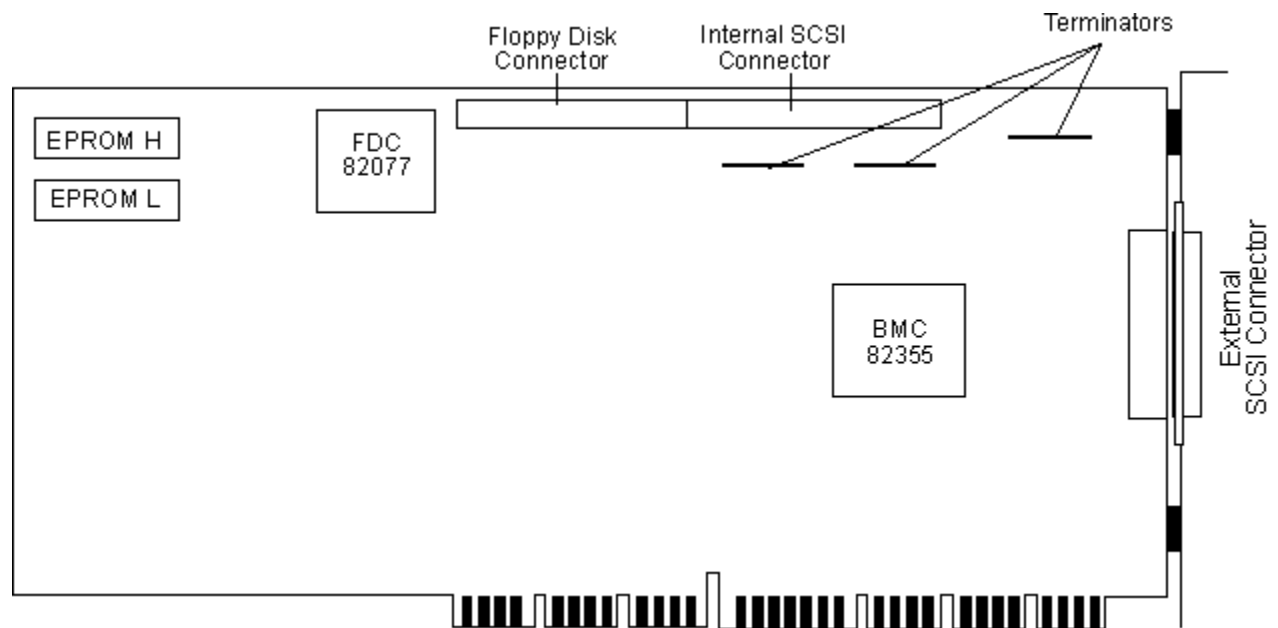
Windows NT Adapter help currently includes the following Olivetti SCSI cards:

Olivetti GO740 (ESC-1)

Olivetti GO579 (EFP-2)

Olivetti GO863 (ESC-2)

Olivetti GO740 (ESC-1)



Setup Choice for Windows NT 3.1

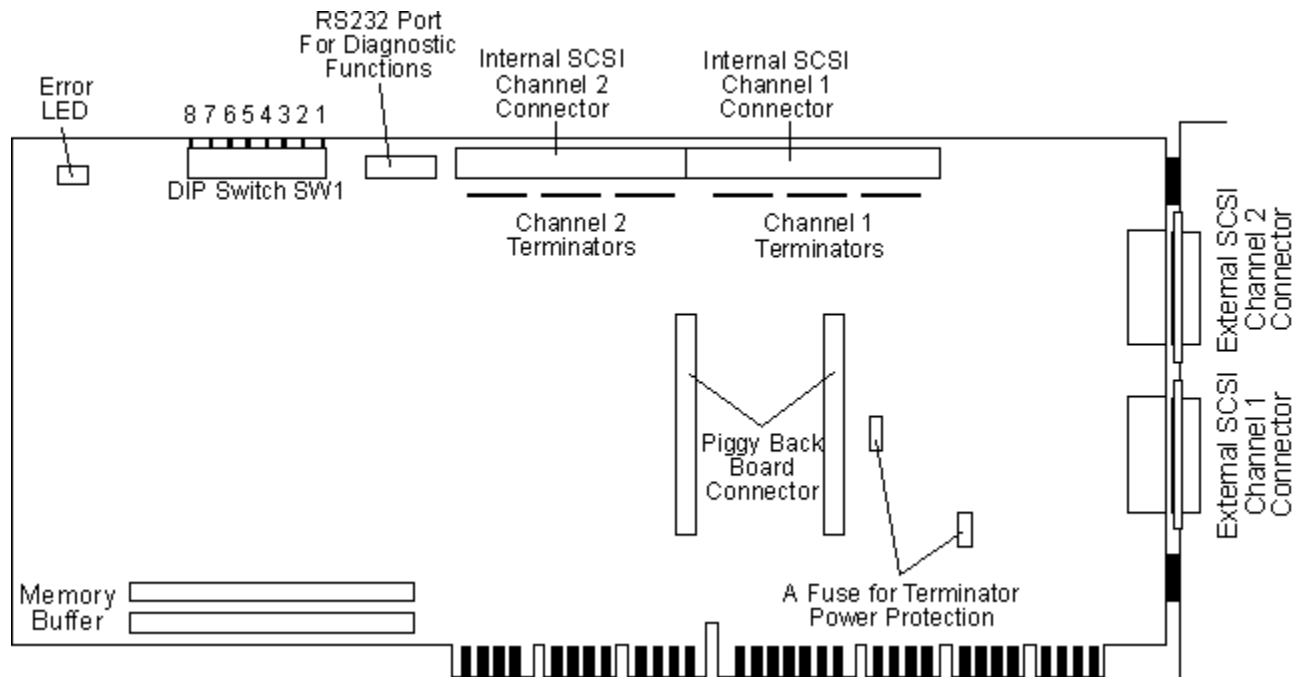
Olivetti ESC-1/ESC-2

Type of External SCSI Connector

Low Density Shielded

This card is software configurable with the EISA configuration Utility

Olivetti GO579 (EFP-2)



This is the Olivetti EFP-2 SCSI adapter shown. Listed below are the possible switch settings for the adapter:

Setup Choice for Windows NT 3.1

Olivetti ESC-1/ESC-2

Type of External SCSI Connector

High Density Shielded

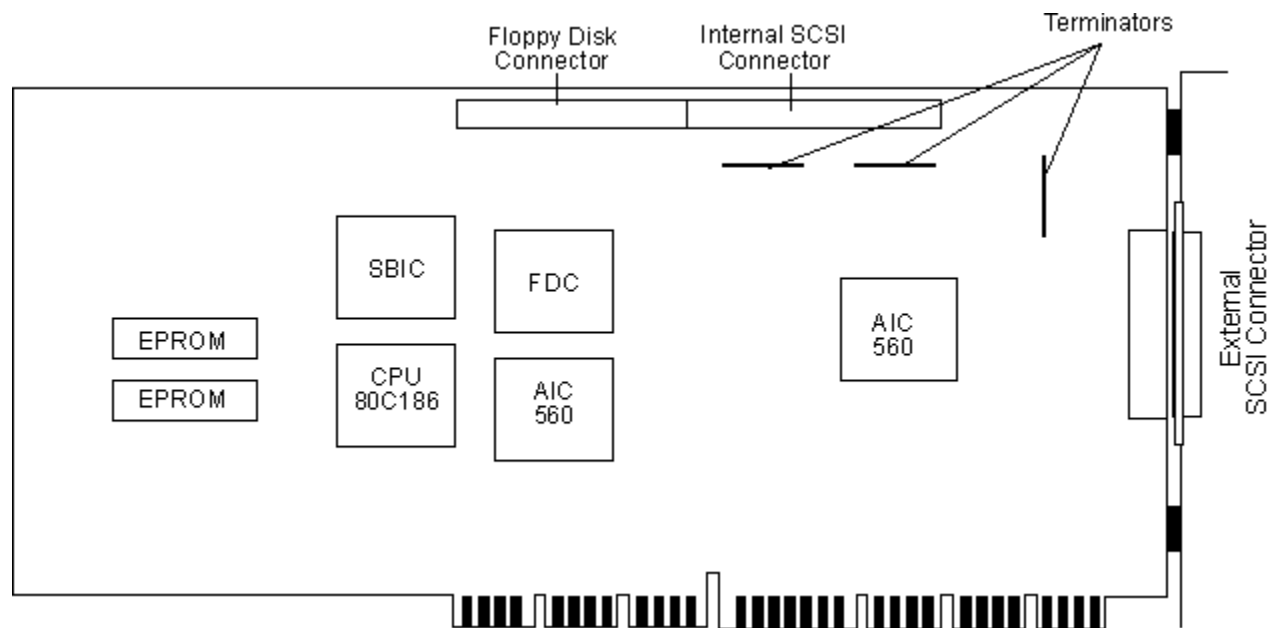
Note1: - This adapter is currently supported in its ESC-1/ESC-2 compatibility mode only.

Note2: - This adapter is a RAID controller which supports hard drives only.

SW1	S1	S2	S3	S4	S5	S6	S7	S8	Description
ON								OFF	SCSI channel 1 ID7 (for Mono Host)
OFF								OFF	SCSI channel 1 SCSI ID6 (for Dual Host)
ON								OFF	SCSI channel 2 ID7 (for Mono Host)
OFF								OFF	SCSI channel 2 ID6 (for Dual Host)
			ON	OFF	OFF			OFF	Channel 1 Single Mirroring 0 pairs
(no mirroring)			ON	ON	OFF			OFF	Channel 1 Single Mirroring 1 pair
			ON	OFF	ON			OFF	Channel 1 Single Mirroring 2 pairs
			ON	ON	ON			OFF	Channel 1 Single Mirroring 3 pairs
			ON			OFF	OFF	OFF	Channel 2 Single Mirroring 0 pairs
(no mirroring)			ON			ON	OFF	OFF	Channel 2 Single Mirroring 1 pair
			ON			OFF	ON	OFF	Channel 2 Single Mirroring 2 pairs

		ON			ON	ON	OFF	Channel 2 Single Mirroring 3 pairs
		OFF	ON	OFF	OFF	OFF	OFF	Dual Mirroring 1 pair
		OFF	OFF	ON	OFF	OFF	OFF	Dual Mirroring 2 paris
		OFF	ON	ON	OFF	OFF	OFF	Dual Mirroring 3 pairs
		OFF	OFF	OFF	ON	OFF	OFF	Dual Mirroring 4 pairs
		OFF	ON	OFF	ON	OFF	OFF	Dual Mirroring 5 pairs
		OFF	OFF	ON	ON	OFF	OFF	Dual Mirroring 6 pairs
X	X	X	X	X	X	X	ON	Diagnostic Mode
OFF	OFF	OFF	OFF	OFF	OFF	OFF	OFF	Configuration not allowed

Olivetti GO863 (ESC-2)



Setup Choice for Windows NT 3.1

Olivetti ESC-1/ESC-2

Type of External SCSI Connector

High Density Shielded

This card is software configurable with the EISA configuration Utility

UltraStor

Windows NT Adapter help currently includes the following UltraStor SCSI cards:

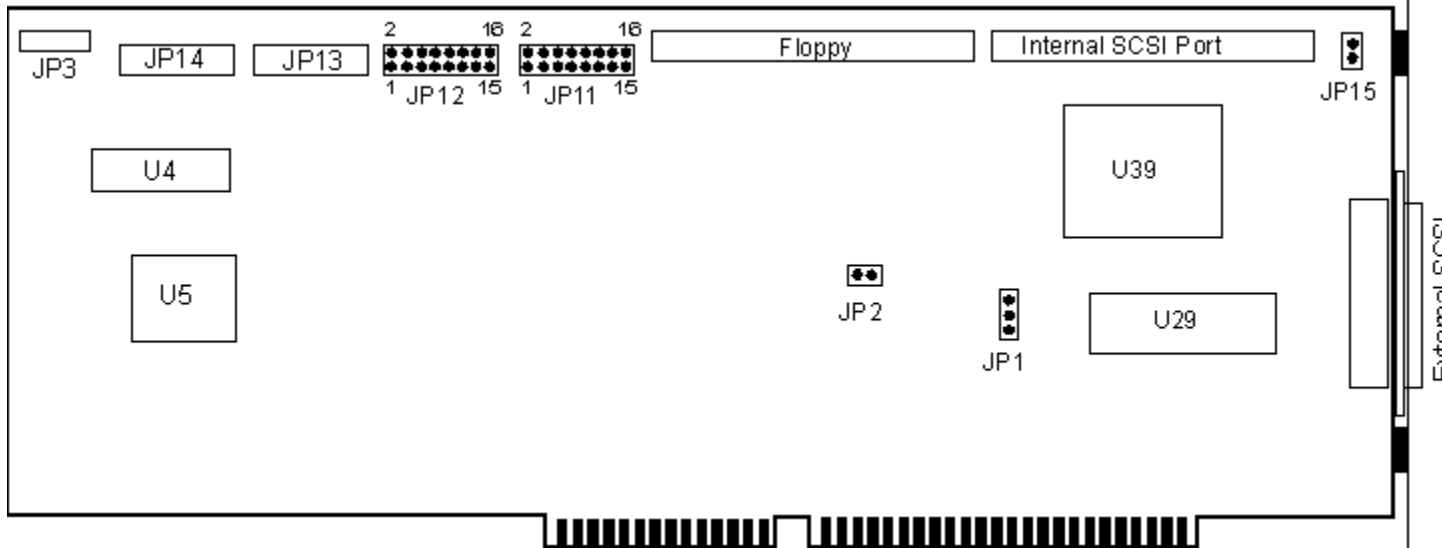
[UltraStor 14F](#)

[UltraStor 24F](#)

[UltraStor 34F](#)

[UltraStor Notes](#)

UltraStor 14F



This is the UltraStor 14F SCSI adapter shown. Listed below are the possible Interrupt Request Line (IRQ), Base I/O Address, Base Memory Address, and other jumper/switch configurations:

Setup Choice for Windows NT 3.1

UltraStor 14f, 34f

Type of External SCSI Connector

High Density Shielded

Note1: - Tested with firmware revision 005.

JP2

Floppy Control **Enable**/Disable

JP11 (JUMPER BLOCK 1)

DMA

CHANNEL	J1-2	J3-4
5	OFF	OFF
6	OFF	ON
7	ON	OFF
Reserved	ON	ON

IRQ J5-6 J7-8

10	ON	ON
11	ON	OFF
14	OFF	ON
15	OFF	OFF

J9-J10

RESERVED

BIOS

SEGMENT J11-12 J13-14 J15-16

Disable	OFF	OFF	OFF
C4000-C7FFF	OFF	OFF	ON
C8000-CBFFF	OFF	ON	OFF
CC000-CFFFF	OFF	ON	ON
D0000-D3FFF	ON	OFF	OFF
D4000-D7FFF	ON	OFF	ON
D8000-DBFFF	ON	ON	OFF
DC000-DFFFF	ON	ON	ON

JP12 (JUMPER BLOCK 2)

ISA TASK FILE

REGISTER ADDRESS	J1-2	J3-4
"1F0H-1F7H, 3F6-3F7"	OFF	OFF
"170H-177H, 376-377"	OFF	ON
Disable	ON	ON

NUMBER OF HARD DRIVES

2 (MAX) HD PER SYSTEM	J5-6
7 (MAX) HD PER HOST ADAPTER	OFF
	ON

HEAD MAPPING MODE

	J7-8	J9-10
16 HEAD; 63 SECTOR MAPPING	OFF	OFF
64 HEAD; 32 SECTOR MAPPING	OFF	ON
64 HEAD; 63 SECTOR MAPPING	ON	OFF
64 HEAD; 32 SECTOR MAPPING	ON	ON

SCSI

ID J11-12 J13-14 J15-16

0	OFF	OFF	OFF
1	OFF	OFF	ON
2	OFF	ON	OFF
3	OFF	ON	ON
4	ON	OFF	OFF
5	ON	OFF	ON
6	ON	ON	OFF
7	ON	ON	ON

JP13 (JUMPER BLOCK 3)

MOTOR SPIN

UP SEQUENCING	J1-2
DEVICE AUTO SPIN UP	OFF
SEQUENTIAL SPIN UP	ON

SYNC NEGOTIATION J3-4

HOST ADAPTER INITIATED	OFF
TARGET INITIATED	ON

J5-6

SCSI Parity **Enable**/Disable

J7-8

Reserved for SCSI Function

J9-10

Reserved for SCSI Function

THIRD FLOPPY

CABLE SELECTION	J11-12
DOUBLE TWISTED CABLE	OFF
SINGLE TWISTED CABLE	ON

FLOPPY

PORT CONTROL	J13-14
3F0H-3F7H	OFF
370H-377H	ON

J15-16

Reserved

JP14 (JUMPER BLOCK 4)**DMA**

TRANSFER SPEED	J1-2	J3-4
5.0 MB/SEC.	OFF	OFF
6.7 MB/SEC.	OFF	ON
8.0 MB/SEC.	ON	OFF
10.0 MB/SEC.	ON	ON

CMD

RECOVERY TIME	J5-6
150 NSEC	OFF
100 NSEC	ON

J7-8

Reserved

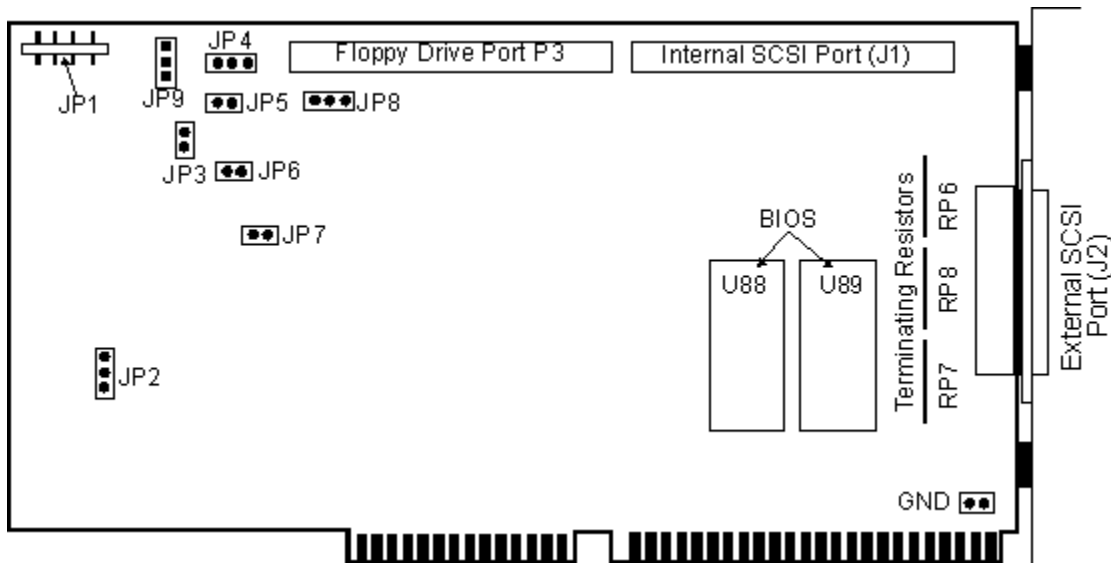
J9-10

Reserved

MAILBOX PORT

I/O BASE ADDRESS	J11-12	J13-14	J15-16
330H	OFF	OFF	OFF
340H	OFF	OFF	ON
310H	OFF	ON	OFF
230H	OFF	ON	ON
240H	ON	OFF	OFF
210H	ON	OFF	ON
130H	ON	ON	OFF
140H	ON	ON	ON

UltraStor 24F



This is the UltraStor 24F SCSI adapter shown. Listed below are the possible Interrupt Request Line (IRQ), Base I/O Address, Base, Memory Address, and other jumper/switch configurations:

Setup Choice for Windows NT 3.1

UltraStor 24f

Type of External SCSI Connector

High Density Shielded

Note1: - The UltraStor 24f support only a single disk when used with the Pioneer DRM-600 CD-ROM drive.

Note2: - Tested with firmware revision 008.

Note3: - These (tape) drives are not supported with the UltraStor 24f adapter.

Archive 2150/2250

Exabyte EXB-8200

Exabyte EXB-8200ST

Note4: - The Adaptec AHA-1640 and UltraStor 24f support only a single disk when used with the Pioneer DRM-600 CD-ROM drive.

JP7

FLOPPY ENABLE/DISABLE (ON/OFF)

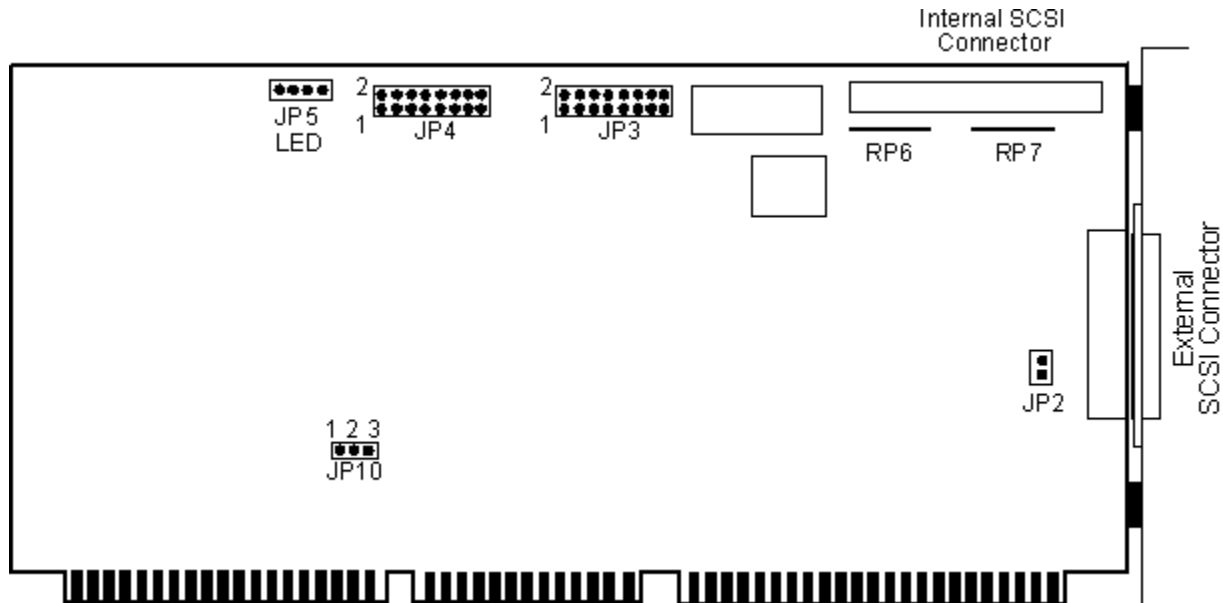
The rest of this SCSI interface cards' settings can be configured using the software supplied by the manufacturer. Please consult the documentation that came with your SCSI interface card or contact the manufacturer of the SCSI interface card for further information.

Interrupt Request Line (IRQ)

Default - IRQ14

Base Memory Address
Default - C8000h

UltraStor 34F



This is the UltraStor 34F SCSI adapter shown. Listed below are the possible Interrupt Request Line (IRQ), Base I/O Address, Base Memory Address, and other jumper/switch configurations:

Setup Choice for Windows NT 3.1

UltraStor 14f, 34f

Type of External SCSI Connector

High Density Shielded

JP3 (JUMPER BLOCK 1)

MOTOR SPIN UP SEQUENCING	J1-2
DEVICE AUTO SPIN UP	OFF
SEQUENTIAL SPIN UP	ON

SYNC NEGOTIATION	J3-4
HOST ADAPTER INITIATED	OFF
TARGET INITIATED	ON

IRQ	J5-6	J7-8
10	ON	ON
11	ON	OFF
14	OFF	ON
15	OFF	OFF

J9-10 SCSI Parity *Enable*/Disable

BIOS

SEGMENT	J11-12	J13-14	J15-16
DISABLE	OFF	OFF	OFF
C4000-C7FFF	OFF	OFF	ON

C8000-CBFFF	OFF	ON	OFF
CC000-CFFFF	OFF	ON	ON
D0000-D3FFF	ON	OFF	OFF
D4000-D7FFF	ON	OFF	ON
D8000-DBFFF	ON	ON	OFF
DC000-DFFFF	ON	ON	ON

JP4 (JUMPER BLOCK 2)

MAILBOX PORT

I/O BASE ADDRESS	J1-2	J3-4
330H	OFF	OFF
340H	OFF	ON
230H	ON	OFF
130H	ON	ON

NUMBER OF HARD DRIVES	J5-6
2 (MAX) HD PER SYSTEM	OFF
7 (MAX) HD PER HOST ADAPTER	ON

HEAD MAPPING MODE	J7-8	J9-10
16 HEAD; 63 SECTOR MAPPING	OFF	OFF
64 HEAD; 32 SECTOR MAPPING	OFF	ON
64 HEAD; 63 SECTOR MAPPING	ON	OFF
64 HEAD; 32 SECTOR MAPPING	ON	ON

SCSI

ID	J11-12	J13-14	J15-16
0	OFF	OFF	OFF
1	OFF	OFF	ON
2	OFF	ON	OFF
3	OFF	ON	ON
4	ON	OFF	OFF
5	ON	OFF	ON
6	ON	ON	OFF
7	ON	ON	ON

UltraStor Notes

If you experience a problem in tape functionality with a supported 4mm DAT Tape Device and an UltraStor 14F or 24F controller, contact UltraStor for an upgrade to resolve this.

Windows NT may stop running on systems that use UltraStor's U34F Local Bus controller with the Micronics Gemini 486 VESA Local Bus motherboard. Some older Gateway systems include this combination of hardware.

The problem is a timing issue that only appears with Windows NT, the UltraStor U34F, and the Micronics Gemini 486 VESA Local Bus motherboard. Disabling the motherboard's external cache should allow Windows NT to run. The problem does not occur with ISA bus controllers from UltraStor. This problem does not occur on Gateway 2000 or Micronics VESA Local Bus motherboards with a blue OverDrive socket.

If you encounter this problem, you can resolve it by an upgrade offered by Micronics for the Gemini 486 VESA Local Bus motherboard. The motherboard will need to be returned to Micronics for an upgrade. The Micronics reference number for this is VLBA03. Micronics can be reached at 510-651-2300 for additional information. If you have a Gateway computer, contact Gateway 2000 at 800-846-2301 for upgrade information. The UltraStor 124 adapter is compatible with removable media drives, but does not allow the user to remove and replace media. For this reason, Windows NT does not support removable media drives when used with this controller. The combination of the UltraStor 14F and DEC Talk Speech Synthesizer Card can cause Windows NT Setup to fail due to an I/O port conflict. Possible solutions to this problem might be to set the DEC I/O to 350, or delete the file ULTRA14F.SYS from the boot floppy while leaving the DEC card at default settings.

Trantor

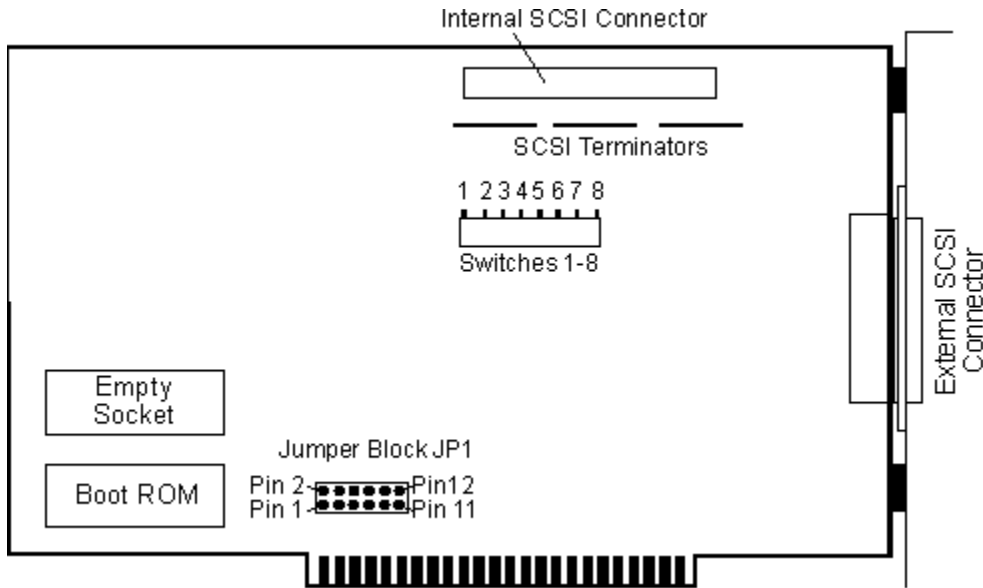
Windows NT Adapter help currently includes the following Trantor SCSI cards:

[Trantor T128](#)

[Trantor T130B](#)

[Trantor Notes](#)

Trantor T128



This is the Trantor T128 SCSI adapter shown. Listed below are the possible Interrupt Request Line (IRQ), Base I/O Address, Base Memory Address, and other jumper/switch configurations:

Setup Choice for Windows NT 3.1

Trantor T128

Type of External SCSI Connector

25-Pin "Normal"

Note1: - To use this adapter, at least one device on the bus must provide termination power.

Note2: - Refer to SETUP.TXT for information on configuring this adapter.

Note3: - This adapter is only supported on IRQ-5.

SW1 Reserved
SW2 Reserved
SW3 Reserved
SW4 Reserved

BOOT ROM SW5
 Enable ON
Disable OFF

ZERO WAIT STATE SW6
 Enable ON
Disable OFF

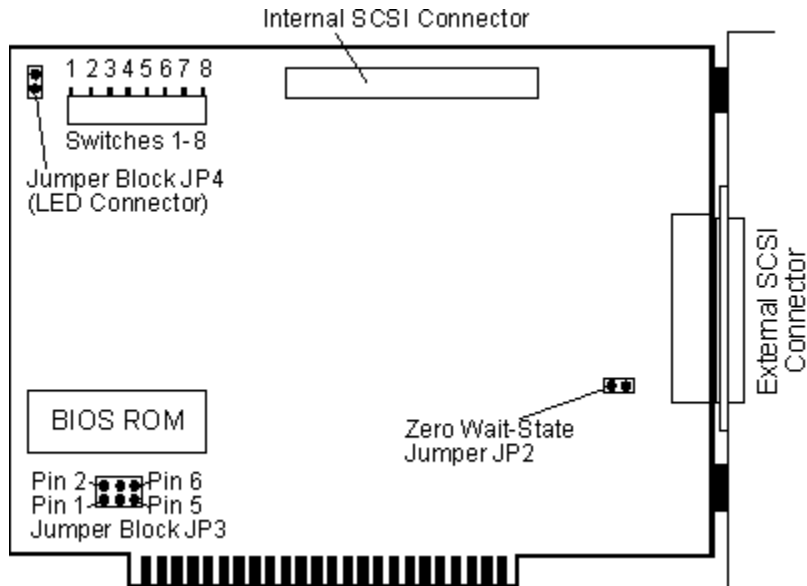
MEMORY ADDRESS SW7 SW8

CC00H		OFF	OFF
C800H	OFF	ON	
DC00H	ON	OFF	
D800H	ON	ON	

JUMPER BLOCK JP1

IRQ	PINS 1 & 3	PINS 2 & 4	PINS 3 & 5
3	OFF	ON	OFF
5	ON	OFF	OFF
7	OFF	OFF	ON

Trantor T130B



This is the Trantor T130B SCSI adapter shown. Listed below are the possible Interrupt Request Line (IRQ), Base I/O Address, Base Memory Address, and other jumper/switch configurations:

Setup Choice for Windows NT 3.1

Trantor T130b

Type of External SCSI Connector

25-Pin "Normal"

Note1: - This adapter is only supported on IRQ-5.

Note2: - To use this adapter, at least one device on the bus must provide termination power.

I/O

ADDRESS	SW1	SW2
350H	OFF	OFF
340H	OFF	ON
250H	ON	OFF
240H	ON	ON

BIOS ROM

ADDRESS	SW3	SW4	SW5
Disabled	OFF	OFF	OFF
CA000H	OFF	OFF	ON
CE000H	OFF	ON	OFF
DA000H	OFF	ON	ON
DE000H	ON	OFF	OFF
Reserved	ON	OFF	ON
Reserved	ON	ON	OFF
Reserved	ON	ON	ON

BOOT ROM SW6
Enable OFF
Disable ON

SW7 Reserved (Should be OFF)
SW8 Reserved (Should be OFF)

JUMPER BLOCKS

ZERO
WAIT STATE JP2
Enable ON
Disable OFF

JP3

IRQ	PINS 1-2	PINS 3-4	PINS 5-6
NONE	OFF	OFF	OFF
3	ON	OFF	OFF
5	OFF	ON	OFF
7	OFF	OFF	ON

Note - Jumper block jp4 is used for the led activity light on the hard disk

Trantor Notes

The Windows NT driver that supports the Trantor T-128 and T-130B adapters assumes operation on IRQ 5. If the adapter is set for another interrupt, the Trantor driver will continue to work, but in a polling fashion that may slow down operation of the system. Further, the Trantor driver will register to the system claiming the use of IRQ 5 and this may disrupt operation of another device that is actually configured for IRQ 5. If you are using one of the above mentioned Trantor adapters, please complete the Windows NT installation normally, then change the IRQ information for the driver in the registry. If the IRQ is incorrect, the driver will log an event view able in the Event Viewer Administrative Tool.

In addition, these adapters are SCSI-termination sensitive. If Windows NT hangs upon booting, or if Windows NT Setup cannot find devices attached to a Trantor adapter, verify that the SCSI termination occurred and that one of the SCSI devices attached to the Trantor adapter is providing termination power.

The Trantor T228 MCA SCSI adapter is not supported on the IBM PS/2 Model 95.

Creative Labs

Windows NT Adapter help currently includes the following Creative Labs sound cards:

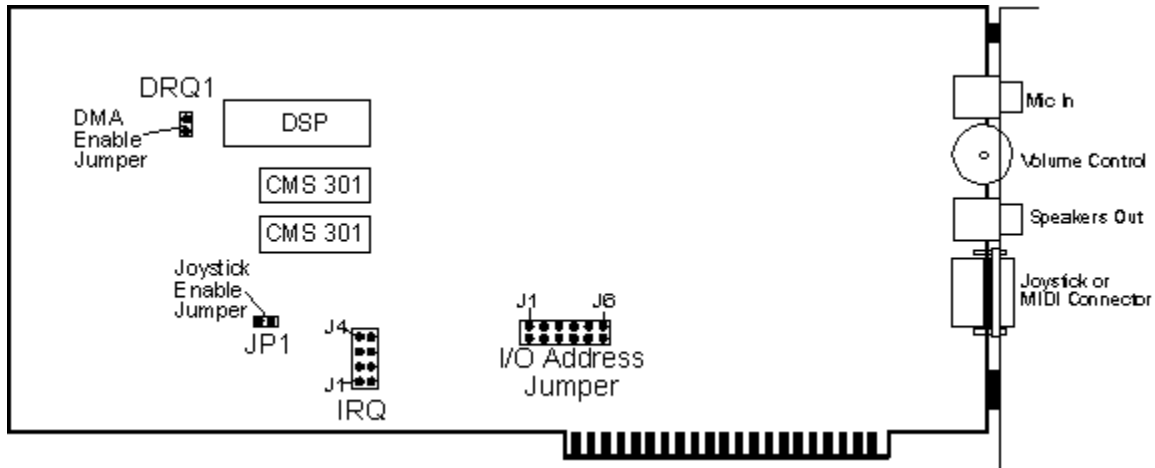
Note: Multiple sound cards are not currently supported under Windows NT. Having more than one sound card in your machine, even if no drivers for them are loaded, can cause problems. Note that internal sound on certain machines counts as a sound card.

[Sound Blaster](#)

[Sound Blaster Pro](#)

[Creative Labs Notes](#)

Sound Blaster



This is the Sound Blaster adapter shown. Listed below are the possible Interrupt Request Line (IRQ), Base I/O Address, Base, Memory Address, and other jumper/switch configurations:

Setup Choice for Windows NT 3.1

Creative Labs Sound Blaster 1.X

DRQ1 DMA enable jumper. Default is on which is DMA Channel 1

JP1 Joystick enable jumper. Default is on which is enabled.

IRQ

	J1	J2	J3	J4
2	ON	OFF	OFF	OFF
3	OFF	ON	OFF	OFF
5	OFF	OFF	ON	OFF
7	OFF	OFF	OFF	ON

I/O ADDRESS

	J1	J2	J3	J4	J5	J6
210H	ON	OFF	OFF	OFF	OFF	OFF
220H	OFF	ON	OFF	OFF	OFF	OFF
230H	OFF	OFF	ON	OFF	OFF	OFF
240H	OFF	OFF	OFF	ON	OFF	OFF
250H	OFF	OFF	OFF	OFF	ON	OFF
260H	OFF	OFF	OFF	OFF	OFF	ON

Creative Labs Notes

If your Sound Blaster card does not operate correctly, you may need to install the Creative Labs driver supplied on the Windows NT Setup CD. However, there are some 486 systems and some chip sets that are not fully compatible with the SoundBlaster/AudioPro card.

There may be an IRQ conflict with another device. Either change the IRQ setting on the other device or on the sound card. The default settings for the sound card are DMA 1, IRQ 7 and port 220h (Note: LPT1 also uses IRQ 7). Try physically changing the SoundBlaster to IRQ 2 and then using the Control Panel to re-configure the Creative Labs Sound Blaster 1.X driver to IRQ 2.

The Windows NT Sound Blaster driver does not support shared DMA channels on the SoundBlaster Pro card. On this card, jumper 11 needs to be on pins 1 & 2 which is Non-Shared DMA.

If you can play .WAV files but not .MID files, then you need to install the AD-LIB MIDI driver. You can install this driver from the Drivers application in Control Panel.

To install and configure a Sound Blaster driver

1. Start Windows NT and log on with Administrator rights.
2. Run Control Panel, and then double-click the Drivers icon.
3. In the Drivers dialog box, choose the Add button.
4. In the Add Driver dialog box, select Creative Labs Sound Blaster 1.x, and then choose the OK button.
5. In the configuration dialog box, select the correct port and interrupt number. The typical default setting for the interrupt number is IRQ 7, and the port setting is usually 220. However, you might need to change these settings on your card to avoid conflicts with other hardware on your computer. For example, if your computer has an LPT1 port, you cannot use your Sound Blaster card on IRQ 7.
6. When the message asks if you want to restart your computer, choose Restart Now.

Media Vision

Windows NT Adapter help currently includes the following Media Vision sound cards:

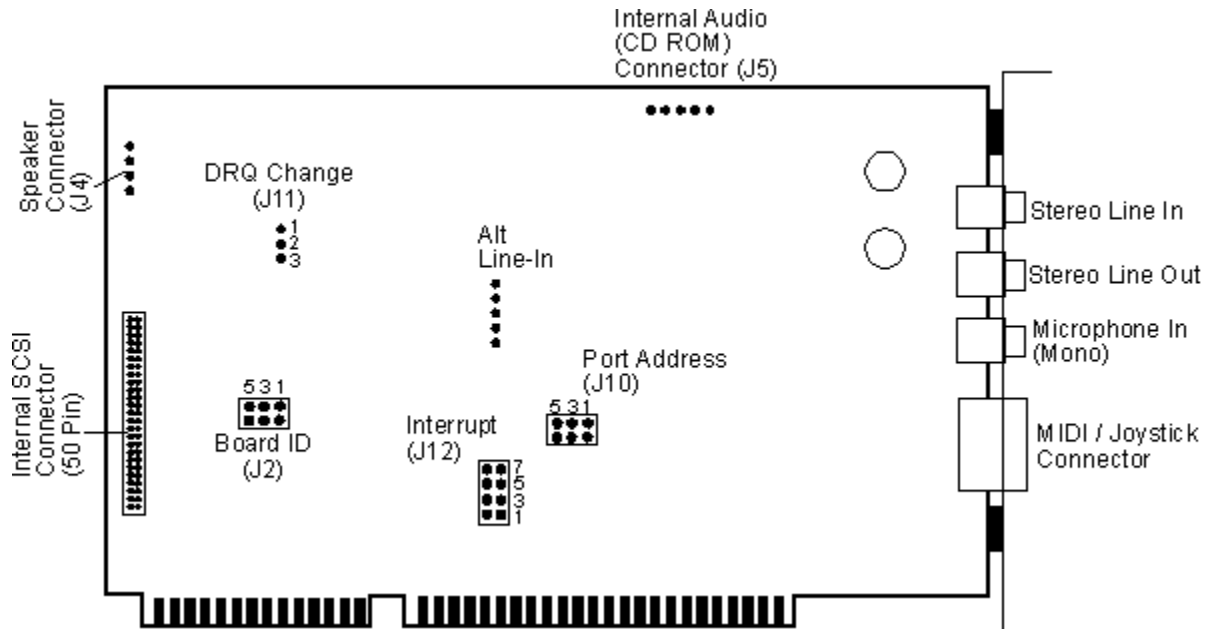
Note: Multiple sound cards are not currently supported under Windows NT. Having more than one sound card in your machine, even if no drivers for them are loaded, can cause problems. Note that internal sound on certain machines counts as a sound card.

[Pro AudioSpectrum-16](#)

[Thunder Board](#)

[Media Vision Notes](#)

Pro AudioSpectrum-16



This is the Pro AudioSpectrum-16 adapter shown. Listed below are the possible Interrupt Request Line (IRQ), Base I/O Address, Base, Memory Address, and other jumper/switch configurations:

The MediaVision Pro Audio Spectrum 16 sound card has two modes: Pro Audio Spectrum and SoundBlaster compatibility. The settings for the Pro Audio Spectrum mode are software configurable. The settings for the SoundBlaster compatibility mode are controlled by the following jumpers.

Setup Choice for Windows NT 3.1

Media Vision ProAudio Spectrum 16

I/O ADDRESS (J10)

	Pin 1	Pin 2	Pin 3	Pin 4	Pin 5	Pin 6
220H	ON	ON	OFF	OFF	OFF	OFF
230H	OFF	OFF	ON	ON	OFF	OFF
240H	OFF	OFF	OFF	OFF	ON	ON

BOARD ID (J2)

	Pin 1	Pin 2	Pin 3	Pin 4	Pin 5	Pin 6
0	OFF	OFF	OFF	OFF	N/A	N/A
1	ON	ON	OFF	OFF	N/A	N/A
2	OFF	OFF	ON	ON	N/A	N/A
3	ON	ON	ON	ON	N/A	N/A
4	N/A	N/A	N/A	N/A	ON	ON

IRQ (J12)

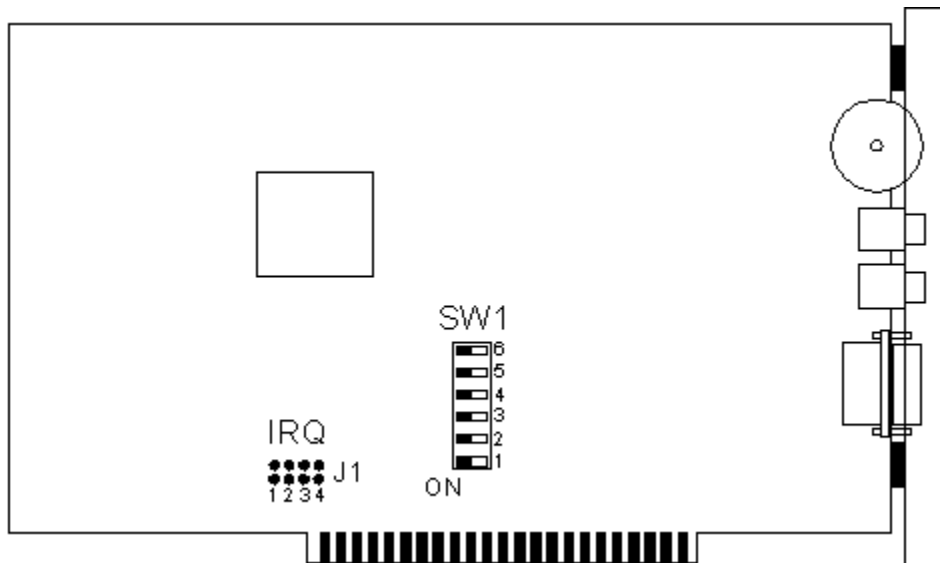
	Pin 1	Pin 2	Pin 3	Pin 4	Pin 5	Pin 6	Pin 7	Pin 8
7	ON	ON	OFF	OFF	OFF	OFF	OFF	OFF
5	OFF	OFF	ON	ON	OFF	OFF	OFF	OFF
3	OFF	OFF	OFF	OFF	ON	ON	OFF	OFF

2 OFF OFF OFF OFF OFF OFF ON ON

DRQ (J11)

	Pin 1	Pin 2	Pin 3
Do not Allow DMA Sharing	ON	ON	OFF
<i>Allow DMA sharing</i>	<i>OFF</i>	<i>ON</i>	<i>ON</i>

Thunder Board



This is the Media Vision Thunder adapter shown. Listed below are the possible Interrupt Request Line (IRQ), Base I/O Address, Base, Memory Address, and other jumper/switch configurations:

Setup Choice for Windows NT 3.1

Media Vision Thunder Board

SW1

PORT ADDRESS

	S1	S2	S3
\$210-\$21F	OFF	ON	ON
\$220-\$22F	ON	OFF	ON
\$230-\$23F	OFF	OFF	ON
\$240-\$24F	ON	ON	OFF
\$250-\$25F	OFF	ON	OFF
\$260-\$26F	ON	OFF	OFF

S4 FM ON/OFF

S5 JOYSTICK ON/OFF

S6 ADC ON/OFF DO NOT SET TO OFF

IRQ (J1)

	PIN 1	PIN 2	PIN 3	PIN 4
2	ON	OFF	OFF	OFF
3	OFF	ON	OFF	OFF
5	OFF	OFF	ON	OFF
7	OFF	OFF	OFF	ON

Media Vision Notes

Pro Audio Spectrum 16

The Pro Audio Spectrum 16 includes an option for Sound Blaster emulation. This emulation is not supported by Windows NT. When installing the Pro Audio Spectrum 16, do not use the same interrupt value as that option. Using the same interrupt may cause unpredictable system behavior.

On earlier cards the default for this interrupt is 5 and can be jumpered to be 2, 3, 5, or 7. On later cards without jumpers the default is usually 7. Please check the documentation for the card before installing it under Windows NT.

If you do not use the Sound Blaster emulation under MS-DOS or Windows 3.1 you should disable it. For more information, see "Changing I/O Address for Sound Blaster Compatibility" in Appendix A of the Pro Audio Spectrum 16 User Guide.

To install and configure the Pro Audio Spectrum 16, follow the steps above for installing the Sound Blaster.

Microsoft

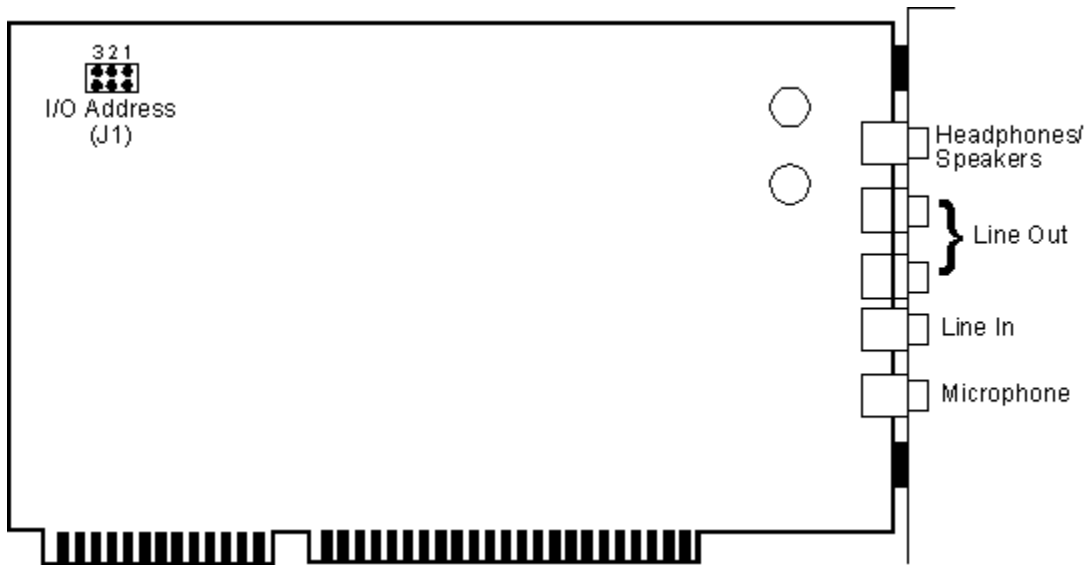
Windows NT Adapter help currently includes the following Microsoft sound cards:

Note: Multiple sound cards are not currently supported under Windows NT. Having more than one sound card in your machine, even if no drivers for them are loaded, can cause problems. Note that internal sound on certain machines counts as a sound card.

[Windows Sound System](#)

[Windows Sound System Notes](#)

Windows Sound System



This is the Microsoft Windows Sound System adapter shown. Listed below are the possible Interrupt Request Line (IRQ), Base I/O Address, Base, Memory Address, and other jumper/switch configurations:

Setup Choice for Windows NT 3.1

Windows Sound System

I/O ADDRESS

	PIN1-2		PIN2-3		PIN3-4	PIN4-5
530	OFF	ON	OFF	ON		
604	ON	OFF	ON	OFF		
E80	OFF	OFF	OFF	ON		
F40	OFF	ON	ON	OFF		

All other settings are set by software.

Windows Sound System Notes

Windows NT supports the Windows Sound System and the utilities Sound Finder (SNDFINDR.EXE) and Music Box (MUSICBOX.EXE). In addition, Windows NT includes versions of Sound Recorder and Volume Control in the Accessories Group in Program Manager.

Windows NT does not support the following utilities that are included in the Windows Sound System: Quick Recorder (QRECORD.EXE), Voice Pilot (VOICEPIL.EXE), Sound Recorder (SNDREC.EXE), Volume Control (SNDVOL.EXE) and WSETUP.EXE.

To install and configure the Windows Sound System driver

1. Start Windows NT and log on with Administrator rights.
2. Run Control Panel, and then double-click the Drivers icon.
3. In the Drivers dialog box, choose the Add button.
4. In the Add Driver dialog box, select Windows Sound System, and then choose the OK button.
5. Insert the Windows NT Setup CD-ROM or the appropriate floppy disk in drive A.
6. Accept the default configuration settings suggested by Windows NT. Note that this will depend upon your actual hardware settings, and may be improperly detected in rare circumstances.
7. When the message asks if you want to restart your computer, choose Restart Now.

