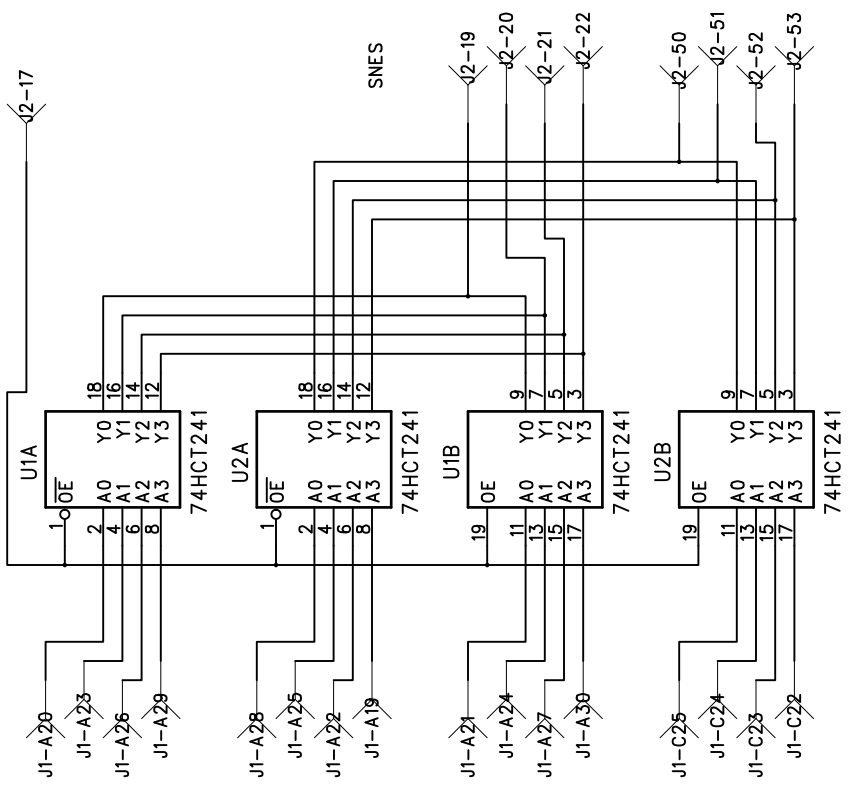


REVISION RECORD			
LTR	ECO NO:	APPROVED:	DATE:



SEGA

COMPANY: _____

TITLE: _____

CODE:	SIZE:	DRAWING NO:	REV:

SCALE: _____ SHEET: _____ OF _____

DRAWN:	DATED:
CHECKED:	DATED:
QUALITY CONTROL:	DATED:
RELEASED:	DATED: