

210 MOUNTAIN STREET
HALIBURTON, ONTARIO K0M 1S0
CANADA

R/D COMPUTING NEWSLETTER

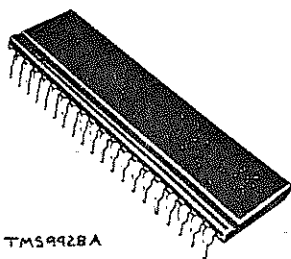
VIDEO UPGRADE II

by Steve Schmitt

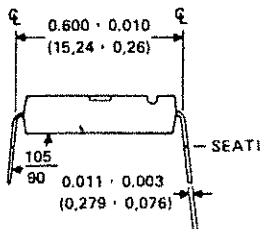
I find fuzzy characters to be very distracting and have found a way to greatly improve the quality of the video signal and even add RGB capabilities to the TI99.

The TI99 was designed to use two different video processors, the TMS9918A or the TMS9928A. Both chips are identical except for the video output. The TMS9918A has a composite video output while the TMS9928 has three color difference outputs. While color difference outputs normally cannot be connected to a monitor, I have seen monitors for sale at very low prices (\$120 for a 19" set), but even more interesting is that high quality monochrome sets are available in the range of \$15 to \$50.

RAS	1	40	XTAL2
CAS	2	39	XTAL1
AD7	3	38	R-Y
AD6	4	37	GROMCLK
AD5	5	36	Y
AD4	6	35	B-Y
AD3	7	34	RESET/SYNC
AD2	8	33	VCC
AD1	9	32	RD0
AD0	10	31	RD1
R/W	11	30	RD2
VSS	12	29	RD3
MODE	13	28	RD4
CSW	14	27	RD5
CSR	15	26	RD6
INT	16	25	RD7
CD7	17	24	CD0
CD6	18	23	CD1
CD5	19	22	CD2
CD4	20	21	CD3



TMS9928A



One of the outputs of the TMS9928 is the luminescence signal which is just a fancy name for a black and white composite video signal. When the TMS9928 is substituted for the TMS9918A, the console becomes a monochrome computer with a bandwidth of about 15MHZ. This gives excellent resolution with low cost green screen



* TI 99/4 SECRETS AND CURIOSITIES *
* >>>>>>>>>by Bill Gronos>>>>>>>>> *

BRUSH THE COBWEBS OFF YOUR CASSETTE PORT AND SEE SOUND IN SIXTEEN COLORS

This month I've got a program that is going to make your eyes pop. It's the closest thing to an LSD trip that your 99/4 can produce.

If you read my previous article, you'll remember that I gave you three simple assembly language programs to take music input through the cassette port and display it graphically on the screen. Travis Holland in Austin, Texas writes, "Widgeon has been playing his Spike Jones tapes with #1, and is ready for different colors for different frequencies". I think Widgeon is going to be very pleased after he types in this month's two programs - Unless he happens to be epileptic. If he is, you'd better have a stick handy, Travis, to put in his mouth when he runs the second program.

The second program is so fantastic it makes me want to add my computer and video monitor to my sound system as a permanent fixture. If you were fortunate enough to start out with a disk drive (unlike myself who labored
goto7

R/D COMPUTING-1986

sets. Even with color or B/W TV's the picture quality is improved as there are no color signals present to distort the output. On my green screen set (which is the guts out of an old TI terminal), I can see every pixel and text is very sharp - as the monitor was intended for 80 column use.

For those who want high resolution color, a fairly simple converter can be made by adding three op amps to produce RGB or with an LM1889 a color composite video signal can be generated. I am working on a small circuit board which will be switchable between the black and white output or a color output. I have the TI application sheet for the TMS9928A and it shows the circuits needed to generate the various outputs. I would like to share this information with anyone who wants to interface their TI99 to an RGB monitor.

Installing the TMS9928 is about as simple as any hardware project can be. The TI99 console was designed for simple assembly or disassembly to keep manufacturing costs low - which makes the job easier. Also, the video processor is in a socket so no rework is needed on the main board. Simply disassemble the console and swap the two video processors; being sure to get the notch on the chip in the correct orientation. Spread a little heat sink compound on the top surface of the chip. The correct pins on the chip are already wired to the video connector, so the modulator will still operate correctly. Any monitor cable can be used to connect it to a monochrome set.

The only hard part of this project is finding a source of the TMS9928A. In one year of searching I have found only one source and they are a wholesaler with a minimum order of 20 parts. I am now the proud owner of 19 extra video processors. I will supply this part along with an LM1889 and instructions for \$12.00.

If you have two consoles, it is well worth modifying one for text work and using the other for games. In fact, I find that many games are better in monochrome because I can see the smaller details.

Texas Instruments clearly states that the TMS9918 gives color distortion which cannot be corrected by using external circuits. Only the TMS9928 will give distortion free RGB. To illustrate the color distortion the following program will put vertical bars on the screen:

```
10 CALL CLEAR
20 CALL CHAR(32,RPT#("A",16))
30 GOTO 30
```

The result will be anything but vertical bars. Now swap the TMS9928 for the TMS9918 and repeat the experiment. With a monochrome monitor the vertical bars will be very clear and even on color sets the bars will be visible (no color of course because only the Y signal is used in a simple swap).

1. For monochrome use ONLY, just replace the TMS9918A with the TMS9928A. No other changes are needed.

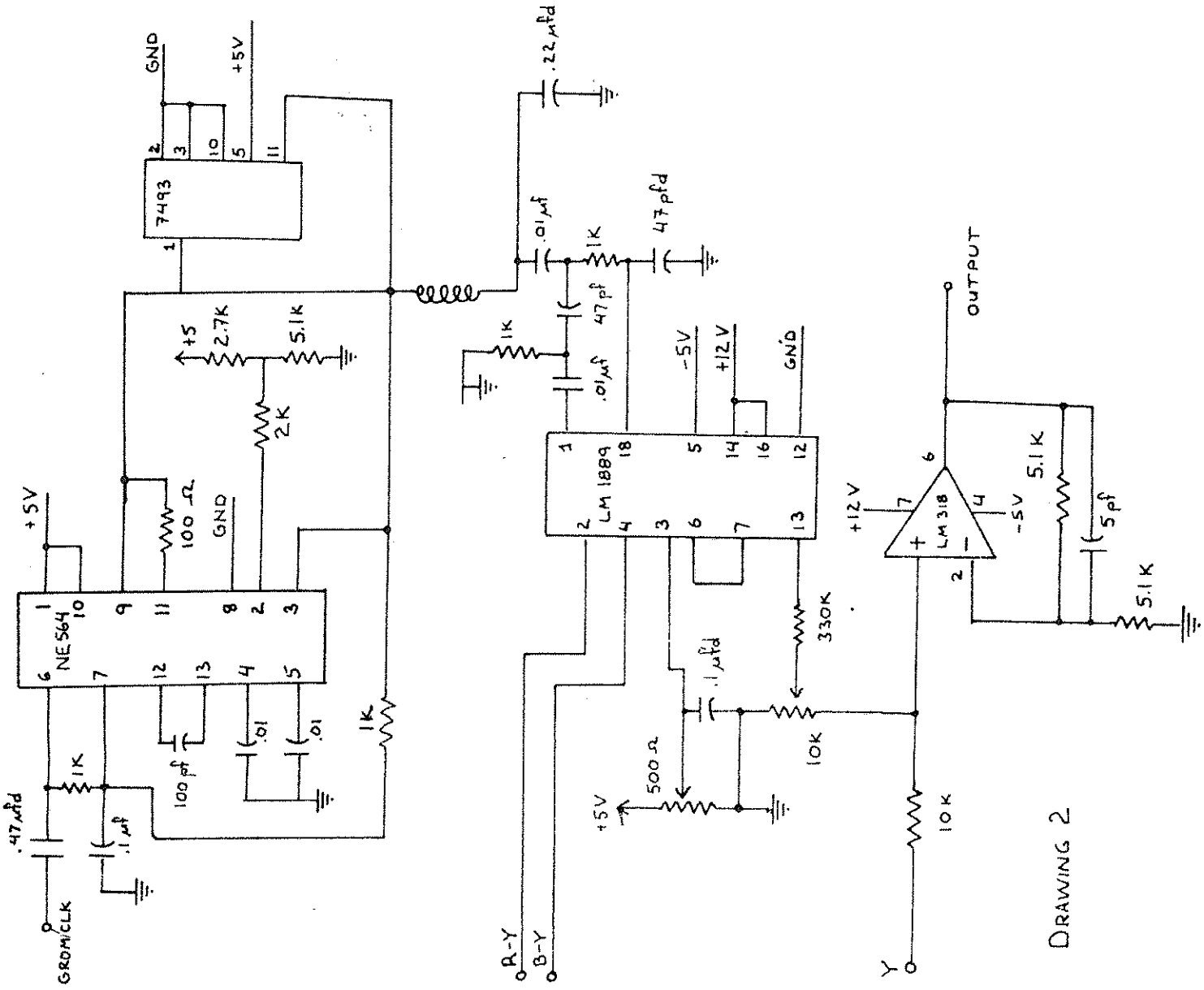
2. For color output refer to the TI99/4A video circuit. Pins 2 and 5 of J201 are normally connected to ground via jumper W202 & W204. Remove jumpers W202 & W204 and install jumpers W201 & W203. Resistors R210 & R211 must be installed.

After these modifications pins 2 and 5 of J201 will no longer be grounded and the video modulator cannot be used. Pin 2 is used as the ground return for the +12V and pin 5 is the shield ground. A new cable must be made as all patch cables will use pins 2 & 5 as ground. Radio Shack sell the 5 pin DIM plugs.

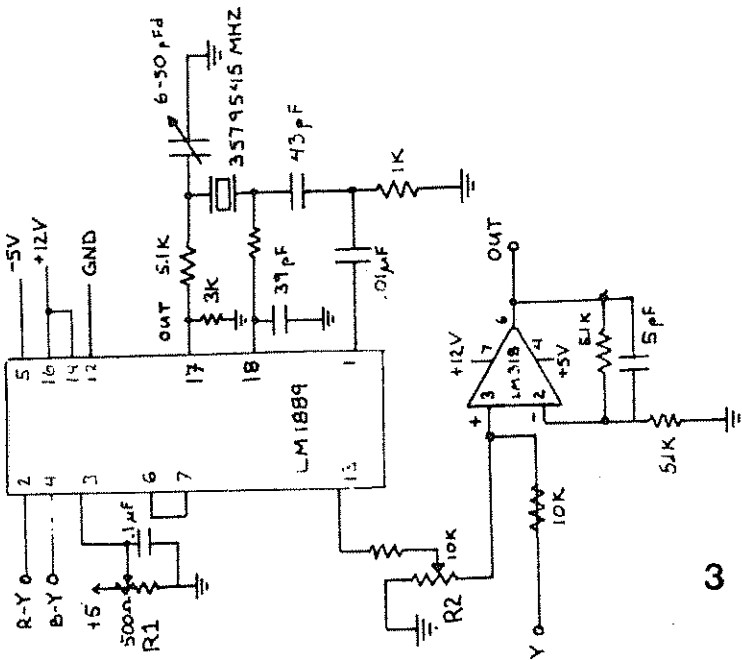
Use the outside shell for all the shield grounds. Use either shielded cable or twisted pairs.

Drawing 1 is a circuit that I used to generate both monochrome and color composite video. R2 controls the color level; when turned all the way off only the Y signal output is generated for monochrome. For color, R2 is turned up until a reasonable color level is obtained. R1 sets the D.C. level of the R - Y and B - Y inputs. No D.C. restoration circuits are needed.

This circuit uses +12V & +5V and can be driven by a Coleco power supply available from Radio Shack or American Design Components. The LM318 is



DRAWING 2



DRAWING 1

RAVE  99

NEW
PRODUCT

KEYBOARD ENHANCEMENT

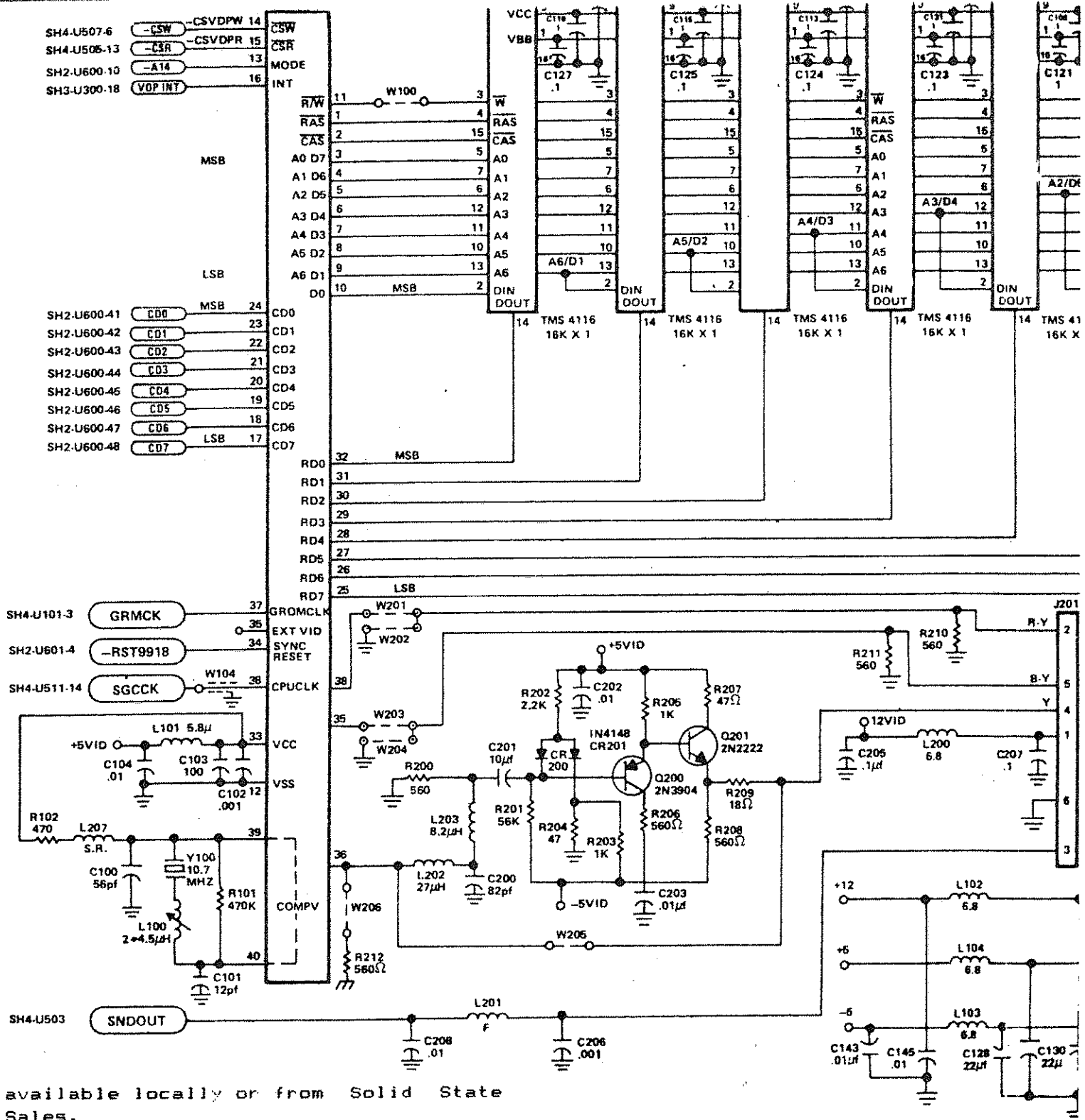
RAVE 99 COMPANY - 23 FLORENCE RD. - BLOOMFIELD, CT. 06002

The RAVE 99 Co. is proud to introduce the upcoming availability of the first production keyboard enhancement for the TI-99/4A computer. RAVE 99 will initially offer two models, both sharing the following features:

- * Standard key layouts which eliminate the awkward two key inputs for 1) cursor control 2) the function strip (FUNCTION 1-10) 3) "keyfront keys" such as ",?,\ and [.
- * Alpha Lock function which does not interfere with joystick operation on any version of the TI-99.
- * COMPATIBILITY - Works with ALL systems. NO P.E. BOX REQUIRED! RAVE 99 keyboards are compatible with all software up to two simultaneous keystrokes with the FUNCTION, CONTROL, and SHIFT keys.
- * Numeric keypad with separate ENTER key and numeric operators.
- * High quality keyboards with coiled cords for connection to the computer console. This allows for flexibility in console placement to free up your workspace from annoying cables. This also allows the freedom to move the keyboard without fear of problems with the side cable connector.
- * One key entry of word processing commands such as TAB, BACK TAB, DELETE, BACKSPACE, and HOME when using TI-WRITER.
- * Unique key codes returned from software, not obtainable from the standard keyboard: These can be used by programmers without interfering with any other software key calls.
- * Easy to install keyboard interface which installs in place of the standard keyboard in the computer console. NO SOLDERING REQUIRED. The interface also has provisions for user upgrade to include SYSTEM RESET and LOAD INTERRUPT capability from the keyboard. The manual contains complete instructions.

FOR MORE INFORMATION CONTACT RAVE 99 Co. AFTER 6PM EASTERN TIME
ASK FOR RICK (203) 242-4012 OR JOHN (203) 872-9272

R/D COMPUTING - 1986



available locally or from Solid State Sales.

One disadvantage of the circuit in Drawing 1 is that the LM1889 produces a short color burst which may cause problems on some color sets. Another problem is that the chroma oscillator is not in sync with the pixel clock. This will cause the normal rainbows at the edges of shapes to ripple. This may be very distracting if the two

clocks are near the same frequency. Drawing #2 shows a circuit which replaces the chroma oscillator with a phase-locked loop using the GROM clock. Refer to the TI99/4A video circuit. This must be brought out on pin 1 of J201. Cut the trace on the circuit board and add a patch wire from pin 37. The circuit of drawing 2 will give

R/D COMPUTING - 1986

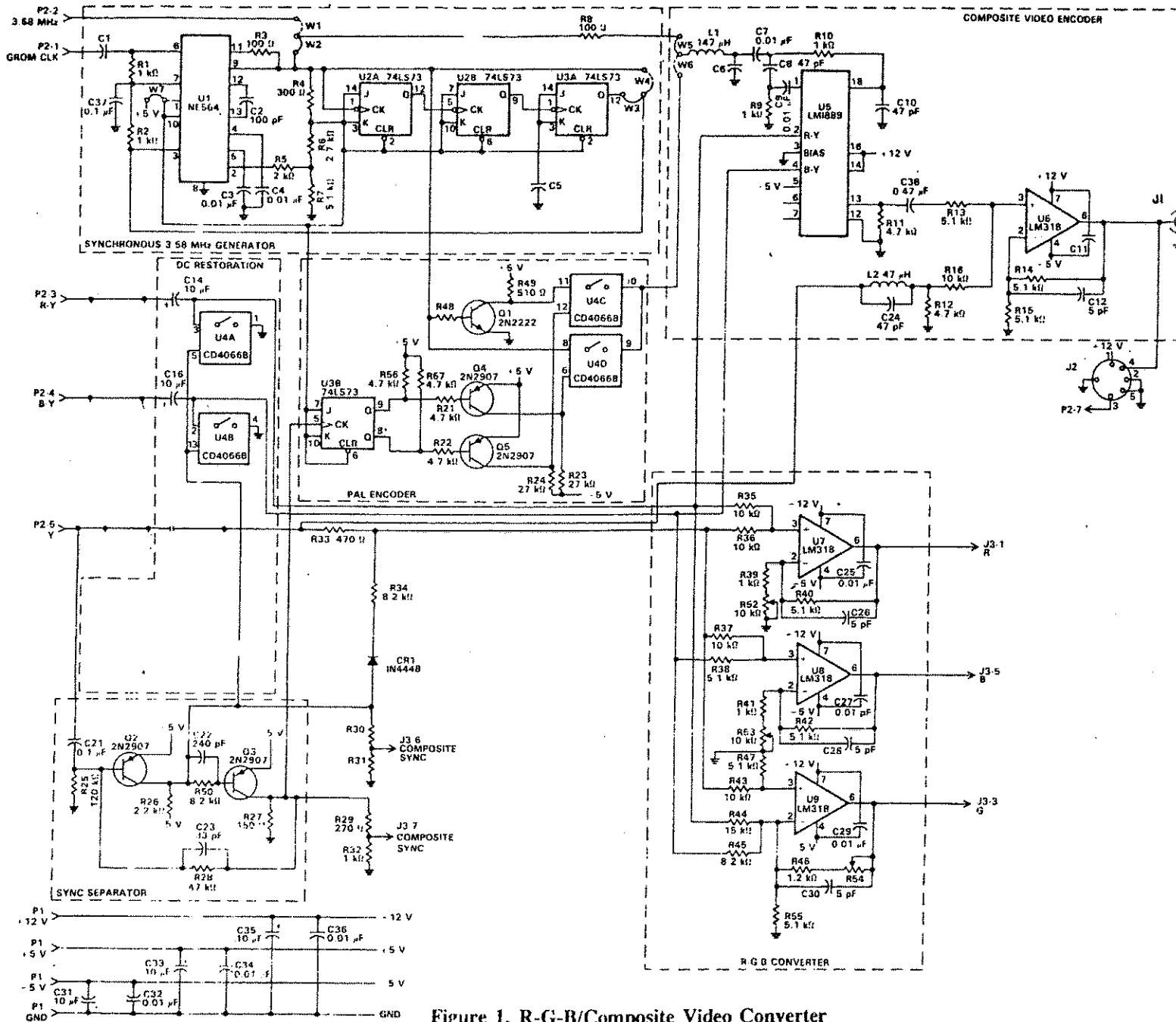


Figure 1. R-G-B/Composite Video Converter

excellent color and monochrome. I use this circuit with a Roland color monitor. The black and white mode produces very sharp text.

The RGB conversion circuit is more complex. This is taken from TI's application notes. It should be easy to build with no frequency dependent circuits (no tanks, filters etc.). Note that the TI99 already has a DC restoration circuit on the Y output. Keep the cable between the console and

the converter circuit short (less than one foot). There is no termination at the converter.

Also J3-7 is probably mislabeled and is really the vertical sync.

Please keep in mind that these circuits are experimental. Use them with that in mind.

If you have any more questions feel free to contact me:

Steven Schmitt, 2306 10th Ave. N.W., Rochester, MN 55901.

with a cassette recorder for what seemed like forever), you really need to come up with a cassette cable just to see the amazing things your 99/4 can do with a sound input. If you don't have one, check in the computer bargain papers; I've seen TI cassette cables advertised for \$1.50, which is probably less than what the connectors alone would cost you. It's also easy to make your own. Then you can stick on whatever mating plug your music device requires. Just about any sound device can be used to provide an audio input: tape recorder, radio, TV, Walkman, etc. If you wish to make your own cable, the audio input pins on the cassette port connector are numbers 8 and 9. On the standard TI cassette cable, pin 8 goes to the tip of a mini plug, and pin 9 goes to it's sleeve. This plug is inserted into the earphone or external speaker jack on the cassette recorder.

The sound modulated graphics display produced by the second program could easily be used as part of a disco light show. It kept me fascinated for hours as I played different songs and marveled at the patterns they produced. But there's more to this than just a psychedelic gimmick.

The point to be made with these sound analysis programs is that assembly language, being nothing more than an easy to read form of machine language, works very close with the hardware of your computer, i.e. the electronic components. Some of the work is simplified for you with the use of subroutines that handshake the hardware for you, such as the KSCAN routine, which reads the state of the keyboard contacts, and the disk device service routines, which are used to access the the disk reading mechanisms. You don't have to use KSCAN to input data from the keyboard; you can go directly to the pins of the keyboard driver chip and decode the key states yourself. I did this in program number three in my last article with the assembly language instruction TB 7, which senses the presence or absence of voltage on pin 34 of the TMS9901 semiconductor chip, which in turn is tied to the contacts of the switch that lies underneath the FCTN key on the keyboard.

It's quite a bit trickier to read the keyboard contacts than the audio input pin. Normally there is no reason to do this; anyway, as the KSCAN routine provides most of the keyboard reading functions we need. Most, but not all. How many points have you lost in a video game because the ALPHA LOCK key was on, knocking out some of the the joystick directions? You have probably seen games that flash a warning to check if the ALPHA LOCK is on, but that is simply a reminder. With assembly language you can go directly to the hardware, test the state of the ALPHA LOCK, and blare a warning tone with the message, "RELEASE ALPHA LOCK KEY NOW!". As soon as the key is released, the program continues its execution.

Does this ALPHA LOCK key business make your mouth drool? How come you've never seen a game written by TI that uses this check, even though it requires very little memory space? The answer to the last question is that the Editor/Assembler manual doesn't tell you how to do it, and most of TI's programmers didn't have an understanding of hardware that would let them figure it out. There's a modicum of truth in the joke: How many computer programmers does it take to change a light bulb? - THEY CAN'T; THAT'S A HARDWARE PROBLEM!

I'll willing to bet there's someone out there who's thinking: "That doesn't seem so hard to me. If you can check the FCTN key with the instruction TB 7, TB 21 ought to do the same thing for the ALPHA LOCK key, since page 409 in the E/A manual says CRU bit 21 is the 'ALPHA LOCK ON TI-99/4A' ". Sorry to say it just doesn't work that way. When I first started learning assembly language I tried it, and couldn't understand why it didn't work. It wasn't until many months later when I first saw the schematic diagram for the 99/4A that I finally figured it out. I leave it as a challenge for those of you who have the schematics to figure this one out.

Unlike the ALPHA LOCK check, reading the audio input pin is a particle of pastry, as you saw in the simplicity of last article's programs. Whenever a sound is applied through the cassette port, pin 30 of the TMS9901 chip modulates in a

R/D COMPUTING - 1986

manner analagous to a plucked guitar string. But instead of a physical vibration there is an electrical vibration. This electrical vibration represents the frequency of the applied sound. As received on pin 30 of the TMS9901, a sound wave will be a periodic bit string such as:

LOW FREQUENCY SOUND

```
11111111000000001111111100000000
```

HIGH FREQUENCY SOUND

```
11001100110011001100110011001100
```

These were the types of patterns produced on the monitor screen by last article's programs. They were interesting (at least to me they were, but perhaps I'm a bit strange), but not very dramatic. All that needed to be done was to add some "whistles and bells". This is what has been done with the following two programs.

Comparing the number of instructions in last article's programs and the current ones, you can see that whistles and bells are a case of the tail wagging the dog; they take up the majority of the program space. I wanted to give you lots of nifty features, but at the same time not burden you with the laborious task of entering hundreds of lines of coding. I had to compromise between program length and features - and that was difficult to do, because a lot can be done with the sound input routine.

This program length quandry has plagued me since I first began writing assembly language articles. It makes me feel bad when I see a copy of the final product that has already been distributed world wide, and there are typographic mistakes in the program coding. I feel bad because I know there are people who will type in the program, find it doesn't run, and spend hours checking to see if they made a mistake. Perhaps RYTE Data should set up a telephonic bulletin board service so readers could call and download the correct files. I'm sending in this article on disk so that it won't have to be retyped. Perhaps this will lower the error rate.

FIRST PROGRAM: FREQUENCY ANALYSIS

The first program is a frequency analyzer that displays sound as a twenty channel bar graph with a display that looks similar to:

```
5000CS RRRR
          00000
          YYYYYY
          GGGGGGG
1000CS BBBB BBBB
          IIIIIIII
          VVVVVVVVVV
          GGGGGGGGGGGG
          WWWWWWWWWWWW
          500CS RRRRRRRRRRRRRR
```

Different frequencies light up different color bars. The frequency headings are approximate. I calibrated my program with a stereo system test tape that produced tones from 30 to 15000 cycles per second. I wish I would have had a laboratory tone generator to accurately test the entire frequency response.

SECOND PROGRAM: PSYCHEDELIC LIGHT SHOW

This is not an entire program, but a segment to replace the graphics display section in the first program. It produces a set of concentric colored squares that modulate with the sound input. The effect is galvanizing. Recommended sound inputs for maximum effect: Bach's "Tocatta and Fugue", Iron Butterfly's "In A Gadda Da Vida", Meat Loaf's "Bat Out of Hell".

My amiga, Felisa, had a difference of opinion on the best display delay; she prefers a slower sampling rate, especially when you are listening to slower music. I use a delay of hex 200, but Felisa suggests hex 500. Try a delay of 1 and the screen will break up into shimmering pieces.

To change program one into the psychedelic light show, delete all the lines from "*SUBROUTINE TO DRAW COLOR WEDGE" to the end of the program. Then add the coding lines from program two in their place.

R/D COMPUTING-1986

To change the display delay, count down three lines after the "*DRAW SQUARES" line in program segment two. This line reads: "LI 0,>200". To slow down the screen display increase it from 200 to 500, or even higher if you like.

I would like to write more about these programs, but Bruce Ryan may want to put something in this newsletter besides my mutterings. Comments can be sent directly to me at either of these two addresses:

PSC BOX 4619
APO NY, NY 09286-5375

PLAZA DE SAN FRANCISCO #5
ESCALERA DERECHA, 2 DERECHA
50006 ZARAGOZA
SPAIN

```
*****
*   AUDIO SPECTRUM ANALYZER   *
*   BILL GRONOS JULY 1986     *
*                               *
*MAKES A SPECTRUM COLORED WEDGE *
*AND MODULATES IT WITH SOUNDS *
*FROM THE CASSETTE RECORDER   *
*INPUT.                        *
*****
```

```
DEF RUN
REF VWTR,VSBW,VMBW

RUN
*SET SCREEN BACKGROUND COLOR
LI 0,>0701 LOAD VDP REG 7/BLACK
BLWP @VWTR WRITE VALUE TO REG 7

*BLANK OUT CHAR PATTERNS 96-255
LI 0,>800+768 PATTERN LOC FOR 96
CLR 1
BP1 BLWP @VSBW
INC 0
CI 0,>800+768+1200 STOP AT 255
**CHANGE 20 CHARACTER SETS
JL BP1

*CHANGE SPACE CHAR TO BLACK
*TO MAKE BLACK SCREEN BACKGROUND
LI 0,>380+4 COLOR BYTE FOR 32-39
LI 1,>1100 BLACK ON BLACK
BLWP @VSBW

*DRAW BARS
BLWP @BARS
```

```
*DISPLAY SAMPLE OF ALL BARS
LI 1,COLORS
LI 0,>380+12
LI 2,20
BLWP @VMBW

*INPUT SOUND
**INIT REG 3 WITH COLOR TABLE
**DUMMY OFFSET VALUE
LI 3,>380+11
IS1 CLR 2
IS2 TB 27 TEST CASSETTE INPUT
JEQ IS2 WAIT FOR POLARITY CHANGE
IS3 INC 2 TIME FREQUENCY
TB 27
JNE IS3 QUIT ON POLARITY CHANGE
SRL 2,1 DIVIDE TIME BY TWO
MOV 3,0 PREVIOUS FREQUENCY ADDRSS
LI 1,>100 LOAD FOR COLOR BLACK
LIMI 2 ALLOW INTERRUPTS
**"QUIT" KEY IS NOW ACTIVE
**DISABLE SCRN TIME OUT COUNTER
IS4 CLR @83D6 CLR SCRN COUNTER
TB 2 WAIT FOR VDP INTERRUPT
JNE IS4
INC @ICOUNT
C @ICOUNT,@IMAX
JNE IS4
CLR @ICOUNT
LIMI 0 TURN OFF INTERRUPTS
**"QUIT" KEY NOW INOPERATIVE
BLWP @VSBW BLACK OUT PREV FREQ
**ACTIVATE COLOR OF NEW FREQUENCY
MOVB @COLORS(2),1 SELECT COLOR
MOV 2,0
AI 0,>380+11 ADJUST FOR COLOR LOC
MOV 0,3 SAVE COLOR ADDRESS
BLWP @VSBW TURN ON COLOR
JMP IS1 GET NEXT FREQUENCY

IMAX DATA 1
ICOUNT DATA 0
*COLORS ARE ARRANGED IN ROYGBIV ORDER.
* SINCE WE HAVE MORE ROWS THAN COLORS,
* COLORS ARE REPEATED
COLORS BYTE 6,8,9,11,10,3,2,12,7,5
BYTE 4,13,14,15,6,8,9,11,10,3

*SUBROUTINE TO DRAW COLOR WEDGE
**SET UP SUBROUTINE ADDRESS VECTORS
BARS
DATA BARWS REGISTER WORK SPACE
DATA $+2 SUBROUTINE ENTRY POINT
BARS1 MOV 4,5 # OF CHARS IN ROW
MOV 3,0 SCRN LOC OF 1ST CHR
BARS2 BLWP @VSBW
INC 0
DEC 5
```

R/D COMPUTING-1986

```

JNE BARS2 JUMP UNTIL ROW IS DONE
AI 1,>800 INCREMENT CHAR NUMBER
INC 4 INCREMENT ROW LENGTH
AI 3,32 INCREMENT SCREEN ADDRESS
DEC 2 DECREMENT ROW COUNT
JNE BARS1 JUMP FOR NEXT ROW
*PRINT HEADINGS
LI 0,2
LI 1,FREQS
LI 2,6
BLWP @VMBW
LI 0,290
LI 1,FREQS+6
BLWP @VMBW
LI 0,547
LI 1,FREQS+12
DEC 2
BLWP @VMBW
LI 0,707
LI 1,TITLE
LI 2,26
BLWP @VMBW
**CHANGE LETTER COLORS TO WHITE ON BLK
LI 0,>380+6
LI 1,>F100
CL1 BLWP @VSBW
INC 0
CI 0,>380+12
JNE CL1
RTWP RETURN TO MAIN PROGRAM

BARWS
*INIT VALUES FOR REGS 1-4
**R1=STARTING CHAR VALUE (>60)
**R2=NUMBER OF ROWS (20)
**R3=SCRN LOCATION OF 1st ROW (9)
**R4=NUMBER OF CHARS IN 1st ROW(4)
DATA 0,>6000,20,9,4
BSS 22 SPACE FOR REGS 5-15
FREQS TEXT '5000CS1000CS500CSZ'
TITLE TEXT 'THE BILL GRONOS SOUND SHOW'
END

*****
* PROGRAM SEGMENT TO TURN SOUND *
* ANALYZER INTO PSYCHEDELIC LIGHT SHOW*
*****

*DRAW SQUARES
BARS DATA BARWS
DATA $+2
LI 0,>200
MOV 0,@IMAX INCREASE TIME DELAY
**DRAW HORZ BARS
CLR 1
LI 2,736
LI 3,32
LI 7,>6000
L1 MOV 1,4
BL @L3
MOV 2,4
BL @L3
AI 1,33
CI 1,363 396
JH DV
AI 2,>FFE1 (-31)
DECT 3
AI 7,>800 INCREMENT CHAR
JMP L1
*MAKE BAR
L3 AI 4,>4000
SWPB 4
MOVB 4,@>8C02
SWPB 4
MOVB 4,@>8C02
MOV 3,6
L2 MOVB 7,@>8C00
DEC 6
JNE L2
B #11
DV CLR 6 BAR FLAG
*DRAW VERT BARS
LI 4,32 LEFT BAR POSITION
LI 3,22 SQUARE COUNT
LI 1,>6000
LI 5,33
JMP DV2
DV3 CI 6,2
JEQ END
LI 4,63 RIGHT BAR POS
LI 3,22 SQUARE COUNT
LI 1,>6000
LI 5,31 POS INCREMENT
DV2 MOV 4,0
MOV 3,2
DV1 BLWP @VSBW
AI 0,32 INC SCRN POS
DEC 2 DEC COUNT
JNE DV1
A 5,4 POS OF NEXT BAR
AI 1,>800 NEXT CHR SET
DECT 3 DEC SQ COUNT
JNE DV2
INC 6
JMP DV3
END
RTWP
BARWS BSS 32

```

NUTS & BOLTS REVIEW

Many TI owners use Extended Basic for their program environment. It is possible to accomplish most programming tasks and to add assembly language support to XB programs.

With the power and flexibility of TI's Extended Basic, comes a non-standard syntax and statement format compared to many other forms of Basic. This makes it difficult to directly apply many of the conventions or tutorials to the programming task.

Jim Peterson of Tigercub Software has provided a solution to many of these problems. His software products include a range of hints, tips, programs, subroutines and examples of truly advanced Extended Basic programming.

Most of the Nuts & Bolts II routines are saved in "merge" format which can be called into your programs very easily. For example, you need a certain routine to say, clear the screen in a novel and esthetic manner. You simply place a statement such as `CALL CLRSCRN(4,12)` in your program, merge in the `CALL CLRSCRN` routine and bingo, you now have a routine called "CLRSCRN" in your program! Saves countless hours.

Better yet, the program examples are worth their weight in diamonds. How many times have you been looking for a specific routine? With the Tigercub collection, hundreds of routines are at your fingertips.

Each disk contains over 100 files of advanced programming ranging from `ACCEPTDUMP` to `ZOOP`.

Jim also publishes Tips from the Tigercub which is sent to a large number of users groups in the US and Canada. Many newsletters contain program & tips listings from him - a definite asset to the TI community. Following are a few of the more recent programs. Let us know if you feel that this type of programming input is worth supporting.

QUAD DENSITY TI DISK CONTROLLER

Update #2. Several people have written

in regarding the quad density PROM modification mentioned in issue V 1.7 some time ago.

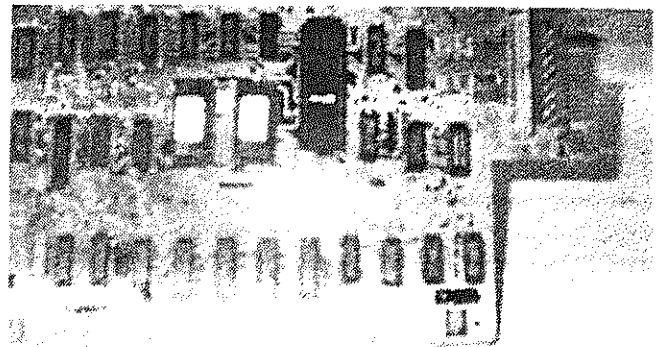
In examining the TI disk controller manuals, it becomes obvious that TI did lay out the card & software specifications to accommodate future versions. For example, at address 004A - 004B is stored the value for number of sectors per disk. This word could hold a very large number (ie: `FFFFFFFFFFFFFFFF`)!!

The next byte 004C indicates the DSR version (0=nothing special, 1=version 2 DSR, 2=density & features for (new) DSR). The next byte 004D holds the drive #.

What is involved here is a change to the controlling software contained on two PROM (Programmable Read Only Memory) chips on the TI Disk Drive Controller (DDC). These are removed (they are the 24pin IC's to the left of the 40 pin IC designated FD1771) and replaced with two custom EPROMs with a new Device Service Routine.

DOS80 then allows the use of 80 tpi (track per inch) drives in the system. You can obtain 1440 sectors of information on one side of one disk.

As the TI disk controller reads the timing byte in the console operating system, the transfer of information is synchronized with the system. This is similar to the method that Myarc uses with their disk controller to get QUAD DENSITY double-sided operation from their disk controller.



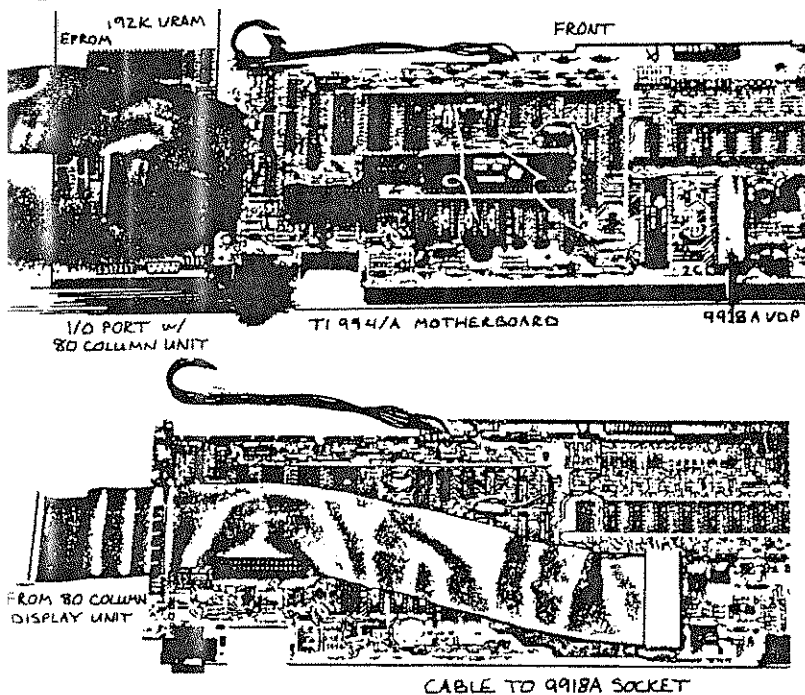
To utilize the modifications completely, Hiener Martin also wrote an EPROM based disk manager (in GPL) for DOS80 which is contained on a special EPROM card in a command module. This approach works the same as Disk Manager II with additional features.

R/D COMPUTING - 1986

You have to select the 80 tpi format when first accessing the drive due to the fact that the PAB software stores certain information about drives in use. To start with a 40 track disk and later request a catalogue from an 80 track disk would return errors to the system.

To make this available would involve quantities of the DSR EPROM, English translation of the DOS80 disk manager and more instructions! We need to hear from more users who would like to see this project come 'out of the lab'. In fact, if this seems worthwhile, get a friend to write us as well. We'll see what can be done.

80 COLUMN UPDATE:



After a delay of approximately three months, Mechatronic has produced the long awaited 80 Column Display unit mentioned previously in Micropendium, Computer Shopper and R/D Computing.

Want to see your TI "grow up"? This new display will knock your socks off! 'Other' machines have had 80 column cards available for years (another benefit of open information and architecture). It's about time that the powerful 9900 in your TI 99/4A had a graphics processor which takes full

advantage of the system.

This device plugs into the I/O port on the right side of the computer. A small ribbon cable goes into the console to plug into the 9918A VDP socket. The interface cable plugs into the right side of the 80 Column Display unit (80CD). The circuit board is housed in a black metal case about 4" x 12" by 1" high. The reason this was done is that this allows ALL 4A owners to use this new graphics display board.

As noted previously, PE Box card designs have not come to fruition due to the fact that all the graphics information is not present out on the expansion bus. In our opinion, this format works just fine. The "modification" is a snap - no soldering or technical knowledge is needed. You simply open up the console and p, it's done. (If you're unsure how to accomplish the job, detailed instructions with clear diagrams are included.)

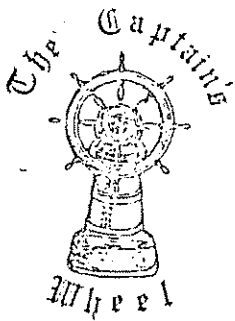
Now for all the good stuff; the 80CD is compatible with all your TI 99/4A software running in '40 column' mode. This includes modules, cassette and disk programs. The 9938 chip supports all the original 9918A commands.

We've been testing this device to the limit. New software is being written as you read this. Information has gone back to Mechatronic regarding how many should be produced before Christmas 1986.

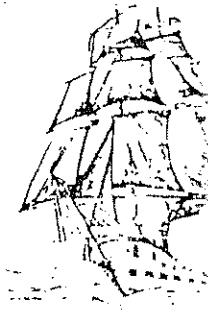
There IS a waiting list. If you want an 80 Column Display Unit, to reach you before 1987, you must send us a firm order ASAP. Otherwise we cannot promise delivery anytime before first quarter next year. Enough said.

[This aspect brings up some interesting questions: how much "marketing" should be performed in the pages of R/D Computing? To date, only one person has complained. Last issue contained no ads per se. This issue is the same. Except for new products being mentioned, we figure you know what is offered "ad wise".]

R/D COMPUTING-1986

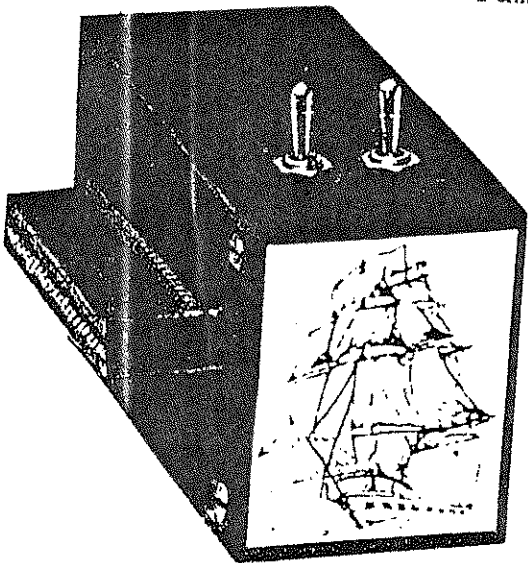


TI99/4A SPECIALISTS
17295 CHIPPENDALE AVE
FARMINGTON, MN 55024
(612) 460-6348

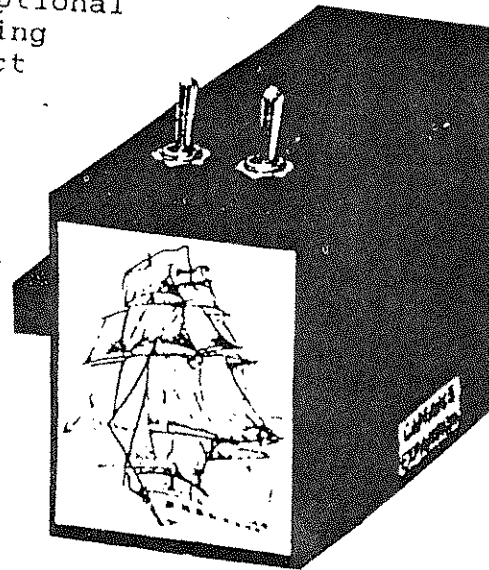


TI99/4A 32K MEMORY LOW AS \$39.00!
IN QUANTITIES OF TWO OR MORE.

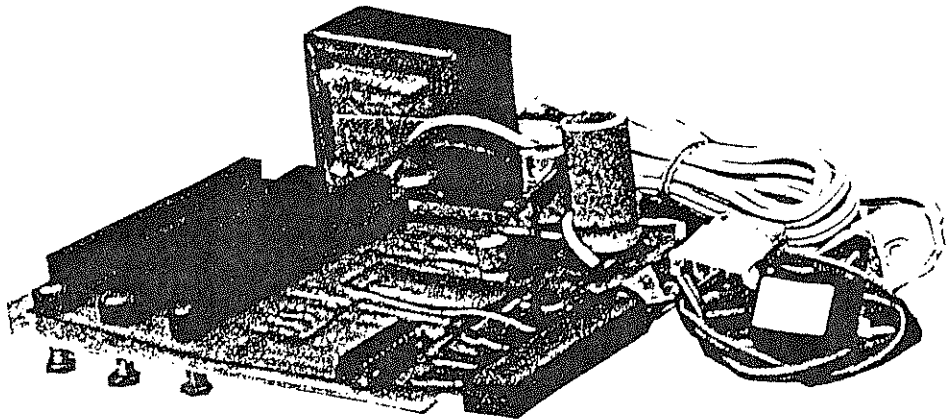
Yes..Yes...now you too can enter the exciting world of TI99/4A machine language programs! Our 32K memory has optional loader software for loading any E/A standard object code file from CS1 or any Disk!



Optional Features:
1) Duplicate any 8K block of memory
2) Add up to three additional blocks of memory. (Software is considered one 8K block.)
3) Loader software allows transferring code either from CS1 to Disk or Disk to CS1.



3 SLOT EXPANSION SYSTEM KIT \$35.00!



Yes we are still manufacturing our three slot expansion kits. The kit includes every part required to build a system. Cases; however, are no longer available. The kit includes instructions for building your own case. These kits should take no longer than a day to put together, (most people do it in less than a couple of hours.) Simple step by step instructions allow just about anyone who has used a soldering iron to build this kit.

R/D COMPUTING - 1986

FEEDBACK LETTER:

I hope to ultimately begin work on an 'attached computer' design by the end of the year, using first a 9900, then a 9995 in later designs. I think its great that MYARC has a computer on a PEB card, but I'd like to develop a "blank" computer using a 9995 and lots of memory. It would then interface to the 99/4A via a TI 9650 Multiple Microprocessor Interface chip. This way, you can develop your own computer, using the 99/4A as an I/O machine (disk, video etc) and have lots of separate memory for programming. I don't know what Myarc is using for a memory mapper, but TI has one that will give a 9995 a 16 Megabyte address range... not just 2 megabytes. I might eventually incorporate that too, just for future expansion. This approach has several advantages: it could be put together relatively cheap (<\$150.00>), would be on the market quickly since software development would be limited to a primitive monitor and interface routines. This could be extremely useful to serious TI owners. Think of what you could do with an extra 128k - 256k+ of RAM of assembly language programming space AND a separate processor to run it while the 4A runs concurrently! This is an easy way to solve the compatibility problem too: keep the 4A in its console (or a new case) to run existing programs and let the new machine do its thing separately. So throw my hat in the ring for development of a 'replacement' machine. I could never generate the complex software and hardware that Myarc has done to date, but I believe a simplified yet expandable machine will generate enough interest in the TI community to generate its own application software.

Later I'd like to add a separate video card, based on TI's new 340 Graphics Processor (GP) chips. I know Myarc and others are working on 9938 cards, but I personally believe that the MSX computer standard is a dud which will fail and take the 9938 & Yamaha's support with it. A 34061 GP can give you combined text/bit map abilities that far exceed those of the Macintosh, Amiga and Atari ST (etc.). Unlike the 9918A (etc) family VOPs, the 340xx

series has no fixed text modes, can display up to 1024 x 1024 pixels, 16 colors per line (not per screen)... out of a possible 4096 colors. They also double as the system dynamic memory controllers. Just about all you need is the microprocessor and software. The newest chip, 34010, is CMOS and has its own built-in 32bit microprocessor plus built-in commands similar to DRAW, LINE, FILL, WINDOWS etc. The 9938 is okay but it's rooted too firmly in the '70s; the 340 GP series is the standard for the '80s and beyond.

My dream computer would have a 99105/99110 and lots of memory with the 34061 or 34010 for the display. Such a computer would be able to hold its own against Apple, Commodore, Atari and even IBM in the home/PC -business market.

Another idea would be development of a 9995/99105 co-processor board for the IBM and compatibles. That seems to me to be a viable product.

I liked the reader's letter on replacement 9900 machines. I want something based on the 9995 (or 99105 if it wasn't so %! expensive!) because I am familiar with the 9900 family and assembly language.

As noted, I'd like a machine with room for expansion in computing power, memory and video capabilities with OPEN ARCHITECTURE. That's a computer that will last!

Your plans presented in the newsletters have varied in quality and amount of design documentation. As an engineer, I prefer to have the background information on the circuit logic in case there is a problem or want to modify the circuit myself. I personally don't like anything that involves physical modifications to the motherboard; too many chances to muck things up permanently on an out-of-production computer.

Last minute notes: Do you know of any good DSR articles that explain the setup of DSRs (above and beyond what's in the PEB Tech Manual) in all phases: initialization, interrupts etc?

Tony Lewis

ATRONIC DISK CONTROLLER

We received demo units of the ATRONIC hardware mentioned in issue 1.12(.5) of the Disk Controller, RS232 and the standalone CPS99 system.

Very interesting products. I would have to give these an "A+" on all counts: quality control, ease of use, adequate documentation and adherence to TI standards.

Of particular merit is the double sided double density disk controller. This card controls up to four drives, uses all the standard TI disk drive interface specifications and does not perform strange power-up routines. It was refreshing to see a DDC that met the TI specs detailed for their DS/DD controller.

The card formats disks in a 9 sector format for 1440 sectors available. This is exactly twice the old SS/SD format used by Texas Instruments. To access the disk manager program (on disk) you simply enter "CALL MGR" from command mode. The disk manager then loads & runs under the on-board software contained in an EPROM. A standard DSR link routine is used - with all tracks reading & writing at the proper designated locations AND the GPL workspace address >8350 used for error messages etc.

All of the difficult software was able to load and run with the ATRONIC disk controller. Says a lot for the design work! The card uses all standard parts and cables / no surprizes there either. It appears that ATRONIC has been producing this hardware for about two years. They are not "new" to the TI market in Europe... rather they are manufacturing an entire line of both standalone and card level hardware products for the TI 99/4A.

Just for reference, we will be showing these products in Chicago. Due to the limited number of TI PE Boxes, we are considering taking trade-ins on TI disk controllers. Let us know what you think about this approach!

TIGERCUB SOFTWARE

Over 130 original entertainment, education and programming utility programs in Basic and Extended Basic on cassette or disk. Only \$3.00 each! Eighteen different full-disk collections, just \$12.00 each! Descriptive catalogue \$1.00 refundable. TIPS FROM TIGERCUB full-disk collections of 50+ programs and files from Tigercub Tips newsletters, Vol. I, II and III \$15.00 each; any two \$27.00; all three \$35.00 postpaid. NUTS & BOLTS (#1) and (#2) full disks of 100+ utility subroutines in XBasic 'merge' format, ready to merge into your own programs: \$19.95 each, both for \$37.00 with documentation, postpaid. Orders to Tigercub Software, 156 Collingwood Ave., Columbus, OH 43213

SMART MODEMS FOR ONLY:

\$39.00

Completely TI compatible. Add \$6 if using CorComp RS232. Modems are auto dial/answer, come with RS232 cable, manual and telephone cable. Power supply is NOT included. Power requirements are fully documented. Power supplies may be available for a short period of time. Only 50 modems to sell!

Write to: Smart Modems
14436 FENTON
REDFORD, MI 48239
USA

Send US funds for foreign equivalent. Make check or money order payable to: Scott A. Sorel. If a power supply is desired add \$10. Money will be refunded if quantities are sold out upon arrival of order.

WANTED: TI99/4A CONSOLES.

Have a spare console? Know anyone who would sell theirs? We only want the console - no software or peripherals needed. Will pay 50% of current, new replacement cost for each console. Must be in working condition. Looking for old TI disk drives, the SS/SD variety...
Contact: Ryle Data

SUSCRIBE NOW to receive each new issue. Copies are mailed during the fourth week every month to subscribers. The data shown on each cover is for the month PAST ie: JAN 1986 is published at the end of January. Back issues are available as follows:

- V 1.2 Load Interrupt Switch
E/A 8k module upgrade
- V 1.3 TMS 9995 Memory map & specs
numeric keypad project & etc.
- V 1.4 Extended Basic plus by Apesoft
Myarc 128k card
Auto-fire project & etc.
- V 1.5 32K internal memory upgrades
DS/DD Ramdisk
Auto power-up project
- V 1.6 Myarc 256k Computer
"C" Compiler
128k 'console only' memory unit
RAM/GRAM card
- V 1.7 MAXIMEM review
EPROM burner
Schedule Manager review
Sense & Control card

1986 Subscription price: \$14.00 US funds including First Class Delivery. Add \$3 foreign

Back Issues are available to subscribers only. Price: \$2.00 each. Add \$1.00 postage US & Canada. Add \$2.00 overseas. For Special Delivery AIRMAIL add \$4.00.

R/D Computing is published monthly by Ryte Data in Haliburton, Ontario. Copyright 1985. All material contained herein is taken from sources believed to be accurate. No responsibility for errors, omissions or misprints is assumed. Articles may be reprinted with credits by users groups for publication.

Articles dealing with Texas Instruments 99/4A and 9900 based computers are published. Special attention is given to data on upgrading and modifying the 4A console & system. Information and material for consideration is solicited from owners, users groups, hardware manufacturers, software publishers etc. Please send all correspondence to Ryte Data R/D, 210 Mountain Street, Haliburton, Ont. K0M 1S0 Canada. We cannot accept responsibility for materials submitted and, unless stated otherwise, will assign all manuscripts, letters etc. for publication. **ONLY** Manuscripts with sufficient postage and self-addressed mailer will be returned.

In two issues (March) we are setting up a new un-classified ad section. Cheap rates at \$1.25 per 40 character line. Send copy to our address with payment. Count all the characters, spaces etc. Ads will be run according to order received. Deadline date is the 21st of each month.

16



**Rytetm
Data**
BOX 210 MOUNTAIN STREET
HALIBURTON, ONTARIO K0M 1S0
CANADA

