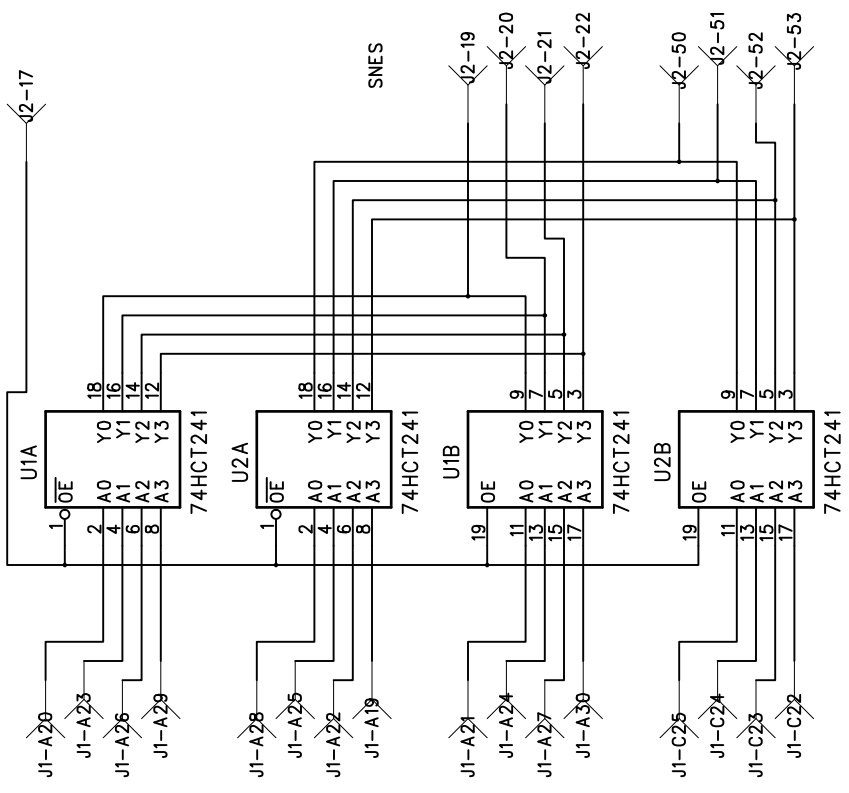


REVISION RECORD			
LTR	ECO NO:	APPROVED:	DATE:



SEGA

COMPANY: _____

TITLE: _____

CODE: _____ SIZE: _____ DRAWING NO: _____ REV: _____

SCALE: _____ SHEET: _____ OF _____

DRAWN: _____ DATED: _____

CHECKED: _____ DATED: _____

QUALITY CONTROL: _____ DATED: _____

RELEASED: _____ DATED: _____