

1

2

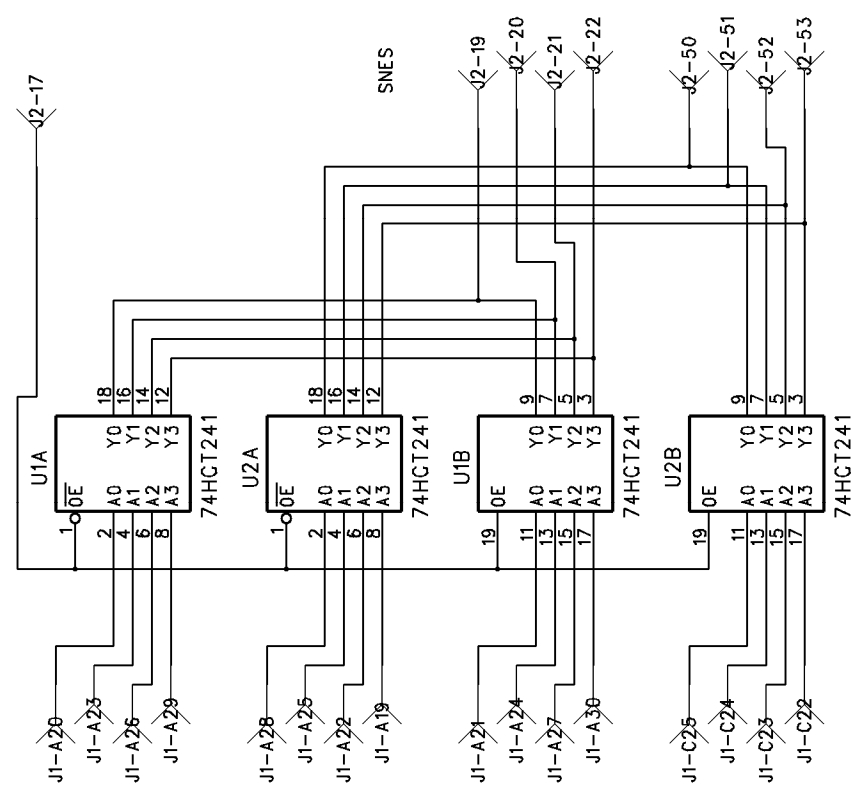
3

4

5

6

REVISION RECORD			
LTR	ECO NO:	APPROVED:	DATE:



SEGA

SNES

COMPANY: \_\_\_\_\_

TITLE: \_\_\_\_\_

CODE:	SIZE:	DRAWING NO:	REV:

SCALE: \_\_\_\_\_ SHEET: \_\_\_\_\_ OF \_\_\_\_\_

DRAWN:	DATED:
CHECKED:	DATED:
QUALITY CONTROL:	DATED:
RELEASED:	DATED:

D

C

B

A