



INTERNATIONAL TELECOMMUNICATION UNION

**ITU-T**

TELECOMMUNICATION  
STANDARDIZATION SECTOR  
OF ITU

**Q.627**

(03/93)

**INTERWORKING OF SIGNALLING SYSTEMS**

---

**INTERWORKING OF SIGNALLING SYSTEMS**

—

**LOGIC PROCEDURES FOR OUTGOING  
SIGNALLING SYSTEM No. 7 (ISUP)**

**ITU-T Recommendation Q.627**

(Previously "CCITT Recommendation")

---



## FOREWORD

The ITU Telecommunication Standardization Sector (ITU-T) is a permanent organ of the International Telecommunication Union. The ITU-T is responsible for studying technical, operating and tariff questions and issuing Recommendations on them with a view to standardizing telecommunications on a worldwide basis.

The World Telecommunication Standardization Conference (WTSC), which meets every four years, established the topics for study by the ITU-T Study Groups which, in their turn, produce Recommendations on these topics.

ITU-T Recommendation Q.627 was prepared by the ITU-T Study Group XI (1988-1993) and was approved by the WTSC (Helsinki, March 1-12, 1993).

---

## NOTES

1 As a consequence of a reform process within the International Telecommunication Union (ITU), the CCITT ceased to exist as of 28 February 1993. In its place, the ITU Telecommunication Standardization Sector (ITU-T) was created as of 1 March 1993. Similarly, in this reform process, the CCIR and the IFRB have been replaced by the Radiocommunication Sector.

In order not to delay publication of this Recommendation, no change has been made in the text to references containing the acronyms "CCITT, CCIR or IFRB" or their associated entities such as Plenary Assembly, Secretariat, etc. Future editions of this Recommendation will contain the proper terminology related to the new ITU structure.

2 In this Recommendation, the expression "Administration" is used for conciseness to indicate both a telecommunication administration and a recognized operating agency.

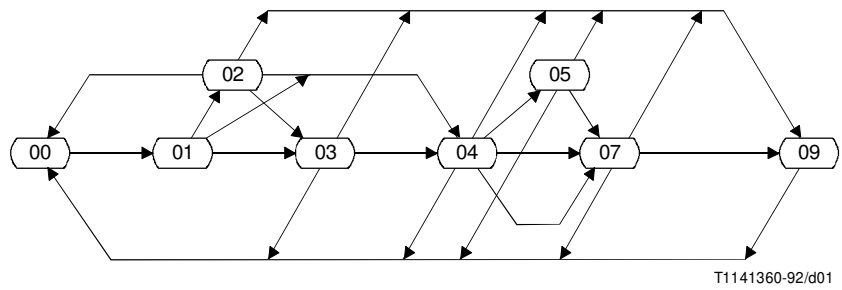
© ITU 1994

All rights reserved. No part of this publication may be reproduced or utilized in any form or by any means, electronic or mechanical, including photocopying and microfilm, without permission in writing from the ITU.



**INTERWORKING OF SIGNALLING SYSTEMS – LOGIC PROCEDURES  
FOR OUTGOING SIGNALLING SYSTEM No. 7 (ISUP)**

(Helsinki, 1993)



State number	State description	Sheet reference	Timers
00	Idle	1, 8	
01	Wait for call setup info	1	
02	Wait for continuity check	2	$t_1, t_2$
03	Wait for continuity indicator	3	$t_2$
04	Wait for address complete	5	$t_2$
05	Wait for answer	5	
07	Answered	6	
09	Wait for RLC	8	$t_3, t_7$

FIGURE 1/Q.627  
State overview diagram for outgoing Signalling System No. 7 (ISUP)

**Supervisory timers for outgoing Signalling System No. 7 (ISUP)**

$t_1 = 2 \text{ s}$	Waiting for continuity check
$t_2 = 20 - 30 \text{ s}$	Waiting for address signal
$t_3 = 4 - 15 \text{ s}$	Waiting for Release Complete after Release
$t_7 = 1 \text{ minute}$	Stop repeat sending of Release on $t_3$ timeout

**Information contents of FITEs and BITEs**

For the information contents of the following FITEs and BITEs see the contents of the corresponding messages in Recommendation Q.763:

FITE A	Initial Address Message (IAM)
BITE 47	Call Progress Message (CPG)
BITE 48	Connect Message (CON)
BITE X	Address Complete Message (ACM)
BITE Y	Answer Message (ANM)

**Procedures not shown**

Procedures related to the following messages are not shown in the logic procedures because of no relevancy for interworking or no usage defined yet:

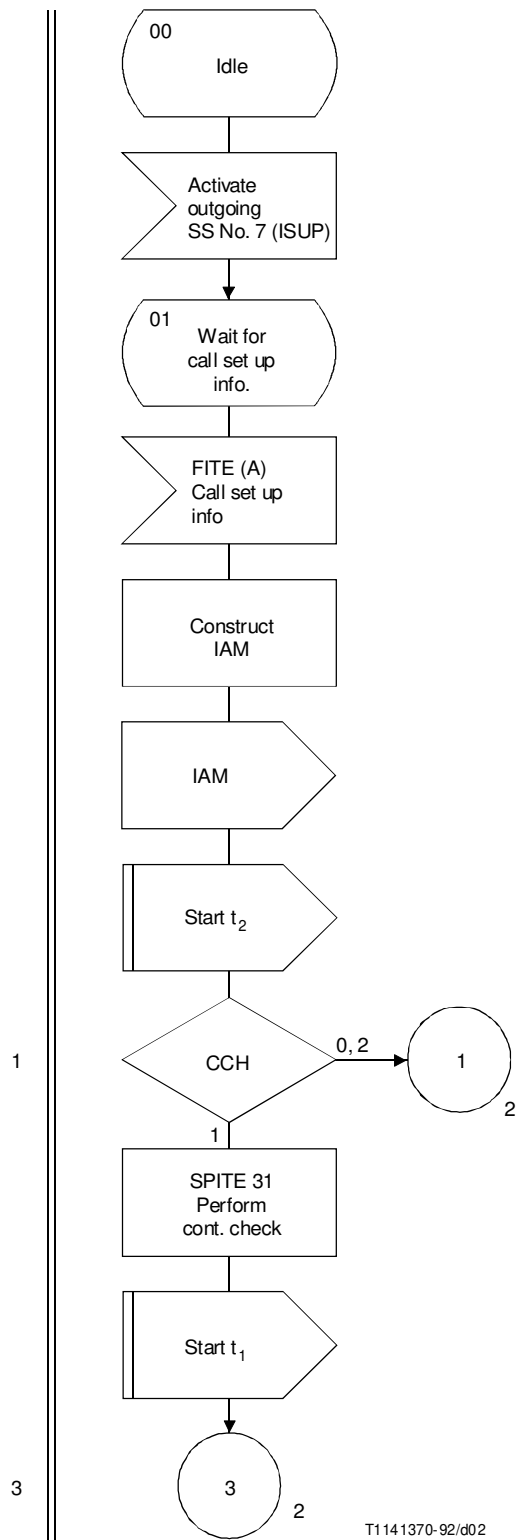
BLO	CGU	FRJ	UBA
BLA	CGUA	GRA	UBL
CCR	CQM	GRS	UCIC
CFN	CQR	LPA	USR
CGB	FAA	OLM	
CGBA	FAR	RSC	

**Indicated fault procedures**

$P_1$ (State 02)	Continuity check failure
$P_2$ (State 02)	Cross office check failure
$P_3$ (State 07)	Failure to receive RES

FIGURE 2/Q.627

**Notes to outgoing Signalling System No. 7 (ISUP)**



T1141370-92/d02

FIGURE 3/Q.627 (sheet 1 of 8)  
 Outgoing Signalling System No. 7 (ISUP)

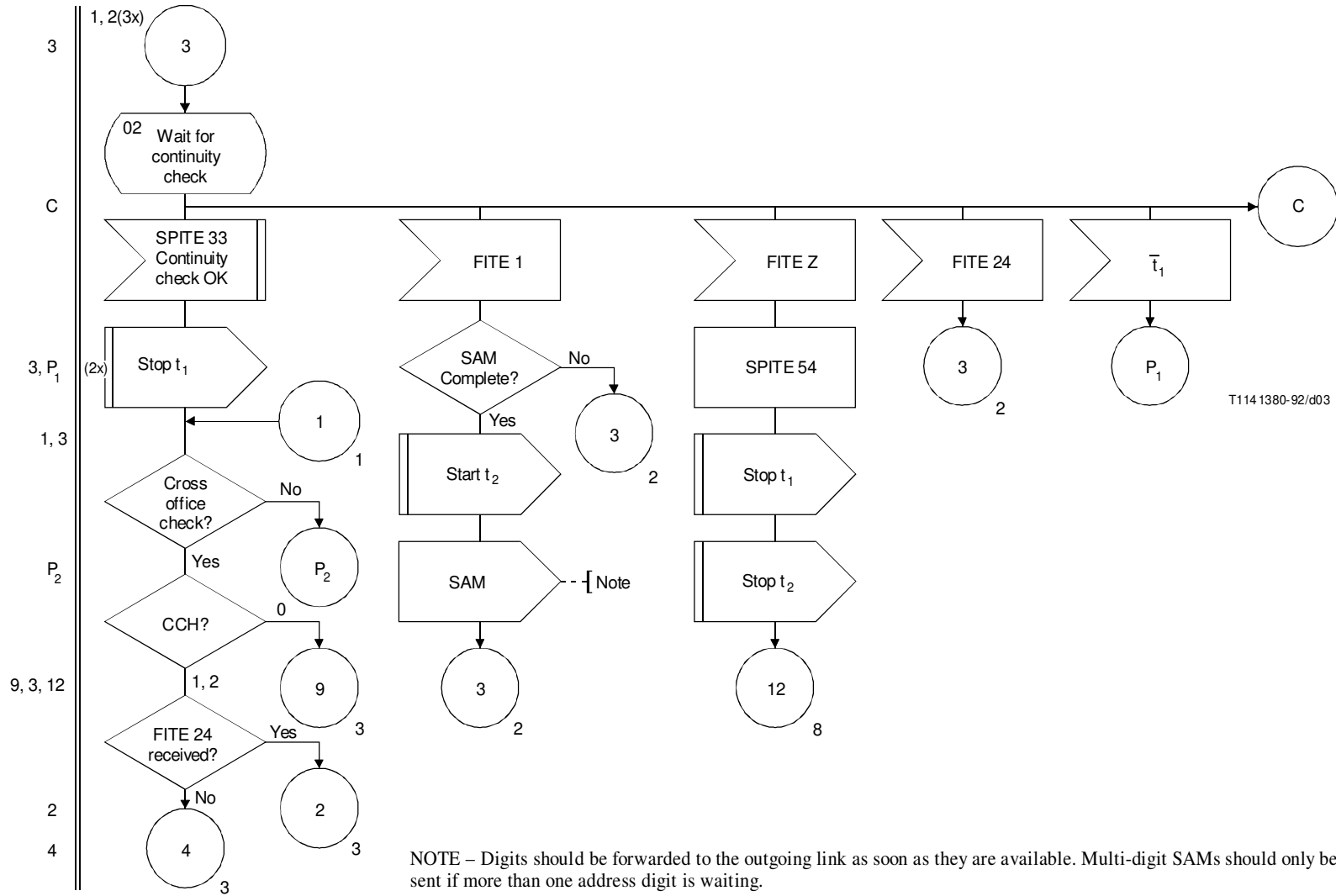
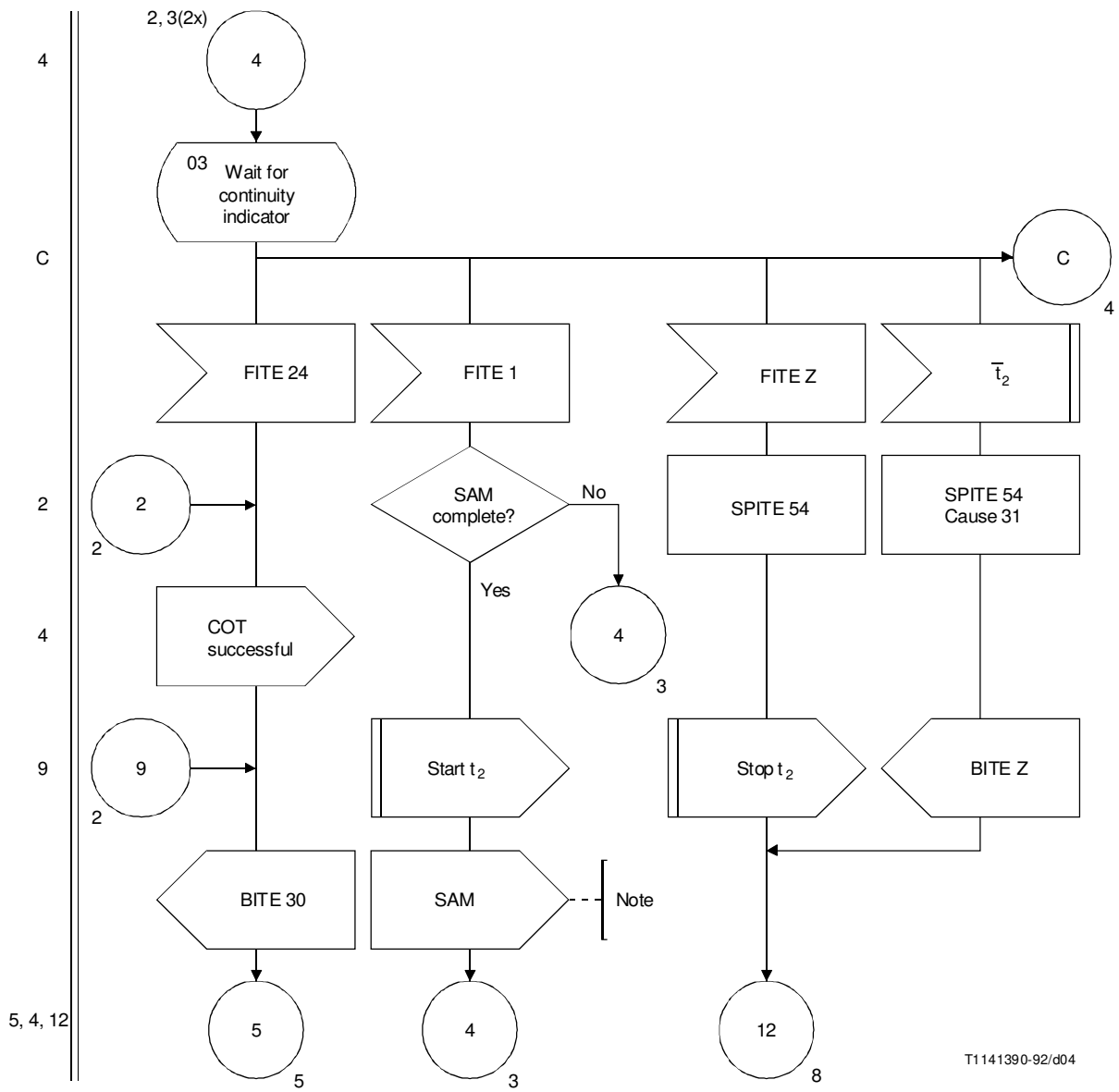


FIGURE 3/Q.627 (sheet 2 of 8)  
 Outgoing Signalling System No. 7 (ISUP)

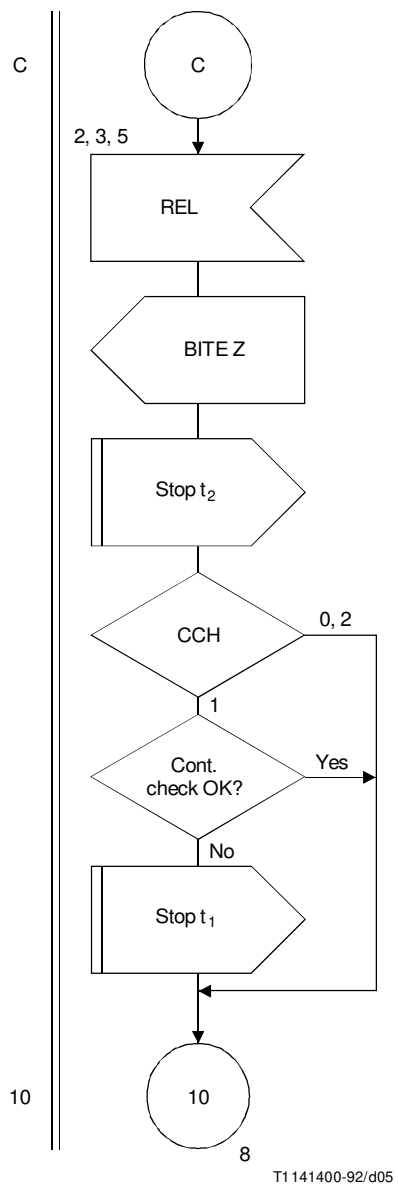




T1141390-92/d04

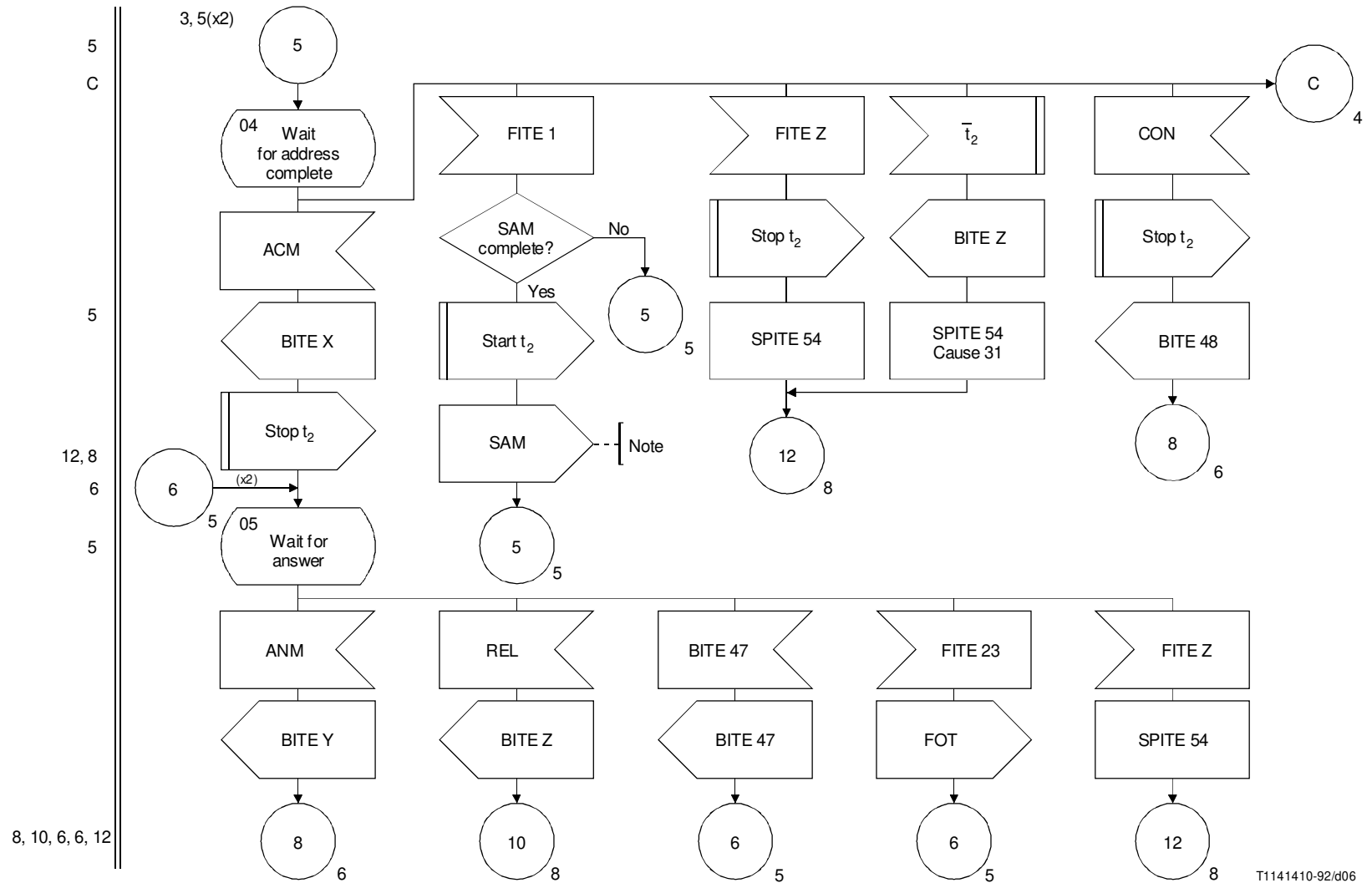
NOTE – Digits should be forwarded to the outgoing link as soon as they are available. Multi-digit SAMs should only be sent if more than one address digit is in waiting.

FIGURE 3/Q.627 (sheet 3 of 8)  
**Outgoing Signalling System No. 7 (ISUP)**



T1141400-92/d05

FIGURE 3/Q.627 (sheet 4 of 8)  
 Outgoing Signalling System No. 7 (ISUP)



T1141410-92/d06

NOTE – Digits should be forwarded to the outgoing link as soon as they are available. Multi-digit SAMs should only be sent if more than one address digit is waiting.

FIGURE 3/Q.627 (sheet 5 of 8)  
Outgoing Signalling System No. 7 (ISUP)

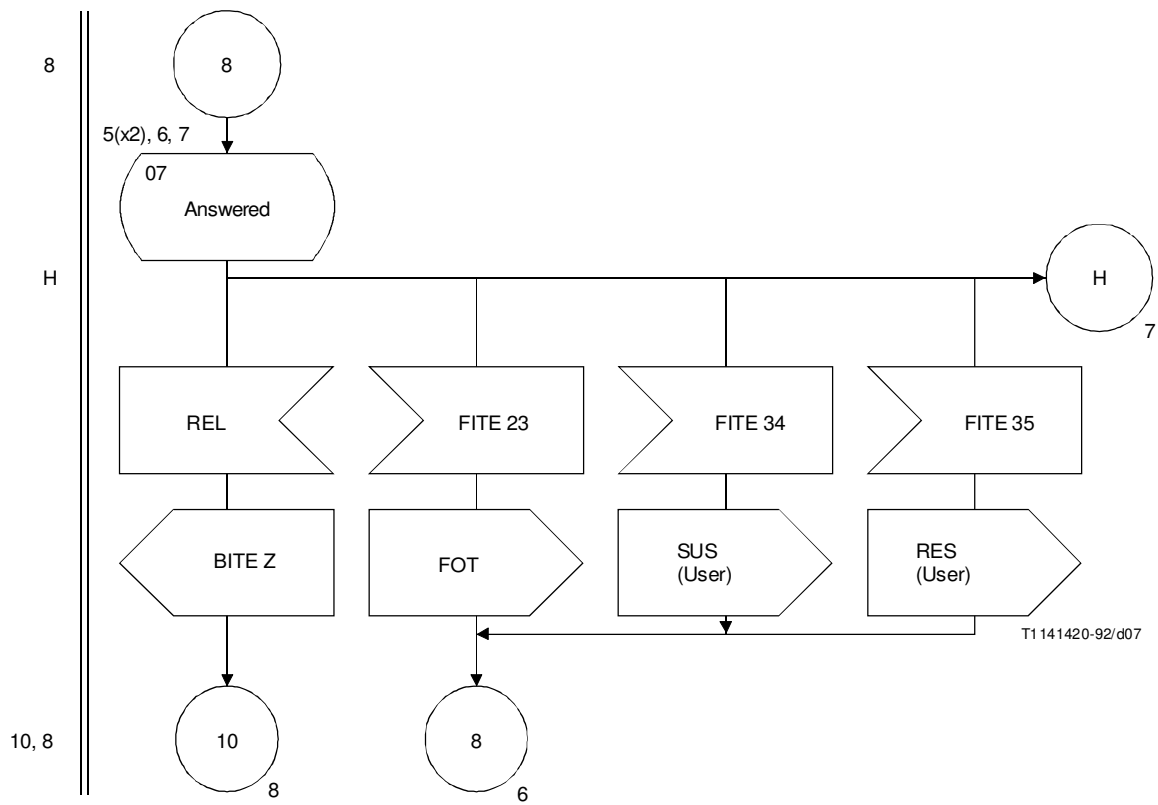


FIGURE 3/Q.627 (sheet 6 of 8)  
 Outgoing Signalling System No. 7 (ISUP)

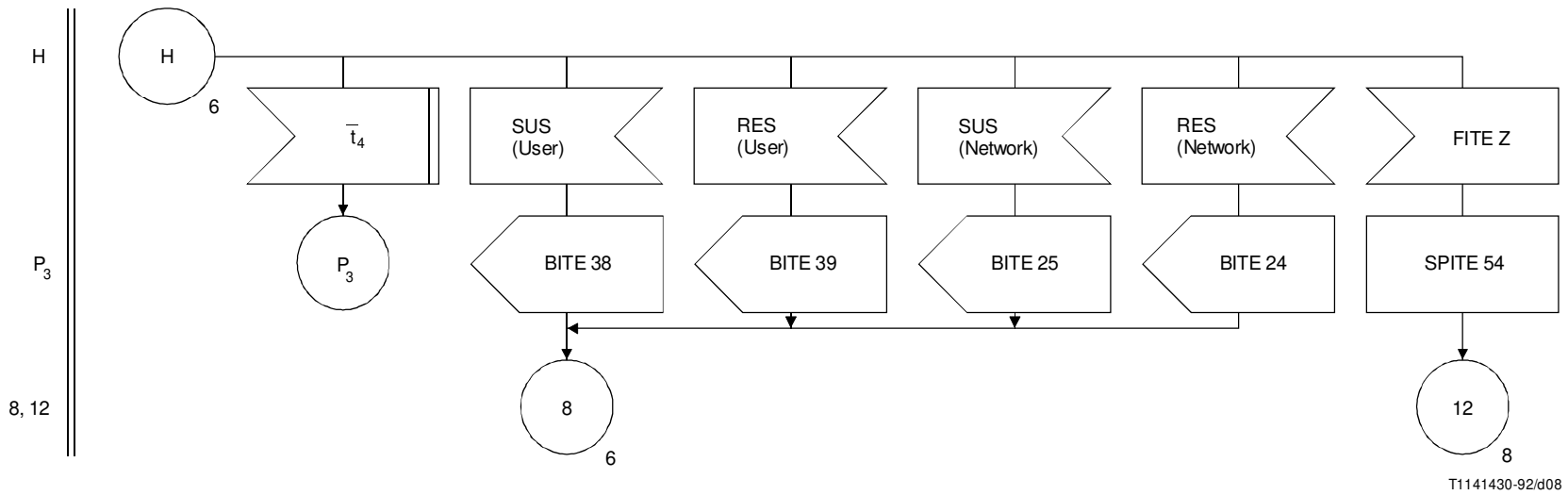
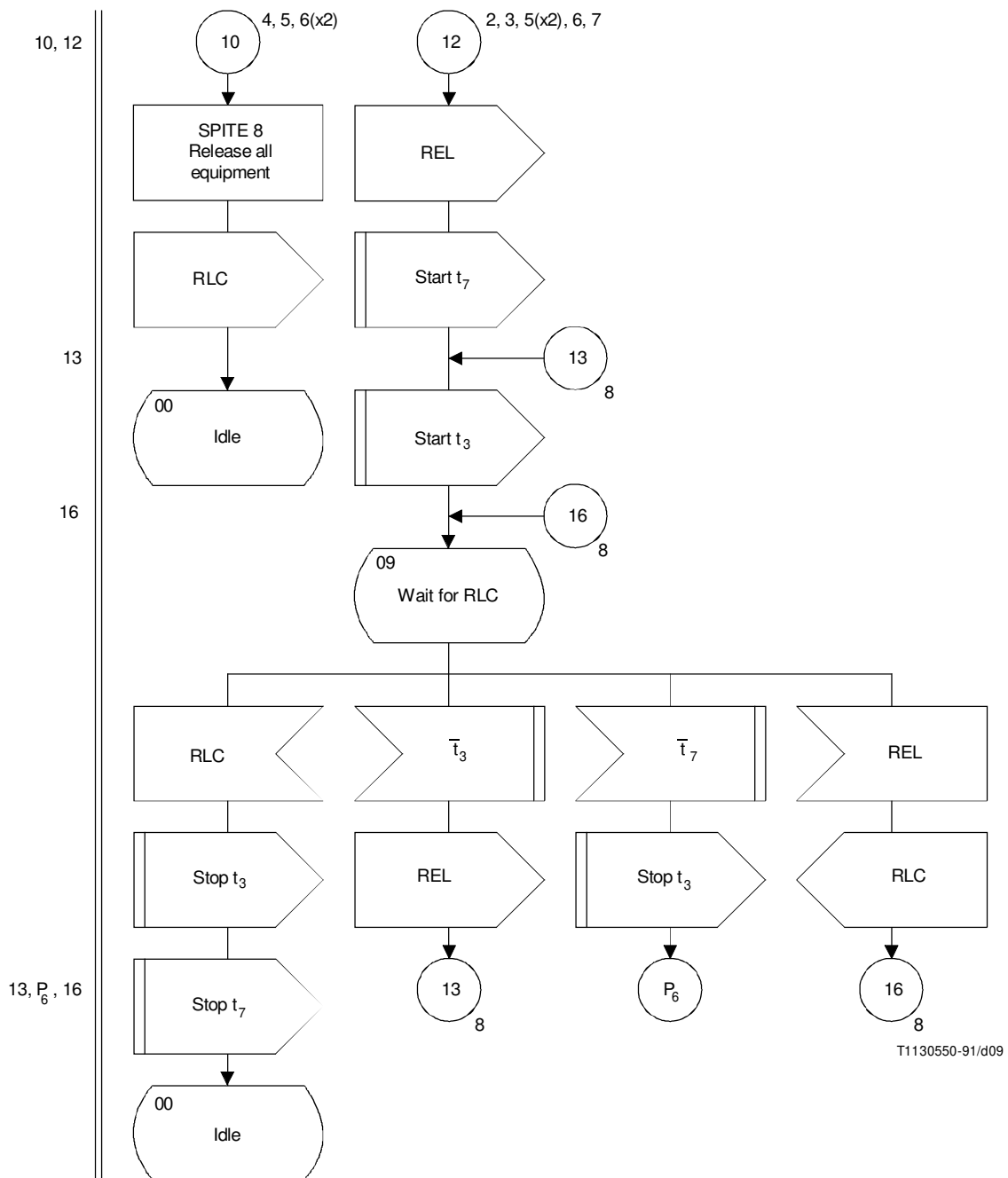


FIGURE 3/Q.627 (sheet 7 of 8)  
Outgoing Signalling System No. 7 (ISUP)



T1130550-91/d09

FIGURE 3/Q.627 (sheet 8 of 8)  
 Outgoing Signalling System No. 7 (ISUP)