

# **Unified Extensible Firmware Interface Specification**

Version 2.0  
January 31, 2006

# Acknowledgements

---

The material contained herein is not a license, either expressly or impliedly, to any intellectual property owned or controlled by any of the authors or developers of this material or to any contribution thereto. The material contained herein is provided on an "AS IS" basis and, to the maximum extent permitted by applicable law, this information is provided AS IS AND WITH ALL FAULTS, and the authors and developers of this material hereby disclaim all other warranties and conditions, either express, implied or statutory, including, but not limited to, any (if any) implied warranties, duties or conditions of merchantability, of fitness for a particular purpose, of accuracy or completeness of responses, of results, of workmanlike effort, of lack of viruses and of lack of negligence, all with regard to this material and any contribution thereto. Designers must not rely on the absence or characteristics of any features or instructions marked "reserved" or "undefined." The Unified EFI Forum, Inc. reserves any features or instructions so marked for future definition and shall have no responsibility whatsoever for conflicts or incompatibilities arising from future changes to them. ALSO, THERE IS NO WARRANTY OR CONDITION OF TITLE, QUIET ENJOYMENT, QUIET POSSESSION, CORRESPONDENCE TO DESCRIPTION OR NON-INFRINGEMENT WITH REGARD TO THE SPECIFICATION AND ANY CONTRIBUTION THERETO.

IN NO EVENT WILL ANY AUTHOR OR DEVELOPER OF THIS MATERIAL OR ANY CONTRIBUTION THERETO BE LIABLE TO ANY OTHER PARTY FOR THE COST OF PROCURING SUBSTITUTE GOODS OR SERVICES, LOST PROFITS, LOSS OF USE, LOSS OF DATA, OR ANY INCIDENTAL, CONSEQUENTIAL, DIRECT, INDIRECT, OR SPECIAL DAMAGES WHETHER UNDER CONTRACT, TORT, WARRANTY, OR OTHERWISE, ARISING IN ANY WAY OUT OF THIS OR ANY OTHER AGREEMENT RELATING TO THIS DOCUMENT, WHETHER OR NOT SUCH PARTY HAD ADVANCE NOTICE OF THE POSSIBILITY OF SUCH DAMAGES.

Copyright 2006 Unified EFI, Inc. All Rights Reserved.

# History

---

<b>Revision</b>	<b>Revision History</b>	<b>Date</b>
2.0	First release of UEFI Specification	January 31, 2006



# Table of Contents

---

<b>Acknowledgements</b> .....	<b>ii</b>
<b>History</b> .....	<b>iii</b>
<b>Table of Contents</b> .....	<b>v</b>
<b>1 Introduction</b> .....	<b>1</b>
1.1    UEFI Driver Model Extensions .....	2
1.2    Overview .....	3
1.3    Goals.....	6
1.4    Target Audience .....	8
1.5    UEFI Design Overview .....	9
1.6    UEFI Driver Model .....	10
1.6.1    UEFI Driver Model Goals.....	10
1.6.2    Legacy Option ROM Issues.....	11
1.7    Migration Requirements.....	11
1.7.1    Legacy Operating System Support.....	12
1.7.2    Supporting the UEFI Specification on a Legacy Platform .....	12
1.8    Conventions Used in This Document .....	12
1.8.1    Data Structure Descriptions.....	12
1.8.2    Protocol Descriptions.....	13
1.8.3    Procedure Descriptions .....	14
1.8.4    Instruction Descriptions .....	14
1.8.5    Pseudo-Code Conventions.....	15
1.8.6    Typographic Conventions .....	15
<b>2 Overview</b> .....	<b>17</b>
2.1    Boot Manager .....	18
2.1.1    UEFI Images.....	18
2.1.2    Applications.....	19
2.1.3    UEFI OS Loaders .....	20
2.1.4    UEFI Drivers .....	20
2.2    Firmware Core .....	21
2.2.1    UEFI Services .....	21
2.2.2    Runtime Services.....	22
2.3    Calling Conventions.....	23
2.3.1    Data Types.....	24
2.3.2    IA-32 Platforms .....	25
2.3.2.1    Handoff State.....	27
2.3.3    Itanium®-based Platforms .....	27
2.3.3.1    Handoff State.....	29
2.3.4    x64 Platforms .....	29
2.3.4.1    Handoff State.....	31
2.3.4.2    Detailed Calling Conventions .....	31
2.3.4.3    Enabling Paging or Alternate Translations in an Application .....	31
2.4    Protocols.....	32
2.5    UEFI Driver Model .....	36

2.5.1	Legacy Option ROM Issues.....	38
2.5.1.1	32-bit/16-Bit Real Mode Binaries.....	39
2.5.1.2	Fixed Resources for Working with Option ROMs.....	39
2.5.1.3	Matching Option ROMs to their Devices.....	39
2.5.1.4	Ties to PC-AT System Design.....	40
2.5.1.5	Ambiguities in Specification and Workarounds Born of Experience.....	41
2.5.2	Driver Initialization.....	41
2.5.3	Host Bus Controllers.....	42
2.5.4	Device Drivers.....	44
2.5.5	Bus Drivers.....	45
2.5.6	Platform Components.....	47
2.5.7	Hot-Plug Events.....	48
2.5.8	EFI Services Binding.....	48
2.6	Requirements.....	50
2.6.1	Required Elements.....	50
2.6.2	Platform-Specific Elements.....	51
2.6.3	Driver-Specific Elements.....	52
<b>3</b>	<b>Boot Manager.....</b>	<b>55</b>
3.1	Firmware Boot Manager.....	55
3.2	Globally Defined Variables.....	59
3.3	Boot Option Variables Default Behavior.....	61
3.4	Boot Mechanisms.....	62
3.4.1	Boot via the Simple File Protocol.....	62
3.4.1.1	Removable Media Boot Behavior.....	63
3.4.2	Boot via LOAD_FILE PROTOCOL.....	63
3.4.2.1	Network Booting.....	64
3.4.2.2	Future Boot Media.....	64
<b>4</b>	<b>EFI System Table.....</b>	<b>65</b>
4.1	UEFI Image Entry Point.....	65
	EFI_IMAGE_ENTRY_POINT.....	65
4.2	EFI Table Header.....	67
	EFI_TABLE_HEADER.....	67
4.3	EFI System Table.....	68
	EFI_SYSTEM_TABLE.....	69
4.4	EFI Boot Services Table.....	71
	EFI_BOOT_SERVICES.....	71
4.5	EFI Runtime Services Table.....	76
	EFI_RUNTIME_SERVICES.....	76
4.6	EFI Configuration Table.....	79
	EFI_CONFIGURATION_TABLE.....	79
4.7	Image Entry Point Examples.....	80
4.7.1	Image Entry Point Examples.....	80
4.7.2	UEFI Driver Model Example.....	82
4.7.3	UEFI Driver Model Example (Unloadable).....	83
4.7.4	EFI Driver Model Example (Multiple Instances).....	84
<b>5</b>	<b>GUID Partition Table (GPT) Format.....</b>	<b>87</b>
5.1	EFI Partition Formats.....	87
5.2	LBA 0 Format.....	87

5.2.1	Legacy Master Boot Record (MBR).....	87
5.2.2	Protective Master Boot Record.....	90
5.3	GUID Partition Table (GPT) Format.....	90
5.3.1	GUID Format overview.....	90
5.3.2	GPT Partition Table Header.....	93
5.3.3	GUID Partition Entry Array.....	95

## 6 Services — Boot Services ..... 97

6.1	Event, Timer, and Task Priority Services.....	98
	CreateEvent().....	103
	CreateEventEx().....	107
	CloseEvent().....	110
	SignalEvent().....	111
	WaitForEvent().....	112
	CheckEvent().....	114
	SetTimer().....	115
	RaiseTPL().....	117
	RestoreTPL().....	119
6.2	Memory Allocation Services.....	120
	AllocatePages().....	123
	FreePages().....	126
	GetMemoryMap().....	127
	AllocatePool().....	131
	FreePool().....	132
6.3	Protocol Handler Services.....	133
6.3.1	Driver Model Boot Services.....	135
	InstallProtocolInterface().....	138
	UninstallProtocolInterface().....	141
	ReinstallProtocolInterface().....	143
	RegisterProtocolNotify().....	145
	LocateHandle().....	147
	HandleProtocol().....	149
	LocateDevicePath().....	151
	OpenProtocol().....	153
	CloseProtocol().....	160
	OpenProtocolInformation().....	163
	ConnectController().....	165
	DisconnectController().....	170
	ProtocolsPerHandle().....	173
	LocateHandleBuffer().....	175
	LocateProtocol().....	178
	InstallMultipleProtocolInterfaces().....	179
	UninstallMultipleProtocolInterfaces().....	181
6.4	Image Services.....	182
	LoadImage().....	184
	StartImage().....	186
	UnloadImage().....	188
	EFI_IMAGE_ENTRY_POINT.....	189
	Exit().....	190
	ExitBootServices().....	192
6.5	Miscellaneous Boot Services.....	193
	SetWatchdogTimer().....	194

Stall()	196
CopyMem()	197
SetMem()	199
GetNextMonotonicCount()	200
InstallConfigurationTable()	201
CalculateCrc32()	203
<b>7 Services — Runtime Services</b>	<b>205</b>
7.1 Variable Services	206
GetVariable()	207
GetNextVariableName()	209
SetVariable()	211
QueryVariableInfo()	213
7.2 Time Services	214
GetTime()	215
SetTime()	218
GetWakeupTime()	219
SetWakeupTime()	220
7.3 Virtual Memory Services	221
SetVirtualAddressMap()	222
ConvertPointer()	224
7.4 Miscellaneous Runtime Services	225
7.4.1 Reset System	225
ResetSystem()	226
7.4.2 GetNextHighMotonic Count	227
GetNextHighMonotonicCount()	228
7.4.3 Update Capsule	229
UpdateCapsule()	230
7.4.3.1 Capsule Definition	233
QueryCapsuleCapabilities()	235
<b>8 Protocols — EFI Loaded Image</b>	<b>237</b>
EFI_LOADED_IMAGE_PROTOCOL	237
EFI_LOADED_IMAGE.Unload()	240
<b>9 Protocols — Device Path Protocol</b>	<b>241</b>
9.1 Device Path Overview	241
9.2 EFI Device Path Protocol	242
EFI_DEVICE_PATH_PROTOCOL	242
9.3 Device Path Nodes	243
9.3.1 Generic Device Path Structures	243
9.3.2 Hardware Device Path	245
9.3.2.1 PCI Device Path	245
9.3.2.2 PCCARD Device Path	245
9.3.2.3 Memory Mapped Device Path	246
9.3.2.4 Vendor Device Path	246
9.3.2.5 Controller Device Path	246
9.3.3 ACPI Device Path	247
9.3.4 ACPI_ADR Device Path	249
9.3.5 Messaging Device Path	250
9.3.5.1 ATAPI Device Path	250
9.3.5.2 SCSI Device Path	250



9.3.5.3	Fibre Channel Device Path .....	250
9.3.5.4	1394 Device Path .....	251
9.3.5.5	USB Device Paths .....	251
9.3.5.5.1	USB Device Path Example .....	252
9.3.5.6	USB Device Paths (WWID) .....	254
9.3.5.7	Device Logical Unit .....	254
9.3.5.8	USB Device Path (Class) .....	255
9.3.5.9	I2O Device Path .....	255
9.3.5.10	MAC Address Device Path .....	255
9.3.5.11	IPv4 Device Path .....	256
9.3.5.12	IPv6 Device Path .....	256
9.3.5.13	InfiniBand Device Path .....	257
9.3.5.14	UART Device Path .....	258
9.3.5.15	Vendor-Defined Messaging Device Path .....	258
9.3.5.16	UART Flow Control Messaging Path .....	259
9.3.5.17	Serial Attached SCSI (SAS) Device Path .....	260
9.3.5.17.1	Device and Topology Information .....	260
9.3.5.17.2	Device and Topology Information .....	261
9.3.5.17.3	Relative Target Port .....	261
9.3.5.17.4	Examples Of Correct Device Path Display Format .....	262
9.3.5.18	iSCSI Device Path .....	263
9.3.5.18.1	iSCSI Login Options .....	263
9.3.5.18.2	Device Path Examples .....	264
9.3.6	Media Device Path .....	264
9.3.6.1	Hard Drive .....	265
9.3.6.2	CD-ROM Media Device Path .....	266
9.3.6.3	Vendor-Defined Media Device Path .....	266
9.3.6.4	File Path Media Device Path .....	267
9.3.6.5	Media Protocol Device Path .....	267
9.3.7	BIOS Boot Specification Device Path .....	268
9.4	Device Path Generation Rules .....	269
9.4.1	Housekeeping Rules .....	269
9.4.2	Rules with ACPI _HID and _UID .....	269
9.4.3	Rules with ACPI _ADR .....	270
9.4.4	Hardware vs. Messaging Device Path Rules .....	271
9.4.5	Media Device Path Rules .....	271
9.4.6	Other Rules .....	271
9.5	EFI Device Path Display Format Overview .....	272
9.5.1	Design Discussion .....	272
9.5.1.1	Standardized Display Format .....	272
9.5.1.2	Readability .....	272
9.5.1.3	Round-Trip Conversion .....	273
9.5.1.4	Command-Line Parsing .....	273
9.5.1.5	Text Representation Basics .....	274
9.5.1.6	Text Device Node Reference .....	276
9.5.2	Code Definitions .....	288
	EFI_DEVICE_PATH_UTILITIES_PROTOCOL .....	289
	EFI_DEVICE_PATH_UTILITIES_PROTOCOL.GetDevicePathSize .....	291
	EFI_DEVICE_PATH_UTILITIES_PROTOCOL.DuplicateDevicePath .....	292
	EFI_DEVICE_PATH_UTILITIES_PROTOCOL.AppendDevicePath() .....	293
	EFI_DEVICE_PATH_UTILITIES_PROTOCOL.AppendDeviceNode() .....	294
	EFI_DEVICE_PATH_UTILITIES_PROTOCOL.AppendDevicePathInstance() .....	295

EFI_DEVICE_PATH_UTILITIES_PROTOCOL.GetNextDevicePathInstance().....	296
EFI_DEVICE_PATH_UTILITIES_PROTOCOL.CreateDeviceNode() .....	297
EFI_DEVICE_PATH_UTILITIES_PROTOCOL.IsDevicePathMultiInstance() .....	298
EFI_DEVICE_PATH_TO_TEXT_PROTOCOL .....	299
EFI_DEVICE_PATH_TO_TEXT_PROTOCOL.ConvertDeviceNodeToText() .....	300
EFI_DEVICE_PATH_TO_TEXT_PROTOCOL.ConvertDevicePathToText() .....	302
EFI_DEVICE_PATH_FROM_TEXT_PROTOCOL.....	304
EFI_DEVICE_PATH_FROM_TEXT_PROTOCOL.ConvertTextToDeviceNode () .....	305
EFI_DEVICE_PATH_FROM_PATH_PROTOCOL.ConvertTextToDevicePath () .....	306
<b>10 Protocols — UEFI Driver Model .....</b>	<b>307</b>
10.1 EFI Driver Binding Protocol .....	307
EFI_DRIVER_BINDING_PROTOCOL .....	307
EFI_DRIVER_BINDING_PROTOCOL.Supported().....	310
EFI_DRIVER_BINDING_PROTOCOL.Start().....	316
EFI_DRIVER_BINDING_PROTOCOL.Stop().....	324
10.2 EFI Platform Driver Override Protocol .....	329
EFI_PLATFORM_DRIVER_OVERRIDE_PROTOCOL.....	329
EFI_PLATFORM_DRIVER_OVERRIDE_PROTOCOL.GetDriver() .....	331
EFI_PLATFORM_DRIVER_OVERRIDE_PROTOCOL.GetDriverPath().....	333
EFI_PLATFORM_DRIVER_OVERRIDE_PROTOCOL.DriverLoaded() .....	335
10.3 EFI Bus Specific Driver Override Protocol.....	337
EFI_BUS_SPECIFIC_DRIVER_OVERRIDE_PROTOCOL .....	337
EFI_BUS_SPECIFIC_DRIVER_OVERRIDE_PROTOCOL.GetDriver().....	338
10.4 EFI Driver Configuration Protocol.....	339
EFI_DRIVER_CONFIGURATION_PROTOCOL.....	339
EFI_DRIVER_CONFIGURATION_PROTOCOL.SetOptions() .....	341
EFI_DRIVER_CONFIGURATION_PROTOCOL.OptionsValid().....	344
EFI_DRIVER_CONFIGURATION_PROTOCOL.ForceDefaults() .....	346
10.5 EFI Driver Diagnostics Protocol.....	349
EFI_DRIVER_DIAGNOSTICS_PROTOCOL .....	349
EFI_DRIVER_DIAGNOSTICS_PROTOCOL.RunDiagnostics() .....	350
10.6 EFI Component Name Protocol.....	353
EFI_COMPONENT_NAME_PROTOCOL .....	353
EFI_COMPONENT_NAME_PROTOCOL.GetDriverName() .....	354
EFI_COMPONENT_NAME_PROTOCOL.GetControllerName() .....	356
10.7 EFI Service Binding Protocol.....	357
EFI_SERVICE_BINDING_PROTOCOL.....	358
EFI_SERVICE_BINDING_PROTOCOL.CreateChild() .....	359
EFI_SERVICE_BINDING_PROTOCOL.DestroyChild() .....	363
<b>11 Protocols — Console Support .....</b>	<b>367</b>
11.1 Console I/O Protocol.....	367
11.1.1 Overview.....	367
11.1.2 ConsoleIn Definition.....	368
11.2 Simple Text Input Protocol.....	370
EFI_SIMPLE_TEXT_INPUT_PROTOCOL.....	370
EFI_SIMPLE_TEXT_INPUT_PROTOCOL.Reset() .....	371

EFI_SIMPLE_TEXT_INPUT.ReadKeyStroke().....	372
11.2.1 ConsoleOut or StandardError .....	374
11.3 Simple Text Output Protocol.....	374
EFI_SIMPLE_TEXT_OUTPUT_PROTOCOL .....	374
EFI_SIMPLE_TEXT_OUTPUT_PROTOCOL.Reset() .....	377
EFI_SIMPLE_TEXT_OUTPUT_PROTOCOL.OutputString() .....	378
EFI_SIMPLE_TEXT_OUTPUT_PROTOCOL.TestString() .....	382
EFI_SIMPLE_TEXT_OUTPUT_PROTOCOL.QueryMode().....	383
EFI_SIMPLE_TEXT_OUTPUT_PROTOCOL.SetMode() .....	384
EFI_SIMPLE_TEXT_OUTPUT_PROTOCOL.SetAttribute().....	385
EFI_SIMPLE_TEXT_OUTPUT_PROTOCOL.ClearScreen().....	387
EFI_SIMPLE_TEXT_OUTPUT_PROTOCOL.SetCursorPosition() .....	388
EFI_SIMPLE_TEXT_OUTPUT_PROTOCOL.EnableCursor().....	389
11.4 Simple Pointer Protocol .....	390
EFI_SIMPLE_POINTER_PROTOCOL.....	390
EFI_SIMPLE_POINTER_PROTOCOL.Reset() .....	392
EFI_SIMPLE_POINTER_PROTOCOL.GetState() .....	393
11.5 EFI Simple Pointer Device Paths .....	395
11.6 Serial I/O Protocol.....	399
EFI_SERIAL_IO_PROTOCOL .....	399
EFI_SERIAL_IO_PROTOCOL.Reset().....	402
EFI_SERIAL_IO_PROTOCOL.SetAttributes().....	403
EFI_SERIAL_IO_PROTOCOL.SetControl() .....	405
EFI_SERIAL_IO_PROTOCOL.GetControl().....	407
EFI_SERIAL_IO_PROTOCOL.Write() .....	409
EFI_SERIAL_IO_PROTOCOL.Read().....	410
11.7 Graphics Output Protocol .....	411
11.7.1 Blt Buffer .....	411
EFI_GRAPHICS_OUTPUT_PROTOCOL.....	413
EFI_GRAPHICS_OUTPUT_PROTOCOL.QueryMode() .....	417
EFI_GRAPHICS_OUTPUT_PROTOCOL.SetMode().....	419
EFI_GRAPHICS_OUTPUT_PROTOCOL.Blt() .....	421
EFI_EDID_DISCOVERED_PROTOCOL .....	424
EFI_EDID_ACTIVE_PROTOCOL.....	425
Graphics Output EDID Override Protocol.....	426
EFI_EDID_OVERRIDE_PROTOCOL.GetEdid() .....	427
11.8 Rules for PCI/AGP Devices.....	428
<b>12 Protocols — Media Access .....</b>	<b>433</b>
12.1 Load File Protocol.....	433
EFI_LOAD_FILE_PROTOCOL .....	433
EFI_LOAD_FILE_PROTOCOL.LoadFile().....	434
12.2 File System Format.....	436
12.2.1 System Partition.....	436
12.2.1.1 File System Format .....	437
12.2.1.2 File Names .....	437
12.2.1.3 Directory Structure.....	437
12.2.2 Partition Discovery .....	439
12.2.2.1 ISO-9660 and El Torito.....	440
12.2.3 Media Formats .....	440
12.2.3.1 Removable Media.....	440

12.2.3.2	Diskette.....	440
12.2.3.3	Hard Drive .....	441
12.2.3.4	CD-ROM and DVD-ROM.....	441
12.2.3.5	Network .....	441
12.3	Simple File System Protocol.....	442
	EFI_SIMPLE_FILE_SYSTEM_PROTOCOL .....	442
	EFI_SIMPLE_FILE_SYSTEM_PROTOCOL.OpenVolume() .....	444
12.4	EFI File Protocol .....	445
	EFI_FILE_PROTOCOL .....	445
	EFI_FILE_PROTOCOL.Open().....	447
	EFI_FILE_PROTOCOL.Close() .....	450
	EFI_FILE_PROTOCOL.Delete() .....	451
	EFI_FILE_PROTOCOL.Read().....	452
	EFI_FILE_PROTOCOL.Write().....	454
	EFI_FILE_PROTOCOL.SetPosition() .....	455
	EFI_FILE_PROTOCOL.GetPosition().....	456
	EFI_FILE_PROTOCOL.GetInfo().....	457
	EFI_FILE_PROTOCOL.SetInfo() .....	459
	EFI_FILE_PROTOCOL.Flush().....	461
	EFI_FILE_INFO.....	462
	EFI_FILE_SYSTEM_INFO.....	464
	EFI_FILE_SYSTEM_VOLUME_LABEL.....	465
12.5	Tape Boot Support.....	465
12.5.1	Tape I/O Support .....	465
12.5.2	Tape I/O Protocol.....	466
	EFI_TAPE_IO_PROTOCOL .....	467
	EFI_TAPE_IO_PROTOCOL.TapeRead().....	468
	EFI_TAPE_IO_PROTOCOL.TapeWrite() .....	470
	EFI_TAPE_IO_PROTOCOL.TapeRewind().....	472
	EFI_TAPE_IO_PROTOCOL.TapeSpace() .....	473
	EFI_TAPE_IO_PROTOCOL.TapeWriteFM() .....	475
	EFI_TAPE_IO_PROTOCOL.TapeReset() .....	476
12.5.3	Tape Header Format .....	477
12.6	Disk I/O Protocol.....	478
	EFI_DISK_IO_PROTOCOL.....	478
	EFI_DISK_IO_PROTOCOL.ReadDisk() .....	481
	EFI_DISK_IO_PROTOCOL.WriteDisk() .....	482
12.7	Block I/O Protocol.....	483
	EFI_BLOCK_IO_PROTOCOL.....	483
	EFI_BLOCK_IO_PROTOCOL.Reset().....	486
	EFI_BLOCK_IO_PROTOCOL.ReadBlocks().....	487
	EFI_BLOCK_IO_PROTOCOL.WriteBlocks() .....	489
	EFI_BLOCK_IO_PROTOCOL.FlushBlocks() .....	491
12.8	Unicode Collation Protocol .....	492
	EFI_UNICODE_COLLATION_PROTOCOL.....	492
	EFI_UNICODE_COLLATION_PROTOCOL.StriColl() .....	494
	EFI_UNICODE_COLLATION_PROTOCOL.MetaiMatch() .....	495
	EFI_UNICODE_COLLATION_PROTOCOL.StrLwr() .....	497
	EFI_UNICODE_COLLATION_PROTOCOL.StrUpr() .....	498
	EFI_UNICODE_COLLATION_PROTOCOL.FatToStr() .....	499
	EFI_UNICODE_COLLATION_PROTOCOL.StrToFat().....	500

<b>13 Protocols — PCI Bus Support.....</b>	<b>501</b>
13.1 PCI Root Bridge I/O Support .....	501
13.1.1 PCI Root Bridge I/O Overview .....	501
13.1.1.1 Sample PCI Architectures .....	504
13.2 PCI Root Bridge I/O Protocol.....	508
EFI_PCI_ROOT_BRIDGE_IO_PROTOCOL .....	508
EFI_PCI_ROOT_BRIDGE_IO_PROTOCOL.PollMem().....	517
EFI_PCI_ROOT_BRIDGE_IO_PROTOCOL.PollIo().....	519
EFI_PCI_ROOT_BRIDGE_IO_PROTOCOL.Mem.Read()	
EFI_PCI_ROOT_BRIDGE_IO_PROTOCOL.Mem.Write() .....	521
EFI_PCI_ROOT_BRIDGE_IO_PROTOCOL.Io.Read()	
EFI_PCI_ROOT_BRIDGE_IO_PROTOCOL.Io.Write() .....	523
EFI_PCI_ROOT_BRIDGE_IO_PROTOCOL.Pci.Read()	
EFI_PCI_ROOT_BRIDGE_IO_PROTOCOL.Pci.Write() .....	525
EFI_PCI_ROOT_BRIDGE_IO_PROTOCOL.CopyMem() .....	527
EFI_PCI_ROOT_BRIDGE_IO_PROTOCOL.Map().....	529
EFI_PCI_ROOT_BRIDGE_IO_PROTOCOL.Unmap() .....	531
EFI_PCI_ROOT_BRIDGE_IO_PROTOCOL.AllocateBuffer() .....	532
EFI_PCI_ROOT_BRIDGE_IO_PROTOCOL.FreeBuffer().....	534
EFI_PCI_ROOT_BRIDGE_IO_PROTOCOL.Flush() .....	535
EFI_PCI_ROOT_BRIDGE_IO_PROTOCOL.GetAttributes().....	536
EFI_PCI_ROOT_BRIDGE_IO_PROTOCOL.SetAttributes() .....	538
EFI_PCI_ROOT_BRIDGE_IO_PROTOCOL.Configuration() .....	540
13.2.1 PCI Root Bridge Device Paths.....	542
13.3 PCI Driver Model .....	546
13.3.1 PCI Driver Initialization .....	546
13.3.1.1 Driver Configuration Protocol .....	548
13.3.1.2 Driver Diagnostics Protocol .....	548
13.3.1.3 Component Name Protocol .....	548
13.3.2 PCI Bus Drivers .....	549
13.3.2.1 Driver Binding Protocol for PCI Bus Drivers.....	550
13.3.2.2 PCI Enumeration .....	553
13.3.3 PCI Device Drivers .....	553
13.3.3.1 Driver Binding Protocol for PCI Device Drivers.....	553
13.4 EFI PCI I/O Protocol .....	555
EFI_PCI_IO_PROTOCOL.....	556
EFI_PCI_IO_PROTOCOL.PollMem() .....	566
EFI_PCI_IO_PROTOCOL.PollIo() .....	568
EFI_PCI_IO_PROTOCOL.Mem.Read()	
EFI_PCI_IO_PROTOCOL.Mem.Write() .....	570
EFI_PCI_IO_PROTOCOL.Io.Read() EFI_PCI_IO_PROTOCOL.Io.Write().....	572
EFI_PCI_IO_PROTOCOL.Pci.Read() EFI_PCI_IO_PROTOCOL.Pci.Write().....	574
EFI_PCI_IO_PROTOCOL.CopyMem().....	576
EFI_PCI_IO_PROTOCOL.Map() .....	579
EFI_PCI_IO_PROTOCOL.Unmap().....	581
EFI_PCI_IO_PROTOCOL.AllocateBuffer().....	582
EFI_PCI_IO_PROTOCOL.FreeBuffer() .....	584
EFI_PCI_IO_PROTOCOL.Flush() .....	585
EFI_PCI_IO_PROTOCOL.GetLocation().....	586
EFI_PCI_IO_PROTOCOL.Attributes() .....	587
EFI_PCI_IO_PROTOCOL.GetBarAttributes() .....	590
EFI_PCI_IO_PROTOCOL.SetBarAttributes().....	593

13.4.1	PCI Device Paths.....	595
13.4.2	PCI Option ROMs.....	597
13.4.2.1	PCI Bus Driver Responsibilities.....	600
13.4.2.2	PCI Device Driver Responsibilities.....	600
13.4.3	Nonvolatile Storage .....	603
13.4.4	PCI Hot-Plug Events.....	604
<b>14</b>	<b>Protocols — SCSI Driver Models and Bus Support.....</b>	<b>605</b>
14.1	SCSI Driver Model Overview.....	605
14.2	SCSI Bus Drivers.....	606
14.2.1	Driver Binding Protocol for SCSI Bus Drivers.....	606
14.2.2	SCSI Enumeration .....	607
14.3	SCSI Device Drivers.....	608
14.3.1	Driver Binding Protocol for SCSI Device Drivers.....	608
14.4	EFI SCSI I/O Protocol Overview.....	608
14.5	EFI_SCSI_IO_PROTOCOL.....	609
14.5.1	EFI_SCSI_IO_PROTOCOL.GetDeviceType() .....	611
14.5.2	EFI_SCSI_IO_PROTOCOL.GetDeviceLocation().....	613
14.5.3	EFI_SCSI_IO_PROTOCOL.ResetBus().....	614
14.5.4	EFI_SCSI_IO_PROTOCOL.ResetDevice().....	615
14.5.5	EFI_SCSI_IO_PROTOCOL.ExecuteScsiCommand().....	616
14.6	SCSI Device Paths .....	621
14.6.1	SCSI Device Path Example .....	621
14.6.2	ATAPI Device Path Example .....	622
14.6.3	Fibre Channel Device Path Example.....	623
14.6.4	InfiniBand Device Path Example .....	624
14.7	SCSI Pass Thru Device Paths.....	625
14.8	Extended SCSI Pass Thru Protocol .....	628
	EFI_EXT_SCSI_PASS_THRU_PROTOCOL .....	628
	EFI_EXT_SCSI_PASS_THRU_PROTOCOL.PassThru() .....	632
	EFI_EXT_SCSI_PASS_THRU_PROTOCOL.GetNextTargetLun() .....	638
	EFI_EXT_SCSI_PASS_THRU_PROTOCOL.BuildDevicePath() .....	640
	EFI_EXT_SCSI_PASS_THRU_PROTOCOL.GetTargetLun().....	642
	EFI_EXT_SCSI_PASS_THRU_PROTOCOL.ResetChannel().....	644
	EFI_EXT_SCSI_PASS_THRU_PROTOCOL.ResetTargetLun().....	645
	EFI_EXT_SCSI_PASS_THRU_PROTOCOL.GetNextTarget() .....	647
<b>15</b>	<b>Protocols — iSCSI Boot.....</b>	<b>649</b>
15.1	Overview.....	649
15.1.1	iSCSI UEFI Driver Layering.....	649
15.2	EFI iSCSI Initiator Name Protocol .....	649
	EFI_ISCSI_INITIATOR_NAME_PROTOCOL.....	650
	EFI_ISCSI_INITIATOR_NAME_PROTOCOL.Get() .....	651
	EFI_ISCSI_INITIATOR_NAME_PROTOCOL.Set().....	652
<b>16</b>	<b>Protocols — USB Support.....</b>	<b>653</b>
16.1	USB2 Host Controller Protocol .....	653
16.1.1	USB Host Controller Protocol Overview .....	653
	EFI_USB2_HC_PROTOCOL .....	654
	EFI_USB2_HC_PROTOCOL.GetCapability().....	656
	EFI_USB2_HC_PROTOCOL.Reset().....	658
	EFI_USB2_HC_PROTOCOL.GetState() .....	661

EFI_USB2_HC_PROTOCOL.SetState()	663
EFI_USB2_HC_PROTOCOL.ControlTransfer()	665
EFI_USB2_HC_PROTOCOL.BulkTransfer()	668
EFI_USB2_HC_PROTOCOL.AsyncInterruptTransfer()	671
EFI_USB2_HC_PROTOCOL.SyncInterruptTransfer()	674
EFI_USB2_HC_PROTOCOL.IsochronousTransfer()	676
EFI_USB2_HC_PROTOCOL.AsyncIsochronousTransfer()	679
EFI_USB2_HC_PROTOCOL.GetRootHubPortStatus()	682
EFI_USB2_HC_PROTOCOL.SetRootHubPortFeature()	686
EFI_USB2_HC_PROTOCOL.ClearRootHubPortFeature()	688
16.2 USB Driver Model	690
16.2.1 Scope	690
16.2.2 USB Bus Driver	691
16.2.2.1 USB Bus Driver Entry Point	691
16.2.2.2 Driver Binding Protocol for USB Bus Drivers	691
16.2.2.3 USB Hot-Plug Event	692
16.2.2.4 USB Bus Enumeration	692
16.2.3 USB Device Driver	693
16.2.3.1 USB Device Driver Entry Point	693
16.2.3.2 Driver Binding Protocol for USB Device Drivers	693
16.2.4 EFI USB I/O Protocol Overview	693
EFI_USB_IO Protocol	694
EFI_USB_IO_PROTOCOL.UsbControlTransfer()	696
EFI_USB_IO_PROTOCOL.UsbBulkTransfer()	699
EFI_USB_IO_PROTOCOL.UsbAsyncInterruptTransfer()	701
EFI_USB_IO_PROTOCOL.UsbSyncInterruptTransfer()	705
EFI_USB_IO_PROTOCOL.UsbIsochronousTransfer()	707
EFI_USB_IO_PROTOCOL.UsbAsyncIsochronousTransfer()	709
EFI_USB_IO_PROTOCOL.UsbGetDeviceDescriptor()	711
EFI_USB_IO_PROTOCOL.UsbGetConfigDescriptor()	713
EFI_USB_IO_PROTOCOL.UsbGetInterfaceDescriptor()	715
EFI_USB_IO_PROTOCOL.UsbGetEndpointDescriptor()	717
EFI_USB_IO_PROTOCOL.UsbGetStringDescriptor()	719
EFI_USB_IO_PROTOCOL.UsbGetSupportedLanguages()	720
EFI_USB_IO_PROTOCOL.UsbPortReset()	721

## **17 Protocols — Debugger Support..... 723**

17.1 Overview	723
17.2 EFI Debug Support Protocol	724
17.2.1 EFI Debug Support Protocol Overview	724
EFI_DEBUG_SUPPORT_PROTOCOL	725
EFI_DEBUG_SUPPORT_PROTOCOL.GetMaximumProcessorIndex()	727
EFI_DEBUG_SUPPORT_PROTOCOL.RegisterPeriodicCallback()	728
EFI_DEBUG_SUPPORT_PROTOCOL.RegisterExceptionCallback()	733
EFI_DEBUG_SUPPORT_PROTOCOL.InvalidateInstructionCache()	737
17.3 EFI Debugport Protocol	738
EFI Debugport Overview	738
EFI_DEBUGPORT_PROTOCOL	739
EFI_DEBUGPORT_PROTOCOL.Reset()	740
EFI_DEBUGPORT_PROTOCOL.Write()	741
EFI_DEBUGPORT_PROTOCOL.Read()	742
EFI_DEBUGPORT_PROTOCOL.Poll()	743

17.3.1	Debugport Device Path.....	744
	EFI Debugport Variable .....	745
17.4	EFI Debug Support Table.....	746
	Overview .....	746
	EFI System Table Location.....	747
	EFI Image Info .....	748
<b>18</b>	<b>Protocols — Compression Algorithm Specification.....</b>	<b>751</b>
18.1	Algorithm Overview.....	751
18.2	Data Format.....	753
18.2.1	Bit Order.....	753
18.2.2	Overall Structure .....	753
18.2.3	Block Structure.....	754
18.2.3.1	Block Header .....	754
18.2.3.2	Block Body.....	757
18.3	Compressor Design .....	758
18.3.1	Overall Process.....	758
18.3.2	String Info Log.....	759
18.3.2.1	Data Structures.....	760
18.3.2.2	Searching the Tree .....	761
18.3.2.3	Adding String Info .....	761
18.3.2.4	Deleting String Info .....	762
18.3.3	Huffman Code Generation.....	763
18.3.3.1	Huffman Tree Generation.....	763
18.3.3.2	Code Length Adjustment.....	763
18.3.3.3	Code Generation .....	764
18.4	Decompressor Design .....	765
18.5	Decompress Protocol .....	765
	EFI_DECOMPRESS_PROTOCOL.....	766
	EFI_DECOMPRESS_PROTOCOL.GetInfo() .....	767
	EFI_DECOMPRESS_PROTOCOL.Decompress() .....	769
<b>19</b>	<b>EFI Byte Code Virtual Machine .....</b>	<b>771</b>
19.1	Overview.....	771
19.1.1	Processor Architecture Independence .....	771
19.1.2	OS Independent.....	771
19.1.3	EFI Compliant .....	772
19.1.4	Coexistence of Legacy Option ROMs .....	772
19.1.5	Relocatable Image.....	772
19.1.6	Size Restrictions Based on Memory Available .....	772
19.2	Memory Ordering.....	773
19.3	Virtual Machine Registers.....	773
19.4	Natural Indexing.....	775
19.4.1	Sign Bit.....	775
19.4.2	Bits Assigned to Natural Units .....	776
19.4.3	Constant.....	776
19.4.4	Natural Units .....	776
19.5	EBC Instruction Operands .....	777
19.5.1	Direct Operands.....	777
19.5.2	Indirect Operands .....	777
19.5.3	Indirect with Index Operands .....	778
19.5.4	Immediate Operands .....	778



19.6	EBC Instruction Syntax.....	778
19.7	Instruction Encoding.....	779
19.7.1	Instruction Opcode Byte Encoding.....	779
19.7.2	Instruction Operands Byte Encoding.....	780
19.7.3	Index/Immediate Data Encoding.....	780
19.8	EBC Instruction Set.....	780
	ADD.....	781
	AND.....	782
	ASHR.....	783
	BREAK.....	784
	CALL.....	786
	CMP.....	789
	CMPI.....	791
	DIV.....	793
	DIVU.....	794
	EXTNDB.....	795
	EXTNDD.....	796
	EXTNDW.....	797
	JMP.....	798
	JMP8.....	800
	LOADSP.....	801
	MOD.....	802
	MODU.....	803
	MOV.....	804
	MOVI.....	806
	MOVIn.....	808
	MOVn.....	810
	MOVREL.....	812
	MOVsn.....	813
	MUL.....	815
	MULU.....	816
	NEG.....	817
	NOT.....	818
	OR.....	819
	POP.....	820
	POPn.....	821
	PUSH.....	822
	PUSHn.....	823
	RET.....	824
	SHL.....	825
	SHR.....	826
	STORESP.....	827
	SUB.....	828
	XOR.....	829
19.9	Runtime and Software Conventions.....	830
19.9.1	Calling Outside VM.....	830
19.9.2	Calling Inside VM.....	830
19.9.3	Parameter Passing.....	830
19.9.4	Return Values.....	830
19.9.5	Binary Format.....	830
19.10	Architectural Requirements.....	830
19.10.1	EBC Image Requirements.....	831

19.10.2	EBC Execution Interfacing Requirements .....	831
19.10.3	Interfacing Function Parameters Requirements .....	831
19.10.4	Function Return Requirements.....	831
19.10.5	Function Return Values Requirements.....	832
19.11	EBC Interpreter Protocol.....	832
	EFI_EBC_PROTOCOL .....	833
	EFI_EBC_PROTOCOL.CreateThunk() .....	834
	EFI_EBC_PROTOCOL.UnloadImage() .....	835
	EFI_EBC_PROTOCOL.RegisterICacheFlush() .....	836
	EFI_EBC_PROTOCOL.GetVersion().....	838
19.12	EBC Tools.....	839
19.12.1	EBC C Compiler.....	839
19.12.2	C Coding Convention.....	839
19.12.3	EBC Interface Assembly Instructions .....	839
19.12.4	Stack Maintenance and Argument Passing.....	839
19.12.5	Native to EBC Arguments Calling Convention .....	840
19.12.6	EBC to Native Arguments Calling Convention .....	840
19.12.7	EBC to EBC Arguments Calling Convention .....	840
19.12.8	Function Returns .....	840
19.12.9	Function Return Values .....	840
19.12.10	Thinking.....	841
	19.12.10.1    Thinking EBC to Native Code.....	841
	19.12.10.2    Thinking Native Code to EBC.....	842
	19.12.10.3    Thinking EBC to EBC .....	842
19.12.11	EBC Linker .....	843
19.12.12	Image Loader .....	843
19.12.13	Debug Support .....	843
19.13	VM Exception Handling .....	844
19.13.1	Divide By 0 Exception.....	844
19.13.2	Debug Break Exception .....	844
19.13.3	Invalid Opcode Exception .....	844
19.13.4	Stack Fault Exception .....	844
19.13.5	Alignment Exception .....	844
19.13.6	Instruction Encoding Exception .....	844
19.13.7	Bad Break Exception .....	845
19.13.8	Undefined Exception.....	845
19.14	Option ROM Formats.....	845
19.14.1	EFI Drivers for PCI Add-in Cards.....	845
19.14.2	Non-PCI Bus Support .....	845

## **20 Network Protocols — SNP, PXE and BIS..... 847**

20.1	EFI_SIMPLE_NETWORK_PROTOCOL .....	847
	EFI_SIMPLE_NETWORK_PROTOCOL .....	847
	EFI_SIMPLE_NETWORK.Start() .....	852
	EFI_SIMPLE_NETWORK.Stop() .....	853
	EFI_SIMPLE_NETWORK.Initialize().....	854
	EFI_SIMPLE_NETWORK.Reset() .....	855
	EFI_SIMPLE_NETWORK.Shutdown().....	856
	EFI_SIMPLE_NETWORK.ReceiveFilters().....	857
	EFI_SIMPLE_NETWORK.StationAddress() .....	860
	EFI_SIMPLE_NETWORK.Statistics() .....	861
	EFI_SIMPLE_NETWORK.MCastIPtoMAC().....	864

EFI_SIMPLE_NETWORK.NvData()	865
EFI_SIMPLE_NETWORK.GetStatus()	867
EFI_SIMPLE_NETWORK.Transmit()	869
EFI_SIMPLE_NETWORK.Receive()	871
20.2 Network Interface Identifier Protocol	873
EFI_NETWORK_INTERFACE_IDENTIFIER_PROTOCOL	873
20.3 PXE Base Code Protocol	876
EFI_PXE_BASE_CODE_PROTOCOL	876
EFI_PXE_BASE_CODE_PROTOCOL.Start()	888
EFI_PXE_BASE_CODE_PROTOCOL.Stop()	891
EFI_PXE_BASE_CODE_PROTOCOL.Dhcp()	892
EFI_PXE_BASE_CODE_PROTOCOL.Discover()	894
EFI_PXE_BASE_CODE_PROTOCOL.Mtftp()	898
EFI_PXE_BASE_CODE_PROTOCOL.UdpWrite()	902
EFI_PXE_BASE_CODE_PROTOCOL.UdpRead()	905
EFI_PXE_BASE_CODE_PROTOCOL.SetIpFilter()	908
EFI_PXE_BASE_CODE_PROTOCOL.Arp()	910
EFI_PXE_BASE_CODE_PROTOCOL.SetParameters()	912
EFI_PXE_BASE_CODE_PROTOCOL.SetStationIp()	914
EFI_PXE_BASE_CODE_PROTOCOL.SetPackets()	916
20.4 PXE Base Code Callback Protocol	918
EFI_PXE_BASE_CODE_CALLBACK_PROTOCOL	918
EFI_PXE_BASE_CODE_CALLBACK.Callback()	919
20.5 Boot Integrity Services Protocol	921
EFI_BIS_PROTOCOL	921
EFI_BIS_PROTOCOL.Initialize()	924
EFI_BIS_PROTOCOL.Shutdown()	928
EFI_BIS_PROTOCOL.Free()	930
EFI_BIS_PROTOCOL.GetBootObjectAuthorizationCertificate()	931
EFI_BIS_PROTOCOL.GetBootObjectAuthorizationCheckFlag()	932
EFI_BIS_PROTOCOL.GetBootObjectAuthorizationUpdateToken()	933
EFI_BIS_PROTOCOL.GetSignatureInfo()	934
EFI_BIS_PROTOCOL.UpdateBootObjectAuthorization()	939
EFI_BIS_PROTOCOL.VerifyBootObject()	948
EFI_BIS_PROTOCOL.VerifyObjectWithCredential()	955

## **21 Network Protocols — Managed Network ..... 963**

21.1 EFI Managed Network Protocol	963
EFI_MANAGED_NETWORK_SERVICE_BINDING_PROTOCOL	963
EFI_MANAGED_NETWORK_PROTOCOL	964
EFI_MANAGED_NETWORK_PROTOCOL.GetModeData()	966
EFI_MANAGED_NETWORK_PROTOCOL.Configure()	969
EFI_MANAGED_NETWORK_PROTOCOL.McastIpToMac()	971
EFI_MANAGED_NETWORK_PROTOCOL.Groups()	973
EFI_MANAGED_NETWORK_PROTOCOL.Transmit()	975
EFI_MANAGED_NETWORK_PROTOCOL.Receive()	981
EFI_MANAGED_NETWORK_PROTOCOL.Cancel()	982
EFI_MANAGED_NETWORK_PROTOCOL.Poll()	983

## **22 Network Protocols — ARP and DHCPv4..... 985**

22.1 ARP Protocol	985
-------------------	-----

EFI_ARP_SERVICE_BINDING_PROTOCOL .....	985
EFI_ARP_PROTOCOL .....	986
Description .....	987
EFI_ARP_PROTOCOL.Configure() .....	988
EFI_ARP_PROTOCOL.Add() .....	990
EFI_ARP_PROTOCOL.Find().....	992
Related Definitions.....	993
EFI_ARP_PROTOCOL.Delete() .....	994
EFI_ARP_PROTOCOL.Flush().....	995
EFI_ARP_PROTOCOL.Request() .....	996
EFI_ARP_PROTOCOL.Cancel() .....	998
22.2 EFI DHCPv4 Protocol.....	999
EFI_DHCP4_SERVICE_BINDING_PROTOCOL.....	999
EFI_DHCP4_PROTOCOL.....	1000
EFI_DHCP4_PROTOCOL.GetModeData() .....	1002
EFI_DHCP4_PROTOCOL.Configure() .....	1006
EFI_DHCP4_PROTOCOL.Start() .....	1016
EFI_DHCP4_PROTOCOL.RenewRebind() .....	1018
EFI_DHCP4_PROTOCOL.Release().....	1020
EFI_DHCP4_PROTOCOL.Stop() .....	1021
EFI_DHCP4_PROTOCOL.Build() .....	1022
EFI_DHCP4_PROTOCOL.TransmitReceive().....	1024
EFI_DHCP4_PROTOCOL.Parse() .....	1027
<b>23 Network Protocols —TCPv4, IPv4 and Configuration .....</b>	<b>1029</b>
23.1 EFI TCPv4 Protocol.....	1029
EFI_TCP4_SERVICE_BINDING_PROTOCOL.....	1029
EFI TCP4 Variable.....	1030
EFI_TCP4_PROTOCOL.....	1032
EFI_TCP4_PROTOCOL.GetModeData() .....	1034
EFI_TCP4_PROTOCOL.Configure() .....	1040
EFI_TCP4_PROTOCOL.Routes() .....	1042
EFI_TCP4_PROTOCOL.Connect() .....	1044
EFI_TCP4_PROTOCOL.Accept().....	1047
EFI_TCP4_PROTOCOL.Transmit().....	1049
EFI_TCP4_PROTOCOL.Receive().....	1054
EFI_TCP4_PROTOCOL.Close().....	1056
EFI_TCP4_PROTOCOL.Cancel().....	1058
EFI_TCP4_PROTOCOL.Poll().....	1059
23.2 EFI IPv4 Protocol.....	1060
EFI_IP4_SERVICE_BINDING_PROTOCOL .....	1060
EFI IPv4 Variable.....	1061
EFI_IP4_PROTOCOL.....	1062
EFI_IP4_PROTOCOL.GetModeData() .....	1064
EFI_IP4_PROTOCOL.Configure() .....	1069
EFI_IP4_PROTOCOL.Groups().....	1071
EFI_IP4_PROTOCOL.Routes() .....	1073
EFI_IP4_PROTOCOL.Transmit().....	1075
EFI_IP4_PROTOCOL.Receive().....	1082
EFI_IP4_PROTOCOL.Cancel() .....	1084

	EFI_IP4_PROTOCOL.Poll().....	1085
23.3	EFI IPv4 Configuration Protocol .....	1085
	EFI_IP4_CONFIG_PROTOCOL .....	1086
	EFI_IP4_CONFIG_PROTOCOL.Start() .....	1087
	EFI_IP4_CONFIG_PROTOCOL.Stop() .....	1089
	EFI_IP4_CONFIG_PROTOCOL.GetData() .....	1090
	Related Definitions.....	1090
<b>24</b>	<b>Network Protocols — UDPv4 and MTFTPv4.....</b>	<b>1093</b>
24.1	EFI UDPv4 Protocol.....	1093
	EFI_UDP4_SERVICE_BINDING_PROTOCOL .....	1093
	EFI UDP4 Variable .....	1093
	EFI_UDP4_PROTOCOL .....	1096
	EFI_UDP4_PROTOCOL.GetModeData() .....	1098
	EFI_UDP4_PROTOCOL.Configure().....	1101
	EFI_UDP4_PROTOCOL.Groups().....	1103
	EFI_UDP4_PROTOCOL.Routes() .....	1105
	EFI_UDP4_PROTOCOL.Transmit() .....	1107
	EFI_UDP4_PROTOCOL.Receive() .....	1113
	EFI_UDP4_PROTOCOL.Cancel() .....	1115
	EFI_UDP4_PROTOCOL.Poll() .....	1116
24.2	EFI MTFTPv4 Protocol .....	1117
	EFI_MTFTP4_SERVICE_BINDING_PROTOCOL.....	1117
	EFI_MTFTP4_PROTOCOL .....	1118
	EFI_MTFTP4_PROTOCOL.GetModeData() .....	1120
	EFI_MTFTP4_PROTOCOL.Configure() .....	1123
	EFI_MTFTP4_PROTOCOL.GetInfo() .....	1125
	EFI_MTFTP4_PROTOCOL.ParseOptions() .....	1134
	EFI_MTFTP4_PROTOCOL.ReadFile().....	1136
	EFI_MTFTP4_PROTOCOL.WriteFile().....	1142
	EFI_MTFTP4_PROTOCOL.ReadDirectory() .....	1144
	EFI_MTFTP4_PROTOCOL.Poll() .....	1146
<b>25</b>	<b>Security — Secure Boot, Driver Signing and Hash .....</b>	<b>1147</b>
25.1	Secure Boot.....	1147
	EFI_AUTHENTICATION_INFO_PROTOCOL .....	1147
	EFI_AUTHENTICATION_INFO_PROTOCOL.Get().....	1148
	EFI_AUTHENTICATION_INFO_PROTOCOL.Set() .....	1149
25.2	UEFI Driver Signing Overview.....	1152
25.2.1	Digital Signatures.....	1153
25.2.2	Embedded Signatures .....	1154
25.2.3	Creating Message from Executables.....	1155
25.2.4	Code Definitions .....	1155
	WIN_CERTIFICATE.....	1156
	WIN_CERTIFICATE_EFI_PKCS1_15 .....	1157
25.2.5	WIN_CERTIFICATE_UEFI_GUID .....	1157
25.3	Hash Overview .....	1158
25.3.1	Hash References .....	1158
25.4	EFI Hash Protocols.....	1159
	EFI_HASH_SERVICE_BINDING_PROTOCOL.....	1159
	EFI_HASH_PROTOCOL .....	1160

EFI_HASH_PROTOCOL.GetHashSize().....	1161
EFI_HASH_PROTOCOL.Hash().....	1162
25.4.1 Other Code Definitions .....	1164
EFI_SHA1_HASH, EFI_SHA224_HASH, EFI_SHA256_HASH,	
EFI_SHA384_HASH, EFI_SHA512HASH, EFI_MD5_HASH .....	1164
25.4.1.1 EFI Hash Algorithms.....	1165
<b>Appendix A GUID and Time Formats .....</b>	<b>1167</b>
<b>Appendix B Console .....</b>	<b>1169</b>
B.1 Simple _Input Protocol.....	1169
B.2 SIMPLE_TEXT_OUTPUT.....	1170
<b>Appendix C Device Path Examples .....</b>	<b>1173</b>
C.1 Example Computer System .....	1173
C.2 Legacy Floppy .....	1174
C.3 IDE Disk.....	1175
C.4 Secondary Root PCI Bus with PCI to PCI Bridge.....	1177
C.5 ACPI Terms .....	1178
C.6 EFI Device Path as a Name Space .....	1179
<b>Appendix D Status Codes .....</b>	<b>1181</b>
<b>Appendix E Universal Network Driver Interfaces.....</b>	<b>1185</b>
E.1 Introduction .....	1185
E.1.1 Definitions .....	1185
E.1.2 Referenced Specifications .....	1187
E.1.3 OS Network Stacks.....	1189
E.2 Overview .....	1191
E.2.1 32/64-bit UNDI Interface .....	1191
E.2.1.1 Issuing UNDI Commands.....	1195
E.2.2 UNDI Command Format .....	1196
E.3 UNDI C Definitions.....	1198
E.3.1 Portability Macros .....	1198
E.3.1.1 PXE_INTEL_ORDER or PXE_NETWORK_ORDER .....	1198
E.3.1.2 PXE_UINT64_SUPPORT or PXE_NO_UINT64_SUPPORT.....	1198
E.3.1.3 PXE_BUSTYPE.....	1199
E.3.1.4 PXE_SWAP_UINT16 .....	1199
E.3.1.5 PXE_SWAP_UINT32 .....	1200
E.3.1.6 PXE_SWAP_UINT64 .....	1200
E.3.2 Miscellaneous Macros .....	1201
E.3.2.1 Miscellaneous.....	1201
E.3.3 Portability Types .....	1201
E.3.3.1 PXE_CONST.....	1201
E.3.3.2 PXE_VOLATILE .....	1201
E.3.3.3 PXE_VOID.....	1202
E.3.3.4 PXE_UINT8 .....	1202
E.3.3.5 PXE_UINT16 .....	1202
E.3.3.6 PXE_UINT32 .....	1202
E.3.3.7 PXE_UINT64 .....	1202
E.3.3.8 PXE_UINTN .....	1202
E.3.4 Simple Types .....	1203

E.3.4.1	PXE_BOOL .....	1203
E.3.4.2	PXE_OPCODE .....	1203
E.3.4.3	PXE_OPFLAGS .....	1204
E.3.4.4	PXE_STATFLAGS .....	1209
E.3.4.5	PXE_STATCODE .....	1213
E.3.4.6	PXE_IFNUM .....	1213
E.3.4.7	PXE_CONTROL .....	1214
E.3.4.8	PXE_FRAME_TYPE .....	1214
E.3.4.9	PXE_IPV4 .....	1214
E.3.4.10	PXE_IPV6 .....	1214
E.3.4.11	PXE_MAC_ADDR .....	1214
E.3.4.12	PXE_IFTYPE .....	1215
E.3.5	Compound Types .....	1216
E.3.5.1	PXE_HW_UNDI .....	1216
E.3.5.2	PXE_SW_UNDI .....	1218
E.3.5.3	PXE_UNDI .....	1218
E.3.5.4	PXE_CDB .....	1219
E.3.5.5	PXE_IP_ADDR .....	1220
E.3.5.6	PXE_DEVICE .....	1220
E.4	UNDI Commands .....	1221
E.4.1	Command Linking and Queuing .....	1222
E.4.2	Get State .....	1225
E.4.2.1	Issuing the Command .....	1225
E.4.2.2	Waiting for the Command to Execute .....	1226
E.4.2.3	Checking Command Execution Results .....	1226
E.4.3	Start .....	1227
E.4.3.1	Issuing the Command .....	1227
E.4.3.2	Preparing the CPB .....	1228
E.4.3.3	Waiting for the Command to Execute .....	1233
E.4.3.4	Checking Command Execution Results .....	1233
E.4.4	Stop .....	1234
E.4.4.1	Issuing the Command .....	1234
E.4.4.2	Waiting for the Command to Execute .....	1234
E.4.4.3	Checking Command Execution Results .....	1234
E.4.5	Get Init Info .....	1235
E.4.5.1	Issuing the Command .....	1235
E.4.5.2	Waiting for the Command to Execute .....	1235
E.4.5.3	Checking Command Execution Results .....	1235
E.4.5.4	StatFlags .....	1236
E.4.5.5	DB 1236	
E.4.6	Get Config Info .....	1238
E.4.6.1	Issuing the Command .....	1238
E.4.6.2	Waiting for the Command to Execute .....	1238
E.4.6.3	Checking Command Execution Results .....	1239
E.4.6.4	DB 1239	
E.4.7	Initialize .....	1241
E.4.7.1	Issuing the Command .....	1241
E.4.7.2	OpFlags .....	1241
E.4.7.3	Preparing the CPB .....	1242
E.4.7.4	Waiting for the Command to Execute .....	1243
E.4.7.5	Checking Command Execution Results .....	1244
E.4.7.6	StatFlags .....	1244

	E.4.7.7	Before Using the DB.....	1244
E.4.8		Reset.....	1245
	E.4.8.1	Issuing the Command.....	1245
	E.4.8.2	OpFlags.....	1245
	E.4.8.3	Waiting for the Command to Execute.....	1246
	E.4.8.4	Checking Command Execution Results.....	1246
	E.4.8.5	StatFlags.....	1246
E.4.9		Shutdown.....	1247
	E.4.9.1	Issuing the Command.....	1247
	E.4.9.2	Waiting for the Command to Execute.....	1248
	E.4.9.3	Checking Command Execution Results.....	1248
E.4.10		Interrupt Enables.....	1249
	E.4.10.1	Issuing the Command.....	1249
	E.4.10.2	OpFlags.....	1249
	E.4.10.3	Waiting for the Command to Execute.....	1250
	E.4.10.4	Checking Command Execution Results.....	1250
	E.4.10.5	StatFlags.....	1250
E.4.11		Receive Filters.....	1251
	E.4.11.1	Issuing the Command.....	1251
	E.4.11.2	OpFlags.....	1251
	E.4.11.3	Preparing the CPB.....	1252
	E.4.11.4	Waiting for the Command to Execute.....	1252
	E.4.11.5	Checking Command Execution Results.....	1252
	E.4.11.6	StatFlags.....	1253
	E.4.11.7	DB 1253	
E.4.12		Station Address.....	1254
	E.4.12.1	Issuing the Command.....	1254
	E.4.12.2	OpFlags.....	1254
	E.4.12.3	Preparing the CPB.....	1254
	E.4.12.4	Waiting for the Command to Execute.....	1255
	E.4.12.5	Checking Command Execution Results.....	1255
	E.4.12.6	Before Using the DB.....	1255
E.4.13		Statistics.....	1256
	E.4.13.1	Issuing the Command.....	1256
	E.4.13.2	OpFlags.....	1256
	E.4.13.3	Waiting for the Command to Execute.....	1256
	E.4.13.4	Checking Command Execution Results.....	1257
	E.4.13.5	DB 1257	
E.4.14		MCast IP To MAC.....	1259
	E.4.14.1	Issuing the Command.....	1259
	E.4.14.2	OpFlags.....	1259
	E.4.14.3	Preparing the CPB.....	1259
	E.4.14.4	Waiting for the Command to Execute.....	1260
	E.4.14.5	Checking Command Execution Results.....	1260
	E.4.14.6	Before Using the DB.....	1260
E.4.15		NvData.....	1261
	E.4.15.1	Issuing the Command.....	1261
	E.4.15.2	Preparing the CPB.....	1261
		E.4.15.2.1 Sparse NvData CPB.....	1261
		E.4.15.2.2 Bulk NvData CPB.....	1262
	E.4.15.3	Waiting for the Command to Execute.....	1262
	E.4.15.4	Checking Command Execution Results.....	1262



	E.4.15.4.1	DB	1263
E.4.16	Get Status		1263
	E.4.16.1	Issuing the Command	1263
		E.4.16.1.1	Setting OpFlags
			1264
	E.4.16.2	Waiting for the Command to Execute	1264
	E.4.16.3	Checking Command Execution Results	1264
	E.4.16.4	StatFlags	1264
	E.4.16.5	Using the DB	1265
E.4.17	Fill Header		1266
	E.4.17.1	Issuing the Command	1266
	E.4.17.2	OpFlags	1266
	E.4.17.3	Preparing the CPB	1266
	E.4.17.4	Nonfragmented Frame	1266
	E.4.17.5	Fragmented Frame	1267
	E.4.17.6	Waiting for the Command to Execute	1268
	E.4.17.7	Checking Command Execution Results	1268
E.4.18	Transmit		1269
	E.4.18.1	Issuing the Command	1269
	E.4.18.2	OpFlags	1270
	E.4.18.3	Preparing the CPB	1270
	E.4.18.4	Nonfragmented Frame	1270
	E.4.18.5	Fragmented Frame	1271
	E.4.18.6	Waiting for the Command to Execute	1272
	E.4.18.7	Checking Command Execution Results	1272
E.4.19	Receive		1273
	E.4.19.1	Issuing the Command	1273
	E.4.19.2	Preparing the CPB	1273
	E.4.19.3	Waiting for the Command to Execute	1274
	E.4.19.4	Checking Command Execution Results	1274
	E.4.19.5	Using the DB	1275
E.5	UNDI as an EFI Runtime Driver		1276

<b>Appendix F</b>	<b>Using the Simple Pointer Protocol</b>	<b>1277</b>
<b>Appendix G</b>	<b>Using the EFI SCSI Pass Thru Protocol</b>	<b>1279</b>
<b>Appendix H</b>	<b>Compression Source Code</b>	<b>1283</b>
<b>Appendix I</b>	<b>Decompression Source Code</b>	<b>1311</b>
<b>Appendix J</b>	<b>EFI Byte Code Virtual Machine Opcode List</b>	<b>1327</b>
<b>Appendix K</b>	<b>Alphabetic Function Lists</b>	<b>1329</b>
<b>Appendix L</b>	<b>EFI 1.10 Protocol Changes and Deprecation List</b>	<b>1359</b>
L.1	Protocol and GUID Name Changes from EFI 1.10	1359
L.2	Deprecated Protocols	1361

<b>Appendix M Formats--Language Codes and Language Code Arrays .....</b>	<b>1363</b>
<b>Glossary .....</b>	<b>1365</b>
<b>References .....</b>	<b>1383</b>
Related Information .....	1383
Prerequisite Specifications .....	1387
ACPI Specification .....	1387
WfM Specification .....	1387
Additional Considerations for Itanium-Based Platforms .....	1388
<b>Index .....</b>	<b>1389</b>

[ERRATA Pages 1408-1449]

## Figures

1.	UEFI Conceptual Overview .....	9
2.	Booting Sequence .....	17
3.	Stack after <i>AddressOfEntryPoint</i> Called, supported 32-bit .....	27
4.	Stack after <i>AddressOfEntryPoint</i> Called, Itanium-based Systems .....	29
5.	Construction of a Protocol .....	33
6.	Desktop System.....	37
7.	Server System .....	38
8.	Image Handle .....	41
9.	Driver Image Handle.....	42
10.	Host Bus Controllers.....	43
11.	PCI Root Bridge Device Handle .....	43
12.	Connecting Device Drivers .....	44
13.	Connecting Bus Drivers .....	46
14.	Child Device Handle with a Bus Specific Override.....	47
15.	Software Service Relationships.....	49
16.	GUID Partition Table (GPT) Scheme .....	91
17.	Device Handle to Protocol Handler Mapping.....	134
18.	Handle Database .....	136
19.	Scatter-Gather List of <i>EFI_CAPSULE_BLOCK_DESCRIPTOR</i> Structures .....	234
20.	Text to Binary Conversion .....	273
21.	Binary to Text Conversion .....	273
22.	Device Path Text Representation.....	274
23.	Text Device Node Names.....	275
24.	Device Node Option Names .....	275
25.	Software BLT Buffer .....	412
26.	Nesting of Legacy MBR Partition Records .....	439
27.	Host Bus Controllers.....	502
28.	Device Handle for a PCI Root Bridge Controller .....	503
29.	Desktop System with One PCI Root Bridge .....	504
30.	Server System with Four PCI Root Bridges .....	505
31.	Server System with Two PCI Segments.....	506
32.	Server System with Two PCI Host Buses .....	507
33.	Image Handle .....	546
34.	PCI Driver Image Handle.....	547
35.	PCI Host Bus Controller.....	549
36.	Device Handle for a PCI Host Bus Controller.....	549
37.	Physical PCI Bus Structure .....	550
38.	Connecting a PCI Bus Driver.....	551
39.	Child Handle Created by a PCI Bus Driver.....	551
40.	Connecting a PCI Device Driver .....	554
41.	Recommended PCI Driver Image Layout.....	601
42.	Device Handle for a SCSI Bus Controller.....	606
43.	Child Handle Created by a SCSI Bus Driver .....	607
44.	Software Triggered State Transitions of a USB Host Controller .....	663
45.	USB Bus Controller Handle .....	690
46.	Debug Support Table Indirection and Pointer Usage.....	747
47.	Bit Sequence of Compressed Data .....	753
48.	Compressed Data Structure .....	754
49.	Block Structure .....	754
50.	Block Body.....	757
51.	String Info Log Search Tree .....	760

52.	Node Split .....	762
53.	Creating A Digital Signature .....	1153
54.	Verifying A Digital Signature .....	1154
55.	Embedded Digital Certificates .....	1155
56.	Example Computer System .....	1173
57.	Partial ACPI Name Space for Example System .....	1174
58.	EFI Device Path Displayed As a Name Space .....	1179
59.	Network Stacks with Three Classes of Drivers .....	1189
60.	!PXE Structures for H/W and S/W UNDI .....	1191
61.	Issuing UNDI Commands .....	1195
62.	UNDI Command Descriptor Block (CDB) .....	1196
63.	Storage Types .....	1201
64.	UNDI States, Transitions & Valid Commands .....	1221
65.	Linked CDBs .....	1223
66.	Queued CDBs .....	1224

## Tables

Table 1. Organization of the UEFI Specification .....	3
Table 2. UEFI Image Memory Types .....	19
Table 3. UEFI Runtime Services .....	22
Table 4. Common UEFI Data Types .....	24
Table 5. Modifiers for Common UEFI Data Types .....	25
Table 6. UEFI Protocols .....	34
Table 7. Required UEFI Implementation Elements .....	51
Table 8. Global Variables .....	59
Table 9. UEFI Image Types .....	63
Table 10. Legacy Master Boot Record .....	87
Table 11. Legacy Master Boot Record Partition Record .....	88
Table 12. Protective MBR Partition Record .....	90
Table 13. GUID Partition Table Header .....	93
Table 14. GUID Partition Entry .....	95
Table 15. Defined GUID Partition Entry - Partition Type GUIDs .....	96
Table 16. Defined GUID Partition Entry - Attributes .....	96
Table 17. Event, Timer, and Task Priority Functions .....	98
Table 18. TPL Usage .....	99
Table 19. TPL Restrictions .....	101
Table 20. Memory Allocation Functions .....	120
Table 21. Memory Type Usage before ExitBootServices() .....	121
Table 22. Memory Type Usage after ExitBootServices() .....	122
Table 23. Protocol Interface Functions .....	133
Table 24. Image Type Differences Summary .....	182
Table 25. Image Functions .....	183
Table 26. Miscellaneous Boot Services Functions .....	193
Table 27. Variable Services Functions .....	206
Table 28. Time Services Functions .....	214
Table 29. Virtual Memory Functions .....	221
Table 30. Miscellaneous Runtime Services .....	225
Table 31. Generic Device Path Node Structure .....	243
Table 32. Device Path End Structure .....	244
Table 33. PCI Device Path .....	245
Table 34. PCCARD Device Path .....	245
Table 35. Memory Mapped Device Path .....	246
Table 36. Vendor-Defined Device Path .....	246
Table 37. Controller Device Path .....	246
Table 38. ACPI Device Path .....	248
Table 39. Expanded ACPI Device Path .....	248
Table 40. ACPI _ADR Device Path .....	249
Table 41. ATAPI Device Path .....	250
Table 42. SCSI Device Path .....	250
Table 43. Fibre Channel Device Path .....	250
Table 44. 1394 Device Path .....	251
Table 45. USB Device Path .....	251
Table 46. USB Device Path Examples .....	252
Table 47. Another USB Device Path Example .....	253
Table 48. USB WWID Device Path .....	254
Table 49. Device Logical Unit .....	254

Table 50. USB Class Device Path.....	255
Table 51. I2O Device Path .....	255
Table 52. MAC Address Device Path.....	255
Table 53. IPv4 Device Path.....	256
Table 54. IPv6 Device Path.....	256
Table 55. InfiniBand Device Path.....	257
Table 56. UART Device Path .....	258
Table 57. Vendor-Defined Messaging Device Path .....	258
Table 58. UART Flow Control Messaging Device Path .....	259
Table 59. Messaging Device Path Structure .....	260
Table 60. iSCSI Device Path Node (Base Information) .....	263
Table 61. Hard Drive Media Device Path.....	265
Table 62. CD-ROM Media Device Path .....	266
Table 63. Vendor-Defined Media Device Path.....	266
Table 64. File Path Media Device Path.....	267
Table 65. Media Protocol Media Device Path .....	267
Table 66. BIOS Boot Specification Device Path .....	268
Table 67. ACPI _CRS to EFI Device Path Mapping .....	269
Table 68. ACPI _ADR to EFI Device Path Mapping .....	270
Table 69. EFI Device Path Option Parameter Values.....	276
Table 70. Device Node Table.....	277
Table 71. EFI Driver Configuration Default Type .....	347
Table 72. Supported Unicode Control Characters .....	368
Table 73. EFI Scan Codes for EFI_SIMPLE_TEXT_INPUT_PROTOCOL.....	369
Table 74. EFI Cursor Location/Advance Rules .....	380
Table 75. PS/2 Mouse Device Path .....	395
Table 76. Serial Mouse Device Path.....	396
Table 77. USB Mouse Device Path.....	398
Table 78. Blt Operation Table .....	423
Table 79. Attributes Definition Table .....	427
Table 80. Tape Header Formats .....	477
Table 81. PCI Configuration Address.....	526
Table 82. ACPI 2.0 QWORD Address Space Descriptor.....	541
Table 83. ACPI 2.0 End Tag .....	541
Table 84. PCI Root Bridge Device Path for a Desktop System .....	542
Table 85. PCI Root Bridge Device Path for Bridge #0 in a Server System.....	543
Table 86. PCI Root Bridge Device Path for Bridge #1 in a Server System.....	543
Table 87. PCI Root Bridge Device Path for Bridge #2 in a Server System.....	544
Table 88. PCI Root Bridge Device Path for Bridge #3 in a Server System.....	544
Table 89. PCI Root Bridge Device Path Using Expanded ACPI Device Path .....	545
Table 90. ACPI 2.0 QWORD Address Space Descriptor.....	591
Table 91. ACPI 2.0 End Tag .....	591
Table 92. PCI Device 7, Function 0 on PCI Root Bridge 0 .....	595
Table 93. PCI Device 7, Function 0 behind PCI to PCI bridge .....	596
Table 94. Standard PCI Expansion ROM Header.....	598
Table 95. PCIR Data Structure.....	598
Table 96. PCI Expansion ROM Code Types.....	598
Table 97. EFI PCI Expansion ROM Header.....	599
Table 98. Recommended PCI Device Driver Layout .....	602
Table 99. SCSI Device Path Examples.....	621
Table 100. ATAPI Device Path Examples.....	622
Table 101. Fibre Channel Device Path Examples.....	623

Table 102.	InfiniBand Device Path Examples .....	624
Table 103.	Single Channel PCI SCSI Controller .....	625
Table 104.	Single Channel PCI SCSI Controller behind a PCI Bridge.....	626
Table 105.	Channel #3 of a PCI SCSI Controller behind a PCI Bridge.....	627
Table 106.	USB Hub Port Status Bitmap .....	683
Table 107.	Hub Port Change Status Bitmap .....	685
Table 108.	USB Port Feature .....	687
Table 109.	Debugport Messaging Device Path.....	744
Table 110.	Block Header Fields .....	755
Table 111.	General Purpose VM Registers.....	773
Table 112.	Dedicated VM Registers.....	774
Table 113.	VM Flags Register.....	774
Table 114.	Index Encoding.....	775
Table 115.	Index Size in Index Encoding .....	776
Table 116.	Opcode Byte Encoding.....	779
Table 117.	Operand Byte Encoding .....	780
Table 118.	ADD Instruction Encoding .....	781
Table 119.	AND Instruction Encoding .....	782
Table 120.	ASHR Instruction Encoding.....	783
Table 121.	VM Version Format.....	784
Table 122.	BREAK Instruction Encoding.....	785
Table 123.	CALL Instruction Encoding .....	787
Table 124.	CMP Instruction Encoding .....	790
Table 125.	CMPI Instruction Encoding.....	792
Table 126.	DIV Instruction Encoding .....	793
Table 127.	DIVU Instruction Encoding .....	794
Table 128.	EXTNDB Instruction Encoding .....	795
Table 129.	EXTNDD Instruction Encoding.....	796
Table 130.	EXTNDW Instruction Encoding .....	797
Table 131.	JMP Instruction Encoding.....	799
Table 132.	JMP8 Instruction Encoding.....	800
Table 133.	LOADSP Instruction Encoding .....	801
Table 134.	MOD Instruction Encoding .....	802
Table 135.	MODU Instruction Encoding.....	803
Table 136.	MOV Instruction Encoding.....	805
Table 137.	MOVI Instruction Encoding.....	806
Table 138.	MOVIn Instruction Encoding.....	808
Table 139.	MOVn Instruction Encoding.....	810
Table 140.	MOVREL Instruction Encoding.....	812
Table 141.	MOVsn Instruction Encoding.....	813
Table 142.	MUL Instruction Encoding .....	815
Table 143.	MULU Instruction Encoding.....	816
Table 144.	NEG Instruction Encoding .....	817
Table 145.	NOT Instruction Encoding .....	818
Table 146.	OR Instruction Encoding .....	819
Table 147.	POP Instruction Encoding .....	820
Table 148.	POPn Instruction Encoding .....	821
Table 149.	PUSH Instruction Encoding.....	822
Table 150.	PUSHn Instruction Encoding.....	823
Table 151.	RET Instruction Encoding.....	824
Table 152.	SHL Instruction Encoding .....	825
Table 153.	SHR Instruction Encoding .....	826

Table 154. STORESP Instruction Encoding.....	827
Table 155. SUB Instruction Encoding .....	828
Table 156. XOR Instruction Encoding .....	829
Table 157. PXE Tag Definitions for EFI .....	886
Table 158. Destination IP Filter Operation .....	906
Table 159. Destination UDP Port Filter Operation .....	906
Table 160. Source IP Filter Operation.....	907
Table 161. Source UDP Port Filter Operation.....	907
Table 162. DHCP4 Enumerations .....	1004
Table 163. Descriptions of Parameters in MTFTPv4 Packet Structures.....	1129
Table 164. Generic Authentication Node Structure.....	1150
Table 165. CHAP Authentication Node Structure using RADIUS.....	1151
Table 166. CHAP Authentication Node Structure using Local Database.....	1152
Table 167. EFI Hash Algorithms.....	1165
Table 168. EFI GUID Format.....	1167
Table 169. EFI Scan Codes for EFI_SIMPLE_TEXT_INPUT_PROTOCOL.....	1169
Table 170. Control Sequences to Implement EFI_SIMPLE_TEXT_INPUT_PROTOCOL.....	1170
Table 171. Legacy Floppy Device Path.....	1175
Table 172. IDE Disk Device Path .....	1176
Table 173. Secondary Root PCI Bus with PCI to PCI Bridge Device Path.....	1177
Table 174. EFI_STATUS Codes Ranges.....	1181
Table 175. EFI_STATUS Success Codes (High Bit Clear).....	1181
Table 176. EFI_STATUS Error Codes (High Bit Set).....	1181
Table 177. EFI_STATUS Warning Codes (High Bit Clear).....	1183
Table 178. Definitions.....	1185
Table 179. Referenced Specifications.....	1187
Table 180. Driver Types: Pros and Cons .....	1190
Table 181. !PXE Structure Field Definitions .....	1192
Table 182. UNDI CDB Field Definitions .....	1196
Table 183. EBC Virtual Machine Opcode Summary .....	1327
Table 184. Functions Listed in Alphabetic Order .....	1329
Table 185. Functions Listed Alphabetically within a Service or Protocol .....	1346
Table 186. Protocol Name changes .....	1359



This *Unified Extensible Firmware Interface* (hereafter known as UEFI) *Specification 2.0* describes an interface between the operating system (OS) and the platform firmware. UEFI was preceded by the *Extensible Firmware Interface Specification 1.10*. As a result, some code and certain protocol names retain the EFI designation. Unless otherwise noted, EFI designations in this specification may be assumed to be part of UEFI.

The interface is in the form of data tables that contain platform-related information, and boot and runtime service calls that are available to the OS loader and the OS. Together, these provide a standard environment for booting an OS. This specification is designed as a pure interface specification. As such, the specification defines the set of interfaces and structures that platform firmware must implement. Similarly, the specification defines the set of interfaces and structures that the OS may use in booting. How either the firmware developer chooses to implement the required elements or the OS developer chooses to make use of those interfaces and structures is an implementation decision left for the developer.

The intent of this specification is to define a way for the OS and platform firmware to communicate only information necessary to support the OS boot process. This is accomplished through a formal and complete abstract specification of the software-visible interface presented to the OS by the platform and firmware.

Using this formal definition, a shrink-wrap OS intended to run on platforms compatible with supported processor specifications will be able to boot on a variety of system designs without further platform or OS customization. The definition will also allow for platform innovation to introduce new features and functionality that enhance platform capability without requiring new code to be written in the OS boot sequence.

Furthermore, an abstract specification opens a route to replace legacy devices and firmware code over time. New device types and associated code can provide equivalent functionality through the same defined abstract interface, again without impact on the OS boot support code.

The specification is applicable to a full range of hardware platforms from mobile systems to servers. The specification provides a core set of services along with a selection of protocol interfaces. The selection of protocol interfaces can evolve over time to be optimized for various platform market segments. At the same time the specification allows maximum extensibility and customization abilities for OEMs to allow differentiation. In this, the purpose of UEFI is to define an evolutionary path from the traditional “PC-AT”-style boot world into a legacy-API free environment.

## 1.1 UEFI Driver Model Extensions

Access to boot devices is provided through a set of protocol interfaces. One purpose of the *UEFI Driver Model* is to provide a replacement for “PC-AT”-style option ROMs. It is important to point out that drivers written to the *UEFI Driver Model* are designed to access boot devices in the preboot environment. They are not designed to replace the high performance OS specific drivers.

The *UEFI Driver Model* is designed to support the execution of modular pieces of code, also known as drivers that run in the preboot environment. These drivers may manage or control hardware buses and devices on the platform or they may provide some software derived platform specific service.

The *UEFI Driver Model* also contains information required by UEFI driver writers to design and implement any combination of bus drivers and device drivers that a platform may need to boot a UEFI compliant OS.

The *UEFI Driver Model* is designed to be generic and can be adapted to any type of bus or device. The *UEFI Specification 2.0* describes how to write PCI bus drivers, PCI device drivers, USB bus drivers, USB device drivers, and SCSI drivers. Additional details are provided that allow UEFI drivers to be stored in PCI option ROMs while maintaining compatibility with legacy option ROM images.

One of the design goals in the *UEFI Specification 2.0* is keeping the driver images as small as possible. However, if a driver is required to support multiple processor architectures, a driver object file would also be required to be shipped for each supported processor architecture. To address this space issue, this specification also defines the *EFI Byte Code Virtual Machine*. A UEFI driver can be compiled into a single EFI Byte Code object file. UEFI 2.0 compliant firmware must contain an EFI Byte Code interpreter. This allows a single EFI Byte Code object file to be shipped that supports multiple processor architectures. Another space saving technique is the use of compression. This specification defines compression and decompression algorithms that may be used to reduce the size of UEFI Drivers, and thus reduce the overhead when UEFI Drivers are stored in ROM devices.

The information contained in the *UEFI Specification 2.0* can be used by OSVs, IHVs, OEMs, and firmware vendors to design and implement firmware conforming to this specification, drivers that produce standard protocol interfaces, and operating system loaders that can be used to boot UEFI-compliant operating systems.

## 1.2 Overview

The UEFI 2.0 Specification is organized as listed in Table 1.

**Table 1. Organization of the UEFI Specification**

Chapter/Appendix	Description
1. Introduction	Introduces the UEFI Specification and topics related to using the specification.
2. Overview	Describes the major components of UEFI, including the boot manager, firmware core, calling conventions, protocols, and requirements.
3. Boot Manager	Describes the boot manager, which is used to load drivers and applications written to this specification.
4. EFI System Table	Describes the EFI System Table that is passed to every compliant driver and application.
5. GUID Partition Table (GPT) Format	Defines a new partitioning scheme that must be supported by firmware conforming to this specification.
6. Services — Boot Services	Contains the definitions of the fundamental services that are present in a UEFI-compliant system before an OS is booted.
7. Services — Runtime Services	Contains definitions for the fundamental services that are present in a compliant system before and after an OS is booted.
8. Protocols — EFI Loaded Image	Defines the EFI Loaded Image Protocol that describes a UEFI Image that has been loaded into memory.
9. Protocols — Device Path Protocol	Defines the device path protocol and provides the information needed to construct and manage device paths in the UEFI environment.
10. Protocols — UEFI Driver Model	Describes a generic driver model for UEFI. This includes the set of services and protocols that apply to every bus and device type, including the Driver Binding Protocol, the Platform Driver Override Protocol, the Bus Specific Driver Override Protocol, the Driver Diagnostics Protocol, the Driver Configuration Protocol, and the Component Name Protocol.
11. Protocols — Console Support	Defines the Console I/O protocols, which handle input and output of text-based information intended for the system user while executing in the boot services environment. These protocols include the Simple Input Protocol, the Simple Text Output Protocol, the Graphics Output Protocol, the Simple Pointer Protocol, and the Serial I/O Protocol.
12. Protocols—Media Access	Defines the Load File protocol, file system format and media formats for handling removable media

<b>Chapter/Appendix</b>	<b>Description</b>
13. Protocols — PCI Bus Support	Defines PCI Bus Drivers, PCI Device Drivers, and PCI Option ROM layouts. The protocols described include the PCI Root Bridge I/O Protocol and the PCI I/O Protocol.
14. Protocols — SCSI Driver Models and Bus Support	Defines the SCSI I/O Protocol, and the Extended SCSI Pass Thru Protocol that is used to abstract access to a SCSI channel that is produced by a SCSI host controller.
15. Protocols —iSCSI Boot	The iSCSI protocol defines a transport for SCSI data over TCP/IP.
16. Protocols — USB Support	Defines USB Bus Drivers and USB Device Drivers. The protocols described include the USB2 Host Controller Protocol and the USB I/O Protocol.
17. Protocols — Debugger Support	An optional set of protocols that provide the services required to implement a source level debugger for the UEFI environment. The EFI Debug Port Protocol provides services to communicate with a remote debug host. The Debug Support Protocol provides services to hook processor exceptions, save the processor context, and restore the processor context. These protocols can be used in the implementation of a debug agent on the target system that interacts with the remote debug host.
18. Protocols — Compression Algorithm Specification	Describes in detail the compression/decompression algorithm, as well as the EFI Decompress Protocol. The EFI Decompress Protocol provides a standard decompression interface for use at boot time. The EFI Decompress Protocol is used by a PCI Bus Driver to decompress UEFI drivers stored in PCI Option ROMs.
19. EFI Byte Code Virtual Machine	Defines the EFI Byte Code virtual processor and its instruction set. It also defines how EBC object files are loaded into memory, and the mechanism for transitioning from native code to EBC code and back to native code. The information in this document is sufficient to implement an EFI Byte Code interpreter, an EFI Byte Code compiler, and an EFI Byte Code linker.
20. Protocols—Tape Boot Support	Defines support for a new Tape IO protocol, functions, and a standard tape header format to enable tape-based OS bootloaders to be run using the EFI Load File Protocol.
21. Network Protocols—SNP, PXE, and BIS	Defines the protocols that provide access to network devices while executing in the UEFI boot services environment. These protocols include the Simple Network Protocol, the PXE Base Code Protocol, and the Boot Integrity services (BIS) Protocol.
22. Network Protocols—Managed Network	Defines the EFI Managed Network Protocol, which provides raw (unformatted) asynchronous network packet I/O services and Managed Network Service Binding Protocol, which is used to locate communication devices that are supported by an MNP driver.
23. Network Protocols—ARP and DHCPv4	Defines the EFI Address Resolution Protocol (ARP) Protocol interface and the EFI DHCPv4 Protocol.

<b>Chapter/Appendix</b>	<b>Description</b>
24. Network Protocols—TCPv4,IPv4 and Configuration	Defines the EFI TCPv4 (Transmission Control Protocol version 4) Protocol and the EFI IPv4 (Internet Protocol version 4) Protocol interface.
25. Network Protocols—UDPv4 and MTFPv4	Defines the EFI UDPv4 (User Datagram Protocol version 4) Protocol that interfaces over the EFI IPv4 Protocol and defines the EFI MTFPv4 Protocol interface that is built upon the EFI UDPv4 Protocol.
26. Security—Driver Signing and Hash	Describes a means of generating a digital signature for a UEFI executable, and a standard set of functions for creating a hash value for a specified variable length input.
A. GUID and Time Formats	Explains the GUID (Guaranteed Unique Identifier) format.
B. Console	Describes the requirements for a basic text-based console required by EFI-conformant systems to provide communication capabilities.
C. Device Path Examples	Examples of use of the data structures that defines various hardware devices to the boot services.
D. Status Codes	Lists success, error, and warning codes returned by UEFI interfaces.
E. Universal Network Driver Interfaces	This appendix defines the 32/64-bit H/W and S/W Universal Network Driver Interfaces (UNDIs).
F. Using the Simple Pointer Protocol	This appendix provides the suggested usage of the Simple Pointer Protocol.
G. Using the EFI SCSI Pass Thru Protocol	This appendix provides an example on how the SCSI Pass Thru Protocol can be used.
H. Compression Source Code	The C source code to an implementation of the Compression Algorithm.
I. Decompression Source Code	The C source code to an implementation of the EFI Decompression Algorithm.
J. EFI Byte Code Virtual Machine Opcode Lists	A summary of the opcodes in the instruction set of the EFI Byte Code Virtual Machine.
K. Alphabetic Function List	Lists all UEFI interface functions alphabetically.
L. EFI 1.10 Protocol Changes and Deprecation Lists	This appendix lists the Protocol , GUID, and revision identifier name changes and the deprecated protocols compared to the <i>EFI Specification 1.10</i> .
M. Formats—Language Codes and Language Code Arrays	This appendix lists the formats for language codes and language code arrays.
Glossary	Briefly describes terms defined or referenced by this specification.
References	Lists all necessary and/or useful specifications, web sites, and other documentation that is referenced in this UEFI Specification.
Index	Provides an index to the key terms and concepts in the specification.

## 1.3 Goals

The “PC-AT” boot environment presents significant challenges to innovation within the industry. Each new platform capability or hardware innovation requires firmware developers to craft increasingly complex solutions, and often requires OS developers to make changes to their boot code before customers can benefit from the innovation. This can be a time-consuming process requiring a significant investment of resources.

The primary goal of the UEFI specification is to define an alternative boot environment that can alleviate some of these considerations. In this goal, the specification is similar to other existing boot specifications. The main properties of this specification can be summarized by these attributes:

- *Coherent, scalable platform environment.* The specification defines a complete solution for the firmware to describe all platform features and surface platform capabilities to the OS during the boot process. The definitions are rich enough to cover a range of contemporary processor designs.
- *Abstraction of the OS from the firmware.* The specification defines interfaces to platform capabilities. Through the use of abstract interfaces, the specification allows the OS loader to be constructed with far less knowledge of the platform and firmware that underlie those interfaces. The interfaces represent a well-defined and stable boundary between the underlying platform and firmware implementation and the OS loader. Such a boundary allows the underlying firmware and the OS loader to change provided both limit their interactions to the defined interfaces.
- *Reasonable device abstraction free of legacy interfaces.* “PC-AT” BIOS interfaces require the OS loader to have specific knowledge of the workings of certain hardware devices. This specification provides OS loader developers with something different—abstract interfaces that make it possible to build code that works on a range of underlying hardware devices without having explicit knowledge of the specifics for each device in the range.
- *Abstraction of Option ROMs from the firmware.* This specification defines interfaces to platform capabilities including standard bus types such as PCI, USB, and SCSI. The list of supported bus types may grow over time, so a mechanism to extend to future bus types is included. These defined interfaces and the ability to extend to future bus types are components of the UEFI *Driver Model*. One purpose of the UEFI *Driver Model* is to solve a wide range of issues that are present in existing “PC-AT” option ROMs. Like OS loaders, drivers use the abstract interfaces so device drivers and bus drivers can be constructed with far less knowledge of the platform and firmware that underlie those interfaces.
- *Architecturally shareable system partition.* Initiatives to expand platform capabilities and add new devices often require software support. In many cases, when these platform innovations are activated before the OS takes control of the platform, they must be supported by code that is specific to the platform rather than to the customer’s choice of OS. The traditional approach to this problem has been to embed code in the platform during manufacturing (for example, in flash memory devices). Demand for such persistent storage is increasing at a rapid rate. This specification defines persistent store on large mass storage media types for use by platform support code extensions to supplement the traditional approach. The definition of how this works is made clear in the specification to ensure that firmware developers, OEMs, operating

system vendors, and perhaps even third parties can share the space safely while adding to platform capability.

Defining a boot environment that delivers these attributes could be accomplished in many ways. Indeed several alternatives, perhaps viable from an academic point of view, already existed at the time this specification was written. These alternatives, however, typically presented high barriers to entry given the current infrastructure capabilities surrounding supported processor platforms. This specification is intended to deliver the attributes listed above while also recognizing the unique needs of an industry that has considerable investment in compatibility and a large installed base of systems that cannot be abandoned summarily. These needs drive the requirements for the additional attributes embodied in this specification:

- *Evolutionary, not revolutionary.* The interfaces and structures in the specification are designed to reduce the burden of an initial implementation as much as possible. While care has been taken to ensure that appropriate abstractions are maintained in the interfaces themselves, the design also ensures that reuse of BIOS code to implement the interfaces is possible with a minimum of additional coding effort. In other words, on PC-AT platforms the specification can be implemented initially as a thin interface layer over an underlying implementation based on existing code. At the same time, introduction of the abstract interfaces provides for migration away from legacy code in the future. Once the abstraction is established as the means for the firmware and OS loader to interact during boot, developers are free to replace legacy code underneath the abstract interfaces at leisure. A similar migration for hardware legacy is also possible. Since the abstractions hide the specifics of devices, it is possible to remove underlying hardware, and replace it with new hardware that provides improved functionality, reduced cost, or both. Clearly this requires that new platform firmware be written to support the device and present it to the OS loader via the abstract interfaces. However, without the interface abstraction, removal of the legacy device might not be possible at all.
- *Compatibility by design.* The design of the system partition structures also preserves all the structures that are currently used in the “PC-AT” boot environment. Thus it is a simple matter to construct a single system that is capable of booting a legacy OS or an EFI-aware OS from the same disk.
- *Simplifies addition of OS-neutral platform value-add.* The specification defines an open extensible interface that lends itself to the creation of platform “drivers.” These may be analogous to OS drivers, providing support for new device types during the boot process, or they may be used to implement enhanced platform capabilities like fault tolerance or security. Furthermore this ability to extend platform capability is designed into the specification from the outset. This is intended to help developers avoid many of the frustrations inherent in trying to squeeze new code into the traditional BIOS environment. As a result of the inclusion of interfaces to add new protocols, OEMs or firmware developers have an infrastructure to add capability to the platform in a modular way. Such drivers may potentially be implemented using high level coding languages because of the calling conventions and environment defined in the specification. This in turn may help to reduce the difficulty and cost of innovation. The option of a system partition provides an alternative to nonvolatile memory storage for such extensions.

- *Built on existing investment.* Where possible, the specification avoids redefining interfaces and structures in areas where existing industry specifications provide adequate coverage. For example, the ACPI specification provides the OS with all the information necessary to discover and configure platform resources. Again, this philosophical choice for the design of the specification is intended to keep barriers to its adoption as low as possible.

## 1.4 Target Audience

This document is intended for the following readers:

- IHVs and OEMs who will be implementing UEFI drivers.
- OEMs who will be creating supported processor platforms intended to boot shrink-wrap operating systems.
- BIOS developers, either those who create general-purpose BIOS and other firmware products or those who modify these products for use in supported processor-based products.
- Operating system developers who will be adapting their shrink-wrap operating system products to run on supported processor-based platforms.

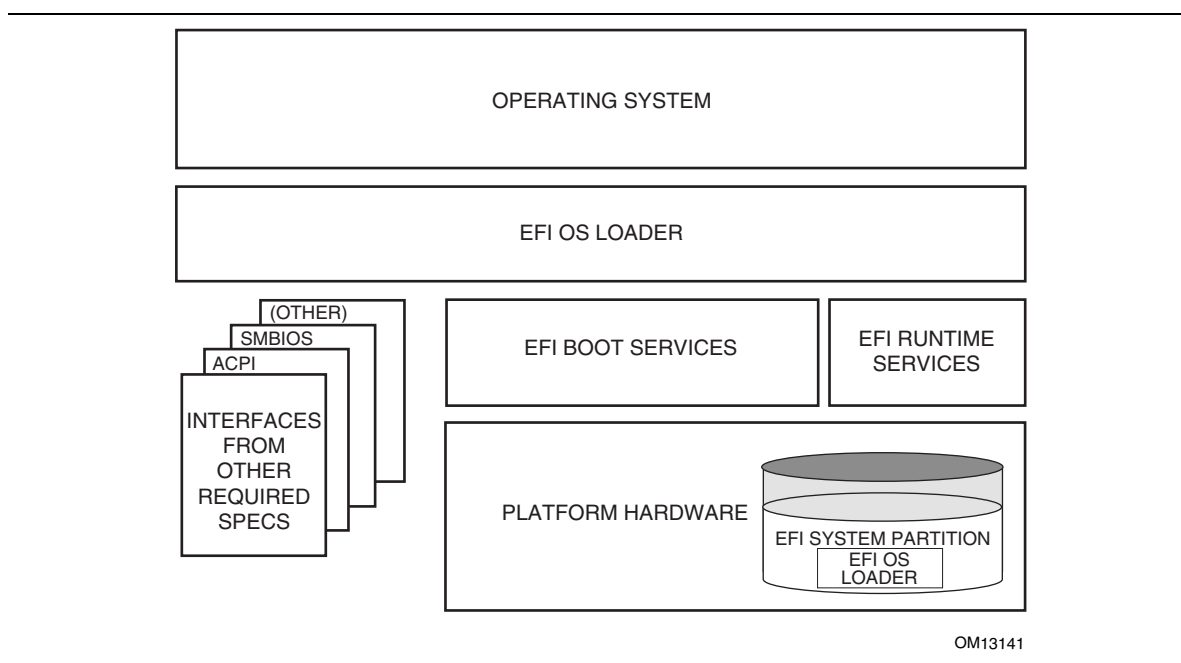


## 1.5 UEFI Design Overview

The design of UEFI is based on the following fundamental elements:

- *Reuse of existing table-based interfaces.* In order to preserve investment in existing infrastructure support code, both in the OS and firmware, a number of existing specifications that are commonly implemented on platforms compatible with supported processor specifications must be implemented on platforms wishing to comply with the UEFI specification. (See the References appendix for additional information.)
- *System partition.* The System partition defines a partition and file system that are designed to allow safe sharing between multiple vendors, and for different purposes. The ability to include a separate sharable system partition presents an opportunity to increase platform value-add without significantly growing the need for nonvolatile platform memory.
- *Boot services.* Boot services provide interfaces for devices and system functionality that can be used during boot time. Device access is abstracted through “handles” and “protocols.” This facilitates reuse of investment in existing BIOS code by keeping underlying implementation requirements out of the specification without burdening the consumer accessing the device.
- *Runtime services.* A minimal set of runtime services is presented to ensure appropriate abstraction of base platform hardware resources that may be needed by the OS during its normal operations.

Figure 1 shows the principal components of UEFI and their relationship to platform hardware and OS software.



**Figure 1. UEFI Conceptual Overview**

This diagram illustrates the interactions of the various components of an UEFI specification-compliant system that are used to accomplish platform and OS boot.

The platform firmware is able to retrieve the OS loader image from the System Partition. The specification provides for a variety of mass storage device types including disk, CD-ROM and DVD as well as remote boot via a network. Through the extensible protocol interfaces, it is possible to add other boot media types, although these may require OS loader modifications if they require use of protocols other than those defined in this document.

Once started, the OS loader continues to boot the complete operating system. To do so, it may use the EFI boot services and interfaces defined by this or other required specifications to survey, comprehend and initialize the various platform components and the OS software that manages them. EFI runtime services are also available to the OS loader during the boot phase.

## 1.6 UEFI Driver Model

This section describes the goals of a driver model for firmware conforming to this specification. The goal is for this driver model to provide a mechanism for implementing bus drivers and device drivers for all types of buses and devices. At the time of writing, supported bus types include PCI, USB, and so on.

As hardware architectures continue to evolve, the number and types of buses present in platforms are increasing. This trend is especially true in high-end servers. However, a more diverse set of bus types is being designed into desktop and mobile systems and even some embedded systems. This increasing complexity means that a simple method for describing and managing all the buses and devices in a platform is required in the preboot environment. The *UEFI Driver Model* provides this simple method in the form of protocols services and boot services.

### 1.6.1 UEFI Driver Model Goals

The *UEFI Driver Model* has the following goals:

- **Compatible** – Drivers conforming to this specification must maintain compatibility with the *EFI 1.10 Specification* and the *UEFI 2.0 Specification*. This means that the *UEFI Driver Model* takes advantage of the extensibility mechanisms in the *UEFI 2.0 Specification* to add the required functionality.
- **Simple** – Drivers which conform to this specification must be simple to implement and simple to maintain. The *UEFI Driver Model* must allow a driver writer to concentrate on the specific device for which the driver is being developed. A driver should not be concerned with platform policy or platform management issues. These considerations should be left to the system firmware.
- **Scalable** – The *UEFI Driver Model* must be able to adapt to all types of platforms. These platforms would include embedded systems; mobile and desktop systems, as well as workstations; and servers.
- **Flexible** – The *UEFI Driver Model* must support the ability to enumerate all the devices, or to enumerate only those devices required to boot the required OS. The minimum device enumeration provides support for more rapid boot capability, and the full device enumeration provides the ability to perform OS installations, system maintenance, or system diagnostics on any boot device present in the system.
- **Extensible** – The *UEFI Driver Model* must be able to extend to future bus types as they are defined.

- **Portable** – Drivers written to the *UEFI Driver Model* must be portable between platforms and between supported processor architectures.
- **Interoperable** – Drivers must coexist with other drivers and system firmware and must do so without generating resource conflicts.
- **Describe Complex Bus Hierarchies** – The *UEFI Driver Model* must be able to describe a variety of bus topologies from very simple single bus platforms to very complex platforms containing many buses of various types.
- **Small Driver Footprint** – The size of executables produced by the *UEFI Driver Model* must be minimized to reduce the overall platform cost. While flexibility and extensibility are goals, the additional overhead required to support these must be kept to a minimum to prevent the size of firmware components from becoming unmanageable.
- **Address Legacy Option ROM Issues** – The *UEFI Driver Model* must directly address and solve the constraints and limitations of legacy option ROMs. Specifically it must be possible to build add-in cards that support both UEFI drivers and legacy option ROMs where such cards can execute in both legacy BIOS systems and UEFI conforming platforms without modifications to the code carried on the card. The solution must provide an evolutionary path to migrate from legacy option ROMs driver to UEFI drivers.

## 1.6.2 Legacy Option ROM Issues

This idea of supporting a driver model came from feedback on the *UEFI Specification 2.0* that provided a clear, market-driven requirement for an alternative to the legacy option ROM (sometimes also referred to as an expansion ROM). The perception is that the advent of the *UEFI Specification 2.0* represents a chance to escape the limitations implicit to the construction and operation of legacy option ROM images by replacing them with an alternative mechanism that works within the framework of the *UEFI Specification 2.0*.

## 1.7 Migration Requirements

Migration requirements cover the transition period from initial implementation of this specification to a future time when all platforms and operating systems implement to this specification. During this period, two major compatibility considerations are important:

1. The ability to continue booting legacy operating systems;
2. The ability to implement UEFI on existing platforms by reusing as much existing firmware code to keep development resource and time requirements to a minimum.

### 1.7.1 Legacy Operating System Support

The UEFI specification represents the preferred means for a shrink-wrap OS and firmware to communicate during the boot process. However, choosing to make a platform that complies with this specification in no way precludes a platform from also supporting existing legacy OS binaries that have no knowledge of the UEFI specification.

The UEFI specification does not restrict a platform designer who chooses to support both the UEFI specification and a more traditional “PC-AT” boot infrastructure. If such a legacy infrastructure is to be implemented it should be developed in accordance with existing industry practice that is defined outside the scope of this specification. The choice of legacy operating systems that are supported on any given platform is left to the manufacturer of that platform.

### 1.7.2 Supporting the UEFI Specification on a Legacy Platform

The UEFI specification has been carefully designed to allow for existing systems to be extended to support it with a minimum of development effort. In particular, the abstract structures and services defined in the UEFI specification can all be supported on legacy platforms.

For example, to accomplish such support on an existing and supported 32-bit-based platform that uses traditional BIOS to support operating system boot, an additional layer of firmware code would need to be provided. This extra code would be required to translate existing interfaces for services and devices into support for the abstractions defined in this specification.

## 1.8 Conventions Used in This Document

This document uses typographic and illustrative conventions described below.

### 1.8.1 Data Structure Descriptions

Supported processors are “little endian” machines. This distinction means that the low-order byte of a multibyte data item in memory is at the lowest address, while the high-order byte is at the highest address. Some supported 64-bit processors may be configured for both “little endian” and “big endian” operation. All implementations designed to conform to this specification use “little endian” operation.

In some memory layout descriptions, certain fields are marked *reserved*. Software must initialize such fields to zero and ignore them when read. On an update operation, software must preserve any reserved field.

## 1.8.2 Protocol Descriptions

A protocol description generally has the following format:

<b>Protocol:</b>	The formal name of the protocol interface.
<b>Summary:</b>	A brief description of the protocol interface.
<b>GUID:</b>	The 128-bit unique identifier for the protocol interface.
<b>Revision Number:</b>	The revision of the protocol interface.
<b>Protocol Interface Structure:</b>	A “C-style” data structure definition containing the procedures and data fields produced by this protocol interface.
<b>Parameters:</b>	A brief description of each field in the protocol interface structure.
<b>Related Definitions:</b>	The type declarations and constants that are used in the protocol interface structure or any of its procedures.
<b>Description:</b>	A description of the functionality provided by the protocol interface including any limitations and caveats of which the caller should be aware.

### 1.8.3 Procedure Descriptions

A procedure description generally has the following format:

<b>ProcedureName():</b>	The formal name of the procedure.
<b>Summary:</b>	A brief description of the procedure.
<b>Prototype:</b>	A “C-style” procedure header defining the calling sequence.
<b>Parameters:</b>	The parameters defined in the template are described in further detail.
<b>Related Definitions:</b>	The type declarations and constants that are only used by this procedure.
<b>Description:</b>	A description of the functionality provided by the interface including any limitations and caveats the caller of which should be aware.
<b>Status Codes Returned:</b>	A description of the codes returned by the interface. Any status codes listed in this table are required to be implemented by the procedure. Additional error codes may be returned, but they will not be tested by standard compliance tests, and any software that uses the procedure cannot depend on any of the extended error codes that an implementation may provide.

### 1.8.4 Instruction Descriptions

An instruction description for EBC instructions generally has the following format:

<b>InstructionName</b>	The formal name of the EBC Instruction.
<b>SYNTAX:</b>	A brief description of the EBC Instruction.
<b>DESCRIPTION:</b>	A description of the functionality provided by the EBC Instruction accompanied by a table that details the instruction encoding.
<b>OPERATION:</b>	Details the operations performed on operands.
<b>BEHAVIORS AND RESTRICTIONS:</b>	An item by item description of the behavior of each operand involved in the instruction and any restrictions that apply to the operands or the instruction.

## 1.8.5 Pseudo-Code Conventions

Pseudo code is presented to describe algorithms in a more concise form. None of the algorithms in this document are intended to be compiled directly. The code is presented at a level corresponding to the surrounding text.

In describing variables, a *list* is an unordered collection of homogeneous objects. A *queue* is an ordered list of homogeneous objects. Unless otherwise noted, the ordering is assumed to be FIFO.

Pseudo code is presented in a C-like format, using C conventions where appropriate. The coding style, particularly the indentation style, is used for readability and does not necessarily comply with an implementation of the *UEFI Specification*.

## 1.8.6 Typographic Conventions

This document uses the typographic and illustrative conventions described below:

Plain text	The normal text typeface is used for the vast majority of the descriptive text in a specification.
<a href="#">Plain text (blue)</a>	In the electronic version of this specification, any <a href="#">plain text</a> underlined and in blue indicates an active link to the cross-reference.
<b>Bold</b>	In text, a <b>Bold</b> typeface identifies a processor register name. In other instances, a <b>Bold</b> typeface can be used as a running head within a paragraph.
<i>Italic</i>	In text, an <i>Italic</i> typeface can be used as emphasis to introduce a new term or to indicate a manual or specification name.
<b>BOLD Monospace</b>	Computer code, example code segments, and all prototype code segments use a <b>BOLD Monospace</b> typeface with a dark red color. These code listings normally appear in one or more separate paragraphs, though words or segments can also be embedded in a normal text paragraph.
<u><b>BOLD Monospace</b></u>	In the electronic version of this specification, words in a <u><b>BOLD Monospace</b></u> typeface that is underlined and in a dark red color indicate an active hyperlink to the definition for that function or type definition. Click on the word to follow the hyperlink.

### NOTE

---

*Due to management and file size considerations, only the first occurrence of the reference on each page is an active link. Subsequent references on the same page will not be actively linked to the definition and will use the standard, nonunderlined **BOLD Monospace** typeface. Find the first instance of the name (in the underlined **BOLD Monospace** typeface) on the page and click on the word to jump to the function or type definition.*

---

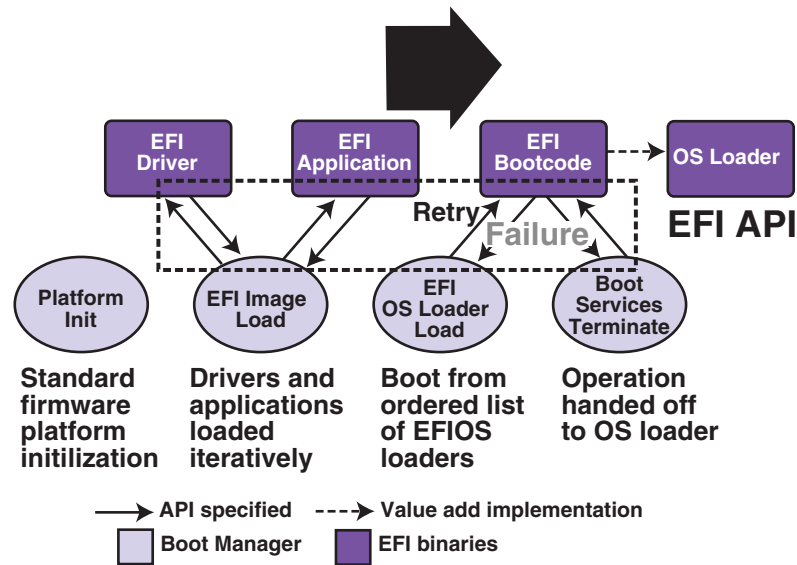
<i>Italic Monospace</i>	In code or in text, words in <i>Italic Monospace</i> indicate placeholder names for variable information that must be supplied (i.e., arguments).
-------------------------	---





# 2 Overview

UEFI allows the extension of platform firmware by loading UEFI driver and UEFI application images. When UEFI drivers and UEFI applications are loaded they have access to all UEFI-defined runtime and boot services. See Figure 2.



OM13144

**Figure 2. Booting Sequence**

UEFI allows the consolidation of boot menus from the OS loader and platform firmware into a single platform firmware menu. These platform firmware menus will allow the selection of any UEFI OS loader from any partition on any boot medium that is supported by UEFI boot services. An UEFI OS loader can support multiple options that can appear on the user interface. It is also possible to include legacy boot options, such as booting from the A: or C: drive in the platform firmware boot menus.

UEFI supports booting from media that contain an UEFI OS loader or a UEFI-defined System Partition. A UEFI-defined System Partition is required by UEFI to boot from a block device. UEFI does not require any change to the first sector of a partition, so it is possible to build media that will boot on both legacy architectures and UEFI platforms.

## 2.1 Boot Manager

UEFI contains a boot manager that allows the loading of applications written to this specification (including OS 1st stage loader) or UEFI drivers from any file on an UEFI-defined file system or through the use of an UEFI-defined image loading service. UEFI defines NVRAM variables that are used to point to the file to be loaded. These variables also contain application specific data that are passed directly to the UEFI application. The variables also contain a human readable Unicode string that can be displayed to the user in a menu.

The variables defined by UEFI allow the system firmware to contain a boot menu that can point to all the operating systems, and even multiple versions of the same operating systems. The design goal of UEFI was to have one set of boot menus that could live in platform firmware. UEFI only specifies the NVRAM variables used in selecting boot options. UEFI leaves the implementation of the menu system as value added implementation space.

UEFI greatly extends the boot flexibility of a system over the current state of the art in the PC-AT-class system. The PC-AT-class systems today are restricted to boot from the first floppy, hard drive, CD-ROM, USB keys, or network card attached to the system. Booting from a common hard drive can cause lots of interoperability problems between operating systems, and different versions of operating systems from the same vendor.

### 2.1.1 UEFI Images

UEFI Images are a class of files defined by UEFI that contain executable code. The most distinguishing feature of UEFI Images is that the first set of bytes in the UEFI Image file contains an image header that defines the encoding of the executable image.

UEFI uses a subset of the PE32+ image format with a modified header signature. The modification to signature value in the PE32+ image is done to distinguish UEFI images from normal PE32 executables. The “+” addition to PE32 provides the 64-bit relocation fix-up extensions to standard PE32 format.

For images with the UEFI image signature, the *Subsystem* values in the PE image header are defined below. The major differences between image types are the memory type that the firmware will load the image into, and the action taken when the image’s entry point exits or returns. An application image is always unloaded when control is returned from the image’s entry point. A driver image is only unloaded if control is passed back with a UEFI error code.

```
// PE32+ Subsystem type for EFI images
#define EFI_IMAGE_SUBSYSTEM_EFI_APPLICATION      10
#define EFI_IMAGE_SUBSYSTEM_EFI_BOOT_SERVICE_DRIVER 11
#define EFI_IMAGE_SUBSYSTEM_EFI_RUNTIME_DRIVER  12
```

**Table 2. UEFI Image Memory Types**

Subsystem Type	Code Memory Type	Data Memory Type
EFI_IMAGE_SUBSYSTEM_EFI_APPLICATION	EfiLoaderCode	EfiLoaderData
EFI_IMAGE_SUBSYSTEM_EFI_BOOT_SERVICES_DRIVER	EfiBootServiceCode	EfiBootServicesData
EFI_IMAGE_SUBSYSTEM_EFI_RUNTIME_DRIVER	EfiRuntimeServicesCode	EfiRuntimeServicesData

The *Machine* value that is found in the PE image file header is used to indicate the machine code type of the image. The machine code types defined for images with the UEFI image signature are defined below. A given platform must implement the image type native to that platform and the image type for EFI Byte Code (EBC). Support for other machine code types is optional to the platform.

```
// PE32+ Machine type for EFI images
#define EFI_IMAGE_MACHINE_IA32      0x014c
#define EFI_IMAGE_MACHINE_IA64     0x0200
#define EFI_IMAGE_MACHINE_EBC      0x0EBC
#define EFI_IMAGE_MACHINE_x64     0x8664
```

A UEFI image is loaded into memory through the LoadImage () Boot Service. This service loads an image with a PE32+ format into memory. This PE32+ loader is required to load all the sections of the PE32+ image into memory. Once the image is loaded into memory, and the appropriate “fix-ups” have been performed, control is transferred to a loaded image at the *AddressOfEntryPoint* reference according to the normal indirect calling conventions of applications based on supported 32-bit or supported 64-bit processors. All other linkage to and from an UEFI image is done programmatically.

## 2.1.2 Applications

Applications written to this specification are loaded by the Boot Manager or by other UEFI applications. To load an application the firmware allocates enough memory to hold the image, copies the sections within the application to the allocated memory and applies the relocation fix-ups needed. Once done, the allocated memory is set to be the proper type for code and data for the image. Control is then transferred to the application’s entry point. When the application returns from its entry point, or when it calls the Boot Service Exit (), the application is unloaded from memory and control is returned to the UEFI component that loaded the application.

When the Boot Manager loads an application, the image handle may be used to locate the “load options” for the application. The load options are stored in nonvolatile storage and are associated with the application being loaded and executed by the Boot Manager.

### 2.1.3 UEFI OS Loaders

An OS loader is a special type of UEFI application that normally takes over control of the system from firmware conforming to this specification. When loaded, the OS loader behaves like any other UEFI application in that it must only use memory it has allocated from the firmware and can only use UEFI services and protocols to access the devices that the firmware exposes. If the OS Loader includes any boot service style driver functions, it must use the proper UEFI interfaces to obtain access to the bus specific-resources. That is, I/O and memory-mapped device registers must be accessed through the proper bus specific I/O calls like those that an UEFI driver would perform.

If the OS loader experiences a problem and cannot load its operating system correctly, it can release all allocated resources and return control back to the firmware via the Boot Service **Exit()** call. The **Exit()** call allows both an error code and *ExitData* to be returned. The *ExitData* contains both a Unicode string and OS loader-specific data to be returned.

If the OS loader successfully loads its operating system, it can take control of the system by using the Boot Service **ExitBootServices()**. After successfully calling **ExitBootServices()**, all boot services in the system are terminated, including memory management, and the OS loader is responsible for the continued operation of the system.

### 2.1.4 UEFI Drivers

UEFI Drivers are loaded by the Boot Manager, firmware conforming to this specification, or by other UEFI applications. To load an UEFI Driver the firmware allocates enough memory to hold the image, copies the sections within the driver to the allocated memory and applies the relocation fix-ups needed. Once done, the allocated memory is set to be the proper type for code and data for the image. Control is then transferred to the driver's entry point. When the driver returns from its entry point, or when it calls the Boot Service **Exit()**, the driver is optionally unloaded from memory and control is returned to the component that loaded the driver. A driver is not unloaded from memory if it returns a status code of **EFI\_SUCCESS**. If the driver's return code is an error status code, then the driver is unloaded from memory.

There are two types of UEFI Drivers. These are Boot Service Drivers and Runtime Drivers. The only difference between these two driver types is that Runtime Drivers are available after an OS Loader has taken control of the platform with the Boot Service **ExitBootServices()**.

Boot Service Drivers are terminated when **ExitBootServices()** is called, and all the memory resources consumed by the Boot Service Drivers are released for use in the operating system environment. A runtime driver of type `EFI_IMAGE_SUBSYSTEM_EFI_RUNTIME_DRIVER` gets fixed up with virtual mappings when the OS calls **SetVirtualAddressMap()**.

## 2.2 Firmware Core

This section provides an overview of the services defined by UEFI. These include boot services and runtime services.

### 2.2.1 UEFI Services

The purpose of the UEFI interfaces is to define a common boot environment abstraction for use by loaded UEFI images, which include UEFI drivers, UEFI applications, and UEFI OS loaders. The calls are defined with a full 64-bit interface, so that there is headroom for future growth. The goal of this set of abstracted platform calls is to allow the platform and OS to evolve and innovate independently of one another. Also, a standard set of primitive runtime services may be used by operating systems.

Platform interfaces defined in this chapter allow the use of standard Plug and Play Option ROMs as the underlying implementation methodology for the boot services. The interfaces have been designed in such a way as to map back into legacy interfaces. These interfaces have in no way been burdened with any restrictions inherent to legacy Option ROMs.

The UEFI platform interfaces are intended to provide an abstraction between the platform and the OS that is to boot on the platform. The UEFI specification also provides abstraction between diagnostics or utility programs and the platform; however, it does not attempt to implement a full diagnostic OS environment. It is envisioned that a small diagnostic OS-like environment can be easily built on top of an UEFI system. Such a diagnostic environment is not described by this specification.

Interfaces added by this specification are divided into the following categories and are detailed later in this document:

- Runtime services
- Boot services interfaces, with the following subcategories:
  - Global boot service interfaces
  - Device handle-based boot service interfaces
  - Device protocols
  - Protocol services

## 2.2.2 Runtime Services

This section describes UEFI runtime service functions. The primary purpose of the runtime services is to abstract minor parts of the hardware implementation of the platform from the OS. Runtime service functions are available during the boot process and also at runtime provided the OS switches into flat physical addressing mode to make the runtime call. However, if the OS loader or OS uses the Runtime Service [SetVirtualAddressMap\(\)](#) service, the OS will only be able to call runtime services in a virtual addressing mode. All runtime interfaces are non-blocking interfaces and can be called with interrupts disabled if desired.

In all cases memory used by the runtime services must be reserved and not used by the OS. runtime services memory is always available to an UEFI function and will never be directly manipulated by the OS or its components. UEFI is responsible for defining the hardware resources used by runtime services, so the OS can synchronize with those resources when runtime service calls are made, or guarantee that the OS never uses those resources.

Table 3 lists the Runtime Services functions.

**Table 3. UEFI Runtime Services**

Name	Description
<a href="#"><u>GetTime()</u></a>	Returns the current time, time context, and time keeping capabilities.
<a href="#"><u>SetTime()</u></a>	Sets the current time and time context.
<a href="#"><u>GetWakeupTime()</u></a>	Returns the current wakeup alarm settings.
<a href="#"><u>SetWakeupTime()</u></a>	Sets the current wakeup alarm settings.
<a href="#"><u>GetVariable()</u></a>	Returns the value of a named variable.
<a href="#"><u>GetNextVariableName()</u></a>	Enumerates variable names.
<a href="#"><u>SetVariable()</u></a>	Sets, and if needed creates, a variable.
<a href="#"><u>SetVirtualAddressMap()</u></a>	Switches all runtime functions from physical to virtual addressing.
<a href="#"><u>ConvertPointer()</u></a>	Used to convert a pointer from physical to virtual addressing.
<a href="#"><u>GetNextHighMonotonicCount()</u></a>	Subsumes the platform's monotonic counter functionality.
<a href="#"><u>ResetSystem()</u></a>	Resets all processors and devices and reboots the system.
<a href="#"><u>UpdateCapsule()</u></a>	Passes capsules to the firmware with both virtual and physical mapping.
<a href="#"><u>QueryCapsuleCapabilities()</u></a>	Returns if the capsule can be supported via <a href="#"><u>UpdateCapsule()</u></a> .
<a href="#"><u>QueryVariableInfo()</u></a>	Returns information about the EFI variable store.

## 2.3 Calling Conventions

Unless otherwise stated, all functions defined in the UEFI specification are called through pointers in common, architecturally defined, calling conventions found in C compilers. Pointers to the various global UEFI functions are found in the **EFI\_RUNTIME\_SERVICES** and **EFI\_BOOT\_SERVICES** tables that are located via the system table. Pointers to other functions defined in this specification are located dynamically through device handles. In all cases, all pointers to UEFI functions are cast with the word **EFIAPI**. This allows the compiler for each architecture to supply the proper compiler keywords to achieve the needed calling conventions. When passing pointer arguments to Boot Services, Runtime Services, and Protocol Interfaces, the caller has the following responsibilities:

1. It is the caller's responsibility to pass pointer parameters that reference physical memory locations. If a pointer is passed that does not point to a physical memory location (i.e. a memory mapped I/O region), the results are unpredictable and the system may halt.
2. It is the caller's responsibility to pass pointer parameters with correct alignment. If an unaligned pointer is passed to a function, the results are unpredictable and the system may halt.
3. It is the caller's responsibility to not pass in a **NULL** parameter to a function unless it is explicitly allowed. If a **NULL** pointer is passed to a function, the results are unpredictable and the system may hang.
4. Unless otherwise stated, a caller should not make any assumptions regarding the state of pointer parameters if the function returns with an error.
5. A caller may not pass structures that are larger than native size by value and these structures must be passed by reference (via a pointer) by the caller. Passing a structure larger than native width (4 bytes on supported 32-bit processors; 8 bytes on supported 64-bit processor instructions) on the stack will produce undefined results.

Calling conventions for supported 32-bit and supported 64-bit applications are described in more detail below. Any function or protocol may return any valid return code.

All public interfaces of a UEFI module must follow the UEFI calling convention. Public interfaces include the image entry point, UEFI event handlers, and protocol member functions. The type **EFIAPI** is used to indicate conformance to the calling conventions defined in this chapter. Non public interfaces, such as private functions and static library calls, are not required to follow the UEFI calling conventions and may be optimized by the compiler.

## 2.3.1 Data Types

Table 4 lists the common data types that are used in the interface definitions, and Table 5 lists their modifiers. Unless otherwise specified all data types are naturally aligned. Structures are aligned on boundaries equal to the largest internal datum of the structure and internal data are implicitly padded to achieve natural alignment.

**Table 4. Common UEFI Data Types**

Mnemonic	Description
BOOLEAN	Logical Boolean. 1-byte value containing a 0 for <b>FALSE</b> or a 1 for <b>TRUE</b> . Other values are undefined.
INTN	Signed value of native width. (4 bytes on supported 32-bit processor instructions, 8 bytes on supported 64-bit processor instructions)
UINTN	Unsigned value of native width. (4 bytes on supported 32-bit processor instructions, 8 bytes on supported 64-bit processor instructions)
INT8	1-byte signed value.
UINT8	1-byte unsigned value.
INT16	2-byte signed value.
UINT16	2-byte unsigned value.
INT32	4-byte signed value.
UINT32	4-byte unsigned value.
INT64	8-byte signed value.
UINT64	8-byte unsigned value.
CHAR8	1-byte Character.
CHAR16	2-byte Character. Unless otherwise specified all strings are stored in the UTF-16 encoding format as defined by Unicode 2.1 and ISO/IEC 10646 standards.
VOID	Undeclared type.
EFI_GUID	128-bit buffer containing a unique identifier value. Unless otherwise specified, aligned on a 64-bit boundary.
EFI_STATUS	Status code. Type INTN.
EFI_HANDLE	A collection of related interfaces. Type VOID *.
EFI_EVENT	Handle to an event structure. Type VOID *.
EFI_LBA	Logical block address. Type UINT64.
EFI_TPL	Task priority level. Type UINTN.
EFI_MAC_ADDRESS	32-byte buffer containing a network Media Access Control address.
EFI_IPv4_ADDRESS	4-byte buffer. An IPv4 internet protocol address.
EFI_IPv6_ADDRESS	16-byte buffer. An IPv6 internet protocol address.
EFI_IP_ADDRESS	16-byte buffer aligned on a 4-byte boundary. An IPv4 or IPv6 internet protocol address.
<Enumerated Type>	Element of a standard ANSI C <b>enum</b> type declaration. Type INT32.
sizeof (VOID *)	4 bytes on supported 32-bit processor instructions. 8 bytes on supported 64-bit processor instructions.



**Table 5. Modifiers for Common UEFI Data Types**

Mnemonic	Description
IN	Datum is passed to the function.
OUT	Datum is returned from the function.
OPTIONAL	Passing the datum to the function is optional, and a <b>NULL</b> may be passed if the value is not supplied.
CONST	Datum is read-only.
EFIAPI	Defines the calling convention for UEFI interfaces.

### 2.3.2 IA-32 Platforms

All functions are called with the C language calling convention. The general-purpose registers that are volatile across function calls are **eax**, **ecx**, and **edx**. All other general-purpose registers are nonvolatile and are preserved by the target function. In addition, unless otherwise specified by the function definition, all other registers are preserved.

Firmware boot services and runtime services run in the following processor execution mode prior to the OS calling `ExitBootServices()`:

- Uniprocessor
- Protected mode
- Paging mode not enabled
- Selectors are set to be flat and are otherwise not used
- Interrupts are enabled—though no interrupt services are supported other than the UEFI boot services timer functions (All loaded device drivers are serviced synchronously by “polling.”)
- Direction flag in EFLAGS is clear
- Other general purpose flag registers are undefined
- 128 KB, or more, of available stack space

An application written to this specification may alter the processor execution mode, but the UEFI image must ensure firmware boot services and runtime services are executed with the prescribed execution environment.

After an Operating System calls `ExitBootServices()`, firmware boot services are no longer available and it is illegal to call any boot service. After `ExitBootServices`, firmware runtime services are still available and may be called with paging enabled and virtual address pointers if `SetVirtualAddressMap()` has been called describing all virtual address ranges used by the firmware runtime service.

For an operating system to use any UEFI runtime services, it must:

- Preserve all memory in the memory map marked as runtime code and runtime data
- Call the runtime service functions, with the following conditions:
  - In protected mode
  - Paging *not* enabled
  - Direction flag in EFLAGS clear

- 4 KB, or more, of available stack space
- Interrupts disabled
- ACPI Tables loaded at boot time can be contained in memory of type **EfiACPIReclaimMemory** (recommended) or **EfiACPIMemoryNVS**. ACPI FACS must be contained in memory of type **EfiACPIMemoryNVS**.
- The system firmware must not request a virtual mapping for any memory descriptor of type **EfiACPIReclaimMemory** or **EfiACPIMemoryNVS**.
- EFI memory descriptors of type **EfiACPIReclaimMemory** and **EfiACPIMemoryNVS** must be aligned on a 4 KB boundary and must be a multiple of 4 KB in size.
- Any UEFI memory descriptor that requests a virtual mapping via the **EFI\_MEMORY\_DESCRIPTOR** having the **EFI\_MEMORY\_RUNTIME** bit set must be aligned on a 4 KB boundary and must be a multiple of 4 KB in size.
- An ACPI Memory Op-region must inherit cacheability attributes from the UEFI memory map. If the system memory map does not contain cacheability attributes, the ACPI Memory Op-region must inherit its cacheability attributes from the ACPI name space. If no cacheability attributes exist in the system memory map or the ACPI name space, then the region must be assumed to be non-cacheable.
- ACPI tables loaded at runtime must be contained in memory of type **EfiACPIMemoryNVS**. The cacheability attributes for ACPI tables loaded at runtime should be defined in the UEFI memory map. If no information about the table location exists in the UEFI memory map, the table is assumed to be non-cached.
- In general, UEFI Configuration Tables loaded at boot time (e.g., SMBIOS table) can be contained in memory of type **EfiRuntimeServicesData** (recommended and the system firmware must not request a virtual mapping), **EfiBootServicesdata**, **EfiACPIReclaimMemory** or **EfiACPIMemoryNVS**. Tables loaded at runtime must be contained in memory of type **EfiRuntimeServicesData** (recommended) or **EfiACPIMemoryNVS**.

## NOTE

---

*Previous EFI specifications allowed ACPI tables loaded at runtime to be in the **EfiReservedMemoryType** and there was no guidance provided for other EFI Configuration Tables. **EfiReservedMemoryType** is not intended to be used by firmware. UEFI 2.0 intends to clarify the situation moving forward. Also, only OSes conforming to UEFI 2.0 are guaranteed to handle SMBIOS table in memory of type **EfiBootServicesdata**.*

---

### 2.3.2.1 Handoff State

When a 32-bit UEFI OS is loaded, the system firmware hands off control to the OS in flat 32-bit mode. All descriptors are set to their 4 GB limits so that all of memory is accessible from all segments.

Figure 3 shows the stack after *AddressOfEntryPoint* in the image's PE32+ header has been called on supported 32-bit systems. All UEFI image entry points take two parameters. These are the image handle of the UEFI image, and a pointer to the EFI System Table.

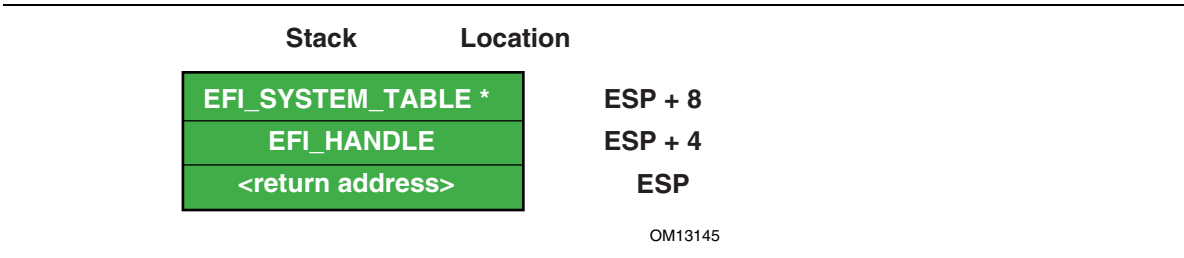


Figure 3. Stack after *AddressOfEntryPoint* Called, IA- 32

### 2.3.3 Itanium®-based Platforms

UEFI executes as an extension to the SAL execution environment with the same rules as laid out by the SAL specification.

During boot services time the processor is in the following execution mode:

- Uniprocessor
- Physical mode
- 128 KB, or more, of available stack space
- 16 KB, or more, of available backing store space
- May only use the lower 32 floating point registers

An application written to this specification may alter the processor execution mode, but the UEFI image must ensure firmware boot services and runtime services are executed with the prescribed execution environment.

After an Operating System calls `ExitBootServices()`, firmware boot services are no longer available and it is illegal to call any boot service. After `ExitBootServices`, firmware runtime services are still available and may be called in virtual mode with virtual address pointers if `SetVirtualAddressMap()` has been called describing all virtual address ranges used by the firmware runtime service.

- ACPI Tables loaded at boot time can be contained in memory of type **EfiACPIReclaimMemory** (recommended) or **EfiACPIMemoryNVS**. ACPI FACS must be contained in memory of type **EfiACPIMemoryNVS**.
- The system firmware must not request a virtual mapping for any memory descriptor of type **EfiACPIReclaimMemory** or **EfiACPIMemoryNVS**.
- EFI memory descriptors of type **EfiACPIReclaimMemory** and **EfiACPIMemoryNVS**. must be aligned on an 8 KB boundary and must be a multiple of 8 KB in size.

- Any UEFI memory descriptor that requests a virtual mapping via the **EFI\_MEMORY\_DESCRIPTOR** having the **EFI\_MEMORY\_RUNTIME** bit set must be aligned on an 8 KB boundary and must be a multiple of 8 KB in size.
- An ACPI Memory Op-region must inherit cacheability attributes from the UEFI memory map. If the system memory map does not contain cacheability attributes the ACPI Memory Op-region must inherit its cacheability attributes from the ACPI name space. If no cacheability attributes exist in the system memory map or the ACPI name space, then the region must be assumed to be non-cacheable.
- ACPI tables loaded at runtime must be contained in memory of type **EfiACPIMemoryNVS**. The cacheability attributes for ACPI tables loaded at runtime should be defined in the UEFI memory map. If no information about the table location exists in the UEFI memory map, the table is assumed to be non-cached.
- In general, Configuration Tables loaded at boot time (e.g., SMBIOS table) can be contained in memory of type **EfiRuntimeServicesData** (recommended and the system firmware must not request a virtual mapping), **EfiBootServicesdata**, **EfiACPIReclaimMemory** or **EfiACPIMemoryNVS**. Tables loaded at runtime must be contained in memory of type **EfiRuntimeServicesData** (recommended) or **EfiACPIMemoryNVS**.

## NOTE

---

*Previous EFI specifications allowed ACPI tables loaded at runtime to be in the **EfiReservedMemoryType** and there was no guidance provided for other EFI Configuration Tables. **EfiReservedMemoryType** is not intended to be used by firmware. UEFI 2.0 intends to clarify the situation moving forward. Also, only OSes conforming to UEFI 2.0 are guaranteed to handle SMBIOS table in memory of type **EfiBootServicesdata**.*

---

Refer to the *IA-64 System Abstraction Layer Specification* (see the References appendix) for details.

UEFI procedures are invoked using the P64 C calling conventions defined for Itanium-based applications. Refer to the document *64 Bit Runtime Architecture and Software Conventions for IA-64* (see the References appendix) for more information.

### 2.3.3.1 Handoff State

UEFI uses the standard P64 C calling conventions that are defined for Itanium-based operating systems. Figure 4 shows the stack after **ImageEntryPoint** has been called on Itanium-based systems. The arguments are also stored in registers: **out0** contains **EFI\_HANDLE** and **out1** contains the address of the **EFI\_SYSTEM\_TABLE**. The **gp** for the UEFI Image will have been loaded from the *plabel* pointed to by the *AddressOfEntryPoint* in the image's PE32+ header. All UEFI image entry points take two parameters. These are the image handle of the image, and a pointer to the System Table.

---

Stack	Location	Register
EFI_SYSTEM_TABLE *	SP + 8	out1
EFI_HANDLE	SP	out0

OM13146

---

**Figure 4. Stack after *AddressOfEntryPoint* Called, Itanium-based Systems**

The SAL specification (see the References appendix) defines the state of the system registers at boot handoff. The SAL specification also defines which system registers can only be used after UEFI boot services have been properly terminated.

### 2.3.4 x64 Platforms

All functions are called with the C language calling convention. See “Detailed Calling Convention” Section 2.3.4.2 for more detail.

During boot services time the processor is in the following execution mode:

- Uniprocessor
- Long mode, in 64-bit mode
- Paging mode is enabled and any memory space defined by the UEFI memory map is identity mapped (virtual address equals physical address). The mappings to other regions are undefined and may vary from implementation to implementation.
- Selectors are set to be flat and are otherwise not used.
- Interrupts are enabled—though no interrupt services are supported other than the UEFI boot services timer functions (All loaded device drivers are serviced synchronously by “polling.”)
- Direction flag in EFLAGS is clear
- Other general purpose flag registers are undefined
- 128 KB, or more, of available stack space

For an operating system to use any UEFI runtime services, it must:

- Preserve all memory in the memory map marked as runtime code and runtime data
- Call the runtime service functions, with the following conditions:
- In long mode, in 64-bit mode
- Paging enabled

- All selectors set to be flat with virtual = physical address. If the OS Loader or OS used **SetVirtualAddressMap()** to relocate the runtime services in a virtual address space, then this condition does not have to be met.
  - Direction flag in EFLAGS clear
  - 4 KB, or more, of available stack space
  - Interrupts disabled at the discretion of the OS.
    - Firmware may need to block interrupts in its runtime services if it enters a critical section. This is like raising the TPL level in boot services.
- ACPI Tables loaded at boot time can be contained in memory of type **EfiACPIReclaimMemory** (recommended) or **EfiACPIMemoryNVS**. ACPI FACS must be contained in memory of type **EfiACPIMemoryNVS**.
- The system firmware must not request a virtual mapping for any memory descriptor of type **EfiACPIReclaimMemory** or **EfiACPIMemoryNVS**.
- EFI memory descriptors of type **EfiACPIReclaimMemory** and **EfiACPIMemoryNVS** must be aligned on a 4 KB boundary and must be a multiple of 4 KB in size.
- Any UEFI memory descriptor that requests a virtual mapping via the **EFI\_MEMORY\_DESCRIPTOR** having the **EFI\_MEMORY\_RUNTIME** bit set must be aligned on a 4 KB boundary and must be a multiple of 4 KB in size.
- An ACPI Memory Op-region must inherit cacheability attributes from the UEFI memory map. If the system memory map does not contain cacheability attributes, the ACPI Memory Op-region must inherit its cacheability attributes from the ACPI name space. If no cacheability attributes exist in the system memory map or the ACPI name space, then the region must be assumed to be non-cacheable.
- 1. ACPI tables loaded at runtime must be contained in memory of type **EfiACPIMemoryNVS**. The cacheability attributes for ACPI tables loaded at runtime should be defined in the UEFI memory map. If no information about the table location exists in the UEFI memory map, the table is assumed to be non-cached.
- 2. In general, UEFI Configuration Tables loaded at boot time (e.g., SMBIOS table) can be contained in memory of type **EfiRuntimeServicesData** (recommended and the system firmware must not request a virtual mapping), **EfiBootServicesdata**, **EfiACPIReclaimMemory** or **EfiACPIMemoryNVS**. Tables loaded at runtime must be contained in memory of type **EfiRuntimeServicesData** (recommended) or **EfiACPIMemoryNVS**.

## NOTE

---

*Previous EFI specifications allowed ACPI tables loaded at runtime to be in the **EfiReservedMemoryType** and there was no guidance provided for other EFI Configuration Tables. **EfiReservedMemoryType** is not intended to be used by firmware. UEFI 2.0 intends to clarify the situation moving forward. Also, only OSes conforming to UEFI 2.0 are guaranteed to handle SMBIOS table in memory of type **EfiBootServicesdata**.*

---

### 2.3.4.1 Handoff State

Rcx – EFI\_HANDLE

Rdx – EFI\_SYSTEM\_TABLE \*

RSP - <return address>

### 2.3.4.2 Detailed Calling Conventions

The caller passes the first four integer arguments in registers. The integer values are passed from left to right in Rcx, Rdx, R8, and R9 registers. The caller passes arguments five and above onto the stack. All arguments must be right-justified in the register in which they are passed. This ensures the callee can process only the bits in the register that are required.

The caller passes arrays and strings via a pointer to memory allocated by the caller. The caller passes structures and unions of size 8, 16, 32, or 64 bits as if they were integers of the same size. The caller is not allowed to pass structures and unions of other than these sizes and must pass these unions and structures via a pointer.

The callee must dump the register parameters into their shadow space if required. The most common requirement is to take the address of an argument.

If the parameters are passed through varargs then essentially the typical parameter passing applies, including spilling the fifth and subsequent arguments onto the stack. The callee must dump the arguments that have their address taken.

Return values that fit into 64-bits are returned in the Rax register. If the return value does not fit within 64-bits, then the caller must allocate and pass a pointer for the return value as the first argument, Rcx. Subsequent arguments are then shifted one argument to the right, so for example argument one would be passed in Rdx. User-defined types to be returned must be 1,2,4,8,16,32, or 64 bits in length.

The registers Rax, Rcx Rdx R8, R9, R10, R11, and XMM0-XMM5 are volatile and are, therefore, destroyed on function calls.

The registers RBX, RBP, RDI, RSI, R12, R13, R14, R15, and XMM6-XMM15 are considered nonvolatile and must be saved and restored by a function that uses them.

Function pointers are pointers to the label of the respective function and don't require special treatment.

### 2.3.4.3 Enabling Paging or Alternate Translations in an Application

Boot Services define an execution environment where paging is not enabled (supported 32-bit) or where translations are enabled but mapped virtual equal physical (x64) and this section will describe how to write an application with alternate translations or with paging enabled. Some Operating Systems require the OS Loader to be able to enable OS required translations at Boot Services time.

If a UEFI application uses its own page tables, GDT or IDT, the application must ensure that the firmware executes with each supplanted data structure. There are two ways that firmware conforming to this specification can execute when the application has paging enabled.

1. Explicit firmware call
2. Firmware preemption of application via timer event

An application with translations enabled can restore firmware required mapping before each UEFI call. However the possibility of preemption may require the translation enabled application to disable interrupts while alternate translations are enabled. It's legal for the translation enabled application to enable interrupts if the application catches the interrupt and restores the EFI firmware environment prior to calling the UEFI interrupt ISR. After the UEFI ISR context is executed it will return to the translation enabled application context and restore any mappings required by the application.

## 2.4 Protocols

The protocols that a device handle supports are discovered through the **HandleProtocol ()** Boot Service or the **OpenProtocol ()** Boot Service. Each protocol has a specification that includes the following:

- The protocol's globally unique ID (GUID)
- The Protocol Interface structure
- The Protocol Services

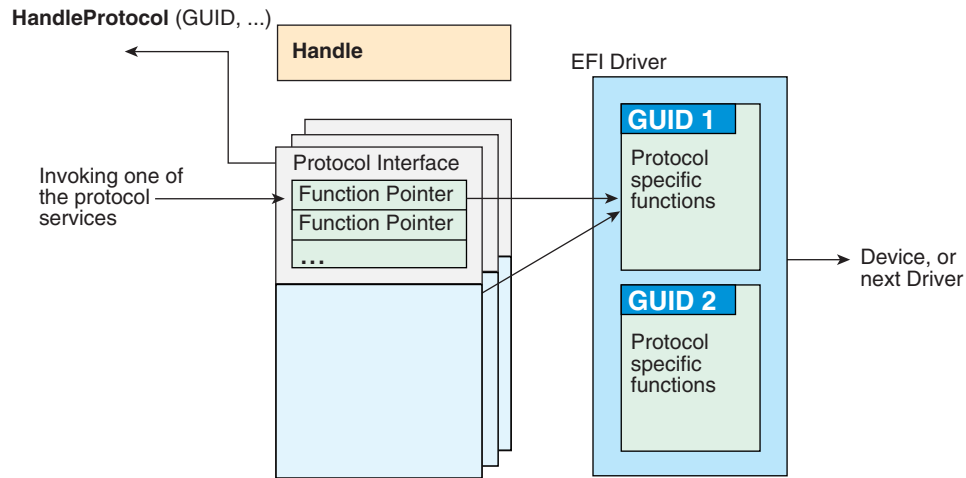
Unless otherwise specified a protocol's interface structure is not allocated from runtime memory and the protocol member functions should not be called at runtime. If not explicitly specified a protocol member function can be called at a TPL level of less than or equal to **TPL NOTIFY**. Unless otherwise specified a protocol's member function is not reentrant or MP safe.

Any status codes defined by the protocol member function definition are required to be implemented, Additional error codes may be returned, but they will not be tested by standard compliance tests, and any software that uses the procedure cannot depend on any of the extended error codes that an implementation may provide.

To determine if the handle supports any given protocol, the protocol's GUID is passed to **HandleProtocol ()** or **OpenProtocol ()**. If the device supports the requested protocol, a pointer to the defined Protocol Interface structure is returned. The Protocol Interface structure links the caller to the protocol-specific services to use for this device.



Figure 5 shows the construction of a protocol. The UEFI driver contains functions specific to one or more protocol implementations, and registers them with the Boot Service **InstallProtocolInterface()**. The firmware returns the Protocol Interface for the protocol that is then used to invoke the protocol specific services. The UEFI driver keeps private, device-specific context with protocol interfaces.



**Figure 5. Construction of a Protocol**

The following C code fragment illustrates the use of protocols:

```
// There is a global "EffectsDevice" structure. This
// structure contains information pertinent to the device.

// Connect to the ILLUSTRATION_PROTOCOL on the EffectsDevice,
// by calling HandleProtocol with the device's EFI device handle
// and the ILLUSTRATION_PROTOCOL GUID.

EffectsDevice.Handle = DeviceHandle;
Status = HandleProtocol (
    EffectsDevice.EFIHandle,
    &IllustrationProtocolGuid,
    &EffectsDevice.IllustrationProtocol
);

// Use the EffectsDevice illustration protocol's "MakeEffects"
// service to make flashy and noisy effects.

Status = EffectsDevice.IllustrationProtocol->MakeEffects (
    EffectsDevice.IllustrationProtocol,
    TheFlashyAndNoisyEffect
);
```

Table 6 lists the UEFI protocols defined by this specification.

**Table 6. UEFI Protocols**

<b>Protocol</b>	<b>Description</b>
<u>LOADED IMAGE</u>	Provides information on the image.
<u>DEVICE PATH</u>	Provides the location of the device.
<u>DRIVER BINDING</u>	Provides services to determine if an UEFI driver supports a given controller, and services to start and stop a given controller.
<u>PLATFORM DRIVER OVERRIDE</u>	Provide a platform specific override mechanism for the selection of the best driver for a given controller.
<u>BUS SPECIFIC DRIVER OVERRIDE</u>	Provides a bus specific override mechanism for the selection of the best driver for a given controller.
<u>DRIVER CONFIGURATION</u>	Provides user configuration options for UEFI drivers and the controllers that the drivers are managing.
<u>DRIVER DIAGNOSTICS</u>	Provides diagnostics services for the controllers that UEFI drivers are managing.
<u>COMPONENT NAME</u>	Provides human readable names for UEFI Drivers and the controllers that the drivers are managing.
<u>SIMPLE INPUT</u>	Protocol interfaces for devices that support simple console style text input.
<u>SIMPLE TEXT OUTPUT</u>	Protocol interfaces for devices that support console style text displaying.
<u>SIMPLE POINTER</u>	Protocol interfaces for devices such as mice and trackballs.
<u>SERIAL IO</u>	Protocol interfaces for devices that support serial character transfer.
<u>LOAD FILE</u>	Protocol interface for reading a file from an arbitrary device.
<u>SIMPLE FILE SYSTEM</u>	Protocol interfaces for opening disk volume containing a UEFI file system.
<u>FILE HANDLE</u>	Provides access to supported file systems.
<u>DISK IO</u>	A protocol interface that layers onto any BLOCK_IO interface.
<u>BLOCK IO</u>	Protocol interfaces for devices that support block I/O style accesses.
<u>UNICODE COLLATION</u>	Protocol interfaces for Unicode string comparison operations.
<u>PCI ROOT BRIDGE IO</u>	Protocol interfaces to abstract memory, I/O, PCI configuration, and DMA accesses to a PCI root bridge controller.
<u>PCI IO</u>	Protocol interfaces to abstract memory, I/O, PCI configuration, and DMA accesses to a PCI controller on a PCI bus.
<u>USB IO</u>	Protocol interfaces to abstract access to a USB controller.
<u>SIMPLE NETWORK</u>	Provides interface for devices that support packet based transfers.
<u>PXE BC</u>	Protocol interfaces for devices that support network booting.

<b>Protocol</b>	<b>Description</b>
<u><b>BIS</b></u>	Protocol interfaces to validate boot images before they are loaded and invoked.
<u><b>DEBUG SUPPORT</b></u>	Protocol interfaces to save and restore processor context and hook processor exceptions.
<u><b>DEBUG PORT</b></u>	Protocol interface that abstracts a byte stream connection between a debug host and a debug target system.
<u><b>DECOMPRESS</b></u>	Protocol interfaces to decompress an image that was compressed using the EFI Compression Algorithm.
<u><b>DEVICE IO</b></u>	Protocol interfaces for performing device I/O.
<u><b>EBC</b></u>	Protocols interfaces required to support an EFI Byte Code interpreter.
<u><b>EFI GRAPHICS OUTPUT</b></u>	Protocol interfaces for devices that support graphical output.
<u><b>EXT SCSI PASS THRU</b></u>	Protocol interfaces for a SCSI channel that allows SCSI Request Packets to be sent to SCSI devices.
<u><b>USB2 HC</b></u>	Protocol interfaces to abstract access to a USB Host Controller.
<u><b>Authentication Info</b></u>	Provides access for generic authentication information associated with specific device paths
<u><b>Device Path Utilities</b></u>	Aids in creating and manipulating device paths.
<u><b>Device Path to Text</b></u>	Converts device nodes and paths to text.
<u><b>Device Path From Text</b></u>	Converts text to device paths and device nodes.
<u><b>EDID Discovered</b></u>	Contains the EDID information retrieved from a video output device.
<u><b>EDID Active</b></u>	Contains the EDID information for an active video output device.
<u><b>Graphics Output EDID Override</b></u>	Produced by the platform to allow the platform to provide EDID information to the producer of the Graphics Output protocol
<u><b>iSCSI Initiator Name</b></u>	Sets and obtains the iSCSI Initiator Name.
<u><b>Tape IO</b></u>	Provides services to control and access a tape drive.
<u><b>Managed Network Service Binding</b></u>	Used to locate communication devices that are supported by an MNP driver and create and destroy instances of the MNP child protocol driver that can use the underlying communications devices.
<u><b>ARP Service Binding</b></u>	Used to locate communications devices that are supported by an ARP driver and to create and destroy instances of the ARP child protocol driver.
<u><b>ARP</b></u>	Used to resolve local network protocol addresses into network hardware addresses.
<u><b>DHCP4 Service Binding</b></u>	Used to locate communication devices that are supported by an EFI DHCPv4 Protocol driver and to create and destroy EFI

<b>Protocol</b>	<b>Description</b>
<u>DHCP4 Service Binding (cont.)</u>	an EFI DHCPv4 Protocol driver and to create and destroy EFI DHCPv4 Protocol child driver instances that can use the underlying communications devices.
<u>DHCP4</u>	Used to collect configuration information for the EFI IPv4 Protocol drivers and to provide DHCPv4 server and PXE boot server discovery services.
<u>TCP4 Service Binding</u>	Used to locate EFI TCPv4 Protocol drivers to create and destroy child of the driver to communicate with other host using TCP protocol.
<u>TCP4</u>	Provides services to send and receive data stream.
<u>IP4 Service Binding</u>	Used to locate communication devices that are supported by an EFI IPv4 Protocol Driver and to create and destroy instances of the EFI IPv4 Protocol child protocol driver that can use the underlying communication device.
<u>IP4</u>	Provides basic network IPv4 packet I/O services.
<u>IP4 Config</u>	The EFI IPv4 Config Protocol driver performs platform- and policy-dependent configuration of the EFI IPv4 Protocol driver.
<u>UDP4 Service Binding</u>	Used to locate communication devices that are supported by an EFI UDPv4 Protocol driver and to create and destroy instances of the EFI UDPv4 Protocol child protocol driver that can use the underlying communication device.
<u>UDP4</u>	Provides simple packet-oriented services to transmit and receive UDP packets.
<u>MTFTP4 Service Binding</u>	Used to locate communication devices that are supported by an EFI MTFTPv4 Protocol driver and to create and destroy instances of the EFI MTFTPv4 Protocol child protocol driver that can use the underlying communication device.
<u>MTFTP4</u>	Provides basic services for client-side unicast or multicast TFTP operations.
<u>Hash</u>	Allows creating a hash of an arbitrary message digest using one or more hash algorithms.
<u>HASH Service Binding</u>	Used to locate hashing services support provided by a driver and create and destroy instances of the EFI Hash Protocol so that a multiple drivers can use the underlying hashing services.

## 2.5 UEFI Driver Model

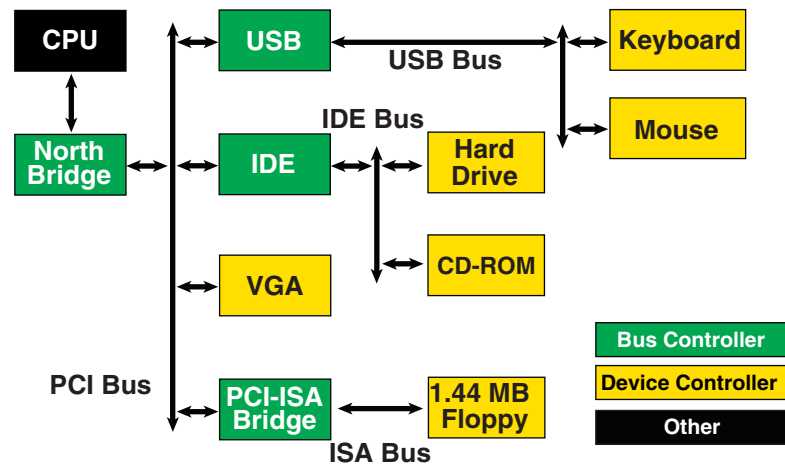
The UEFI *Driver Model* is intended to simplify the design and implementation of device drivers, and produce small executable image sizes. As a result, some complexity has been moved into bus drivers and in a larger part into common firmware services.

A device driver is required to produce a Driver Binding Protocol on the same image handle on which the driver was loaded. It then waits for the system firmware to connect the driver to a

controller. When that occurs, the device driver is responsible for producing a protocol on the controller's device handle that abstracts the I/O operations that the controller supports. A bus driver performs these exact same tasks. In addition, a bus driver is also responsible for discovering any child controllers on the bus, and creating a device handle for each child controller found.

One assumption is that the architecture of a system can be viewed as a set of one or more processors connected to one or more core chipsets. The core chipsets are responsible for producing one or more I/O buses. The *UEFI Driver Model* does not attempt to describe the processors or the core chipsets. Instead, the *UEFI Driver Model* describes the set of I/O buses produced by the core chipsets, and any children of these I/O buses. These children can either be devices or additional I/O buses. This can be viewed as a tree of buses and devices with the core chipsets at the root of that tree.

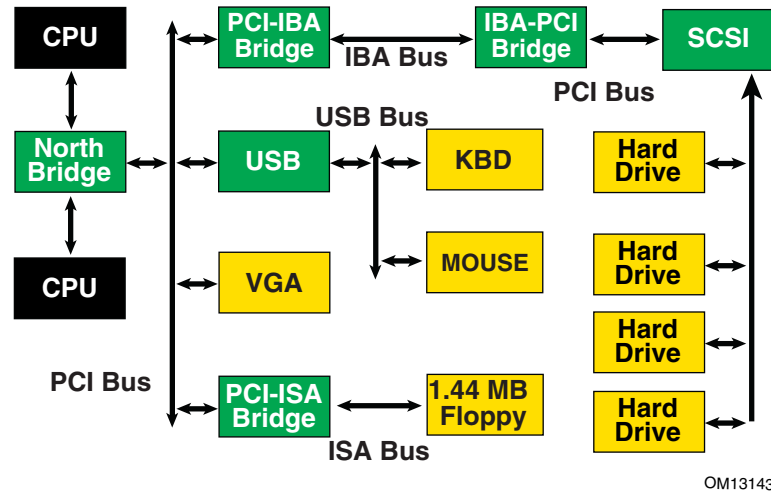
The leaf nodes in this tree structure are peripherals that perform some type of I/O. This could include keyboards, displays, disks, network, etc. The nonleaf nodes are the buses that move data between devices and buses, or between different bus types. Figure 6 shows a sample desktop system with four buses and six devices.



OM13142

Figure 6. Desktop System

Figure 7 is an example of a more complex server system. The idea is to make the UEFI *Driver Model* simple and extensible so more complex systems like the one below can be described and managed in the preboot environment. This system contains six buses and eight devices.



**Figure 7. Server System**

The combination of firmware services, bus drivers, and device drivers in any given platform is likely to be produced by a wide variety of vendors including OEMs, IBVs, and IHVs. These different components from different vendors are required to work together to produce a protocol for an I/O device that can be used to boot a UEFI compliant operating system. As a result, the UEFI *Driver Model* is described in great detail in order to increase the interoperability of these components.

This remainder of this section is a brief overview of the UEFI *Driver Model*. It describes the legacy option ROM issues that the UEFI *Driver Model* is designed to address, the entry point of a driver, host bus controllers, properties of device drivers, properties of bus drivers, and how the UEFI *Driver Model* can accommodate hot-plug events.

### 2.5.1 Legacy Option ROM Issues

Legacy option ROMs have a number of constraints and limitations that restrict innovation on the part of platform designers and adapter vendors. At the time of writing, both ISA and PCI adapters use legacy option ROMs. For the purposes of this discussion, only PCI option ROMs will be considered; legacy ISA option ROMs are not supported as part of the *UEFI Specification*.

The following is a list of the major constraints and limitations of legacy option ROMs. For each issue, the design considerations that went into the design of the UEFI *Driver Model* are also listed. Thus, the design of the UEFI *Driver Model* directly addresses the requirements for a solution to overcome the limitations implicit to PC-AT-style legacy option ROMs.

### 2.5.1.1 32-bit/16-Bit Real Mode Binaries

Legacy option ROMs typically contain 16-bit real mode code for an IA-32 processor. This means that the legacy option ROM on a PCI card cannot be used in platforms that do not support the execution of IA-32 real mode binaries. Also, 16-bit real mode only allows the driver to access directly the lower 1 MB of system memory. It is possible for the driver to switch the processor into modes other than real mode in order to access resources above 1 MB, but this requires a lot of additional code, and causes interoperability issues with other option ROMs and the system BIOS. Also, option ROMs that switch the processor into alternate execution modes are not compatible with Itanium Processors.

*UEFI Driver Model* design considerations:

- Drivers need flat memory mode with full access to system components.
- Drivers need to be written in C so they are portable between processor architectures.
- Drivers may be compiled into a virtual machine executable, allowing a single binary driver to work on machines using different processor architectures.

### 2.5.1.2 Fixed Resources for Working with Option ROMs

Since legacy option ROMs can only directly address the lower 1 MB of system memory, this means that the code from the legacy option ROM must exist below 1 MB. In a PC-AT platform, memory from 0x00000-0x9FFFF is system memory. Memory from 0xA0000-0xBFFFF is VGA memory, and memory from 0xF0000-0xFFFFF is reserved for the system BIOS. Also, since system BIOS has become more complex over the years, many platforms also use 0xE0000-0xEFFFF for system BIOS. This leaves 128 KB of memory from 0xC0000-0xDFFFF for legacy option ROMs. This limits how many legacy option ROMs can be run during BIOS POST.

Also, it is not easy for legacy option ROMs to allocate system memory. Their choices are to allocate memory from Extended BIOS Data Area (EBDA), allocate memory through a Post Memory Manager (PMM), or search for free memory based on a heuristic. Of these, only EBDA is standard, and the others are not used consistently between adapters, or between BIOS vendors, which adds complexity and the potential for conflicts.

*UEFI Driver Model* design considerations:

- Drivers need flat memory mode with full access to system components.
- Drivers need to be capable of being relocated so that they can be loaded anywhere in memory (PE/COFF Images)
- Drivers should allocate memory through the boot services. These are well-specified interfaces, and can be guaranteed to function as expected across a wide variety of platform implementations.

### 2.5.1.3 Matching Option ROMs to their Devices

It is not clear which controller may be managed by a particular legacy option ROM. Some legacy option ROMs search the entire system for controllers to manage. This can be a lengthy process depending on the size and complexity of the platform. Also, due to limitation in BIOS design, all the legacy option ROMs must be executed, and they must scan for all the peripheral devices before an operating system can be booted. This can also be a lengthy process, especially if SCSI buses

must be scanned for SCSI devices. This means that legacy option ROMs are making policy decision about how the platform is being initialized, and which controllers are managed by which legacy option ROMs. This makes it very difficult for a system designer to predict how legacy option ROMs will interact with each other. This can also cause issues with on-board controllers, because a legacy option ROM may incorrectly choose to manage the on-board controller.

*UEFI Driver Model* design considerations:

- Driver to controller matching must be deterministic
- Give OEMs more control through Platform Driver Override Protocol and Driver Configuration Protocol
- It must be possible to start only the drivers and controllers required to boot an operating system.

#### **2.5.1.4 Ties to PC-AT System Design**

Legacy option ROMs assume a PC-AT-like system architecture. Many of them include code that directly touches hardware registers. This can make them incompatible on legacy-free and headless platforms. Legacy option ROMs may also contain setup programs that assume a PC-AT-like system architecture to interact with a keyboard or video display. This makes the setup application incompatible on legacy-free and headless platforms.

*UEFI Driver Model* design considerations:

- Drivers should use well-defined protocols to interact with system hardware, system input devices, and system output devices.



### 2.5.1.5 Ambiguities in Specification and Workarounds Born of Experience

Many legacy option ROMs and BIOS code contain workarounds because of incompatibilities between legacy option ROMs and system BIOS. These incompatibilities exist in part because there are no clear specifications on how to write a legacy option ROM or write a system BIOS.

Also, interrupt chaining and boot device selection is very complex in legacy option ROMs. It is not always clear which device will be the boot device for the OS.

*UEFI Driver Model* design considerations:

- Drivers and firmware are written to follow this specification. Since both components have a clearly defined specification, compliance tests can be developed to prove that drivers and system firmware are compliant. This should eliminate the need to build workarounds into either drivers or system firmware (other than those that might be required to address specific hardware issues).
- Give OEMs more control through Platform Driver Override Protocol and Driver Configuration Protocol and other OEM value-add components to manage the boot device selection process.

### 2.5.2 Driver Initialization

The file for a driver image must be loaded from some type of media. This could include ROM, FLASH, hard drives, floppy drives, CD-ROM, or even a network connection. Once a driver image has been found, it can be loaded into system memory with the boot service **LoadImage ()**. **LoadImage ()** loads a PE/COFF formatted image into system memory. A handle is created for the driver, and a Loaded Image Protocol instance is placed on that handle. A handle that contains a Loaded Image Protocol instance is called an *Image Handle*. At this point, the driver has not been started. It is just sitting in memory waiting to be started. Figure 8 shows the state of an image handle for a driver after **LoadImage ()** has been called.

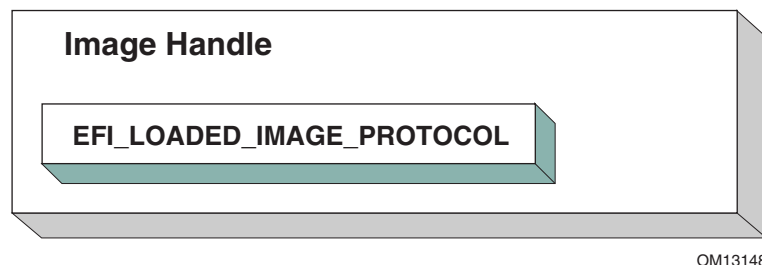


Figure 8. Image Handle

After a driver has been loaded with the boot service **LoadImage ()**, it must be started with the boot service **StartImage ()**. This is true of all types of UEFI Applications and UEFI Drivers that can be loaded and started on a UEFI-compliant system. The entry point for a driver that follows the *UEFI Driver Model* must follow some strict rules. First, it is not allowed to touch any hardware. Instead, the driver is only allowed to install protocol instances onto its own *Image Handle*. A driver that follows the *UEFI Driver Model* is *required* to install an instance of the Driver Binding Protocol onto its own *Image Handle*. It may optionally install the Driver Configuration Protocol, the Driver Diagnostics Protocol, or the Component Name Protocol. In

addition, if a driver wishes to be unloadable it may optionally update the Loaded Image Protocol to provide its own **Unload()** function. Finally, if a driver needs to perform any special operations when the boot service **ExitBootServices()** is called, it may optionally create an event with a notification function that is triggered when the boot service **ExitBootServices()** is called. An *Image Handle* that contains a Driver Binding Protocol instance is known as a *Driver Image Handle*. Figure 9 shows a possible configuration for the *Image Handle* from Figure 8 after the boot service **StartImage()** has been called.

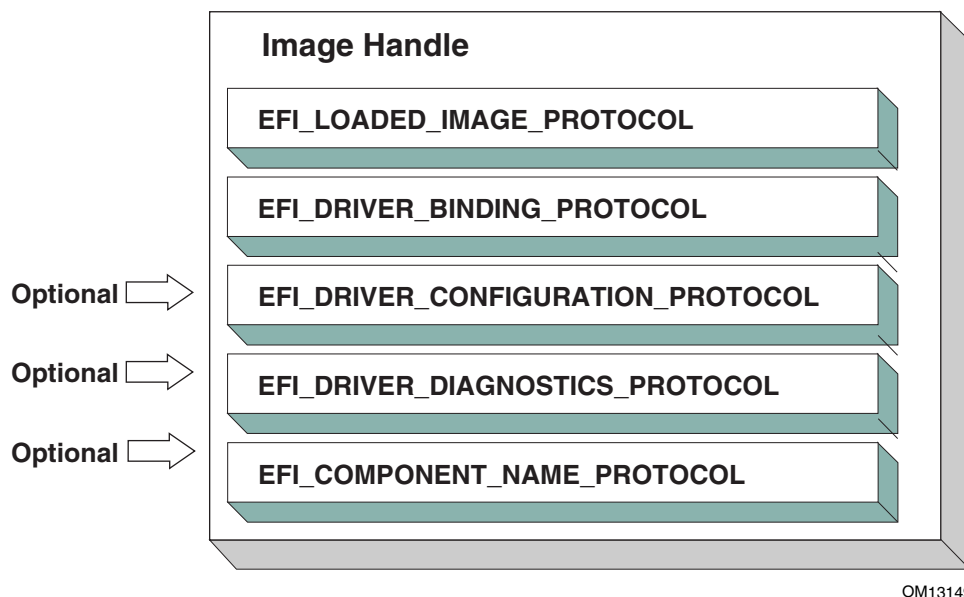
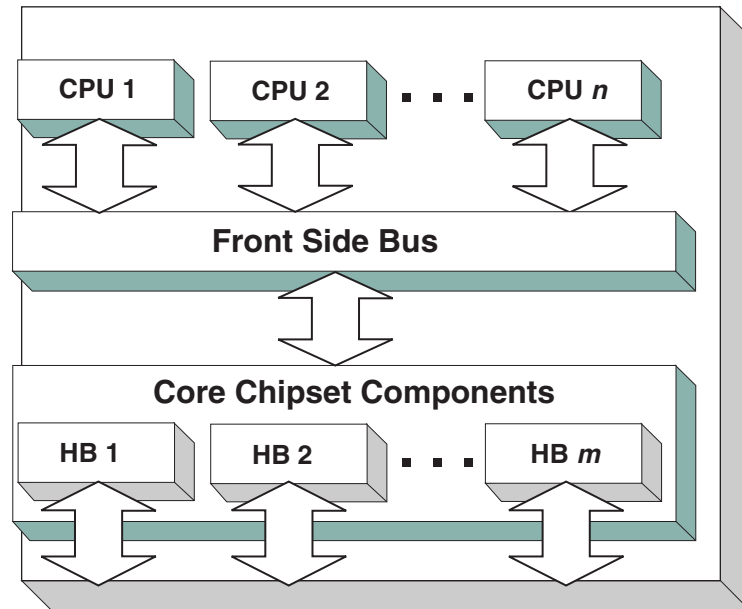


Figure 9. Driver Image Handle

### 2.5.3 Host Bus Controllers

Drivers are not allowed to touch any hardware in the driver's entry point. As a result, drivers will be loaded and started, but they will all be waiting to be told to manage one or more controllers in the system. A platform component, like the Boot Manager, is responsible for managing the connection of drivers to controllers. However, before even the first connection can be made, there has to be some initial collection of controllers for the drivers to manage. This initial collection of controllers is known as the *Host Bus Controllers*. The I/O abstractions that the *Host Bus Controllers* provide are produced by firmware components that are outside the scope of the UEFI *Driver Model*. The device handles for the *Host Bus Controllers* and the I/O abstraction for each one must be produced by the core firmware on the platform, or a driver that may not follow the UEFI *Driver Model*. See the *PCI Root Bridge I/O Protocol Specification* for an example of an I/O abstraction for PCI buses.

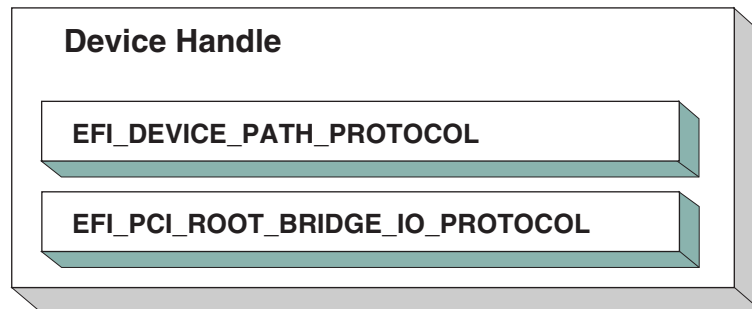
A platform can be viewed as a set of processors and a set of core chipset components that may produce one or more host buses. Figure 10 shows a platform with  $n$  processors (CPUs), and a set of core chipset components that produce  $m$  host bridges.



OM13150

**Figure 10. Host Bus Controllers**

Each host bridge is represented in UEFI as a device handle that contains a Device Path Protocol instance, and a protocol instance that abstracts the I/O operations that the host bus can perform. For example, a PCI Host Bus Controller supports one or more PCI Root Bridges that are abstracted by the PCI Root Bridge I/O Protocol. Figure 11 shows an example device handle for a PCI Root Bridge.



OM15221

**Figure 11. PCI Root Bridge Device Handle**

A PCI Bus Driver could connect to this PCI Root Bridge, and create child handles for each of the PCI devices in the system. PCI Device Drivers should then be connected to these child handles, and produce I/O abstractions that may be used to boot a UEFI compliant OS. The following section describes the different types of drivers that can be implemented within the UEFI *Driver Model*. The UEFI *Driver Model* is very flexible, so all the possible types of drivers will not be discussed here. Instead, the major types will be covered that can be used as a starting point for designing and implementing additional driver types.

## 2.5.4 Device Drivers

A device driver is not allowed to create any new device handles. Instead, it installs additional protocol interfaces on an existing device handle. The most common type of device driver will attach an I/O abstraction to a device handle that was created by a bus driver. This I/O abstraction may be used to boot a UEFI compliant OS. Some example I/O abstractions would include Simple Text Output, Simple Input, Block I/O, and Simple Network Protocol. Figure 12 shows a device handle before and after a device driver is connected to it. In this example, the device handle is a child of the XYZ Bus, so it contains an XYZ I/O Protocol for the I/O services that the XYZ bus supports. It also contains a Device Path Protocol that was placed there by the XYZ Bus Driver. The Device Path Protocol is not required for all device handles. It is only required for device handles that represent physical devices in the system. Handles for virtual devices will not contain a Device Path Protocol.

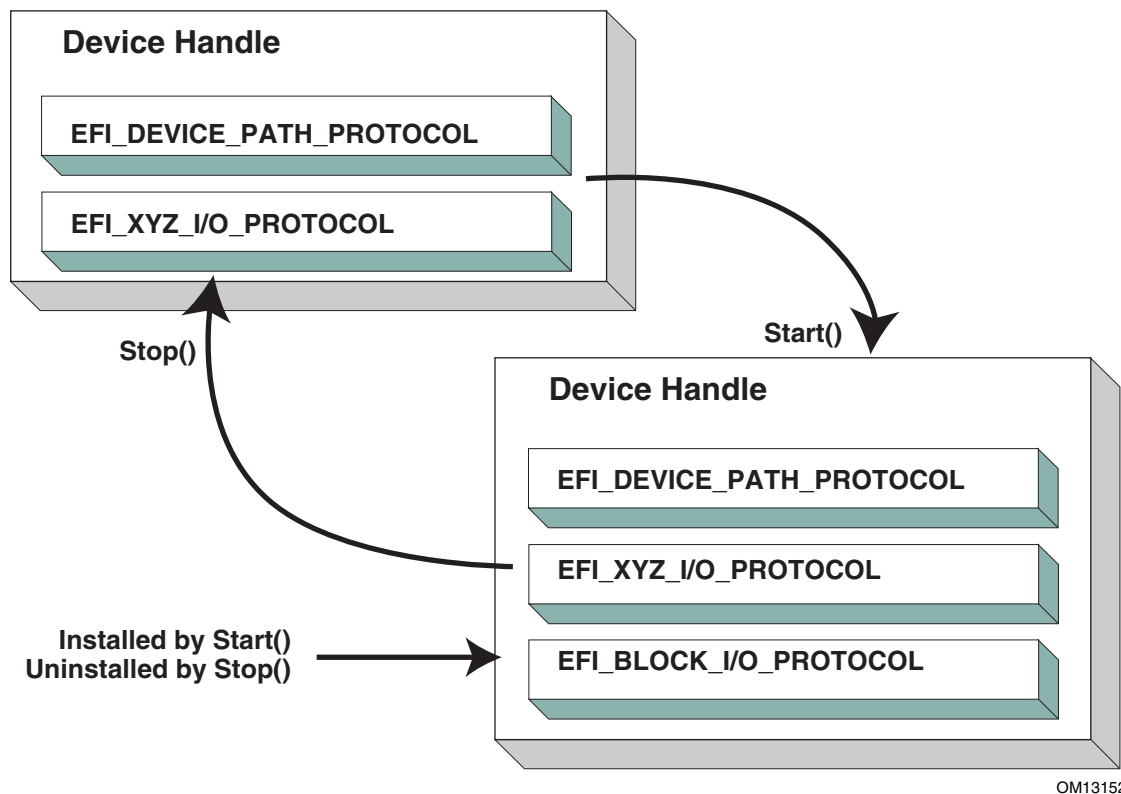


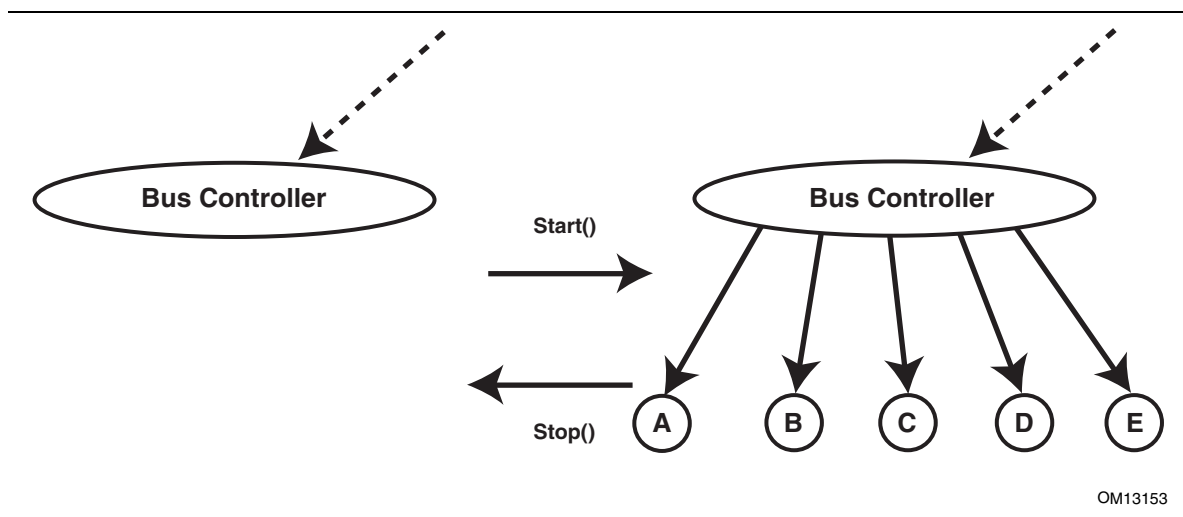
Figure 12. Connecting Device Drivers

The device driver that connects to the device handle in Figure 12 must have installed a Driver Binding Protocol on its own image handle. The Driver Binding Protocol contains three functions called **Supported()**, **Start()**, and **Stop()**. The **Supported()** function tests to see if the driver supports a given controller. In this example, the driver will check to see if the device handle supports the Device Path Protocol and the XYZ I/O Protocol. If a driver's **Supported()** function passes, then the driver can be connected to the controller by calling the driver's **Start()** function. The **Start()** function is what actually adds the additional I/O protocols to a device handle. In this example, the Block I/O Protocol is being installed. To provide symmetry, the Driver Binding Protocol also has a **Stop()** function that forces the driver to stop managing a device handle. This will cause the device driver to uninstall any protocol interfaces that were installed in **Start()**.

The **Supported()**, **Start()**, and **Stop()** functions of the EFI Driver Binding Protocol are required to make use of the boot service **OpenProtocol()** to get a protocol interface and the boot service **CloseProtocol()** to release a protocol interface. **OpenProtocol()** and **CloseProtocol()** update the handle database maintained by the system firmware to track which drivers are consuming protocol interfaces. The information in the handle database can be used to retrieve information about both drivers and controllers. The new boot service **OpenProtocolInformation()** can be used to get the list of components that are currently consuming a specific protocol interface.

## 2.5.5 Bus Drivers

Bus drivers and device drivers are virtually identical from the UEFI *Driver Model*'s point of view. The only difference is that a bus driver creates new device handles for the child controllers that the bus driver discovers on its bus. As a result, bus drivers are slightly more complex than device drivers, but this in turn simplifies the design and implementation of device drivers. There are two major types of bus drivers. The first creates handles for all child controllers on the first call to **Start()**. The other type allows the handles for the child controllers to be created across multiple calls to **Start()**. This second type of bus driver is very useful in supporting a rapid boot capability. It allows a few child handles or even one child handle to be created. On buses that take a long time to enumerate all of their children (e.g. SCSI), this can lead to a very large timesaving in booting a platform. Figure 13 shows the tree structure of a bus controller before and after **Start()** is called. The dashed line coming into the bus controller node represents a link to the bus controller's parent controller. If the bus controller is a *Host Bus Controller*, then it will not have a parent controller. Nodes A, B, C, D, and E represent the child controllers of the bus controller.



**Figure 13. Connecting Bus Drivers**

A bus driver that supports creating one child on each call to **Start()** might choose to create child C first, and then child E, and then the remaining children A, B, and D. The **Supported()**, **Start()**, and **Stop()** functions of the Driver Binding Protocol are flexible enough to allow this type of behavior.

A bus driver must install protocol interfaces onto every child handle that it creates. At a minimum, it must install a protocol interface that provides an I/O abstraction of the bus's services to the child controllers. If the bus driver creates a child handle that represents a physical device, then the bus driver must also install a Device Path Protocol instance onto the child handle. A bus driver may optionally install a Bus Specific Driver Override Protocol onto each child handle. This protocol is used when drivers are connected to the child controllers. The boot service **ConnectController()** uses architecturally defined precedence rules to choose the best set of drivers for a given controller. The Bus Specific Driver Override Protocol has higher precedence than a general driver search algorithm, and lower precedence than platform overrides. An example of a bus specific driver selection occurs with PCI. A PCI Bus Driver gives a driver stored in a PCI controller's option ROM a higher precedence than drivers stored elsewhere in the platform. Figure 14 shows an example child device handle that was created by the XYZ Bus Driver that supports a bus specific driver override mechanism.

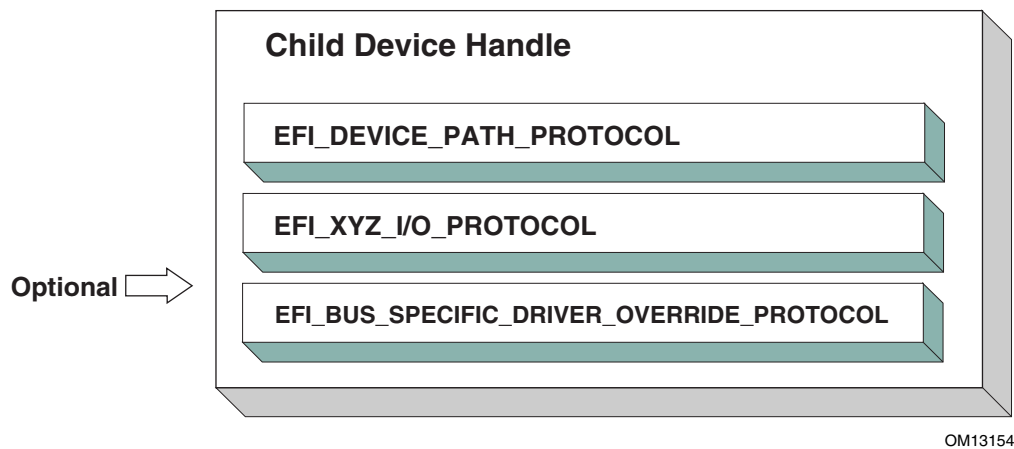


Figure 14. Child Device Handle with a Bus Specific Override

## 2.5.6 Platform Components

Under the *UEFI Driver Model*, the act of connecting and disconnecting drivers from controllers in a platform is under the platform firmware's control. This will typically be implemented as part of the UEFI Boot Manager, but other implementations are possible. The boot services [`ConnectController\(\)`](#) and [`DisconnectController\(\)`](#) can be used by the platform firmware to determine which controllers get started and which ones do not. If the platform wishes to perform system diagnostics or install an operating system, then it may choose to connect drivers to all possible boot devices. If a platform wishes to boot a preinstalled operating system, it may choose to only connect drivers to the devices that are required to boot the selected operating system. The *UEFI Driver Model* supports both these modes of operation through the boot services [`ConnectController\(\)`](#) and [`DisconnectController\(\)`](#). In addition, since the platform component that is in charge of booting the platform has to work with device paths for console devices and boot options, all of the services and protocols involved in the *UEFI Driver Model* are optimized with device paths in mind.

Since the platform firmware may choose to only connect the devices required to produce consoles and gain access to a boot device, the OS present device drivers cannot assume that a UEFI driver for a device has been executed. The presence of a UEFI driver in the system firmware or in an option ROM does not guarantee that the UEFI driver will be loaded, executed, or allowed to manage any devices in a platform. All OS present device drivers must be able to handle devices that have been managed by a UEFI driver and devices that have not been managed by a UEFI driver.

The platform may also choose to produce a protocol named the Platform Driver Override Protocol. This is similar to the Bus Specific Driver Override Protocol, but it has higher priority. This gives the platform firmware the highest priority when deciding which drivers are connected to which controllers. The Platform Driver Override Protocol is attached to a handle in the system. The boot service [`ConnectController\(\)`](#) will make use of this protocol if it is present in the system.

## 2.5.7 Hot-Plug Events

In the past, system firmware has not had to deal with hot-plug events in the preboot environment. However, with the advent of buses like USB, where the end user can add and remove devices at any time, it is important to make sure that it is possible to describe these types of buses in the UEFI *Driver Model*. It is up to the bus driver of a bus that supports the hot adding and removing of devices to provide support for such events. For these types of buses, some of the platform management is going to have to move into the bus drivers. For example, when a keyboard is hot added to a USB bus on a platform, the end user would expect the keyboard to be active. A USB Bus driver could detect the hot-add event and create a child handle for the keyboard device. However, because drivers are not connected to controllers unless **ConnectController()** is called, the keyboard would not become an active input device. Making the keyboard driver active requires the USB Bus driver to call **ConnectController()** when a hot-add event occurs. In addition, the USB Bus Driver would have to call **DisconnectController()** when a hot-remove event occurs.

Device drivers are also affected by these hot-plug events. In the case of USB, a device can be removed without any notice. This means that the **Stop()** functions of USB device drivers will have to deal with shutting down a driver for a device that is no longer present in the system. As a result, any outstanding I/O requests will have to be flushed without actually being able to touch the device hardware.

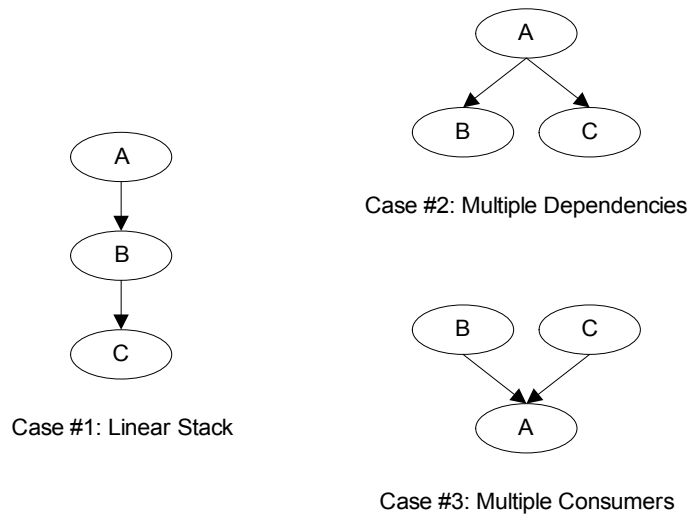
In general, adding support for hot-plug events greatly increases the complexity of both bus drivers and device drivers. Adding this support is up to the driver writer, so the extra complexity and size of the driver will need to be weighed against the need for the feature in the preboot environment.

## 2.5.8 EFI Services Binding

The UEFI *Driver Model* maps well onto hardware devices, hardware bus controllers, and simple combinations of software services that layer on top of hardware devices. However, the UEFI driver Model does not map well onto complex combinations of software services. As a result, an additional set of complementary protocols are required for more complex combinations of software services.

Figure 15 contains three examples showing the different ways that software services relate to each other. In the first two cases, each service consumes one or more other services, and at most one other service consumes all of the services. Case #3 differs because two different services consume service A. The **EFI\_DRIVER\_BINDING\_PROTOCOL** can be used to model cases #1 and #2, but it cannot be used to model case #3 because of the way that the UEFI Boot Service **OpenProtocol()** behaves. When used with the **BY\_DRIVER** open mode, **OpenProtocol()** allows each protocol to have only at most one consumer. This feature is very useful and prevents multiple drivers from attempting to manage the same controller. However, it makes it difficult to produce sets of software services that look like case #3.





**Figure 15. Software Service Relationships**

The **EFI\_SERVICE\_BINDING\_PROTOCOL** provides the mechanism that allows protocols to have more than one consumer. The **EFI\_SERVICE\_BINDING\_PROTOCOL** is used with the **EFI\_DRIVER\_BINDING\_PROTOCOL**. A UEFI driver that produces protocols that need to be available to more than one consumer at the same time will produce both the **EFI\_DRIVER\_BINDING\_PROTOCOL** and the **EFI\_SERVICE\_BINDING\_PROTOCOL**. This type of driver is a hybrid driver that will produce the **EFI\_DRIVER\_BINDING\_PROTOCOL** in its driver entry point.

When the driver receives a request to start managing a controller, it will produce the **EFI\_SERVICE\_BINDING\_PROTOCOL** on the handle of the controller that is being started. The **EFI\_SERVICE\_BINDING\_PROTOCOL** is slightly different from other protocols defined in the *UEFI Specification*. It does not have a GUID associated with it. Instead, this protocol instance structure actually represents a family of protocols. Each software service driver that requires an **EFI\_SERVICE\_BINDING\_PROTOCOL** instance will be required to generate a new GUID for its own type of **EFI\_SERVICE\_BINDING\_PROTOCOL**. This requirement is why the various network protocols in this specification contain two GUIDs. One is the **EFI\_SERVICE\_BINDING\_PROTOCOL** GUID for that network protocol, and the other GUID is for the protocol that contains the specific member services produced by the network driver. The mechanism defined here is not limited to network protocol drivers. It can be applied to any set of protocols that the **EFI\_DRIVER\_BINDING\_PROTOCOL** cannot directly map because the protocols contain one or more relationships like case #3 in Figure 15.

Neither the **EFI\_DRIVER\_BINDING\_PROTOCOL** nor the combination of the **EFI\_DRIVER\_BINDING\_PROTOCOL** and the **EFI\_SERVICE\_BINDING\_PROTOCOL** can handle circular dependencies. There are methods to allow circular references, but they require that the circular link be present for short periods of time. When the protocols across the circular link are used, these methods also require that the protocol must be opened with an open mode of **EXCLUSIVE**, so that any attempts to deconstruct the set of protocols with a call to **DisconnectController()** will fail. As soon as the driver is finished with the protocol across the circular link, the protocol should be closed.

## 2.6 Requirements

This document is an architectural specification. As such, care has been taken to specify architecture in ways that allow maximum flexibility in implementation. However, there are certain requirements on which elements of this specification must be implemented to ensure that operating system loaders and other code designed to run with UEFI boot services can rely upon a consistent environment.

For the purposes of describing these requirements, the specification is broken up into required and optional elements. In general, an optional element is completely defined in the section that matches the element name. For required elements however, the definition may in a few cases not be entirely self contained in the section that is named for the particular element. In implementing required elements, care should be taken to cover all the semantics defined in this specification that relate to the particular element.

### 2.6.1 Required Elements

Table 7 lists the required elements. Any system that is designed to conform to this specification *must* provide a complete implementation of all these elements. This means that all the required service functions and protocols must be present and the implementation must deliver the full semantics defined in the specification for all combinations of calls and parameters. Implementers of applications, drivers or operating system loaders that are designed to run on a broad range of systems conforming to the UEFI specification may assume that all such systems implement all the required elements.

A system vendor may choose not to implement all the required elements, for example on specialized system configurations that do not support all the services and functionality implied by the required elements. However, since most applications, drivers and operating system loaders are written assuming all the required elements are present on a system that implements the UEFI specification; any such code is likely to require explicit customization to run on a less than complete implementation of the required elements in this specification.

**Table 7. Required UEFI Implementation Elements**

Element	Description
<a href="#">EFI System Table</a>	Provides access to UEFI Boot Services, UEFI Runtime Services, consoles, firmware vendor information, and the system configuration tables.
<a href="#">EFI Boot Services</a>	All functions defined as boot services.
<a href="#">EFI Runtime Services</a>	All functions defined as runtime services.
<a href="#">LOADED_IMAGE protocol</a>	Provides information on the image.
<a href="#">DEVICE_PATH protocol</a>	Provides the location of the device.
<a href="#">DECOMPRESS protocol</a>	Protocol interfaces to decompress an image that was compressed using the EFI Compression Algorithm.
<a href="#">EFI_DEVICE_PATH UTILITIES protocol</a>	Protocol interfaces to create and manipulate UEFI device paths and UEFI device path nodes.
EBC Interpreter	An EFI Byte Code Interpreter is required so UEFI images compiled to EFI Byte Code executables are guaranteed to function on all UEFI compliant platforms. The EBC Interpreter must also produce the EBC protocol.

## 2.6.2 Platform-Specific Elements

There are a number of elements that can be added or removed depending on the specific features that a platform requires. Platform firmware developers are required to implement UEFI elements based upon the features included. The following is a list of potential platform features and the elements that are required for each feature type:

- If a platform includes console devices, the [Simple Input Protocol](#) and [Simple Text Output Protocol](#) must be implemented.
- If a platform includes graphical console devices, then the Graphics Output Protocol, EDID Discovered Protocol and EDID Active protocol must be implemented. In order to support the EFI Graphical Output Protocol a platform must contain a driver to consume Graphics Output Protocol and produce Simple Text Output Protocol even if the Graphics Output Protocol is produced by an external driver.
- If a platform includes a pointer device as part of its console support, the [Simple Pointer Protocol](#) must be implemented.
- If a platform includes the ability to boot from a disk device, then the [Block I/O Protocol](#), the [Disk I/O Protocol](#), the [Simple File System Protocol](#), and the [Unicode Collation Protocol](#) are required. In addition, partition support for MBR, GPT, and El Torito must be implemented. An external driver may produce the Block I/O Protocol. All other protocols required to boot from a disk device must be carried as part of the platform.
- If a platform includes the ability to boot from a network device, then the UNDI interface, the [Simple Network Protocol](#), and the [PXE Base Code Protocol](#) are required. If a platform includes the ability to validate a boot image received through a network device, the [Boot Integrity Services Protocol](#) is also required. An external driver may produce the UNDI interface. All other protocols required to boot from a network device must be carried by the platform.

- If a platform supports UEFI general purpose network applications, then the [Managed Network Protocol](#), [Managed Network Service Binding Protocol](#), [ARP Protocol](#), [ARP Service Binding Protocol](#), [DHCPv4 Protocol](#), [DHCPv4 Service Binding Protocol](#), [TCPv4 Protocol](#), [TCPv4 Service Binding Protocol](#), [IPv4 Protocol](#), [IPv4 Service Binding Protocol](#), [IPv4 Configuration Protocol](#), [UDPv4 Protocol](#), [UDPv4 Service Binding Protocol](#), [MTFTPv4 Protocol](#), and [MTFTPv4 Service Binding Protocol](#) are required.
- If a platform includes a byte-stream device such as a UART, then the [Serial I/O Protocol](#) must be implemented.
- If a platform includes PCI bus support, then the [PCI Root Bridge I/O Protocol](#), the [PCI I/O Protocol](#), must be implemented.
- If a platform includes USB bus support, then the [USB2 Host Controller Protocol](#) and the [USB I/O Protocol](#) must be implemented. An external device can support USB by producing a USB Host Controller Protocol.
  3. If a platform includes an I/O subsystem that utilizes SCSI command packets, then the [Extended SCSI Pass Thru Protocol](#) must be implemented.
  4. If a platform supports booting from a block oriented SCSI peripheral, then the [SCSI I/O Protocol](#) and [Block I/O Protocol](#) must be implemented. An external driver may produce the [Extended SCSI Pass Thru Protocol](#). All other protocols required to boot from a SCSI I/O subsystem must be carried by the platform.
  5. If a platform supports booting from an iSCSI peripheral, then the [iSCSI Initiator Name Protocol](#) and the [EFI AUTHENTICATION INFO PROTOCOL](#) must be implemented.
- If a platform includes debugging capabilities, then the [Debug Support Protocol](#), the [Debug Port Protocol](#), and the [Debug Image Info Table](#) must be implemented.
- If a platform includes the ability to override the default driver to the controller matching algorithm provided by the UEFI Driver Model, then the [Platform Driver Override Protocol](#) must be implemented.

### 2.6.3 Driver-Specific Elements

There are a number of UEFI elements that can be added or removed depending on the features that a specific driver requires. Drivers can be implemented by platform firmware developers to support buses and devices in a specific platform. Drivers can also be implemented by add-in card vendors for devices that might be integrated into the platform hardware or added to a platform through an expansion slot. The following list includes possible driver features, and the UEFI elements that are required for each feature type:

1. If a driver follows the driver model of this specification, the [EFI Driver Binding Protocol](#) must be implemented. It is strongly recommended that all drivers that follow the driver model of this specification also implement the [Component Name Protocol](#).
2. If a driver requires configuration information, the Driver Configuration Protocol must be implemented. A driver is not allowed to interact with the user unless the [Driver Configuration Protocol](#) is invoked.
3. If a driver requires diagnostics, the [Driver Diagnostics Protocol](#) must be implemented. In order to support low boot times, limit diagnostics during normal boots. Time consuming diagnostics should be deferred until the [Driver Diagnostics Protocol](#) is invoked.

4. If a bus supports devices that are able to provide containers for drivers (e.g. option ROMs), then the bus driver for that bus type must implement the [Bus Specific Driver Override Protocol](#).
5. If a driver is written for a console output device, then the [Simple Text Output Protocol](#) must be implemented.
6. If a driver is written for a graphical console output device, then the Graphics Output Protocol, EDID Discovered Protocol and EDID Active Protocol must be implemented.
7. If a driver is written for a console input device, then the [Simple Input Protocol](#) must be implemented.
8. If a driver is written for a pointer device, then the [Simple Pointer Protocol](#) must be implemented.
9. If a driver is written for a network device, then the [UNDI interface](#) must be implemented.
10. If a driver is written for a disk device, then the [Block I/O Protocol](#) must be implemented.
11. If a driver is written for a device that is not a block oriented device but one that can provide a file system-like interface, then the [EFI SIMPLE FILE SYSTEM PROTOCOL](#) must be implemented.
12. If a driver is written for a PCI root bridge, then the [PCI Root Bridge I/O Protocol](#) and the [PCI I/O Protocol](#) must be implemented.
13. If a driver is written for a USB host controller, then the [USB2 Host Controller Protocol](#) must be implemented.
14. If a driver is written for a SCSI controller, then the [Extended SCSI Pass Thru Protocol](#) must be implemented.
15. If a driver is digitally signed, it must embed the digital signature in the PE/COFF image as described in Section 25.2.2.
16. If a driver is written for a boot device that is not a block-oriented device, a file system-based device, or a console device, then the [Load File Protocol](#) must be implemented.



The UEFI boot manager is a firmware policy engine that can be configured by modifying architecturally defined global NVRAM variables. The boot manager will attempt to load UEFI drivers and UEFI applications (including UEFI OS boot loaders) in an order defined by the global NVRAM variables. The platform firmware must use the boot order specified in the global NVRAM variables for normal boot. The platform firmware may add extra boot options or remove invalid boot options from the boot order list.

The platform firmware may also implement value added features in the boot manager if an exceptional condition is discovered in the firmware boot process. One example of a value added feature would be not loading a UEFI driver if booting failed the first time the driver was loaded. Another example would be booting to an OEM-defined diagnostic environment if a critical error was discovered in the boot process.

The boot sequence for UEFI consists of the following:

- The boot order list is read from a globally defined NVRAM variable. The boot order list defines a list of NVRAM variables that contain information about what is to be booted. Each NVRAM variable defines a Unicode name for the boot option that can be displayed to a user.
- The variable also contains a pointer to the hardware device and to a file on that hardware device that contains the UEFI image to be loaded.
- The variable might also contain paths to the OS partition and directory along with other configuration specific directories.

The NVRAM can also contain load options that are passed directly to the UEFI image. The platform firmware has no knowledge of what is contained in the load options. The load options are set by higher level software when it writes to a global NVRAM variable to set the platform firmware boot policy. This information could be used to define the location of the OS kernel if it was different than the location of the UEFI OS loader.

## 3.1 Firmware Boot Manager

The boot manager is a component in firmware conforming to this specification that determines which drivers and applications should be explicitly loaded and when. Once compliant firmware is initialized, it passes control to the boot manager. The boot manager is then responsible for determining what to load and any interactions with the user that may be required to make such a decision. Much of the behavior of the boot manager is left up to the firmware developer to decide, and details of boot manager implementation are outside the scope of this specification. In particular, likely implementation options might include any console interface concerning boot, integrated platform management of boot selections, possible knowledge of other internal applications or recovery drivers that may be integrated into the system through the boot manager.

Programmatic interaction with the boot manager is accomplished through globally defined variables. On initialization the boot manager reads the values which comprise all of the published load options among the UEFI environment variables. By using the [SetVariable\(\)](#) function the data that contain these environment variables can be modified.

Each load option entry resides in a *Boot####* variable or a *Driver####* variable where the *####* is replaced by a unique option number in printable hexadecimal representation using the digits 0–9, and the upper case versions of the characters A–F (0000–FFFF). The *####* must always be four digits, so small numbers must use leading zeros. The load options are then logically ordered by an array of option numbers listed in the desired order. There are two such option ordering lists. The first is *DriverOrder* that orders the *Driver####* load option variables into their load order. The second is *BootOrder* that orders the *Boot####* load options variables into their load order.

For example, to add a new boot option, a new *Boot####* variable would be added. Then the option number of the new *Boot####* variable would be added to the *BootOrder* ordered list and the *BootOrder* variable would be rewritten. To change boot option on an existing *Boot####*, only the *Boot####* variable would need to be rewritten. A similar operation would be done to add, remove, or modify the driver load list.

If the boot via *Boot####* returns with a status of **EFI\_SUCCESS** the boot manager will stop processing the *BootOrder* variable and present a boot manager menu to the user. If a boot via *Boot####* returns a status other than **EFI\_SUCCESS**, the boot has failed and the next *Boot####* in the *BootOrder* variable will be tried until all possibilities are exhausted.

The boot manager may perform automatic maintenance of the database variables. For example, it may remove unreferenced load option variables or any load option variables that cannot be parsed or loaded, and it may rewrite any ordered list to remove any load options that do not have corresponding load option variables. In addition, the boot manager may automatically update any ordered list to place any of its own load options where it desires. The boot manager can also, at its own discretion, provide for manual maintenance operations as well. Examples include choosing the order of any or all load options, activating or deactivating load options, etc.

The boot manager is required to process the Driver load option entries before the Boot load option entries. The boot manager is also required to initiate a boot of the boot option specified by the *BootNext* variable as the first boot option on the next boot, and only on the next boot. The boot manager removes the *BootNext* variable before transferring control to the *BootNext* boot option. After the *BootNext* boot option is tried, the normal *BootOrder* list is used. To prevent loops, the boot manager deletes this variable before transferring control to the preselected boot option.

The boot manager must call [LoadImage\(\)](#) which supports at least **EFI\_SIMPLE\_FILE\_SYSTEM\_PROTOCOL** and **EFI\_LOAD\_FILE\_PROTOCOL** for resolving load options. If [LoadImage\(\)](#) succeeds, the boot manager must enable the watchdog timer for 5 minutes by using the [SetWatchdogTimer\(\)](#) boot service prior to calling [StartImage\(\)](#). If a boot option returns control to the boot manager, the boot manager must disable the watchdog timer with an additional call to the [SetWatchdogTimer\(\)](#) boot service.



If the boot image is not loaded via `LoadImage()` the boot manager is required to check for a default application to boot. Searching for a default application to boot happens on both removable and fixed media types. This search occurs when the device path of the boot image listed in any boot option points directly to an **EFI\_SIMPLE\_FILE\_SYSTEM\_PROTOCOL** device and does not specify the exact file to load. The file discovery method is explained in “Boot Option Variables Default Behavior”. The default media boot case of a protocol other than **EFI\_SIMPLE\_FILE\_SYSTEM\_PROTOCOL** is handled by the **EFI\_LOAD\_FILE\_PROTOCOL** for the target device path and does not need to be handled by the boot manager.

The boot manager must also support booting from a short-form device path that starts with the first element being a hard drive media device path (see Table 61, “Hard Drive Media Device Path”). The boot manager must use the GUID or signature and partition number in the hard drive device path to match it to a device in the system. If the drive supports the GPT partitioning scheme the GUID in the hard drive media device path is compared with the *UniquePartitionGuid* field of the GUID Partition Entry (see Table 14). If the drive supports the PC-AT MBR scheme the signature in the hard drive media device path is compared with the *UniqueMBRSignature* in the Legacy Master Boot Record (see Table 10). If a signature match is made, then the partition number must also be matched. The hard drive device path can be appended to the matching hardware device path and normal boot behavior can then be used. If more than one device matches the hard drive device path, the boot manager will pick one arbitrarily. Thus the operating system must ensure the uniqueness of the signatures on hard drives to guarantee deterministic boot behavior.

Each load option variable contains an **EFI\_LOAD\_OPTION** descriptor that is a byte packed buffer of variable length fields. Since some of the fields are variable length, an **EFI\_LOAD\_OPTION** cannot be described as a standard C data structure. Instead, the fields are listed below in the order that they appear in an **EFI\_LOAD\_OPTION** descriptor:

## Descriptor

<b>UINT32</b>	<i>Attributes;</i>
<b>UINT16</b>	<i>FilePathListLength;</i>
<b>CHAR16</b>	<i>Description[];</i>
<b>EFI_DEVICE_PATH_PROTOCOL</b>	<i>FilePathList[];</i>
<b>UINT8</b>	<i>OptionalData[];</i>

## Parameters

<i>Attributes</i>	The attributes for this load option entry. All unused bits must be zero and are reserved by the UEFI specification for future growth. See “Related Definitions.”
<i>FilePathListLength</i>	Length in bytes of the <i>FilePathList</i> . <i>OptionalData</i> starts at offset <b>sizeof(UINT32) + sizeof(UINT16) + StrSize(Description) + FilePathListLength</b> of the <b>EFI_LOAD_OPTION</b> descriptor.
<i>Description</i>	The user readable description for the load option. This field ends with a Null Unicode character.

### *FilePathList*

A packed array of UEFI device paths. The first element of the array is a device path that describes the device and location of the Image for this load option. The *FilePathList[0]* is specific to the device type. Other device paths may optionally exist in the *FilePathList*, but their usage is OSV specific. Each element in the array is variable length, and ends at the device path end structure. Because the size of *Description* is arbitrary, this data structure is not guaranteed to be aligned on a natural boundary. This data structure may have to be copied to an aligned natural boundary before it is used.

### *OptionalData*

The remaining bytes in the load option descriptor are a binary data buffer that is passed to the loaded image. If the field is zero bytes long, a **NULL** pointer is passed to the loaded image. The number of bytes in *OptionalData* can be computed by subtracting the starting offset of *OptionalData* from total size in bytes of the **EFI\_LOAD\_OPTION**.

## Related Definitions

```
//*****  
// Attributes  
//*****  
#define LOAD_OPTION_ACTIVE          0x00000001  
#define LOAD_OPTION_FORCE_RECONNECT 0x00000002
```

## Description

Calling **SetVariable()** creates a load option. The size of the load option is the same as the size of the *DataSize* argument to the **SetVariable()** call that created the variable. When creating a new load option, all undefined attribute bits must be written as zero. When updating a load option, all undefined attribute bits must be preserved. If a load option is not marked as **LOAD\_OPTION\_ACTIVE**, the boot manager will not automatically load the option. This provides an easy way to disable or enable load options without needing to delete and re-add them. If any *Driver###* load option is marked as **LOAD\_OPTION\_FORCE\_RECONNECT**, then all of the UEFI drivers in the system will be disconnected and reconnected after the last *Driver###* load option is processed. This allows a UEFI driver loaded with a *Driver###* load option to override a UEFI driver that was loaded prior to the execution of the UEFI Boot Manager.

## 3.2 Globally Defined Variables

This section defines a set of variables that have architecturally defined meanings. In addition to the defined data content, each such variable has an architecturally defined attribute that indicates when the data variable may be accessed. The variables with an attribute of NV are nonvolatile. This means that their values are persistent across resets and power cycles. The value of any environment variable that does not have this attribute will be lost when power is removed from the system and the state of firmware reserved memory is not otherwise preserved. The variables with an attribute of BS are only available before `ExitBootServices()` is called. This means that these environment variables can only be retrieved or modified in the preboot environment. They are not visible to an operating system. Environment variables with an attribute of RT are available before and after `ExitBootServices()` is called. Environment variables of this type can be retrieved and modified in the preboot environment, and from an operating system. All architecturally defined variables use the `EFI_GLOBAL_VARIABLE` *VendorGuid*:

```
#define EFI_GLOBAL_VARIABLE \
    {8BE4DF61-93CA-11d2-AA0D-00E098032B8C}
```

To prevent name collisions with possible future globally defined variables, other internal firmware data variables that are not defined here must be saved with a unique *VendorGuid* other than `EFI_GLOBAL_VARIABLE`. Table 8 lists the global variables.

**Table 8. Global Variables**

Variable Name	Attribute	Description
LangCodes	BS, RT	The language codes that the firmware supports. This value is deprecated.
Lang	NV, BS, RT	The language code that the system is configured for. This value is deprecated.
Timeout	NV, BS, RT	The firmware's boot managers timeout, in seconds, before initiating the default boot selection.
PlatformLangCodes	BS, RT	The language codes that the firmware supports.
PlatformLang	NV, BS, RT	The language code that the system is configured for.
ConIn	NV, BS, RT	The device path of the default input console.
ConOut	NV, BS, RT	The device path of the default output console.
ErrOut	NV, BS, RT	The device path of the default error output device.
ConInDev	BS, RT	The device path of all possible console input devices.
ConOutDev	BS, RT	The device path of all possible console output devices.
ErrOutDev	BS, RT	The device path of all possible error output devices.
Boot####	NV, BS, RT	A boot load option. #### is a printed hex value. No 0x or h is included in the hex value.
BootOrder	NV, BS, RT	The ordered boot option load list.

Variable Name	Attribute	Description
BootNext	NV, BS, RT	The boot option for the next boot only.
BootCurrent	BS, RT	The boot option that was selected for the current boot.
Driver####	NV, BS, RT	A driver load option. #### is a printed hex value.
DriverOrder	NV, BS, RT	The ordered driver load option list.

The *PlatformLangCodes* variable contains a null-terminated string (8-bit ASCII character) representing the language codes that the firmware can support. At initialization time the firmware computes the supported languages and creates this data variable. Since the firmware creates this value on each initialization, its contents are not stored in nonvolatile memory. This value is considered read-only. *PlatformLangCodes* is specified in Native RFC 3066 format. See Appendix M for the format of language codes and language code arrays. *LangCodes* is deprecated and may be provided for backwards compatibility.

The *PlatformLang* variable contains a null-terminated string (8-bit ASCII character) language code that the machine has been configured for. This value may be changed to any value supported by *PlatformLangCodes*. If this change is made in the preboot environment, then the change will take effect immediately. If this change is made at OS runtime, then the change does not take effect until the next boot. If the language code is set to an unsupported value, the firmware will choose a supported default at initialization and set *PlatformLang* to a supported value. *PlatformLang* is specified in Native RFC 3066 array format. See Appendix M for the format of language codes. *Lang* is deprecated and may be provided for backwards compatibility.

*Lang* has been deprecated. If the platform supports this variable, it must map any changes in the *Lang* variable into *PlatformLang* in the appropriate format.

*Langcodes* has been deprecated. If the platform supports this variable, it must map any changes in the *Langcodes* variable into *PlatformLang* in the appropriate format.

The *Timeout* variable contains a binary **UINT16** that supplies the number of seconds that the firmware will wait before initiating the original default boot selection. A value of 0 indicates that the default boot selection is to be initiated immediately on boot. If the value is not present, or contains the value of 0xFFFF then firmware will wait for user input before booting. This means the default boot selection is not automatically started by the firmware.

The *ConIn*, *ConOut*, and *ErrOut* variables each contain an **EFI\_DEVICE\_PATH\_PROTOCOL** descriptor that defines the default device to use on boot. Changes to these values made in the preboot environment take effect immediately. Changes to these values at OS runtime do not take effect until the next boot. If the firmware cannot resolve the device path, it is allowed to automatically replace the value(s) as needed to provide a console for the system.

The *ConInDev*, *ConOutDev*, and *ErrOutDev* variables each contain an **EFI\_DEVICE\_PATH\_PROTOCOL** descriptor that defines all the possible default devices to use on boot. These variables are volatile, and are set dynamically on every boot. *ConIn*, *ConOut*, and *ErrOut* are always proper subsets of *ConInDev*, *ConOutDev*, and *ErrOutDev*.

Each *Boot####* variable contains an **EFI\_LOAD\_OPTION**. Each *Boot####* variable is the name "Boot" appended with a unique four digit hexadecimal number. For example, Boot0001, Boot0002, Boot0A02, etc.

The *BootOrder* variable contains an array of **UINT16**'s that make up an ordered list of the *Boot####* options. The first element in the array is the value for the first logical boot option, the second element is the value for the second logical boot option, etc. The *BootOrder* order list is used by the firmware's boot manager as the default boot order.

The *BootNext* variable is a single **UINT16** that defines the *Boot####* option that is to be tried first on the next boot. After the *BootNext* boot option is tried the normal *BootOrder* list is used. To prevent loops, the boot manager deletes this variable before transferring control to the preselected boot option.

The *BootCurrent* variable is a single **UINT16** that defines the *Boot####* option that was selected on the current boot.

Each *Driver####* variable contains an **EFI\_LOAD\_OPTION**. Each load option variable is appended with a unique number, for example *Driver0001*, *Driver0002*, etc.

The *DriverOrder* variable contains an array of **UINT16**'s that make up an ordered list of the *Driver####* variable. The first element in the array is the value for the first logical driver load option, the second element is the value for the second logical driver load option, etc. The *DriverOrder* list is used by the firmware's boot manager as the default load order for UEFI drivers that it should explicitly load.

### 3.3 Boot Option Variables Default Behavior

The default state of globally-defined variables is firmware vendor specific. However the boot options require a standard default behavior in the exceptional case that valid boot options are not present on a platform. The default behavior must be invoked any time the *BootOrder* variable does not exist or only points to nonexistent boot options.

If no valid boot options exist, the boot manager will enumerate all removable media devices followed by all fixed media devices. The order within each group is undefined. These new default boot options are not saved to non volatile storage. The boot manger will then attempt to boot from each boot option. If the device supports the **EFI SIMPLE FILE SYSTEM PROTOCOL** then the removable media boot behavior (see Section 3.4.1.1) is executed. Otherwise the firmware will attempt to boot the device via the **EFI\_LOAD\_FILE\_PROTOCOL**.

It is expected that this default boot will load an operating system or a maintenance utility. If this is an operating system setup program it is then responsible for setting the requisite environment variables for subsequent boots. The platform firmware may also decide to recover or set to a known set of boot options.

## 3.4 Boot Mechanisms

EFI can boot from a device using the **EFI\_SIMPLE\_FILE\_SYSTEM\_PROTOCOL** or the **EFI\_LOAD\_FILE\_PROTOCOL**. A device that supports the **EFI\_SIMPLE\_FILE\_SYSTEM\_PROTOCOL** must materialize a file system protocol for that device to be bootable. If a device does not wish to support a complete file system it may produce an **EFI\_LOAD\_FILE\_PROTOCOL** which allows it to materialize an image directly. The Boot Manager will attempt to boot using the **EFI\_SIMPLE\_FILE\_SYSTEM\_PROTOCOL** first. If that fails, then the **EFI\_LOAD\_FILE\_PROTOCOL** will be used.

### 3.4.1 Boot via the Simple File Protocol

When booting via the **EFI\_SIMPLE\_FILE\_SYSTEM\_PROTOCOL**, the *FilePath* will start with a device path that points to the device that “speaks” the **EFI\_SIMPLE\_FILE\_SYSTEM\_PROTOCOL**. The next part of the *FilePath* will point to the file name, including sub directories that contain the bootable image. If the file name is a null device path, the file name must be discovered on the media using the rules defined for removable media devices with ambiguous file names (see Section 3.4.1.1 below).

The format of the file system specified is contained in Chapter 12.2. While the firmware must produce an **EFI\_SIMPLE\_FILE\_SYSTEM\_PROTOCOL** that understands the UEFI file system, any file system can be abstracted with the **EFI\_SIMPLE\_FILE\_SYSTEM\_PROTOCOL** interface.

### 3.4.1.1 Removable Media Boot Behavior

On a removable media device it is not possible for the *FilePath* to contain a file name, including sub directories. *FilePathList[0]* is stored in non volatile memory in the platform and cannot possibly be kept in sync with a media that can change at any time. A *FilePathList[0]* for a removable media device will point to a device that supports the **EFI\_SIMPLE\_FILE\_SYSTEM\_PROTOCOL** or **EFI\_BLOCK\_IO\_PROTOCOL**. The *FilePathList[0]* will not contain a file name or sub directories.

If *FilePathList[0]* points to a device that supports the **EFI\_SIMPLE\_FILE\_SYSTEM\_PROTOCOL**, then the system firmware will attempt to boot from a removable media *FilePathList[0]* by adding a default file name in the form `\EFI\BOOT\BOOT{machine type short-name}.EFI`. Where machine type short-name defines a PE32+ image format architecture. Each file only contains one UEFI image type, and a system may support booting from one or more images types. Table 9 lists the UEFI image types.

**Table 9. UEFI Image Types**

	File Name Convention	PE Executable Machine Type *
32-bit	BOOTIA32.EFI	0x14c
x64	BOOTx64.EFI	0x8664
Itanium architecture	BOOTIA64.EFI	0x200

Note: \* The PE Executable machine type is contained in the machine field of the COFF file header as defined in the Microsoft Portable Executable and Common Object File Format Specification, Revision 6.0

A media may support multiple architectures by simply having a `\EFI\BOOT\BOOT{machine type short-name}.EFI` file of each possible machine type.

If *FilePathList[0]* device does not support the **EFI\_SIMPLE\_FILE\_SYSTEM\_PROTOCOL**, but support the **EFI\_BLOCK\_IO\_PROTOCOL** protocol, then the EFI Boot Service *ConnectController* must be called for *FilePathList[0]* with *DriverImageHandle* and *RemainingDevicePath* set to **NULL** and the *Recursive* flag is set to **TRUE**. The firmware will then attempt to boot from any child handles produced using the algorithms outlined above.

### 3.4.2 Boot via LOAD\_FILE PROTOCOL

When booting via the **EFI\_LOAD\_FILE\_PROTOCOL** protocol, the *FilePath* is a device path that points to a device that “speaks” the **EFI\_LOAD\_FILE\_PROTOCOL**. The image is loaded directly from the device that supports the **EFI\_LOAD\_FILE\_PROTOCOL**. The remainder of the *FilePath* will contain information that is specific to the device. Firmware passes this device-specific data to the loaded image, but does not use it to load the image. If the remainder of the *FilePath* is a null device path it is the loaded image's responsibility to implement a policy to find the correct boot device.

The **EFI\_LOAD\_FILE\_PROTOCOL** is used for devices that do not directly support file systems. Network devices commonly boot in this model where the image is materialized without the need of a file system.

### 3.4.2.1 Network Booting

Network booting is described by the *Preboot eXecution Environment (PXE) BIOS Support Specification* that is part of the *Wired for Management Baseline specification*. PXE specifies UDP, DHCP, and TFTP network protocols that a booting platform can use to interact with an intelligent system load server. UEFI defines special interfaces that are used to implement PXE. These interfaces are contained in the **EFI\_PXE\_BASE\_CODE\_PROTOCOL** (Section 20.3).

### 3.4.2.2 Future Boot Media

Since UEFI defines an abstraction between the platform and the OS and its loader it should be possible to add new types of boot media as technology evolves. The OS loader will not necessarily have to change to support new types of boot. The implementation of the UEFI platform services may change, but the interface will remain constant. The OS will require a driver to support the new type of boot media so that it can make the transition from UEFI boot services to OS control of the boot media.



This chapter describes the entry point to a UEFI image and the parameters that are passed to that entry point. There are three types of UEFI images that can be loaded and executed by firmware conforming to this specification. These are UEFI Applications, OS Loaders, and drivers. There are no differences in the entry point for these three image types.

## 4.1 UEFI Image Entry Point

The most significant parameter that is passed to an image is a pointer to the System Table. This pointer is `EFI_IMAGE_ENTRY_POINT` (see definition immediately below), the main entry point for a UEFI Image. The System Table contains pointers to the active console devices, a pointer to the Boot Services Table, a pointer to the Runtime Services Table, and a pointer to the list of system configuration tables such as ACPI, SMBIOS, and the SAL System Table. This chapter describes the System Table in detail.

### EFI\_IMAGE\_ENTRY\_POINT

#### Summary

This is the main entry point for a UEFI Image. This entry point is the same for UEFI Applications, UEFI OS Loaders, and UEFI Drivers including both device drivers and bus drivers.

#### Prototype

```
typedef
EFI_STATUS
(EFIAPI *EFI_IMAGE_ENTRY_POINT) (
    IN EFI_HANDLE          ImageHandle,
    IN EFI_SYSTEM_TABLE   *SystemTable
);
```

#### Parameters

<i>ImageHandle</i>	The firmware allocated handle for the UEFI image.
<i>SystemTable</i>	A pointer to the EFI System Table.

#### Description

This function is the entry point to an EFI image. An EFI image is loaded and relocated in system memory by the EFI Boot Service [LoadImage \(\)](#). An EFI image is invoked through the EFI Boot Service [StartImage \(\)](#).

The first argument is the image's image handle. The second argument is a pointer to the image's system table. The system table contains the standard output and input handles, plus pointers to the

**EFI BOOT SERVICES** and **EFI RUNTIME SERVICES** tables. The service tables contain the entry points in the firmware for accessing the core EFI system functionality. The handles in the system table are used to obtain basic access to the console. In addition, the System Table contains pointers to other standard tables that a loaded image may use if the associated pointers are initialized to nonzero values. Examples of such tables are ACPI, SMBIOS, SAL System Table, etc.

The *ImageHandle* is a firmware-allocated handle that is used to identify the image on various functions. The handle also supports one or more protocols that the image can use. All images support the **EFI\_LOADED\_IMAGE\_PROTOCOL** that returns the source location of the image, the memory location of the image, the load options for the image, etc. The exact **EFI\_LOADED\_IMAGE\_PROTOCOL** structure is defined in Chapter 8.

If the image is an application written to this specification, then the application executes and either returns or calls the EFI Boot Services **Exit()**. An applications written to this specification is always unloaded from memory when it exits, and its return status is returned to the component that started the application.

If the EFI image is an EFI OS Loader, then the EFI OS Loader executes and either returns, calls the EFI Boot Service **Exit()**, or calls the EFI Boot Service **ExitBootServices()**. If the EFI OS Loader returns or calls **Exit()**, then the load of the OS has failed, and the EFI OS Loader is unloaded from memory and control is returned to the component that attempted to boot the EFI OS Loader. If **ExitBootServices()** is called, then the OS Loader has taken control of the platform, and EFI will not regain control of the system until the platform is reset. One method of resetting the platform is through the EFI Runtime Service **ResetSystem()**.

If the image is a UEFI Driver, then the driver executes and either returns or calls the Boot Service **Exit()**. If a driver returns an error, then the driver is unloaded from memory. If the driver returns **EFI\_SUCCESS**, then it stays resident in memory. If the driver does not follow the UEFI Driver Model, then it performs any required initialization and installs its protocol services before returning. If the driver does follow the UEFI Driver Model, then the entry point is not allowed to touch any device hardware. Instead, the entry point is required to create and install the **EFI DRIVER BINDING PROTOCOL** (Chapter 10.1) on the *ImageHandle* of the UEFI driver. If this process is completed, then **EFI\_SUCCESS** is returned. If the resources are not available to complete the driver initialization, then **EFI\_OUT\_OF\_RESOURCES** is returned.

## Status Codes Returned

EFI_SUCCESS	The driver was initialized.
EFI_OUT_OF_RESOURCES	The request could not be completed due to a lack of resources.

## 4.2 EFI Table Header

The data type **EFI\_TABLE\_HEADER** is the data structure that precedes all of the standard EFI table types. It includes a signature that is unique for each table type, a revision of the table that may be updated as extensions are added to the EFI table types, and a 32-bit CRC so a consumer of an EFI table type can validate the contents of the EFI table.

### EFI\_TABLE\_HEADER

#### Summary

Data structure that precedes all of the standard EFI table types.

#### Related Definitions

```
typedef struct {
    UINT64    Signature;
    UINT32    Revision;
    UINT32    HeaderSize;
    UINT32    CRC32;
    UINT32    Reserved;
} EFI_TABLE_HEADER;
```

#### Parameters

<i>Signature</i>	A 64-bit signature that identifies the type of table that follows. Unique signatures have been generated for the EFI System Table, the EFI Boot Services Table, and the EFI Runtime Services Table.
<i>Revision</i>	The revision of the EFI Specification to which this table conforms. The upper 16 bits of this field contain the major revision value, and the lower 16 bits contain the minor revision value. The minor revision values are limited to the range of 00..99.
<i>HeaderSize</i>	The size, in bytes, of the entire table including the <b>EFI_TABLE_HEADER</b> .
<i>CRC32</i>	The 32-bit CRC for the entire table. This value is computed by setting this field to 0, and computing the 32-bit CRC for <i>HeaderSize</i> bytes.
<i>Reserved</i>	Reserved field that must be set to 0.

## NOTE

---

*The capabilities found in the EFI system table, runtime table and boot services table may change over time. The first field in each of these tables is an `EFI_TABLE_HEADER`. This header's Revision field is incremented when new capabilities and functions are added to the functions in the table. When checking for capabilities, code should verify that Revision is greater than or equal to the revision level of the table at the point when the capabilities were added to the UEFI specification.*

---

## NOTE

---

*Unless otherwise specified, UEFI uses a standard CCITT32 CRC algorithm with a seed polynomial value of 0x04c11db7 for its CRC calculations.*

---

## NOTE

---

*The size of the system table, runtime services table, and boot services table may increase over time. It is very important to always use the `HeaderSize` field of the `EFI_TABLE_HEADER` to determine the size of these tables.*

---

## 4.3 EFI System Table

UEFI uses the EFI System Table, which contains pointers to the runtime and boot services tables. The definition for this table is shown in the following code fragments. Except for the table header, all elements in the service tables are pointers to functions as defined in Chapters 6 and 7. Prior to a call to `ExitBootServices()`, all of the fields of the EFI System Table are valid. After an operating system has taken control of the platform with a call to `ExitBootServices()`, only the `Hdr`, `FirmwareVendor`, `FirmwareRevision`, `RuntimeServices`, `NumberOfTableEntries`, and `ConfigurationTable` fields are valid.

## EFI\_SYSTEM\_TABLE

### Summary

Contains pointers to the runtime and boot services tables.

### Related Definitions

```
#define EFI_SYSTEM_TABLE_SIGNATURE      0x5453595320494249
#define EFI_SYSTEM_TABLE_REVISION      ((2<<16) | (00))
#define EFI_2_00_SYSTEM_TABLE_REVISION ((2<<16) | (00))
#define EFI_1_10_SYSTEM_TABLE_REVISION ((1<<16) | (10))
#define EFI_1_02_SYSTEM_TABLE_REVISION ((1<<16) | (02))

typedef struct {
    EFI_TABLE_HEADER           Hdr;
    CHAR16                    *FirmwareVendor;
    UINT32                     FirmwareRevision;
    EFI_HANDLE                 ConsoleInHandle;
    EFI_SIMPLE_INPUT_PROTOCOL *ConIn;
    EFI_HANDLE                 ConsoleOutHandle;
    EFI_SIMPLE_TEXT_OUTPUT_PROTOCOL *ConOut;
    EFI_HANDLE                 StandardErrorHandle;
    EFI_SIMPLE_TEXT_OUTPUT_PROTOCOL *StdErr;
    EFI_RUNTIME_SERVICES       *RuntimeServices;
    EFI_BOOT_SERVICES          *BootServices;
    UINTN                      NumberOfTableEntries;
    EFI_CONFIGURATION_TABLE    *ConfigurationTable;
} EFI_SYSTEM_TABLE;
```

## Parameters

<i>Hdr</i>	The table header for the EFI System Table. This header contains the <b>EFI_SYSTEM_TABLE_SIGNATURE</b> and <b>EFI_SYSTEM_TABLE_REVISION</b> values along with the size of the <b>EFI_SYSTEM_TABLE</b> structure and a 32-bit CRC to verify that the contents of the EFI System Table are valid.
<i>FirmwareVendor</i>	A pointer to a null terminated Unicode string that identifies the vendor that produces the system firmware for the platform.
<i>FirmwareRevision</i>	A firmware vendor specific value that identifies the revision of the system firmware for the platform.
<i>ConsoleInHandle</i>	The handle for the active console input device. This handle must support the <b><u>SIMPLE_INPUT_PROTOCOL</u></b> .
<i>ConIn</i>	A pointer to the <b>SIMPLE_INPUT_PROTOCOL</b> interface that is associated with <i>ConsoleInHandle</i> .
<i>ConsoleOutHandle</i>	The handle for the active console output device. This handle must support the <b><u>SIMPLE_TEXT_OUTPUT_PROTOCOL</u></b> .
<i>ConOut</i>	A pointer to the <b>SIMPLE_TEXT_OUTPUT_PROTOCOL</b> interface that is associated with <i>ConsoleOutHandle</i> .
<i>StandardErrorHandle</i>	The handle for the active standard error console device. This handle must support the <b><u>SIMPLE_TEXT_OUTPUT_PROTOCOL</u></b> .
<i>StdErr</i>	A pointer to the <b>SIMPLE_TEXT_OUTPUT_PROTOCOL</b> interface that is associated with <i>StandardErrorHandle</i> .
<i>RuntimeServices</i>	A pointer to the EFI Runtime Services Table. See Section 4.5.
<i>BootServices</i>	A pointer to the EFI Boot Services Table. See Section 4.4.
<i>NumberOfTableEntries</i>	The number of system configuration tables in the buffer <i>ConfigurationTable</i> .
<i>ConfigurationTable</i>	A pointer to the system configuration tables. The number of entries in the table is <i>NumberOfTableEntries</i> .

## 4.4 EFI Boot Services Table

UEFI uses the EFI Boot Services Table, which contains a table header and pointers to all of the boot services. The definition for this table is shown in the following code fragments. Except for the table header, all elements in the EFI Boot Services Tables are prototypes of function pointers to functions as defined in Chapter 6. The function pointers in this table are not valid after the operating system has taken control of the platform with a call to [ExitBootServices\(\)](#).

### EFI\_BOOT\_SERVICES

#### Summary

Contains a table header and pointers to all of the boot services.

#### Related Definitions

```
#define EFI_BOOT_SERVICES_SIGNATURE    0x56524553544f4f42
#define EFI_BOOT_SERVICES_REVISION    ((2<<16) | (00))

typedef struct {
    EFI_TABLE_HEADER                Hdr;

    //
    // Task Priority Services
    //
    EFI_RAISE_TPL                    RaiseTPL;           // EFI 1.0+
    EFI_RESTORE_TPL                  RestoreTPL;         // EFI 1.0+

    //
    // Memory Services
    //
    EFI_ALLOCATE_PAGES                AllocatePages;     // EFI 1.0+
    EFI_FREE_PAGES                    FreePages;         // EFI 1.0+
    EFI_GET_MEMORY_MAP                GetMemoryMap;     // EFI 1.0+
    EFI_ALLOCATE_POOL                 AllocatePool;      // EFI 1.0+
    EFI_FREE_POOL                     FreePool;         // EFI 1.0+

    //
    // Event & Timer Services
    //
    EFI_CREATE_EVENT                  CreateEvent;       // EFI 1.0+
    EFI_SET_TIMER                      SetTimer;         // EFI 1.0+
    EFI_WAIT_FOR_EVENT                WaitForEvent;     // EFI 1.0+
    EFI_SIGNAL_EVENT                  SignalEvent;       // EFI 1.0+
    EFI_CLOSE_EVENT                   CloseEvent;       // EFI 1.0+
    EFI_CHECK_EVENT                   CheckEvent;        // EFI 1.0+

    //

```

```

// Protocol Handler Services
//
EFI_INSTALL_PROTOCOL_INTERFACE    InstallProtocolInterface; //
                                  EFI 1.0+
EFI_REINSTALL_PROTOCOL_INTERFACE  ReinstallProtocolInterface; //
                                  EFI 1.0+
EFI_UNINSTALL_PROTOCOL_INTERFACE  UninstallProtocolInterface; //
                                  EFI 1.0+
EFI_HANDLE_PROTOCOL               HandleProtocol;    // EFI 1.0+
EFI_REGISTER_PROTOCOL_NOTIFY      RegisterProtocolNotify; // EFI
                                  1.0+
EFI_LOCATE_HANDLE                 LocateHandle;      // EFI 1.0+
EFI_LOCATE_DEVICE_PATH            LocateDevicePath;  // EFI 1.0+
EFI_INSTALL_CONFIGURATION_TABLE    InstallConfigurationTable; //
                                  EFI 1.0+

//
// Image Services
//
EFI_IMAGE_LOAD                    LoadImage;        // EFI 1.0+
EFI_IMAGE_START                   StartImage;       // EFI 1.0+
EFI_EXIT                          Exit;             // EFI 1.0+
EFI_IMAGE_UNLOAD                  UnloadImage;      // EFI 1.0+
EFI_EXIT_BOOT_SERVICES            ExitBootServices;  // EFI 1.0+

//
// Miscellaneous Services
//
EFI_GET_NEXT_MONOTONIC_COUNT      GetNextMonotonicCount; // EFI
                                  1.0+
EFI_STALL                         Stall;            // EFI 1.0+
EFI_SET_WATCHDOG_TIMER            SetWatchdogTimer;   // EFI 1.0+

//
// DriverSupport Services
//
EFI_CONNECT_CONTROLLER            ConnectController;  // EFI 1.1
EFI_DISCONNECT_CONTROLLER         DisconnectController; // EFI
                                  1.1+

//
// Open and Close Protocol Services
//
EFI_OPEN_PROTOCOL                 OpenProtocol;      // EFI
                                  1.1+

```



```

    EFI_CLOSE_PROTOCOL          CloseProtocol;          //
EFI 1.1+
    EFI_OPEN_PROTOCOL_INFORMATION  OpenProtocolInformation; //
    EFI 1.1+

//
// Library Services
//
    EFI_PROTOCOLS_PER_HANDLE      ProtocolsPerHandle;    // EFI
    1.1+
    EFI_LOCATE_HANDLE_BUFFER      LocateHandleBuffer;    // EFI
    1.1+
    EFI_LOCATE_PROTOCOL           LocateProtocol;        // EFI
    1.1+
    EFI_INSTALL_MULTIPLE_PROTOCOL_INTERFACES  InstallMultipleProtoco
lInterfaces;          // EFI 1.1+
    EFI_UNINSTALL_MULTIPLE_PROTOCOL_INTERFACES  UninstallMultipleProtoc
olInterfaces;        // EFI 1.1+

//
// 32-bit CRC Services
//
    EFI_CALCULATE_CRC32           CalculateCrc32;        //
    EFI 1.1+

//
// Miscellaneous Services
//
    EFI_COPY_MEM                  CopyMem;               // EFI
    1.1+
    EFI_SET_MEM                   SetMem;                // EFI
    1.1+
    EFI_CREATE_EVENT_EX           CreateEventEx;        // UEFI
2.0+
} EFI_BOOT_SERVICES;

```

## Parameters

<i>Hdr</i>	The table header for the EFI Boot Services Table. This header contains the <b>EFI_BOOT_SERVICES_SIGNATURE</b> and <b>EFI_BOOT_SERVICES_REVISION</b> values along with the size of the <b>EFI_BOOT_SERVICES</b> structure and a 32-bit CRC to verify that the contents of the EFI Boot Services Table are valid.
<i>RaiseTPL</i>	Raises the task priority level.
<i>RestoreTPL</i>	Restores/lowers the task priority level.
<i>AllocatePages</i>	Allocates pages of a particular type.
<i>FreePages</i>	Frees allocated pages.
<i>GetMemoryMap</i>	Returns the current boot services memory map and memory map key.
<i>AllocatePool</i>	Allocates a pool of a particular type.
<i>FreePool</i>	Frees allocated pool.
<i>CreateEvent</i>	Creates a general-purpose event structure.
<i>SetTimer</i>	Sets an event to be signaled at a particular time.
<i>WaitForEvent</i>	Stops execution until an event is signaled.
<i>SignalEvent</i>	Signals an event.
<i>CloseEvent</i>	Closes and frees an event structure.
<i>CheckEvent</i>	Checks whether an event is in the signaled state.
<i>InstallProtocolInterface</i>	Installs a protocol interface on a device handle.
<i>ReinstallProtocolInterface</i>	Reinstalls a protocol interface on a device handle.
<i>UninstallProtocolInterface</i>	Removes a protocol interface from a device handle.
<i>HandleProtocol</i>	Queries a handle to determine if it supports a specified protocol.
<i>Reserved</i>	Reserved. Must be <b>NULL</b> .
<i>RegisterProtocolNotify</i>	Registers an event that is to be signaled whenever an interface is installed for a specified protocol.
<i>LocateHandle</i>	Returns an array of handles that support a specified protocol.

<i>LocateDevicePath</i>	Locates all devices on a device path that support a specified protocol and returns the handle to the device that is closest to the path.
<i>InstallConfigurationTable</i>	Adds, updates, or removes a configuration table from the EFI System Table.
<i>LoadImage</i>	Loads an EFI image into memory.
<i>StartImage</i>	Transfers control to a loaded image's entry point.
<i>Exit</i>	Exits the image's entry point.
<i>UnloadImage</i>	Unloads an image.
<i>ExitBootServices</i>	Terminates boot services.
<i>GetNextMonotonicCount</i>	Returns a monotonically increasing count for the platform.
<i>Stall</i>	Stalls the processor.
<i>SetWatchdogTimer</i>	Resets and sets a watchdog timer used during boot services time.
<i>ConnectController</i>	Uses a set of precedence rules to find the best set of drivers to manage a controller.
<i>DisconnectController</i>	Informs a set of drivers to stop managing a controller.
<i>OpenProtocol</i>	Adds elements to the list of agents consuming a protocol interface.
<i>CloseProtocol</i>	Removes elements from the list of agents consuming a protocol interface.
<i>OpenProtocolInformation</i>	Retrieve the list of agents that are currently consuming a protocol interface.
<i>ProtocolsPerHandle</i>	Retrieves the list of protocols installed on a handle. The return buffer is automatically allocated.
<i>LocateHandleBuffer</i>	Retrieves the list of handles from the handle database that meet the search criteria. The return buffer is automatically allocated.
<i>LocateProtocol</i>	Finds the first handle in the handle database the supports the requested protocol.
<i>InstallMultipleProtocolInterfaces</i>	Installs one or more protocol interfaces onto a handle.

*UninstallMultipleProtocolInterfaces*

Uninstalls one or more protocol interfaces from a handle.

*CalculateCrc32*

Computes and returns a 32-bit CRC for a data buffer.

*CopyMem*

Copies the contents of one buffer to another buffer.

*SetMem*

Fills a buffer with a specified value.

*CreateEventEx*

Creates an event structure as part of an event group.

## 4.5 EFI Runtime Services Table

UEFI uses the EFI Runtime Services Table, which contains a table header and pointers to all of the runtime services. The definition for this table is shown in the following code fragments. Except for the table header, all elements in the EFI Runtime Services Tables are prototypes of function pointers to functions as defined in Chapter 7. Unlike the EFI Boot Services Table, this table, and the function pointers it contains are valid after the operating system has taken control of the platform with a call to [ExitBootServices\(\)](#). If a call to [SetVirtualAddressMap\(\)](#) is made by the OS, then the function pointers in this table are fixed up to point to the new virtually mapped entry points.

## EFI\_RUNTIME\_SERVICES

### Summary

Contains a table header and pointers to all of the runtime services.

### Related Definitions

```
#define EFI_RUNTIME_SERVICES_SIGNATURE 0x56524553544e5552
#define EFI_RUNTIME_SERVICES_REVISION ((2<<16) | (00))
```

```

typedef struct {
    EFI_TABLE_HEADER           Hdr;

    //
    // Time Services
    //
    EFI_GET_TIME               GetTime;
    EFI_SET_TIME               SetTime;
    EFI_GET_WAKEUP_TIME       GetWakeupTime;
    EFI_SET_WAKEUP_TIME       SetWakeupTime;

    //
    // Virtual Memory Services
    //
    EFI_SET_VIRTUAL_ADDRESS_MAP SetVirtualAddressMap;
    EFI_CONVERT_POINTER        ConvertPointer;

    //
    // Variable Services
    //
    EFI_GET_VARIABLE           GetVariable;
    EFI_GET_NEXT_VARIABLE_NAME GetNextVariableName;
    EFI_SET_VARIABLE           SetVariable;

    //
    // Miscellaneous Services
    //
    EFI_GET_NEXT_HIGH_MONO_COUNT GetNextHighMonotonicCount;
    EFI_RESET_SYSTEM           ResetSystem;

    //
    // UEFI 2.0 Capsule Services
    //
    EFI_UPDATE_CAPSULE         UpdateCapsule;
    EFI_QUERY_CAPSULE_CAPABILITIES QueryCapsuleCapabilities;

    //
    // Miscellaneous UEFI 2.0 Service
    //
    EFI_QUERY_VARIABLE_INFO    QueryVariableInfo;
} EFI_RUNTIME_SERVICES;

```

## Parameters

<i>Hdr</i>	The table header for the EFI Runtime Services Table. This header contains the <b>EFI_RUNTIME_SERVICES_SIGNATURE</b> and <b>EFI_RUNTIME_SERVICES_REVISION</b> values along with the size of the <b>EFI_RUNTIME_SERVICES</b> structure and a 32-bit CRC to verify that the contents of the EFI Runtime Services Table are valid.
<i>GetTime</i>	Returns the current time and date, and the time-keeping capabilities of the platform.
<i>SetTime</i>	Sets the current local time and date information.
<i>GetWakeupTime</i>	Returns the current wakeup alarm clock setting.
<i>SetWakeupTime</i>	Sets the system wakeup alarm clock time.
<i>SetVirtualAddressMap</i>	Used by an OS loader to convert from physical addressing to virtual addressing.
<i>ConvertPointer</i>	Used by EFI components to convert internal pointers when switching to virtual addressing.
<i>GetVariable</i>	Returns the value of a variable.
<i>GetNextVariableName</i>	Enumerates the current variable names.
<i>SetVariable</i>	Sets the value of a variable.
<i>GetNextHighMonotonicCount</i>	Returns the next high 32 bits of the platform's monotonic counter.
<i>ResetSystem</i>	Resets the entire platform.
<i>UpdateCapsule</i>	Passes capsules to the firmware with both virtual and physical mapping.
<i>QueryCapsuleCapabilities</i>	Returns if the capsule can be supported via <b>UpdateCapsule()</b> .
<i>QueryVariableInfo</i>	Returns information about the EFI variable store.

## 4.6 EFI Configuration Table

The EFI Configuration Table is the *ConfigurationTable* field in the EFI System Table. This table contains a set of GUID/pointer pairs. Each element of this table is described by the **EFI\_CONFIGURATION\_TABLE** structure below. The number of types of configuration tables is expected to grow over time. This is why a GUID is used to identify the configuration table type. The EFI Configuration Table may contain at most once instance of each table type.

### EFI\_CONFIGURATION\_TABLE

#### Summary

Contains a set of GUID/pointer pairs comprised of the *ConfigurationTable* field in the EFI System Table.

#### Related Definitions

```
typedef struct{
    EFI_GUID           VendorGuid;
    VOID              *VendorTable;
} EFI_CONFIGURATION_TABLE;
```

#### Parameters

The following list shows the GUIDs for tables defined in some of the industry standards. These industry standards define tables accessed as UEFI Configuration Tables on UEFI-based systems. This list is not exhaustive and does not show GUIDS for all possible UEFI Configuration tables.

*VendorGuid*            The 128-bit GUID value that uniquely identifies the system configuration table.

*VendorTable*          A pointer to the table associated with *VendorGuid*.

```
#define EFI_ACPI_20_TABLE_GUID \
    {0x8868e871, 0xe4f1, 0x11d3, 0xbc, 0x22, 0x0, 0x80, 0xc7, 0x3c, 0x88, 0x81}
```

```
#define ACPI_TABLE_GUID \
    {0xeb9d2d30, 0x2d88, 0x11d3, 0x9a, 0x16, 0x0, 0x90, 0x27, 0x3f, 0xc1, 0x4d}
```

```
#define SAL_SYSTEM_TABLE_GUID \
    {0xeb9d2d32, 0x2d88, 0x11d3, 0x9a, 0x16, 0x0, 0x90, 0x27, 0x3f, 0xc1, 0x4d}
```

```
#define SMBIOS_TABLE_GUID \
    {0xeb9d2d31, 0x2d88, 0x11d3, 0x9a, 0x16, 0x0, 0x90, 0x27, 0x3f, 0xc1, 0x4d}
```

```
#define MPS_TABLE_GUID \
    {0xeb9d2d2f, 0x2d88, 0x11d3, 0x9a, 0x16, 0x0, 0x90, 0x27, 0x3f, 0xc1, 0x4d}
```

```

//
// ACPI 2.0 or newer tables should use EFI_ACPI_TABLE_GUID
//
#define EFI_ACPI_TABLE_GUID \
{0x8868e871,0xe4f1,0x11d3,0xbc,0x22,0x0,0x80,0xc7,0x3c,0x88,0x81}
#define ACPI_10_TABLE_GUID \
{0xeb9d2d30,0x2d88,0x11d3,0x9a,0x16,0x0,0x90,0x27,0x3f,0xc1,0x4d}

```

## 4.7 Image Entry Point Examples

The examples in the following sections show how the various table examples are presented in the UEFI environment.

### 4.7.1 Image Entry Point Examples

The following example shows the image entry point for a UEFI Application. This application makes use of the EFI System Table, the EFI Boot Services Table, and the EFI Runtime Services Table.

```

EFI_SYSTEM_TABLE          *gST;
EFI_BOOT_SERVICES_TABLE   *gBS;
EFI_RUNTIME_SERVICES_TABLE *gRT;

EfiApplicationEntryPoint(
    IN EFI_HANDLE      ImageHandle,
    IN EFI_SYSTEM_TABLE *SystemTable
)
{
    EFI_STATUS  Status;
    EFI_TIME    *Time;

    gST = SystemTable;
    gBS = gST->BootServices;
    gRT = gST->RuntimeServices;

    //
    // Use EFI System Table to print "Hello World" to the active console output
    // device.
    //
    Status = gST->ConOut->OutputString (gST->ConOut, L"Hello World\n\r");
    if (EFI_ERROR (Status)) {
        return Status;
    }

    //
    // Use EFI Boot Services Table to allocate a buffer to store the current time
    // and date.
    //
    Status = gBS->AllocatePool (
        EfiBootServicesData,
        sizeof (EFI_TIME),
        (VOID **) &Time
    );
    if (EFI_ERROR (Status)) {
        return Status;
    }
}

```



```

//
// Use the EFI Runtime Services Table to get the current time and date.
//
Status = gRT->GetTime (Time, NULL)
if (EFI_ERROR (Status)) {
    return Status;
}

return Status;
}

```

The following example shows the UEFI image entry point for a driver that does not follow the *UEFI Driver Model*. Since this driver returns **EFI\_SUCCESS**, it will stay resident in memory after it exits.

```

EFI_SYSTEM_TABLE                *gST;
EFI_BOOT_SERVICES_TABLE         *gBS;
EFI_RUNTIME_SERVICES_TABLE      *gRT;

EfiDriverEntryPoint(
    IN EFI_HANDLE      ImageHandle,
    IN EFI_SYSTEM_TABLE *SystemTable
)

{
    gST = SystemTable;
    gBS = gST->BootServices;
    gRT = gST->RuntimeServices;

    //
    // Implement driver initialization here.
    //

    return EFI_SUCCESS;
}

```

The following example shows the UEFI image entry point for a driver that also does not follow the *UEFI Driver Model*. Since this driver returns **EFI\_DEVICE\_ERROR**, it will not stay resident in memory after it exits.

```

EFI_SYSTEM_TABLE                *gST;
EFI_BOOT_SERVICES_TABLE         *gBS;
EFI_RUNTIME_SERVICES_TABLE      *gRT;

EfiDriverEntryPoint(
    IN EFI_HANDLE      ImageHandle,
    IN EFI_SYSTEM_TABLE *SystemTable
)

{
    gST = SystemTable;
    gBS = gST->BootServices;
    gRT = gST->RuntimeServices;
}

```

```

//
// Implement driver initialization here.
//

return EFI_DEVICE_ERROR;
}

```

## 4.7.2 UEFI Driver Model Example

The following is an UEFI *Driver Model* example that shows the driver initialization routine for the ABC device controller that is on the XYZ bus. The **EFI DRIVER BINDING PROTOCOL** is defined in Chapter 9. The function prototypes for the **AbcSupported()**, **AbcStart()**, and **AbcStop()** functions are defined in Section 9.1. This function saves the driver's image handle and a pointer to the EFI boot services table in global variables, so the other functions in the same driver can have access to these values. It then creates an instance of the **EFI\_DRIVER\_BINDING\_PROTOCOL** and installs it onto the driver's image handle.

```

extern EFI_GUID gEfiDriverBindingProtocolGuid;
EFI_BOOT_SERVICES_TABLE *gBS;
static EFI_DRIVER_BINDING_PROTOCOL mAbcDriverBinding = {
    AbcSupported,
    AbcStart,
    AbcStop,
    1,
    NULL,
    NULL
};

AbcEntryPoint(
    IN EFI_HANDLE ImageHandle,
    IN EFI_SYSTEM_TABLE *SystemTable
)
{
    EFI_STATUS Status;

    gBS = SystemTable->BootServices;

    mAbcDriverBinding->ImageHandle = ImageHandle;
    mAbcDriverBinding->DriverBindingHandle = ImageHandle;

    Status = gBS->InstallMultipleProtocolInterfaces(
        &mAbcDriverBinding->DriverBindingHandle,
        &gEfiDriverBindingProtocolGuid, &mAbcDriverBinding,
        NULL
    );

    return Status;
}

```

### 4.7.3 UEFI Driver Model Example (Unloadable)

The following is the same UEFI driver *Model* example as above, except it also includes the code required to allow the driver to be unloaded through the boot service **Unload()**. Any protocols installed or memory allocated in **AbcEntryPoint()** must be uninstalled or freed in the **AbcUnload()**.

```
extern EFI_GUID gEfiLoadedImageProtocolGuid;
extern EFI_GUID gEfiDriverBindingProtocolGuid;
EFI_BOOT_SERVICES_TABLE *gBS;
static EFI_DRIVER_BINDING_PROTOCOL mAbcDriverBinding = {
    AbcSupported,
    AbcStart,
    AbcStop,
    1,
    NULL,
    NULL
};

EFI_STATUS
AbcUnload (
    IN EFI_HANDLE ImageHandle
);

AbcEntryPoint(
    IN EFI_HANDLE ImageHandle,
    IN EFI_SYSTEM_TABLE *SystemTable
)
{
    EFI_STATUS Status;
    EFI_LOADED_IMAGE_PROTOCOL *LoadedImage;

    gBS = SystemTable->BootServices;

    Status = gBS->OpenProtocol (
        ImageHandle,
        &gEfiLoadedImageProtocolGuid,
        &LoadedImage,
        ImageHandle,
        NULL,
        EFI_OPEN_PROTOCOL_GET_PROTOCOL
    );
    if (EFI_ERROR (Status)) {
        return Status;
    }
    LoadedImage->Unload = AbcUnload;

    mAbcDriverBinding->ImageHandle = ImageHandle;
    mAbcDriverBinding->DriverBindingHandle = ImageHandle;

    Status = gBS->InstallMultipleProtocolInterfaces (
        &mAbcDriverBinding->DriverBindingHandle,
        &gEfiDriverBindingProtocolGuid, &mAbcDriverBinding,
        NULL
    );

    return Status;
}
```

```

EFI_STATUS
AbcUnload (
    IN EFI_HANDLE  ImageHandle
)

{
    EFI_STATUS  Status;

    Status = gBS->UninstallMultipleProtocolInterfaces (
        ImageHandle,
        &gEfiDriverBindingProtocolGuid, &mAbcDriverBinding,
        NULL
    );

    return Status;
}

```

#### 4.7.4 EFI Driver Model Example (Multiple Instances)

The following is the same as the first *UEFI Driver Model* example, except it produces three **EFI DRIVER BINDING PROTOCOL** instances. The first one is installed onto the driver's image handle. The other two are installed onto newly created handles.

```

extern EFI_GUID                gEfiDriverBindingProtocolGuid;
EFI_BOOT_SERVICES_TABLE       *gBS;

static EFI_DRIVER_BINDING_PROTOCOL  mAbcDriverBindingA = {
    AbcSupportedA,
    AbcStartA,
    AbcStopA,
    1,
    NULL,
    NULL
};

static EFI_DRIVER_BINDING_PROTOCOL  mAbcDriverBindingB = {
    AbcSupportedB,
    AbcStartB,
    AbcStopB,
    1,
    NULL,
    NULL
};

static EFI_DRIVER_BINDING_PROTOCOL  mAbcDriverBindingC = {
    AbcSupportedC,
    AbcStartC,
    AbcStopC,
    1,
    NULL,
    NULL
};

```

```

    AbcEntryPoint(
        IN EFI_HANDLE      ImageHandle,
        IN EFI_SYSTEM_TABLE *SystemTable
    )
{
    EFI_STATUS  Status;

    gBS = SystemTable->BootServices;

    //
    // Install mAbcDriverBindingA onto ImageHandle
    //
    mAbcDriverBindingA->ImageHandle      = ImageHandle;
    mAbcDriverBindingA->DriverBindingHandle = ImageHandle;

    Status = gBS->InstallMultipleProtocolInterfaces(
        &mAbcDriverBindingA->DriverBindingHandle,
        &gEfiDriverBindingProtocolGuid, &mAbcDriverBindingA,
        NULL
    );
    if (EFI_ERROR (Status)) {
        return Status;
    }

    //
    // Install mAbcDriverBindingB onto a newly created handle
    //
    mAbcDriverBindingB->ImageHandle      = ImageHandle;
    mAbcDriverBindingB->DriverBindingHandle = NULL;

    Status = gBS->InstallMultipleProtocolInterfaces(
        &mAbcDriverBindingB->DriverBindingHandle,
        &gEfiDriverBindingProtocolGuid, &mAbcDriverBindingB,
        NULL
    );
    if (EFI_ERROR (Status)) {
        return Status;
    }

    //
    // Install mAbcDriverBindingC onto a newly created handle
    //
    mAbcDriverBindingC->ImageHandle      = ImageHandle;
    mAbcDriverBindingC->DriverBindingHandle = NULL;

    Status = gBS->InstallMultipleProtocolInterfaces(
        &mAbcDriverBindingC->DriverBindingHandle,
        &gEfiDriverBindingProtocolGuid, &mAbcDriverBindingC,
        NULL
    );

    return Status;
}

```



# GUID Partition Table (GPT) Format

---

## 5.1 EFI Partition Formats

This specification defines a new partitioning scheme that must be supported by firmware which conforms to it. The following list outlines the advantages of using the GUID Partition Table over the legacy MBR partition table:

- Logical Block Addressing is 64 bits.
- Supports many partitions.
- Uses a primary and backup table for redundancy.
- Uses version number and size fields for future expansion.
- Uses CRC32 fields for improved data integrity.
- Defines a GUID for uniquely identifying each partition.
- Uses a GUID and attributes to define partition content type.
- Each partition contains a 36 Unicode character human readable name.

## 5.2 LBA 0 Format

LBA 0 (i.e. the first block) of the hard disk contains either a legacy Master Boot Record (MBR) (see Section 5.2.1) or a protective MBR (see Section 5.2.2).

### 5.2.1 Legacy Master Boot Record (MBR)

A legacy master boot record may be located at LBA 0 (i.e. the first block) of the hard disk if it is not using the GPT partition scheme. The boot code on the MBR is not executed by EFI firmware. The MBR may optionally contain a UniqueMBRSignature located as defined in Table 10. The UniqueMBRSignature must be maintained by operating systems, and is never maintained by EFI firmware. The UniqueMBRSignature is only 4 bytes in length, so it is not a GUID. UEFI does not specify the algorithm that is used to generate UniqueMBRSignature. The uniqueness of UniqueMBRSignature is defined as all disks in a given system having a unique value in this field.

**Table 10. Legacy Master Boot Record**

Mnemonic	Byte Offset	Byte Length	Description
<i>BootCode</i>	0	440	Code used on a legacy system to select a partition record and load the first block (sector) of the partition pointed to by the partition record. This code is not executed on UEFI systems.

Mnemonic	Byte Offset	Byte Length	Description
<i>UniqueMBRSignature</i>	440	4	Unique Disk Signature, this is an optional feature and not on all hard drives. This value is always written by the OS and is never written by EFI firmware.
<i>Unknown</i>	444	2	Unknown
<i>PartitionRecord</i>	446	16*4	Array of four legacy MBR partition records (see Table 11).
<i>Signature</i>	510	2	Must be 0xaa55 (i.e., byte 510 contains 0x55 and byte 511 contains 0xaa).
<i>Reserved</i>	512	BlockSize - 512	The rest of the logical block, if any, is reserved.

The MBR contains four partition records that define the beginning and ending LBA addresses that a partition consumes on a hard disk. The partition record contains a legacy Cylinder Head Sector (CHS) address that is not used in UEFI. UEFI utilizes the *StartingLBA* entry to define the starting LBA of the partition on the disk. The size of the partition is defined by the *SizeInLBA* field.

The boot indicator field is not used by EFI firmware. The operating system indicator value of 0xEF defines a partition that contains a UEFI file system. The other values of the system indicator are not defined by this specification. If an MBR partition has an operating system indicator value of 0xEF, then the firmware must add the EFI System Partition GUID to the handle for the MBR partition using [InstallProtocolInterface\(\)](#). This will allow drivers and applications, including OS loaders, to easily search for handles that represent EFI System Partitions.



**Table 11. Legacy Master Boot Record Partition Record**

<b>Mnemonic</b>	<b>Byte Offset</b>	<b>Byte Length</b>	<b>Description</b>
<i>BootIndicator</i>	0	1	Not used by EFI firmware . 0x80 indicates that this is the bootable legacy partition.
<i>StartingCHS</i>	1	3	Start of partition in CHS address format, not used by EFI firmware.
<i>OSType</i>	4	1	Type of partition. 0xEF defines an EFI system partition. 0xEE is used by a protective MBR (Table 12) to define a fake partition covering the entire disk. Other values are used by legacy operating systems, and are allocated independently of the UEFI specification.
<i>Ending CHS</i>	1	3	End of partition in CHS address format, not used by EFI firmware.
<i>Starting LBA</i>	8	4	Starting LBA of the partition on the disk. Used by EFI firmware to define the start of the partition.
<i>SizeInLBA</i>	12	4	Size of the partition in LBA units of logical blocks.. Used by EFI firmware to determine the size of the partition.

The following test must be performed to determine if a legacy MBR is valid:

- The Signature must be 0xaa55.
- A partition record that contains an OSType value of zero or a SizeInLBA value of zero may be ignored.

Otherwise:

- The partition defined by each MBR partition record must physically reside on the disk.
- Each partition must not overlap with other partitions.

## 5.2.2 Protective Master Boot Record

On all GUID Partition Table disks a Protective MBR (PMBR) in LBA 0 (that is, the first block) precedes the GUID Partition Table Header to maintain compatibility with existing tools that do not understand GPT partition structures. The Protective MBR has the same format as a legacy MBR (see Section 5.2.1) and contains one partition entry with an *OSType* set to 0xEE reserving the entire space used on the disk by the GPT partitions, including all headers as shown in Table 12. If the GPT partition is larger than a partition that can be represented by a legacy MBR, values of all *Fs* must be used to signify that all space that can be possibly reserved by the MBR is being reserved.

**Table 12. Protective MBR Partition Record**

Mnemonic	Byte Offset	Byte Length	Description
<i>BootIndicator</i>	0	1	Must be set to zero to indicate nonbootable partition.
<i>StartingCHS</i>	1	3	Must be 0x000200, corresponding to the <i>StartingLBA</i> .
<i>OSType</i>	4	1	Must be 0xEE.
<i>EndingCHS</i>	1	3	Set to the CHS address of the last logical block on the disk. Must be set to 0xFFFFFFFF if it is not possible to represent the value in these fields.
<i>StartingLBA</i>	8	4	Must be 0x00000001.
<i>SizeInLBA</i>	12	4	Size of the disk minus one. Set to 0xFFFFFFFF if the size of the disk is too large to be represented in this field.

## 5.3 GUID Partition Table (GPT) Format

This specification defines a new GUID Partition Table (GPT) partitioning scheme that must be supported by EFI firmware.

### 5.3.1 GUID Format overview

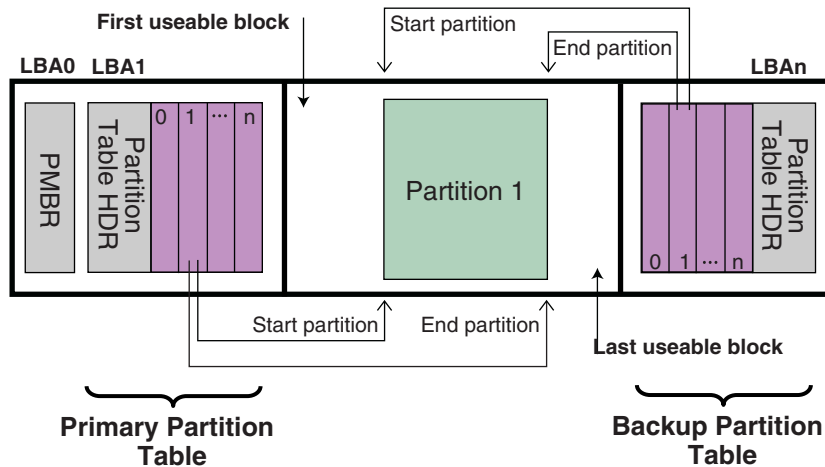
The GPT partitioning scheme is depicted in Figure 16. The GUID Partition Table Header (see Section 5.3.2) starts with a signature and a revision number that specifies the format of the data bytes in the partition header. The GUID Partition Table Header contains a header size field that is used in calculating the CRC32 that confirms the integrity of the GUID Partition Table Header. While the GUID Partition Table Header's size may increase in the future it cannot span more than one block on the device.

LBA 0 (i.e., the first logical block) contains a protective MBR (see Section 5.2.2).

Two GUID Partition Table Header structures are stored on the device: the primary and the backup. The primary GUID Partition Table Header must be located in LBA 1 (i.e., the second logical

block), and the backup GUID Partition Table Header must be located in the last LBA of the logical device. Within the GUID Partition Table Header the *MyLBA* field contains the logical block address of the GUID Partition Table Header itself, and the *AlternateLBA* field contains the logical block address of the other GUID Partition Table Header. For example, the primary GUID Partition Table Header's *MyLBA* value would be 1 and its *AlternateLBA* would be the value for the last block of the logical device. The backup GUID Partition Table Header's fields would be reversed.

The GUID Partition Table Header defines the range of logical block addresses that are usable by Partition Entries. This range is defined to be inclusive of *FirstUsableLBA* through *LastUsableLBA* on the logical device. All data stored on the volume must be stored between the *FirstUsableLBA* through *LastUsableLBA*, and only the data structures defined by UEFI to manage partitions may reside outside of the usable space. The value of *DiskGUID* is a GUID that uniquely identifies the entire GUID Partition Table Header and all its associated storage. This value can be used to uniquely identify the disk. The start of the GUID Partition Entry array is located at the logical block address *PartitionEntryLBA*. The size of a GUID Partition Entry element is defined in the *SizeOfPartitionEntry* field. There is a 32-bit CRC of the GUID Partition Entry array that is stored in the GUID Partition Table Header in *PartitionEntryArrayCRC32* field. The size of the GUID Partition Entry array is *SizeOfPartitionEntry* multiplied by *NumberOfPartitionEntries*. When a GUID Partition Entry is updated, the *PartitionEntryArrayCRC32* must be updated. When the *PartitionEntryArrayCRC32* is updated, the GUID Partition Table Header CRC must also be updated, since the *PartitionEntryArrayCRC32* is stored in the GUID Partition Table Header.



OM13160

**Figure 16. GUID Partition Table (GPT) Scheme**

The primary GUID Partition Entry array must be located after the primary GUID Partition Table Header and end before the *FirstUsableLBA*. The backup GUID Partition Entry array must be located after the *LastUsableLBA* and end before the backup GUID Partition Table Header.

Therefore the primary and backup GUID Partition Entry arrays are stored in separate locations on the disk. GUID Partition Entries define a partition that is contained in a range that is within the usable space declared by the GUID Partition Table Header. Zero or more GUID Partition Entries may be in use in the GUID Partition Entry array. Each defined partition must not overlap with any other defined partition. If all the fields of a GUID Partition Entry are zero, the entry is not in use. A minimum of 16,384 bytes of space must be reserved for the GUID Partition Entry array.

If the block size is 512, the *FirstUsableLBA* will be greater than or equal to 34 (allowing 1 block for the PMBR, 1 block for the Partition Table Header, and 32 blocks for the GUID Partition Table Entry array); if the logical block size is 4096, the *FirstUseableLBA* will be greater than or equal to 6 (allowing 1 block for the PMBR, 1 block for the Partition Table Header, and 4 blocks for the GUID Partition Table Entry array).

Historically, the logical block size and physical block size have often both been 512 bytes long. However, other block sizes may be used by a device, and larger block sizes may become more prevalent over time.

The device may present a logical block size that is not 512 bytes long. In ATA, this is called the Long Logical Sector feature set; an ATA device reports support for this feature set in IDENTIFY DEVICE data word 106 bit 12 and reports the number of words (i.e., 2 bytes) per logical sector in IDENTIFY DEVICE data words 117-118. A SCSI device reports its logical block size in the READ CAPACITY parameter data Block Length In Bytes field.

The device may present a logical block size that is smaller than the physical block size (e.g., present a logical block size of 512 bytes but implement a physical block size of 4,096 bytes). In ATA, this is called the Long Physical Sector feature set; an ATA device reports support for this feature set in IDENTIFY DEVICE data word 106 bit 13 and reports the Physical Sector Size/Logical Sector Size ratio in IDENTIFY DEVICE data word 106 bits 3-0 (as of ATA/ATAPI-7, this field can report 1, 2, 4, or 8 logical sectors per physical sector).

GPT partitions should not start at a boundary that is not aligned to the physical block size of the device, or performance may be impacted. For example, if the logical block size is 512 and the physical block size is 4,096, a GPT partition should not start at an LBA that is not a multiple of 8. GPT partitions may start at larger boundaries. To avoid the need to determine the physical block size, software may align GPT partitions at significantly larger boundaries. For example, it may use LBAs that are multiples of 256 to support physical block sizes up to 131,072 bytes.

## 5.3.2 GPT Partition Table Header

**Table 13. GUID Partition Table Header**

<b>Mnemonic</b>	<b>Byte Offset</b>	<b>Byte Length</b>	<b>Description</b>
<i>Signature</i>	0	8	Identifies EFI-compatible partition table header. This value must contain the string "EFI PART," 0x5452415020494645.
<i>Revision</i>	8	4	The revision number for this header. This revision value is not related to the UEFI Specification version. This header is version 1.0, so the correct value is 0x00010000.
<i>HeaderSize</i>	12	4	Size in bytes of the GUID Partition Table Header. The <i>HeaderSize</i> must be greater than 92 and must be less than or equal to the logical block size.
<i>HeaderCRC32</i>	16	4	CRC32 checksum for the GUID Partition Table Header structure. This value is computed by setting this field to 0, and computing the 32-bit CRC for <i>HeaderSize</i> bytes.
<i>Reserved</i>	20	4	Must be zero.
<i>MyLBA</i>	24	8	The LBA that contains this data structure.
<i>AlternateLBA</i>	32	8	LBA address of the alternate GUID Partition Table Header.
<i>FirstUsableLBA</i>	40	8	The first usable logical block that may be used by a partition described by a GUID Partition Entry.
<i>LastUsableLBA</i>	48	8	The last usable logical block that may be used by a partition described by a GUID Partition Entry.
<i>DiskGUID</i>	56	16	GUID that can be used to uniquely identify the disk.
<i>PartitionEntryLBA</i>	72	8	The starting LBA of the GUID Partition Entry array.
<i>NumberOfPartitionEntries</i>	80	4	The number of Partition Entries in the GUID Partition Entry array.
<i>SizeOfPartitionEntry</i>	84	4	The size, in bytes, of each the GUID Partition Entry structures in the GUID Partition Entry array. Must be a multiple of 8.
<i>PartitionEntryArrayCRC32</i>	88	4	The CRC32 of the GUID Partition Entry array. Starts at <i>PartitionEntryLBA</i> and is computed over a byte length of $\text{NumberOfPartitionEntries} * \text{SizeOfPartitionEntry}$ .

Mnemonic	Byte Offset	Byte Length	Description
<i>Reserved</i>	92	BlockSize – 92	The rest of the block is reserved by UEFI and must be zero.

The following test must be performed to determine if a GUID Partition Table is valid:

- Check the GUID Partition Table Signature
- Check the GUID Partition Table CRC
- Check that the *MyLBA* entry points to the LBA that contains the GUID Partition Table
- Check the CRC of the GUID Partition Entry Array

If the GUID Partition Table is the primary table, stored at LBA 1:

- Check the *AlternateLBA* to see if it is a valid GUID Partition Table

If the primary GUID Partition Table is corrupt, software must check the last LBA of the device to see if it has a valid GUID Partition Table Header and point to a valid GUID Partition Entry Array. If it points to a valid GUID Partition Entry Array, then software should restore the primary GUID Partition Table if allowed by platform policy settings (e.g. a platform may require a user to provide confirmation before restoring the table, or may allow the table to be restored automatically).

Software must report whenever it restores a GUID Partition Table.

Software should ask a user for confirmation before restoring the primary GUID Partition Table and must report whenever it does modify the media to restore a GUID Partition Table. If a GPT formatted disk is reformatted to the legacy MBR format by legacy software, the last logical block might not be overwritten and might still contain a stale GUID Partition Table. If GPT-cognizant software then accesses the disk and honors the stale GUID Partition Table, it will misinterpret the contents of the disk. Software may detect this scenario if the legacy MBR contains valid partitions rather than a protective MBR (see Section 5.2.1).

Any software that updates the primary GUID Partition Table must also update the backup GUID Partition Table. Software may update the GUID Partition Table Header and GUID Partition Entry array in any order, since all the CRCs are stored in the GUID Partition Table Header. Software must update the backup GUID Partition Table before the primary GUID Partition Table, so if the size of device has changed (e.g. volume expansion) and the update is interrupted, the backup GUID Partition Table is in the proper location on the disk

If the primary GUID Partition Table is invalid, the backup GUID Partition Table is used instead and it is located on the last logical block on the disk. If the backup GUID Partition Table is valid it must be used to restore the primary GUID Partition Table. If the primary GUID Partition Table is valid and the backup GUID Partition Table is invalid software must restore the backup GUID Partition Table. If both the primary and backup GUID Partition Tables are corrupted this block device is defined as not having a valid GUID Partition Header.

Both the primary and backup GUID Partition Tables must be valid before an attempt is made to grow the size of a physical volume. This is due to the GUID Partition Table recovery scheme depending on locating the backup GUID Partition Table at the end of the physical device. A volume may grow in size when disks are added to a RAID device. As soon as the volume size is

increased the backup GUID Partition Table must be moved to the end of the volume and the primary and backup GUID Partition Table Headers must be updated to reflect the new volume size.

### 5.3.3 GUID Partition Entry Array

**Table 14. GUID Partition Entry**

<b>Mnemonic</b>	<b>Byte Offset</b>	<b>Byte Length</b>	<b>Description</b>
<i>PartitionTypeGUID</i>	0	16	Unique ID that defines the purpose and type of this Partition. A value of zero defines that this partition entry is not being used.
<i>UniquePartitionGUID</i>	16	16	GUID that is unique for every partition entry. Every partition ever created will have a unique GUID. This GUID must be assigned when the GUID Partition Entry is created. The GUID Partition Entry is created when ever the <i>NumberOfPartitionEntries</i> in the GUID Partition Table Header is increased to include a larger range of addresses.
<i>StartingLBA</i>	32	8	Starting LBA of the partition defined by this entry.
<i>EndingLBA</i>	40	8	Ending LBA of the partition defined by this entry.
<i>Attributes</i>	48	8	Attribute bits, all bits reserved by UEFI (see Table 15).
<i>Partition Name</i>	56	72	Unicode string.
<i>Reserved</i>	128	SizeOfPartitionEntry - 72	The rest of the GUID partition entry, if any, is reserved by UEFI and must be zero.

The *SizeOfPartitionEntry* variable in the GUID Partition Table Header defines the size of each GUID Partition Entry. Each partition entry contains a Unique Partition GUID variable that uniquely identifies every partition that will ever be created. Any time a new partition entry is created a new GUID must be generated for that partition, and every partition is guaranteed to have a unique GUID. The partition is defined as all the logical blocks inclusive of the *StartingLBA* and *EndingLBA*.

The *PartitionTypeGUID* field identifies the contents of the partition. This GUID is similar to the *OSType* field in the legacy MBR. Each file system must publish its unique GUID. The *Attributes* field can be used by utilities to make broad inferences about the usage of a partition and is defined in Table 15. The *PartitionName* field contains a 36-character Unicode string containing a human readable string that can be used to represent what information is stored on the partition. This allows third party utilities to give human readable names to partitions.

The firmware must add the *PartitionTypeGuid* to the handle of every active GPT partition using **InstallProtocolInterface ()**. This will allow drivers and applications, including OS loaders, to easily search for handles that represent EFI System Partitions or vendor specific partition types.

Software that makes copies of GPT-formatted disks and partitions must generate new Disk GUID values in the GUID Partition Table Headers and new Unique Partition GUID values in each GUID Partition Entry. If GPT-cognizant software encounters two disks or partitions with identical GUIDs, results will be indeterminate.

**Table 15. Defined GUID Partition Entry - Partition Type GUIDs**

Description	GUID Value
Unused Entry	00000000-0000-0000-0000-000000000000
EFI System Partition	C12A7328-F81F-11d2-BA4B-00A0C93EC93B
Partition containing a legacy MBR	024DEE41-33E7-11d3-9D69-0008C781F39F

OS vendors need to generate their own GUIDs to identify their partition types.

**Table 16. Defined GUID Partition Entry - Attributes**

Bits	Description
Bit 0	Required for the platform to function. The system cannot function normally if this partition is removed. This partition should be considered as part of the hardware of the system, and if it is removed the system may not boot. It may contain diagnostics, recovery tools, or other code or data that is critical to the functioning of a system independent of any OS.
Bits 1-47	Undefined and must be zero. Reserved for expansion by future versions of the UEFI specification.
Bits 48-63	Reserved for GUID specific use. The use of these bits will vary depending on the <i>PartitionTypeGUID</i> . Only the owner of the <i>PartitionTypeGUID</i> is allowed to modify these bits. They must be preserved if Bits 0–47 are modified.



## Services — Boot Services

---

This chapter discusses the fundamental boot services that are present in a compliant system. The services are defined by interface functions that may be used by code running in the UEFI environment. Such code may include protocols that manage device access or extend platform capability, as well as applications running in the preboot environment, and OS loaders.

Two types of services apply in an compliant system:

- **Boot Services.** Functions that are available *before* a successful call to `ExitBootServices()`. These functions are described in this chapter.
- **Runtime Services.** Functions that are available *before and after* any call to `ExitBootServices()`. These functions are described in Chapter 6.

During boot, system resources are owned by the firmware and are controlled through boot services interface functions. These functions can be characterized as “global” or “handle-based.” The term “global” simply means that a function accesses system services and is available on all platforms (since all platforms support all system services). The term “handle-based” means that the function accesses a specific device or device functionality and may not be available on some platforms (since some devices are not available on some platforms). Protocols are created dynamically. This chapter discusses the “global” functions and runtime functions; subsequent chapters discuss the “handle-based.”

UEFI applications (including OS loaders) must use boot services functions to access devices and allocate memory. On entry, an Image is provided a pointer to a system table which contains the Boot Services dispatch table and the default handles for accessing the console. All boot services functionality is available until an OS loader loads enough of its own environment to take control of the system’s continued operation and then terminates boot services with a call to `ExitBootServices()`.

In principle, the `ExitBootServices()` call is intended for use by the operating system to indicate that its loader is ready to assume control of the platform and all platform resource management. Thus boot services are available up to this point to assist the OS loader in preparing to boot the operating system. Once the OS loader takes control of the system and completes the operating system boot process, only runtime services may be called. Code other than the OS loader, however, may or may not choose to call `ExitBootServices()`. This choice may in part depend upon whether or not such code is designed to make continued use of boot services or the boot services environment.

The rest of this chapter discusses individual functions. Global boot services functions fall into these categories:

- Event, Timer, and Task Priority Services (Section 6.1)
- Memory Allocation Services (Section 6.2)
- Protocol Handler Services (Section 6.3)
- Image Services (Section 6.4)
- Miscellaneous Services (Section 6.5)

## 6.1 Event, Timer, and Task Priority Services

The functions that make up the Event, Timer, and Task Priority Services are used during preboot to create, close, signal, and wait for events; to set timers; and to raise and restore task priority levels. See Table 17.

**Table 17. Event, Timer, and Task Priority Functions**

Name	Type	Description
CreateEvent	Boot	Creates a general-purpose event structure.
CreateEventEx	Boot	Creates an event structure as part of an event group
CloseEvent	Boot	Closes and frees an event structure.
SignalEvent	Boot	Signals an event.
WaitForEvent	Boot	Stops execution until an event is signaled.
CheckEvent	Boot	Checks whether an event is in the signaled state.
SetTimer	Boot	Sets an event to be signaled at a particular time.
RaiseTPL	Boot	Raises the task priority level.
RestoreTPL	Boot	Restores/lowers the task priority level.

Execution in the boot services environment occurs at different task priority levels, or TPLs. The boot services environment exposes only three of these levels to UEFI applications and drivers:

- **TPL\_APPLICATION**, the lowest priority level
- **TPL\_CALLBACK**, an intermediate priority level
- **TPL\_NOTIFY**, the highest priority level

Tasks that execute at a higher priority level may interrupt tasks that execute at a lower priority level. For example, tasks that run at the **TPL\_NOTIFY** level may interrupt tasks that run at the **TPL\_APPLICATION** or **TPL\_CALLBACK** level. While **TPL\_NOTIFY** is the highest level exposed to the boot services applications, the firmware may have higher task priority items it deals with. For example, the firmware may have to deal with tasks of higher priority like timer ticks and internal devices. Consequently, there is a fourth TPL, **TPL\_HIGH\_LEVEL**, designed for use exclusively by the firmware.

The intended usage of the priority levels is shown in Table 18 from the lowest level (**TPL\_APPLICATION**) to the highest level (**TPL\_HIGH\_LEVEL**). As the level increases, the duration of the code and the amount of blocking allowed decrease. Execution generally occurs at the **TPL\_APPLICATION** level. Execution occurs at other levels as a direct result of the triggering of an event notification function (this is typically caused by the signaling of an event). During timer interrupts, firmware signals timer events when an event's "trigger time" has expired. This allows event notification functions to interrupt lower priority code to check devices (for example). The notification function can signal other events as required. After all pending event notification functions execute, execution continues at the **TPL\_APPLICATION** level.

**Table 18. TPL Usage**

<b>Task Priority Level</b>	<b>Usage</b>
<b>TPL_APPLICATION</b>	This is the lowest priority level. It is the level of execution which occurs when no event notifications are pending and which interacts with the user. User I/O (and blocking on User I/O) can be performed at this level. The boot manager executes at this level and passes control to other UEFI applications at this level.
<b>TPL_CALLBACK</b>	Interrupts code executing below <b>TPL_CALLBACK</b> level. Long term operations (such as file system operations and disk I/O) can occur at this level.
<b>TPL_NOTIFY</b>	Interrupts code executing below <b>TPL_NOTIFY</b> level. Blocking is not allowed at this level. Code executes to completion and returns. If code requires more processing, it needs to signal an event to wait to obtain control again at whatever level it requires. This level is typically used to process low level IO to or from a device.
(Firmware Interrupts)	This level is internal to the firmware. It is the level at which internal interrupts occur. Code running at this level interrupts code running at the <b>TPL_NOTIFY</b> level (or lower levels). If the interrupt requires extended time to complete, firmware signals another event (or events) to perform the longer term operations so that other interrupts can occur.
<b>TPL_HIGH_LEVEL</b>	Interrupts code executing below <b>TPL_HIGH_LEVEL</b> . This is the highest priority level. It is not interruptible (interrupts are disabled) and is used sparingly by firmware to synchronize operations that need to be accessible from any priority level. For example, it must be possible to signal events while executing at any priority level. Therefore, firmware manipulates the internal event structure while at this priority level.

Executing code can temporarily raise its priority level by calling the **RaiseTPL()** function. Doing this masks event notifications from code running at equal or lower priority levels until the **RestoreTPL()** function is called to reduce the priority to a level below that of the pending event notifications. There are restrictions on the TPL levels at which many UEFI service functions and protocol interface functions can execute. Table 19 summarizes the restrictions.

**Table 19. TPL Restrictions**

<b>Name</b>	<b>Restriction</b>	<b>Task Priority Level</b>
Protocol Interface Functions	<=	<b>TPL_NOTIIFY</b>
Block I/O Protocol	<=	<b>TPL_CALLBACK</b>
CheckEvent()	<	<b>TPL_HIGH_LEVEL</b>
CloseEvent()	<	<b>TPL_HIGH_LEVEL</b>
CreateEvent()	<	<b>TPL_HIGH_LEVEL</b>
Disk I/O Protocol	<=	<b>TPL_CALLBACK</b>
Event Notification Levels	> <=	<b>TPL_APPLICATION</b> <b>TPL_HIGH_LEVEL</b>
Exit()	<=	<b>TPL_CALLBACK</b>
ExitBootServices()	=	<b>TPL_APPLICATION</b>
LoadImage()	<	<b>TPL_CALLBACK</b>
Memory Allocation Services	<=	<b>TPL_NOTIFY</b>
PXE Base Code Protocol	<=	<b>TPL_CALLBACK</b>
Serial I/O Protocol	<=	<b>TPL_CALLBACK</b>
SetTimer()	<	<b>TPL_HIGH_LEVEL</b>
SignalEvent()	<=	<b>TPL_HIGH_LEVEL</b>
Simple File System Protocol	<=	<b>TPL_CALLBACK</b>
Simple Input Protocol	<=	<b>TPL_APPLICATION</b>
Simple Network Protocol	<=	<b>TPL_CALLBACK</b>
Simple Text Output Protocol	<=	<b>TPL_NOTIFY</b>
StartImage()	<	<b>TPL_CALLBACK</b>
Time Services	<=	<b>TPL_CALLBACK</b>
UnloadImage()	<=	<b>TPL_CALLBACK</b>
Variable Services	<=	<b>TPL_CALLBACK</b>
WaitForEvent()	=	<b>TPL_APPLICATION</b>
Authentication Info	<=	<b>TPL_NOTIFY</b>
Device Path Utilities	<=	<b>TPL_NOTIFY</b>
Device Path From Text	<=	<b>TPL_NOTIFY</b>
EDID Discovered	<=	<b>TPL_NOTIFY</b>
EDID Active	<=	<b>TPL_NOTIFY</b>
Graphics Output EDID Override	<=	<b>TPL_NOTIFY</b>
iSCSI Initiator Name	<=	<b>TPL_NOTIFY</b>
Tape IO	<=	<b>TPL_NOTIFY</b>
Managed Network Service Binding	<=	<b>TPL_CALLBACK</b>
ARP Service Binding	<=	<b>TPL_CALLBACK</b>
ARP	<=	<b>TPL_CALLBACK</b>
DHCP4 Service Binding	<=	<b>TPL_CALLBACK</b>

<b>Name</b>	<b>Restriction</b>	<b>Task Priority Level</b>
DHCP4	<=	TPL_CALLBACK
TCP4 Service Binding	<=	TPL_CALLBACK
TCP4	<=	TPL_CALLBACK
IP4 Service Binding	<=	TPL_CALLBACK
IP4	<=	TPL_CALLBACK
IP4 Config	<=	TPL_CALLBACK
UDP4 Service Binding	<=	TPL_CALLBACK
UDP4	<=	TPL_CALLBACK
MTFTP4 Service Binding	<=	TPL_CALLBACK
MTFTP4	<=	TPL_CALLBACK

## CreateEvent()

### Summary

Creates an event.

### Prototype

```
typedef
EFI_STATUS
CreateEvent (
    IN UINT32
    IN EFI_TPL
    IN EFI_EVENT_NOTIFY
    IN VOID
    OUT EFI_EVENT
    Type,
    NotifyTpl,
    NotifyFunction, OPTIONAL
    *NotifyContext, OPTIONAL
    *Event
);
```

### Parameters

<i>Type</i>	The type of event to create and its mode and attributes. The <b>#define</b> statements in “Related Definitions” can be used to specify an event’s mode and attributes.
<i>NotifyTpl</i>	The task priority level of event notifications, if needed. See <b><u>RaiseTPL()</u></b> .
<i>NotifyFunction</i>	Pointer to the event’s notification function, if any. See “Related Definitions.”
<i>NotifyContext</i>	Pointer to the notification function’s context; corresponds to parameter <i>Context</i> in the notification function.
<i>Event</i>	Pointer to the newly created event if the call succeeds; undefined otherwise.

## Related Definitions

```
//*****
// EFI_EVENT
//*****
typedef VOID      *EFI_EVENT

//*****
// Event Types
//*****
// These types can be "ORed" together as needed - for example,
// EVT_TIMER might be "ORed" with EVT_NOTIFY_WAIT or
// EVT_NOTIFY_SIGNAL.
#define EVT_TIMER                0x80000000
#define EVT_RUNTIME              0x40000000

#define EVT_NOTIFY_WAIT         0x00000100
#define EVT_NOTIFY_SIGNAL       0x00000200

#define EVT_SIGNAL_EXIT_BOOT_SERVICES 0x00000201
#define EVT_SIGNAL_VIRTUAL_ADDRESS_CHANGE 0x60000202
```

**EVT\_TIMER** The event is a timer event and may be passed to [SetTimer\(\)](#). Note that timers only function during boot services time.

**EVT\_RUNTIME** The event is allocated from runtime memory. If an event is to be signaled after the call to [ExitBootServices\(\)](#), the event's data structure and notification function need to be allocated from runtime memory. For more information, see [SetVirtualAddressMap\(\)](#) in Chapter 7.

**EVT\_NOTIFY\_WAIT** If an event of this type is not already in the signaled state, then the event's *NotificationFunction* will be queued at the event's *NotifyTpl* whenever the event is being waited on via [WaitForEvent\(\)](#) or [CheckEvent\(\)](#).

**EVT\_NOTIFY\_SIGNAL** The event's *NotifyFunction* is queued whenever the event is signaled.

**EVT\_SIGNAL\_EXIT\_BOOT\_SERVICES** This event is to be notified by the system when [ExitBootServices\(\)](#) is invoked. This event is of type **EVT\_NOTIFY\_SIGNAL** and should not be combined with any other event types. The notification function for this event is not allowed to use the Memory Allocation Services, or call any functions that use the Memory Allocation Services and should only call functions that are known not to use Memory Allocation Services, because these services modify the current memory map.



## **EVT\_SIGNAL\_VIRTUAL\_ADDRESS\_CHANGE**

The event is to be notified by the system when **SetVirtualAddressMap()** is performed. This event type is a composite of **EVT\_NOTIFY\_SIGNAL**, **EVT\_RUNTIME**, and **EVT\_RUNTIME\_CONTEXT** and should not be combined with any other event types.

```
/*******  
// EFI_EVENT_NOTIFY  
/*******  
typedef  
VOID  
(EFIAPI *EFI_EVENT_NOTIFY) (  
    IN EFI_EVENT          Event,  
    IN VOID               *Context  
);
```

*Event*                    Event whose notification function is being invoked.

*Context*                Pointer to the notification function's context, which is implementation-dependent. *Context* corresponds to *NotifyContext* in **CreateEvent()**.

## **Description**

The **CreateEvent()** function creates a new event of type *Type* and returns it in the location referenced by *Event*. The event's notification function, context, and task priority level are specified by *NotifyFunction*, *NotifyContext*, and *NotifyTpl*, respectively.

Events exist in one of two states, "waiting" or "signaled." When an event is created, firmware puts it in the "waiting" state. When the event is signaled, firmware changes its state to "signaled" and, if **EVT\_NOTIFY\_SIGNAL** is specified, places a call to its notification function in a FIFO queue. There is a queue for each of the "basic" task priority levels defined in Section 6.1 (**TPL\_CALLBACK**, and **TPL\_NOTIFY**). The functions in these queues are invoked in FIFO order, starting with the highest priority level queue and proceeding to the lowest priority queue that is unmasked by the current TPL. If the current TPL is equal to or greater than the queued notification, it will wait until the TPL is lowered via **RestoreTPL()**.

In a general sense, there are two "types" of events, synchronous and asynchronous. Asynchronous events are closely related to timers and are used to support periodic or timed interruption of program execution. This capability is typically used with device drivers. For example, a network device driver that needs to poll for the presence of new packets could create an event whose type includes **EVT\_TIMER** and then call the **SetTimer()** function. When the timer expires, the firmware signals the event.

Synchronous events have no particular relationship to timers. Instead, they are used to ensure that certain activities occur following a call to a specific interface function. One example of this is the cleanup that needs to be performed in response to a call to the **ExitBootServices()** function. **ExitBootServices()** can clean up the firmware since it understands firmware internals, but it

cannot clean up on behalf of drivers that have been loaded into the system. The drivers have to do that themselves by creating an event whose type is **EVT\_SIGNAL\_EXIT\_BOOT\_SERVICES** and whose notification function is a function within the driver itself. Then, when **ExitBootServices()** has finished its cleanup, it signals each event of type **EVT\_SIGNAL\_EXIT\_BOOT\_SERVICES**.

Another example of the use of synchronous events occurs when an event of type **EVT\_SIGNAL\_VIRTUAL\_ADDRESS\_CHANGE** is used in conjunction with the **SetVirtualAddressMap()** function in Chapter 6.

The **EVT\_NOTIFY\_WAIT** and **EVT\_NOTIFY\_SIGNAL** flags are exclusive. If neither flag is specified, the caller does not require any notification concerning the event and the *NotifyTpl*, *NotifyFunction*, and *NotifyContext* parameters are ignored. If **EVT\_NOTIFY\_WAIT** is specified and the event is not in the signaled state, then the **EVT\_NOTIFY\_WAIT** notify function is queued whenever a consumer of the event is waiting for the event (via **WaitForEvent()** or **CheckEvent()**). If the **EVT\_NOTIFY\_SIGNAL** flag is specified then the event's notify function is queued whenever the event is signaled.

## NOTE

---

*Because its internal structure is unknown to the caller, **Event** cannot be modified by the caller. The only way to manipulate it is to use the published event interfaces.*

---

## Status Codes Returned

EFI_SUCCESS	The event structure was created.
EFI_INVALID_PARAMETER	One of the parameters has an invalid value.
EFI_INVALID_PARAMETER	<i>Event</i> is <b>NULL</b> .
EFI_INVALID_PARAMETER	<i>Type</i> has an unsupported bit set.
EFI_INVALID_PARAMETER	<i>Type</i> has both <b>EVT_NOTIFY_SIGNAL</b> and <b>EVT_NOTIFY_WAIT</b> set.
EFI_INVALID_PARAMETER	<i>Type</i> has either <b>EVT_NOTIFY_SIGNAL</b> or <b>EVT_NOTIFY_WAIT</b> set and <i>NotifyFunction</i> is <b>NULL</b> .
EFI_INVALID_PARAMETER	Type has either <b>EVT_NOTIFY_SIGNAL</b> or <b>EVT_NOTIFY_WAIT</b> set and <i>NotifyTpl</i> is not a supported TPL level.
EFI_OUT_OF_RESOURCES	The event could not be allocated.

## CreateEventEx()

### Summary

Creates an event in a group.

### Prototype

```
typedef
EFI_STATUS
CreateEventEx (
    IN UINT32                Type,
    IN EFI_TPL               NotifyTpl,
    IN EFI_EVENT_NOTIFY     NotifyFunction OPTIONAL,
    IN CONST VOID           *NotifyContext OPTIONAL,
    IN CONST EFI_GUID       *EventGroup   OPTIONAL,
    OUT EFI_EVENT           *Event
);
```

### Parameters

<i>Type</i>	The type of event to create and its mode and attributes.
<i>NotifyTpl</i>	The task priority level of event notifications, if needed. See <b>RaiseTPL()</b> .
<i>NotifyFunction</i>	Pointer to the event's notification function, if any.
<i>NotifyContext</i>	Pointer to the notification function's context; corresponds to parameter <i>Context</i> in the notification function.
<i>EventGroup</i>	Pointer to the unique identifier of the group to which this event belongs. If this is <b>NULL</b> , then the function behaves as if the parameters were passed to <b>CreateEvent</b> .
<i>Event</i>	Pointer to the newly created event if the call succeeds; undefined otherwise.

### Description

The **CreateEventEx** function creates a new event of type *Type* and returns it in the specified location indicated by *Event*. The event's notification function, context and task priority are specified by *NotifyFunction*, *NotifyContext*, and *NotifyTpl*, respectively. The event will be added to the group of events identified by *EventGroup*.

If no group is specified by *EventGroup*, then this function behaves as if the same parameters had been passed to **CreateEvent**.

Event groups are collections of events identified by a shared `EFI_GUID` where, when one member event is signaled, all other events are signaled and their individual notification actions are taken (as

described in **CreateEvent**). All events are guaranteed to be signaled before the first notification action is taken. All notification functions will be executed in the order specified by their *NotifyTpl*.

A single event can only be part of a single event group. An event may be removed from an event group by using **CloseEvent**.

The *Type* of an event uses the same values as defined in **CreateEvent** except that **EVT\_SIGNAL\_EXIT\_BOOT\_SERVICES** and **EVT\_SIGNAL\_VIRTUAL\_ADDRESS\_CHANGE** are not valid.

If *Type* has **EVT\_NOTIFY\_SIGNAL** or **EVT\_NOTIFY\_WAIT**, then *NotifyFunction* must be non- **NULL** and *NotifyTpl* must be a valid task priority level. Otherwise these parameters are ignored.

More than one event of type **EVT\_TIMER** may be part of a single event group. However, there is no mechanism for determining which of the timers was signaled.

## Pre-Defined Event Groups

This section describes the pre-defined event groups used by the UEFI specification.

### *EFI\_EVENT\_GROUP\_EXIT\_BOOT\_SERVICES*

This event group is notified by the system when **ExitBootServices()** is invoked. The notification function for this event is not allowed to use the Memory Allocation Services, or call any functions that use the Memory Allocation Services, because these services modify the current memory map. This is functionally equivalent to the **EVT\_SIGNAL\_EXIT\_BOOT\_SERVICES** flag for the *Type* argument of **CreateEvent**.

### *EFI\_EVENT\_GROUP\_VIRTUAL\_ADDRESS\_CHANGE*

This event group is notified by the system when **SetVirtualAddressMap()** is invoked. This is functionally equivalent to the **EVT\_SIGNAL\_VIRTUAL\_ADDRESS\_CHANGE** flag for the *Type* argument of **CreateEvent**.

### *EFI\_EVENT\_GROUP\_MEMORY\_MAP\_CHANGE*

This event group is notified by the system when the memory map has changed. The notification function for this event should not use Memory Allocation Services to avoid reentrancy complications.

### *EFI\_EVENT\_GROUP\_READY\_TO\_BOOT*

This event group is notified by the system when the Boot Manager is about to load and execute a boot option.

## Related Definitions

**EFI\_EVENT** is defined in **CreateEvent**.

**EVT\_SIGNAL\_EXIT\_BOOT\_SERVICES** and **EVT\_SIGNAL\_VIRTUAL\_ADDRESS\_CHANGE** are defined in **CreateEvent**.

```
#define EFI_EVENT_GROUP_EXIT_BOOT_SERVICES \
    {0x27abf055, 0xb1b8, 0x4c26, 0x80, 0x48, 0x74, 0x8f, 0x37,\
     0xba, 0xa2, 0xdf}

#define EFI_EVENT_GROUP_VIRTUAL_ADDRESS_CHANGE \
    {0x13fa7698, 0xc831, 0x49c7, 0x87, 0xea, 0x8f, 0x43, 0xfc,\
     0xc2, 0x51, 0x96}

#define EFI_EVENT_GROUP_MEMORY_MAP_CHANGE \
    {0x78bee926, 0x692f, 0x48fd, 0x9e, 0xdb, 0x1, 0x42, 0x2e,\
     0xf0, 0xd7, 0xab}

#define EFI_EVENT_GROUP_READY_TO_BOOT \
    {0x7ce88fb3, 0x4bd7, 0x4679, 0x87, 0xa8, 0xa8, 0xd8, 0xde,\
     0xe5, 0xd, 0x2b}
```

## Status Codes Returned

EFI_SUCCESS	The event structure was created.
EFI_INVALID_PARAMETER	One of the parameters has an invalid value.
EFI_INVALID_PARAMETER	<i>Event</i> is <b>NULL</b> .
EFI_INVALID_PARAMETER	<i>Type</i> has an unsupported bit set.
EFI_INVALID_PARAMETER	<i>Type</i> has both <b>EVT_NOTIFY_SIGNAL</b> and <b>EVT_NOTIFY_WAIT</b> set.
EFI_INVALID_PARAMETER	<i>Type</i> has either <b>EVT_NOTIFY_SIGNAL</b> or <b>EVT_NOTIFY_WAIT</b> set and <i>NotifyFunction</i> is <b>NULL</b> .
EFI_INVALID_PARAMETER	<i>Type</i> has either <b>EVT_NOTIFY_SIGNAL</b> or <b>EVT_NOTIFY_WAIT</b> set and <i>NotifyTpl</i> is not a supported TPL level.
EFI_OUT_OF_RESOURCES	The event could not be allocated.

## CloseEvent()

### Summary

Closes an event.

### Prototype

```
typedef
EFI_STATUS
CloseEvent (
    IN EFI_EVENT    Event
);
```

### Parameters

*Event*                      The event to close. Type **EFI\_EVENT** is defined in the [CreateEvent\(\)](#) function description.

### Description

The **CloseEvent()** function removes the caller's reference to the event, removes it from any event group to which it belongs, and closes it. Once the event is closed, the event is no longer valid and may not be used on any subsequent function calls.

### Status Codes Returned

EFI_SUCCESS	The event has been closed.
-------------	----------------------------

## SignalEvent()

### Summary

Signals an event.

### Prototype

```
typedef
EFI_STATUS
SignalEvent (
    IN EFI_EVENT    Event
);
```

### Parameters

*Event*                      The event to signal. Type **EFI\_EVENT** is defined in the [CreateEvent\(\)](#) function description.

### Description

The supplied *Event* is placed in the signaled state. If *Event* is already in the signaled state, then **EFI\_SUCCESS** is returned. If *Event* is of type **EVT\_NOTIFY\_SIGNAL**, then the event's notification function is scheduled to be invoked at the event's notification task priority level. **SignalEvent()** may be invoked from any task priority level.

If the supplied *Event* is a part of an event group, then all of the events in the event group are also signaled and their notification functions are scheduled.

When signaling an event group, it is possible to create an event in the group, signal it and then close the event to remove it from the group. For example:

```
EFI_EVENT Event;
EFI_GUID gMyEventGroupGuid = EFI_MY_EVENT_GROUP_GUID;
gBS->CreateEventEx (
    0,
    0,
    NULL,
    NULL,
    &gMyEventGroupGuid,
    &Event
);

gBS->SignalEvent (Event);
gBS->CloseEvent (Event);
```

### Status Codes Returned

EFI_SUCCESS	The event was signaled.
-------------	-------------------------

## WaitForEvent()

### Summary

Stops execution until an event is signaled.

### Prototype

```
typedef
EFI_STATUS
WaitForEvent (
    IN UINTN                NumberOfEvents,
    IN EFI_EVENT            *Event,
    OUT UINTN               *Index
);
```

### Parameters

<i>NumberOfEvents</i>	The number of events in the <i>Event</i> array.
<i>Event</i>	An array of <b>EFI_EVENT</b> . Type <b>EFI_EVENT</b> is defined in the <a href="#">CreateEvent()</a> function description.
<i>Index</i>	Pointer to the index of the event which satisfied the wait condition.

### Description

This function must be called at priority level **TPL\_APPLICATION**. If an attempt is made to call it at any other priority level, **EFI\_UNSUPPORTED** is returned.

The list of events in the *Event* array are evaluated in order from first to last, and this evaluation is repeated until an event is signaled or an error is detected. The following checks are performed on each event in the *Event* array.

- If an event is of type **EVT\_NOTIFY\_SIGNAL**, then **EFI\_INVALID\_PARAMETER** is returned and *Index* indicates the event that caused the failure.
- If an event is in the signaled state, the signaled state is cleared and **EFI\_SUCCESS** is returned, and *Index* indicates the event that was signaled.
- If an event is not in the signaled state but does have a notification function, the notification function is queued at the event's notification task priority level. If the execution of the event's notification function causes the event to be signaled, then the signaled state is cleared, **EFI\_SUCCESS** is returned, and *Index* indicates the event that was signaled.

To wait for a specified time, a timer event must be included in the *Event* array.

To check if an event is signaled without waiting, an already signaled event can be used as the last event in the list being checked, or the **CheckEvent()** interface may be used.



## Status Codes Returned

EFI_SUCCESS	The event indicated by <i>Index</i> was signaled.
EFI_INVALID_PARAMETER	<i>NumberOfEvents</i> is 0.
EFI_INVALID_PARAMETER	The event indicated by <i>Index</i> is of type <b>EVT_NOTIFY_SIGNAL</b> .
EFI_UNSUPPORTED	The current TPL is not <b><u>TPL_APPLICATION</u></b> .

## CheckEvent()

### Summary

Checks whether an event is in the signaled state.

### Prototype

```
typedef
EFI_STATUS
CheckEvent (
    IN EFI_EVENT    Event
);
```

### Parameters

*Event*                      The event to check. Type **EFI\_EVENT** is defined in the [CreateEvent\(\)](#) function description.

### Description

The **CheckEvent()** function checks to see whether *Event* is in the signaled state. If *Event* is of type **EVT\_NOTIFY\_SIGNAL**, then **EFI\_INVALID\_PARAMETER** is returned. Otherwise, there are three possibilities:

1. If *Event* is in the signaled state, it is cleared and **EFI\_SUCCESS** is returned.
2. If *Event* is not in the signaled state and has no notification function, **EFI\_NOT\_READY** is returned.
3. If *Event* is not in the signaled state but does have a notification function, the notification function is queued at the event's notification task priority level. If the execution of the notification function causes *Event* to be signaled, then the signaled state is cleared and **EFI\_SUCCESS** is returned; if the *Event* is not signaled, then **EFI\_NOT\_READY** is returned.

### Status Codes Returned

EFI_SUCCESS	The event is in the signaled state.
EFI_NOT_READY	The event is not in the signaled state.
EFI_INVALID_PARAMETER	<i>Event</i> is of type EVT_NOTIFY_SIGNAL.

## SetTimer()

### Summary

Sets the type of timer and the trigger time for a timer event.

### Prototype

```
typedef
EFI_STATUS
SetTimer (
    IN EFI_EVENT          Event,
    IN EFI_TIMER_DELAY    Type,
    IN UINT64             TriggerTime
);
```

### Parameters

<i>Event</i>	The timer event that is to be signaled at the specified time. Type <b>EFI_EVENT</b> is defined in the <a href="#">CreateEvent()</a> function description.
<i>Type</i>	The type of time that is specified in <i>TriggerTime</i> . See the timer delay types in “Related Definitions.”
<i>TriggerTime</i>	The number of 100ns units until the timer expires. A <i>TriggerTime</i> of 0 is legal. If <i>Type</i> is <b>TimerRelative</b> and <i>TriggerTime</i> is 0, then the timer event will be signaled on the next timer tick. If <i>Type</i> is <b>TimerPeriodic</b> and <i>TriggerTime</i> is 0, then the timer event will be signaled on every timer tick.

### Related Definitions

```
/*******
//EFI_TIMER_DELAY
//*****
typedef enum {
    TimerCancel,
    TimerPeriodic,
    TimerRelative
} EFI_TIMER_DELAY;
```

<b>TimerCancel</b>	The event’s timer setting is to be cancelled and no timer trigger is to be set. <i>TriggerTime</i> is ignored when canceling a timer.
--------------------	---

**TimerPeriodic** The event is to be signaled periodically at *TriggerTime* intervals from the current time. This is the only timer trigger *Type* for which the event timer does not need to be reset for each notification. All other timer trigger types are “one shot.”

**TimerRelative** The event is to be signaled in *TriggerTime* 100ns units.

## Description

The **SetTimer()** function cancels any previous time trigger setting for the event, and sets the new trigger time for the event. This function can only be used on events of type **EVT\_TIMER**.

## Status Codes Returned

EFI_SUCCESS	The event has been set to be signaled at the requested time.
EFI_INVALID_PARAMETER	<i>Event</i> or <i>Type</i> is not valid.

## RaiseTPL()

### Summary

Raises a task's priority level and returns its previous level.

### Prototype

```
typedef
EFI_TPL
RaiseTPL (
    IN EFI_TPL NewTpl
);
```

### Parameters

*NewTpl*                      The new task priority level. It must be greater than or equal to the current task priority level. See “Related Definitions.”

### Related Definitions

```
/*******
// EFI_TPL
/*******
typedef UINTN    EFI_TPL

/*******
// Task Priority Levels
/*******
#define TPL_APPLICATION        4
#define TPL_CALLBACK           8
#define TPL_NOTIFY            16
#define TPL_HIGH_LEVEL        31
```

## Description

The **RaiseTPL()** function raises the priority of the currently executing task and returns its previous priority level.

Only three task priority levels are exposed outside of the firmware during boot services execution. The first is **TPL\_APPLICATION** where all normal execution occurs. That level may be interrupted to perform various asynchronous interrupt style notifications, which occur at the **TPL\_CALLBACK** or **TPL\_NOTIFY** level. By raising the task priority level to **TPL\_NOTIFY** such notifications are masked until the task priority level is restored, thereby synchronizing execution with such notifications. Synchronous blocking I/O functions execute at **TPL\_NOTIFY**. **TPL\_CALLBACK** is the typically used for application level notification functions. Device drivers will typically use **TPL\_CALLBACK** or **TPL\_NOTIFY** for their notification functions. Applications and drivers may also use **TPL\_NOTIFY** to protect data structures in critical sections of code.

The caller must restore the task priority level with **RestoreTPL()** to the previous level before returning.

## NOTE

---

*If `NewTpl` is below the current TPL level, then the system behavior is indeterminate. Additionally, only **TPL\_APPLICATION**, **TPL\_CALLBACK**, **TPL\_NOTIFY**, and **TPL\_HIGH\_LEVEL** may be used. All other values are reserved for use by the firmware; using them will result in unpredictable behavior. Good coding practice dictates that all code should execute at its lowest possible TPL level, and the use of TPL levels above **TPL\_APPLICATION** must be minimized. Executing at TPL levels above **TPL\_APPLICATION** for extended periods of time may also result in unpredictable behavior.*

---

## Status Codes Returned

Unlike other UEFI interface functions, **RaiseTPL()** does not return a status code. Instead, it returns the previous task priority level, which is to be restored later with a matching call to **RestoreTPL()**.

## RestoreTPL()

### Summary

Restores a task's priority level to its previous value.

### Prototype

```
typedef
VOID
RestoreTPL (
    IN EFI_TPL OldTpl
)
```

### Parameters

*OldTpl* The previous task priority level to restore (the value from a previous, matching call to [RaiseTPL\(\)](#)). Type **EFI\_TPL** is defined in the [RaiseTPL\(\)](#) function description.

### Description

The **RestoreTPL()** function restores a task's priority level to its previous value. Calls to **RestoreTPL()** are matched with calls to [RaiseTPL\(\)](#).

### NOTE

---

*If **OldTpl** is above the current TPL level, then the system behavior is indeterminate. Additionally, only **TPL\_APPLICATION**, **TPL\_CALLBACK**, **TPL\_NOTIFY**, and **TPL\_HIGH\_LEVEL** may be used. All other values are reserved for use by the firmware; using them will result in unpredictable behavior. Good coding practice dictates that all code should execute at its lowest possible TPL level, and the use of TPL levels above **TPL\_APPLICATION** must be minimized. Executing at TPL levels above **TPL\_APPLICATION** for extended periods of time may also result in unpredictable behavior.*

---

### Status Codes Returned

None.

## 6.2 Memory Allocation Services

The functions that make up Memory Allocation Services are used during preboot to allocate and free memory, and to obtain the system's memory map. See Table 20.

**Table 20. Memory Allocation Functions**

Name	Type	Description
AllocatePages	Boot	Allocates pages of a particular type.
FreePages	Boot	Frees allocated pages.
GetMemoryMap	Boot	Returns the current boot services memory map and memory map key.
AllocatePool	Boot	Allocates a pool of a particular type.
FreePool	Boot	Frees allocated pool.

The way in which these functions are used is directly related to an important feature of UEFI memory design. This feature, which stipulates that EFI firmware owns the system's memory map during preboot, has three major consequences:

1. During preboot, all components (including executing EFI images) must cooperate with the firmware by allocating and freeing memory from the system with the functions **AllocatePages ()**, **AllocatePool ()**, **FreePages ()**, and **FreePool ()**. The firmware dynamically maintains the memory map as these functions are called.
2. During preboot, an executing EFI Image must only use the memory it has allocated.
3. Before an executing EFI image exits and returns control to the firmware, it must free all resources it has explicitly allocated. This includes all memory pages, pool allocations, open file handles, etc. Memory allocated by the firmware to load an image is freed by the firmware when the image is unloaded.

When memory is allocated, it is “typed” according to the values in **EFI\_MEMORY\_TYPE** (see the description for **AllocatePages ()**). Some of the types have a different usage *before* **ExitBootServices ()** is called than they do *afterwards*. Table 21 lists each type and its usage before the call; Table 22 lists each type and its usage after the call. The system firmware must follow the processor-specific rules outlined in Sections 2.3.2 and 2.3.4 in the layout of the EFI memory map to enable the OS to make the required virtual mappings.



**Table 21. Memory Type Usage before `ExitBootServices ()`**

<b>Mnemonic</b>	<b>Description</b>
<code>EfiReservedMemoryType</code>	Not used.
<code>EfiLoaderCode</code>	The code portions of a loaded application. (Note that UEFI OS loaders are UEFI applications.)
<code>EfiLoaderData</code>	The data portions of a loaded application and the default data allocation type used by an application to allocate pool memory.
<code>EfiBootServicesCode</code>	The code portions of a loaded Boot Services Driver.
<code>EfiBootServicesData</code>	The data portions of a loaded Boot Services Driver, and the default data allocation type used by a Boot Services Driver to allocate pool memory.
<code>EfiRuntimeServicesCode</code>	The code portions of a loaded Runtime Services Driver.
<code>EfiRuntimeServicesData</code>	The data portions of a loaded Runtime Services Driver and the default data allocation type used by a Runtime Services Driver to allocate pool memory.
<code>EfiConventionalMemory</code>	Free (unallocated) memory.
<code>EfiUnusableMemory</code>	Memory in which errors have been detected.
<code>EfiACPIReclaimMemory</code>	Memory that holds the ACPI tables.
<code>EfiACPIMemoryNVS</code>	Address space reserved for use by the firmware.
<code>EfiMemoryMappedIO</code>	Used by system firmware to request that a memory-mapped IO region be mapped by the OS to a virtual address so it can be accessed by EFI runtime services.
<code>EfiMemoryMappedIoPortSpace</code>	System memory-mapped IO region that is used to translate memory cycles to IO cycles by the processor.
<code>EfiPalCode</code>	Address space reserved by the firmware for code that is part of the processor.

**NOTE**

---

*There is only one region of type `EfiMemoryMappedIoPortSpace` defined in the architecture for Itanium-based platforms. As a result, there should be one and only one region of type `EfiMemoryMappedIoPortSpace` in the EFI memory map of an Itanium-based platform.*

---

**Table 22. Memory Type Usage after `ExitBootServices ()`**

Mnemonic	Description
<code>EfiReservedMemoryType</code>	Not used.
<code>EfiLoaderCode</code>	The Loader and/or OS may use this memory as they see fit. Note: the OS loader that called <code>ExitBootServices ()</code> is utilizing one or more <code>EfiLoaderCode</code> ranges.
<code>EfiLoaderData</code>	The Loader and/or OS may use this memory as they see fit. Note: the OS loader that called <code>ExitBootServices ()</code> is utilizing one or more <code>EfiLoaderData</code> ranges.
<code>EfiBootServicesCode</code>	Memory available for general use.
<code>EfiBootServicesData</code>	Memory available for general use.
<code>EfiRuntimeServicesCode</code>	The memory in this range is to be preserved by the loader and OS in the working and ACPI S1–S3 states.
<code>EfiRuntimeServicesData</code>	The memory in this range is to be preserved by the loader and OS in the working and ACPI S1–S3 states.
<code>EfiConventionalMemory</code>	Memory available for general use.
<code>EfiUnusableMemory</code>	Memory that contains errors and is not to be used.
<code>EfiACPIReclaimMemory</code>	This memory is to be preserved by the loader and OS until ACPI is enabled. Once ACPI is enabled, the memory in this range is available for general use.
<code>EfiACPIMemoryNVS</code>	This memory is to be preserved by the loader and OS in the working and ACPI S1–S3 states.
<code>EfiMemoryMappedIO</code>	This memory is not used by the OS. All system memory-mapped IO information should come from ACPI tables.
<code>EfiMemoryMappedIOPortSpace</code>	This memory is not used by the OS. All system memory-mapped IO port space information should come from ACPI tables.
<code>EfiPalCode</code>	This memory is to be preserved by the loader and OS in the working and ACPI S1–S3 states. This memory may also have other attributes that are defined by the processor implementation.

**NOTE**


---

An image that calls `ExitBootServices()` first calls `GetMemoryMap ()` to obtain the current memory map. Following the `ExitBootServices()` call, the image implicitly owns all unused memory in the map. This includes memory types `EfiLoaderCode`, `EfiLoaderData`, `EfiBootServicesCode`, `EfiBootServicesData`, and `EfiConventionalMemory`. An EFI-compatible loader and operating system must preserve the memory marked as `EfiRuntimeServicesCode` and `EfiRuntimeServicesData`.

---

## AllocatePages()

### Summary

Allocates memory pages from the system.

### Prototype

```
typedef
EFI_STATUS
AllocatePages (
    IN EFI_ALLOCATE_TYPE           Type,
    IN EFI_MEMORY_TYPE            MemoryType,
    IN UINTN                       Pages,
    IN OUT EFI_PHYSICAL_ADDRESS *Memory
);
```

### Parameters

<i>Type</i>	The type of allocation to perform. See “Related Definitions.”
<i>MemoryType</i>	The type of memory to allocate. The type <b>EFI_MEMORY_TYPE</b> is defined in “Related Definitions” below. These memory types are also described in more detail in Table 21 and Table 22. Normal allocations (that is, allocations by any UEFI application) are of type <b>EfiLoaderData</b> . <i>MemoryType</i> values in the range 0x80000000..0xFFFFFFFF are reserved for use by UEFI OS loaders that are provided by operating system vendors. The only illegal memory type values are those in the range <b>EfiMaxMemoryType</b> ..0x7FFFFFFF.
<i>Pages</i>	The number of contiguous 4 KB pages to allocate.
<i>Memory</i>	Pointer to a physical address. On input, the way in which the address is used depends on the value of <i>Type</i> . See “Description” for more information. On output the address is set to the base of the page range that was allocated. See “Related Definitions.”

## Related Definitions

```

//*****
//EFI_ALLOCATE_TYPE
//*****
// These types are discussed in the "Description" section below.
typedef enum {
    AllocateAnyPages,
    AllocateMaxAddress,
    AllocateAddress,
    MaxAllocateType
} EFI_ALLOCATE_TYPE;

//*****
//EFI_MEMORY_TYPE
//*****
// These type values are discussed in Table 21 and Table 22.
typedef enum {
    EfiReservedMemoryType,
    EfiLoaderCode,
    EfiLoaderData,
    EfiBootServicesCode,
    EfiBootServicesData,
    EfiRuntimeServicesCode,
    EfiRuntimeServicesData,
    EfiConventionalMemory,
    EfiUnusableMemory,
    EfiACPIReclaimMemory,
    EfiACPIMemoryNVS,
    EfiMemoryMappedIO,
    EfiMemoryMappedIOPortSpace,
    EfiPalCode,
    EfiMaxMemoryType
} EFI_MEMORY_TYPE;

//*****
//EFI_PHYSICAL_ADDRESS
//*****
typedef UINT64          EFI_PHYSICAL_ADDRESS;

```

## Description

The **AllocatePages ()** function allocates the requested number of pages and returns a pointer to the base address of the page range in the location referenced by *Memory*. The function scans the memory map to locate free pages. When it finds a physically contiguous block of pages that is large enough and also satisfies the allocation requirements of *Type*, it changes the memory map to indicate that the pages are now of type *MemoryType*.

In general, UEFI OS loaders and applications should allocate memory (and pool) of type **EfiLoaderData**. Boot service drivers must allocate memory (and pool) of type **EfiBootServicesData**. Runtime drivers should allocate memory (and pool) of type **EfiRuntimeServicesData** (although such allocation can only be made during boot services time).

Allocation requests of *Type* **AllocateAnyPages** allocate any available range of pages that satisfies the request. On input, the address pointed to by *Memory* is ignored.

Allocation requests of *Type* **AllocateMaxAddress** allocate any available range of pages whose uppermost address is less than or equal to the address pointed to by *Memory* on input.

Allocation requests of *Type* **AllocateAddress** allocate pages at the address pointed to by *Memory* on input.

## Status Codes Returned

EFI_SUCCESS	The requested pages were allocated.
EFI_OUT_OF_RESOURCES	The pages could not be allocated.
EFI_INVALID_PARAMETER	<i>Type</i> is not <b>AllocateAnyPages</b> or <b>AllocateMaxAddress</b> or <b>AllocateAddress</b> .
EFI_INVALID_PARAMETER	<i>MemoryType</i> is in the range <b>EfiMaxMemoryType</b> ..0x7FFFFFFF.
EFI_NOT_FOUND	The requested pages could not be found.

## FreePages()

### Summary

Frees memory pages.

### Prototype

```
typedef
EFI_STATUS
FreePages (
    IN EFI_PHYSICAL_ADDRESS  Memory,
    IN UINTN                 Pages
);
```

### Parameters

*Memory* The base physical address of the pages to be freed. Type **EFI\_PHYSICAL\_ADDRESS** is defined in the [AllocatePages \(\)](#) function description.

*Pages* The number of contiguous 4 KB pages to free.

### Description

The **FreePages ()** function returns memory allocated by **AllocatePages ()** to the firmware.

### Status Codes Returned

EFI_SUCCESS	The requested memory pages were freed.
EFI_NOT_FOUND	The requested memory pages were not allocated with <b>AllocatePages ()</b> .
EFI_INVALID_PARAMETER	<i>Memory</i> is not a page-aligned address or <i>Pages</i> is invalid.

## GetMemoryMap()

### Summary

Returns the current memory map.

### Prototype

```
typedef
EFI_STATUS
GetMemoryMap (
    IN OUT UINTN                *MemoryMapSize,
    IN OUT EFI_MEMORY_DESCRIPTOR *MemoryMap,
    OUT UINTN                   *MapKey,
    OUT UINTN                   *DescriptorSize,
    OUT UINT32                  *DescriptorVersion
);
```

### Parameters

- MemoryMapSize* A pointer to the size, in bytes, of the *MemoryMap* buffer. On input, this is the size of the buffer allocated by the caller. On output, it is the size of the buffer returned by the firmware if the buffer was large enough, or the size of the buffer needed to contain the map if the buffer was too small.
- MemoryMap* A pointer to the buffer in which firmware places the current memory map. The map is an array of **EFI\_MEMORY\_DESCRIPTOR**s. See “Related Definitions.”
- MapKey* A pointer to the location in which firmware returns the key for the current memory map.
- DescriptorSize* A pointer to the location in which firmware returns the size, in bytes, of an individual **EFI\_MEMORY\_DESCRIPTOR**.
- DescriptorVersion* A pointer to the location in which firmware returns the version number associated with the **EFI\_MEMORY\_DESCRIPTOR**. See “Related Definitions.”

## Related Definitions

```
/**
//*****
//EFI_MEMORY_DESCRIPTOR
//*****
typedef struct {
UINT32                Type;
EFI_PHYSICAL_ADDRESS  PhysicalStart;
EFI_VIRTUAL_ADDRESS   VirtualStart;
UINT64                NumberOfPages;
UINT64                Attribute;
} EFI_MEMORY_DESCRIPTOR;
```

*Type* Type of the memory region. Type **EFI\_MEMORY\_TYPE** is defined in the **AllocatePages()** function description.

*PhysicalStart* Physical address of the first byte in the memory region. Physical start must be aligned on a 4 KB boundary. Type **EFI\_PHYSICAL\_ADDRESS** is defined in the **AllocatePages()** function description.

*VirtualStart* Virtual address of the first byte in the memory region. Virtual start must be aligned on a 4 KB boundary. Type **EFI\_VIRTUAL\_ADDRESS** is defined in “Related Definitions.”

*NumberOfPages* Number of 4 KB pages in the memory region.

*Attribute* Attributes of the memory region that describe the bit mask of capabilities for that memory region, and not necessarily the current settings for that memory region. See the following “Memory Attribute Definitions.”

```
/**
//*****
// Memory Attribute Definitions
//*****
// These types can be “ORed” together as needed.
#define EFI_MEMORY_UC                0x0000000000000001
#define EFI_MEMORY_WC                0x0000000000000002
#define EFI_MEMORY_WT                0x0000000000000004
#define EFI_MEMORY_WB                0x0000000000000008
#define EFI_MEMORY_UCE               0x0000000000000010
#define EFI_MEMORY_WP                0x0000000000001000
#define EFI_MEMORY_RP                0x0000000000002000
#define EFI_MEMORY_XP                0x0000000000004000
#define EFI_MEMORY_RUNTIME           0x8000000000000000
```



<b>EFI_MEMORY_UC</b>	Memory cacheability attribute: The memory region supports being configured as not cacheable.
<b>EFI_MEMORY_WC</b>	Memory cacheability attribute: The memory region supports being configured as write combining.
<b>EFI_MEMORY_WT</b>	Memory cacheability attribute: The memory region supports being configured as cacheable with a “write through” policy. Writes that hit in the cache will also be written to main memory.
<b>EFI_MEMORY_WB</b>	Memory cacheability attribute: The memory region supports being configured as cacheable with a “write back” policy. Reads and writes that hit in the cache do not propagate to main memory. Dirty data is written back to main memory when a new cache line is allocated.
<b>EFI_MEMORY_UCE</b>	Memory cacheability attribute: The memory region supports being configured as not cacheable, exported, and supports the “fetch and add” semaphore mechanism.
<b>EFI_MEMORY_WP</b>	Physical memory protection attribute: The memory region supports being configured as write-protected by system hardware.
<b>EFI_MEMORY_RP</b>	Physical memory protection attribute: The memory region supports being configured as read-protected by system hardware.
<b>EFI_MEMORY_XP</b>	Physical memory protection attribute: The memory region supports being configured so it is protected by system hardware from executing code.
<b>EFI_MEMORY_RUNTIME</b>	Runtime memory attribute: The memory region needs to be given a virtual mapping by the operating system when <u><a href="#">SetVirtualAddressMap()</a></u> is called (described in Chapter 7.3).

```

//*****
//EFI_VIRTUAL_ADDRESS
//*****
typedef UINT64          EFI_VIRTUAL_ADDRESS;

//*****
// Memory Descriptor Version Number
//*****
#define EFI_MEMORY_DESCRIPTOR_VERSION  1

```

## Description

The **GetMemoryMap ()** function returns a copy of the current memory map. The map is an array of memory descriptors, each of which describes a contiguous block of memory. The map describes all of memory, no matter how it is being used. That is, it includes blocks allocated by **AllocatePages ()** and **AllocatePool ()**, as well as blocks that the firmware is using for its own purposes. The memory map is only used to describe memory that is present in the system. Memory descriptors are never used to describe holes in the system memory map.

Until **ExitBootServices ()** is called, the memory map is owned by the firmware and the currently executing EFI Image should only use memory pages it has explicitly allocated.

If the *MemoryMap* buffer is too small, the **EFI\_BUFFER\_TOO\_SMALL** error code is returned and the *MemoryMapSize* value contains the size of the buffer needed to contain the current memory map.

On success a *MapKey* is returned that identifies the current memory map. The firmware's key is changed every time something in the memory map changes. In order to successfully invoke **ExitBootServices ()** the caller must provide the current memory map key.

The **GetMemoryMap ()** function also returns the size and revision number of the **EFI\_MEMORY\_DESCRIPTOR**. The *DescriptorSize* represents the size in bytes of an **EFI\_MEMORY\_DESCRIPTOR** array element returned in *MemoryMap*. The size is returned to allow for future expansion of the **EFI\_MEMORY\_DESCRIPTOR** in response to hardware innovation. The structure of the **EFI\_MEMORY\_DESCRIPTOR** may be extended in the future but it will remain backwards compatible with the current definition. Thus OS software must use the *DescriptorSize* to find the start of each **EFI\_MEMORY\_DESCRIPTOR** in the *MemoryMap* array.

## Status Codes Returned

EFI_SUCCESS	The memory map was returned in the <i>MemoryMap</i> buffer.
EFI_BUFFER_TOO_SMALL	The <i>MemoryMap</i> buffer was too small. The current buffer size needed to hold the memory map is returned in <i>MemoryMapSize</i> .
EFI_INVALID_PARAMETER	<i>MemoryMapSize</i> is <b>NULL</b> .
EFI_INVALID_PARAMETER	The <i>MemoryMap</i> buffer is not too small and <i>MemoryMap</i> is <b>NULL</b> .

## AllocatePool()

### Summary

Allocates pool memory.

### Prototype

```
typedef
EFI_STATUS
AllocatePool (
    IN EFI_MEMORY_TYPE      PoolType,
    IN UINTN                 Size,
    OUT VOID                 **Buffer
);
```

### Parameters

<i>PoolType</i>	The type of pool to allocate. Type <b>EFI_MEMORY_TYPE</b> is defined in the <a href="#">AllocatePages ()</a> function description. <i>PoolType</i> values in the range 0x80000000..0xFFFFFFFF are reserved for use by UEFI OS loaders that are provided by operating system vendors. The only illegal memory type values are those in the range <b>EfiMaxMemoryType</b> ..0x7FFFFFFF.
<i>Size</i>	The number of bytes to allocate from the pool.
<i>Buffer</i>	A pointer to a pointer to the allocated buffer if the call succeeds; undefined otherwise.

### Description

The **AllocatePool ()** function allocates a memory region of *Size* bytes from memory of type *PoolType* and returns the address of the allocated memory in the location referenced by *Buffer*. This function allocates pages from **EfiConventionalMemory** as needed to grow the requested pool type. All allocations are eight-byte aligned.

The allocated pool memory is returned to the available pool with the [FreePool \(\)](#) function.

### Status Codes Returned

EFI_SUCCESS	The requested number of bytes was allocated.
EFI_OUT_OF_RESOURCES	The pool requested could not be allocated.
EFI_INVALID_PARAMETER	<i>PoolType</i> was invalid.

## FreePool()

### Summary

Returns pool memory to the system.

### Prototype

```
typedef
EFI_STATUS
FreePool (
    IN VOID    *Buffer
);
```

### Parameters

*Buffer*                      Pointer to the buffer to free.

### Description

The **FreePool()** function returns the memory specified by *Buffer* to the system. On return, the memory's type is **EfiConventionalMemory**. The *Buffer* that is freed must have been allocated by **AllocatePool()**.

### Status Codes Returned

EFI_SUCCESS	The memory was returned to the system.
EFI_INVALID_PARAMETER	<i>Buffer</i> was invalid.

## 6.3 Protocol Handler Services

In the abstract, a protocol consists of a 128-bit globally unique identifier (GUID) and a Protocol Interface structure. The structure contains the functions and instance data that are used to access a device. The functions that make up Protocol Handler Services allow applications to install a protocol on a handle, identify the handles that support a given protocol, determine whether a handle supports a given protocol, and so forth. See Table 23.

**Table 23. Protocol Interface Functions**

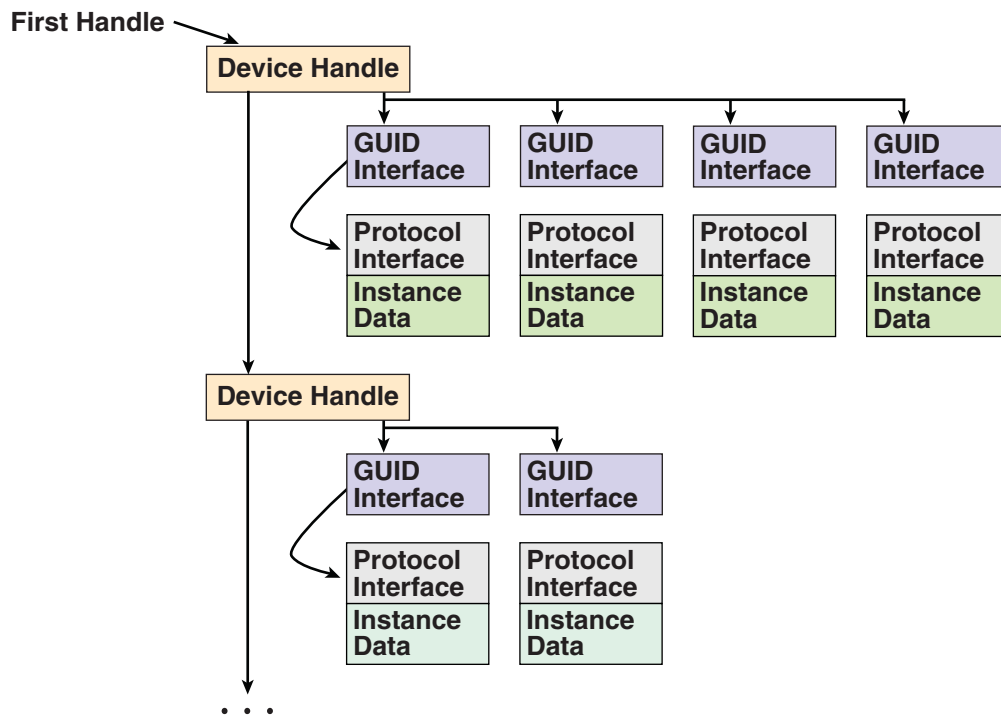
Name	Type	Description
InstallProtocolInterface	Boot	Installs a protocol interface on a device handle.
UninstallProtocolInterface	Boot	Removes a protocol interface from a device handle.
ReinstallProtocolInterface	Boot	Reinstalls a protocol interface on a device handle.
RegisterProtocolNotify	Boot	Registers an event that is to be signaled whenever an interface is installed for a specified protocol.
LocateHandle	Boot	Returns an array of handles that support a specified protocol.
HandleProtocol	Boot	Queries a handle to determine if it supports a specified protocol.
LocateDevicePath	Boot	Locates all devices on a device path that support a specified protocol and returns the handle to the device that is closest to the path.
OpenProtocol	Boot	Adds elements to the list of agents consuming a protocol interface.
CloseProtocol	Boot	Removes elements from the list of agents consuming a protocol interface.
OpenProtocolInformation	Boot	Retrieve the list of agents that are currently consuming a protocol interface.
ConnectController	Boot	Uses a set of precedence rules to find the best set of drivers to manage a controller.
DisconnectController	Boot	Informs a set of drivers to stop managing a controller.
ProtocolsPerHandle	Boot	Retrieves the list of protocols installed on a handle. The return buffer is automatically allocated.
LocateHandleBuffer	Boot	Retrieves the list of handles from the handle database that meet the search criteria. The return buffer is automatically allocated.
LocateProtocol	Boot	Finds the first handle in the handle database the supports the requested protocol.
InstallMultipleProtocolInterfaces	Boot	Installs one or more protocol interfaces onto a handle.
UninstallMultipleProtocolInterfaces	Boot	Uninstalls one or more protocol interfaces from a handle.

The Protocol Handler boot services have been modified to take advantage of the information that is now being tracked with the OpenProtocol() and CloseProtocol() boot services. Since the usage of protocol interfaces is being tracked with these new boot services, it is now possible to safely uninstall and reinstall protocol interfaces that are being consumed by UEFI drivers.

As depicted in Figure 17, the firmware is responsible for maintaining a “data base” that shows which protocols are attached to each device handle. (The figure depicts the “data base” as a linked list, but the choice of data structure is implementation-dependent.) The “data base” is built dynamically by calling the InstallProtocolInterface() function. Protocols can only be installed by UEFI drivers or the firmware itself. In the figure, a device handle (**EFI\_HANDLE**) refers to a list of one or more registered protocol interfaces for that handle. The first handle in the system has four attached protocols, and the second handle has two attached protocols. Each attached protocol is represented as a GUID/Interface pointer pair. The GUID is the name of the protocol, and Interface points to a protocol instance. This data structure will typically contain a list of interface functions, and some amount of instance data.

Access to devices is initiated by calling the HandleProtocol() function, which determines whether a handle supports a given protocol. If it does, a pointer to the matching Protocol Interface structure is returned.

When a protocol is added to the system, it may either be added to an existing device handle or it may be added to create a new device handle. Figure 17 shows that protocol handlers are listed for each device handle and that each protocol handler is logically a UEFI driver.



OM13155

Figure 17. Device Handle to Protocol Handler Mapping

The ability to add new protocol interfaces as new handles or to layer them on existing interfaces provides great flexibility. Layering makes it possible to add a new protocol that builds on a device's basic protocols. An example of this might be to layer on a **SIMPLE TEXT OUTPUT** protocol support that would build on the handle's underlying **SERIAL IO** protocol.

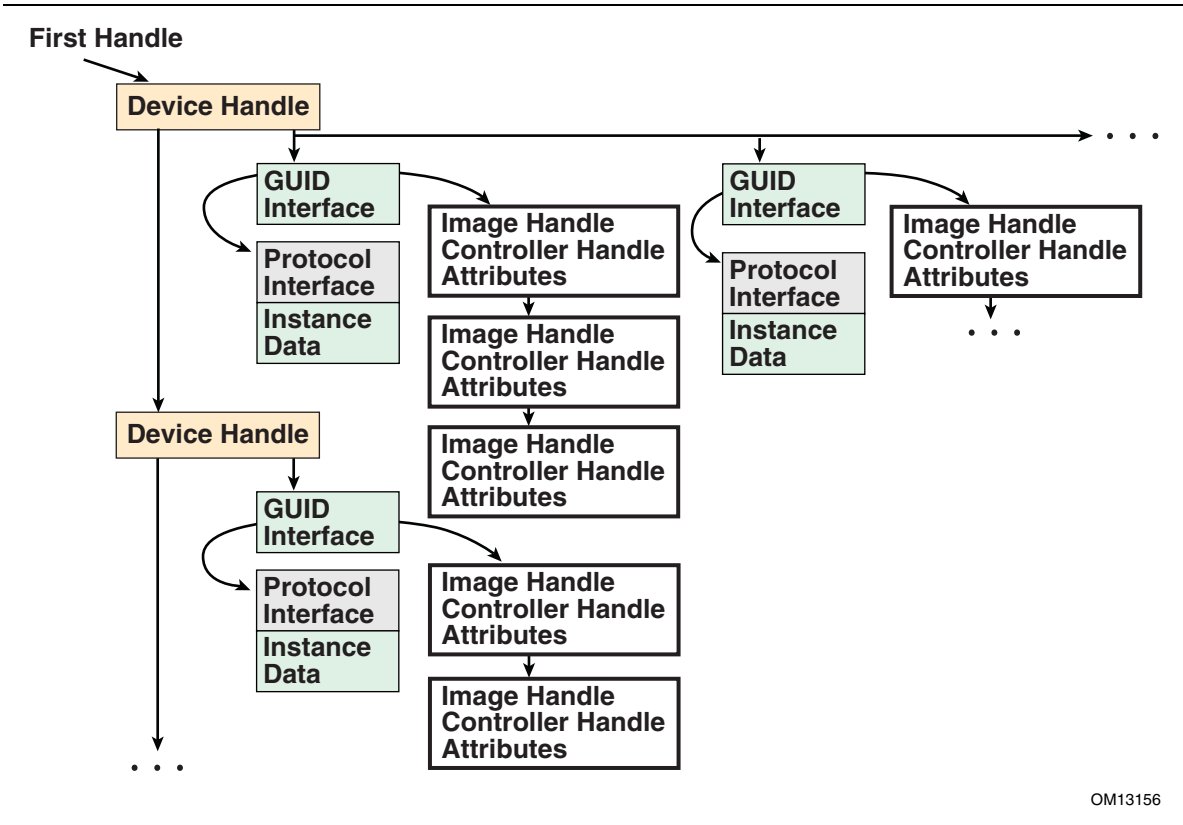
The ability to add new handles can be used to generate new devices as they are found, or even to generate abstract devices. An example of this might be to add a multiplexing device that replaces *ConsoleOut* with a virtual device that multiplexes the **SIMPLE\_TEXT\_OUTPUT** protocol onto multiple underlying device handles.

### 6.3.1 Driver Model Boot Services

This section provides a detailed description of the new UEFI boot services that are required by the UEFI *Driver Model*. These boot services are being added to reduce the size and complexity of the bus drivers and device drivers. This, in turn, will reduce the amount of ROM space required by drivers that are programmed into ROMs on adapters or into system FLASH, and reduce the development and testing time required by driver writers.

These new services fall into two categories. The first group is used to track the usage of protocol interfaces by different agents in the system. Protocol interfaces are stored in a handle database. The handle database consists of a list of handles, and on each handle there is a list of one or more protocol interfaces. The boot services **InstallProtocolInterface ()**, **UninstallProtocolInterface ()**, and **ReinstallProtocolInterface ()** are used to add, remove, and replace protocol interfaces in the handle database. The boot service **HandleProtocol ()** is used to look up a protocol interface in the handle database. However, agents that call **HandleProtocol ()** are not tracked, so it is not safe to call **UninstallProtocolInterface ()** or **ReinstallProtocolInterface ()** because an agent may be using the protocol interface that is being removed or replaced.

The solution is to track the usage of protocol interfaces in the handle database itself. To accomplish this, each protocol interface includes a list of agents that are consuming the protocol interface. Figure 18 shows an example handle database with these new agent lists. An agent consists of an image handle, a controller handle, and some attributes. The image handle identifies the driver or application that is consuming the protocol interface. The controller handle identifies the controller that is consuming the protocol interface. Since a driver may manage more than one controller, the combination of a driver's image handle and a controller's controller handle uniquely identifies the agent that is consuming the protocol interface. The attributes show how the protocol interface is being used.



OM13156

**Figure 18. Handle Database**

In order to maintain these agent lists in the handle database, some new boot services are required. These are **OpenProtocol()**, **CloseProtocol()**, and **OpenProtocolInformation()**. **OpenProtocol()** adds elements to the list of agents consuming a protocol interface. **CloseProtocol()** removes elements from the list of agents consuming a protocol interface, and **OpenProtocolInformation()** retrieves the entire list of agents that are currently using a protocol interface.



The second group of boot services is used to deterministically connect and disconnect drivers to controllers. The boot services in this group are **ConnectController()** and **DisconnectController()**. These services take advantage of the new features of the handle database along with the new protocols described in this document to manage the drivers and controllers present in the system. **ConnectController()** uses a set of strict precedence rules to find the best set of drivers for a controller. This provides a deterministic matching of drivers to controllers with extensibility mechanisms for OEMs, IBVs, and IHVs. **DisconnectController()** allows drivers to be disconnected from controllers in a controlled manner, and by using the new features of the handle database it is possible to fail a disconnect request because a protocol interface cannot be released at the time of the disconnect request.

The third group of boot services is designed to help simplify the implementation of drivers, and produce drivers with smaller executable footprints. The **LocateHandleBuffer()** is a new version of **LocateHandle()** that allocates the required buffer for the caller. This eliminates two calls to **LocateHandle()** and a call to **AllocatePool()** from the caller's code. **LocateProtocol()** searches the handle database for the first protocol instance that matches the search criteria. The **InstallMultipleProtocolInterfaces()** and **UninstallMultipleProtocolInterfaces()** are very useful to driver writers. These boot services allow one or more protocol interfaces to be added or removed from a handle. In addition, **InstallMultipleProtocolInterfaces()** guarantees that a duplicate device path is never added to the handle database. This is very useful to bus drivers that can create one child handle at a time, because it guarantees that the bus driver will not inadvertently create two instances of the same child handle.

## InstallProtocolInterface()

### Summary

Installs a protocol interface on a device handle. If the handle does not exist, it is created and added to the list of handles in the system. **InstallMultipleProtocolInterfaces()** performs more error checking than **InstallProtocolInterface()**, so it is recommended that **InstallMultipleProtocolInterfaces()** be used in place of **InstallProtocolInterface()**

### Prototype

```
typedef
EFI_STATUS
InstallProtocolInterface (
    IN OUT EFI_HANDLE          *Handle,
    IN EFI_GUID                *Protocol,
    IN EFI_INTERFACE_TYPE      InterfaceType,
    IN VOID                     *Interface
);
```

### Parameters

- Handle* A pointer to the **EFI\_HANDLE** on which the interface is to be installed. If *\*Handle* is **NULL** on input, a new handle is created and returned on output. If *\*Handle* is not **NULL** on input, the protocol is added to the handle, and the handle is returned unmodified. The type **EFI\_HANDLE** is defined in “Related Definitions.” If *\*Handle* is not a valid handle, then **EFI\_INVALID\_PARAMETER** is returned.
- Protocol* The numeric ID of the protocol interface. The type **EFI\_GUID** is defined in “Related Definitions.” It is the caller’s responsibility to pass in a valid GUID. See “Wired For Management Baseline” for a description of valid GUID values.
- InterfaceType* Indicates whether *Interface* is supplied in native form. This value indicates the original execution environment of the request. See “Related Definitions.”
- Interface* A pointer to the protocol interface. The *Interface* must adhere to the structure defined by *Protocol*. **NULL** can be used if a structure is not associated with *Protocol*.

## Related Definitions

```
/**
//*****
//EFI_HANDLE
//*****
typedef VOID          *EFI_HANDLE;

//*****
//EFI_GUID
//*****
typedef struct {
    UINT32  Data1;
    UINT16  Data2;
    UINT16  Data3;
    UINT8   Data4[8];
} EFI_GUID;

//*****
//EFI_INTERFACE_TYPE
//*****
typedef enum {
    EFI_NATIVE_INTERFACE
} EFI_INTERFACE_TYPE;
```

## Description

The **InstallProtocolInterface()** function installs a protocol interface (a GUID/Protocol Interface structure pair) on a device handle. The same GUID cannot be installed more than once onto the same handle. If installation of a duplicate GUID on a handle is attempted, an **EFI\_INVALID\_PARAMETER** will result.

Installing a protocol interface allows other components to locate the *Handle*, and the interfaces installed on it.

When a protocol interface is installed, the firmware calls all notification functions that have registered to wait for the installation of *Protocol*. For more information, see the **RegisterProtocolNotify()** function description.

## Status Codes Returned

EFI_SUCCESS	The protocol interface was installed.
EFI_OUT_OF_RESOURCES	Space for a new handle could not be allocated.
EFI_INVALID_PARAMETER	<i>Handle</i> is <b>NULL</b> .
EFI_INVALID_PARAMETER	<i>Protocol</i> is <b>NULL</b> .
EFI_INVALID_PARAMETER	<i>InterfaceType</i> is not <b>EFI_NATIVE_INTERFACE</b> .
EFI_INVALID_PARAMETER	<i>Protocol</i> is already installed on the handle specified by <i>Handle</i> .

## UninstallProtocolInterface()

### Summary

Removes a protocol interface from a device handle. It is recommended that **UninstallMultipleProtocolInterfaces()** be used in place of **UninstallProtocolInterface()**.

### Prototype

```
typedef
EFI_STATUS
UninstallProtocolInterface (
    IN EFI_HANDLE  Handle,
    IN EFI_GUID    *Protocol,
    IN VOID        *Interface
);
```

### Parameters

<i>Handle</i>	The handle on which the interface was installed. If <i>Handle</i> is not a valid handle, then <b>EFI_INVALID_PARAMETER</b> is returned. Type <b>EFI_HANDLE</b> is defined in the <u><a href="#">InstallProtocolInterface()</a></u> function description.
<i>Protocol</i>	The numeric ID of the interface. It is the caller's responsibility to pass in a valid GUID. See "Wired For Management Baseline" for a description of valid GUID values. Type <b>EFI_GUID</b> is defined in the <u><a href="#">InstallProtocolInterface()</a></u> function description.
<i>Interface</i>	A pointer to the interface. <b>NULL</b> can be used if a structure is not associated with <i>Protocol</i> .

### Description

The **UninstallProtocolInterface()** function removes a protocol interface from the handle on which it was previously installed. The *Protocol* and *Interface* values define the protocol interface to remove from the handle.

The caller is responsible for ensuring that there are no references to a protocol interface that has been removed. In some cases, outstanding reference information is not available in the protocol, so the protocol, once added, cannot be removed. Examples include Console I/O, Block I/O, Disk I/O, and (in general) handles to device protocols.

If the last protocol interface is removed from a handle, the handle is freed and is no longer valid.

## EFI 1.10 Extension

The extension to this service directly addresses the limitations described in the section above. There may be some drivers that are currently consuming the protocol interface that needs to be uninstalled, so it may be dangerous to just blindly remove a protocol interface from the system. Since the usage of protocol interfaces is now being tracked for components that use the [OpenProtocol\(\)](#) and [CloseProtocol\(\)](#) boot services, a safe version of this function can be implemented. Before the protocol interface is removed, an attempt is made to force all the drivers that are consuming the protocol interface to stop consuming that protocol interface. This is done by calling the boot service [DisconnectController\(\)](#) for the driver that currently have the protocol interface open with an attribute of **EFI\_OPEN\_PROTOCOL\_BY\_DRIVER** or **EFI\_OPEN\_PROTOCOL\_BY\_DRIVER | EFI\_OPEN\_PROTOCOL\_EXCLUSIVE**.

If the disconnect succeeds, then those agents will have called the boot service [CloseProtocol\(\)](#) to release the protocol interface. Lastly, all of the agents that have the protocol interface open with an attribute of **EFI\_OPEN\_PROTOCOL\_BY\_HANDLE\_PROTOCOL**, **EFI\_OPEN\_PROTOCOL\_GET\_PROTOCOL**, or **EFI\_OPEN\_PROTOCOL\_TEST\_PROTOCOL** are closed. If there are any agents remaining that still have the protocol interface open, the protocol interface is not removed from the handle and **EFI\_ACCESS\_DENIED** is returned. In addition, all of the drivers that were disconnected with the boot service [DisconnectController\(\)](#) earlier, are reconnected with the boot service [ConnectController\(\)](#). If there are no agents remaining that are consuming the protocol interface, then the protocol interface is removed from the handle as described above.

### Status Codes Returned

EFI_SUCCESS	The interface was removed.
EFI_NOT_FOUND	The interface was not found.
EFI_ACCESS_DENIED	The interface was not removed because the interface is still being used by a driver.
EFI_INVALID_PARAMETER	<i>Handle</i> is not a valid <b>EFI_HANDLE</b> .
EFI_INVALID_PARAMETER	<i>Protocol</i> is <b>NULL</b> .

## ReinstallProtocolInterface()

### Summary

Reinstalls a protocol interface on a device handle.

### Prototype

```
typedef
EFI_STATUS
ReinstallProtocolInterface (
    IN EFI_HANDLE  Handle,
    IN EFI_GUID    *Protocol,
    IN VOID        *OldInterface,
    IN VOID        *NewInterface
);
```

### Parameters

<i>Handle</i>	Handle on which the interface is to be reinstalled. If <i>Handle</i> is not a valid handle, then <b>EFI_INVALID_PARAMETER</b> is returned. Type <b>EFI_HANDLE</b> is defined in the <u><a href="#">InstallProtocolInterface()</a></u> function description.
<i>Protocol</i>	The numeric ID of the interface. It is the caller's responsibility to pass in a valid GUID. See "Wired For Management Baseline" for a description of valid GUID values. Type <b>EFI_GUID</b> is defined in the <u><a href="#">InstallProtocolInterface()</a></u> function description.
<i>OldInterface</i>	A pointer to the old interface. <b>NULL</b> can be used if a structure is not associated with <i>Protocol</i> .
<i>NewInterface</i>	A pointer to the new interface. <b>NULL</b> can be used if a structure is not associated with <i>Protocol</i> .

### Description

The **ReinstallProtocolInterface()** function reinstalls a protocol interface on a device handle. The *OldInterface* for *Protocol* is replaced by the *NewInterface*. *NewInterface* may be the same as *OldInterface*. If it is, the registered protocol notifies occur for the handle without replacing the interface on the handle.

As with **InstallProtocolInterface()**, any process that has registered to wait for the installation of the interface is notified.

The caller is responsible for ensuring that there are no references to the *OldInterface* that is being removed.

## EFI 1.10 Extension

The extension to this service directly addresses the limitations described in the section above. There may be some number of drivers currently consuming the protocol interface that is being reinstalled. In this case, it may be dangerous to replace a protocol interface in the system. It could result in an unstable state, because a driver may attempt to use the old protocol interface after a new one has been reinstalled. Since the usage of protocol interfaces is now being tracked for components that use the [OpenProtocol\(\)](#) and [CloseProtocol\(\)](#) boot services, a safe version of this function can be implemented.

When this function is called, a call is first made to the boot service [UninstallProtocolInterface\(\)](#). This will guarantee that all of the agents are currently consuming the protocol interface *OldInterface* will stop using *OldInterface*. If [UninstallProtocolInterface\(\)](#) returns **EFI\_ACCESS\_DENIED**, then this function returns **EFI\_ACCESS\_DENIED**, *OldInterface* remains on *Handle*, and the protocol notifies are not processed because *NewInterface* was never installed.

If [UninstallProtocolInterface\(\)](#) succeeds, then a call is made to the boot service [InstallProtocolInterface\(\)](#) to put the *NewInterface* onto *Handle*.

Finally, the boot service [ConnectController\(\)](#) is called so all agents that were forced to release *OldInterface* with [UninstallProtocolInterface\(\)](#) can now consume the protocol interface *NewInterface* that was installed with [InstallProtocolInterface\(\)](#). After *OldInterface* has been replaced with *NewInterface*, any process that has registered to wait for the installation of the interface is notified.

## Status Codes Returned

EFI_SUCCESS	The protocol interface was reinstalled.
EFI_NOT_FOUND	The <i>OldInterface</i> on the handle was not found.
EFI_ACCESS_DENIED	The protocol interface could not be reinstalled, because <i>OldInterface</i> is still being used by a driver that will not release it.
EFI_INVALID_PARAMETER	<i>Handle</i> is not a valid <b>EFI_HANDLE</b> .
EFI_INVALID_PARAMETER	<i>Protocol</i> is <b>NULL</b> .



## RegisterProtocolNotify()

### Summary

Creates an event that is to be signaled whenever an interface is installed for a specified protocol.

### Prototype

```
typedef
EFI_STATUS
RegisterProtocolNotify (
    IN EFI_GUID      *Protocol,
    IN EFI_EVENT     Event,
    OUT VOID         **Registration
);
```

### Parameters

<i>Protocol</i>	The numeric ID of the protocol for which the event is to be registered. Type <b>EFI_GUID</b> is defined in the <a href="#"><u>InstallProtocolInterface()</u></a> function description.
<i>Event</i>	Event that is to be signaled whenever a protocol interface is registered for <i>Protocol</i> . The type <b>EFI_EVENT</b> is defined in the <a href="#"><u>CreateEvent()</u></a> function description. The same <b>EFI_EVENT</b> may be used for multiple protocol notify registrations.
<i>Registration</i>	A pointer to a memory location to receive the registration value. This value must be saved and used by the notification function of <i>Event</i> to retrieve the list of handles that have added a protocol interface of type <i>Protocol</i> .

### Description

The **RegisterProtocolNotify()** function creates an event that is to be signaled whenever a protocol interface is installed for *Protocol* by [InstallProtocolInterface\(\)](#) or [ReinstallProtocolInterface\(\)](#).

Once *Event* has been signaled, the [LocateHandle\(\)](#) function can be called to identify the newly installed, or reinstalled, handles that support *Protocol*. The *Registration* parameter in [RegisterProtocolNotify\(\)](#) corresponds to the *SearchKey* parameter in [LocateHandle\(\)](#). Note that the same handle may be returned multiple times if the handle reinstalls the target protocol ID multiple times. This is typical for removable media devices, because when such a device reappears, it will reinstall the Block I/O protocol to indicate that the device needs to be checked again. In response, layered Disk I/O and Simple File System protocols may then reinstall their protocols to indicate that they can be re-checked, and so forth.

## Status Codes Returned

EFI_SUCCESS	The notification event has been registered.
EFI_OUT_OF_RESOURCES	Space for the notification event could not be allocated.
EFI_INVALID_PARAMETER	<i>Protocol</i> is <b>NULL</b> .
EFI_INVALID_PARAMETER	<i>Event</i> is <b>NULL</b> .
EFI_INVALID_PARAMETER	<i>Registration</i> is <b>NULL</b> .

## LocateHandle()

### Summary

Returns an array of handles that support a specified protocol.

### Prototype

```
typedef
EFI_STATUS
LocateHandle (
    IN EFI_LOCATE_SEARCH_TYPE    SearchType,
    IN EFI_GUID                  *Protocol OPTIONAL,
    IN VOID                       *SearchKey OPTIONAL,
    IN OUT UINTN                  *BufferSize,
    OUT EFI_HANDLE                *Buffer
);
```

### Parameters

<i>SearchType</i>	Specifies which handle(s) are to be returned. Type <b>EFI_LOCATE_SEARCH_TYPE</b> is defined in “Related Definitions.”
<i>Protocol</i>	Specifies the protocol to search by. This parameter is only valid if <i>SearchType</i> is <b>ByProtocol</b> . Type <b>EFI_GUID</b> is defined in the <a href="#">InstallProtocolInterface()</a> function description.
<i>SearchKey</i>	Specifies the search key. This parameter is ignored if <i>SearchType</i> is <b>AllHandles</b> or <b>ByProtocol</b> . If <i>SearchType</i> is <b>ByRegisterNotify</b> , the parameter must be the <i>Registration</i> value returned by function <a href="#">RegisterProtocolNotify()</a> .
<i>BufferSize</i>	On input, the size in bytes of <i>Buffer</i> . On output, the size in bytes of the array returned in <i>Buffer</i> (if the buffer was large enough) or the size, in bytes, of the buffer needed to obtain the array (if the buffer was not large enough).
<i>Buffer</i>	The buffer in which the array is returned. Type <b>EFI_HANDLE</b> is defined in the <a href="#">InstallProtocolInterface()</a> function description.

## Related Definitions

```

//*****
// EFI_LOCATE_SEARCH_TYPE
//*****
typedef enum {
  AllHandles,
  ByRegisterNotify,
  ByProtocol
} EFI_LOCATE_SEARCH_TYPE;

```

- AllHandles**            *Protocol* and *SearchKey* are ignored and the function returns an array of every handle in the system.
- ByRegisterNotify**    *SearchKey* supplies the *Registration* value returned by **RegisterProtocolNotify()**. The function returns the next handle that is new for the registration. Only one handle is returned at a time, starting with the first, and the caller must loop until no more handles are returned. *Protocol* is ignored for this search type.
- ByProtocol**            All handles that support *Protocol* are returned. *SearchKey* is ignored for this search type.

## Description

The **LocateHandle()** function returns an array of handles that match the *SearchType* request. If the input value of *BufferSize* is too small, the function returns **EFI\_BUFFER\_TOO\_SMALL** and updates *BufferSize* to the size of the buffer needed to obtain the array.

## Status Codes Returned

EFI_SUCCESS	The array of handles was returned.
EFI_NOT_FOUND	No handles match the search.
EFI_BUFFER_TOO_SMALL	The <i>BufferSize</i> is too small for the result. <i>BufferSize</i> has been updated with the size needed to complete the request.
EFI_INVALID_PARAMETER	<i>SearchType</i> is not a member of <b>EFI_LOCATE_SEARCH_TYPE</b> .
EFI_INVALID_PARAMETER	<i>SearchType</i> is <b>ByRegisterNotify</b> and <i>SearchKey</i> is <b>NULL</b> .
EFI_INVALID_PARAMETER	<i>SearchType</i> is <b>ByProtocol</b> and <i>Protocol</i> is <b>NULL</b> .
EFI_INVALID_PARAMETER	One or more matches are found and <i>BufferSize</i> is <b>NULL</b> .
EFI_INVALID_PARAMETER	<i>BufferSize</i> is large enough for the result and <i>Buffer</i> is <b>NULL</b> .

## HandleProtocol()

### Summary

Queries a handle to determine if it supports a specified protocol.

### Prototype

```
typedef
EFI_STATUS
HandleProtocol (
    IN EFI_HANDLE  Handle,
    IN EFI_GUID    *Protocol,
    OUT VOID       **Interface
);
```

### Parameters

<i>Handle</i>	The handle being queried. If <i>Handle</i> is not a valid <b>EFI_HANDLE</b> , then <b>EFI_INVALID_PARAMETER</b> is returned. Type <b>EFI_HANDLE</b> is defined in the <a href="#">InstallProtocolInterface()</a> function description.
<i>Protocol</i>	The published unique identifier of the protocol. It is the caller's responsibility to pass in a valid GUID. See "Wired For Management Baseline" for a description of valid GUID values. Type <b>EFI_GUID</b> is defined in the <a href="#">InstallProtocolInterface()</a> function description.
<i>Interface</i>	Supplies the address where a pointer to the corresponding Protocol Interface is returned. <b>NULL</b> will be returned in <i>*Interface</i> if a structure is not associated with <i>Protocol</i> .

### Description

The **HandleProtocol()** function queries *Handle* to determine if it supports *Protocol*. If it does, then on return *Interface* points to a pointer to the corresponding Protocol Interface. *Interface* can then be passed to any protocol service to identify the context of the request.

## EFI 1.10 Extension

The `HandleProtocol ()` function is still available for use by old EFI applications and drivers. However, all new applications and drivers should use `OpenProtocol ()` in place of `HandleProtocol ()`. The following code fragment shows a possible implementation of `HandleProtocol ()` using `OpenProtocol ()`. The variable `EfiCoreImageHandle` is the image handle of the EFI core.

```
EFI_STATUS
HandleProtocol (
    IN EFI_HANDLE      Handle,
    IN EFI_GUID        *Protocol,
    OUT VOID           **Interface
)
{
    return OpenProtocol (
        Handle,
        Protocol,
        Interface,
        EfiCoreImageHandle,
        NULL,
        EFI_OPEN_PROTOCOL_BY_HANDLE_PROTOCOL
    );
}
```

## Status Codes Returned

EFI_SUCCESS	The interface information for the specified protocol was returned.
EFI_UNSUPPORTED	The device does not support the specified protocol.
EFI_INVALID_PARAMETER	<i>Handle</i> is not a valid <b>EFI_HANDLE</b> ..
EFI_INVALID_PARAMETER	<i>Protocol</i> is <b>NULL</b> .
EFI_INVALID_PARAMETER	<i>Interface</i> is <b>NULL</b> .

## LocateDevicePath()

### Summary

Locates the handle to a device on the device path that supports the specified protocol.

### Prototype

```
typedef
EFI_STATUS
LocateDevicePath (
    IN EFI_GUID                                *Protocol,
    IN OUT EFI_DEVICE_PATH_PROTOCOL **DevicePath,
    OUT EFI_HANDLE                            *Device
);
```

### Parameters

<i>Protocol</i>	The protocol to search for. Type <b>EFI_GUID</b> is defined in the <a href="#">InstallProtocolInterface()</a> function description.
<i>DevicePath</i>	On input, a pointer to a pointer to the device path. On output, the device path pointer is modified to point to the remaining part of the device path—that is, when the function finds the closest handle, it splits the device path into two parts, stripping off the front part, and returning the remaining portion. <b>EFI_DEVICE_PATH_PROTOCOL</b> is defined in Section 9.2.
<i>Device</i>	A pointer to the returned device handle. Type <b>EFI_HANDLE</b> is defined in the <a href="#">InstallProtocolInterface()</a> function description.

### Description

The **LocateDevicePath()** function locates all devices on *DevicePath* that support *Protocol* and returns the handle to the device that is closest to *DevicePath*. *DevicePath* is advanced over the device path nodes that were matched.

This function is useful for locating the proper instance of a protocol interface to use from a logical parent device driver. For example, a target device driver may issue the request with its own device path and locate the interfaces to perform I/O on its bus. It can also be used with a device path that contains a file path to strip off the file system portion of the device path, leaving the file path and handle to the file system driver needed to access the file.

If the handle for *DevicePath* supports the protocol (a direct match), the resulting device path is advanced to the device path terminator node.

## Status Codes Returned

EFI_SUCCESS	The resulting handle was returned.
EFI_NOT_FOUND	No handles matched the search.
EFI_INVALID_PARAMETER	<i>Protocol</i> is <b>NULL</b>
EFI_INVALID_PARAMETER	<i>DevicePath</i> is <b>NULL</b> .
EFI_INVALID_PARAMETER	A handle matched the search and <i>Device</i> is <b>NULL</b> .



## OpenProtocol()

### Summary

Queries a handle to determine if it supports a specified protocol. If the protocol is supported by the handle, it opens the protocol on behalf of the calling agent. This is an extended version of the EFI boot service [HandleProtocol\(\)](#).

### Prototype

```
typedef
EFI_STATUS
(EFIAPI *EFI_OPEN_PROTOCOL) (
    IN  EFI_HANDLE      Handle,
    IN  EFI_GUID        *Protocol,
    OUT VOID            **Interface          OPTIONAL,
    IN  EFI_HANDLE      AgentHandle,
    IN  EFI_HANDLE      ControllerHandle,
    IN  UINT32          Attributes
);
```

### Parameters

<i>Handle</i>	The handle for the protocol interface that is being opened.
<i>Protocol</i>	The published unique identifier of the protocol. It is the caller's responsibility to pass in a valid GUID. See "Wired For Management Baseline" for a description of valid GUID values.
<i>Interface</i>	Supplies the address where a pointer to the corresponding Protocol Interface is returned. <b>NULL</b> will be returned in <i>*Interface</i> if a structure is not associated with <i>Protocol</i> . This parameter is optional, and will be ignored if <i>Attributes</i> is <b>EFI_OPEN_PROTOCOL_TEST_PROTOCOL</b> .
<i>AgentHandle</i>	The handle of the agent that is opening the protocol interface specified by <i>Protocol</i> and <i>Interface</i> . For agents that follow the <i>UEFI Driver Model</i> , this parameter is the handle that contains the <b>EFI_DRIVER_BINDING_PROTOCOL</b> instance that is produced by the UEFI driver that is opening the protocol interface. For UEFI applications, this is the image handle of the UEFI application that is opening the protocol interface. For applications that use <b>HandleProtocol()</b> to open a protocol interface, this parameter is the image handle of the EFI firmware.

<i>ControllerHandle</i>	If the agent that is opening a protocol is a driver that follows the <i>UEFI Driver Model</i> , then this parameter is the controller handle that requires the protocol interface. If the agent does not follow the <i>UEFI Driver Model</i> , then this parameter is optional and may be <b>NULL</b> .
<i>Attributes</i>	The open mode of the protocol interface specified by <i>Handle</i> and <i>Protocol</i> . See "Related Definitions" for the list of legal attributes.

## Description

This function opens a protocol interface on the handle specified by *Handle* for the protocol specified by *Protocol*. The first three parameters are the same as **HandleProtocol()**. The only difference is that the agent that is opening a protocol interface is tracked in an EFI's internal handle database. The tracking is used by the *UEFI Driver Model*, and also used to determine if it is safe to uninstall or reinstall a protocol interface.

The agent that is opening the protocol interface is specified by *AgentHandle*, *ControllerHandle*, and *Attributes*. If the protocol interface can be opened, then *AgentHandle*, *ControllerHandle*, and *Attributes* are added to the list of agents that are consuming the protocol interface specified by *Handle* and *Protocol*. In addition, the protocol interface is returned in *Interface*, and **EFI\_SUCCESS** is returned. If *Attributes* is **TEST\_PROTOCOL**, then *Interface* is optional, and can be **NULL**.

There are a number of reasons that this function call can return an error. If an error is returned, then *AgentHandle*, *ControllerHandle*, and *Attributes* are not added to the list of agents consuming the protocol interface specified by *Handle* and *Protocol*, and *Interface* is returned unmodified. The following is the list of conditions that must be checked before this function can return **EFI\_SUCCESS**.

If *Protocol* is **NULL**, then **EFI\_INVALID\_PARAMETER** is returned.

If *Interface* is **NULL** and *Attributes* is not **TEST\_PROTOCOL**, then **EFI\_INVALID\_PARAMETER** is returned.

If *Handle* is not a valid **EFI\_HANDLE**, then **EFI\_INVALID\_PARAMETER** is returned.

If *Handle* does not support *Protocol*, then **EFI\_UNSUPPORTED** is returned.

If *Attributes* is not a legal value, then **EFI\_INVALID\_PARAMETER** is returned. The legal values are listed in "Related Definitions."

If *Attributes* is **BY\_CHILD\_CONTROLLER**, **BY\_DRIVER**, **EXCLUSIVE**, or **BY\_DRIVER|EXCLUSIVE**, and *AgentHandle* is not a valid **EFI\_HANDLE**, then **EFI\_INVALID\_PARAMETER** is returned.

If *Attributes* is **BY\_CHILD\_CONTROLLER**, **BY\_DRIVER**, or **BY\_DRIVER|EXCLUSIVE**, and *ControllerHandle* is not a valid **EFI\_HANDLE**, then **EFI\_INVALID\_PARAMETER** is returned.

If *Attributes* is **BY\_CHILD\_CONTROLLER** and *Handle* is identical to *ControllerHandle*, then **EFI\_INVALID\_PARAMETER** is returned.

If *Attributes* is **BY\_DRIVER**, **BY\_DRIVER|EXCLUSIVE**, or **EXCLUSIVE**, and there are any items on the open list of the protocol interface with an attribute of **EXCLUSIVE** or **BY\_DRIVER|EXCLUSIVE**, then **EFI\_ACCESS\_DENIED** is returned.

If *Attributes* is **BY\_DRIVER**, and there are any items on the open list of the protocol interface with an attribute of **BY\_DRIVER**, and *AgentHandle* is the same agent handle in the open list item, then **EFI\_ALREADY\_STARTED** is returned.

If *Attributes* is **BY\_DRIVER**, and there are any items on the open list of the protocol interface with an attribute of **BY\_DRIVER**, and *AgentHandle* is different than the agent handle in the open list item, then **EFI\_ACCESS\_DENIED** is returned.

If *Attributes* is **BY\_DRIVER|EXCLUSIVE**, and there are any items on the open list of the protocol interface with an attribute of **BY\_DRIVER|EXCLUSIVE**, and *AgentHandle* is the same agent handle in the open list item, then **EFI\_ALREADY\_STARTED** is returned.

If *Attributes* is **BY\_DRIVER|EXCLUSIVE**, and there are any items on the open list of the protocol interface with an attribute of **BY\_DRIVER|EXCLUSIVE**, and *AgentHandle* is different than the agent handle in the open list item, then **EFI\_ACCESS\_DENIED** is returned.

If *Attributes* is **BY\_DRIVER|EXCLUSIVE** or **EXCLUSIVE**, and there is an item on the open list of the protocol interface with an attribute of **BY\_DRIVER**, then the boot service **DisconnectController()** is called for the driver on the open list. If there is an item in the open list of the protocol interface with an attribute of **BY\_DRIVER** remaining after the **DisconnectController()** call has been made, **EFI\_ACCESS\_DENIED** is returned.

## Related Definitions

```
#define EFI_OPEN_PROTOCOL_BY_HANDLE_PROTOCOL    0x00000001
#define EFI_OPEN_PROTOCOL_GET_PROTOCOL         0x00000002
#define EFI_OPEN_PROTOCOL_TEST_PROTOCOL        0x00000004
#define EFI_OPEN_PROTOCOL_BY_CHILD_CONTROLLER  0x00000008
#define EFI_OPEN_PROTOCOL_BY_DRIVER            0x00000010
#define EFI_OPEN_PROTOCOL_EXCLUSIVE            0x00000020
```

The following is the list of legal values for the *Attributes* parameter, and how each value is used.

<b>BY_HANDLE_PROTOCOL</b>	Used in the implementation of <b>HandleProtocol()</b> . Since <b>OpenProtocol()</b> performs the same function as <b>HandleProtocol()</b> with additional functionality, <b>HandleProtocol()</b> can simply call <b>OpenProtocol()</b> with this <i>Attributes</i> value.
---------------------------	---

<b>GET_PROTOCOL</b>	Used by a driver to get a protocol interface from a handle. Care must be taken when using this open mode because the driver that opens a protocol interface in this manner will not be informed if the protocol interface is uninstalled or reinstalled. The caller is also not required to close the protocol interface with <b>CloseProtocol ()</b> .
<b>TEST_PROTOCOL</b>	Used by a driver to test for the existence of a protocol interface on a handle. <i>Interface</i> is optional for this attribute value, so it is ignored, and the caller should only use the return status code. The caller is also not required to close the protocol interface with <b>CloseProtocol ()</b> .
<b>BY_CHILD_CONTROLLER</b>	Used by bus drivers to show that a protocol interface is being used by one of the child controllers of a bus. This information is used by the boot service <b>ConnectController ()</b> to recursively connect all child controllers and by the boot service <b>DisconnectController ()</b> to get the list of child controllers that a bus driver created.
<b>BY_DRIVER</b>	Used by a driver to gain access to a protocol interface. When this mode is used, the driver's <b>Stop ()</b> function will be called by <b>DisconnectController ()</b> if the protocol interface is reinstalled or uninstalled. Once a protocol interface is opened by a driver with this attribute, no other drivers will be allowed to open the same protocol interface with the <b>BY_DRIVER</b> attribute.
<b>BY_DRIVER EXCLUSIVE</b>	Used by a driver to gain exclusive access to a protocol interface. If any other drivers have the protocol interface opened with an attribute of <b>BY_DRIVER</b> , then an attempt will be made to remove them with <b>DisconnectController ()</b> .
<b>EXCLUSIVE</b>	Used by applications to gain exclusive access to a protocol interface. If any drivers have the protocol interface opened with an attribute of <b>BY_DRIVER</b> , then an attempt will be made to remove them by calling the driver's <b>Stop ()</b> function.

## Status Codes Returned

EFI_SUCCESS	An item was added to the open list for the protocol interface, and the protocol interface was returned in <i>Interface</i> .
EFI_INVALID_PARAMETER	<i>Protocol</i> is <b>NULL</b> .
EFI_INVALID_PARAMETER	<i>Interface</i> is <b>NULL</b> , and <i>Attributes</i> is not <b>TEST_PROTOCOL</b> .
EFI_INVALID_PARAMETER	<i>Handle</i> is not a valid <b>EFI_HANDLE</b> .
EFI_UNSUPPORTED	<i>Handle</i> does not support <i>Protocol</i> .
EFI_INVALID_PARAMETER	<i>Attributes</i> is not a legal value.

EFI_INVALID_PARAMETER	<i>Attributes</i> is <b>BY_CHILD_CONTROLLER</b> and <i>AgentHandle</i> is not a valid <b>EFI_HANDLE</b> .
EFI_INVALID_PARAMETER	<i>Attributes</i> is <b>BY_DRIVER</b> and <i>AgentHandle</i> is not a valid <b>EFI_HANDLE</b> .
EFI_INVALID_PARAMETER	<i>Attributes</i> is <b>BY_DRIVER EXCLUSIVE</b> and <i>AgentHandle</i> is not a valid <b>EFI_HANDLE</b> .
EFI_INVALID_PARAMETER	<i>Attributes</i> is <b>EXCLUSIVE</b> and <i>AgentHandle</i> is not a valid <b>EFI_HANDLE</b> .
EFI_INVALID_PARAMETER	<i>Attributes</i> is <b>BY_CHILD_CONTROLLER</b> and <i>ControllerHandle</i> is not a valid <b>EFI_HANDLE</b> .
EFI_INVALID_PARAMETER	<i>Attributes</i> is <b>BY_DRIVER</b> and <i>ControllerHandle</i> is not a valid <b>EFI_HANDLE</b> .
EFI_INVALID_PARAMETER	<i>Attributes</i> is <b>BY_DRIVER EXCLUSIVE</b> and <i>ControllerHandle</i> is not a valid <b>EFI_HANDLE</b> .
EFI_INVALID_PARAMETER	<i>Attributes</i> is <b>BY_CHILD_CONTROLLER</b> and <i>Handle</i> is identical to <i>ControllerHandle</i> .
EFI_ACCESS_DENIED	<i>Attributes</i> is <b>BY_DRIVER</b> and there is an item on the open list with an attribute of <b>BY_DRIVER EXCLUSIVE</b> or <b>EXCLUSIVE</b> .
EFI_ACCESS_DENIED	<i>Attributes</i> is <b>BY_DRIVER EXCLUSIVE</b> and there is an item on the open list with an attribute of <b>EXCLUSIVE</b> .
EFI_ACCESS_DENIED	<i>Attributes</i> is <b>EXCLUSIVE</b> and there is an item on the open list with an attribute of <b>BY_DRIVER EXCLUSIVE</b> or <b>EXCLUSIVE</b> .
EFI_ALREADY_STARTED	<i>Attributes</i> is <b>BY_DRIVER</b> and there is an item on the open list with an attribute of <b>BY_DRIVER</b> whose agent handle is the same as <i>AgentHandle</i> .
EFI_ACCESS_DENIED	<i>Attributes</i> is <b>BY_DRIVER</b> and there is an item on the open list with an attribute of <b>BY_DRIVER</b> whose agent handle is different than <i>AgentHandle</i> .
EFI_ALREADY_STARTED	<i>Attributes</i> is <b>BY_DRIVER EXCLUSIVE</b> and there is an item on the open list with an attribute of <b>BY_DRIVER EXCLUSIVE</b> whose agent handle is the same as <i>AgentHandle</i> .
EFI_ACCESS_DENIED	<i>Attributes</i> is <b>BY_DRIVER EXCLUSIVE</b> and there is an item on the open list with an attribute of <b>BY_DRIVER EXCLUSIVE</b> whose agent handle is different than <i>AgentHandle</i> .
EFI_ACCESS_DENIED	<i>Attributes</i> is <b>BY_DRIVER EXCLUSIVE</b> or <b>EXCLUSIVE</b> and there are items in the open list with an attribute of <b>BY_DRIVER</b> that could not be removed when <b>DisconnectController()</b> was called for that open item.

## Examples

```
EFI_BOOT_SERVICES_TABLE    *gBS;
EFI_HANDLE                 ImageHandle;
EFI_DRIVER_BINDING_PROTOCOL *This;
IN EFI_HANDLE              ControllerHandle,
extern EFI_GUID            gEfiXyzIoProtocol;
EFI_XYZ_IO_PROTOCOL        *XyzIo;
EFI_STATUS                 Status;

//
// EFI_OPEN_PROTOCOL_BY_HANDLE_PROTOCOL example
//   Retrieves the XYZ I/O Protocol instance from ControllerHandle
//   The application that is opening the protocol is identified by ImageHandle
//   Possible return status codes:
//     EFI_SUCCESS           : The protocol was opened and returned in XyzIo
//     EFI_UNSUPPORTED      : The protocol is not present on ControllerHandle
//
Status = gBS->OpenProtocol (
    ControllerHandle,
    &gEfiXyzIoProtocol,
    &XyzIo,
    ImageHandle,
    NULL,
    EFI_OPEN_PROTOCOL_BY_HANDLE_PROTOCOL
);

//
// EFI_OPEN_PROTOCOL_GET_PROTOCOL example
//   Retrieves the XYZ I/O Protocol instance from ControllerHandle
//   The driver that is opening the protocol is identified by the
//   Driver Binding Protocol instance This. This->DriverBindingHandle
//   identifies the agent that is opening the protocol interface, and it
//   is opening this protocol on behalf of ControllerHandle.
//   Possible return status codes:
//     EFI_SUCCESS           : The protocol was opened and returned in XyzIo
//     EFI_UNSUPPORTED      : The protocol is not present on ControllerHandle
//
Status = gBS->OpenProtocol (
    ControllerHandle,
    &gEfiXyzIoProtocol,
    &XyzIo,
    This->DriverBindingHandle,
    ControllerHandle,
    EFI_OPEN_PROTOCOL_GET_PROTOCOL
);

//
// EFI_OPEN_PROTOCOL_TEST_PROTOCOL example
//   Tests to see if the XYZ I/O Protocol is present on ControllerHandle
//   The driver that is opening the protocol is identified by the
//   Driver Binding Protocol instance This. This->DriverBindingHandle
//   identifies the agent that is opening the protocol interface, and it
//   is opening this protocol on behalf of ControllerHandle.
//   Possible return status codes:
//     EFI_SUCCESS           : The protocol was opened and returned in XyzIo
//     EFI_UNSUPPORTED      : The protocol is not present on ControllerHandle
//
Status = gBS->OpenProtocol (
    ControllerHandle,
    &gEfiXyzIoProtocol,
```

```

        NULL,
        This->DriverBindingHandle,
        ControllerHandle,
        EFI_OPEN_PROTOCOL_TEST_PROTOCOL
    );

//
// EFI_OPEN_PROTOCOL_BY_DRIVER example
// Opens the XYZ I/O Protocol on ControllerHandle
// The driver that is opening the protocol is identified by the
// Driver Binding Protocol instance This. This->DriverBindingHandle
// identifies the agent that is opening the protocol interface, and it
// is opening this protocol on behalf of ControllerHandle.
// Possible return status codes:
//   EFI_SUCCESS       : The protocol was opened and returned in XyzIo
//   EFI_UNSUPPORTED   : The protocol is not present on ControllerHandle
//   EFI_ALREADY_STARTED : The protocol is already opened by the driver
//   EFI_ACCESS_DENIED  : The protocol is managed by a different driver
//
Status = gBS->OpenProtocol (
    ControllerHandle,
    &gEfiXyzIoProtocol,
    &XyzIo,
    This->DriverBindingHandle,
    ControllerHandle,
    EFI_OPEN_PROTOCOL_BY_DRIVER
);

//
// EFI_OPEN_PROTOCOL_BY_DRIVER | EFI_OPEN_PROTOCOL_EXCLUSIVE example
// Opens the XYZ I/O Protocol on ControllerHandle
// The driver that is opening the protocol is identified by the
// Driver Binding Protocol instance This. This->DriverBindingHandle
// identifies the agent that is opening the protocol interface, and it
// is opening this protocol on behalf of ControllerHandle.
// Possible return status codes:
//   EFI_SUCCESS       : The protocol was opened and returned in XyzIo. If
//                       a different driver had the XYZ I/O Protocol opened
//                       BY_DRIVER, then that driver was disconnected to
//                       allow this driver to open the XYZ I/O Protocol.
//   EFI_UNSUPPORTED   : The protocol is not present on ControllerHandle
//   EFI_ALREADY_STARTED : The protocol is already opened by the driver
//   EFI_ACCESS_DENIED  : The protocol is managed by a different driver that
//                       already has the protocol opened with an EXCLUSIVE
//                       attribute.
//
Status = gBS->OpenProtocol (
    ControllerHandle,
    &gEfiXyzIoProtocol,
    &XyzIo,
    This->DriverBindingHandle,
    ControllerHandle,
    EFI_OPEN_PROTOCOL_BY_DRIVER | EFI_OPEN_PROTOCOL_EXCLUSIVE
);

```

## CloseProtocol()

### Summary

Closes a protocol on a handle that was opened using [OpenProtocol\(\)](#).

### Prototype

```
typedef
EFI_STATUS
(EFIAPI *EFI_CLOSE_PROTOCOL) (
    IN EFI_HANDLE           Handle,
    IN EFI_GUID             *Protocol,
    IN EFI_HANDLE           AgentHandle,
    IN EFI_HANDLE           ControllerHandle
);
```

### Parameters

<i>Handle</i>	The handle for the protocol interface that was previously opened with <a href="#">OpenProtocol()</a> , and is now being closed.
<i>Protocol</i>	The published unique identifier of the protocol. It is the caller's responsibility to pass in a valid GUID. See "Wired For Management Baseline" for a description of valid GUID values.
<i>AgentHandle</i>	The handle of the agent that is closing the protocol interface. For agents that follow the <i>UEFI Driver Model</i> , this parameter is the handle that contains the <a href="#">EFI_DRIVER_BINDING_PROTOCOL</a> instance that is produced by the UEFI driver that is opening the protocol interface. For UEFI applications, this is the image handle of the UEFI application. For applications that used <a href="#">HandleProtocol()</a> to open the protocol interface, this will be the image handle of the EFI firmware.
<i>ControllerHandle</i>	If the agent that opened a protocol is a driver that follows the <i>UEFI Driver Model</i> , then this parameter is the controller handle that required the protocol interface. If the agent does not follow the <i>UEFI Driver Model</i> , then this parameter is optional and may be <b>NULL</b> .



## Description

This function updates the handle database to show that the protocol instance specified by *Handle* and *Protocol* is no longer required by the agent and controller specified *AgentHandle* and *ControllerHandle*.

If *Handle* or *AgentHandle* is not a valid **EFI\_HANDLE**, then **EFI\_INVALID\_PARAMETER** is returned. If *ControllerHandle* is not **NULL**, and *ControllerHandle* is not a valid **EFI\_HANDLE**, then **EFI\_INVALID\_PARAMETER** is returned. If *Protocol* is **NULL**, then **EFI\_INVALID\_PARAMETER** is returned.

If the interface specified by *Protocol* is not supported by the handle specified by *Handle*, then **EFI\_NOT\_FOUND** is returned.

If the interface specified by *Protocol* is supported by the handle specified by *Handle*, then a check is made to see if the protocol instance specified by *Protocol* and *Handle* was opened by *AgentHandle* and *ControllerHandle* with **OpenProtocol()**. If the protocol instance was not opened by *AgentHandle* and *ControllerHandle*, then **EFI\_NOT\_FOUND** is returned. If the protocol instance was opened by *AgentHandle* and *ControllerHandle*, then all of those references are removed from the handle database, and **EFI\_SUCCESS** is returned.

## Status Codes Returned

EFI_SUCCESS	The protocol instance was closed.
EFI_INVALID_PARAMETER	<i>Handle</i> is not a valid <b>EFI_HANDLE</b> .
EFI_INVALID_PARAMETER	<i>AgentHandle</i> is not a valid <b>EFI_HANDLE</b> .
EFI_INVALID_PARAMETER	<i>ControllerHandle</i> is not <b>NULL</b> and <i>ControllerHandle</i> is not a valid <b>EFI_HANDLE</b> .
EFI_INVALID_PARAMETER	<i>Protocol</i> is <b>NULL</b> .
EFI_NOT_FOUND	<i>Handle</i> does not support the protocol specified by <i>Protocol</i> .
EFI_NOT_FOUND	The protocol interface specified by <i>Handle</i> and <i>Protocol</i> is not currently open by <i>AgentHandle</i> and <i>ControllerHandle</i> .

## Examples

```
EFI_BOOT_SERVICES_TABLE    *gBS;
EFI_HANDLE                 ImageHandle;
EFI_DRIVER_BINDING_PROTOCOL *This;
IN EFI_HANDLE              ControllerHandle,
extern EFI_GUID            gEfiXyzIoProtocol;
EFI_STATUS                 Status;

//
// Close the XYZ I/O Protocol that was opened on behalf of ControllerHandle
//
Status = gBS->CloseProtocol (
    ControllerHandle,
    &gEfiXyzIoProtocol,
    This->DriverBindingHandle,
    ControllerHandle
);

//
// Close the XYZ I/O Protocol that was opened with BY_HANDLE_PROTOCOL
//
Status = gBS->CloseProtocol (
    ControllerHandle,
    &gEfiXyzIoProtocol,
    ImageHandle,
    NULL
);
```

## OpenProtocolInformation()

### Summary

Retrieves the list of agents that currently have a protocol interface opened.

### Prototype

```
typedef
EFI_STATUS
(EFIAPI *EFI_OPEN_PROTOCOL_INFORMATION) (
    IN EFI_HANDLE                Handle,
    IN EFI_GUID                  *Protocol,
    OUT EFI_OPEN_PROTOCOL_INFORMATION_ENTRY **EntryBuffer,
    OUT UINTN                    *EntryCount
);
```

### Parameters

<i>Handle</i>	The handle for the protocol interface that is being queried.
<i>Protocol</i>	The published unique identifier of the protocol. It is the caller's responsibility to pass in a valid GUID. See "Wired For Management Baseline" for a description of valid GUID values.
<i>EntryBuffer</i>	A pointer to a buffer of open protocol information in the form of <b>EFI_OPEN_PROTOCOL_INFORMATION_ENTRY</b> structures. See "Related Definitions" for the declaration of this type. The buffer is allocated by this service, and it is the caller's responsibility to free this buffer when the caller no longer requires the buffer's contents.
<i>EntryCount</i>	A pointer to the number of entries in <i>EntryBuffer</i> .

### Related Definitions

```
typedef struct {
    EFI_HANDLE                AgentHandle;
    EFI_HANDLE                ControllerHandle;
    UINT32                    Attributes;
    UINT32                    OpenCount;
} EFI_OPEN_PROTOCOL_INFORMATION_ENTRY;
```

## Description

This function allocates and returns a buffer of **EFI\_OPEN\_PROTOCOL\_INFORMATION\_ENTRY** structures. The buffer is returned in *EntryBuffer*, and the number of entries is returned in *EntryCount*.

If the interface specified by *Protocol* is not supported by the handle specified by *Handle*, then **EFI\_NOT\_FOUND** is returned.

If the interface specified by *Protocol* is supported by the handle specified by *Handle*, then *EntryBuffer* is allocated with the boot service **AllocatePool ()**, and *EntryCount* is set to the number of entries in *EntryBuffer*. Each entry of *EntryBuffer* is filled in with the image handle, controller handle, and attributes that were passed to **OpenProtocol ()** when the protocol interface was opened. The field **OpenCount** shows the number of times that the protocol interface has been opened by the agent specified by **ImageHandle**, **ControllerHandle**, and **Attributes**. After the contents of *EntryBuffer* have been filled in, **EFI\_SUCCESS** is returned. It is the caller's responsibility to call **FreePool ()** on *EntryBuffer* when the caller no longer required the contents of *EntryBuffer*.

If there are not enough resources available to allocate *EntryBuffer*, then **EFI\_OUT\_OF\_RESOURCES** is returned.

## Status Codes Returned

EFI_SUCCESS	The open protocol information was returned in <i>EntryBuffer</i> , and the number of entries was returned <i>EntryCount</i> .
EFI_NOT_FOUND	<i>Handle</i> does not support the protocol specified by <i>Protocol</i> .
EFI_OUT_OF_RESOURCES	There are not enough resources available to allocate <i>EntryBuffer</i> .

## Examples

See example in the **LocateHandleBuffer ()** function description for an example on how **LocateHandleBuffer ()**, **ProtocolsPerHandle ()**, **OpenProtocol ()**, and **OpenProtocolInformation ()** can be used to traverse the entire handle database.

## ConnectController()

### Summary

Connects one or more drivers to a controller.

### Prototype

```
typedef
EFI_STATUS
ConnectController (
    IN EFI_HANDLE ControllerHandle,
    IN EFI_HANDLE *DriverImageHandle OPTIONAL,
    IN EFI_DEVICE_PATH_PROTOCOL *RemainingDevicePath OPTIONAL,
    IN BOOLEAN Recursive
);
```

### Parameters

- ControllerHandle* The handle of the controller to which driver(s) are to be connected.
- DriverImageHandle* A pointer to an ordered list handles that support the **EFI\_DRIVER\_BINDING\_PROTOCOL**. The list is terminated by a **NULL** handle value. These handles are candidates for the Driver Binding Protocol(s) that will manage the controller specified by *ControllerHandle*. This is an optional parameter that may be **NULL**. This parameter is typically used to debug new drivers.
- RemainingDevicePath* A pointer to the device path that specifies a child of the controller specified by *ControllerHandle*. This is an optional parameter that may be **NULL**. If it is **NULL**, then handles for all the children of *ControllerHandle* will be created. This parameter is passed unchanged to the **Supported()** and **Start()** services of the **EFI\_DRIVER\_BINDING\_PROTOCOL** attached to *ControllerHandle*.
- Recursive* If **TRUE**, then **ConnectController()** is called recursively until the entire tree of controllers below the controller specified by *ControllerHandle* have been created. If **FALSE**, then the tree of controllers is only expanded one level.

## Description

This function connects one or more drivers to the controller specified by *ControllerHandle*. If *ControllerHandle* is not a valid **EFI\_HANDLE**, then **EFI\_INVALID\_PARAMETER** is returned. If there are no **EFI\_DRIVER\_BINDING\_PROTOCOL** instances present in the system, then return **EFI\_NOT\_FOUND**. If there are not enough resources available to complete this function, then **EFI\_OUT\_OF\_RESOURCES** is returned.

If *Recursive* is **FALSE**, then this function returns after all drivers have been connected to *ControllerHandle*. If *Recursive* is **TRUE**, then **ConnectController()** is called recursively on all of the child controllers of *ControllerHandle*. The child controllers can be identified by searching the handle database for all the controllers that have opened *ControllerHandle* with an attribute of **EFI\_OPEN\_PROTOCOL\_BY\_CHILD\_CONTROLLER**.

This functions uses four precedence rules when deciding the order that drivers are tested against controllers. These four rules from highest precedence to lowest precedence are as follows:

1. **Context Override** : *DriverImageHandle* is an ordered list of handles that support the **EFI\_DRIVER\_BINDING\_PROTOCOL**. The highest priority image handle is the first element of the list, and the lowest priority image handle is the last element of the list. The list is terminated with a **NULL** image handle.
2. **Platform Driver Override** : If an **EFI\_PLATFORM\_DRIVER\_OVERRIDE\_PROTOCOL** instance is present in the system, then the **GetDriver()** service of this protocol is used to retrieve an ordered list of image handles for *ControllerHandle*. The first image handle returned from **GetDriver()** has the highest precedence, and the last image handle returned from **GetDriver()** has the lowest precedence. The ordered list is terminated when **GetDriver()** returns **EFI\_NOT\_FOUND**. It is legal for no image handles to be returned by **GetDriver()**. There can be at most a single instance in the system of the **EFI\_PLATFORM\_DRIVER\_OVERRIDE\_PROTOCOL**. If there is more than one, then the system behavior is not deterministic.
3. **Bus Specific Driver Override** : If there is an instance of the **EFI\_BUS\_SPECIFIC\_DRIVER\_OVERRIDE\_PROTOCOL** attached to *ControllerHandle*, then the **GetDriver()** service of this protocol is used to retrieve an ordered list of image handle for *ControllerHandle*. The first image handle returned from **GetDriver()** has the highest precedence, and the last image handle returned from **GetDriver()** has the lowest precedence. The ordered list is terminated when **GetDriver()** returns **EFI\_NOT\_FOUND**. It is legal for no image handles to be returned by **GetDriver()**.
4. **Driver Binding Search** : The list of available driver image handles can be found by using the boot service **LocateHandle()** with a *SearchType* of *ByProtocol* for the GUID of the **EFI\_DRIVER\_BINDING\_PROTOCOL**. From this list, the image handles found in rules (1), (2), and (3) above are removed. The remaining image handles are sorted from highest to lowest based on the *Version* field of the **EFI\_DRIVER\_BINDING\_PROTOCOL** instance associated with each image handle.

Each of the four groups of image handles listed above is tested against *ControllerHandle* in order by using the **EFI\_DRIVER\_BINDING\_PROTOCOL** service **Supported()**. *RemainingDevicePath* is passed into **Supported()** unmodified. The first image handle whose **Supported()** service returns **EFI\_SUCCESS** is marked so the image handle will not be tried again during this call to **ConnectController()**. Then, the **Start()** service of the **EFI\_DRIVER\_BINDING\_PROTOCOL** is called for *ControllerHandle*. Once again, *RemainingDevicePath* is passed in unmodified. Every time **Supported()** returns **EFI\_SUCCESS**, the search for drivers restarts with the highest precedence image handle. This process is repeated until no image handles pass the **Supported()** check.

If at least one image handle returned **EFI\_SUCCESS** from its **Start()** service, then **EFI\_SUCCESS** is returned.

If no image handles returned **EFI\_SUCCESS** from their **Start()** service then **EFI\_NOT\_FOUND** is returned unless *RemainingDevicePath* is not **NULL**, and *RemainingDevicePath* is an End Node. In this special case, **EFI\_SUCCESS** is returned because it is not an error to fail to start a child controller that is specified by an End Device Path Node.

## Status Codes Returned

EFI_SUCCESS	One or more drivers were connected to <i>ControllerHandle</i> .
EFI_SUCCESS	No drivers were connected to <i>ControllerHandle</i> , but <i>RemainingDevicePath</i> is not <b>NULL</b> , and it is an End Device Path Node.
EFI_INVALID_PARAMETER	<i>ControllerHandle</i> is not a valid <b>EFI_HANDLE</b> .
EFI_NOT_FOUND	There are no <b>EFI_DRIVER_BINDING_PROTOCOL</b> instances present in the system.
EFI_NOT_FOUND	No drivers were connected to <i>ControllerHandle</i> .

## Examples

```
//
// Connect All Handles Example
//   The following example recursively connects all controllers in a platform.
//

EFI_STATUS                               Status;
EFI_BOOT_SERVICES_TABLE                  *gBS;
UINTN                                     HandleCount;
EFI_HANDLE                               *HandleBuffer;
UINTN                                     HandleIndex;

//
// Retrieve the list of all handles from the handle database
//
Status = gBS->LocateHandleBuffer (
    AllHandles,
    NULL,
    NULL,
    &HandleCount,
    &HandleBuffer
);
if (!EFI_ERROR (Status)) {
    for (HandleIndex = 0; HandleIndex < HandleCount; HandleIndex++) {
        Status = gBS->ConnectController (
            HandleBuffer[HandleIndex],
            NULL,
            NULL,
            TRUE
        );
    }
    gBS->FreePool (HandleBuffer);
}

//
// Connect Device Path Example
//   The following example walks the device path nodes of a device path, and
//   connects only the drivers required to force a handle with that device path
//   to be present in the handle database. This algorithm guarantees that
//   only the minimum number of devices and drivers are initialized.
//

EFI_STATUS                               Status;
EFI_DEVICE_PATH_PROTOCOL                 *DevicePath;
EFI_DEVICE_PATH_PROTOCOL                 *RemainingDevicePath;
EFI_HANDLE                               Handle;
```



```

do {
    //
    // Find the handle that best matches the Device Path. If it is only a
    // partial match the remaining part of the device path is returned in
    // RemainingDevicePath.
    //
    RemainingDevicePath = DevicePath;
    Status = gBS->LocateDevicePath (
        &gEfiDevicePathProtocolGuid,
        &RemainingDevicePath,
        &Handle
    );
    if (EFI_ERROR(Status)) {
        return EFI_NOT_FOUND;
    }

    //
    // Connect all drivers that apply to Handle and RemainingDevicePath
    // If no drivers are connected Handle, then return EFI_NOT_FOUND
    // The Recursive flag is FALSE so only one level will be expanded.
    //
    Status = gBS->ConnectController (
        Handle,
        NULL,
        RemainingDevicePath,
        FALSE
    );
    if (EFI_ERROR(Status)) {
        return EFI_NOT_FOUND;
    }

    //
    // Loop until RemainingDevicePath is an empty device path
    //
} while (!IsDevicePathEnd (RemainingDevicePath));

//
// A handle with DevicePath exists in the handle database
//
return EFI_SUCCESS;

```

## DisconnectController()

### Summary

Disconnects one or more drivers from a controller.

### Prototype

```
typedef
EFI_STATUS
DisconnectController (
    IN EFI_HANDLE  ControllerHandle,
    IN EFI_HANDLE  DriverImageHandle  OPTIONAL,
    IN EFI_HANDLE  ChildHandle        OPTIONAL
);
```

### Parameters

*ControllerHandle* The handle of the controller from which driver(s) are to be disconnected.

*DriverImageHandle* The driver to disconnect from *ControllerHandle*. If *DriverImageHandle* is **NULL**, then all the drivers currently managing *ControllerHandle* are disconnected from *ControllerHandle*.

*ChildHandle* The handle of the child to destroy. If *ChildHandle* is **NULL**, then all the children of *ControllerHandle* are destroyed before the drivers are disconnected from *ControllerHandle*.

### Description

This function disconnects one or more drivers from the controller specified by *ControllerHandle*. If *DriverImageHandle* is **NULL**, then all of the drivers currently managing *ControllerHandle* are disconnected from *ControllerHandle*. If *DriverImageHandle* is not **NULL**, then only the driver specified by *DriverImageHandle* is disconnected from *ControllerHandle*. If *ChildHandle* is **NULL**, then all of the children of *ControllerHandle* are destroyed before the drivers are disconnected from *ControllerHandle*. If *ChildHandle* is not **NULL**, then only the child controller specified by *ChildHandle* is destroyed. If *ChildHandle* is the only child of *ControllerHandle*, then the driver specified by *DriverImageHandle* will be disconnected from *ControllerHandle*. A driver is disconnected from a controller by calling the **Stop()** service of the **EFI\_DRIVER\_BINDING\_PROTOCOL**. The **EFI\_DRIVER\_BINDING\_PROTOCOL** is on the driver image handle, and the handle of the controller is passed into the **Stop()** service. The list of drivers managing a controller, and the list of children for a specific controller can be retrieved from the handle database with the boot service **OpenProtocolInformation()**. If all the required drivers are disconnected from *ControllerHandle*, then **EFI\_SUCCESS** is returned.

If *ControllerHandle* is not a valid **EFI\_HANDLE**, then **EFI\_INVALID\_PARAMETER** is returned. If no drivers are managing *ControllerHandle*, then **EFI\_SUCCESS** is returned. If *DriverImageHandle* is not **NULL**, and *DriverImageHandle* is not a valid **EFI\_HANDLE**, then **EFI\_INVALID\_PARAMETER** is returned. If *DriverImageHandle* is not **NULL**, and *DriverImageHandle* is not currently managing *ControllerHandle*, then **EFI\_SUCCESS** is returned. If *ChildHandle* is not **NULL**, and *ChildHandle* is not a valid **EFI\_HANDLE**, then **EFI\_INVALID\_PARAMETER** is returned. If there are not enough resources available to disconnect drivers from *ControllerHandle*, then **EFI\_OUT\_OF\_RESOURCES** is returned.

## Status Codes Returned

EFI_SUCCESS	One or more drivers were disconnected from the controller.
EFI_SUCCESS	On entry, no drivers are managing <i>ControllerHandle</i> .
EFI_SUCCESS	<i>DriverImageHandle</i> is not <b>NULL</b> , and on entry <i>DriverImageHandle</i> is not managing <i>ControllerHandle</i> .
EFI_INVALID_PARAMETER	<i>ControllerHandle</i> is not a valid <b>EFI_HANDLE</b> .
EFI_INVALID_PARAMETER	<i>DriverImageHandle</i> is not <b>NULL</b> , and it is not a valid <b>EFI_HANDLE</b> .
EFI_INVALID_PARAMETER	<i>ChildHandle</i> is not <b>NULL</b> , and it is not a valid <b>EFI_HANDLE</b> .
EFI_OUT_OF_RESOURCES	There are not enough resources available to disconnect any drivers from <i>ControllerHandle</i> .
EFI_DEVICE_ERROR	The controller could not be disconnected because of a device error.
EFI_INVALID_PARAMETER	<i>DriverImageHandle</i> does not support the <b>EFI_DRIVER_BINDING_PROTOCOL</b> .

## Examples

```
//
// Disconnect All Handles Example
// The following example recursively disconnects all drivers from all
// controllers in a platform.
//

EFI_STATUS                               Status;
EFI_BOOT_SERVICES_TABLE                  *gBS;
UINTN                                     HandleCount;
EFI_HANDLE                               *HandleBuffer;
UINTN                                     HandleIndex;

//
// Retrieve the list of all handles from the handle database
//
Status = gBS->LocateHandleBuffer (
    AllHandles,
    NULL,
    NULL,
    &HandleCount,
    &HandleBuffer
);
if (!EFI_ERROR (Status)) {
    for (HandleIndex = 0; HandleIndex < HandleCount; HandleIndex++) {
        Status = gBS->DisconnectController (
            HandleBuffer[HandleIndex],
            NULL,
            NULL
        );
    }
    gBS->FreePool (HandleBuffer);
}
```

## ProtocolsPerHandle()

### Summary

Retrieves the list of protocol interface GUIDs that are installed on a handle in a buffer allocated from pool.

### Prototype

```
typedef
EFI_STATUS
ProtocolsPerHandle (
    IN EFI_HANDLE Handle,
    OUT EFI_GUID ***ProtocolBuffer,
    OUT UINTN *ProtocolBufferCount
);
```

### Parameters

<i>Handle</i>	The handle from which to retrieve the list of protocol interface GUIDs.
<i>ProtocolBuffer</i>	A pointer to the list of protocol interface GUID pointers that are installed on <i>Handle</i> . This buffer is allocated with a call to the Boot Service <a href="#">AllocatePool ()</a> . It is the caller's responsibility to call the Boot Service <a href="#">FreePool ()</a> when the caller no longer requires the contents of <i>ProtocolBuffer</i> .
<i>ProtocolBufferCount</i>	A pointer to the number of GUID pointers present in <i>ProtocolBuffer</i> .

### Description

The **ProtocolsPerHandle ()** function retrieves the list of protocol interface GUIDs that are installed on *Handle*. The list is returned in *ProtocolBuffer*, and the number of GUID pointers in *ProtocolBuffer* is returned in *ProtocolBufferCount*.

If *Handle* is **NULL** or *Handle* is not a valid **EFI\_HANDLE**, then **EFI\_INVALID\_PARAMETER** is returned.

If *ProtocolBuffer* is **NULL**, then **EFI\_INVALID\_PAREMETER** is returned.

If *ProtocolBufferCount* is **NULL**, then **EFI\_INVALID\_PARAMETER** is returned.

If there are not enough resources available to allocate *ProtocolBuffer*, then **EFI\_OUT\_OF\_RESOURCES** is returned.

## Status Codes Returned

EFI_SUCCESS	The list of protocol interface GUIDs installed on <i>Handle</i> was returned in <i>ProtocolBuffer</i> . The number of protocol interface GUIDs was returned in <i>ProtocolBufferCount</i> .
EFI_INVALID_PARAMETER	<i>Handle</i> is <b>NULL</b> .
EFI_INVALID_PARAMETER	<i>Handle</i> is not a valid <b>EFI_HANDLE</b> .
EFI_INVALID_PARAMETER	<i>ProtocolBuffer</i> is <b>NULL</b> .
EFI_INVALID_PARAMETER	<i>ProtocolBufferCount</i> is <b>NULL</b> .
EFI_OUT_OF_RESOURCES	There is not enough pool memory to store the results.

## Examples

See example in the [LocateHandleBuffer\(\)](#) function description for an example on how [LocateHandleBuffer\(\)](#), [ProtocolsPerHandle\(\)](#), [OpenProtocol\(\)](#), and [OpenProtocolInformation\(\)](#) can be used to traverse the entire handle database.

## LocateHandleBuffer()

### Summary

Returns an array of handles that support the requested protocol in a buffer allocated from pool.

### Prototype

```
typedef
EFI_STATUS
LocateHandleBuffer (
    IN EFI_LOCATE_SEARCH_TYPE  SearchType,
    IN EFI_GUID                *Protocol  OPTIONAL,
    IN VOID                    *SearchKey  OPTIONAL,
    IN OUT UINTN               *NoHandles,
    OUT EFI_HANDLE             **Buffer
);
```

### Parameters

<i>SearchType</i>	Specifies which handle(s) are to be returned.
<i>Protocol</i>	Provides the protocol to search by. This parameter is only valid for a <i>SearchType</i> of <b>ByProtocol</b> .
<i>SearchKey</i>	Supplies the search key depending on the <i>SearchType</i> .
<i>NoHandles</i>	The number of handles returned in <i>Buffer</i> .
<i>Buffer</i>	A pointer to the buffer to return the requested array of handles that support <i>Protocol</i> . This buffer is allocated with a call to the Boot Service <b>AllocatePool()</b> . It is the caller's responsibility to call the Boot Service <b>FreePool()</b> when the caller no longer requires the contents of <i>Buffer</i> .

### Description

The **LocateHandleBuffer()** function returns one or more handles that match the *SearchType* request. *Buffer* is allocated from pool, and the number of entries in *Buffer* is returned in *NoHandles*. Each *SearchType* is described below:

<b>AllHandles</b>	<i>Protocol</i> and <i>SearchKey</i> are ignored and the function returns an array of every handle in the system.
<b>ByRegisterNotify</b>	<i>SearchKey</i> supplies the Registration returned by <b>RegisterProtocolNotify()</b> . The function returns the next handle that is new for the Registration. Only one handle is returned at a time, and the caller must loop until no more handles are returned. <i>Protocol</i> is ignored for this search type.

**ByProtocol** All handles that support *Protocol* are returned. *SearchKey* is ignored for this search type.

If *NoHandles* is **NULL**, then **EFI\_INVALID\_PARAMETER** is returned.

If *Buffer* is **NULL**, then **EFI\_INVALID\_PARAMETER** is returned.

If there are no handles in the handle database that match the search criteria, then **EFI\_NOT\_FOUND** is returned.

If there are not enough resources available to allocate *Buffer*, then **EFI\_OUT\_OF\_RESOURCES** is returned.

## Status Codes Returned

EFI_SUCCESS	The array of handles was returned in <i>Buffer</i> , and the number of handles in <i>Buffer</i> was returned in <i>NoHandles</i> .
EFI_INVALID_PARAMETER	<i>NoHandles</i> is <b>NULL</b>
EFI_INVALID_PARAMETER	<i>Buffer</i> is <b>NULL</b>
EFI_NOT_FOUND	No handles match the search.
EFI_OUT_OF_RESOURCES	There is not enough pool memory to store the matching results.

## Examples

```
//
// The following example traverses the entire handle database. First all of
// the handles in the handle database are retrieved by using
// LocateHandleBuffer(). Then it uses ProtocolsPerHandle() to retrieve the
// list of protocol GUIDs attached to each handle. Then it uses OpenProtocol()
// to get the protocol instance associated with each protocol GUID on the
// handle. Finally, it uses OpenProtocolInformation() to retrieve the list of
// agents that have opened the protocol on the handle. The caller of these
// functions must make sure that they free the return buffers with FreePool()
// when they are done.
//

EFI_STATUS                               Status;
EFI_BOOT_SERVICES_TABLE                  *gBS;
EFI_HANDLE                                ImageHandle;
UINTN                                     HandleCount;
EFI_HANDLE                                *HandleBuffer;
UINTN                                     HandleIndex;
EFI_GUID                                  **ProtocolGuidArray;
UINTN                                     ArrayCount;
UINTN                                     ProtocolIndex;
EFI_OPEN_PROTOCOL_INFORMATION_ENTRY      *OpenInfo;
UINTN                                     OpenInfoCount;
UINTN                                     OpenInfoIndex;

//
// Retrieve the list of all handles from the handle database
//
Status = gBS->LocateHandleBuffer (
    AllHandles,
    NULL,
    NULL,
```



```

        &HandleCount,
        &HandleBuffer
    );
if (!EFI_ERROR (Status)) {
    for (HandleIndex = 0; HandleIndex < HandleCount; HandleIndex++) {
        //
        // Retrieve the list of all the protocols on each handle
        //
        Status = gBS->ProtocolsPerHandle (
            HandleBuffer[HandleIndex],
            &ProtocolGuidArray,
            &ArrayCount
        );
        if (!EFI_ERROR (Status)) {
            for (ProtocolIndex = 0; ProtocolIndex < ArrayCount; ProtocolIndex++) {
                //
                // Retrieve the protocol instance for each protocol
                //
                Status = gBS->OpenProtocol (
                    HandleBuffer[HandleIndex],
                    ProtocolGuidArray[ProtocolIndex],
                    &Instance,
                    ImageHandle,
                    NULL,
                    EFI_OPEN_PROTOCOL_GET_PROTOCOL
                );

                //
                // Retrieve the list of agents that have opened each protocol
                //
                Status = gBS->OpenProtocolInformation (
                    HandleBuffer[HandleIndex],
                    ProtocolGuidArray[ProtocolIndex],
                    &OpenInfo,
                    &OpenInfoCount
                );
                if (!EFI_ERROR (Status)) {
                    for (OpenInfoIndex=0;OpenInfoIndex<OpenInfoCount;OpenInfoIndex++) {
                        //
                        // HandleBuffer[HandleIndex] is the handle
                        // ProtocolGuidArray[ProtocolIndex] is the protocol GUID
                        // Instance is the protocol instance for the protocol
                        // OpenInfo[OpenInfoIndex] is an agent that has opened a protocol
                        //
                    }
                    if (OpenInfo != NULL) {
                        gBS->FreePool (OpenInfo);
                    }
                }
            }
            if (ProtocolGuidArray != NULL) {
                gBS->FreePool (ProtocolGuidArray);
            }
        }
    }
    if (HandleBuffer != NULL) {
        gBS->FreePool (HandleBuffer);
    }
}
}

```

## LocateProtocol()

### Summary

Returns the first protocol instance that matches the given protocol.

### Prototype

```
typedef
EFI_STATUS
LocateProtocol (
    IN EFI_GUID  *Protocol,
    IN VOID      *Registration  OPTIONAL,
    OUT VOID     **Interface
);
```

### Parameters

*Protocol* Provides the protocol to search for.

*Registration* Optional registration key returned from RegisterProtocolNotify(). If *Registration* is **NULL**, then it is ignored.

*Interface* On return, a pointer to the first interface that matches *Protocol* and *Registration*.

### Description

The **LocateProtocol()** function finds the first device handle that support *Protocol*, and returns a pointer to the protocol interface from that handle in *Interface*. If no protocol instances are found, then *Interface* is set to **NULL**.

If *Interface* is **NULL**, then **EFI\_INVALID\_PARAMETER** is returned.

If *Registration* is **NULL**, and there are no handles in the handle database that support *Protocol*, then **EFI\_NOT\_FOUND** is returned.

If *Registration* is not **NULL**, and there are no new handles for *Registration*, then **EFI\_NOT\_FOUND** is returned.

### Status Codes Returned

EFI_SUCCESS	A protocol instance matching <i>Protocol</i> was found and returned in <i>Interface</i> .
EFI_INVALID_PARAMETER	<i>Interface</i> is <b>NULL</b> .
EFI_NOT_FOUND	No protocol instances were found that match <i>Protocol</i> and <i>Registration</i> .

## InstallMultipleProtocolInterfaces()

### Summary

Installs one or more protocol interfaces into the boot services environment.

### Prototype

```
typedef
EFI_STATUS
InstallMultipleProtocolInterfaces (
    IN OUT EFI_HANDLE  *Handle,
    ...
);
```

### Parameters

<i>Handle</i>	The handle to install the new protocol interfaces on, or <b>NULL</b> if a new handle is to be allocated.
<i>...</i>	A variable argument list containing pairs of protocol GUIDs and protocol interfaces.

### Description

This function installs a set of protocol interfaces into the boot services environment. It removes arguments from the variable argument list in pairs. The first item is always a pointer to the protocol's GUID, and the second item is always a pointer to the protocol's interface. These pairs are used to call the boot service [InstallProtocolInterface\(\)](#) to add a protocol interface to *Handle*. If *Handle* is **NULL** on entry, then a new handle will be allocated. The pairs of arguments are removed in order from the variable argument list until a **NULL** protocol GUID value is found. If any errors are generated while the protocol interfaces are being installed, then all the protocols installed prior to the error will be uninstalled with the boot service [UninstallProtocolInterface\(\)](#) before the error is returned. The same GUID cannot be installed more than once onto the same handle.

It is illegal to have two handles in the handle database with identical device paths. This service performs a test to guarantee a duplicate device path is not inadvertently installed on two different handles. Before any protocol interfaces are installed onto *Handle*, the list of GUID/pointer pair parameters are searched to see if a Device Path Protocol instance is being installed. If a Device Path Protocol instance is going to be installed onto *Handle*, then a check is made to see if a handle is already present in the handle database with an identical Device Path Protocol instance. If an identical Device Path Protocol instance is already present in the handle database, then no protocols are installed onto *Handle*, and **EFI\_ALREADY\_STARTED** is returned.

## Status Codes Returned

EFI_SUCCESS	All the protocol interfaces were installed.
EFI_ALREADY_STARTED	A Device Path Protocol instance was passed in that is already present in the handle database.
EFI_OUT_OF_RESOURCES	There was not enough memory in pool to install all the protocols.

## UninstallMultipleProtocolInterfaces()

### Summary

Removes one or more protocol interfaces into the boot services environment.

### Prototype

```
typedef
EFI_STATUS
UninstallMultipleProtocolInterfaces (
    IN EFI_HANDLE  Handle,
    ...
);
```

### Parameters

*Handle*                      The handle to remove the protocol interfaces from.

...                            A variable argument list containing pairs of protocol GUIDs and protocol interfaces.

### Description

This function removes a set of protocol interfaces from the boot services environment. It removes arguments from the variable argument list in pairs. The first item is always a pointer to the protocol's GUID, and the second item is always a pointer to the protocol's interface. These pairs are used to call the boot service [UninstallProtocolInterface\(\)](#) to remove a protocol interface from *Handle*. The pairs of arguments are removed in order from the variable argument list until a **NULL** protocol GUID value is found. If all of the protocols are uninstalled from *Handle*, then **EFI\_SUCCESS** is returned. If any errors are generated while the protocol interfaces are being uninstalled, then the protocols uninstalled prior to the error will be reinstalled with the boot service [InstallProtocolInterface\(\)](#) and the status code **EFI\_INVALID\_PARAMETER** is returned.

### Status Codes Returned

EFI_SUCCESS	All the protocol interfaces were removed.
EFI_INVALID_PARAMETER	One of the protocol interfaces was not previously installed on <i>Handle</i> .

## 6.4 Image Services

Three types of images can be loaded: applications written to this specification, EFI Boot Services Drivers, and EFI Runtime Services Drivers. An OS Loader is a type of application. The most significant difference between these image types is the type of memory into which they are loaded by the firmware's loader. Table 24 summarizes the differences between images.

**Table 24. Image Type Differences Summary**

	<b>UEFI Application</b>	<b>EFI Boot Services Driver</b>	<b>EFI Runtime Services Driver</b>
Description	<p>A transient application that is loaded during boot services time.   Applications written to this specification are either unloaded when they complete, or they take responsibility for the continued operation of the system via <code>ExitBootServices()</code>.   The applications are loaded in sequential order by the boot manager, but one application may dynamically load another.</p>	<p>A program that is loaded into boot services memory and stays resident until boot services terminates.</p>	<p>A program that is loaded into runtime services memory and stays resident during runtime. The memory required for a Runtime Services Driver must be performed in a single memory allocation, and marked as <code>EfiRuntimeServicesData</code>. (Note that the memory only stays resident when booting an EFI-compatible operating system. Legacy operating systems will reuse the memory.)</p>
Loaded into memory type	<code>EfiLoaderCode</code> , <code>EfiLoaderData</code>	<code>EfiBootServicesCode</code> , <code>EfiBootServicesData</code>	<code>EfiRuntimeServicesCode</code> , <code>EfiRuntimeServicesData</code>
Default pool allocations from memory type	<code>EfiLoaderData</code>	<code>EfiBootServicesData</code>	<code>EfiRuntimeServicesData</code>
Exit behavior	<p>When an application exits, firmware frees the memory used to hold its image.</p>	<p>When a boot services driver exits with an error code, firmware frees the memory used to hold its image.   When a boot services driver's entry point completes with <code>EFI_SUCCESS</code>, the image is retained in memory.</p>	<p>When a runtime services driver exits with an error code, firmware frees the memory used to hold its image.   When a runtime services driver's entry point completes with <code>EFI_SUCCESS</code>, the image is retained in memory.</p>
Notes	<p>This type of image would not install any protocol interfaces or handles.</p>	<p>This type of image would typically use <code>InstallProtocolInterface()</code>.</p>	<p>A runtime driver can only allocate runtime memory during boot services time. Due to the complexity of performing a virtual relocation for a runtime image, this driver type is discouraged unless it is absolutely required.</p>

Most images are loaded by the boot manager. When an application or driver is installed, the installation procedure registers itself with the boot manager for loading. However, in some cases an application or driver may want to programmatically load and start another EFI image. This can be done with the [LoadImage \(\)](#) and [StartImage \(\)](#) interfaces. Drivers may only load applications during the driver's initialization entry point. Table 25 lists the functions that make up Image Services.

**Table 25. Image Functions**

Name	Type	Description
LoadImage	Boot	Loads an EFI image into memory.
StartImage	Boot	Transfers control to a loaded image's entry point.
UnloadImage	Boot	Unloads an image.
EFI_IMAGE_ENTRY_POINT	Boot	Prototype of an EFI Image's entry point.
Exit	Boot	Exits the image's entry point.
ExitBootServices	Boot	Terminates boot services.

The Image boot services have been modified to take advantage of the information that is now being tracked with the [OpenProtocol \(\)](#) and [CloseProtocol \(\)](#) boot services. Since the usage of protocol interfaces is being tracked with these new boot services, it is now possible to automatically close protocol interfaces when an application or a driver is unloaded or exited.

## LoadImage()

### Summary

Loads an EFI image into memory.

### Prototype

```
typedef
EFI_STATUS
LoadImage (
    IN BOOLEAN                BootPolicy,
    IN EFI_HANDLE             ParentImageHandle,
    IN EFI_DEVICE_PATH_PROTOCOL *FilePath,
    IN VOID                   *SourceBuffer OPTIONAL,
    IN UINTN                  SourceSize,
    OUT EFI_HANDLE            *ImageHandle
);
```

### Parameters

<i>BootPolicy</i>	If <b>TRUE</b> , indicates that the request originates from the boot manager, and that the boot manager is attempting to load <i>FilePath</i> as a boot selection. Ignored if <i>SourceBuffer</i> is not <b>NULL</b> .
<i>ParentImageHandle</i>	The caller's image handle. Type <b>EFI_HANDLE</b> is defined in the <u><a href="#">InstallProtocolInterface()</a></u> function description. This field is used to initialize the <i>ParentHandle</i> field of the <u><a href="#">EFI LOADED IMAGE PROTOCOL</a></u> for the image that is being loaded.
<i>FilePath</i>	The <i>DeviceHandle</i> specific file path from which the image is loaded. <b>EFI_DEVICE_PATH_PROTOCOL</b> is defined in Section 9.2.
<i>SourceBuffer</i>	If not <b>NULL</b> , a pointer to the memory location containing a copy of the image to be loaded.
<i>SourceSize</i>	The size in bytes of <i>SourceBuffer</i> . Ignored if <i>SourceBuffer</i> is <b>NULL</b> .
<i>ImageHandle</i>	Pointer to the returned image handle that is created when the image is successfully loaded. Type <b>EFI_HANDLE</b> is defined in the <u><a href="#">InstallProtocolInterface()</a></u> function description.



## Description

The **LoadImage()** function loads an EFI image into memory and returns a handle to the image. The image is loaded in one of two ways. If *SourceBuffer* is not **NULL**, the function is a memory-to-memory load in which *SourceBuffer* points to the image to be loaded and *SourceSize* indicates the image's size in bytes. In this case, the caller has copied the image into *SourceBuffer* and can free the buffer once loading is complete.

If *SourceBuffer* is **NULL**, the function is a file copy operation that uses the **EFI SIMPLE FILE SYSTEM PROTOCOL** and then the **EFI LOAD FILE PROTOCOL** instance associated with the handle that most closely matches *FilePath* will be used. See the boot service description for more information on how the closest handle is located. In the case of **EFI SIMPLE FILE SYSTEM PROTOCOL**, the path name from the File Path Media Device Path node(s) of *FilePath* are used. In the case of **EFI SIMPLE FILE SYSTEM PROTOCOL**, the remaining device path nodes of *FilePath* and the *BootPolicy* flag is passed to the **LOAD\_FILE.LoadFile()** function; the default image responsible for booting is loaded when the *FilePath* only indicates the device. For more information see the discussion of the Load File Protocol in Chapter 12.1.

Once the image is loaded, firmware creates and returns an **EFI\_HANDLE** that identifies the image and supports **EFI LOADED IMAGE PROTOCOL**. The caller may fill in the image's "load options" data, or add additional protocol support to the handle before passing control to the newly loaded image by calling **StartImage()**. Also, once the image is loaded, the caller either starts it by calling **StartImage()** or unloads it by calling **UnloadImage()**.

## Status Codes Returned

EFI_SUCCESS	Image was loaded into memory correctly.
EFI_NOT_FOUND	Both <i>SourceBuffer</i> and <i>FilePath</i> are <b>NULL</b> .
EFI_INVALID_PARAMETER	One of the parameters has an invalid value.
EFI_INVALID_PARAMETER	<i>ImageHandle</i> is <b>NULL</b> .
EFI_INVALID_PARAMETER	<i>ParentImageHandle</i> is <b>NULL</b> .
EFI_INVALID_PARAMETER	<i>ParentImageHandle</i> is not a valid <b>EFI_HANDLE</b> .
EFI_UNSUPPORTED	The image type is not supported.
EFI_OUT_OF_RESOURCES	Image was not loaded due to insufficient resources.
EFI_LOAD_ERROR	Image was not loaded because the image format was corrupt or not understood.
EFI_DEVICE_ERROR	Image was not loaded because the device returned a read error.

## StartImage()

### Summary

Transfers control to a loaded image's entry point.

### Prototype

```
typedef
EFI_STATUS
StartImage (
    IN EFI_HANDLE          ImageHandle,
    OUT UINTN              *ExitDataSize,
    OUT CHAR16             **ExitData OPTIONAL
);
```

### Parameters

<i>ImageHandle</i>	Handle of image to be started. Type <b>EFI_HANDLE</b> is defined in the <a href="#">InstallProtocolInterface ()</a> function description.
<i>ExitDataSize</i>	Pointer to the size, in bytes, of <i>ExitData</i> . If <i>ExitData</i> is NULL, then this parameter is ignored and the contents of <i>ExitDataSize</i> are not modified.
<i>ExitData</i>	Pointer to a pointer to a data buffer that includes a Null-terminated Unicode string, optionally followed by additional binary data. The string is a description that the caller may use to further indicate the reason for the image's exit.

### Description

The **StartImage ()** function transfers control to the entry point of an image that was loaded by [LoadImage \(\)](#). The image may only be started one time.

Control returns from **StartImage ()** when the loaded image's **EFI\_IMAGE\_ENTRY\_POINT** returns or when the loaded image calls [Exit \(\)](#). When that call is made, the *ExitData* buffer and *ExitDataSize* from [Exit \(\)](#) are passed back through the *ExitData* buffer and *ExitDataSize* in this function. The caller of this function is responsible for returning the *ExitData* buffer to the pool by calling [FreePool \(\)](#) when the buffer is no longer needed. Using [Exit \(\)](#) is similar to returning from the image's **EFI\_IMAGE\_ENTRY\_POINT** except that [Exit \(\)](#) may also return additional *ExitData*. [Exit \(\)](#) function description defines clean up procedure performed by the firmware once loaded image returns control.

## EFI 1.10 Extension

To maintain compatibility with UEFI drivers that are written to the *EFI 1.02 Specification*, `StartImage()` must monitor the handle database before and after each image is started. If any handles are created or modified when an image is started, then `ConnectController()` must be called with the *Recursive* parameter set to **TRUE** for each of the newly created or modified handles before `StartImage()` returns.

## Status Codes Returned

EFI_INVALID_PARAMETER	<i>ImageHandle</i> is either an invalid image handle or the image has already been initialized with <code>StartImage</code>
Exit code from image	Exit code from image.

## UnloadImage()

### Summary

Unloads an image.

### Prototype

```
typedef
EFI_STATUS
UnloadImage (
    IN EFI_HANDLE ImageHandle
);
```

### Parameters

*ImageHandle* Handle that identifies the image to be unloaded.

### Description

The **UnloadImage()** function unloads a previously loaded image.

There are three possible scenarios. If the image has not been started, the function unloads the image and returns **EFI\_SUCCESS**.

If the image has been started and has an **Unload()** entry point, control is passed to that entry point. If the image's unload function returns **EFI\_SUCCESS**, the image is unloaded; otherwise, the error returned by the image's unload function is returned to the caller. The image unload function is responsible for freeing all allocated memory and ensuring that there are no references to any freed memory, or to the image itself, before returning **EFI\_SUCCESS**.

If the image has been started and does not have an **Unload()** entry point, the function returns **EFI\_UNSUPPORTED**.

### EFI 1.10 Extension

All of the protocols that were opened by *ImageHandle* using the boot service **OpenProtocol()** are automatically closed with the boot service **CloseProtocol()**. If all of the open protocols are closed, then **EFI\_SUCCESS** is returned. If any call to **CloseProtocol()** fails, then the error code from **CloseProtocol()** is returned.

### Status Codes Returned

EFI_SUCCESS	The image has been unloaded.
EFI_UNSUPPORTED	The image has been started, and does not support unload.
EFI_INVALID_PARAMETER	<i>ImageHandle</i> is not a valid image handle.
Exit code from Unload handler	Exit code from the image's unload function.

## EFI\_IMAGE\_ENTRY\_POINT

### Summary

This is the declaration of an EFI image entry point. This can be the entry point to an application written to this specification, an EFI boot service driver, or an EFI runtime driver.

### Prototype

```
typedef
EFI_STATUS
(EFIAPI *EFI_IMAGE_ENTRY_POINT) (
    IN EFI_HANDLE          ImageHandle,
    IN EFI_SYSTEM_TABLE   *SystemTable
);
```

### Parameters

*ImageHandle* Handle that identifies the loaded image. Type **EFI\_HANDLE** is defined in the [InstallProtocolInterface\(\)](#) function description.

*SystemTable* System Table for this image. Type **EFI\_SYSTEM\_TABLE** is defined in Chapter 4.

### Description

An image's entry point is of type **EFI\_IMAGE\_ENTRY\_POINT**. After firmware loads an image into memory, control is passed to the image's entry point. The entry point is responsible for initializing the image. The image's *ImageHandle* is passed to the image. The *ImageHandle* provides the image with all the binding and data information it needs. This information is available through protocol interfaces. However, to access the protocol interfaces on *ImageHandle* requires access to boot services functions. Therefore, [LoadImage\(\)](#) passes to the **EFI\_IMAGE\_ENTRY\_POINT** a *SystemTable* that is inherited from the current scope of [LoadImage\(\)](#).

All image handles support the **EFI\_LOADED\_IMAGE\_PROTOCOL**. This protocol can be used to obtain information about the loaded image's state—for example, the device from which the image was loaded and the image's load options. In addition, the *ImageHandle* may support other protocols provided by the parent image.

If the image supports dynamic unloading, it must supply an unload function in the **EFI\_LOADED\_IMAGE\_PROTOCOL** structure before returning control from its entry point.

In general, an image returns control from its initialization entry point by calling [Exit\(\)](#) or by returning control from its entry point. If the image returns control from its entry point, the firmware passes control to [Exit\(\)](#) using the return code as the *ExitStatus* parameter to [Exit\(\)](#).

See [Exit\(\)](#) below for entry point exit conditions.

## Exit()

### Summary

Terminates a loaded EFI image and returns control to boot services.

### Prototype

```
typedef
EFI_STATUS
Exit (
    IN EFI_HANDLE ImageHandle,
    IN EFI_STATUS ExitStatus,
    IN UINTN ExitDataSize,
    IN CHAR16 *ExitData OPTIONAL
);
```

### Parameters

<i>ImageHandle</i>	Handle that identifies the image. This parameter is passed to the image on entry.
<i>ExitStatus</i>	The image's exit code.
<i>ExitDataSize</i>	The size, in bytes, of <i>ExitData</i> . Ignored if <i>ExitStatus</i> is <b>EFI_SUCCESS</b> .
<i>ExitData</i>	Pointer to a data buffer that includes a Null-terminated Unicode string, optionally followed by additional binary data. The string is a description that the caller may use to further indicate the reason for the image's exit. <i>ExitData</i> is only valid if <i>ExitStatus</i> is something other than <b>EFI_SUCCESS</b> . The <i>ExitData</i> buffer must be allocated by calling <u><b>AllocatePool()</b></u> .

### Description

The **Exit()** function terminates the image referenced by *ImageHandle* and returns control to boot services. This function may not be called if the image has already returned from its entry point (**EFI\_IMAGE\_ENTRY\_POINT**) or if it has loaded any child images that have not exited (all child images must exit before this image can exit).

Using **Exit()** is similar to returning from the image's **EFI\_IMAGE\_ENTRY\_POINT** except that **Exit()** may also return additional *ExitData*.

When an application exits a compliant system, firmware frees the memory used to hold the image. The firmware also frees its references to the *ImageHandle* and the handle itself. Before exiting, the application is responsible for freeing any resources it allocated. This includes memory (pages and/or pool), open file system handles, and so forth. The only exception to this rule is the *ExitData* buffer, which must be freed by the caller of **StartImage ()**. (If the buffer is needed, firmware must allocate it by calling **AllocatePool ()** and must return a pointer to it to the caller of **StartImage ()**.)

When an EFI boot service driver or runtime service driver exits, firmware frees the image only if the *ExitStatus* is an error code; otherwise the image stays resident in memory. The driver must not return an error code if it has installed any protocol handlers or other active callbacks into the system that have not (or cannot) be cleaned up. If the driver exits with an error code, it is responsible for freeing all resources before exiting. This includes any allocated memory (pages and/or pool), open file system handles, and so forth.

It is valid to call **Exit ()** or **Unload ()** for an image that was loaded by **LoadImage ()** before calling **StartImage ()**. This will free the image from memory without having started it.

## EFI 1.10 Extension

If *ImageHandle* is a UEFI application, then all of the protocols that were opened by *ImageHandle* using the boot service **OpenProtocol ()** are automatically closed with the boot service **CloseProtocol ()**. If *ImageHandle* is an EFI boot services driver or runtime service driver, and *ExitStatus* is an error code, then all of the protocols that were opened by *ImageHandle* using the boot service **OpenProtocol ()** are automatically closed with the boot service **CloseProtocol ()**. If *ImageHandle* is an EFI boot services driver or runtime service driver, and *ExitStatus* is not an error code, then no protocols are automatically closed by this service.

## Status Codes Returned

(Does not return.)	Image exit. Control is returned to the <b>StartImage ()</b> call that invoked the image specified by <i>ImageHandle</i> .
EFI_SUCCESS	The image specified by <i>ImageHandle</i> was unloaded. This condition only occurs for images that have been loaded with <b>LoadImage ()</b> but have not been started with <b>StartImage ()</b> .
EFI_INVALID_PARAMETER	The image specified by <i>ImageHandle</i> has been loaded and started with <b>LoadImage ()</b> and <b>StartImage ()</b> , but the image is not the currently executing image.

## ExitBootServices()

### Summary

Terminates all boot services.

### Prototype

```
typedef
EFI_STATUS
ExitBootServices (
    IN EFI_HANDLE          ImageHandle,
    IN UINTN               MapKey
);
```

### Parameters

*ImageHandle* Handle that identifies the exiting image. Type **EFI\_HANDLE** is defined in the [InstallProtocolInterface\(\)](#) function description.

*MapKey* Key to the latest memory map.

### Description

The **ExitBootServices()** function is called by the currently executing EFI OS loader image to terminate all boot services. On success, the loader becomes responsible for the continued operation of the system. All events of type **EVT\_SIGNAL\_EXIT\_BOOT\_SERVICES** must be signaled before **ExitBootServices()** returns.

An EFI OS loader must ensure that it has the system's current memory map at the time it calls **ExitBootServices()**. This is done by passing in the current memory map's *MapKey* value as returned by [GetMemoryMap\(\)](#). Care must be taken to ensure that the memory map does not change between these two calls. It is suggested that **GetMemoryMap()** be called immediately before calling **ExitBootServices()**.

On success, the EFI OS loader owns all available memory in the system. In addition, the loader can treat all memory in the map marked as **EfiBootServicesCode** and **EfiBootServicesData** as available free memory. No further calls to boot service functions or EFI device-handle-based protocols may be used, and the boot services watchdog timer is disabled. On success, several fields of the EFI System Table should be set to **NULL**. These include *ConsoleInHandle*, *ConIn*, *ConsoleOutHandle*, *ConOut*, *StandardErrorHandle*, *StdErr*, and *BootServicesTable*. In addition, since fields of the EFI System Table are being modified, the 32-bit CRC for the EFI System Table must be recomputed.

### Status Codes Returned

EFI_SUCCESS	Boot services have been terminated.
EFI_INVALID_PARAMETER	<i>MapKey</i> is incorrect.



## 6.5 Miscellaneous Boot Services

This section contains the remaining function definitions for boot services not defined elsewhere but which are required to complete the definition of the EFI environment. Table 26 lists the Miscellaneous Boot Services Functions.

**Table 26. Miscellaneous Boot Services Functions**

Name	Type	Description
SetWatchDogTimer	Boot	Resets and sets a watchdog timer used during boot services time.
Stall	Boot	Stalls the processor.
CopyMem	Boot	Copies the contents of one buffer to another buffer.
SetMem	Boot	Fills a buffer with a specified value.
GetNextMonotonicCount	Boot	Returns a monotonically increasing count for the platform.
InstallConfigurationTable	Boot	Adds, updates, or removes a configuration table from the EFI System Table.
CalculateCrc32	Boot	Computes and returns a 32-bit CRC for a data buffer.

The [CalculateCrc32 \(\)](#) service was added because there are several places in EFI that 32-bit CRCs are used. These include the EFI System Table, the EFI Boot Services Table, the EFI Runtime Services Table, and the GUID Partition Table (GPT) structures. The [CalculateCrc32 \(\)](#) service allows new 32-bit CRCs to be computed, and existing 32-bit CRCs to be validated.

## SetWatchdogTimer()

### Summary

Sets the system's watchdog timer.

### Prototype

```
typedef
EFI_STATUS
SetWatchdogTimer (
    IN UINTN          Timeout,
    IN UINT64         WatchdogCode,
    IN UINTN          DataSize,
    IN CHAR16         *WatchdogData    OPTIONAL
);
```

### Parameters

<i>Timeout</i>	The number of seconds to set the watchdog timer to. A value of zero disables the timer.
<i>WatchdogCode</i>	The numeric code to log on a watchdog timer timeout event. The firmware reserves codes 0x0000 to 0xFFFF. Loaders and operating systems may use other timeout codes.
<i>DataSize</i>	The size, in bytes, of <i>WatchdogData</i> .
<i>WatchdogData</i>	A data buffer that includes a Null-terminated Unicode string, optionally followed by additional binary data. The string is a description that the call may use to further indicate the reason to be logged with a watchdog event.

### Description

The **SetWatchdogTimer()** function sets the system's watchdog timer.

If the watchdog timer expires, the event is logged by the firmware. The system may then either reset with the Runtime Service **ResetSystem()**, or perform a platform specific action that must eventually cause the platform to be reset. The watchdog timer is armed before the firmware's boot manager invokes an EFI boot option. The watchdog must be set to a period of 5 minutes. The EFI Image may reset or disable the watchdog timer as needed. If control is returned to the firmware's boot manager, the watchdog timer must be disabled.

The watchdog timer is only used during boot services. On successful completion of **ExitBootServices()** the watchdog timer is disabled.

The accuracy of the watchdog timer is +/- 1 second from the requested *Timeout*.

## Status Codes Returned

EFI_SUCCESS	The timeout has been set.
EFI_INVALID_PARAMETER	The supplied <i>WatchdogCode</i> is invalid.
EFI_UNSUPPORTED	The system does not have a watchdog timer.
EFI_DEVICE_ERROR	The watch dog timer could not be programmed due to a hardware error.

## Stall()

### Summary

Induces a fine-grained stall.

### Prototype

```
typedef
EFI_STATUS
Stall (
    IN UINTN                Microseconds
)
```

### Parameters

*Microseconds*      The number of microseconds to stall execution.

### Description

The **Stall()** function stalls execution on the processor for at least the requested number of microseconds. Execution of the processor is *not* yielded for the duration of the stall.

### Status Codes Returned

EFI_SUCCESS	Execution was stalled at least the requested number of <i>Microseconds</i> .
-------------	--

## CopyMem()

### Summary

The **CopyMem()** function copies the contents of one buffer to another buffer.

### Prototype

```
typedef
VOID
CopyMem (
    IN VOID      *Destination,
    IN VOID      *Source,
    IN UINTN     Length
);
```

### Parameters

<i>Destination</i>	Pointer to the destination buffer of the memory copy.
<i>Source</i>	Pointer to the source buffer of the memory copy.
<i>Length</i>	Number of bytes to copy from <i>Source</i> to <i>Destination</i> .

### Description

The **CopyMem()** function copies *Length* bytes from the buffer *Source* to the buffer *Destination*.

The implementation of **CopyMem()** must be reentrant, and it must handle overlapping *Source* and *Destination* buffers. This means that the implementation of **CopyMem()** must choose the correct direction of the copy operation based on the type of overlap that exists between the *Source* and *Destination* buffers. If either the *Source* buffer or the *Destination* buffer crosses the top of the processor's address space, then the result of the copy operation is unpredictable.

The contents of the *Destination* buffer on exit from this service must match the contents of the *Source* buffer on entry to this service. Due to potential overlaps, the contents of the *Source* buffer may be modified by this service. The following rules can be used to guarantee the correct behavior:

1. If *Destination* and *Source* are identical, then no operation should be performed.
2. If  $Destination > Source$  **and**  $Destination < (Source + Length)$ , then the data should be copied from the *Source* buffer to the *Destination* buffer starting from the end of the buffers and working toward the beginning of the buffers.
3. Otherwise, the data should be copied from the *Source* buffer to the *Destination* buffer starting from the beginning of the buffers and working toward the end of the buffers.

## **Status Codes Returned**

None.

## SetMem()

### Summary

The **SetMem()** function fills a buffer with a specified value.

### Prototype

```
typedef
VOID
SetMem (
    IN VOID      *Buffer,
    IN UINTN     Size,
    IN UINT8     Value
);
```

### Parameters

<i>Buffer</i>	Pointer to the buffer to fill.
<i>Size</i>	Number of bytes in <i>Buffer</i> to fill.
<i>Value</i>	Value to fill <i>Buffer</i> with.

### Description

This function fills *Size* bytes of *Buffer* with *Value*. The implementation of **SetMem()** must be reentrant. If *Buffer* crosses the top of the processor's address space, the result of the **SetMem()** operation is unpredictable.

### Status Codes Returned

None.

## GetNextMonotonicCount()

### Summary

Returns a monotonically increasing count for the platform.

### Prototype

```
typedef
EFI_STATUS
GetNextMonotonicCount (
    OUT UINT64          *Count
);
```

### Parameters

*Count*                      Pointer to returned value.

### Description

The **GetNextMonotonicCount ()** function returns a 64-bit value that is numerically larger than the last time the function was called.

The platform's monotonic counter is comprised of two parts: the high 32 bits and the low 32 bits. The low 32-bit value is volatile and is reset to zero on every system reset. It is increased by 1 on every call to **GetNextMonotonicCount ()**. The high 32-bit value is nonvolatile and is increased by one on whenever the system resets or the low 32-bit counter overflows.

### Status Codes Returned

EFI_SUCCESS	The next monotonic count was returned.
EFI_DEVICE_ERROR	The device is not functioning properly.
EFI_INVALID_PARAMETER	<i>Count</i> is <b>NULL</b> .



## InstallConfigurationTable()

### Summary

Adds, updates, or removes a configuration table entry from the EFI System Table.

### Prototype

```
typedef
EFI_STATUS
InstallConfigurationTable (
    IN EFI_GUID          *Guid,
    IN VOID              *Table
);
```

### Parameters

*Guid* A pointer to the GUID for the entry to add, update, or remove.

*Table* A pointer to the configuration table for the entry to add, update, or remove. May be **NULL**.

### Description

The **InstallConfigurationTable()** function is used to maintain the list of configuration tables that are stored in the EFI System Table. The list is stored as an array of (GUID, Pointer) pairs. The list must be allocated from pool memory with *PoolType* set to **EfiRuntimeServicesData**.

If *Guid* is not a valid GUID, **EFI\_INVALID\_PARAMETER** is returned. If *Guid* is valid, there are four possibilities:

- If *Guid* is not present in the System Table, and *Table* is not **NULL**, then the (*Guid*, *Table*) pair is added to the System Table. See Note below.
- If *Guid* is not present in the System Table, and *Table* is **NULL**, then **EFI\_NOT\_FOUND** is returned.
- If *Guid* is present in the System Table, and *Table* is not **NULL**, then the (*Guid*, *Table*) pair is updated with the new *Table* value.
- If *Guid* is present in the System Table, and *Table* is **NULL**, then the entry associated with *Guid* is removed from the System Table.

If an add, modify, or remove operation is completed, then **EFI\_SUCCESS** is returned.

### NOTE

---

If there is not enough memory to perform an add operation, then **EFI\_OUT\_OF\_RESOURCES** is returned.

---

## Status Codes Returned

EFI_SUCCESS	The ( <i>Guid</i> , <i>Table</i> ) pair was added, updated, or removed.
EFI_INVALID_PARAMETER	<i>Guid</i> is not valid.
EFI_NOT_FOUND	An attempt was made to delete a nonexistent entry.
EFI_OUT_OF_RESOURCES	There is not enough memory available to complete the operation.

## CalculateCrc32()

### Summary

Computes and returns a 32-bit CRC for a data buffer.

### Prototype

```
typedef
EFI_STATUS
CalculateCrc32 (
    IN VOID      *Data,
    IN UINTN     DataSize,
    OUT UINT32   *Crc32
);
```

### Parameters

*Data* A pointer to the buffer on which the 32-bit CRC is to be computed.

*DataSize* The number of bytes in the buffer *Data*.

*Crc32* The 32-bit CRC that was computed for the data buffer specified by *Data* and *DataSize*.

### Description

This function computes the 32-bit CRC for the data buffer specified by *Data* and *DataSize*. If the 32-bit CRC is computed, then it is returned in *Crc32* and **EFI\_SUCCESS** is returned.

If *Data* is **NULL**, then **EFI\_INVALID\_PARAMETER** is returned.

If *Crc32* is **NULL**, then **EFI\_INVALID\_PARAMETER** is returned.

If *DataSize* is 0, then **EFI\_INVALID\_PARAMETER** is returned.

### Status Codes Returned

EFI_SUCCESS	The 32-bit CRC was computed for the data buffer and returned in <i>Crc32</i> .
EFI_INVALID_PARAMETER	<i>Data</i> is <b>NULL</b> .
EFI_INVALID_PARAMETER	<i>Crc32</i> is <b>NULL</b> .
EFI_INVALID_PARAMETER	<i>DataSize</i> is 0.



## Services — Runtime Services

---

This chapter discusses the fundamental services that are present in a compliant system. The services are defined by interface functions that may be used by code running in the EFI environment. Such code may include protocols that manage device access or extend platform capability, as well as applications running in the preboot environment and EFI OS loaders. Two types of services are described here:

- **Boot Services.** Functions that are available *before* a successful call to **ExitBootServices ()**. These functions are described in Chapter 6.
- **Runtime Services.** Functions that are available *before and after* any call to **ExitBootServices ()**. These functions are described in this chapter.

During boot, system resources are owned by the firmware and are controlled through boot services interface functions. These functions can be characterized as “global” or “handle-based.” The term “global” simply means that a function accesses system services and is available on all platforms (since all platforms support all system services). The term “handle-based” means that the function accesses a specific device or device functionality and may not be available on some platforms (since some devices are not available on some platforms). Protocols are created dynamically. This chapter discusses the “global” functions and runtime functions; subsequent chapters discuss the “handle-based.”

Applications written to this specification (including OS loaders) must use boot services functions to access devices and allocate memory. On entry, an image is provided a pointer to a system table which contains the Boot Services dispatch table and the default handles for accessing the console. All boot services functionality is available until an EFI OS loader loads enough of its own environment to take control of the system’s continued operation and then terminates boot services with a call to **ExitBootServices ()**.

In principle, the **ExitBootServices ()** call is intended for use by the operating system to indicate that its loader is ready to assume control of the platform and all platform resource management. Thus boot services are available up to this point to assist the OS loader in preparing to boot the operating system. Once the OS loader takes control of the system and completes the operating system boot process, only runtime services may be called. Code other than the OS loader, however, may or may not choose to call **ExitBootServices ()**. This choice may in part depend upon whether or not such code is designed to make continued use of EFI boot services or the boot services environment.

The rest of this chapter discusses individual functions. Runtime Services fall into these categories:

- Variable Services (Section 7.1)
- Time Services (Section 7.2)
- Virtual Memory Services (Section 7.3)
- Miscellaneous Services (Section 7.4)

## 7.1 Variable Services

Variables are defined as key/value pairs that consist of identifying information plus attributes (the key) and arbitrary data (the value). Variables are intended for use as a means to store data that is passed between the EFI environment implemented in the platform and EFI OS loaders and other applications that run in the EFI environment.

Although the implementation of variable storage is not defined in this specification, variables must be persistent in most cases. This implies that the EFI implementation on a platform must arrange it so that variables passed in for storage are retained and available for use each time the system boots, at least until they are explicitly deleted or overwritten. Provision of this type of nonvolatile storage may be very limited on some platforms, so variables should be used sparingly in cases where other means of communicating information cannot be used.

Table 27 lists the variable services functions described in this section:

**Table 27. Variable Services Functions**

Name	Type	Description
GetVariable	Runtime	Returns the value of a variable.
GetNextVariableName	Runtime	Enumerates the current variable names.
SetVariable	Runtime	Sets the value of a variable.
QueryVariableInfo()	Runtime	Returns information about the EFI variables

## GetVariable()

### Summary

Returns the value of a variable.

### Prototype

```
typedef
EFI_STATUS
GetVariable (
    IN CHAR16                *VariableName,
    IN EFI_GUID              *VendorGuid,
    OUT UINT32               *Attributes OPTIONAL,
    IN OUT UINTN             *DataSize,
    OUT VOID                 *Data
);
```

### Parameters

<i>VariableName</i>	A Null-terminated Unicode string that is the name of the vendor's variable.
<i>VendorGuid</i>	A unique identifier for the vendor. Type <b>EFI_GUID</b> is defined in the <a href="#">InstallProtocolInterface()</a> function description.
<i>Attributes</i>	If not <b>NULL</b> , a pointer to the memory location to return the attributes bitmask for the variable. See "Related Definitions."
<i>DataSize</i>	On input, the size in bytes of the return <i>Data</i> buffer. On output the size of data returned in <i>Data</i> .
<i>Data</i>	The buffer to return the contents of the variable.

### Related Definitions

```
/**
// *****
// Variable Attributes
// *****
#define EFI_VARIABLE_NON_VOLATILE          0x00000001
#define EFI_VARIABLE_BOOTSERVICE_ACCESS  0x00000002
#define EFI_VARIABLE_RUNTIME_ACCESS       0x00000004
```

## Description

Each vendor may create and manage its own variables without the risk of name conflicts by using a unique *VendorGuid*. When a variable is set its *Attributes* are supplied to indicate how the data variable should be stored and maintained by the system. The attributes affect when the variable may be accessed and volatility of the data. Any attempts to access a variable that does not have the attribute set for runtime access will yield the **EFI\_NOT\_FOUND** error.

If the *Data* buffer is too small to hold the contents of the variable, the error **EFI\_BUFFER\_TOO\_SMALL** is returned and *DataSize* is set to the required buffer size to obtain the data.

## Status Codes Returned

EFI_SUCCESS	The function completed successfully.
EFI_NOT_FOUND	The variable was not found.
EFI_BUFFER_TOO_SMALL	The <i>DataSize</i> is too small for the result. <i>DataSize</i> has been updated with the size needed to complete the request.
EFI_INVALID_PARAMETER	<i>VariableName</i> is <b>NULL</b> .
EFI_INVALID_PARAMETER	<i>VendorGuid</i> is <b>NULL</b> .
EFI_INVALID_PARAMETER	<i>DataSize</i> is <b>NULL</b> .
EFI_INVALID_PARAMETER	The <i>DataSize</i> is not too small and <i>Data</i> is <b>NULL</b> .
EFI_DEVICE_ERROR	The variable could not be retrieved due to a hardware error.



## GetNextVariableName()

### Summary

Enumerates the current variable names.

### Prototype

```
typedef
EFI_STATUS
GetNextVariableName (
    IN OUT UINTN          *VariableNameSize,
    IN OUT CHAR16        *VariableName,
    IN OUT EFI_GUID      *VendorGuid
);
```

### Parameters

<i>VariableNameSize</i>	The size of the <i>VariableName</i> buffer.
<i>VariableName</i>	On input, supplies the last <i>VariableName</i> that was returned by <b>GetNextVariableName ()</b> . On output, returns the Null-terminated Unicode string of the current variable.
<i>VendorGuid</i>	On input, supplies the last <i>VendorGuid</i> that was returned by <b>GetNextVariableName ()</b> . On output, returns the <i>VendorGuid</i> of the current variable. Type <b>EFI_GUID</b> is defined in the <b><u>InstallProtocolInterface ()</u></b> function description.

### Description

**GetNextVariableName ()** is called multiple times to retrieve the *VariableName* and *VendorGuid* of all variables currently available in the system. On each call to **GetNextVariableName ()** the previous results are passed into the interface, and on output the interface returns the next variable name data. When the entire variable list has been returned, the error **EFI\_NOT\_FOUND** is returned.

Note that if **EFI\_BUFFER\_TOO\_SMALL** is returned, the *VariableName* buffer was too small for the next variable. When such an error occurs, the *VariableNameSize* is updated to reflect the size of buffer needed. In all cases when calling **GetNextVariableName ()** the *VariableNameSize* must not exceed the actual buffer size that was allocated for *VariableName*.

To start the search, a Null-terminated string is passed in *VariableName*; that is, *VariableName* is a pointer to a Null Unicode character. This is always done on the initial call to **GetNextVariableName ()**. When *VariableName* is a pointer to a Null Unicode character, *VendorGuid* is ignored. **GetNextVariableName ()** cannot be used as a filter to return variable names with a specific GUID. Instead, the entire list of variables must be retrieved, and the

caller may act as a filter if it chooses. Calls to [SetVariable\(\)](#) between calls to [GetNextVariableName\(\)](#) may produce unpredictable results. Passing in a *VariableName* parameter that is neither a Null-terminated string nor a value that was returned on the previous call to [GetNextVariableName\(\)](#) may also produce unpredictable results.

Once [ExitBootServices\(\)](#) is performed, variables that are only visible during boot services will no longer be returned. To obtain the data contents or attribute for a variable returned by [GetNextVariableName\(\)](#), the [GetVariable\(\)](#) interface is used.

## Status Codes Returned

EFI_SUCCESS	The function completed successfully.
EFI_NOT_FOUND	The next variable was not found.
EFI_BUFFER_TOO_SMALL	The <i>VariableNameSize</i> is too small for the result. <i>VariableNameSize</i> has been updated with the size needed to complete the request.
EFI_INVALID_PARAMETER	<i>VariableNameSize</i> is <b>NULL</b> .
EFI_INVALID_PARAMETER	<i>VariableName</i> is <b>NULL</b> .
EFI_INVALID_PARAMETER	<i>VendorGuid</i> is <b>NULL</b> .
EFI_DEVICE_ERROR	The variable name could not be retrieved due to a hardware error.

## SetVariable()

### Summary

Sets the value of a variable.

### Prototype

```
typedef
EFI_STATUS
SetVariable (
    IN CHAR16                *VariableName,
    IN EFI_GUID              *VendorGuid,
    IN UINT32                 Attributes,
    IN UINTN                  DataSize,
    IN VOID                   *Data
);
```

### Parameters

<i>VariableName</i>	A Null-terminated Unicode string that is the name of the vendor's variable. Each <i>VariableName</i> is unique for each <i>VendorGuid</i> . <i>VariableName</i> must contain 1 or more Unicode characters. If <i>VariableName</i> is an empty Unicode string, then <b>EFI_INVALID_PARAMETER</b> is returned.
<i>VendorGuid</i>	A unique identifier for the vendor. Type <b>EFI_GUID</b> is defined in the <b><u>InstallProtocolInterface()</u></b> function description.
<i>Attributes</i>	Attributes bitmask to set for the variable. Refer to the <b><u>GetVariable()</u></b> function description.
<i>DataSize</i>	The size in bytes of the <i>Data</i> buffer. A size of zero causes the variable to be deleted.
<i>Data</i>	The contents for the variable.

### Description

Variables are stored by the firmware and may maintain their values across power cycles. Each vendor may create and manage its own variables without the risk of name conflicts by using a unique *VendorGuid*.

Each variable has *Attributes* that define how the firmware stores and maintains the data value. If the **EFI\_VARIABLE\_NON\_VOLATILE** attribute is *not* set, the firmware stores the variable in normal memory and it is not maintained across a power cycle. Such variables are used to pass information from one component to another. An example of this is the firmware's language code support variable. It is created at firmware initialization time for access by EFI components that may need the information, but does not need to be backed up to nonvolatile storage.

**EFI\_VARIABLE\_NON\_VOLATILE** variables are stored in fixed hardware that has a limited storage capacity; sometimes a severely limited capacity. Software should only use a nonvolatile variable when absolutely necessary. In addition, if software uses a nonvolatile variable it should use a variable that is only accessible at boot services time if possible.

A variable must contain one or more bytes of *Data*. Using **SetVariable()** with a *DataSize* of zero causes the entire variable to be deleted. The space consumed by the deleted variable may not be available until the next power cycle.

The Attributes have the following usage rules:

- Storage attributes are only applied to a variable when creating the variable. If a preexisting variable is rewritten with different attributes, the result is indeterminate and may vary between implementations. The correct method of changing the attributes of a variable is to delete the variable and recreate it with different attributes. There is one exception to this rule. If a preexisting variable is rewritten with no access attributes specified, the variable will be deleted.
- Setting a data variable with no access attributes, or zero *DataSize* specified, causes it to be deleted.
- Runtime access to a data variable implies boot service access. Attributes that have **EFI\_VARIABLE\_RUNTIME\_ACCESS** set must also have **EFI\_VARIABLE\_BOOTSERVICE\_ACCESS** set. The caller is responsible for following this rule.
- Once **ExitBootServices()** is performed, data variables that did not have **EFI\_VARIABLE\_RUNTIME\_ACCESS** set are no longer visible to **GetVariable()**.
- Once **ExitBootServices()** is performed, only variables that have **EFI\_VARIABLE\_RUNTIME\_ACCESS** and **EFI\_VARIABLE\_NON\_VOLATILE** set can be set with **SetVariable()**. Variables that have runtime access but that are not nonvolatile are read-only data variables once **ExitBootServices()** is performed.

The only rules the firmware must implement when saving a nonvolatile variable is that it has actually been saved to nonvolatile storage before returning **EFI\_SUCCESS**, and that a partial save is not performed. If power fails during a call to **SetVariable()** the variable may contain its previous value, or its new value. In addition there is no read, write, or delete security protection.

## Status Codes Returned

EFI_SUCCESS	The firmware has successfully stored the variable and its data as defined by the Attributes.
EFI_INVALID_PARAMETER	An invalid combination of attribute bits was supplied, or the <i>DataSize</i> exceeds the maximum allowed.
EFI_INVALID_PARAMETER	<i>VariableName</i> is an empty Unicode string.
EFI_OUT_OF_RESOURCES	Not enough storage is available to hold the variable and its data.
EFI_DEVICE_ERROR	The variable could not be saved due to a hardware failure.
EFI_WRITE_PROTECTED	The variable in question is read-only.

## QueryVariableInfo()

### Summary

Returns information about the EFI variables.

### Prototype

```
typedef
EFI_STATUS
QueryVariableInfo (
    IN UINT32             Attributes,
    OUT UINT64           *MaximumVariableStorageSize,
    OUT UINT64           *RemainingVariableStorageSize,
    OUT UINT64           *MaximumVariableSize
);
```

<i>Attributes</i>	Attributes bitmask to specify the type of variables on which to return information. Refer to the <b>GetVariable ()</b> function description.
<i>MaximumVariableStorageSize</i>	On output the maximum size of the storage space available for the EFI variables associated with the attributes specified.
<i>RemainingVariableStorageSize</i>	Returns the remaining size of the storage space available for the EFI variables associated with the attributes specified.
<i>MaximumVariableSize</i>	Returns the maximum size of the individual EFI variables associated with the attributes specified.

### Description

The **QueryVariableInfo ()** function allows a caller to obtain the information about the maximum size of the storage space available for the EFI variables, the remaining size of the storage space available for the EFI variables and the maximum size of each individual EFI variable, associated with the attributes specified.

The returned *MaximumVariableStorageSize*, *RemainingVariableStorageSize*, *MaximumVariableSize* information may change immediately after the call based on other runtime activities including asynchronous error events. Also, these values associated with different attributes are not additive in nature.

## Status Codes Returned

EFI_SUCCESS	Valid answer returned.
EFI_INVALID_PARAMETER	An invalid combination of attribute bits was supplied
EFI_UNSUPPORTED	The attribute is not supported on this platform, and the <i>MaximumVariableStorageSize</i> , <i>RemainingVariableStorageSize</i> , <i>MaximumVariableSize</i> are undefined.

## 7.2 Time Services

This section contains function definitions for time-related functions that are typically needed by operating systems at runtime to access underlying hardware that manages time information and services. The purpose of these interfaces is to provide operating system writers with an abstraction for hardware time devices, thereby relieving the need to access legacy hardware devices directly. There is also a stalling function for use in the preboot environment. Table 28 lists the time services functions described in this section:

**Table 28. Time Services Functions**

Name	Type	Description
GetTime	Runtime	Returns the current time and date, and the time-keeping capabilities of the platform.
SetTime	Runtime	Sets the current local time and date information.
GetWakeupTime	Runtime	Returns the current wakeup alarm clock setting.
SetWakeupTime	Runtime	Sets the system wakeup alarm clock time.

## GetTime()

### Summary

Returns the current time and date information, and the time-keeping capabilities of the hardware platform.

### Prototype

```
typedef
EFI_STATUS
GetTime (
    OUT EFI_TIME                *Time,
    OUT EFI_TIME_CAPABILITIES  *Capabilities OPTIONAL
);
```

### Parameters

*Time* A pointer to storage to receive a snapshot of the current time. Type **EFI\_TIME** is defined in “Related Definitions.”

*Capabilities* An optional pointer to a buffer to receive the real time clock device’s capabilities. Type **EFI\_TIME\_CAPABILITIES** is defined in “Related Definitions.”

### Related Definitions

```
/**
//*****
//EFI_TIME
//*****
// This represents the current time information
typedef struct {
    UINT16      Year;           // 1998 - 20XX
    UINT8       Month;         // 1 - 12
    UINT8       Day;          // 1 - 31
    UINT8       Hour;         // 0 - 23
    UINT8       Minute;       // 0 - 59
    UINT8       Second;       // 0 - 59
    UINT8       Pad1;
    UINT32      Nanosecond;    // 0 - 999,999,999
    INT16       TimeZone;     // -1440 to 1440 or 2047
    UINT8       Daylight;
    UINT8       Pad2;
} EFI_TIME;
```

```

//*****
// Bit Definitions for EFI_TIME.Daylight. See below.
//*****
#define EFI_TIME_ADJUST_DAYLIGHT      0x01
#define EFI_TIME_IN_DAYLIGHT          0x02

//*****
// Value Definition for EFI_TIME.TimeZone. See below.
//*****
#define EFI_UNSPECIFIED_TIMEZONE      0x07FF

```

*Year, Month, Day*            The current local date.

*Hour, Minute, Second, Nanosecond*

The current local time. Nanoseconds report the current fraction of a second in the device. The format of the time is *hh:mm:ss.nnnnnnnnn*. A battery backed real time clock device maintains the date and time.

*TimeZone*                    The time's offset in minutes from GMT. If the value is **EFI\_UNSPECIFIED\_TIMEZONE**, then the time is interpreted as a local time.

*Daylight*                    A bitmask containing the daylight savings time information for the time.

The **EFI\_TIME\_ADJUST\_DAYLIGHT** bit indicates if the time is affected by daylight savings time or not. This value does not indicate that the time has been adjusted for daylight savings time. It indicates only that it should be adjusted when the **EFI\_TIME** enters daylight savings time.

If **EFI\_TIME\_IN\_DAYLIGHT** is set, the time has been adjusted for daylight savings time.

All other bits must be zero.



```

//*****
// EFI_TIME_CAPABILITIES
//*****
// This provides the capabilities of the
// real time clock device as exposed through the EFI interfaces.
typedef struct {
    UINT32      Resolution;
    UINT32      Accuracy;
    BOOLEAN     SetsToZero;
} EFI_TIME_CAPABILITIES;

```

*Resolution* Provides the reporting resolution of the real-time clock device in counts per second. For a normal PC-AT CMOS RTC device, this value would be 1 Hz, or 1, to indicate that the device only reports the time to the resolution of 1 second.

*Accuracy* Provides the timekeeping accuracy of the real-time clock in an error rate of 1E-6 parts per million. For a clock with an accuracy of 50 parts per million, the value in this field would be 50,000,000.

*SetsToZero* A **TRUE** indicates that a time set operation clears the device's time below the *Resolution* reporting level. A **FALSE** indicates that the state below the *Resolution* level of the device is not cleared when the time is set. Normal PC-AT CMOS RTC devices set this value to **FALSE**.

## Description

The **GetTime()** function returns a time that was valid sometime during the call to the function. While the returned **EFI\_TIME** structure contains *TimeZone* and *Daylight* savings time information, the actual clock does not maintain these values. The current time zone and daylight saving time information returned by **GetTime()** are the values that were last set via **SetTime()**.

The **GetTime()** function should take approximately the same amount of time to read the time each time it is called. All reported device capabilities are to be rounded up.

During runtime, if a PC-AT CMOS device is present in the platform the caller must synchronize access to the device before calling **GetTime()**.

## Status Codes Returned

EFI_SUCCESS	The operation completed successfully.
EFI_INVALID_PARAMETER	<i>Time</i> is <b>NULL</b> .
EFI_DEVICE_ERROR	The time could not be retrieved due to a hardware error.

## SetTime()

### Summary

Sets the current local time and date information.

### Prototype

```
typedef
EFI_STATUS
SetTime (
    IN EFI_TIME          *Time
);
```

### Parameters

*Time* A pointer to the current time. Type **EFI\_TIME** is defined in the **GetTime()** function description. Full error checking is performed on the different fields of the **EFI\_TIME** structure (refer to the **EFI\_TIME** definition in the **GetTime()** function description for full details), and **EFI\_INVALID\_PARAMETER** is returned if any field is out of range.

### Description

The **SetTime()** function sets the real time clock device to the supplied time, and records the current time zone and daylight savings time information. The **SetTime()** function is not allowed to loop based on the current time. For example, if the device does not support a hardware reset for the sub-resolution time, the code is *not* to implement the feature by waiting for the time to wrap.

During runtime, if a PC-AT CMOS device is present in the platform the caller must synchronize access to the device before calling **SetTime()**.

### Status Codes Returned

EFI_SUCCESS	The operation completed successfully.
EFI_INVALID_PARAMETER	A time field is out of range.
EFI_DEVICE_ERROR	The time could not be set due to a hardware error.

## GetWakeupTime()

### Summary

Returns the current wakeup alarm clock setting.

### Prototype

```
typedef
EFI_STATUS
GetWakeupTime (
    OUT BOOLEAN    *Enabled,
    OUT BOOLEAN    *Pending,
    OUT EFI_TIME   *Time
);
```

### Parameters

*Enabled* Indicates if the alarm is currently enabled or disabled.

*Pending* Indicates if the alarm signal is pending and requires acknowledgement.

*Time* The current alarm setting. Type **EFI\_TIME** is defined in the [GetTime\(\)](#) function description.

### Description

The alarm clock time may be rounded from the set alarm clock time to be within the resolution of the alarm clock device. The resolution of the alarm clock device is defined to be one second.

During runtime, if a PC-AT CMOS device is present in the platform the caller must synchronize access to the device before calling **GetWakeupTime()**.

### Status Codes Returned

EFI_SUCCESS	The alarm settings were returned.
EFI_INVALID_PARAMETER	<i>Enabled</i> is <b>NULL</b> .
EFI_INVALID_PARAMETER	<i>Pending</i> is <b>NULL</b> .
EFI_INVALID_PARAMETER	<i>Time</i> is <b>NULL</b> .
EFI_DEVICE_ERROR	The wakeup time could not be retrieved due to a hardware error.
EFI_UNSUPPORTED	A wakeup timer is not supported on this platform.

## SetWakeupTime()

### Summary

Sets the system wakeup alarm clock time.

### Prototype

```
typedef
EFI_STATUS
SetWakeupTime (
    IN BOOLEAN      Enable,
    IN EFI_TIME     *Time           OPTIONAL
);
```

### Parameters

*Enable* Enable or disable the wakeup alarm.

*Time* If *Enable* is **TRUE**, the time to set the wakeup alarm for. Type **EFI\_TIME** is defined in the [GetTime\(\)](#) function description. If *Enable* is **FALSE**, then this parameter is optional, and may be **NULL**.

### Description

Setting a system wakeup alarm causes the system to wake up or power on at the set time. When the alarm fires, the alarm signal is latched until it is acknowledged by calling **SetWakeupTime()** to disable the alarm. If the alarm fires before the system is put into a sleeping or off state, since the alarm signal is latched the system will immediately wake up. If the alarm fires while the system is off and there is insufficient power to power on the system, the system is powered on when power is restored.

For an ACPI-aware operating system, this function only handles programming the wakeup alarm for the desired wakeup time. The operating system still controls the wakeup event as it normally would through the ACPI Power Management register set.

The resolution for the wakeup alarm is defined to be 1 second.

During runtime, if a PC-AT CMOS device is present in the platform the caller must synchronize access to the device before calling **SetWakeupTime()**.

### Status Codes Returned

EFI_SUCCESS	If <i>Enable</i> is <b>TRUE</b> , then the wakeup alarm was enabled. If <i>Enable</i> is <b>FALSE</b> , then the wakeup alarm was disabled.
EFI_INVALID_PARAMETER	A time field is out of range.
EFI_DEVICE_ERROR	The wakeup time could not be set due to a hardware error.
EFI_UNSUPPORTED	A wakeup timer is not supported on this platform.

## 7.3 Virtual Memory Services

This section contains function definitions for the virtual memory support that may be optionally used by an operating system at runtime. If an operating system chooses to make EFI runtime service calls in a virtual addressing mode instead of the flat physical mode, then the operating system must use the services in this section to switch the EFI runtime services from flat physical addressing to virtual addressing. Table 29 lists the virtual memory service functions described in this section. The system firmware must follow the processor-specific rules outlined in Sections 2.3.2 through 2.3.4 in the layout of the EFI memory map to enable the OS to make the required virtual mappings.

**Table 29. Virtual Memory Functions**

Name	Type	Description
SetVirtualAddressMap	Runtime	Used by an OS loader to convert from physical addressing to virtual addressing.
ConvertPointer	Runtime	Used by EFI components to convert internal pointers when switching to virtual addressing.

## SetVirtualAddressMap()

### Summary

Changes the runtime addressing mode of EFI firmware from physical to virtual.

### Prototype

```
typedef
EFI_STATUS
SetVirtualAddressMap (
    IN UINTN                MemoryMapSize,
    IN UINTN                DescriptorSize,
    IN UINT32              DescriptorVersion,
    IN EFI_MEMORY_DESCRIPTOR *VirtualMap
);
```

### Parameters

<i>MemoryMapSize</i>	The size in bytes of <i>VirtualMap</i> .
<i>DescriptorSize</i>	The size in bytes of an entry in the <i>VirtualMap</i> .
<i>DescriptorVersion</i>	The version of the structure entries in <i>VirtualMap</i> .
<i>VirtualMap</i>	An array of memory descriptors which contain new virtual address mapping information for all runtime ranges. Type <b>EFI_MEMORY_DESCRIPTOR</b> is defined in the <a href="#">GetMemoryMap()</a> function description.

### Description

The **SetVirtualAddressMap()** function is used by the OS loader. The function can only be called at runtime, and is called by the owner of the system's memory map. I.e., the component which called [ExitBootServices\(\)](#). All events of type **EVT\_SIGNAL\_VIRTUAL\_ADDRESS\_CHANGE** must be signaled before **SetVirtualAddressMap()** returns.

This call changes the addresses of the runtime components of the EFI firmware to the new virtual addresses supplied in the *VirtualMap*. The supplied *VirtualMap* must provide a new virtual address for every entry in the memory map at [ExitBootServices\(\)](#) that is marked as being needed for runtime usage. All of the virtual address fields in the *VirtualMap* must be aligned on 4 KB boundaries.

The call to **SetVirtualAddressMap()** must be done with the physical mappings. On successful return from this function, the system must then make any future calls with the newly assigned virtual mappings. All address space mappings must be done in accordance to the cacheability flags as specified in the original address map.

When this function is called, all events that were registered to be signaled on an address map change are notified. Each component that is notified must update any internal pointers for their new addresses. This can be done with the **ConvertPointer()** function. Once all events have been notified, the EFI firmware reapplies image “fix-up” information to virtually relocate all runtime images to their new addresses. In addition, all of the fields of the EFI Runtime Services Table except *SetVirtualAddressMap* and *ConvertPointer* must be converted from physical pointers to virtual pointers using the **ConvertPointer()** service. The **SetVirtualAddressMap()** and **ConvertPointer()** services are only callable in physical mode, so they do not need to be converted from physical pointers to virtual pointers. Several fields of the EFI System Table must be converted from physical pointers to virtual pointers using the **ConvertPointer()** service. These fields include *FirmwareVendor*, *RuntimeServices*, and *ConfigurationTable*. Because contents of both the EFI Runtime Services Table and the EFI System Table are modified by this service, the 32-bit CRC for the EFI Runtime Services Table and the EFI System Table must be recomputed.

A virtual address map may only be applied one time. Once the runtime system is in virtual mode, calls to this function return **EFI\_UNSUPPORTED**.

## Status Codes Returned

EFI_SUCCESS	The virtual address map has been applied.
EFI_UNSUPPORTED	EFI firmware is not at runtime, or the EFI firmware is already in virtual address mapped mode.
EFI_INVALID_PARAMETER	<i>DescriptorSize</i> or <i>DescriptorVersion</i> is invalid.
EFI_NO_MAPPING	A virtual address was not supplied for a range in the memory map that requires a mapping.
EFI_NOT_FOUND	A virtual address was supplied for an address that is not found in the memory map.

## ConvertPointer()

### Summary

Determines the new virtual address that is to be used on subsequent memory accesses.

### Prototype

```
typedef
EFI_STATUS
ConvertPointer (
    IN UINTN          DebugDisposition,
    IN VOID           **Address
);
```

### Parameters

<i>DebugDisposition</i>	Supplies type information for the pointer being converted. See “Related Definitions.”
<i>Address</i>	A pointer to a pointer that is to be fixed to be the value needed for the new virtual address mappings being applied.

### Related Definitions

```
/**
// *****
// EFI_OPTIONAL_PTR
// *****
#define EFI_OPTIONAL_PTR          0x00000001
```

### Description

The **ConvertPointer()** function is used by an EFI component during the **SetVirtualAddressMap()** operation. **ConvertPointer()** must be called using physical address pointers during the execution of **SetVirtualAddressMap()**.

The **ConvertPointer()** function updates the current pointer pointed to by *Address* to be the proper value for the new address map. Only runtime components need to perform this operation. The **CreateEvent()** function is used to create an event that is to be notified when the address map is changing. All pointers the component has allocated or assigned must be updated.

If the **EFI\_OPTIONAL\_PTR** flag is specified, the pointer being converted is allowed to be **NULL**.

Once all components have been notified of the address map change, firmware fixes any compiled in pointers that are embedded in any runtime image.



## Status Codes Returned

EFI_SUCCESS	The pointer pointed to by <i>Address</i> was modified.
EFI_NOT_FOUND	The pointer pointed to by <i>Address</i> was not found to be part of the current memory map. This is normally fatal.
EFI_INVALID_PARAMETER	<i>Address</i> is <b>NULL</b> .
EFI_INVALID_PARAMETER	* <i>Address</i> is <b>NULL</b> and <i>DebugDisposition</i> does not have the <b>EFI_OPTIONAL_PTR</b> bit set.

## 7.4 Miscellaneous Runtime Services

This section contains the remaining function definitions for runtime services not defined elsewhere but which are required to complete the definition of the EFI environment. Table 30 lists the Miscellaneous Runtime Services.

**Table 30. Miscellaneous Runtime Services**

Name	Type	Description
GetNextHighMonotonicCount	Runtime	Returns the next high 32 bits of the platform's monotonic counter.
ResetSystem	Runtime	Resets the entire platform.
UpdateCapsule	Runtime	Pass capsules to the firmware. The firmware may process the capsules immediately or return a value to be passed into <b>ResetSystem()</b> that will cause the capsule to be processed by the firmware as part of the reset process.
QueryCapsuleCapabilities	Runtime	Returns if the capsule can be supported via <b>UpdateCapsule()</b>

### 7.4.1 Reset System

This section describes the reset system runtime service and its associated data structures.

## ResetSystem()

### Summary

Resets the entire platform.

### Prototype

```
typedef
VOID
ResetSystem (
    IN EFI_RESET_TYPE    ResetType,
    IN EFI_STATUS         ResetStatus,
    IN UINTN              DataSize,
    IN VOID               *ResetData OPTIONAL
);
```

### Parameters

<i>ResetType</i>	The type of reset to perform. Type <b>EFI_RESET_TYPE</b> is defined in “Related Definitions” below.
<i>ResetStatus</i>	The status code for the reset. If the system reset is part of a normal operation, the status code would be <b>EFI_SUCCESS</b> . If the system reset is due to some type of failure the most appropriate EFI Status code would be used.
<i>DataSize</i>	The size, in bytes, of <i>ResetData</i> .
<i>ResetData</i>	For a <i>ResetType</i> of <b>EfiResetCold</b> , <b>EfiResetWarm</b> , or <b>EfiResetShutdown</b> the data buffer starts with a Null-terminated Unicode string, optionally followed by additional binary data. The string is a description that the caller may use to further indicate the reason for the system reset. <i>ResetData</i> is only valid if <i>ResetStatus</i> is something other than <b>EFI_SUCCESS</b> . This pointer must be a physical address. For a <i>ResetType</i> of <b>EfiRestUpdate</b> the data buffer also starts with a Null-terminated string that is followed by a physical VOID * to an <b>EFI_CAPSULE_HEADER</b> .

## Related Definitions

```
/** *****  
// EFI_RESET_TYPE  
/** *****  
typedef enum {  
    EfiResetCold,  
    EfiResetWarm,  
    EfiResetShutdown  
} EFI_RESET_TYPE;
```

## Description

The **ResetSystem()** function resets the entire platform, including all processors and devices, and reboots the system.

Calling this interface with *ResetType* of **EfiResetCold** causes a system-wide reset. This sets all circuitry within the system to its initial state. This type of reset is asynchronous to system operation and operates without regard to cycle boundaries. **EfiResetCold** is tantamount to a system power cycle.

Calling this interface with *ResetType* of **EfiResetWarm** causes a system-wide initialization. The processors are set to their initial state, and pending cycles are not corrupted. If the system does not support this reset type, then an **EfiResetCold** must be performed.

Calling this interface with *ResetType* of **EfiResetShutdown** causes the system to enter a power state equivalent to the ACPI G2/S5 or G3 states. If the system does not support this reset type, then when the system is rebooted, it should exhibit the **EfiResetCold** attributes. If the ACPI S5 state is supported on the system, then this reset type should not be used.

The platform may optionally log the parameters from any non-normal reset that occurs.

The **ResetSystem()** function does not return.

### 7.4.2 GetNextHighMonotonic Count

This section describes the GetNextHighMonotonicCount runtime service and its associated data structures.

## GetNextHighMonotonicCount()

### Summary

Returns the next high 32 bits of the platform's monotonic counter.

### Prototype

```
typedef
EFI_STATUS
GetNextHighMonotonicCount (
    OUT UINT32          *HighCount
);
```

### Parameters

*HighCount*            Pointer to returned value.

### Description

The **GetNextHighMonotonicCount()** function returns the next high 32 bits of the platform's monotonic counter.

The platform's monotonic counter is comprised of two 32-bit quantities: the high 32 bits and the low 32 bits. During boot service time the low 32-bit value is volatile: it is reset to zero on every system reset and is increased by 1 on every call to **GetNextMonotonicCount()**. The high 32-bit value is nonvolatile and is increased by 1 whenever the system resets or whenever the low 32-bit count (returned by **GetNextMonotonicCount()**) overflows.

The **GetNextMonotonicCount()** function is only available at boot services time. If the operating system wishes to extend the platform monotonic counter to runtime, it may do so by utilizing **GetNextHighMonotonicCount()**. To do this, before calling **ExitBootServices()** the operating system would call **GetNextMonotonicCount()** to obtain the current platform monotonic count. The operating system would then provide an interface that returns the next count by:

- Adding 1 to the last count.
- Before the lower 32 bits of the count overflows, call **GetNextHighMonotonicCount()**. This will increase the high 32 bits of the platform's nonvolatile portion of the monotonic count by 1.

This function may only be called at Runtime.

## Status Codes Returned

EFI_SUCCESS	The next high monotonic count was returned.
EFI_DEVICE_ERROR	The device is not functioning properly.
EFI_INVALID_PARAMETER	<i>HighCount</i> is <b>NULL</b> .

### 7.4.3 Update Capsule

This runtime function allows a caller to pass information to the firmware. Update Capsule is commonly used to update the firmware FLASH or for an operating system to have information persist across a system reset.

## UpdateCapsule()

### Summary

Passes capsules to the firmware with both virtual and physical mapping. Depending on the intended consumption, the firmware may process the capsule immediately. If the payload should persist across a system reset, the reset value returned from *EFI\_QueryCapsuleCapabilities* must be passed into **ResetSystem()** and will cause the capsule to be processed by the firmware as part of the reset process.

### Prototype

```
typedef
EFI_STATUS
UpdateCapsule (
    IN EFI_CAPSULE_HEADER    **CapsuleHeaderArray,
    IN UINTN                  CapsuleCount,
    IN EFI_PHYSICAL_ADDRESS  ScatterGatherList    OPTIONAL
);
```

### Parameters

<i>CapsuleHeaderArray</i>	Virtual pointer to an array of virtual pointers to the capsules being passed into update capsule. Each capsules is assumed to stored in contiguous virtual memory. The capsules in the <i>CapsuleHeaderArray</i> must be the same capsules as the <i>ScatterGatherList</i> . The <i>CapsuleHeaderArray</i> must have the capsules in the same order as the <i>ScatterGatherList</i> .
<i>CapsuleCount</i>	Number of pointers to <b>EFI_CAPSULE_HEADER</b> in <i>CapsuleHeaderArray</i> .
<i>ScatterGatherList</i>	Physical pointer to a set of <b>EFI_CAPSULE_BLOCK_DESCRIPTOR</b> that describes the location in physical memory of a set of capsules. See Related Definitions for an explanation of how more than one capsule is passed via this interface. The capsules in the <i>ScatterGatherList</i> must be in the same order as the <i>CapsuleHeaderArray</i> . This parameter is only referenced if the capsules are defined to persist across system reset.

## Related Definitions

```
typedef struct (  
    UINT64                               Length;  
    union {  
        EFI_PHYSICAL_ADDRESS             DataBlock;  
        EFI_PHYSICAL_ADDRESS             ContinuationPointer;  
    }  
) EFI_CAPSULE_BLOCK_DESCRIPTOR;
```

*Length* Length in bytes of the data pointed to by *DataBlock/ContinuationPointer*.

*DataBlock* Physical address of the data block. This member of the union is used if *Length* is not equal to zero.

*ContinuationPointer* Physical address of another block of **EFI\_CAPSULE\_BLOCK\_DESCRIPTOR** structures. This member of the union is used if *Length* is equal to zero. If *ContinuationPointer* is zero this entry represents the end of the list.

This data structure defines the *ScatterGatherList* list the OS passes to the firmware. *ScatterGatherList* represents an array of structures and is terminated with a structure member whose *Length* is 0 and *DataBlock* physical address is 0. If *Length* is 0 and *DataBlock* physical address is not 0, the specified physical address is known as a “continuation pointer” and it points to a further list of **EFI\_CAPSULE\_BLOCK\_DESCRIPTOR** structures. A continuation pointer is used to allow the scatter gather list to be contained in physical memory that is not contiguous. It also is used to allow more than a single capsule to be passed at one time.

```

typedef struct {
    EFI_GUID           CapsuleGuid;
    UINT32             HeaderSize;
    UINT32             Flags;
    UINT32             CapsuleImageSize;
} EFI_CAPSULE_HEADER;

```

<i>CapsuleGuid</i>	A GUID that defines the contents of a capsule.
<i>HeaderSize</i>	The size of the capsule header. This may be larger than the size of the <b>EFI_CAPSULE_HEADER</b> since <i>CapsuleGuid</i> may imply extended header entries.
<i>Flags</i>	Bit-mapped list describing the capsule attributes. The Flag values of 0x0000 – 0xFFFF are defined by <i>CapsuleGuid</i> . Flag values of 0x10000 – 0xFFFFFFFF are defined by this specification
<i>CapsuleImageSize</i>	Size in bytes of the capsule.

```

#define CAPSULE_FLAGS_PERSIST_ACROSS_RESET    0x00010000
#define CAPSULE_FLAGS_POPULATE_SYSTEM_TABLE  0x00020000

```

## Description

The **UpdateCapsule ()** function allows the operating system to pass information to firmware. The **UpdateCapsule ()** function supports passing capsules in operating system virtual memory back to firmware. Each capsule is contained in a contiguous virtual memory range in the operating system, but both a virtual and physical mapping for the capsules are passed to the firmware.

If a capsule has the **CAPSULE\_FLAGS\_PERSIST\_ACROSS\_RESET** *Flag* set in its header, the firmware will process the capsules after system reset. The caller must ensure to reset the system using the required reset value obtained from **QueryCapsuleCapabilities**. If this flag is not set, the firmware will process the capsules immediately.

If a capsule has the **CAPSULE\_FLAGS\_POPULATE\_SYSTEM\_TABLE** *Flag* set in its header in addition to **CAPSULE\_FLAGS\_PERSIST\_ACROSS\_RESET** then the firmware must place a pointer to this capsule in the EFI System Table after the system has been reset. The EFI System Table entry must use the GUID from the *CapsuleGuid* field of the **EFI\_CAPSULE\_HEADER**. The EFI System Table entry must point to an array of capsules that contain the same *CapsuleGuid* value. The array must be prefixed by a **UINT32** that represents the size of the array of capsules.

The set of capsules is pointed to by *ScatterGatherList* and *CapsuleHeaderArray* so the firmware will know both the physical and virtual addresses of the operating system allocated buffers. The scatter-gather list supports the situation where the virtual address range of a capsules is contiguous, but the physical address are not. See 6.1.1 for more complete definition of capsule construction.



## Status Codes Returned

EFI_SUCCESS	Valid capsule was passed.   Valid capsule was passed. If CAPSULE_FLAGS_PERSIST_ACROSS_RESET is not set, the capsule has been successfully processed by the firmware.
EFI_INVALID_PARAMETER	<i>CapsuleSize</i> is <b>NULL</b> .
EFI_DEVICE_ERROR	The capsule update was started, but failed due to a device error.

### 7.4.3.1 Capsule Definition

A capsule is simply a contiguous set of data that starts with an **EFI\_CAPSULE\_HEADER**. The *CapsuleGuid* field in the header defines the format of the capsule.

The capsule contents are designed to be communicated from an OS-present environment to the system firmware. To allow capsules to persist across system reset, a level of indirection is required for the description of a capsule, since the OS primarily uses virtual memory and the firmware at boot time uses physical memory. This level of abstraction is accomplished via the **EFI\_CAPSULE\_BLOCK\_DESCRIPTOR**. The **EFI\_CAPSULE\_BLOCK\_DESCRIPTOR** allows the OS to allocate contiguous virtual address space and describe this address space to the firmware as a discontinuous set of physical address ranges. The firmware is passed both physical and virtual addresses and pointers to describe the capsule so the firmware can process the capsule immediately or defer processing of the capsule until after a system reset.

In most instruction sets and OS architecture, allocation of physical memory is possible only on a “page” granularity (which can range for 4 KB to at least 1 MB). The **EFI\_CAPSULE\_BLOCK\_DESCRIPTOR** must have the following properties to ensure the safe and well defined transition of the data:

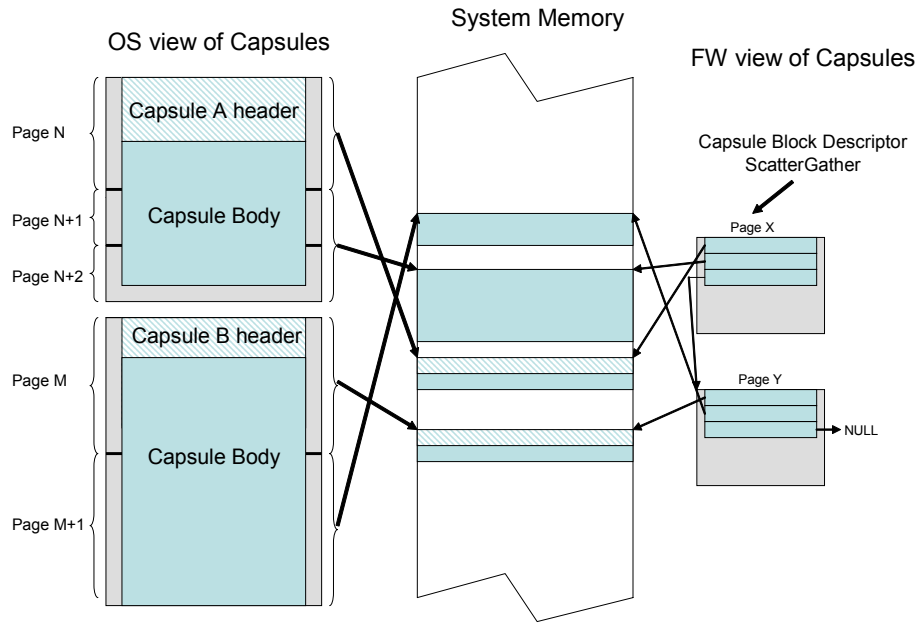
- Each new capsule must start on a new page of memory.
- All pages except for the last must be completely filled by the capsule.
  - It is legal to pad the header to make it consume an entire page of data to enable the passing of page aligned data structures via a capsule. The last page must have at least one byte of capsule in it.
- Pages must be naturally aligned
- Pages may not overlap on another
- Firmware may never make an assumption about the page sizes the operating system is using.

Multiple capsules can be concatenated together and passed via a single call to **UpdateCapsule ()**. The physical address description of capsules are concatenated by converting the terminating **EFI\_CAPSULE\_BLOCK\_DESCRIPTOR** entry of the 1<sup>st</sup> capsule into a continuation pointer by making it point to the **EFI\_CAPSULE\_BLOCK\_DESCRIPTOR** that represents the start of the 2<sup>nd</sup> capsule. There is only a single terminating **EFI\_CAPSULE\_BLOCK\_DESCRIPTOR** entry and it is at the end of the last capsule in the chain.

The following algorithm must be used to find multiple capsules in a single scatter gather list:

- Look at the capsule header to determine the size of the capsule
  - The first Capsule header is always pointed to by the first **EFI\_CAPSULE\_BLOCK\_DESCRIPTOR** entry
- Walk the **EFI\_CAPSULE\_BLOCK\_DESCRIPTOR** list keeping a running count of the size each entry represents.
- If the **EFI\_CAPSULE\_BLOCK\_DESCRIPTOR** entry is a continuation pointer and the running current capsule size count is greater than or equal to the size of the current capsule this is the start of the next capsule.
- Make the new capsules the current capsule and repeat the algorithm.

Figure 19 shows a Scatter-Gather list of **EFI\_CAPSULE\_BLOCK\_DESCRIPTOR** structures that describes two capsules. The left side of the figure shows OS view of the capsules as two separate contiguous virtual memory buffers. The center of the figure shows the layout of the data in system memory. The right hand side of the figure shows the *ScatterGatherList* list passed into the firmware. Since there are two capsules two independent **EFI\_CAPSULE\_BLOCK\_DESCRIPTOR** lists exist that were joined together via a continuation pointer in the first list.



**Figure 19. Scatter-Gather List of **EFI\_CAPSULE\_BLOCK\_DESCRIPTOR** Structures**

## QueryCapsuleCapabilities()

### Summary

Returns if the capsule can be supported via **UpdateCapsule()**.

### Prototype

```
typedef
EFI_STATUS
QueryCapsuleCapabilities (
    IN EFI_CAPSULE_HEADER    **CapsuleHeaderArray,
    IN UINTN                  CapsuleCount,
    OUT UINT64                 *MaximumCapsuleSize,
    OUT EFI_RESET_TYPE        *ResetType
);
```

<i>CapsuleHeaderArray</i>	Virtual pointer to an array of virtual pointers to the capsules being passed into update capsule. The capsules are assumed to be stored in contiguous virtual memory.
<i>CapsuleCount</i>	Number of pointers to <b>EFI_CAPSULE_HEADER</b> in <i>CapsuleHeaderArray</i> .
<i>MaximumCapsuleSize</i>	On output the maximum size that <b>UpdateCapsule()</b> can support as an argument to <b>UpdateCapsule()</b> via <i>CapsuleHeaderArray</i> and <i>ScatterGatherList</i> . Undefined on input.
<i>ResetType</i>	Returns the type of reset required for the capsule update. Undefined on input.

### Description

The **QueryCapsuleCapabilities()** function allows a caller to test to see if a capsule or capsules can be updated via **UpdateCapsule()**. The Flags values in the capsule header and size of the entire capsule is checked.

If the caller needs to query for generic capsule capability a fake **EFI\_CAPSULE\_HEADER** can be constructed where *CapsuleImageSize* is equal to *HeaderSize* that is equal to sizeof (**EFI\_CAPSULE\_HEADER**). To determine reset requirements, **CAPSULE\_FLAGS\_PERSIST\_ACROSS\_RESET** should be set in the *Flags* field of the **EFI\_CAPSULE\_HEADER**.

The firmware must support any capsule that has the **CAPSULE\_FLAGS\_PERSIST\_ACROSS\_RESET** flag set in **EFI\_CAPSULE\_HEADER**. The firmware sets the policy for what capsules are supported that do not have the **CAPSULE\_FLAGS\_PERSIST\_ACROSS\_RESET** flag set.

## Status Codes Returned

EFI_SUCCESS	Valid answer returned.
EFI_INVALID_PARAMETER	<i>MaximumCapsuleSize</i> is <b>NULL</b> .
EFI_UNSUPPORTED	The capsule type is not supported on this platform, and <i>MaximumCapsuleSize</i> and <i>ResetType</i> are undefined.

## Protocols — EFI Loaded Image

---

This chapter defines **EFI\_LOADED\_IMAGE\_PROTOCOL**. This protocol describes an Image that has been loaded into memory. This description includes the source from which the image was loaded, the current location of the image in memory, the type of memory allocated for the image, and the parameters passed to the image when it was invoked.

### EFI\_LOADED\_IMAGE\_PROTOCOL

#### Summary

Can be used on any image handle to obtain information about the loaded image.

#### GUID

```
#define EFI_LOADED_IMAGE_PROTOCOL_GUID \
    {0x5B1B31A1, 0x9562, 0x11d2, 0x8E, 0x3F, 0x00, 0xA0, 0xC9, 0x69, \
     0x72, 0x3B}
```

#### Revision Number

```
#define EFI_LOADED_IMAGE_PROTOCOL_REVISION 0x1000
```

#### Protocol Interface Structure

```
typedef struct {
    UINT32                Revision;
    EFI_HANDLE            ParentHandle;
    EFI_SYSTEM_TABLE     *SystemTable;

    // Source location of the image
    EFI_HANDLE            DeviceHandle;
    EFI_DEVICE_PATH_PROTOCOL *FilePath;
    VOID                 *Reserved;

    // Image's load options
    UINT32                LoadOptionsSize;
    VOID                 *LoadOptions;
}
```

```

// Location where image was loaded
VOID                *ImageBase;
UINT64              ImageSize;
EFI_MEMORY_TYPE     ImageCodeType;
EFI_MEMORY_TYPE     ImageDataType;

EFI_IMAGE_UNLOAD    Unload;
} EFI_LOADED_IMAGE_PROTOCOL;

```

## Parameters

<i>Revision</i>	Defines the revision of the <b>EFI_LOADED_IMAGE_PROTOCOL</b> structure. All future revisions will be backward compatible to the current revision.
<i>ParentHandle</i>	Parent image's image handle. <b>NULL</b> if the image is loaded directly from the firmware's boot manager. Type <b>EFI_HANDLE</b> is defined in Chapter 6.
<i>SystemTable</i>	The image's EFI system table pointer. Type <b>EFI_SYSTEM_TABLE</b> is defined in Section 4.3
<i>DeviceHandle</i>	The device handle that the EFI Image was loaded from. Type <b>EFI_HANDLE</b> is defined in Chapter 6.
<i>FilePath</i>	A pointer to the file path portion specific to <i>DeviceHandle</i> that the EFI Image was loaded from. <b>EFI_DEVICE_PATH_PROTOCOL</b> is defined in Section 9.2.
<i>Reserved</i>	Reserved. DO NOT USE.
<i>LoadOptionsSize</i>	The size in bytes of <i>LoadOptions</i> .
<i>LoadOptions</i>	A pointer to the image's binary load options.
<i>ImageBase</i>	The base address at which the image was loaded.
<i>ImageSize</i>	The size in bytes of the loaded image.
<i>ImageCodeType</i>	The memory type that the code sections were loaded as. Type <b>EFI_MEMORY_TYPE</b> is defined in Chapter 6.
<i>ImageDataType</i>	The memory type that the data sections were loaded as. Type <b>EFI_MEMORY_TYPE</b> is defined in Chapter 6.
<i>Unload</i>	Function that unloads the image. See <b>Unload()</b> .

## Description

Each loaded image has an image handle that supports **EFI\_LOADED\_IMAGE\_PROTOCOL**. When an image is started, it is passed the image handle for itself. The image can use the handle to obtain its relevant image data stored in the **EFI\_LOADED\_IMAGE\_PROTOCOL** structure, such as its load options.

## EFI\_LOADED\_IMAGE.Unload()

### Summary

Unloads an image from memory.

### Prototype

```
typedef
EFI_STATUS
(EFIAPI *EFI_UNLOAD_IMAGE) (
    IN EFI_HANDLE    ImageHandle,
    );
```

### Parameters

*ImageHandle*            The handle to the image to unload. Type **EFI\_HANDLE** is defined in Section 6.3.1.

### Description

The **Unload()** function unloads an image from memory if *ImageHandle* is valid.

### Status Codes Returned

EFI_SUCCESS	The image was unloaded.
EFI_INVALID_PARAMETER	The <i>ImageHandle</i> was not valid.



## Protocols — Device Path Protocol

---

This chapter contains the definition of the device path protocol and the information needed to construct and manage device paths in the UEFI environment. A device path is constructed and used by the firmware to convey the location of important devices, such as the boot device and console, consistent with the software-visible topology of the system.

### 9.1 Device Path Overview

A *Device Path* is used to define the programmatic path to a device. The primary purpose of a Device Path is to allow an application, such as an OS loader, to determine the physical device that the interfaces are abstracting.

A collection of device paths is usually referred to as a name space. ACPI, for example, is rooted around a name space that is written in ASL (ACPI Source Language). Given that EFI does not replace ACPI and defers to ACPI when ever possible, it would seem logical to utilize the ACPI name space in EFI. However, the ACPI name space was designed for usage at operating system runtime and does not fit well in platform firmware or OS loaders. Given this, EFI defines its own name space, called a *Device Path*.

A Device Path is designed to make maximum leverage of the ACPI name space. One of the key structures in the Device Path defines the linkage back to the ACPI name space. The Device Path also is used to fill in the gaps where ACPI defers to buses with standard enumeration algorithms. The Device Path is able to relate information about which device is being used on buses with standard enumeration mechanisms. The Device Path is also used to define the location on a medium where a file should be, or where it was loaded from. A special case of the Device Path can also be used to support the optional booting of legacy operating systems from legacy media.

The Device Path was designed so that the OS loader and the operating system could tell which devices the platform firmware was using as boot devices. This allows the operating system to maintain a view of the system that is consistent with the platform firmware. An example of this is a “headless” system that is using a network connection as the boot device and console. In such a case, the firmware will convey to the operating system the network adapter and network protocol information being used as the console and boot device in the device path for these devices.

## 9.2 EFI Device Path Protocol

This section provides a detailed description of `EFI_DEVICE_PATH_PROTOCOL`.

### EFI\_DEVICE\_PATH\_PROTOCOL

#### Summary

Can be used on any device handle to obtain generic path/location information concerning the physical device or logical device. If the handle does not logically map to a physical device, the handle may not necessarily support the device path protocol. The device path describes the location of the device the handle is for. The size of the Device Path can be determined from the structures that make up the Device Path.

#### GUID

```
#define EFI_DEVICE_PATH_PROTOCOL_GUID \
    {0x09576e91, 0x6d3f, 0x11d2, 0x8e39, 0x00, 0xa0, 0xc9, 0x69, 0x72, \
     0x3b}
```

#### Protocol Interface Structure

```
/**
 * EFI_DEVICE_PATH_PROTOCOL
 */
typedef struct _EFI_DEVICE_PATH_PROTOCOL {
    UINT8      Type;
    UINT8      SubType;
    UINT8      Length[2];
} EFI_DEVICE_PATH_PROTOCOL;
```

#### Description

The executing EFI Image may use the device path to match its own device drivers to the particular device. Note that the executing UEFI OS loader and UEFI application images must access all physical devices via Boot Services device handles until `ExitBootServices()` is successfully called. A UEFI driver may access only a physical device for which it provides functionality.

## 9.3 Device Path Nodes

There are six major types of Device Path nodes:

- **Hardware Device Path.** This Device Path defines how a device is attached to the resource domain of a system, where resource domain is simply the shared memory, memory mapped I/O, and I/O space of the system.
- **ACPI Device Path.** This Device Path is used to describe devices whose enumeration is not described in an industry-standard fashion. These devices must be described using ACPI AML in the ACPI name space; this Device Path is a linkage to the ACPI name space.
- **Messaging Device Path.** This Device Path is used to describe the connection of devices outside the resource domain of the system. This Device Path can describe physical messaging information (e.g., a SCSI ID) or abstract information (e.g., networking protocol IP addresses).
- **Media Device Path.** This Device Path is used to describe the portion of a medium that is being abstracted by a boot service. For example, a Media Device Path could define which partition on a hard drive was being used.
- **BIOS Boot Specification Device Path.** This Device Path is used to point to boot legacy operating systems; it is based on the BIOS Boot Specification Version 1.01. Refer to the References appendix for details on obtaining this specification.
- **End of Hardware Device Path.** Depending on the Sub-Type, this Device Path node is used to indicate the end of the Device Path instance or Device Path structure.

### 9.3.1 Generic Device Path Structures

A Device Path is a variable-length binary structure that is made up of variable-length generic Device Path nodes. Table 31 defines the structure of a variable-length generic Device Path node and the lengths of its components. The table defines the type and sub-type values corresponding to the Device Paths described in Section 9.3; all other type and sub-type values are *Reserved*.

**Table 31. Generic Device Path Node Structure**

Mnemonic	Byte Offset	Byte Length	Description
Type	0	1	Type 0x01 – Hardware Device Path Type 0x02 – ACPI Device Path Type 0x03 – Messaging Device Path Type 0x04 – Media Device Path Type 0x05 – BIOS Boot Specification Device Path Type 0x7F – End of Hardware Device Path
Sub-Type	1	1	Sub-Type – Varies by Type. (See Table 32.)
Length	2	2	Length of this structure in bytes. Length is 4 + <i>n</i> bytes.
Specific Device Path Data	4	<i>n</i>	Specific Device Path data. Type and Sub-Type define type of data. Size of data is included in Length.

A Device Path is a series of generic Device Path nodes. The first Device Path node starts at byte offset zero of the Device Path. The next Device Path node starts at the end of the previous Device Path node. Therefore all nodes are byte-packed data structures that may appear on any byte boundary. All code references to device path notes must assume all fields are unaligned. Since every Device Path node contains a length field in a known place, it is possible to traverse Device Path nodes that are of an unknown type. There is no limit to the number, type, or sequence of nodes in a Device Path.

A Device Path is terminated by an End of Hardware Device Path node. This type of node has two sub-types (see Table 32):

- *End This Instance of a Device Path* (sub-type 0x01). This type of node terminates one Device Path instance and denotes the start of another. This is only required when an environment variable represents multiple devices. An example of this would be the **ConsoleOut** environment variable that consists of both a VGA console and serial output console. This variable would describe a console output stream that is sent to both VGA and serial concurrently and thus has a Device Path that contains two complete Device Paths.
- *End Entire Device Path* (sub-type 0xFF). This type of node terminates an entire Device Path. Software searches for this sub-type to find the end of a Device Path. All Device Paths must end with this sub-type.

**Table 32. Device Path End Structure**

Mnemonic	Byte Offset	Byte Length	Description
Type	0	1	Type 0x7F – End of Hardware Device Path
Sub-Type	1	1	Sub-Type 0xFF – End Entire Device Path, or Sub-Type 0x01 – End This Instance of a Device Path and start a new Device Path
Length	2	2	Length of this structure in bytes. Length is 4 bytes.

## 9.3.2 Hardware Device Path

This Device Path defines how a device is attached to the resource domain of a system, where resource domain is simply the shared memory, memory mapped I/O, and I/O space of the system. It is possible to have multiple levels of Hardware Device Path such as a PCCARD device that was attached to a PCCARD PCI controller.

### 9.3.2.1 PCI Device Path

The Device Path for PCI defines the path to the PCI configuration space address for a PCI device. There is one PCI Device Path entry for each device and function number that defines the path from the root PCI bus to the device. Because the PCI bus number of a device may potentially change, a flat encoding of single PCI Device Path entry cannot be used. An example of this is when a PCI device is behind a bridge, and one of the following events occurs:

- OS performs a Plug and Play configuration of the PCI bus.
- A hot plug of a PCI device is performed.
- The system configuration changes between reboots.

The PCI Device Path entry must be preceded by an ACPI Device Path entry that uniquely identifies the PCI root bus. The programming of root PCI bridges is not defined by any PCI specification and this is why an ACPI Device Path entry is required.

**Table 33. PCI Device Path**

Mnemonic	Byte Offset	Byte Length	Description
Type	0	1	Type 1 – Hardware Device Path
Sub-Type	1	1	Sub-Type 1 – PCI
Length	2	2	Length of this structure is 6 bytes
Function	4	1	PCI Function Number
Device	5	1	PCI Device Number

### 9.3.2.2 PCCARD Device Path

**Table 34. PCCARD Device Path**

Mnemonic	Byte Offset	Byte Length	Description
Type	0	1	Type 1 – Hardware Device Path
Sub-Type	1	1	Sub-Type 2 – PCCARD
Length	2	2	Length of this structure in bytes. Length is 5 bytes.
Function Number	4	1	Function Number (0 = First Function)

### 9.3.2.3 Memory Mapped Device Path

**Table 35. Memory Mapped Device Path**

Mnemonic	Byte Offset	Byte Length	Description
Type	0	1	Type 1 – Hardware Device Path.
Sub-Type	1	1	Sub-Type 3 – Memory Mapped.
Length	2	2	Length of this structure in bytes. Length is 24 bytes.
Memory Type	4	4	<b>EFI_MEMORY_TYPE</b> . Type <b>EFI_MEMORY_TYPE</b> is defined in the <a href="#">AllocatePages()</a> function description.
Start Address	8	8	Starting Memory Address.
End Address	16	8	Ending Memory Address.

### 9.3.2.4 Vendor Device Path

The Vendor Device Path allows the creation of vendor-defined Device Paths. A vendor must allocate a Vendor GUID for a Device Path. The Vendor GUID can then be used to define the contents on the  $n$  bytes that follow in the Vendor Device Path node.

**Table 36. Vendor-Defined Device Path**

Mnemonic	Byte Offset	Byte Length	Description
Type	0	1	Type 1 – Hardware Device Path.
Sub-Type	1	1	Sub-Type 4 – Vendor.
Length	2	2	Length of this structure in bytes. Length is 20 + $n$ bytes.
Vendor_GUID	4	16	Vendor-assigned GUID that defines the data that follows.
Vendor Defined Data	20	$n$	Vendor-defined variable size data.

### 9.3.2.5 Controller Device Path

**Table 37. Controller Device Path**

Mnemonic	Byte Offset	Byte Length	Description
Type	0	1	Type 1 – Hardware Device Path.
Sub-Type	1	1	Sub-Type 5 – Controller.
Length	2	2	Length of this structure in bytes. Length is 8 bytes.
Controller Number	4	4	Controller number.

### 9.3.3 ACPI Device Path

This Device Path contains ACPI Device IDs that represent a device's Plug and Play Hardware ID and its corresponding unique persistent ID. The ACPI IDs are stored in the ACPI \_HID, \_CID, and \_UID device identification objects that are associated with a device. The ACPI Device Path contains values that must match exactly the ACPI name space that is provided by the platform firmware to the operating system. Refer to the ACPI specification for a complete description of the \_HID, \_CID, and \_UID device identification objects.

The \_HID and \_CID values are optional device identification objects that appear in the ACPI name space. If only \_HID is present, the \_HID must be used to describe any device that will be enumerated by the ACPI driver. The \_CID, if present, contains information that is important for the OS to attach generic driver (e.g., PCI Bus Driver), while the \_HID contains information important for the OS to attach device-specific driver. The ACPI bus driver only enumerates a device when no standard bus enumerator exists for a device.

The \_UID object provides the OS with a serial number-style ID for a device that does not change across reboots. The object is optional, but is required when a system contains two devices that report the same \_HID. The \_UID only needs to be unique among all device objects with the same \_HID value. If no \_UID exists in the ACPI name space for a \_HID the value of zero must be stored in the \_UID field of the ACPI Device Path.

The ACPI Device Path is only used to describe devices that are not defined by a Hardware Device Path. An \_HID (along with \_CID if present) is required to represent a PCI root bridge, since the PCI specification does not define the programming model for a PCI root bridge. There are two subtypes of the ACPI Device Path: a simple subtype that only includes the \_HID and \_UID fields, and an extended subtype that includes the \_HID, \_CID, and \_UID fields.

The ACPI Device Path node only supports numeric 32-bit values for the \_HID and \_UID values. The Expanded ACPI Device Path node supports both numeric and string values for the \_HID, \_UID, and \_CID values. As a result, the ACPI Device Path node is smaller and should be used if possible to reduce the size of device paths that may potentially be stored in nonvolatile storage. If a string value is required for the \_HID field, or a string value is required for the \_UID field, or a \_CID field is required, then the Expanded ACPI Device Path node must be used. If a string field of the Expanded ACPI Device Path node is present, then the corresponding numeric field is ignored.

The \_HID and \_CID fields in the ACPI Device Path node and Expanded ACPI Device Path node are stored as a 32-bit compressed EISA-type IDs. The following macro can be used to compute these EISA-type IDs from a Plug and Play Hardware ID. The Plug and Play Hardware IDs used to compute the \_HID and \_CID fields in the EFI device path nodes must match the Plug and Play Hardware IDs used to build the matching entries in the ACPI tables. The compressed EISA-type IDs produced by this macro differ from the compressed EISA-type IDs stored in ACPI tables. As a result, the compressed EISA-type IDs from the ACPI Device Path nodes cannot be directly compared to the compressed EISA-type IDs from the ACPI table.

```
#define EFI_PNP_ID(ID) (UINT32)((ID) << 16 | 0x41D0)
#define EISA_PNP_ID(ID) EFI_PNP_ID(ID)
```

**Table 38. ACPI Device Path**

Mnemonic	Byte Offset	Byte Length	Description
Type	0	1	Type 2 – ACPI Device Path.
Sub-Type	1	1	Sub-Type 1 ACPI Device Path.
Length	2	2	Length of this structure in bytes. Length is 12 bytes.
_HID	4	4	Device's PnP hardware ID stored in a numeric 32-bit compressed EISA-type ID. This value must match the corresponding _HID in the ACPI name space.
_UID	8	4	Unique ID that is required by ACPI if two devices have the same _HID. This value must also match the corresponding _UID/_HID pair in the ACPI name space. Only the 32-bit numeric value type of _UID is supported; thus strings must not be used for the _UID in the ACPI name space.

**Table 39. Expanded ACPI Device Path**

Mnemonic	Byte Offset	Byte Length	Description
Type	0	1	Type 2 – ACPI Device Path.
Sub-Type	1	1	Sub-Type 2 Expanded ACPI Device Path.
Length	2	2	Length of this structure in bytes. Minimum length is 19 bytes. The actual size will depend on the size of the _HIDSTR, _UIDSTR, and _CIDSTR fields.
_HID	4	4	Device's PnP hardware ID stored in a numeric 32-bit compressed EISA-type ID. This value must match the corresponding _HID in the ACPI name space.
_UID	8	4	Unique ID that is required by ACPI if two devices have the same _HID. This value must also match the corresponding _UID/_HID pair in the ACPI name space.
_CID	12	4	Device's compatible PnP hardware ID stored in a numeric 32-bit compressed EISA-type ID. This value must match at least one of the compatible device IDs returned by the corresponding _CID in the ACPI name space.
_HIDSTR	16	>=1	Device's PnP hardware ID stored as a null-terminated ASCII string. This value must match the corresponding _HID in the ACPI name space. If the length of this string not including the null-terminator is 0, then the _HID field is used. If the length of this null-terminated string is greater than 0, then this field supersedes the _HID field.



<b>Mnemonic</b>	<b>Byte Offset</b>	<b>Byte Length</b>	<b>Description</b>
_UIDSTR	Varies	>=1	Unique ID that is required by ACPI if two devices have the same _HID. This value must also match the corresponding _UID/_HID pair in the ACPI name space. This value is stored as a null-terminated ASCII string. If the length of this string not including the null-terminator is 0, then the _UID field is used. If the length of this null-terminated string is greater than 0, then this field supersedes the _UID field. The Byte Offset of this field can be computed by adding 16 to the size of the _HIDSTR field.
_CIDSTR	Varies	>=1	Device's compatible PnP hardware ID stored as a null-terminated ASCII string. This value must match at least one of the compatible device IDs returned by the corresponding _CID in the ACPI name space. If the length of this string not including the null-terminator is 0, then the _CID field is used. If the length of this null-terminated string is greater than 0, then this field supersedes the _CID field. The Byte Offset of this field can be computed by adding 16 to the sum of the sizes of the _HIDSTR and _UIDSTR fields.

### 9.3.4 ACPI \_ADR Device Path

The \_ADR device path is used to contain video output device attributes to support the Graphics Output Protocol. The device path can contain multiple \_ADR entries if multiple video output devices are displaying the same output.

**Table 40 ACPI \_ADR Device Path**

6. Mnemonic	7. Byte Offset	8. Byte Length	9. Description
<b>10. Type</b>	<b>11. 0</b>	<b>12. 1</b>	<b>13. Type 2 – ACPI Device Path</b>
<b>14. Sub-Type</b>	<b>15. 1</b>	<b>16. 1</b>	<b>17. Sub-Type3 _ADR Device Path</b>
<b>18. Length</b>	<b>19. 2</b>	<b>20. 2</b>	<b>21. Length of this structure in bytes. Minimum length is 8.</b>
<b>22. _ADR</b>	<b>23. 4</b>	<b>24. 4</b>	<b>25. _ADR value. For video output devices the value of this field comes from Table B-2 ACPI 3.0 specification. At least one _ADR value is required</b>
<b>26. Additional _ADR</b>	<b>27. 8</b>	<b>28. N</b>	<b>29. This device path may optionally contain more than one _ADR entry.</b>

### 9.3.5 Messaging Device Path

This Device Path is used to describe the connection of devices outside the resource domain of the system. This Device Path can describe physical messaging information like SCSI ID or abstract information like networking protocol IP addresses.

#### 9.3.5.1 ATAPI Device Path

Table 41. ATAPI Device Path

Mnemonic	Byte Offset	Byte Length	Description
Type	0	1	Type 3 – Messaging Device Path
Sub-Type	1	1	Sub-Type 1 – ATAPI
Length	2	2	Length of this structure in bytes. Length is 8 bytes.
PrimarySecondary	4	1	Set to zero for primary or one for secondary
SlaveMaster	5	1	Set to zero for master or one for slave mode
Logical Unit Number	6	2	Logical Unit Number

#### 9.3.5.2 SCSI Device Path

Table 42. SCSI Device Path

Mnemonic	Byte Offset	Byte Length	Description
Type	0	1	Type 3 – Messaging Device Path
Sub-Type	1	1	Sub-Type 2 – SCSI
Length	2	2	Length of this structure in bytes. Length is 8 bytes.
Target ID	4	2	Target ID on the SCSI bus (PUN)
Logical Unit Number	6	2	Logical Unit Number ( LUN)

#### 9.3.5.3 Fibre Channel Device Path

Table 43. Fibre Channel Device Path

Mnemonic	Byte Offset	Byte Length	Description
Type	0	1	Type 3 – Messaging Device Path
Sub-Type	1	1	Sub-Type 3 – Fibre Channel
Length	2	2	Length of this structure in bytes. Length is 24 bytes.
Reserved	4	4	Reserved
World Wide Number	8	8	Fibre Channel World Wide Number
Logical Unit Number	16	8	Fibre Channel Logical Unit Number

### 9.3.5.4 1394 Device Path

**Table 44. 1394 Device Path**

Mnemonic	Byte Offset	Byte Length	Description
Type	0	1	Type 3 – Messaging Device Path
Sub-Type	1	1	Sub-Type 4 – 1394
Length	2	2	Length of this structure in bytes. Length is 16 bytes.
Reserved	4	4	Reserved
GUID <sup>1</sup>	8	8	1394 Global Unique ID (GUID) <sup>1</sup>

Note: <sup>1</sup>The usage of the term GUID is per the 1394 specification. This is not the same as the **EFI\_GUID** type defined in the EFI Specification.

### 9.3.5.5 USB Device Paths

**Table 45. USB Device Path**

Mnemonic	Byte Offset	Byte Length	Description
Type	0	1	Type 3 – Messaging Device Path
Sub-Type	1	1	Sub-Type 5 – USB
Length	2	2	Length of this structure in bytes. Length is 6 bytes.
USB Parent Port Number	4	1	USB Parent Port Number
Interface	5	1	USB Interface Number

### 9.3.5.5.1 USB Device Path Example

Table 46 shows an example device path for a USB controller on a desktop platform. This USB Controller is connected to the port 0 of the root hub, and its interface number is 0. The USB Host Controller is a PCI device whose PCI device number 0x1F and PCI function 0x02. So, the whole device path for this USB Controller consists an ACPI Device Path Node, a PCI Device Path Node, a USB Device Path Node and a Device Path End Structure. The `_HID` and `_UID` must match the ACPI table description of the PCI Root Bridge. The shorthand notation for this device path is:

`PciRoot(0)/PCI(31,2)/USB(0,0)`.

**Table 46. USB Device Path Examples**

Byte Offset	Byte Length	Data	Description
0x00	0x01	0x02	<b>Generic Device Path Header</b> – Type ACPI Device Path
0x01	0x01	0x01	Sub type – ACPI Device Path
0x02	0x02	0x0C	Length – 0x0C bytes
0x04	0x04	0x41D0, 0x0A03	<code>_HID</code> PNP0A03 – 0x41D0 represents a compressed string ‘PNP’ and is in the low order bytes
0x08	0x04	0x0000	<code>_UID</code>
0x0C	0x01	0x01	<b>Generic Device Path Header</b> – Type Hardware Device Path
0x0D	0x01	0x01	Sub type – PCI
0x0E	0x02	0x06	Length – 0x06 bytes
0x10	0x01	0x1F	PCI Function
0x11	0x01	0x02	PCI Device
0x12	0x01	0x03	<b>Generic Device Path Header</b> – Type Message Device Path
0x13	0x01	0x05	Sub type – USB
0x14	0x02	0x06	Length – 0x06 bytes
0x16	0x01	0x00	Parent Hub Port Number
0x17	0x01	0x00	Controller Interface Number
0x18	0x01	0xFF	<b>Generic Device Path Header</b> – Type End of Hardware Device Path
0x19	0x01	0xFF	Sub type – End of Entire Device Path
0x1A	0x02	0x04	Length – 0x04 bytes

Another example is a USB Controller (interface number 0) that is connected to port 3 of a USB Hub Controller (interface number 0), and this USB Hub Controller is connected to the port 1 of the root hub. The shorthand notation for this device path is:

**PciRoot (0) / PCI (31, 2) / USB (1, 0) / USB (3, 0).**

Table 47 shows the device path for this USB Controller.

**Table 47. Another USB Device Path Example**

Byte Offset	Byte Length	Data	Description
0x00	0x01	0x02	<b>Generic Device Path Header</b> – Type ACPI Device Path
0x01	0x01	0x01	Sub type – ACPI Device Path
0x02	0x02	0x0C	Length – 0x0C bytes
0x04	0x04	0x41D0, 0x0A03	_HID PNP0A03 – 0x41D0 represents a compressed string ‘PNP’ and is in the low order bytes.
0x08	0x04	0x0000	_UID
0x0C	0x01	0x01	<b>Generic Device Path Header</b> – Type Hardware Device Path
0x0D	0x01	0x01	Sub type – PCI
0x0E	0x02	0x06	Length – 0x06 bytes
0x10	0x01	0x1F	PCI Function
0x11	0x01	0x02	PCI Device
0x12	0x01	0x03	<b>Generic Device Path Header</b> – Type Message Device Path
0x13	0x01	0x05	Sub type – USB
0x14	0x02	0x06	Length – 0x06 bytes
0x16	0x01	0x01	Parent Hub Port Number
0x17	0x01	0x00	Controller Interface Number
0x18	0x01	0x03	<b>Generic Device Path Header</b> – Type Message Device Path
0x19	0x01	0x05	Sub type – USB
0x1A	0x02	0x06	Length – 0x06 bytes
0x1C	0x01	0x03	Parent Hub Port Number
0x1D	0x01	0x00	Controller Interface Number
0x1E	0x01	0xFF	<b>Generic Device Path Header</b> – Type End of Hardware Device Path
0x1F	0x01	0xFF	Sub type – End of Entire Device Path
0x20	0x02	0x04	Length – 0x04 bytes

### 9.3.5.6 USB Device Paths (WWID)

This device path describes a USB device using its serial number.

Specifications, such as the USB Mass Storage class, bulk-only transport subclass, require that some portion of the suffix of the device's serial number be unique with respect to the vendor and product id for the device. So, in order to avoid confusion and overlap of WWID's, the interface's class, subclass, and protocol are included.

**Table 48. USB WWID Device Path**

Mnemonic	Byte Offset	Byte Length	Description
Type	0	1	Type 3 - Messaging Device Path
Sub-Type	1	1	Sub-Type 16– USB WWID
Length	2	2	Length of this structure in bytes. Length is 10+
• Interface Number	4	2	USB interface number
• Device Vendor Id	6	2	USB vendor id of the device
• Device Product Id	8	2	USB product id of the device
• Serial Number	10	<i>n</i>	Last 64-or-fewer UTF-16 characters of the USB serial number. The length of the string is determined by the <i>Length</i> field less the offset of the <i>Serial Number</i> field (10)

Devices that do not have a serial number string must use with the USB Device Path (type 5) as described in Section 9.3.5.5.

Including the interface as part of this node allows distinction for multi-interface devices, e.g., an HID interface and a Mass Storage interface on the same device, or two Mass Storage interfaces.

### 9.3.5.7 Device Logical Unit

For some classes of devices, such as USB Mass Storage, it is necessary to specify the Logical Unit Number (LUN), since a single device may have multiple logical units. In order to boot from one of these logical units of the device, the Device Logical Unit device node is appended to the device path. The EFI path node subtype is defined, as in Table 50.

**Table 49. Device Logical Unit**

Mnemonic	Byte Offset	Byte Length	Description
Type	0	1	Type 3 - Messaging Device Path
Sub-Type	1	1	Sub-Type 17 – Device Logical unit
Length	2	2	Length of this structure in bytes. Length is 5
LUN	4	1	Logical Unit Number for the interface

### 9.3.5.8 USB Device Path (Class)

**Table 50. USB Class Device Path**

Mnemonic	Byte Offset	Byte Length	Description
Type	0	1	Type 3 - Messaging Device Path.
Sub-Type	1	1	Sub-Type 15 - USB Class.
Length	2	2	Length of this structure in bytes. Length is 11 bytes.
Vendor ID	4	2	Vendor ID assigned by USB-IF. A value of 0xFFFF will match any Vendor ID.
Product ID	6	2	Product ID assigned by USB-IF. A value of 0xFFFF will match any Product ID.
Device Class	8	1	The class code assigned by the USB-IF. A value of 0xFF will match any class code.
Device Subclass	9	1	The subclass code assigned by the USB-IF. A value of 0xFF will match any subclass code.
Device Protocol	10	1	The protocol code assigned by the USB-IF. A value of 0xFF will match any protocol code.

### 9.3.5.9 I<sub>2</sub>O Device Path

**Table 51. I<sub>2</sub>O Device Path**

Mnemonic	Byte Offset	Byte Length	Description
Type	0	1	Type 3 – Messaging Device Path
Sub-Type	1	1	Sub-Type 6 – I2O Random Block Storage Class
Length	2	2	Length of this structure in bytes. Length is 8 bytes.
TID	4	4	Target ID (TID) for a device

### 9.3.5.10 MAC Address Device Path

**Table 52. MAC Address Device Path**

Mnemonic	Byte Offset	Byte Length	Description
Type	0	1	Type 3 – Messaging Device Path
Sub-Type	1	1	Sub-Type 11 – MAC Address for a network interface
Length	2	2	Length of this structure in bytes. Length is 37 bytes.
MAC Address	4	32	The MAC address for a network interface padded with 0s
IfType	36	1	Network interface type(i.e. 802.3, FDDI). See RFC 1700

### 9.3.5.11 IPv4 Device Path

**Table 53. IPv4 Device Path**

<b>Mnemonic</b>	<b>Byte Offset</b>	<b>Byte Length</b>	<b>Description</b>
Type	0	1	Type 3 – Messaging Device Path
Sub-Type	1	1	Sub-Type 12 – IPv4
Length	2	2	Length of this structure in bytes. Length is 19 bytes.
Local IP Address	4	4	The local IPv4 address
Remote IP Address	8	4	The remote IPv4 address
Local Port	12	2	The local port number
Remote Port	14	2	The remote port number
Protocol	16	2	The network protocol(i.e. UDP, TCP). See RFC 1700
StaticIPAddress	18	1	0x00 - The Source IP Address was assigned though DHCP 0x01 - The Source IP Address is statically bound

### 9.3.5.12 IPv6 Device Path

**Table 54. IPv6 Device Path**

<b>Mnemonic</b>	<b>Byte Offset</b>	<b>Byte Length</b>	<b>Description</b>
Type	0	1	Type 3 – Messaging Device Path
Sub-Type	1	1	Sub-Type 13 – IPv6
Length	2	2	Length of this structure in bytes. Length is 43 bytes.
Local IP Address	4	16	The local IPv6 address
Remote IP Address	20	16	The remote IPv6 address
Local Port	36	2	The local port number
Remote Port	38	2	The remote port number
Protocol	40	2	The network protocol (i.e. UDP, TCP). See RFC 1700
StaticIPAddress	42	1	0x00 - The Source IP Address was assigned though DHCP 0x01 - The Source IP Address is statically bound



### 9.3.5.13 InfiniBand Device Path

**Table 55. InfiniBand Device Path**

Mnemonic	Byte Offset	Byte Length	Description
Type	0	1	Type 3 – Messaging Device Path
Sub-Type	1	1	Sub-Type 9 – InfiniBand
Length	2	2	Length of this structure in bytes. Length is 48 bytes.
Resource Flags	4	4	Flags to help identify/manage InfiniBand device path elements: <ul style="list-style-type: none"> <li>• Bit 0 – IOC/Service (0b = IOC, 1b = Service)</li> <li>• Bit 1 – Extend Boot Environment</li> <li>• Bit 2 – Console Protocol</li> <li>• Bit 3 – Storage Protocol</li> <li>• Bit 4 – Network Protocol</li> </ul> All other bits are reserved.
PORT GUID	8	16	128-bit Global Identifier for remote fabric port
IOC GUID/Service ID	24	8	64-bit unique identifier to remote IOC or server process. Interpretation of field specified by Resource Flags (bit 0)
Target Port ID	32	8	64-bit persistent ID of remote IOC port
Device ID	40	8	64-bit persistent ID of remote device

Note: The usage of the terms GUID and GID is per the InfiniBand Specification. The term GUID is not the same as the **EFI\_GUID** type defined in this EFI Specification.

### 9.3.5.14 UART Device Path

**Table 56. UART Device Path**

Mnemonic	Byte Offset	Byte Length	Description
Type	0	1	Type 3 – Messaging Device Path
Sub-Type	1	1	Sub-Type 14 – UART
Length	2	2	Length of this structure in bytes. Length is 19 bytes.
Reserved	4	4	Reserved
Baud Rate	8	8	The baud rate setting for the UART style device. A value of 0 means that the device's default baud rate will be used.
Data Bits	16	1	The number of data bits for the UART style device. A value of 0 means that the device's default number of data bits will be used.
Parity	17	1	The parity setting for the UART style device. Parity 0x00 - Default Parity Parity 0x01 - No Parity Parity 0x02 - Even Parity Parity 0x03 - Odd Parity Parity 0x04 - Mark Parity Parity 0x05 - Space Parity
Stop Bits	18	1	The number of stop bits for the UART style device. Stop Bits 0x00 - Default Stop Bits Stop Bits 0x01 - 1 Stop Bit Stop Bits 0x02 - 1.5 Stop Bits Stop Bits 0x03 - 2 Stop Bits

### 9.3.5.15 Vendor-Defined Messaging Device Path

**Table 57. Vendor-Defined Messaging Device Path**

Mnemonic	Byte Offset	Byte Length	Description
Type	0	1	Type 3 – Messaging Device Path
Sub-Type	1	1	Sub-Type 10 – Vendor
Length	2	2	Length of this structure in bytes. Length is 20 + <i>n</i> bytes.
Vendor GUID	4	16	Vendor-assigned GUID that defines the data that follows
Vendor Defined Data	20	<i>n</i>	Vendor-defined variable size data

The following GUIDs are used with a Vendor-Defined Messaging Device Path to describe the transport protocol for use with PC-ANSI, VT-100, VT-100+, and VT-UTF8 terminals. Device paths can be constructed with this node as the last node in the device path. The rest of the device path describes the physical device that is being used to transmit and receive data. The PC-ANSI, VT-100, VT-100+, and VT-UTF8 GUIDs define the format of the data that is being sent though the physical device. Additional GUIDs can be generated to describe additional transport protocols.

```

#define EFI_PC_ANSI_GUID \
    { 0xe0c14753, 0xf9be, 0x11d2, 0x9a, 0x0c, 0x00, 0x90, 0x27, 0x3f, 0xc1, 0x4d }

#define EFI_VT_100_GUID \
    { 0xdfa66065, 0xb419, 0x11d3, 0x9a, 0x2d, 0x00, 0x90, 0x27, 0x3f, 0xc1, 0x4d }

#define EFI_VT_100_PLUS_GUID \
    { 0x7baec70b, 0x57e0, 0x4c76, 0x8e, 0x87, 0x2f, 0x9e, 0x28, 0x08, 0x83, 0x43 }

#define EFI_VT_UTF8_GUID \
    { 0xad15a0d6, 0x8bec, 0x4acf, 0xa0, 0x73, 0xd0, 0x1d, 0xe7, 0x7e, 0x2d, 0x88 }

```

### 9.3.5.16 UART Flow Control Messaging Path

The UART messaging device path defined in the EFI 1.02 specification does not contain a provision for flow control. Therefore, a new device path node is needed to declare flow control characteristics. It is a vendor-defined messaging node which may be appended to the UART node in a device path. It has the following definition:

```

#define DEVICE_PATH_MESSAGING_UART_FLOW_CONTROL \
    { 0X37499A9D, 0X542F, 0X4C89, 0XA0, 0X26, 0X35, 0XDA, 0X14, 0X20, 0X94, 0XE4 }

```

**Table 58. UART Flow Control Messaging Device Path**

Mnemonic	Byte Offset	Byte Length	Description
Type	0	1	Type 3 – Messaging Device Path
Sub-Type	1	1	Sub-Type 10 – Vendor
Length	2	2	Length of this structure in bytes. Length is 24 bytes.
Vendor GUID	4	16	<b>DEVICE_PATH_MESSAGING_UART_FLOW_CONTROL</b>
Flow_Control_Map	20	4	Bitmap of supported flow control types. Bit 0 set indicates hardware flow control. Bit 1 set indicates Xon/Xoff flow control. All other bits are reserved and are clear.

A debugport driver that implements Xon/Xoff flow control would produce a device path similar to the following:

```

ACPI(PciRootBridge)/Pci(0x1f,0)/ACPI(PNP0501,0)/UART(115200,n,8,1)
/UartFlowCtrl(2)/DebugPort()

```

#### NOTE

*If no bits are set in the Flow\_Control\_Map, this indicates there is no flow control and is equivalent to leaving the flow control node out of the device path completely.*

### 9.3.5.17 Serial Attached SCSI (SAS) Device Path

This section defines the device node for Serial Attached SCSI (SAS) devices.

**Table 59. Messaging Device Path Structure**

Mnemonic	Byte Offset	Byte Length	Description
Type	0	1	Type -3 Messaging
Sub Type	1	1	10 ( Vendor)
Length	2	2	Length of this Structure.
Vendor GUID	4	16	d487ddb4-008b-11d9-afdc-001083ffca4d
Reserved	20	4	Reserved for future use.
SAS Address	24	8	SAS Address for Serial Attached SCSI Target.
Logical Unit Number	32	8	SAS Logical Unit Number.
SAS/SATA device and Topology Info	40	2	More Information about the device and its interconnect
Relative Target Port	42	2	Relative Target Port (RTP)

#### Summary

The device node represented by the structure in Table 59 (above) shall be appended after the Hardware Device Path node in the device path.

There are two cases for boot devices connected with SAS HBA's. Each of the cases is described below with an example of the expected Device Path for these.

1. SAS Device anywhere in an SAS domain accessed through SSP Protocol.

- a. **PciRoot (0) / PCI (1, 0) / Sas (0x21000004CF13F6BD, 0)**

The first 64-bit number represents the SAS address of the target SAS device.

The second number is the boot LUN of the target SAS device.

The third number is the Relative Target Port (RTP)

2. SATA Device connected directly to a HBA port.

- a. **PciRoot (0) / PCI (1, 0) / Sas (0x21000004CF13F6BD)**

The first number represents either a real SAS address reserved by the HBA for above connections, or a fake but unique SAS address generated by the HBA to represent the SATA device.

#### 9.3.5.17.1 Device and Topology Information

First Byte (At offset 40 into the structure):

Bits 0:3:

Value 0x0 -> No Additional Information about device topology.

Value 0x1 -> More Information about device topology valid in this byte.

Value 0x2 -> More Information about device topology valid in this and next 1 byte.

Values 0x3 thru 0xF -> Reserved.

Bits 4:5: Device Type ( Valid only if the More Information field above is non-zero)

Value 0x0 -> SAS Internal Device

Value 0x1 -> SATA Internal Device

Value 0x2 -> SAS External Device

Value 0x3 -> SATA External Device

Bits 6:7: Topology / Interconnect (Valid only if the More Information field above is non-zero)

Value 0x0 -> Direct Connect (Connected directly with the HBA Port/Phy)

Value 0x1 -> Expander Connect (Connected thru/via one or more Expanders)

Value 0x2 and 0x3 > Reserved

### 9.3.5.17.2 Device and Topology Information

Second Byte (At offset 41 into the structure). Valid only if bits 0-3 of More Information in Byte 36 have a value of 2:

Bits 0-7: Internal Drive/Bay Id (Only applicable if Internal Drive is indicated in Device Type)

Value 0x0 thru 0xFF -> Drive 1 thru Drive 256

### 9.3.5.17.3 Relative Target Port

At offset 42 into the structure:

This two-byte field shall contain the “Relative Target Port” of the target SAS port. Relative Target Port can be obtained by performing an INQUIRY command to VPD page 0x83 in the target. Implementation of RTP is mandatory for SAS targets as defined in Section 10.2.10 of sas1r07 specification (or later).

#### NOTE

---

*If a LUN is seen thru multiple RTPs in a given target, then the UEFI driver shall create separate device path instances for both paths. RTP in the device path shall distinguish these two device path instantiations.*

---

## NOTE

---

*Changing the values of the SAS/SATA device topology information or the RTP fields of the device path will make UEFI think this is a different device.*

---

### 9.3.5.17.4 Examples Of Correct Device Path Display Format

**Case 1: When Additional Information is not Valid or Not Present (Bits 0:3 of Byte 40 have a value of 0)**

**PciRoot (0) /PCI (1,0) /SAS (0x21000004CF13F6BD, 0)**

**Case 2: When Additional Information is Valid and present (Bits 0:3 of Byte 40 have a value of 1 or 2)**

1. If Bits 4-5 of Byte 40 (Device and Topology information) indicate an SAS device (Internal or External) i.e., has values 0x0 or 0x2, then the following format shall be used.

**PciRoot (0) /PCI (1,0) /SAS (0x21000004CF13F6BD, 0, SAS)**

2. If Bits 4-5 of Byte 40 (Device and Topology information) indicate a SATA device (Internal or External) i.e., has a value of 0x1 or 0x3, then the following format shall be used.

**ACPI (PnP) /PCI (1,0) /SAS (0x21000004CF13F6BD, SATA)**

### 9.3.5.18 iSCSI Device Path

**Table 60. iSCSI Device Path Node (Base Information)**

Mnemonic	Byte Offset	Byte Length	Description
Type	0	1	Type 3 – Messaging Device Path
Sub-Type	1	1	Sub-Type 19 – (iSCSI)
Length	2	2	Length of this structure in bytes. Length is (22 + n) bytes
Protocol	4	2	Network Protocol (0 = TCP, 1+ = reserved)
Options	6	2	iSCSI Login Options
Reserved	8	2	Reserved for future use
Target Portal group tag	10	2	iSCSI Target Portal group tag the initiator intends to establish a session with.
Logical Unit Number	12	8	SCSI Logical Unit Number
iSCSI Target Name	20	n	iSCSI NodeTarget Name. The length of the name is determined by subtracting the offset of this field from <i>Length</i> .

#### 9.3.5.18.1 iSCSI Login Options

The iSCSI Device Node Options describe the iSCSI login options for the key values:

Bits 0:1:

0 = No Header Digest

2 = Header Digest Using CRC32C

Bits 2-3:

0 = No Data Digest

2 = Data Digest Using CRC32C

Bits 4:9

Reserved for future use

Bits 10-11:

0 = AuthMethod\_CHAP

2 = AuthMethod\_None

Bit 12:

0 = CHAP\_BI

1 = CHAP\_UNI

For each specific login key, none, some or all of the defined values may be configured. If none of the options are defined for a specific key, the iSCSI driver shall propose “None” as the value. If more than one option is configured for a specific key, all the configured values will be proposed (ordering of the values is implementation dependent).

- Portal Group Tag: defines the iSCSI portal group the initiator intends to establish Session with.
- Logical Unit Number: defines the 64 bit SCSI LUN.
- iSCSI Target Name Length: defines the length in bytes of the iSCSI Target Name
- iSCSI Target Name: defines the iSCSI Target Name for the iSCSI Node. The size of the iSCSI Target Name can be up to a maximum of 223 bytes.

### 9.3.5.18.2 Device Path Examples

Some examples for the Device Path for the case the boot device connected to iSCSI bootable controller:

1. With IPv4 configuration:

*PciRoot(0)/PCI(2,0)/MAC(...)/IPv4(...)/iSCSI(iSCSITargetName, PortalGroupTag, LUN)*

2. With IPv6 configuration:

*ACPI(PnP)/PCI(2,0)/MAC(...)/IPv6(...)/iSCSI(iSCSITargetName, PortalGroupTag, LUN)*

### 9.3.6 Media Device Path

This Device Path is used to describe the portion of the medium that is being abstracted by a boot service. An example of Media Device Path would be defining which partition on a hard drive was being used.



### 9.3.6.1 Hard Drive

The Hard Drive Media Device Path is used to represent a partition on a hard drive. Each partition has at least Hard Drive Device Path node, each describing an entry in a partition table. EFI supports MBR and GPT partitioning formats. Partitions are numbered according to their entry in their respective partition table, starting with 1. Partitions are addressed in EFI starting at LBA zero. A partition number of zero can be used to represent the raw hard drive or a raw extended partition.

The partition format is stored in the Device Path to allow new partition formats to be supported in the future. The Hard Drive Device Path also contains a Disk Signature and a Disk Signature Type. The disk signature is maintained by the OS and only used by EFI to partition Device Path nodes. The disk signature enables the OS to find disks even after they have been physically moved in a system.

**Table 61. Hard Drive Media Device Path**

Mnemonic	Byte Offset	Byte Length	Description
Type	0	1	Type 4 – Media Device Path
Sub-Type	1	1	Sub-Type 1 – Hard Drive
Length	2	2	Length of this structure in bytes. Length is 42 bytes.
Partition Number	4	4	Describes the entry in a partition table, starting with entry 1. Partition number zero represents the entire device. Valid partition numbers for a MBR partition are [1, 4]. Valid partition numbers for a GPT partition are [1, NumberOfPartitionEntries].
Partition Start	8	8	Starting LBA of the partition on the hard drive
Partition Size	16	8	Size of the partition in units of Logical Blocks
Partition Signature	24	16	Signature unique to this partition
Partition Format	40	1	Partition Format: (Unused values reserved) 0x01 – PC-AT compatible legacy MBR (see Section 5.2.1). Partition Start and Partition Size come from <code>PartitionStartingLBA</code> and <code>PartitionSizeInLBA</code> for the partition. 0x02 – GUID Partition Table (see Section 5.3.2).
Signature Type	41	1	Type of Disk Signature: (Unused values reserved) 0x00 – No Disk Signature. 0x01 – 32-bit signature from address 0x1b8 of the type 0x01 MBR. 0x02 – GUID signature.

### 9.3.6.2 CD-ROM Media Device Path

The CD-ROM Media Device Path is used to define a system partition that exists on a CD-ROM. The CD-ROM is assumed to contain an ISO-9660 file system and follow the CD-ROM “El Torito” format. The Boot Entry number from the Boot Catalog is how the “El Torito” specification defines the existence of bootable entities on a CD-ROM. In EFI the bootable entity is an EFI System Partition that is pointed to by the Boot Entry.

**Table 62. CD-ROM Media Device Path**

Mnemonic	Byte Offset	Byte Length	Description
Type	0	1	Type 4 – Media Device Path.
Sub-Type	1	1	Sub-Type 2 – CD-ROM “El Torito” Format.
Length	2	2	Length of this structure in bytes. Length is 24 bytes.
Boot Entry	4	4	Boot Entry number from the Boot Catalog. The Initial/Default entry is defined as zero.
Partition Start	8	8	Starting RBA of the partition on the medium. CD-ROMs use Relative logical Block Addressing.
Partition Size	16	8	Size of the partition in units of Blocks, also called Sectors.

### 9.3.6.3 Vendor-Defined Media Device Path

**Table 63. Vendor-Defined Media Device Path**

Mnemonic	Byte Offset	Byte Length	Description
Type	0	1	Type 4 – Media Device Path.
Sub-Type	1	1	Sub-Type 3 – Vendor.
Length	2	2	Length of this structure in bytes. Length is 20 + <i>n</i> bytes.
Vendor GUID	4	16	Vendor-assigned GUID that defines the data that follows.
Vendor Defined Data	20	<i>n</i>	Vendor-defined variable size data.

### 9.3.6.4 File Path Media Device Path

**Table 64. File Path Media Device Path**

Mnemonic	Byte Offset	Byte Length	Description
Type	0	1	Type 4 – Media Device Path.
Sub-Type	1	1	Sub-Type 4 – File Path.
Length	2	2	Length of this structure in bytes. Length is 4 + $n$ bytes.
Path Name	4	$n$	Unicode Path string including directory and file names. The length of this string $n$ can be determined by subtracting 4 from the Length entry. A device path may contain one or more of these nodes. The complete path to a file can be found by concatenating all the File Path Media Device Path nodes. This is typically used to describe the directory path in one node, and the filename in another node.

### 9.3.6.5 Media Protocol Device Path

The Media Protocol Device Path is used to denote the protocol that is being used in a device path at the location of the path specified. Many protocols are inherent to the style of device path.

**Table 65. Media Protocol Media Device Path**

Mnemonic	Byte Offset	Byte Length	Description
Type	0	1	Type 4 – Media Device Path.
Sub-Type	1	1	Sub-Type 5 – Media Protocol.
Length	2	2	Length of this structure in bytes. Length is 20 bytes.
Protocol GUID	4	16	The ID of the protocol.

#### NOTE

---

*Sub-Type 6 is reserved for future use*

---

### 9.3.7 BIOS Boot Specification Device Path

This Device Path is used to describe the booting of non-EFI-aware operating systems. This Device Path is based on the IPL and BCV table entry data structures defined in Appendix A of the *BIOS Boot Specification*. The BIOS Boot Specification Device Path defines a complete Device Path and is not used with other Device Path entries. This Device Path is only needed to enable platform firmware to select a legacy non-EFI OS as a boot option.

**Table 66. BIOS Boot Specification Device Path**

Mnemonic	Byte Offset	Byte Length	Description
Type	0	1	Type 5 – BIOS Boot Specification Device Path.
Sub-Type	1	1	Sub-Type 1 – BIOS Boot Specification Version 1.01.
Length	2	2	Length of this structure in bytes. Length is 8 + $n$ bytes.
Device Type	4	2	Device Type as defined by the BIOS Boot Specification.
Status Flag	6	2	Status Flags as defined by the BIOS Boot Specification
Description String	8	$n$	ASCIIZ string that describes the boot device to a user. The length of this string $n$ can be determined by subtracting 8 from the Length entry.

Example BIOS Boot Specification Device Types include:

- 00h = Reserved
- 01h = Floppy
- 02h = Hard Disk
- 03h = CD-ROM
- 04h = PCMCIA
- 05h = USB
- 06h = Embedded network
- 07h..7Fh = Reserved
- 80h = BEV device
- 81h..FEh = Reserved
- FFh = Unknown

## 9.4 Device Path Generation Rules

### 9.4.1 Housekeeping Rules

The Device Path is a set of Device Path nodes. The Device Path must be terminated by an End of Device Path node with a sub-type of End the Entire Device Path. A NULL Device Path consists of a single End Device Path Node. A Device Path that contains a NULL pointer and no Device Path structures is illegal.

All Device Path nodes start with the generic Device Path structure. Unknown Device Path types can be skipped when parsing the Device Path since the length field can be used to find the next Device Path structure in the stream. Any future additions to the Device Path structure types will always start with the current standard header. The size of a Device Path can be determined by traversing the generic Device Path structures in each header and adding up the total size of the Device Path. This size will include the four bytes of the End of Device Path structure.

Multiple hardware devices may be pointed to by a single Device Path. Each hardware device will contain a complete Device Path that is terminated by the Device Path End Structure. The Device Path End Structures that do not end the Device Path contain a sub-type of End This Instance of the Device Path. The last Device Path End Structure contains a sub-type of End Entire Device Path.

### 9.4.2 Rules with ACPI \_HID and \_UID

As described in the ACPI specification, ACPI supports several different kinds of device identification objects, including \_HID, \_CID and \_UID. The \_UID device identification objects are optional in ACPI and only required if more than one \_HID exists with the same ID. The ACPI Device Path structure must contain a zero in the \_UID field if the ACPI name space does not implement \_UID. The \_UID field is a unique serial number that persists across reboots.

If a device in the ACPI name space has a \_HID and is described by a \_CRS (Current Resource Setting) then it should be described by an ACPI Device Path structure. A \_CRS implies that a device is not mapped by any other standard. A \_CRS is used by ACPI to make a nonstandard device into a Plug and Play device. The configuration methods in the ACPI name space allow the ACPI driver to configure the device in a standard fashion. The presence of a \_CID determines whether the ACPI Device Path node or the Expanded ACPI Device Path node should be used.

Table 67 maps ACPI \_CRS devices to EFI Device Path.

**Table 67. ACPI \_CRS to EFI Device Path Mapping**

ACPI _CRS Item	EFI Device Path
PCI Root Bus	ACPI Device Path: _HID PNP0A03, _UID
Floppy	ACPI Device Path: _HID PNP0604, _UID drive select encoding 0-3
Keyboard	ACPI Device Path: _HID PNP0301, _UID 0
Serial Port	ACPI Device Path: _HID PNP0501, _UID Serial Port COM number 0-3
Parallel Port	ACPI Device Path: _HID PNP0401, _UID LPT number 0-3

Support of root PCI bridges requires special rules in the EFI Device Path. A root PCI bridge is a PCI device usually contained in a chipset that consumes a proprietary bus and produces a PCI bus. In typical desktop and mobile systems there is only one root PCI bridge. On larger server systems there are typically multiple root PCI bridges. The operation of root PCI bridges is not defined in any current PCI specification. A root PCI bridge should not be confused with a PCI to PCI bridge that both consumes and produces a PCI bus. The operation and configuration of PCI to PCI bridges is fully specified in current PCI specifications.

Root PCI bridges will use the plug and play ID of PNP0A03, This will be stored in the ACPI Device Path `_HID` field, or in the Expanded ACPI Device Path `_CID` field to match the ACPI name space. The `_UID` in the ACPI Device Path structure must match the `_UID` in the ACPI name space.

### 9.4.3 Rules with ACPI `_ADR`

If a device in the ACPI name space can be completely described by a `_ADR` object then it will map to an EFI ACPI, Hardware, or Message Device Path structure. A `_ADR` method implies a bus with a standard enumeration algorithm. If the ACPI device has a `_ADR` and a `_CRS` method, then it should also have a `_HID` method and follow the rules for using `_HID`.

Table 68 relates the ACPI `_ADR` bus definition to the EFI Device Path:

**Table 68. ACPI `_ADR` to EFI Device Path Mapping**

ACPI <code>_ADR</code> Bus	EFI Device Path
EISA	<i>Not supported</i>
Floppy Bus	ACPI Device Path: <code>_HID</code> PNP0604, <code>_UID</code> drive select encoding 0-3
IDE Controller	ATAPI Message Device Path: Maser/Slave : LUN
IDE Channel	ATAPI Message Device Path: Maser/Slave : LUN
PCI	PCI Hardware Device Path
PCMCIA	<i>Not Supported</i>
PC CARD	PC CARD Hardware Device Path
SMBus	<i>Not Supported</i>

#### 9.4.4 Hardware vs. Messaging Device Path Rules

Hardware Device Paths are used to define paths on buses that have a standard enumeration algorithm and that relate directly to the coherency domain of the system. The coherency domain is defined as a global set of resources that is visible to at least one processor in the system. In a typical system this would include the processor memory space, IO space, and PCI configuration space.

Messaging Device Paths are used to define paths on buses that have a standard enumeration algorithm, but are not part of the global coherency domain of the system. SCSI and Fibre Channel are examples of this kind of bus. The Messaging Device Path can also be used to describe virtual connections over network-style devices. An example would be the TCPI/IP address of an internet connection.

Thus Hardware Device Path is used if the bus produces resources that show up in the coherency resource domain of the system. A Message Device Path is used if the bus consumes resources from the coherency domain and produces resources out side the coherency domain of the system.

#### 9.4.5 Media Device Path Rules

The Media Device Path is used to define the location of information on a medium. Hard Drives are subdivided into partitions by the MBR and a Media Device Path is used to define which partition is being used. A CD-ROM has boot partitions that are defined by the “El Torito” specification, and the Media Device Path is used to point to these partitions.

An EFI BLOCK IO PROTOCOL is produced for both raw devices and partitions on devices. This allows the EFI SIMPLE FILE SYSTEM PROTOCOL protocol to not have to understand media formats. The EFI BLOCK IO PROTOCOL for a partition contains the same Device Path as the parent EFI BLOCK IO PROTOCOL for the raw device with the addition of a Media Device Path that defines which partition is being abstracted.

The Media Device Path is also used to define the location of a file in a file system. This Device Path is used to load files and to represent what file an image was loaded from.

#### 9.4.6 Other Rules

The BIOS Boot Specification Device Path is not a typical Device Path. A Device Path containing the BIOS Boot Specification Device Path should only contain the required End Device Path structure and no other Device Path structures. The BIOS Boot Specification Device Path is only used to allow the EFI boot menus to boot a legacy operating system from legacy media.

The EFI Device Path can be extended in a compatible fashion by assigning your own vendor GUID to a Hardware, Messaging, or Media Device Path. This extension is guaranteed to never conflict with future extensions of this specification.

The EFI specification reserves all undefined Device Path types and subtypes. Extension is only permitted using a Vendor GUID Device Path entry.

## 9.5 EFI Device Path Display Format Overview

This section describes the recommended conversion between an EFI Device Path Protocol and Unicode text. It also describes standard protocols for implementing these. The goals are:

- Standardized display format. This allows documentation and test tools to understand output coming from drivers provided by multiple vendors.
- Increase Readability. Device paths need to be read by people, so the format should be in a form which can be deciphered, maintaining as much as possible the industry standard means of presenting data. In this case, there are two forms, a display-only form and a parse-able form.
- Round-trip conversion from text to binary form and back to text without loss, if desired.
- Ease of command-line parsing. Since device paths can appear on the command-lines of UEFI applications executed from a shell, the conversion format should not prohibit basic command-line processing, either by the application or by a shell.

This specification is designed to be inserted as Sections 8.5 and 8.6 of the UEFI 2.0 specification, immediately following Device Path Generation Rules.

### 9.5.1 Design Discussion

The following subsections describe the design considerations for conversion to and from the EFI Device Path Protocol binary format and its corresponding text form.

#### 9.5.1.1 Standardized Display Format

Before the UEFI 2.0, there was no standardized format for the conversion from the EFI Device Path protocol and text. Some de-facto standards arose, either as part of the standard implementation or in descriptive text in the EFI Device Driver Writer's Guide, although they didn't agree. The standardized format attempts to maintain at least the spirit of these earlier ideas.

#### 9.5.1.2 Readability

Since these are conversions to text and, in many cases, users have to read and understand the text form of the EFI Device Path, it makes sense to make them as readable as reasonably possible. Several strategies are used to accomplish this:

- Creating simplified forms for well-known device paths. For example, a PCI root Bridge can be represented as `Acpi(PNP0A03,0)`, but makes more sense as `PciRoot(0)`. When converting from text to binary form, either form is accepted, but when converting from binary form to text, the latter is preferred.
- Omitting the conversion of fields which have empty or default values. By doing this, the average display length is greatly shortened, which improves readability.



### 9.5.1.3 Round-Trip Conversion

The conversions specified here guarantee at least that conversion to and from the binary representation of the EFI Device Path will be semantically identical.

---

$$\text{Text}_1 \Leftrightarrow \text{Binary}_1 \Leftrightarrow \text{Text}_2 \Leftrightarrow \text{Binary}_2$$

---

**Figure 20. Text to Binary Conversion**

In Figure 20, the process described in this section is applied to  $\text{Text}_1$ , converting it to  $\text{Binary}_1$ . Subsequently,  $\text{Binary}_1$  is converted to  $\text{Text}_2$ . Finally, the  $\text{Text}_2$  is converted to  $\text{Binary}_2$ . In these cases,  $\text{Binary}_1$  and  $\text{Binary}_2$  will always be identical.  $\text{Text}_1$  and  $\text{Text}_2$  may or may not be identical. This is the result of the fact that the text representation has, in some cases, more than one way of representing the same EFI Device Path node.

---

$$\text{Binary}_1 \Leftrightarrow \text{Text}_1 \Leftrightarrow \text{Binary}_2 \Leftrightarrow \text{Text}_2$$

---

**Figure 21. Binary to Text Conversion**

In Figure 21 the process described in this section is applied to  $\text{Binary}_1$ , converting it to  $\text{Text}_1$ . Subsequently,  $\text{Text}_1$  is converted to  $\text{Binary}_2$ . Finally,  $\text{Binary}_2$  is converted to  $\text{Text}_2$ . In these cases,  $\text{Binary}_1$  and  $\text{Binary}_2$  will always be identical and  $\text{Text}_1$  and  $\text{Text}_2$  will always be identical.

Another consideration in round-trip conversion is potential ambiguity in parsing. This happens when the text representation could be converted into more than type of device node, thus requiring information beyond that contained in the text representation in order to determine the correct conversion to apply. In the case of EFI Device Paths, this causes problems primarily with literal strings in the device path, such as those found in file names, volumes or directories.

For example, the file name `Acpi (PNP0A03, 0)` might be a legal FAT32 file name. However, in parsing this, it is not clear whether it refers to an Acpi device node or a file name. Thus, it is ambiguous. In order to prevent ambiguity, certain characters may only be used for device node keywords and may not be used in file names or directories.

### 9.5.1.4 Command-Line Parsing

Applications written to this specification need to accept the text representation of EFI device paths as command-line parameters, possibly in the context of a command-prompt or shell. In order to do this, the text representation must follow simple guidelines concerning its format.

Command-line parsing generally involves three separate concepts: substitution, redirection and division.

In substitution, the invoker of the application modifies the actual contents of the command-line before it is passed to the application. For example:

```
copy *.xyz
```

In redirection, the invoker of the application gleans from the command line parameters which it uses to, for example, redirect or pipe input or output. For example:

```
echo This text is copied to a file >abc  
dir | more
```

Finally, in division, the invoker or the application startup code divides the command-line up into individual arguments. The following line, for example, has (at least) three arguments, divided by whitespace.

```
copy /b file1.info file2.info
```

### 9.5.1.5 Text Representation Basics

This section describes the basic rules for the text representation of device nodes and device paths. The formal grammar describing appears later.

The text representation of a device path (or text device path) consists of one or more text device nodes, each preceded by a '/' or '\` character. The behavior of a device path where the first node is not preceded by one of these characters is undefined. Some implementations may treat it as a relative path from a current working directory.

Spaces are not allowed at any point within the device path except when quoted with double quotes (""). The '|' (bar), '<' (less than) and '>' (greater than) characters are likewise reserved for use by the shell.

---

<pre><i>device-path</i> := \ <i>device-node</i> _____                 / <i>device-node</i> _____                 \ <i>device-path</i> <i>device-node</i></pre>
--

---

**Figure 22. Device Path Text Representation**

There are two types of text device nodes : file-name/directory or canonical. Canonical text device nodes are prefixed by an option name consisting of only alphanumerical characters, followed by a parenthesis, followed by option-specific parameters separated by a ',' (comma). File names and directories have no prefixes.

---

<pre>device-node          := standard-device-node   file-name/directory standard-device-node := option-name(option-parameters) file-name/directory := any character except '/' '\' ' ' '&gt;' '&lt;'</pre>
--

---

**Figure 23. Text Device Node Names**

The canonical device node can have zero or more option parameters between the parentheses. Multiple option parameters are separated by a comma. The meaning of the option parameters depends primarily on the option name, then the parameter-identifier (if present) and then the order of appearance in the parameter list. The parameter identifier allows the text representation to only contain the non-default option parameter value, even if it would normally appear fourth in the list of option parameters. Missing parameters do not require the comma unless needed as a placeholder to correctly increment the parameter count for a subsequent parameter.

Consider

```
Acpi(HWP0002, PNP0A03)
```

Which could also be written:

```
Acpi(HWP0002, CID=PNP0A03)
```

Since CID is an optional parameter.

---

<pre>option-name          := alphanumerical characters string option-parameters   := option-parameter                       option-parameters,option-parameter option-parameter     := parameter-value                       parameter-identifier=parameter-value</pre>
---

---

**Figure 24. Device Node Option Names**

### 9.5.1.6 Text Device Node Reference

In each of the following table rows, a specific device node type and sub-type are given, along with the most general form of the text representation. Any parameters for the device node are listed in italics. In each case, the type is listed and along with it what is required or optional, and any default value, if applicable.

On subsequent lines, alternate representations are listed. In general, these alternate representations are simplified by the assumption that one or more of the parameters is set to a specific value.

## Parameter Types

This section describes the various types of option parameter values.

**Table 69. EFI Device Path Option Parameter Values**

GUID	An EFI GUID in standard format xxxxxxxx-xxxx-xxxx-xxxx-xxxxxxxxxxxx, where each x is a hexadecimal digit.
Keyword	In some cases, one of a series of keywords must be listed.
Integer	Unless otherwise specified, this indicates an unsigned integer in the range of 0 to 232-1. The value is decimal, unless preceded by "0x" or "0X"
EISAID	A seven character text identifier in the format used by the ACPI specification. The first three characters must be alphabetic, either upper or lower case. The second four characters are hexadecimal digits, either numeric, upper case or lower case. Optionally, it can be the number 0.
String	Series of alphabetic, numeric and punctuation characters not including a right parenthesis ')', bar ' ' less-than '<' or greater than '>' character.
HexDump	Series of bytes, represented by two hexadecimal characters per byte. Unless otherwise indicated, the size is only limited by the length of the device node.
IP Address	Series of four integer values (each between 0-255), separated by a '.' Optionally, followed by a ':' and an integer value between 0-65555. If the ':' is not present, then the port value is zero.
IPv6	Series of four character hexadecimal values, separated by the ':' character. If '::' appears, it fills in zero or more missing 16-bit values before the any remaining hexadecimal characters with zeroes.

**Table 70. Device Node Table**

<b>Device Node Type/SubType/Other</b>	<b>Description</b>
	<p><b>Path</b> (<i>type, subtype, data</i>)</p> <p>The <i>type</i> is an integer from 0-255.</p> <p>The <i>sub-type</i> is an integer from 0-255.</p> <p>The <i>data</i> is a hex dump.</p>
Type: 1 (Hardware Device Path)	<p><b>HardwarePath</b>(<i>subtype, data</i>)</p> <p>The <i>subtype</i> is an integer from 0-255.</p> <p>The <i>data</i> is a hex dump.</p>
Type: 1 (Hardware Device Path) SubType: 1 (PCI)	<p><b>Pci</b> (<i>Function, Device</i>)</p> <p>The <i>Function</i> is an integer from 0-31 and is required.</p> <p>The <i>Device</i> is an integer from 0-7 and is required.</p>
Type: 1 (Hardware Device Path) SubType: 2 (PcPcard)	<p><b>PcCard</b> (<i>Function</i>)</p> <p>The <i>Function</i> is an integer from 0-255 and is required.</p>
Type: 1 (Hardware Device Path) SubType: 3 (Memory Mapped)	<p><b>MemoryMapped</b> (<i>StartingAddress, EndingAddress</i>)</p> <p>The <i>StartingAddress</i> and <i>EndingAddress</i> are both 64-bit integers and are both required.</p>
Type: 1 (Hardware Device Path)	<p><b>VenHw</b> (<i>Guid, Data</i>)</p>
Type: 1 (Hardware Device Path) SubType: 5 (Controller)	<p><b>Ctrl</b> (<i>Controller</i>)</p> <p>The <i>Controller</i> is an integer and is required.</p>
Type 2	<p><b>AcpiPath</b> (<i>subtype, data</i>)</p> <p>The <i>subtype</i> is an integer from 0-255.</p> <p>The <i>data</i> is a hex dump.</p>
Type: 2 (ACPI Device Path) SubType: 1 (ACPI Device Path)	<p><b>Acpi</b> (<i>HID, UID</i>)</p> <p>The <i>HID</i> parameter is an EISAID and is required.</p> <p>The <i>UID</i> parameter is an integer and is optional. The default value is zero.</p>

<b>Device Node Type/SubType/Other</b>	<b>Description</b>
Type: 2 (ACPI Device Path) SubType: 1 (ACPI Device Path) HID=PNP0A03	<b>PciRoot</b> ( <i>UID</i> )  The <i>UID</i> parameter is an integer. It is optional but required for display. The default value is zero.
Type: 2 (ACPI Device Path) SubType: 1 (ACPI Device Path) HID=PNP0604	<b>Floppy</b> ( <i>UID</i> )  The <i>UID</i> parameter is an integer. It is optional for input but required for display. The default value is zero.
Type: 2 (ACPI Device Path) SubType: 1 (ACPI Device Path) HID=PNP0301	<b>Keyboard</b> ( <i>UID</i> )  The <i>UID</i> parameter is an integer. It is optional for input but required for display. The default value is 0.
Type: 2 (ACPI Device Path) SubType: 1 (ACPI Device Path) HID=PNP0501	<b>Serial</b> ( <i>UID</i> )  The <i>UID</i> parameter is an integer. It is optional for input but required for display. The default value is 0.
Type: 2 (ACPI Device Path) SubType: 1 (ACPI Device Path) HID=PNP0401	<b>ParallelPort</b> ( <i>UID</i> )  The <i>UID</i> parameter is an integer. It is optional for input but required for display. The default value is 0.

Device Node Type/SubType/Other	Description
Type: 2 (ACPI Device Path)	<b>AcpiExp</b> ( <i>HID, CID, UID, HIDSTR, CIDSTR, UIDSTR</i> )
Type: 2 (ACPI Device Path) SubType: 2 (ACPI Expanded Device Path) HIDSTR=empty CIDSTR=empty UID = 0	<b>AcpiExp</b> ( <i>HID, CID, UIDSTR</i> )  The <i>HID</i> parameter is an EISAID. It is required. The <i>CID</i> parameter is an EISAID. It is optional and has a default value of 0. The <i>UIDSTR</i> parameter is a string. It is optional and defaults to an empty string.
Type: 3 MessagingPath	<b>HardwarePath</b> ( <i>subtype, data</i> )  The <i>subtype</i> is an integer from 0-255. The <i>data</i> is a hex dump.
Type: 3 (Messaging Device Path) SubType: 1 (ATAPI)	<b>Ata</b> ( <i>Controller, Drive, LUN</i> ) <b>Ata</b> ( <i>LUN</i> ) (Display only)  The <i>Controller</i> is either an integer with a value of 0 or 1 or else the keyword <b>Primary</b> (0) or <b>Secondary</b> (1). It is required. The <i>Drive</i> is either an integer with the value of 0 or 1 or else the keyword <b>Master</b> (0) or <b>Slave</b> (1). It is required. The <i>LUN</i> is a 16-bit integer. It is required.
Type: 3 (Messaging Device Path) SubType: 2 (SCSI)	<b>Scsi</b> ( <i>PUN, LUN</i> )  The <i>PUN</i> is an integer between 0 and 65535 and is required. The <i>LUN</i> is an integer between 0 and 65535 and is required.

<b>Device Node Type/SubType/Other</b>	<b>Description</b>
Type: 3 (Messaging Device Path) SubType: 3 (Fibre Channel)	<b>Fibre</b> ( <i>WWN, LUN</i> )  The <i>WWN</i> is a 64-bit unsigned integer and is required. The <i>LUN</i> is a 64-bit unsigned integer and is required.
Type: 3 (Messaging Device Path)	<b>I1394</b> ( <i>GUID</i> )
Type: 3 (Messaging Device Path) SubType: 5 (USB)	<b>USB</b> ( <i>Port, Interface</i> )  The <i>Port</i> is an integer between 0 and 255 and is required. The <i>Interface</i> is an integer between 0 and 255 and is required.
Type: 3 (Messaging Device Path) SubType: 6 (I <sub>2</sub> O)	<b>I2O</b> ( <i>TID</i> )  The <i>TID</i> is an integer and is required.
Type: 3 (Messaging Device Path) SubType: 9 (Infiniband)	<b>Infiniband</b>  Infiniband( <i>Flags, Guid, ServiceId, TargetId, DeviceId</i> ) <i>Flags</i> is an integer. <i>Guid</i> is a guid. <i>ServiceId, TargetId</i> and <i>DeviceId</i> are 64-bit unsigned integers. All fields are required.
Type: 3 (Messaging Device Path) SubType: 10 (Vendor)	<b>VenMsg</b> ( <i>Guid, Data</i> )  The <i>Guid</i> is a GUID and is required. The <i>Data</i> is a Hex Dump and is option. The default value is zero bytes.
Type: 3 (Messaging Device Path) SubType: 10 (Vendor) GUID=EFI_PC_ANSI_GUID	<b>VenPcAnsi</b> ()
Type: 3 (Messaging Device Path) SubType: 10 (Vendor) GUID=EFI_VT_100_GIUD	<b>VenVt100</b> ()
Type: 3 (Messaging Device Path) SubType: 10 (Vendor) GUID=EFI_VT_100_PLUS_GUID	<b>VenVt100Plus</b> ()
Type: 3 (Messaging Device Path) SubType: 10 (Vendor) GUID=EFI_VT_UTF8_GUID	<b>VenUtf8</b> ()



Device Node Type/SubType/Other	Description
Type: 3 (Messaging Device Path) SubType: 10 (Vendor) GUID=DEVICE_PATH_MESSAGING_UART_FLOW_CONTROL	<b>UartFlowCtrl</b> ( <i>Value</i> )  The <i>Value</i> is either an integer with the value 0, 1 or 2 or the keywords <b>XonXoff</b> (2) or <b>Hardware</b> (1) or <b>None</b> (0).
Type: 3 (Messaging Device Path) SubType: 10 (Serial Attached SCSI)  Vendor GUID: d487ddb4-008b-11d9-afdc-001083ffca4d	<b>SAS</b> ( <i>Address, LUN, RTP, SASSATA, Location, Connect, DriveBay, Reserved</i> )  The <i>Address</i> is a 64-bit unsigned integer representing the SAS Address and is required.  The <i>LUN</i> is a 64-bit unsigned integer representing the Logical Unit Number and is optional. The default value is 0.  The <i>RTP</i> is a 16-bit unsigned integer representing the Relative Target Port and is optional. The default value is 0.  The <i>SASSATA</i> is a keyword <b>SAS</b> or <b>SATA</b> or <b>NoTopology</b> or an unsigned 16-bit integer and is optional. The default is <b>NoTopology</b> . If <b>NoTopology</b> or an integer are specified, then <i>Location</i> , <i>Connect</i> and <i>DriveBay</i> are prohibited. If <b>SAS</b> or <b>SATA</b> is specified, then <i>Location</i> and <i>Connect</i> are required, but <i>DriveBay</i> is optional. If an integer is specified, then the topology information is filled with the integer value.  The <i>Location</i> is an integer between 0 and 1 or else the keyword <b>Internal</b> (0) or <b>External</b> (1) and is optional. If <i>SASSATA</i> is an integer or <b>NoTopology</b> , it is prohibited. The default value is 0.  The <i>Connect</i> is an integer between 0 and 3 or else the keyword <b>Direct</b> (0) or <b>Expanded</b> (1) and is optional. If <i>SASSATA</i> is an integer or <b>NoTopology</b> , it is prohibited. The default value is 0.  The <i>DriveBay</i> is an integer between 1 and 256 and is optional <b>unless</b> <i>SASSATA</i> is an integer or <b>NoTopology</b> , in which case it is prohibited.  The <i>Reserved</i> field is an integer and is optional. The default value is 0.
Type: 3 (Messaging Device Path) SubType: 10 (Vendor) GUID=EFI_DEBUGPORT_PROTOCOL_GUID	<b>DebugPort</b> ()
Type: 3 (Messaging Device Path)	<b>MAC</b> ( <i>MacAddr, IfType</i> )

Device Node Type/SubType/Other	Description
Type: 3 (Messaging Device Path) SubType: 12 (IPv4)	<p><b>IPv4</b> (<i>RemoteIp, Protocol, Type, LocalIp</i>)</p> <p><b>IPv4</b> (<i>RemoteIp</i>) (Display Only)</p> <p>The <i>RemoteIp</i> is an IP Address and is required.</p> <p>The <i>Protocol</i> is a keyword, either <b>UDP</b> (0) or <b>TCP</b> (1). The default value is <b>UDP</b>.</p> <p>The <i>Type</i> is a keyword, either <b>Static</b> (1) or <b>DHCP</b> (0). It is optional. The default value is <b>DHCP</b>.</p> <p>The <i>LocalIp</i> is an IP Address and is optional. The default value is all zeroes.</p>
Type: 3 (Messaging Device Path) SubType: 13 (IPv6)	<p><b>IPv6</b> (<i>RemoteIp, Protocol, Type, LocalIp</i>)</p> <p><b>IPv6</b> (<i>RemoteIp</i>) (Display Only)</p> <p>The <i>RemoteIp</i> is an IPv6 Address and is required.</p> <p>The <i>Protocol</i> is a keyword, either <b>UDP</b> (0) or <b>TCP</b> (1). The default value is <b>UDP</b>.</p> <p>The <i>Type</i> is a keyword, either <b>Static</b> (1) or <b>DHCP</b> (0). It is optional. The default value is <b>DHCP</b>.</p> <p>The <i>LocalIp</i> is an IPv6 Address and is optional. The default value is all zeroes.</p>
Type: 3 (Messaging Device Path) SubType: 14 (UART)	<p><b>Uart</b> (<i>Baud, DataBits, Parity, StopBits</i>)</p> <p>The <i>Baud</i> is a 64-bit integer and is optional. The default value is 115200.</p> <p>The <i>DataBits</i> is an integer from 0 to 255 and is optional. The default value is 8.</p> <p>The <i>Parity</i> is either an integer from 0-255 or else a keyword and should be <b>D</b> (0), <b>N</b> (1), <b>E</b> (2), <b>O</b> (3), <b>M</b> (4) or <b>S</b> (5). It is optional. The default value is 0.</p> <p>The <i>StopBits</i> is a either an integer from 0-255 or else a keyword and should be <b>D</b> (0), <b>1</b> (1), <b>1.5</b> (2), <b>2</b> (3). It is optional. The default value is 0.</p>

<b>Device Node Type/SubType/Other</b>	<b>Description</b>
Type: 3 (Messaging Device Path) SubType: 15 (USB Class)	<p><b>UsbClass</b> (<i>VID, PID, Class, SubClass, Protocol</i>)</p> <p>The <i>VID</i> is an integer between 0 and 65535 and is optional. The default value is 0xFFFF.</p> <p>The <i>PID</i> is an integer between 0 and 65535 and is optional. The default value is 0xFFFF.</p> <p>The <i>Class</i> is an integer between 0 and 255 and is optional. The default value is 0xFF.</p> <p>The <i>SubClass</i> is an integer between 0 and 255 and is optional. The default value is 0xFF.</p> <p>The <i>Protocol</i> is an integer between 0 and 255 and is optional. The default value is 0xFF.</p>
Type: 3 (Messaging Device Path)	<p><b>UsbAudio</b> (<i>VID, PID, SubClass, Protocol</i>)</p>
Type: 3 (Messaging Device Path) SubType: 15 (USB Class) Class 2	<p><b>UsbCDCControl</b> (<i>VID, PID, SubClass, Protocol</i>)</p> <p>The <i>VID</i> is an optional integer between 0 and 65535 and is optional. The default value is 0xFFFF.</p> <p>The <i>PID</i> is an optional integer between 0 and 65535 and is optional. The default value is 0xFFFF.</p> <p>The <i>SubClass</i> is an optional integer between 0 and 255 and is optional. The default value is 0xFF.</p> <p>The <i>Protocol</i> is an optional integer between 0 and 255 and is optional. The default value is 0xFF.</p>
Type: 3 (Messaging Device Path) SubType: 15 (USB Class) Class 3	<p><b>UsbHID</b> (<i>VID, PID, SubClass, Protocol</i>)</p> <p>The <i>VID</i> is an integer between 0 and 65535 and is optional. The default value is 0xFFFF.</p> <p>The <i>PID</i> is an integer between 0 and 65535 and is optional. The default value is 0xFFFF.</p> <p>The <i>SubClass</i> is an integer between 0 and 255 and is optional. The default value is 0xFF.</p> <p>The <i>Protocol</i> is an integer between 0 and 255 and is optional. The default value is 0xFF.</p>

<b>Device Node Type/SubType/Other</b>	<b>Description</b>
Type: 3 (Messaging Device Path) SubType: 15 (USB Class) Class 6	<p><b>UsbImage</b> (<i>VID, PID, SubClass, Protocol</i>)</p> <p>The <i>VID</i> is an integer between 0 and 65535 and is optional. The default value is 0xFFFF.</p> <p>The <i>PID</i> is an integer between 0 and 65535 and is optional. The default value is 0xFFFF.</p> <p>The <i>SubClass</i> is an integer between 0 and 255 and is optional. The default value is 0xFF.</p> <p>The <i>Protocol</i> is an integer between 0 and 255 and is optional. The default value is 0xFF.</p>
Type: 3 (Messaging Device Path)	<p><b>UsbPrinter</b> (<i>VID, PID, SubClass, Protocol</i>)</p>
Type: 3 (Messaging Device Path) SubType: 15 (USB Class) Class 8	<p><b>UsbMassStorage</b> (<i>VID, PID, SubClass, Protocol</i>)</p> <p>The <i>VID</i> is an integer between 0 and 65535 and is optional. The default value is 0xFFFF.</p> <p>The <i>PID</i> is an integer between 0 and 65535 and is optional. The default value is 0xFFFF.</p> <p>The <i>SubClass</i> is an integer between 0 and 255 and is optional. The default value is 0xFF.</p> <p>The <i>Protocol</i> is an integer between 0 and 255 and is optional. The default value is 0xFF.</p>
Type: 3 (Messaging Device Path) SubType: 15 (USB Class) Class 9	<p><b>UsbHub</b> (<i>VID, PID, SubClass, Protocol</i>)</p> <p>The <i>VID</i> is an integer between 0 and 65535 and is optional. The default value is 0xFFFF.</p> <p>The <i>PID</i> is an integer between 0 and 65535 and is optional. The default value is 0xFFFF.</p> <p>The <i>SubClass</i> is an integer between 0 and 255 and is optional. The default value is 0xFF.</p> <p>The <i>Protocol</i> is an integer between 0 and 255 and is optional. The default value is 0xFF.</p>

<b>Device Node Type/SubType/Other</b>	<b>Description</b>
Type: 3 (Messaging Device Path) SubType: 15 (USB Class) Class 10	<p><b>UsbCDCData</b> (<i>VID, PID, SubClass, Protocol</i>)</p> <p>The <i>VID</i> is an integer between 0 and 65535 and is optional. The default value is 0xFFFF.</p> <p>The <i>PID</i> is an integer between 0 and 65535 and is optional. The default value is 0xFFFF.</p> <p>The <i>SubClass</i> is an integer between 0 and 255 and is optional. The default value is 0xFF.</p> <p>The <i>Protocol</i> is an integer between 0 and 255 and is optional. The default value is 0xFF.</p>
Type: 3 (Messaging Device Path)	<p><b>UsbSmartCard</b> (<i>VID, PID, SubClass, Protocol</i>)</p>
Type: 3 (Messaging Device Path) SubType: 15 (USB Class) Class 14	<p><b>UsbVideo</b> (<i>VID, PID, SubClass, Protocol</i>)</p> <p>The <i>VID</i> is an integer between 0 and 65535 and is optional. The default value is 0xFFFF.</p> <p>The <i>PID</i> is an integer between 0 and 65535 and is optional. The default value is 0xFFFF.</p> <p>The <i>SubClass</i> is an integer between 0 and 255 and is optional. The default value is 0xFF.</p> <p>The <i>Protocol</i> is an integer between 0 and 255 and is optional. The default value is 0xFF.</p>
Type: 3 (Messaging Device Path) SubType: 15 (USB Class) Class 220	<p><b>UsbDiagnostic</b> (<i>VID, PID, SubClass, Protocol</i>)</p> <p>The <i>VID</i> is an integer between 0 and 65535 and is optional. The default value is 0xFFFF.</p> <p>The <i>PID</i> is an integer between 0 and 65535 and is optional. The default value is 0xFFFF.</p> <p>The <i>SubClass</i> is an integer between 0 and 255 and is optional. The default value is 0xFF.</p> <p>The <i>Protocol</i> is an integer between 0 and 255 and is optional. The default value is 0xFF.</p>

<b>Device Node Type/SubType/Other</b>	<b>Description</b>
Type: 3 (Messaging Device Path) SubType: 15 (USB Class) Class 224	<p><b>UsbWireless</b> (<i>VID, PID, SubClass, Protocol</i>)</p> <p>The <i>VID</i> is an integer between 0 and 65535 and is optional. The default value is 0xFFFF.</p> <p>The <i>PID</i> is an integer between 0 and 65535 and is optional. The default value is 0xFFFF.</p> <p>The <i>SubClass</i> is an integer between 0 and 255 and is optional. The default value is 0xFF.</p> <p>The <i>Protocol</i> is an integer between 0 and 255 and is optional. The default value is 0xFF.</p>
Type: 3 (Messaging Device Path)	<p><b>UsbDeviceFirmwareUpdate</b> (<i>VID, PID, Protocol</i>)</p>
Type: 3 (Messaging Device Path) SubType: 15 (USB Class) Class 254 SubClass: 2	<p><b>UsbIrdaBridge</b> (<i>VID, PID, Protocol</i>)</p> <p>The <i>VID</i> is an integer between 0 and 65535 and is optional. The default value is 0xFFFF.</p> <p>The <i>PID</i> is an integer between 0 and 65535 and is optional. The default value is 0xFFFF.</p> <p>The <i>Protocol</i> is an integer between 0 and 255 and is optional. The default value is 0xFF.</p>
Type: 3 (Messaging Device Path) SubType: 15 (USB Class) Class 254 SubClass: 3	<p><b>UsbTestAndMeasurement</b> (<i>VID, PID, Protocol</i>)</p> <p>The <i>VID</i> is an integer between 0 and 65535 and is optional. The default value is 0xFFFF.</p> <p>The <i>PID</i> is an integer between 0 and 65535 and is optional. The default value is 0xFFFF.</p> <p>The <i>Protocol</i> is an integer between 0 and 255 and is optional. The default value is 0xFF.</p>
Type: 3 (Messaging Device Path) SubType: 16 (USB WWID Class)	<p><b>UsbWwid</b> (<i>VID, PID, InterfaceNumber, "WWID"</i>)</p> <p>The <i>VID</i> is an integer between 0 and 65535 and is required.</p> <p>The <i>PID</i> is an integer between 0 and 65535 and is required.</p> <p>The <i>InterfaceNumber</i> is an integer between 0 and 255 and is required.</p> <p>The <i>WWID</i> is a string and is required.</p>

<b>Device Node Type/SubType/Other</b>	<b>Description</b>
Type: 3 (Messaging Device Path) SubType: 17 (Logical Unit Class)	<p><b>Unit</b> (<i>LUN</i>)</p> <p>The <i>LUN</i> is an integer and is required.</p>
Type: 3 (Messaging Device Path) SubType: 19 (iSCSI)	<p><b>iSCSI</b>(<i>TargetName, PortalGroup, LUN, HeaderDigest, DataDigest, Authentication, Protocol</i>)</p> <p>The <i>TargetName</i> is a string and is required.</p> <p>The <i>PortalGroup</i> is an unsigned 16-bit integer and is required.</p> <p>The <i>LUN</i> is an unsigned 16-bit integer and is required.</p> <p>The <i>HeaderDigest</i> is a keyword <b>None</b> or <b>CRC32C</b> is optional. The default is <b>None</b>.</p> <p>The <i>DataDigest</i> is a keyword <b>None</b> or <b>CRC32C</b> is optional. The default is <b>None</b>.</p> <p>The <i>Authentication</i> is a keyword <b>None</b> or <b>CHAP_BI</b> or <b>CHAP_UNI</b>. The default is <b>None</b>.</p>
Type: 4	<p><b>MediaPath</b>( <i>subtype, data</i>)</p> <p>The <i>subtype</i> is an integer from 0-255 and is required.</p>
Type: 4 (Media Device Path) SubType: 1 (Hard Drive)	<p><b>HD</b>(<i>Partition, Type, Signature, Start, Size</i>)</p>

<b>Device Node Type/SubType/Other</b>	<b>Description</b>
Type: 4 (Media Device Path) SubType: 2 (CD-ROM)	<p><b>CDROM</b> (<i>Entry, Start, Size</i>)</p> <p><b>CDROM</b> (<i>Entry</i>) (Display Only)</p> <p>The <i>Entry</i> is an integer representing the Boot Entry from the Boot Catalog. It is optional and the default is 0.</p> <p>The <i>Start</i> is a 64-bit integer and is required.</p> <p>The <i>Size</i> is a 64-bit integer and is required.</p>
Type: 4 (Media Device Path) SubType: 3 (Vendor)	<p><b>VenMedia</b> (<i>GUID, Data</i>)</p> <p>The <i>Guid</i> is a GUID and is required.</p> <p>The <i>Data</i> is a Hex Dump and is option. The default value is zero bytes.</p>
Type: 4 (Media Device Path) SubType: 4 (File Path)	<p><i>String</i></p> <p>The <i>String</i> is the file path and is a string.</p>
Type: 4 (Media Device Path) SubType: 5 (Media Protocol)	<p><b>Media</b> (<i>Guid</i>)</p> <p>The <i>Guid</i> is a GUID and is required.</p>
Type: 5	<p><b>BbsPath</b> (<i>subtype, data</i>)</p> <p>The <i>subtype</i> is an integer from 0-255.</p> <p>The <i>data</i> is a hex dump.</p>
Type: 5 – BIOS Boot Specification Device Path SubType: 1 (BBS 1.01)	<p><b>BBS</b> (<i>Type, Id, Flags</i>)</p> <p><b>BBS</b> (<i>Type, Id</i>) (Display Only)</p> <p>The <i>Type</i> is an integer from 0-65535 or else one of the following keywords: <b>Floppy</b> (1), <b>HD</b> (2), <b>CDROM</b> (3), <b>PCMCIA</b> (4), <b>USB</b> (5), <b>Network</b> (6). It is required.</p> <p>The <i>Id</i> is a string and is required.</p> <p>The <i>Flags</i> are an integer and are optional. The default value is 0.</p>

## 9.5.2 Code Definitions

This section describes the **EFI\_DEVICE\_PATH\_UTILITIES\_PROTOCOL**, which aids in creating and manipulating device paths.



# EFI\_DEVICE\_PATH\_UTILITIES\_PROTOCOL

## Summary

Creates and manipulates device paths and device nodes.

## GUID

```
// {0379BE4E-D706-437d-B037-EDB82FB772A4}
#define EFI_DEVICE_PATH_UTILITIES_PROTOCOL_GUID \
    {0x379be4e, 0xd706, 0x437d, 0xb0, 0x37, 0xed, 0xb8, 0x2f, 0xb7,
     0x72, 0xa4 };
```

## Protocol Interface Structure

```
typedef struct _EFI_DEVICE_PATH_UTILITIES_PROTOCOL {
    EFI_DEVICE_PATH_UTILS_GET_DEVICE_PATH_SIZE
        GetDevicePathSize;
    EFI_DEVICE_PATH_UTILS_DUP_DEVICE_PATH DuplicateDevicePath;
    EFI_DEVICE_PATH_UTILS_APPEND_PATH AppendDevicePath;
    EFI_DEVICE_PATH_UTILS_APPEND_NODE AppendDeviceNode;
    EFI_DEVICE_PATH_UTILS_APPEND_INSTANCE
        AppendDevicePathInstance;
    EFI_DEVICE_PATH_UTILS_GET_NEXT_INSTANCE
        GetNextDevicePathInstance;
    EFI_DEVICE_PATH_UTILS_IS_MULTI_INSTANCE
        IsDevicePathMultiInstance;
    EFI_DEVICE_PATH_CREATE_NODE CreateDeviceNode;
} EFI_DEVICE_PATH_UTILITIES_PROTOCOL;
```

## Parameters

<i>GetDevicePathSize</i>	Return the size of the specified device path, in bytes.
<i>DuplicateDevicePath</i>	Duplicate a device path structure.
<i>AppendDeviceNode</i>	Appends the device node to the specified device path.
<i>AppendDevicePath</i>	Appends the device path to the specified device path.
<i>AppendDevicePathInstance</i>	Append a device path instance to another device path.
<i>GetNextDevicePathInstance</i>	Retrieves the next device path instance from a device path data structure.
<i>IsDevicePathMultiInstance</i>	Return TRUE if this is a multi-instance device path.
<i>CreateDeviceNode</i>	Allocate memory for a device node with the specified type and sub-type.

## Description

The **EFI\_DEVICE\_PATH\_UTILITIES\_PROTOCOL** provides common utilities for creating a manipulating device paths and device nodes.

## EFI\_DEVICE\_PATH\_UTILITIES\_PROTOCOL.GetDevicePathSize

### Summary

Returns the size of the device path, in bytes.

### Prototype

```
typedef
UINTN
(EFIAPI *EFI_DEVICE_PATH_GET_DEVICE_PATH_SIZE) (
    IN CONST EFI_DEVICE_PATH* DevicePath
);
```

### Parameters

*DevicePath* Points to the start of the EFI device path.

### Description

This function returns the size of the specified device path, in bytes, including the end-of-path tag.

### Related Definitions

EFI\_DEVICE\_PATH\_PROTOCOL is defined LocateDevicePath

## EFI\_DEVICE\_PATH\_UTILITIES\_PROTOCOL.DuplicateDevicePath

### Summary

Create a duplicate of the specified path.

### Prototype

```
typedef
EFI_DEVICE_PATH*
(EFIAPI *EFI_DEVICE_PATH_DUP_DEVICE_PATH) (
    IN CONST EFI_DEVICE_PATH* DevicePath,
    );
```

### Parameters

*DevicePath* Points to the source device path.

### Description

This function creates a duplicate of the specified device path. The memory is allocated from EFI boot services memory. It is the responsibility of the caller to free the memory allocated.

### Related Definitions

**EFI\_DEVICE\_PATH\_PROTOCOL** is defined in Section 9.2.

### Returns

This function returns a pointer to the duplicate device path or NULL if there was insufficient memory.

## EFI\_DEVICE\_PATH\_UTILITIES\_PROTOCOL.AppendDevicePath()

### Summary

Create a new path by appending the second device path to the first.

### Prototype

```
typedef
EFI_DEVICE_PATH*
(EFI_API *EFI_DEVICE_PATH_APPEND_DEVICE_PATH)
    IN CONST EFI_DEVICE_PATH* Src1,
    IN CONST EFI_DEVICE_PATH* Src2,
    );
```

### Parameters

- Src1* Points to the first device path. If NULL, then it is ignored.
- Src2* Points to the second device path. If NULL, then it is ignored.

### Description

This function creates a new device path by appending a copy of the second device path to a copy of the first device path in a newly allocated buffer. Only the end-of-device-path device node from the second device path is retained. If either path is NULL, then it is ignored and a duplicate of the other is returned.

The memory is allocated from EFI boot services memory. It is the responsibility of the caller to free the memory allocated.

### Related Definitions

**EFI\_DEVICE\_PATH\_PROTOCOL** is defined in Section 9.2.

### Returns

This function returns a pointer to the newly created device path or NULL if memory could not be allocated or either *DevicePath* or *DeviceNode* is NULL.

## EFI\_DEVICE\_PATH\_UTILITIES\_PROTOCOL.AppendDeviceNode()

### Summary

Creates a new path by appending the device node to the device path.

### Prototype

```
typedef
EFI_DEVICE_PATH*
(EFI_API *EFI_DEVICE_PATH_APPEND_DEVICE_NODE) (
    IN CONST EFI_DEVICE_PATH* DevicePath,
    IN CONST EFI_DEVICE_PATH* DeviceNode
);
```

### Parameters

*DevicePath* Points to the device path.

*DeviceNode* Points to the device node.

### Description

This function creates a new device path by appending a copy of the specified device node to a copy of the specified device path in an allocated buffer. The end-of-device-path device node is moved after the end of the appended device node.

The memory is allocated from EFI boot services memory. It is the responsibility of the caller to free the memory allocated.

### Related Definitions

**EFI\_DEVICE\_PATH\_PROTOCOL** is defined in Section 9.2.

### Returns

This function returns a pointer to the allocated device node or NULL if *DevicePath* or *DeviceNode* is NULL or there was insufficient memory.

## EFI\_DEVICE\_PATH\_UTILITIES\_PROTOCOL.AppendDevicePathInstance()

### Summary

Creates a new path by appending the specified device path instance to the specified device path.

### Prototype

```
typedef
EFI_DEVICE_PATH*
(EFI_API *EFI_DEVICE_PATH_APPEND_DEVICE_PATH_INSTANCE) (
    IN CONST EFI_DEVICE_PATH* DevicePath,
    IN CONST EFI_DEVICE_PATH* DevicePathInstance
);
```

### Parameters

<i>DevicePath</i>	Points to the device path. If NULL, then ignored.
<i>DevicePathInstance</i>	Points to the device path instance

### Description

This function creates a new device path by appending a copy of the specified device path instance to a copy of the specified device path in an allocated buffer. The end-of-device-path device node is moved after the end of the appended device node and a new end-of-device-path-instance node is inserted between. If *DevicePath* is NULL, then a copy of *DevicePathInstance* is returned instead.

The memory is allocated from EFI boot services memory. It is the responsibility of the caller to free the memory allocated.

### Related Definitions

**EFI\_DEVICE\_PATH\_PROTOCOL** is defined in Section 9.2.

### Returns

This function returns a pointer to the newly created device path or NULL if *DevicePathInstance* is NULL or there was insufficient memory.

## EFI\_DEVICE\_PATH\_UTILITIES\_PROTOCOL.GetNextDevicePathInstance()

### Summary

Creates a copy of the current device path instance and returns a pointer to the next device path instance.

### Prototype

```
typedef
EFI_DEVICE_PATH*
(EFI_API *EFI_DEVICE_PATH_GET_NEXT_INSTANCE) (
    IN OUT EFI_DEVICE_PATH_PROTOCOL **DevicePathInstance,
    OUT UINTN *DevicePathInstanceSize
);
```

### Parameters

- DevicePathInstance* On input, this holds the pointer to the current device path instance. On output, this holds the pointer to the next device path instance or **NULL** if there are no more device path instances in the device path.
- DevicePathInstanceSize* On output, this holds the size of the device path instance, in bytes or zero, if *DevicePathInstance* is zero.

### Description

This function creates a copy of the current device path instance. It also updates *DevicePathInstance* to point to the next device path instance in the device path (or **NULL** if no more) and updates *DevicePathInstanceSize* to hold the size of the device path instance copy.

The memory is allocated from EFI boot services memory. It is the responsibility of the caller to free the memory allocated.

### Related Definitions

**EFI\_DEVICE\_PATH\_PROTOCOL** is defined in Section 9.2.

### Returns

This function returns a pointer to the copy of the current device path instance or **NULL** if *DevicePathInstance* was **NULL** on entry or there was insufficient memory.



## EFI\_DEVICE\_PATH\_UTILITIES\_PROTOCOL.CreateDeviceNode()

### Summary

Creates a device node

### Prototype

```
typedef
EFI_DEVICE_PATH*
(EFI_API *EFI_DEVICE_PATH_CREATE_NODE) (
    IN UINT8 NodeType,
    IN UINT8 NodeSubType,
    IN UINT16 NodeLength,
    );
```

### Parameters

- NodeType*      *NodeType* is the device node type (*EFI\_DEVICE\_PATH.Type*) for the new device node.
- NodeSubType*      *NodeSubType* is the device node sub-type (*EFI\_DEVICE\_PATH.SubType*) for the new device node.
- NodeLength*      *NodeLength* is the length of the device node (*EFI\_DEVICE\_PATH.Length*) for the new device node.

### Description

This function creates a new device node in a newly allocated buffer.

The memory is allocated from EFI boot services memory. It is the responsibility of the caller to free the memory allocated.

### Related Definitions

*EFI\_DEVICE\_PATH\_PROTOCOL* is defined in Section 9.2.

### Returns

This function returns a pointer to the created device node or NULL if *NodeLength* is less than the size of the header or there was insufficient memory.

## EFI\_DEVICE\_PATH\_UTILITIES\_PROTOCOL.IsDevicePathMultiInstance()

### Summary

Returns whether a device path is multi-instance.

### Prototype

```
typedef
BOOLEAN
(EFI_API *EFI_DEVICE_PATH_IS_MULTI_INSTANCE) (
    IN CONST EFI_DEVICE_PATH* DevicePath
);
```

### Parameters

*DevicePath* Points to the device path. If NULL, then ignored.

### Description

This function returns whether the specified device path has multiple path instances.

### Related Definitions

**EFI\_DEVICE\_PATH\_PROTOCOL** is defined in Section 9.2.

### Returns

This function returns TRUE if the device path has more than one instance or FALSE if it is empty or contains only a single instance.

# EFI\_DEVICE\_PATH\_TO\_TEXT\_PROTOCOL

## Summary

Convert device nodes and paths to text

## GUID

```
#define EFI_DEVICE_PATH_TO_TEXT_PROTOCOL_GUID \
    {0x8b843e20, 0x8132, 0x4852, 0x90, 0xcc, 0x55, 0x1a, 0x4e, 0x4a, \
     0x7f, 0x1c}
```

## Protocol Interface Structure

```
typedef struct _EFI_DEVICE_PATH_TO_TEXT_PROTOCOL {
    EFI_DEVICE_PATH_TO_TEXT_NODE ConvertDeviceNodeToText;
    EFI_DEVICE_PATH_TO_TEXT_PATH ConvertDevicePathToText;
} EFI_DEVICE_PATH_TO_TEXT_PROTOCOL;
```

## Parameters

<i>ConvertDeviceNodeToText</i>	Convert a device node to text.
<i>ConvertDevicePathToText</i>	Convert a device path to text.

## Description

The **EFI\_DEVICE\_PATH\_TO\_TEXT\_PROTOCOL** provides common utility functions for converting device nodes and device paths to a text representation.

## EFI\_DEVICE\_PATH\_TO\_TEXT\_PROTOCOL.ConvertDeviceNodeToText()

### Summary

Convert a device node to its text representation.

### Prototype

```
typedef
CHAR16*
(EFI_API *EFI_DEVICE_PATH_TO_TEXT_NODE) (
    IN CONST EFI_DEVICE_PATH* DeviceNode,
    IN BOOLEAN DisplayOnly,
    IN BOOLEAN AllowShortcuts
);
```

### Parameters

<i>DeviceNode</i>	Points to the device node to be converted.
<i>DisplayOnly</i>	If <i>DisplayOnly</i> is TRUE, then the shorter text representation of the display node is used, where applicable. If <i>DisplayOnly</i> is FALSE, then the longer text representation of the display node is used.
<i>AllowShortcuts</i>	If <i>AllowShortcuts</i> is TRUE, then the shortcut forms of text representation for a device node can be used, where applicable.

### Description

The ConvertDeviceNodeToText function converts a device node to its text representation and copies it into a newly allocated buffer.

The *DisplayOnly* parameter controls whether the longer (parseable) or shorter (display-only) form of the conversion is used.

The *AllowShortcuts* is **FALSE**, then the shortcut forms of text representation for a device node cannot be used. A shortcut form is one which uses information other than the type or subtype.

The memory is allocated from EFI boot services memory. It is the responsibility of the caller to free the memory allocated.

### Related Definitions

**EFI\_DEVICE\_PATH\_PROTOCOL** is defined in Section 9.2.

## Returns

This function returns the pointer to the allocated text representation of the device node data or else NULL if *DeviceNode* was NULL or there was insufficient memory.

## EFI\_DEVICE\_PATH\_TO\_TEXT\_PROTOCOL.ConvertDevicePathToText()

### Summary

Convert a device path to its text representation.

### Prototype

```
typedef
CHAR16*
(EFI_API *EFI_DEVICE_PATH_TO_TEXT_PATH) (
    IN CONST EFI_DEVICE_PATH* DevicePath,
    IN BOOLEAN DisplayOnly,
    IN BOOLEAN AllowShortcuts
);
```

### Parameters

<i>DeviceNode</i>	Points to the device path to be converted.
<i>DisplayOnly</i>	If <i>DisplayOnly</i> is TRUE, then the shorter text representation of the display node is used, where applicable. If <i>DisplayOnly</i> is FALSE, then the longer text representation of the display node is used.
<i>AllowShortcuts</i>	The <i>AllowShortcuts</i> is FALSE, then the shortcut forms of text representation for a device node cannot be used.

### Description

This function converts a device path into its text representation and copies it into an allocated buffer.

The *DisplayOnly* parameter controls whether the longer (parseable) or shorter (display-only) form of the conversion is used.

The *AllowShortcuts* is **FALSE**, then the shortcut forms of text representation for a device node cannot be used. A shortcut form is one which uses information other than the type or subtype.

The memory is allocated from EFI boot services memory. It is the responsibility of the caller to free the memory allocated.

### Related Definitions

**EFI\_DEVICE\_PATH\_PROTOCOL** is defined in Section 9.2.

## Status Codes Returned

This function returns a pointer to the allocated text representation of the device node or NULL if *DevicePath* was NULL or there was insufficient memory.

## EFI\_DEVICE\_PATH\_FROM\_TEXT\_PROTOCOL

### Summary

Convert text to device paths and device nodes.

### GUID

```
#define EFI_DEVICE_PATH_FROM_TEXT_PROTOCOL_GUID \
    {0x5c99a21, 0xc70f, 0x4ad2, 0x8a, 0x5f, 0x35, 0xdf, 0x33, 0x43, \
     0xf5, 0x1e}
```

### Protocol Interface Structure

```
typedef struct _EFI_DEVICE_PATH_FROM_TEXT_PROTOCOL {
    EFI_DEVICE_PATH_FROM_TEXT_NODE ConvertDeviceNodeFromText;
    EFI_DEVICE_PATH_FROM_TEXT_PATH ConvertDevicePathFromText;
} EFI_DEVICE_PATH_FROM_TEXT_PROTOCOL;
```

### Parameters

<i>ConvertTextToDeviceNode</i>	Convert text to a device node.
<i>ConvertTextToDevicePath</i>	Convert text to a device path.

### Description

The **EFI\_DEVICE\_PATH\_FROM\_TEXT\_PROTOCOL** provides common utilities for converting text to device paths and device nodes.



## EFI\_DEVICE\_PATH\_FROM\_TEXT\_PROTOCOL.ConvertTextToDeviceNode()

### Summary

Convert text to the binary representation of a device node.

### Prototype

```
typedef
EFI_DEVICE_PATH*
(EFI_API *EFI_DEVICE_PATH_FROM_TEXT_NODE) (
    IN CONST CHAR16* TextDeviceNode,
    );
```

### Parameters

*TextDeviceNode*      *TextDeviceNode* points to the text representation of a device node. Conversion starts with the first character and continues until the first non-device node character.

### Description

This function converts text to its binary device node representation and copies it into an allocated buffer.

The memory is allocated from EFI boot services memory. It is the responsibility of the caller to free the memory allocated.

### Related Definitions

**EFI\_DEVICE\_PATH\_PROTOCOL** is defined in Section 9.2.

### Returns

This function returns a pointer to the EFI device node or NULL if *TextDeviceNode* is NULL or there was insufficient memory.

## EFI\_DEVICE\_PATH\_FROM\_PATH\_PROTOCOL.ConvertTextToDevicePath()

### Summary

Convert a text to its binary device path representation.

### Prototype

```
typedef
EFI_DEVICE_PATH*
(EFI_API *EFI_DEVICE_PATH_FROM_PATHPATH) (
    IN CONST CHAR16* TextDevicePath,
    );
```

### Parameters

*TextDevicePath*      *TextDevicePath* points to the text representation of a device path. Conversion starts with the first character and continues until the first non-device path character.

### Description

This function converts text to its binary device path representation and copies it into an allocated buffer.

The memory is allocated from EFI boot services memory. It is the responsibility of the caller to free the memory allocated.

### Related Definitions

**EFI\_DEVICE\_PATH\_PROTOCOL** is defined in Section 9.2.

### Returns

This function returns a pointer to the allocated device path or NULL if *TextDevicePath* is NULL or there was insufficient memory.

## Protocols — UEFI Driver Model

---

EFI drivers that follow the *UEFI Driver Model* are not allowed to search for controllers to manage. When a specific controller is needed, the EFI boot service `ConnectController()` is used along with the `EFI_DRIVER_BINDING_PROTOCOL` services to identify the best drivers for a controller. Once `ConnectController()` has identified the best drivers for a controller, the start service in the `EFI_DRIVER_BINDING_PROTOCOL` is used by `ConnectController()` to start each driver on the controller. Once a controller is no longer needed, it can be released with the EFI boot service `DisconnectController()`. `DisconnectController()` calls the stop service in each `EFI_DRIVER_BINDING_PROTOCOL` to stop the controller.

The driver initialization routine of an UEFI driver is not allowed to touch any device hardware. Instead, it just installs an instance of the `EFI_DRIVER_BINDING_PROTOCOL` on the `ImageHandle` of the UEFI driver. The test to determine if a driver supports a given controller must be performed in as little time as possible without causing any side effects on any of the controllers it is testing. As a result, most of the controller initialization code is present in the start and stop services of the `EFI_DRIVER_BINDING_PROTOCOL`.

### 10.1 EFI Driver Binding Protocol

This section provides a detailed description of the `EFI_DRIVER_BINDING_PROTOCOL`. This protocol is produced by every driver that follows the *UEFI Driver Model*, and it is the central component that allows drivers and controllers to be managed. It provides a service to test if a specific controller is supported by a driver, a service to start managing a controller, and a service to stop managing a controller. These services apply equally to drivers for both bus controllers and device controllers.

## EFI\_DRIVER\_BINDING\_PROTOCOL

### Summary

Provides the services required to determine if a driver supports a given controller. If a controller is supported, then it also provides routines to start and stop the controller.

### GUID

```
#define EFI_DRIVER_BINDING_PROTOCOL_GUID \
    {0x18A031AB, 0xB443, 0x4D1A, 0xA5, 0xC0, 0x0C, 0x09, 0x26, 0x1E, \
     0x9F, 0x71}
```

## Protocol Interface Structure

```
typedef struct _EFI_DRIVER_BINDING_PROTOCOL {
    EFI_DRIVER_BINDING_PROTOCOL_SUPPORTED    Supported;
    EFI_DRIVER_BINDING_PROTOCOL_START      Start;
    EFI_DRIVER_BINDING_PROTOCOL_STOP       Stop;
    UINT32                                  Version;
    EFI_HANDLE                              ImageHandle;
    EFI_HANDLE                              DriverBindingHandle;
} EFI_DRIVER_BINDING_PROTOCOL;
```

## Parameters

<i>Supported</i>	Tests to see if this driver supports a given controller. This service is called by the EFI boot service <b><u>ConnectController()</u></b> . In order to make drivers as small as possible, there are a few calling restrictions for this service. <b>ConnectController()</b> must follow these calling restrictions. If any other agent wishes to call <b><u>Supported()</u></b> it must also follow these calling restrictions. See the <b>Supported()</b> function description.
<i>Start</i>	Starts a controller using this driver. This service is called by the EFI boot service <b>ConnectController()</b> . In order to make drivers as small as possible, there are a few calling restrictions for this service. <b>ConnectController()</b> must follow these calling restrictions. If any other agent wishes to call <b><u>Start()</u></b> it must also follow these calling restrictions. See the <b>Start()</b> function description.
<i>Stop</i>	Stops a controller using this driver. This service is called by the EFI boot service <b><u>DisconnectController()</u></b> . In order to make drivers as small as possible, there are a few calling restrictions for this service. <b>DisconnectController()</b> must follow these calling restrictions. If any other agent wishes to call <b><u>Stop()</u></b> it must also follow these calling restrictions. See the <b>Stop()</b> function description.
<i>Version</i>	The version number of the UEFI driver that produced the <b>EFI_DRIVER_BINDING_PROTOCOL</b> . This field is used by the EFI boot service <b>ConnectController()</b> to determine the order that driver's <b>Supported()</b> service will be used when a controller needs to be started. EFI Driver Binding Protocol instances with higher <i>Version</i> values will be used before ones with lower <i>Version</i> values. The <i>Version</i> values of <i>0x0-0x0f</i> and <i>0xffffffff0-0xfffffffff</i> are reserved for platform/OEM specific drivers. The <i>Version</i> values of <i>0x10-0xfffffef</i> are reserved for IHV-developed drivers.

<i>ImageHandle</i>	The image handle of the UEFI driver that produced this instance of the <b>EFI_DRIVER_BINDING_PROTOCOL</b> .
<i>DriverBindingHandle</i>	The handle on which this instance of the <b>EFI_DRIVER_BINDING_PROTOCOL</b> is installed. In most cases, this is the same handle as <i>ImageHandle</i> . However, for UEFI drivers that produce more than one instance of the <b>EFI_DRIVER_BINDING_PROTOCOL</b> , this value may not be the same as <i>ImageHandle</i> .

## Description

The **EFI\_DRIVER\_BINDING\_PROTOCOL** provides a service to determine if a driver supports a given controller. If a controller is supported, then it also provides services to start and stop the controller. All UEFI drivers are required to be reentrant so they can manage one or more controllers. This requires that drivers not use global variables to store device context. Instead, they must allocate a separate context structure per controller that the driver is managing. Bus drivers must support starting and stopping the same bus multiple times, and they must also support starting and stopping all of their children, or just a subset of their children.

## EFI\_DRIVER\_BINDING\_PROTOCOL.Supported()

### Summary

Tests to see if this driver supports a given controller. If a child device is provided, it further tests to see if this driver supports creating a handle for the specified child device.

### Prototype

```
typedef
EFI_STATUS
(EFIAPI *EFI_DRIVER_BINDING_PROTOCOL_SUPPORTED) (
    IN EFI_DRIVER_BINDING_PROTOCOL *This,
    IN EFI_HANDLE ControllerHandle,
    IN EFI_DEVICE_PATH_PROTOCOL *RemainingDevicePath OPTIONAL
);
```

### Parameters

<i>This</i>	A pointer to the <b><u>EFI DRIVER BINDING PROTOCOL</u></b> instance.
<i>ControllerHandle</i>	The handle of the controller to test. This handle must support a protocol interface that supplies an I/O abstraction to the driver. Sometimes just the presence of this I/O abstraction is enough for the driver to determine if it supports <i>ControllerHandle</i> . Sometimes, the driver may use the services of the I/O abstraction to determine if this driver supports <i>ControllerHandle</i> .
<i>RemainingDevicePath</i>	A pointer to the remaining portion of a device path. This parameter is ignored by device drivers, and is optional for bus drivers. For bus drivers, if this parameter is not <b>NULL</b> , then the bus driver must determine if the bus controller specified by <i>ControllerHandle</i> and the child controller specified by <i>RemainingDevicePath</i> are both supported by this bus driver.

### Description

This function checks to see if the driver specified by *This* supports the device specified by *ControllerHandle*. Drivers will typically use the device path attached to *ControllerHandle* and/or the services from the bus I/O abstraction attached to *ControllerHandle* to determine if the driver supports *ControllerHandle*. This function may be called many times during platform initialization. In order to reduce boot times, the tests performed by this function must be very small, and take as little time as possible to execute. This function must not change the state of any hardware devices, and this function must be aware that the device specified by *ControllerHandle* may already be managed by the same driver or a different driver. This function must match its calls to **AllocatePages ()** with **FreePages ()**, **AllocatePool ()** with **FreePool ()**, and **OpenProtocol ()** with

**CloseProtocol()**. Since *ControllerHandle* may have been previously started by the same driver, if a protocol is already in the opened state, then it must not be closed with **CloseProtocol()**. This is required to guarantee the state of *ControllerHandle* is not modified by this function.

If any of the protocol interfaces on the device specified by *ControllerHandle* that are required by the driver specified by *This* are already open for exclusive access by a different driver or application, then **EFI\_ACCESS\_DENIED** is returned.

If any of the protocol interfaces on the device specified by *ControllerHandle* that are required by the driver specified by *This* are already opened by the same driver, then **EFI\_ALREADY\_STARTED** is returned. However, if the driver specified by *This* is a bus driver that is able to create one child handle at a time, then it is not an error, and the bus driver should continue with its test of *ControllerHandle*. This allows a bus driver to create one child handle on the first call to **Supported()** and **Start()**, and create additional child handles on additional calls to **Supported()** and **Start()**.

If *ControllerHandle* is not supported by *This*, then **EFI\_UNSUPPORTED** is returned.

If *This* is a bus driver that creates child handles with an **EFI\_DEVICE\_PATH\_PROTOCOL**, then *ControllerHandle* must support the **EFI\_DEVICE\_PATH\_PROTOCOL**. If it does not, then **EFI\_UNSUPPORTED** is returned.

If *ControllerHandle* is supported by *This*, and *This* is a device driver, then **EFI\_SUCCESS** is returned.

If *ControllerHandle* is supported by *This*, and *This* is a bus driver, and *RemainingDevicePath* is **NULL**, then **EFI\_SUCCESS** is returned.

If *ControllerHandle* is supported by *This*, and *This* is a bus driver, and *RemainingDevicePath* is not **NULL**, then *RemainingDevicePath* must be analyzed. If the first node of *RemainingDevicePath* is an EFI Device Path node that the bus driver recognizes and supports, then **EFI\_SUCCESS** is returned. Otherwise, **EFI\_UNSUPPORTED** is returned.

The **Supported()** function is designed to be invoked from the EFI boot service **ConnectController()**. As a result, much of the error checking on the parameters to **Supported()** has been moved into this common boot service. It is legal to call **Supported()** from other locations, but the following calling restrictions must be followed or the system behavior will not be deterministic.

*ControllerHandle* must be a valid **EFI\_HANDLE**. If *RemainingDevicePath* is not **NULL**, then it must be a pointer to a naturally aligned **EFI\_DEVICE\_PATH\_PROTOCOL** that contains at least one device path node other than the end node.

## Status Codes Returned

EFI_SUCCESS	The device specified by <i>ControllerHandle</i> and <i>RemainingDevicePath</i> is supported by the driver specified by <i>This</i> .
EFI_ALREADY_STARTED	The device specified by <i>ControllerHandle</i> and <i>RemainingDevicePath</i> is already being managed by the driver specified by <i>This</i> .
EFI_ACCESS_DENIED	The device specified by <i>ControllerHandle</i> and <i>RemainingDevicePath</i> is already being managed by a different driver or an application that requires exclusive access.
EFI_UNSUPPORTED	The device specified by <i>ControllerHandle</i> and <i>RemainingDevicePath</i> is not supported by the driver specified by <i>This</i> .

## Examples

```
extern EFI_GUID          gEfiDriverBindingProtocolGuid;
EFI_HANDLE              DriverImageHandle;
EFI_HANDLE              ControllerHandle;
EFI_DRIVER_BINDING_PROTOCOL *DriverBinding;
EFI_DEVICE_PATH_PROTOCOL *RemainingDevicePath;

//
// Use the DriverImageHandle to get the Driver Binding Protocol instance
//
Status = gBS->OpenProtocol (
    DriverImageHandle,
    &gEfiDriverBindingProtocolGuid,
    &DriverBinding,
    DriverImageHandle,
    NULL,
    EFI_OPEN_PROTOCOL_GET_PROTOCOL
);
if (EFI_ERROR (Status)) {
    return Status;
}

//
// EXAMPLE #1
//
// Use the Driver Binding Protocol instance to test to see if the
// driver specified by DriverImageHandle supports the controller
// specified by ControllerHandle
//
Status = DriverBinding->Supported (
    DriverBinding,
    ControllerHandle,
    NULL
);

return Status;
```



```

//
// EXAMPLE #2
//
// The RemainingDevicePath parameter can be used to initialize only
// the minimum devices required to boot. For example, maybe we only
// want to initialize 1 hard disk on a SCSI channel. If DriverImageHandle
// is a SCSI Bus Driver, and ControllerHandle is a SCSI Controller, and
// we only want to create a child handle for PUN=3 and LUN=0, then the
// RemainingDevicePath would be SCSI(3,0)/END. The following example
// would return EFI_SUCCESS if the SCSI driver supports creating the
// child handle for PUN=3, LUN=0. Otherwise it would return an error.
//
Status = DriverBinding->Supported (
    DriverBinding,
    ControllerHandle,
    RemainingDevicePath
);

return Status;

```

## Pseudo Code

Listed below are the algorithms for the **Supported()** function for three different types of drivers. How the **Start()** function of a driver is implemented can affect how the **Supported()** function is implemented. All of the services in the **EFI DRIVER BINDING PROTOCOL** need to work together to make sure that all resources opened or allocated in **Supported()** and **Start()** are released in **Stop()**.

The first algorithm is a simple device driver that does not create any additional handles. It only attaches one or more protocols to an existing handle. The second is a bus driver that always creates all of its child handles on the first call to **Start()**. The third is a more advanced bus driver that can either create one child handles at a time on successive calls to **Start()**, or it can create all of its child handles or all of the remaining child handles in a single call to **Start()**.

### **Device Driver:**

3. Ignore the parameter *RemainingDevicePath*.
4. Open all required protocols with **OpenProtocol()**. A standard driver should use an *Attribute* of **EFI\_OPEN\_PROTOCOL\_BY\_DRIVER**. If this driver needs exclusive access to a protocol interface, and it requires any drivers that may be using the protocol interface to disconnect, then the driver should use an *Attribute* of **EFI\_OPEN\_PROTOCOL\_BY\_DRIVER | EFI\_OPEN\_PROTOCOL\_EXCLUSIVE**.
5. If any of the calls to **OpenProtocol()** in (2) returned an error, then close all of the protocols opened in (2) with **CloseProtocol()**, and return the status code from the call to **OpenProtocol()** that returned an error.
6. Use the protocol instances opened in (2) to test to see if this driver supports the controller. Sometimes, just the presence of the protocols is enough of a test. Other times, the services of the protocols opened in (2) are used to further check the identity of the controller. If any of these tests fails, then close all the protocols opened in (2) with **CloseProtocol()** and return **EFI\_UNSUPPORTED**.
7. Close all protocols opened in (2) with **CloseProtocol()**.
8. Return **EFI\_SUCCESS**.

### **Bus Driver that creates all of its child handles on the first call to Start():**

1. Check the contents of the first Device Path Node of *RemainingDevicePath* to make sure it is a legal Device Path Node for this bus driver's children. If it is not, then return **EFI\_UNSUPPORTED**.
2. Open all required protocols with **OpenProtocol()**. A standard driver should use an *Attribute* of **EFI\_OPEN\_PROTOCOL\_BY\_DRIVER**. If this driver needs exclusive access to a protocol interface, and it requires any drivers that may be using the protocol interface to disconnect, then the driver should use an *Attribute* of **EFI\_OPEN\_PROTOCOL\_BY\_DRIVER | EFI\_OPEN\_PROTOCOL\_EXCLUSIVE**.
3. If any of the calls to **OpenProtocol()** in (2) returned an error, then close all of the protocols opened in (2) with **CloseProtocol()**, and return the status code from the call to **OpenProtocol()** that returned an error.
4. Use the protocol instances opened in (2) to test to see if this driver supports the controller. Sometimes, just the presence of the protocols is enough of a test. Other times, the services of the protocols opened in (2) are used to further check the identity of the controller. If any of these tests fails, then close all the protocols opened in (2) with **CloseProtocol()** and return **EFI\_UNSUPPORTED**.
5. Close all protocols opened in (2) with **CloseProtocol()**.
6. Return **EFI\_SUCCESS**.

### **Bus Driver that is able to create all or one of its child handles on each call to Start():**

1. Check the contents of the first Device Path Node of *RemainingDevicePath* to make sure it is a legal Device Path Node for this bus driver's children. If it is not, then return **EFI\_UNSUPPORTED**.
2. Open all required protocols with **OpenProtocol()**. A standard driver should use an *Attribute* of **EFI\_OPEN\_PROTOCOL\_BY\_DRIVER**. If this driver needs exclusive access to a protocol interface, and it requires any drivers that may be using the protocol interface to disconnect, then the driver should use an *Attribute* of **EFI\_OPEN\_PROTOCOL\_BY\_DRIVER | EFI\_OPEN\_PROTOCOL\_EXCLUSIVE**.
3. If any of the calls to **OpenProtocol()** in (2) failed with an error other than **EFI\_ALREADY\_STARTED**, then close all of the protocols opened in (2) that did not return **EFI\_ALREADY\_STARTED** with **CloseProtocol()**, and return the status code from the **OpenProtocol()** call that returned an error.
4. Use the protocol instances opened in (2) to test to see if this driver supports the controller. Sometimes, just the presence of the protocols is enough of a test. Other times, the services of the protocols opened in (2) are used to further check the identity of the controller. If any of these tests fails, then close all the protocols opened in (2) that did not return **EFI\_ALREADY\_STARTED** with **CloseProtocol()** and return **EFI\_UNSUPPORTED**.
5. Close all protocols opened in (2) that did not return **EFI\_ALREADY\_STARTED** with **CloseProtocol()**.
6. Return **EFI\_SUCCESS**.

Listed below is sample code of the **Supported()** function of device driver for a device on the XYZ bus. The XYZ bus is abstracted with the **EFI\_XYZ\_IO\_PROTOCOL**. Just the presence of the **EFI\_XYZ\_IO\_PROTOCOL** on *ControllerHandle* is enough to determine if this driver supports *ControllerHandle*. The **gBS** variable is initialized in this driver's entry point. See Chapter 4.

```
extern EFI_GUID          gEfiXYZIoProtocol;
EFI_BOOT_SERVICES_TABLE *gBS;

EFI_STATUS
AbcSupported (
    IN EFI_DRIVER_BINDING_PROTOCOL *This,
    IN EFI_HANDLE                  ControllerHandle,
    IN EFI_DEVICE_PATH_PROTOCOL    *RemainingDevicePath OPTIONAL
)
{
    EFI_STATUS      Status;
    EFI_XYZ_IO_PROTOCOL *XYZIo;

    Status = gBS->OpenProtocol (
        ControllerHandle,
        &gEfiXYZIoProtocol,
        &XYZIo,
        This->DriverBindingHandle,
        ControllerHandle,
        EFI_OPEN_PROTOCOL_BY_DRIVER
    );
    if (EFI_ERROR (Status)) {
        return Status;
    }

    gBS->CloseProtocol (
        ControllerHandle,
        &gEfiXYZIoProtocol,
        This->DriverBindingHandle,
        ControllerHandle
    );

    return EFI_SUCCESS;
}
```

## EFI\_DRIVER\_BINDING\_PROTOCOL.Start()

### Summary

Starts a device controller or a bus controller. The **Start()** and **Stop()** services of the EFI DRIVER BINDING PROTOCOL mirror each other.

### Prototype

```
typedef
EFI_STATUS
(EFIAPI *EFI_DRIVER_BINDING_PROTOCOL_START) (
    IN EFI_DRIVER_BINDING_PROTOCOL *This,
    IN EFI_HANDLE ControllerHandle,
    IN EFI_DEVICE_PATH_PROTOCOL *RemainingDevicePath
    OPTIONAL
);
```

### Parameters

<i>This</i>	A pointer to the <b>EFI_DRIVER_BINDING_PROTOCOL</b> instance.
<i>ControllerHandle</i>	The handle of the controller to start. This handle must support a protocol interface that supplies an I/O abstraction to the driver.
<i>RemainingDevicePath</i>	A pointer to the remaining portion of a device path. This parameter is ignored by device drivers, and is optional for bus drivers. For a bus driver, if this parameter is <b>NULL</b> , then handles for all the children of <i>Controller</i> are created by this driver. If this parameter is not <b>NULL</b> , then only the handle for the child device specified by the first Device Path Node of <i>RemainingDevicePath</i> is created by this driver.

### Description

This function starts the device specified by *Controller* with the driver specified by *This*. Whatever resources are allocated in **Start()** must be freed in **Stop()**. For example, every AllocatePool(), AllocatePages(), OpenProtocol(), and InstallProtocolInterface() in **Start()** must be matched with a FreePool(), FreePages(), CloseProtocol(), and UninstallProtocolInterface() in **Stop()**.

If *Controller* is started, then **EFI\_SUCCESS** is returned. If *Controller* cannot be started due to a device error, then **EFI\_DEVICE\_ERROR** is returned. If there are not enough resources to start the device or bus specified by *Controller*, then **EFI\_OUT\_OF\_RESOURCES** is returned.

If the driver specified by *This* is a device driver, then *RemainingDevicePath* is ignored.

If the driver specified by *This* is a bus driver, and *RemainingDevicePath* is **NULL**, then all of the children of *Controller* are discovered and enumerated, and a device handle is created for each child.

If the driver specified by *This* is a bus driver that is capable of creating one child handle at a time and *RemainingDevicePath* is not **NULL**, then an attempt is made to create the device handle for the child device specified by *RemainingDevicePath*. Depending on the bus type, all of the child devices may need to be discovered and enumerated, but at most only the device handle for the one child specified by *RemainingDevicePath* shall be created.

The **Start()** function is designed to be invoked from the EFI boot service **ConnectController()**. As a result, much of the error checking on the parameters to **Start()** has been moved into this common boot service. It is legal to call **Start()** from other locations, but the following calling restrictions must be followed or the system behavior will not be deterministic.

1. *ControllerHandle* must be a valid **EFI\_HANDLE**.
2. If *RemainingDevicePath* is not **NULL**, then it must be a pointer to a naturally aligned **EFI\_DEVICE\_PATH\_PROTOCOL** that contains at least one device path node other than the end node.
3. Prior to calling **Start()**, the **Supported()** function for the driver specified by *This* must have been called with the same calling parameters, and **Supported()** must have returned **EFI\_SUCCESS**.

## Status Codes Returned

EFI_SUCCESS	The device was started.
EFI_DEVICE_ERROR	The device could not be started due to a device error.
EFI_OUT_OF_RESOURCES	The request could not be completed due to a lack of resources.

## Examples

```
extern EFI_GUID          gEfiDriverBindingProtocolGuid;
EFI_HANDLE              DriverImageHandle;
EFI_HANDLE              ControllerHandle;
EFI_DRIVER_BINDING_PROTOCOL *DriverBinding;
EFI_DEVICE_PATH_PROTOCOL *RemainingDevicePath;

//
// Use the DriverImageHandle to get the Driver Binding Protocol instance
//
Status = gBS->OpenProtocol (
    DriverImageHandle,
    &gEfiDriverBindingProtocolGuid,
    &DriverBinding,
    DriverImageHandle,
    NULL,
    EFI_OPEN_PROTOCOL_GET_PROTOCOL
);
if (EFI_ERROR (Status)) {
    return Status;
}
```

```

//
// EXAMPLE #1
//
// Use the Driver Binding Protocol instance to test to see if the
// driver specified by DriverImageHandle supports the controller
// specified by ControllerHandle
//
Status = DriverBinding->Supported (
    DriverBinding,
    ControllerHandle,
    NULL
);
if (!EFI_ERROR (Status)) {
    Status = DriverBinding->Start (
        DriverBinding,
        ControllerHandle,
        NULL
    );
}

return Status;

//
// EXAMPLE #2
//
// The RemainingDevicePath parameter can be used to initialize only
// the minimum devices required to boot. For example, maybe we only
// want to initialize 1 hard disk on a SCSI channel. If DriverImageHandle
// is a SCSI Bus Driver, and ControllerHandle is a SCSI Controller, and
// we only want to create a child handle for PUN=3 and LUN=0, then the
// RemainingDevicePath would be SCSI(3,0)/END. The following example
// would return EFI_SUCCESS if the SCSI driver supports creating the
// child handle for PUN=3, LUN=0. Otherwise it would return an error.
//
Status = DriverBinding->Supported (
    DriverBinding,
    ControllerHandle,
    RemainingDevicePath
);
if (!EFI_ERROR (Status)) {
    Status = DriverBinding->Start (
        DriverBinding,
        ControllerHandle,
        RemainingDevicePath
    );
}

return Status;

```

## Pseudo Code

Listed below are the algorithms for the **Start()** function for three different types of drivers. How the **Start()** function of a driver is implemented can affect how the **Supported()** function is implemented. All of the services in the **EFI DRIVER BINDING PROTOCOL** need to work together to make sure that all resources opened or allocated in **Supported()** and **Start()** are released in **Stop()**.

The first algorithm is a simple device driver that does not create any additional handles. It only attaches one or more protocols to an existing handle. The second is a simple bus driver that always creates all of its child handles on the first call to **Start()**. It does not attach any additional protocols to the handle for the bus controller. The third is a more advanced bus driver that can either create one child handles at a time on successive calls to **Start()**, or it can create all of its child handles or all of the remaining child handles in a single call to **Start()**. Once again, it does not attach any additional protocols to the handle for the bus controller.

### **Device Driver:**

- a. Ignore the parameter *RemainingDevicePath*.
- b. Open all required protocols with **OpenProtocol()**. A standard driver should use an *Attribute* of **EFI\_OPEN\_PROTOCOL\_BY\_DRIVER**. If this driver needs exclusive access to a protocol interface, and it requires any drivers that may be using the protocol interface to disconnect, then the driver should use an *Attribute* of **EFI\_OPEN\_PROTOCOL\_BY\_DRIVER | EFI\_OPEN\_PROTOCOL\_EXCLUSIVE**. It must use the same *Attribute* value that was used in **Supported()**.
- c. If any of the calls to **OpenProtocol()** in (2) returned an error, then close all of the protocols opened in (2) with **CloseProtocol()**, and return the status code from the call to **OpenProtocol()** that returned an error.
- d. Initialize the device specified by *ControllerHandle*. If an error occurs, close all of the protocols opened in (2) with **CloseProtocol()**, and return **EFI\_DEVICE\_ERROR**.
- e. Allocate and initialize all of the data structures that this driver requires to manage the device specified by *ControllerHandle*. This would include space for public protocols and space for any additional private data structures that are related to *ControllerHandle*. If an error occurs allocating the resources, then close all of the protocols opened in (2) with **CloseProtocol()**, and return **EFI\_OUT\_OF\_RESOURCES**.
- f. Install all the new protocol interfaces onto *ControllerHandle* using **InstallMultipleProtocolInterfaces()**. If an error occurs, close all of the protocols opened in (1) with **CloseProtocol()**, and return the error from **InstallMultipleProtocolInterfaces()**.
- g. Return **EFI\_SUCCESS**.

**Bus Driver that creates all of its child handles on the first call to Start():**

1. Ignore the parameter *RemainingDevicePath*.
2. Open all required protocols with **OpenProtocol ()**. A standard driver should use an *Attribute* of **EFI\_OPEN\_PROTOCOL\_BY\_DRIVER**. If this driver needs exclusive access to a protocol interface, and it requires any drivers that may be using the protocol interface to disconnect, then the driver should use an *Attribute* of **EFI\_OPEN\_PROTOCOL\_BY\_DRIVER | EFI\_OPEN\_PROTOCOL\_EXCLUSIVE**. It must use the same *Attribute* value that was used in **Supported ()**.
3. If any of the calls to **OpenProtocol ()** in (2) returned an error, then close all of the protocols opened in (2) with **CloseProtocol ()**, and return the status code from the call to **OpenProtocol ()** that returned an error.
4. Initialize the device specified by *ControllerHandle*. If an error occurs, close all of the protocols opened in (2) with **CloseProtocol ()**, and return **EFI\_DEVICE\_ERROR**.
5. Discover all the child devices of the bus controller specified by *ControllerHandle*.
6. If the bus requires it, allocate resources to all the child devices of the bus controller specified by *ControllerHandle*.
7. FOR each child C of *ControllerHandle*:
  - a. Allocate and initialize all of the data structures that this driver requires to manage the child device C. This would include space for public protocols and space for any additional private data structures that are related to the child device C. If an error occurs allocating the resources, then close all of the protocols opened in (2) with **CloseProtocol ()**, and return **EFI\_OUT\_OF\_RESOURCES**.
  - b. If the bus driver creates device paths for the child devices, then create a device path for the child C based upon the device path attached to *ControllerHandle*.
  - c. Initialize the child device C. If an error occurs, close all of the protocols opened in (2) with **CloseProtocol ()**, and return **EFI\_DEVICE\_ERROR**.
  - d. Create a new handle for C, and install the protocol interfaces for child device C using **InstallMultipleProtocolInterfaces ()**. This may include the **EFI\_DEVICE\_PATH\_PROTOCOL**.
  - e. Call **OpenProtocol ()** on behalf of the child C with an *Attribute* of **EFI\_OPEN\_PROTOCOL\_BY\_CHILD\_CONTROLLER**.
8. END FOR
9. If the bus driver also produces protocols on *ControllerHandle*, then install all the new protocol interfaces onto *ControllerHandle* using **InstallMultipleProtocolInterfaces()**. If an error occurs, close all of the protocols opened in (2) with **CloseProtocol()**, and return the error from **InstallMultipleProtocolInterfaces()**.
10. Return **EFI\_SUCCESS**.



**Bus Driver that is able to create all or one of its child handles on each call to Start():**

- Open all required protocols with **OpenProtocol ()**. A standard driver should use an *Attribute* of **EFI\_OPEN\_PROTOCOL\_BY\_DRIVER**. If this driver needs exclusive access to a protocol interface, and it requires any drivers that may be using the protocol interface to disconnect, then the driver should use an *Attribute* of **EFI\_OPEN\_PROTOCOL\_BY\_DRIVER | EFI\_OPEN\_PROTOCOL\_EXCLUSIVE**. It must use the same *Attribute* value that was used in **Supported ()**.
- If any of the calls to **OpenProtocol ()** in (1) returned an error, then close all of the protocols opened in (1) with **CloseProtocol ()**, and return the status code from the call to **OpenProtocol ()** that returned an error.
- Initialize the device specified by *ControllerHandle*. If an error occurs, close all of the protocols opened in (1) with **CloseProtocol ()**, and return **EFI\_DEVICE\_ERROR**.
- IF *RemainingDevicePath* is not **NULL**, THEN
  - h. C is the child device specified by *RemainingDevicePath*.
  - i. Allocate and initialize all of the data structures that this driver requires to manage the child device C. This would include space for public protocols and space for any additional private data structures that are related to the child device C. If an error occurs allocating the resources, then close all of the protocols opened in (1) with **CloseProtocol ()**, and return **EFI\_OUT\_OF\_RESOURCES**.
  - j. If the bus driver creates device paths for the child devices, then create a device path for the child C based upon the device path attached to *ControllerHandle*.
  - k. Initialize the child device C.
  - l. Create a new handle for C, and install the protocol interfaces for child device C using **InstallMultipleProtocolInterfaces ()**. This may include the **EFI\_DEVICE\_PATH\_PROTOCOL**.
  - m. Call **OpenProtocol ()** on behalf of the child C with an *Attribute* of **EFI\_OPEN\_PROTOCOL\_BY\_CHILD\_CONTROLLER**.

ELSE

- Discover all the child devices of the bus controller specified by *ControllerHandle*.
- If the bus requires it, allocate resources to all the child devices of the bus controller specified by *ControllerHandle*.
- FOR each child C of *ControllerHandle*
  - a. Allocate and initialize all of the data structures that this driver requires to manage the child device C. This would include space for public protocols and space for any additional private data structures that are related to the child device C. If an error occurs allocating the resources, then close all of the protocols opened in (1) with **CloseProtocol ()**, and return **EFI\_OUT\_OF\_RESOURCES**.
  - b. If the bus driver creates device paths for the child devices, then create a device path for the child C based upon the device path attached to *ControllerHandle*.
  - c. Initialize the child device C.
  - d. Create a new handle for C, and install the protocol interfaces for child device C using **InstallMultipleProtocolInterfaces ()**. This may include the **EFI\_DEVICE\_PATH\_PROTOCOL**.

- e. Call **OpenProtocol()** on behalf of the child C with an *Attribute* of **EFI\_OPEN\_PROTOCOL\_BY\_CHILD\_CONTROLLER**.
- END FOR
- 1. END IF
- 2. If the bus driver also produces protocols on *ControllerHandle*, then install all the new protocol interfaces onto *ControllerHandle* using **InstallMultipleProtocolInterfaces()**. If an error occurs, close all of the protocols opened in (2) with **CloseProtocol()**, and return the error from **InstallMultipleProtocolInterfaces()**.
- 3. Return **EFI\_SUCCESS**.

Listed below is sample code of the **Start()** function of a device driver for a device on the XYZ bus. The XYZ bus is abstracted with the **EFI\_XYZ\_IO\_PROTOCOL**. This driver does allow the **EFI\_XYZ\_IO\_PROTOCOL** to be shared with other drivers, and just the presence of the **EFI\_XYZ\_IO\_PROTOCOL** on *ControllerHandle* is enough to determine if this driver supports *ControllerHandle*. This driver installs the **EFI\_ABC\_IO\_PROTOCOL** on *ControllerHandle*. The **gBS** variable is initialized in this driver's entry point as shown in the UEFI Driver Model examples in Section 1.6.

```
extern EFI_GUID          gEfiXyzIoProtocol;
extern EFI_GUID          gEfiAbcIoProtocol;
EFI_BOOT_SERVICES_TABLE *gBS;

EFI_STATUS
AbcStart (
    IN EFI_DRIVER_BINDING_PROTOCOL *This,
    IN EFI_HANDLE                  ControllerHandle,
    IN EFI_DEVICE_PATH_PROTOCOL    *RemainingDevicePath OPTIONAL
)
{
    EFI_STATUS          Status;
    EFI_XYZ_IO_PROTOCOL *XyzIo;
    EFI_ABC_DEVICE      AbcDevice;

    //
    // Open the Xyz I/O Protocol that this driver consumes
    //
    Status = gBS->OpenProtocol (
        ControllerHandle,
        &gEfiXyzIoProtocol,
        &XyzIo,
        This->DriverBindingHandle,
        ControllerHandle,
        EFI_OPEN_PROTOCOL_BY_DRIVER
    );
    if (EFI_ERROR (Status)) {
        return Status;
    }

    //
    // Allocate and zero a private data structure for the Abc device.
    //
    Status = gBS->AllocatePool (
        EfiBootServicesData,
```

```

        sizeof (EFI_ABC_DEVICE),
        &AbcDevice
    );
    if (EFI_ERROR (Status)) {
        goto ErrorExit;
    }
    ZeroMem (AbcDevice, sizeof (EFI_ABC_DEVICE));

    //
    // Initialize the contents of the private data structure for the Abc device.
    // This includes the XyzIo protocol instance and other private data fields
    // and the EFI_ABC_IO_PROTOCOL instance that will be installed.
    //
    AbcDevice->Signature      = EFI_ABC_DEVICE_SIGNATURE;
    AbcDevice->XyzIo         = XyzIo;

    AbcDevice->PrivateData1   = PrivateValue1;
    AbcDevice->PrivateData2   = PrivateValue2;
    . . .
    AbcDevice->PrivateDataN   = PrivateValueN;

    AbcDevice->AbcIo.Revision = EFI_ABC_IO_PROTOCOL_REVISION;
    AbcDevice->AbcIo.Func1    = AbcIoFunc1;
    AbcDevice->AbcIo.Func2    = AbcIoFunc2;
    . . .
    AbcDevice->AbcIo.FuncN    = AbcIoFuncN;

    AbcDevice->AbcIo.Data1    = Value1;
    AbcDevice->AbcIo.Data2    = Value2;
    . . .
    AbcDevice->AbcIo.DataN    = ValueN;

    //
    // Install protocol interfaces for the ABC I/O device.
    //
    Status = gBS->InstallMultipleProtocolInterfaces (
        &ControllerHandle,
        &gEfiAbcIoProtocolGuid, &AbcDevice->AbcIo,
        NULL
    );
    if (EFI_ERROR (Status)) {
        goto ErrorExit;
    }

    return EFI_SUCCESS;

ErrorExit:
    //
    // When there is an error, the private data structures need to be freed and
    // the protocols that were opened need to be closed.
    //
    if (AbcDevice != NULL) {
        gBS->FreePool (AbcDevice);
    }
    gBS->CloseProtocol (
        ControllerHandle,
        &gEfiXyzIoProtocolGuid,
        This->DriverBindingHandle,
        ControllerHandle
    );
    return Status;
}

```

## EFI\_DRIVER\_BINDING\_PROTOCOL.Stop()

### Summary

Stops a device controller or a bus controller. The Start() and **Stop()** services of the EFI\_DRIVER\_BINDING\_PROTOCOL mirror each other.

### Prototype

```
typedef
EFI_STATUS
(EFIAPI *EFI_DRIVER_BINDING_PROTOCOL_STOP) (
    IN EFI_DRIVER_BINDING_PROTOCOL *This,
    IN EFI_HANDLE ControllerHandle,
    IN UINTN NumberOfChildren,
    IN EFI_HANDLE *ChildHandleBuffer OPTIONAL
);
```

### Parameters

<i>This</i>	A pointer to the <b>EFI_DRIVER_BINDING_PROTOCOL</b> instance. Type <b>EFI_DRIVER_BINDING_PROTOCOL</b> is defined in Section 10.1.
<i>ControllerHandle</i>	A handle to the device being stopped. The handle must support a bus specific I/O protocol for the driver to use to stop the device.
<i>NumberOfChildren</i>	The number of child device handles in <i>ChildHandleBuffer</i> .
<i>ChildHandleBuffer</i>	An array of child handles to be freed. May be <b>NULL</b> if <i>NumberOfChildren</i> is 0.

### Description

This function performs different operations depending on the parameter *NumberOfChildren*. If *NumberOfChildren* is not zero, then the driver specified by *This* is a bus driver, and it is being requested to free one or more of its child handles specified by *NumberOfChildren* and *ChildHandleBuffer*. If all of the child handles are freed, then **EFI\_SUCCESS** is returned. If *NumberOfChildren* is zero, then the driver specified by *This* is either a device driver or a bus driver, and it is being requested to stop the controller specified by *ControllerHandle*. If *ControllerHandle* is stopped, then **EFI\_SUCCESS** is returned. In either case, this function is required to undo what was performed in **Start()**. Whatever resources are allocated in **Start()** must be freed in **Stop()**. For example, every AllocatePool(), AllocatePages(), OpenProtocol(), and InstallProtocolInterface() in **Start()** must be matched with a FreePool(), FreePages(), CloseProtocol(), and UninstallProtocolInterface() in **Stop()**.

If *ControllerHandle* cannot be stopped, then **EFI\_DEVICE\_ERROR** is returned. If, for some reason, there are not enough resources to stop *ControllerHandle*, then **EFI\_OUT\_OF\_RESOURCES** is returned.

The **Stop()** function is designed to be invoked from the EFI boot service **DisconnectController()**. As a result, much of the error checking on the parameters to **Stop()** has been moved into this common boot service. It is legal to call **Stop()** from other locations, but the following calling restrictions must be followed or the system behavior will not be deterministic.

- A *ControllerHandle* must be a valid **EFI\_HANDLE** that was used on a previous call to this same driver's **Start()** function.
- B The first *NumberOfChildren* handles of *ChildHandleBuffer* must all be a valid **EFI\_HANDLE**. In addition, all of these handles must have been created in this driver's **Start()** function, and the **Start()** function must have called **OpenProtocol()** on *ControllerHandle* with an *Attribute* of **EFI\_OPEN\_PROTOCOL\_BY\_CHILD\_CONTROLLER**.

## Status Codes Returned

EFI_SUCCESS	The device was stopped.
EFI_DEVICE_ERROR	The device could not be stopped due to a device error.

## Examples

```
extern EFI_GUID                gEfiDriverBindingProtocolGuid;
EFI_HANDLE                    DriverImageHandle;
EFI_HANDLE                    ControllerHandle;
EFI_HANDLE                    ChildHandle;
EFI_DRIVER_BINDING_PROTOCOL   *DriverBinding;

//
// Use the DriverImageHandle to get the Driver Binding Protocol instance
//
Status = gBS->OpenProtocol (
    DriverImageHandle,
    &gEfiDriverBindingProtocolGuid,
    &DriverBinding,
    DriverImageHandle,
    NULL,
    EFI_OPEN_PROTOCOL_GET_PROTOCOL
);
if (EFI_ERROR (Status)) {
    return Status;
}

//
// Use the Driver Binding Protocol instance to free the child
// specified by ChildHandle. Then, use the Driver Binding
// Protocol to stop ControllerHandle.
//
```

```

Status = DriverBinding->Stop (
    DriverBinding,
    ControllerHandle,
    1,
    &ChildHandle
);

Status = DriverBinding->Stop (
    DriverBinding,
    ControllerHandle,
    0,
    NULL
);

```

## Pseudo Code

### Device Driver:

1. Uninstall all the protocols that were installed onto *ControllerHandle* in **Start()**.
2. Close all the protocols that were opened on behalf of *ControllerHandle* in **Start()**.
3. Free all the structures that were allocated on behalf of *ControllerHandle* in **Start()**.
4. Return **EFI\_SUCCESS**.

### Bus Driver that creates all of its child handles on the first call to Start():

#### Bus Driver that is able to create all or one of its child handles on each call to Start():

1. IF *NumberOfChildren* is zero THEN:
  - a. Uninstall all the protocols that were installed onto *ControllerHandle* in **Start()**.
  - b. Close all the protocols that were opened on behalf of *ControllerHandle* in **Start()**.
  - c. Free all the structures that were allocated on behalf of *ControllerHandle* in **Start()**.
2. ELSE
  - FOR each child C in *ChildHandleBuffer*
    - Uninstall all the protocols that were installed onto C in **Start()**.
    - Close all the protocols that were opened on behalf of C in **Start()**.
    - Free all the structures that were allocated on behalf of C in **Start()**.
  - END FOR
3. END IF
4. Return **EFI\_SUCCESS**.

Listed below is sample code of the `Stop()` function of a device driver for a device on the XYZ bus. The XYZ bus is abstracted with the `EFI_XYZ_IO_PROTOCOL`. This driver does allow the `EFI_XYZ_IO_PROTOCOL` to be shared with other drivers, and just the presence of the `EFI_XYZ_IO_PROTOCOL` on `ControllerHandle` is enough to determine if this driver supports `ControllerHandle`. This driver installs the `EFI_ABC_IO_PROTOCOL` on `ControllerHandle` in `Start()`. The `gBS` variable is initialized in this driver's entry point. See Chapter 4.

```
extern EFI_GUID          gEfiXyzIoProtocol;
extern EFI_GUID          gEfiAbcIoProtocol;
EFI_BOOT_SERVICES_TABLE *gBS;

EFI_STATUS
AbcStop (
    IN EFI_DRIVER_BINDING_PROTOCOL *This,
    IN EFI_HANDLE                  ControllerHandle
    IN UINTN                        NumberOfChildren,
    IN EFI_HANDLE                  *ChildHandleBuffer OPTIONAL
)
{
    EFI_STATUS      Status;
    EFI_ABC_IO      AbcIo;
    EFI_ABC_DEVICE  AbcDevice;

    //
    // Get our context back
    //
    Status = gBS->OpenProtocol (
        ControllerHandle,
        &gEfiAbcIoProtocolGuid,
        &AbcIo,
        This->DriverBindingHandle,
        ControllerHandle,
        EFI_OPEN_PROTOCOL_GET_PROTOCOL
    );
    if (EFI_ERROR (Status)) {
        return EFI_UNSUPPORTED;
    }

    //
    // Use Containment Record Macro to get AbcDevice structure from
    // a pointer to the AbcIo structure within the AbcDevice structure.
    //
    AbcDevice = ABC_IO_PRIVATE_DATA_FROM_THIS (AbcIo);
}
```

```

//
// Uninstall the protocol installed in Start()
//
Status = gBS->UninstallMultipleProtocolInterfaces (
    ControllerHandle,
    &gEfiAbcIoProtocolGuid, &AbcDevice->AbcIo,
    NULL
);
if (!EFI_ERROR (Status)) {

    //
    // Close the protocol opened in Start()
    //
    Status = gBS->CloseProtocol (
        ControllerHandle,
        &gEfiXyzIoProtocolGuid,
        This->DriverBindingHandle,
        ControllerHandle
    );

    //
    // Free the structure allocated in Start().
    //
    gBS->FreePool (AbcDevice);
}

return Status;
}

```



## 10.2 EFI Platform Driver Override Protocol

This section provides a detailed description of the **EFI\_PLATFORM\_DRIVER\_OVERRIDE\_PROTOCOL**. This protocol can override the default algorithm for matching drivers to controllers.

### EFI\_PLATFORM\_DRIVER\_OVERRIDE\_PROTOCOL

#### Summary

This protocol matches one or more drivers to a controller. A platform driver produces this protocol, and it is installed on a separate handle. This protocol is used by the **ConnectController()** boot service to select the best driver for a controller. All of the drivers returned by this protocol have a higher precedence than drivers found from an EFI Bus Specific Driver Override Protocol or drivers found from the general EFI driver Binding search algorithm. If more than one driver is returned by this protocol, then the drivers are returned in order from highest precedence to lowest precedence.

#### GUID

```
#define EFI_PLATFORM_DRIVER_OVERRIDE_PROTOCOL_GUID \
    {0x6b30c738, 0xa391, 0x11d4, 0x9a, 0x3b, 0x00, 0x90, 0x27, 0x3f,
     0xc1, 0x4d}
```

#### Protocol Interface Structure

```
typedef struct _EFI_PLATFORM_DRIVER_OVERRIDE_PROTOCOL {
    EFI_PLATFORM_DRIVER_OVERRIDE_GET_DRIVER           GetDriver;
    EFI_PLATFORM_DRIVER_OVERRIDE_GET_DRIVER_PATH      GetDriverPath;
    EFI_PLATFORM_DRIVER_OVERRIDE_DRIVER_LOADED        DriverLoaded;
} EFI_PLATFORM_DRIVER_OVERRIDE_PROTOCOL;
```

#### Parameters

<i>GetDriver</i>	Retrieves the image handle of a platform override driver for a controller in the system. See the <b>GetDriver()</b> function description.
<i>GetDriverPath</i>	Retrieves the device path of a platform override driver for a controller in the system. See the <b>GetDriverPath()</b> function description.
<i>DriverLoaded</i>	This function is used after a driver has been loaded using a device path returned by <b>GetDriverPath()</b> . This function associates a device path to an image handle, so the image handle can be returned the next time that <b>GetDriver()</b> is called for the same controller. See the <b>DriverLoaded()</b> function description.

## Description

The **EFI\_PLATFORM\_DRIVER\_OVERRIDE\_PROTOCOL** is used by the EFI boot service **ConnectController()** to determine if there is a platform specific driver override for a controller that is about to be started. The bus drivers in a platform will use a bus defined matching algorithm for matching drivers to controllers. This protocol allows the platform to override the bus driver's default driver matching algorithm. This protocol can be used to specify the drivers for on-board devices whose drivers may be in a system ROM not directly associated with the on-board controller, or it can even be used to manage the matching of drivers and controllers in add-in cards. This can be very useful if there are two adapters that are identical except for the revision of the driver in the adapter's ROM. This protocol, along with a platform configuration utility, could specify which of the two drivers to use for each of the adapters.

The drivers that this protocol returns can be either in the form of an image handle or a device path. **ConnectController()** can only use image handles, so **ConnectController()** is required to use the **GetDriver()** service. A different component, such as the Boot Manager, will have to use the **GetDriverPath()** service to retrieve the list of drivers that need to be loaded from I/O devices. Once a driver has been loaded and started, this same component can use the **DriverLoaded()** service to associate the device path of a driver with the image handle of the loaded driver. Once this association has been established, the image handle can then be returned by the **GetDriver()** service the next time it is called by **ConnectController()**.

## EFI\_PLATFORM\_DRIVER\_OVERRIDE\_PROTOCOL.GetDriver()

### Summary

Retrieves the image handle of the platform override driver for a controller in the system.

### Prototype

```
typedef
EFI_STATUS
(EFIAPI *EFI_PLATFORM_DRIVER_OVERRIDE_GET_DRIVER) (
    IN      EFI_PLATFORM_DRIVER_OVERRIDE_PROTOCOL *This,
    IN      EFI_HANDLE                           ControllerHandle,
    IN OUT  EFI_HANDLE                           *DriverImageHandle
);
```

### Parameters

<i>This</i>	A pointer to the <b><u>EFI_PLATFORM_DRIVER_OVERRIDE_PROTOCOL</u></b> instance.
<i>ControllerHandle</i>	The device handle of the controller to check if a driver override exists.
<i>DriverImageHandle</i>	On input, a pointer to the previous driver image handle returned by <b>GetDriver()</b> . On output, a pointer to the next driver image handle. Passing in a <b>NULL</b> , will return the first driver image handle for <i>ControllerHandle</i> .

### Description

This function is used to retrieve a driver image handle that is selected in a platform specific manner. The first driver image handle is retrieved by passing in a *DriverImageHandle* value of **NULL**. This will cause the first driver image handle to be returned in *DriverImageHandle*. On each successive call, the previous value of *DriverImageHandle* must be passed in. If a call to this function returns a valid driver image handle, then **EFI\_SUCCESS** is returned. This process is repeated until **EFI\_NOT\_FOUND** is returned. If a *DriverImageHandle* is passed in that was not returned on a prior call to this function, then **EFI\_INVALID\_PARAMETER** is returned. If *ControllerHandle* is not a valid **EFI\_HANDLE**, then **EFI\_INVALID\_PARAMETER** is returned. The first driver image handle has the highest precedence, and the last driver image handle has the lowest precedence. This ordered list of driver image handles is used by the boot service **ConnectController()** to search for the best driver for a controller.

## Status Codes Returned

EFI_SUCCESS	The driver override for <i>ControllerHandle</i> was returned in <i>DriverImageHandle</i> .
EFI_NOT_FOUND	A driver override for <i>ControllerHandle</i> was not found.
EFI_INVALID_PARAMETER	The handle specified by <i>ControllerHandle</i> is not a valid handle.
EFI_INVALID_PARAMETER	<i>DriverImageHandle</i> is not a handle that was returned on a previous call to <b>GetDriver()</b> .

## EFI\_PLATFORM\_DRIVER\_OVERRIDE\_PROTOCOL.GetDriverPath()

### Summary

Retrieves the device path of the platform override driver for a controller in the system.

### Prototype

```
typedef
EFI_STATUS
(EFIAPI *EFI_PLATFORM_DRIVER_OVERRIDE_GET_DRIVER_PATH) (
    IN      EFI_PLATFORM_DRIVER_OVERRIDE_PROTOCOL  *This,
    IN      EFI_HANDLE                             ControllerHandle,
    IN OUT  EFI_DEVICE_PATH_PROTOCOL              **DriverImagePath
);
```

### Parameters

<i>This</i>	A pointer to the <b><u>EFI_PLATFORM_DRIVER_OVERRIDE_PROTOCOL</u></b> instance.
<i>ControllerHandle</i>	The device handle of the controller to check if a driver override exists.
<i>DriverImagePath</i>	On input, a pointer to the previous driver device path returned by <b>GetDriverPath()</b> . On output, a pointer to the next driver device path. Passing in a pointer to <b>NULL</b> , will return the first driver device path for <i>ControllerHandle</i> .

### Description

This function is used to retrieve a driver device path that is selected in a platform specific manner. The first driver device path is retrieved by passing in a *DriverImagePath* value that is a pointer to **NULL**. This will cause the first driver device path to be returned in *DriverImagePath*. On each successive call, the previous value of *DriverImagePath* must be passed in. If a call to this function returns a valid driver device path, then **EFI\_SUCCESS** is returned. This process is repeated until **EFI\_NOT\_FOUND** is returned. If a *DriverImagePath* is passed in that was not returned on a prior call to this function, then **EFI\_INVALID\_PARAMETER** is returned. If *ControllerHandle* is not a valid **EFI\_HANDLE**, then **EFI\_INVALID\_PARAMETER** is returned. The first driver device path has the highest precedence, and the last driver device path has the lowest precedence. This ordered list of driver device paths is used by a platform specific component, such as the EFI Boot Manager, to load and start the platform override drivers by using the EFI boot services **LoadImage()** and **StartImage()**. Each time one of these drivers is loaded and started, the **DriverLoaded()** service is called.

## Status Codes Returned

EFI_SUCCESS	The driver override for <i>ControllerHandle</i> was returned in <i>DriverImagePath</i> .
EFI_UNSUPPORTED	The operation is not supported.
EFI_NOT_FOUND	A driver override for <i>ControllerHandle</i> was not found.
EFI_INVALID_PARAMETER	The handle specified by <i>ControllerHandle</i> is not a valid handle.
EFI_INVALID_PARAMETER	<i>DriverImagePath</i> is not a device path that was returned on a previous call to <b>GetDriverPath()</b> .

## EFI\_PLATFORM\_DRIVER\_OVERRIDE\_PROTOCOL.DriverLoaded()

### Summary

Used to associate a driver image handle with a device path that was returned on a prior call to the [GetDriverPath\(\)](#) service. This driver image handle will then be available through the [GetDriver\(\)](#) service.

### Prototype

```
typedef
EFI_STATUS
(EFIAPI *EFI_PLATFORM_DRIVER_OVERRIDE_DRIVER_LOADED) (
    IN EFI_PLATFORM_DRIVER_OVERRIDE_PROTOCOL *This,
    IN EFI_HANDLE ControllerHandle,
    IN EFI_DEVICE_PATH_PROTOCOL *DriverImagePath,
    IN EFI_HANDLE DriverImageHandle
);
```

### Parameters

<i>This</i>	A pointer to the <a href="#">EFI_PLATFORM_DRIVER_OVERRIDE_PROTOCOL</a> instance.
<i>ControllerHandle</i>	The device handle of a controller. This must match the controller handle that was used in a prior call to <a href="#">GetDriver()</a> to retrieve <i>DriverImagePath</i> .
<i>DriverImagePath</i>	A pointer to the driver device path that was returned in a prior call to <a href="#">GetDriverPath()</a> .
<i>DriverImageHandle</i>	The driver image handle that was returned by <a href="#">LoadImage()</a> when the driver specified by <i>DriverImagePath</i> was loaded into memory.

### Description

This function associates the image handle specified by *DriverImageHandle* with the device path of a driver specified by *DriverImagePath*. *DriverImagePath* must be a value that was returned on a prior call to [GetDriverPath\(\)](#) for the controller specified by *ControllerHandle*. Once this association has been established, then the service [GetDriver\(\)](#) must return *DriverImageHandle* as one of the override drivers for the controller specified by *ControllerHandle*.

If the association between the image handle specified by *DriverImageHandle* and the device path specified by *DriverImagePath* is established for the controller specified by *ControllerHandle*, then **EFI\_SUCCESS** is returned. If *ControllerHandle* is not a valid **EFI\_HANDLE**, or *DriverImagePath* is not a valid device path, or *DriverImageHandle* is not a valid **EFI\_HANDLE**, then **EFI\_INVALID\_PARAMETER** is returned. If *DriverImagePath* is not a device path that was returned on a prior call to **GetDriverPath()** for the controller specified by *ControllerHandle*, then **EFI\_NOT\_FOUND** is returned.

## Status Codes Returned

EFI_SUCCESS	The association between <i>DriverImagePath</i> and <i>DriverImageHandle</i> was established for the controller specified by <i>ControllerHandle</i> .
EFI_UNSUPPORTED	The operation is not supported.
EFI_NOT_FOUND	<i>DriverImagePath</i> is not a device path that was returned on a prior call to <b>GetDriverPath()</b> for the controller specified by <i>ControllerHandle</i> .
EFI_INVALID_PARAMETER	<i>ControllerHandle</i> is not a valid device handle.
EFI_INVALID_PARAMETER	<i>DriverImagePath</i> is not a valid device path.
EFI_INVALID_PARAMETER	<i>DriverImageHandle</i> is not a valid image handle.



## 10.3 EFI Bus Specific Driver Override Protocol

This section provides a detailed description of the **EFI\_BUS\_SPECIFIC\_DRIVER\_OVERRIDE\_PROTOCOL**. Bus drivers that have a bus specific algorithm for matching drivers to controllers are required to produce this protocol for each controller. For example, a PCI Bus Driver will produce an instance of this protocol for every PCI controller that has a PCI option ROM that contains one or more UEFI drivers. The protocol instance is attached to the handle of the PCI controller.

### EFI\_BUS\_SPECIFIC\_DRIVER\_OVERRIDE\_PROTOCOL

#### Summary

This protocol matches one or more drivers to a controller. This protocol is produced by a bus driver, and it is installed on the child handles of buses that require a bus specific algorithm for matching drivers to controllers. This protocol is used by the **ConnectController()** boot service to select the best driver for a controller. All of the drivers returned by this protocol have a higher precedence than drivers found in the general EFI Driver Binding search algorithm, but a lower precedence than those drivers returned by the EFI Platform Driver Override Protocol. If more than one driver image handle is returned by this protocol, then the drivers image handles are returned in order from highest precedence to lowest precedence.

#### GUID

```
#define EFI_BUS_SPECIFIC_DRIVER_OVERRIDE_PROTOCOL_GUID \  
    {0x3bc1b285, 0x8a15, 0x4a82, 0xaa, 0xbf, 0x4d, 0x7d, 0x13, 0xfb, \  
    0x32, 0x65}
```

#### Protocol Interface Structure

```
typedef struct _EFI_BUS_SPECIFIC_DRIVER_OVERRIDE_PROTOCOL {  
    EFI_BUS_SPECIFIC_DRIVER_OVERRIDE_GET_DRIVER GetDriver;  
} EFI_BUS_SPECIFIC_DRIVER_OVERRIDE_PROTOCOL;
```

#### Parameters

*GetDriver* Uses a bus specific algorithm to retrieve a driver image handle for a controller. See the **GetDriver()** function description.

#### Description

The **EFI\_BUS\_SPECIFIC\_DRIVER\_OVERRIDE\_PROTOCOL** provides a mechanism for bus drivers to override the default driver selection performed by the **ConnectController()** boot service. This protocol is attached to the handle of a child device after the child handle is created by the bus driver. The service in this protocol can return a bus specific override driver to **ConnectController()**. **ConnectController()** must call this service until all of the bus specific override drivers have been retrieved. **ConnectController()** uses this information along with the EFI Platform Driver Override Protocol and all of the EFI Driver Binding protocol instances to select the best drivers for a controller. Since a controller can be managed by more than one driver, this protocol can return more than one bus specific override driver.

## EFI\_BUS\_SPECIFIC\_DRIVER\_OVERRIDE\_PROTOCOL.GetDriver()

### Summary

Uses a bus specific algorithm to retrieve a driver image handle for a controller.

### Prototype

```
typedef
EFI_STATUS
(EFIAPI *EFI_BUS_SPECIFIC_DRIVER_OVERRIDE_GET_DRIVER) (
    IN      EFI_BUS_SPECIFIC_DRIVER_OVERRIDE_PROTOCOL *This,
    IN OUT EFI_HANDLE                                *DriverImageHandle
);
```

### Parameters

<i>This</i>	A pointer to the <b>EFI_BUS_SPECIFIC_DRIVER_OVERRIDE_PROTOCOL</b> instance.
<i>DriverImageHandle</i>	On input, a pointer to the previous driver image handle returned by <b>GetDriver()</b> . On output, a pointer to the next driver image handle. Passing in a <b>NULL</b> , will return the first driver image handle.

### Description

This function is used to retrieve a driver image handle that is selected in a bus specific manner. The first driver image handle is retrieved by passing in a *DriverImageHandle* value of **NULL**. This will cause the first driver image handle to be returned in *DriverImageHandle*. On each successive call, the previous value of *DriverImageHandle* must be passed in. If a call to this function returns a valid driver image handle, then **EFI\_SUCCESS** is returned. This process is repeated until **EFI\_NOT\_FOUND** is returned. If a *DriverImageHandle* is passed in that was not returned on a prior call to this function, then **EFI\_INVALID\_PARAMETER** is returned. The first driver image handle has the highest precedence, and the last driver image handle has the lowest precedence. This ordered list of driver image handles is used by the boot service **ConnectController()** to search for the best driver for a controller.

### Status Codes Returned

EFI_SUCCESS	A bus specific override driver is returned in <i>DriverImageHandle</i> .
EFI_NOT_FOUND	The end of the list of override drivers was reached. A bus specific override driver is not returned in <i>DriverImageHandle</i> .
EFI_INVALID_PARAMETER	<i>DriverImageHandle</i> is not a handle that was returned on a previous call to <b>GetDriver()</b> .

## 10.4 EFI Driver Configuration Protocol

This section provides a detailed description of the **EFI\_DRIVER\_CONFIGURATION\_PROTOCOL**. This is a protocol that allows an UEFI driver to provide the ability to set controller specific options on a controller that the driver is managing. Unlike legacy option ROMs, the configuration of drivers and controllers is delayed until a platform management utility chooses to use the services of this protocol. UEFI drivers are not allowed to perform setup-like operations outside the context of this protocol. This means that a driver is not allowed to interact with the user outside the context of this protocol.

### EFI\_DRIVER\_CONFIGURATION\_PROTOCOL

#### Summary

Used to set configuration options for a controller that a UEFI driver is managing.

#### GUID

```
#define EFI_DRIVER_CONFIGURATION_PROTOCOL_GUID \
    {0xbfd7dc1d, 0x24f1, 0x40d9, 0x82, 0xe7, 0x2e, 0x09, 0xbb, 0x6b, \
     0x4e, 0xbe}
```

#### Protocol Interface Structure

```
typedef struct _EFI_DRIVER_CONFIGURATION_PROTOCOL {
    EFI_DRIVER_CONFIGURATION_SET_OPTIONS      SetOptions;
    EFI_DRIVER_CONFIGURATION_OPTIONS_VALID    OptionsValid;
    EFI_DRIVER_CONFIGURATION_FORCE_DEFAULTS   ForceDefaults;
    CHAR8                                     *SupportedLanguages;
} EFI_DRIVER_CONFIGURATION_PROTOCOL;
```

#### Parameters

<i>SetOptions</i>	Allows the use to set drivers specific configuration options for a controller that the driver is currently managing. See the <a href="#"><u>SetOptions()</u></a> function description.
<i>OptionsValid</i>	Tests to see if a controller's current configuration options are valid. See the <a href="#"><u>OptionsValid()</u></a> function description.
<i>ForceDefaults</i>	Forces a driver to set the default configuration options for a controller. See the <a href="#"><u>ForceDefaults()</u></a> function description.
<i>SupportedLanguages</i>	A Null-terminated ASCII string that contains one or more supported language codes. This is the list of language codes that this protocol supports. The number of languages supported by a driver is up to the driver writer. <i>SupportedLanguages</i> is specified in RFC 3066 format. See Appendix M for the format of language codes and language code arrays.

## Description

The **EFI\_DRIVER\_CONFIGURATION\_PROTOCOL** is used by a platform management utility to allow the user to set controller specific options. This protocol is optionally attached to the image handle of driver in the driver's entry point. The platform management utility can collect all the **EFI\_DRIVER\_CONFIGURATION\_PROTOCOL** instances present in the system, and present the user with a menu of the controllers than have user selectable options. This platform management utility is invoked through a platform component such as the EFI Boot Manager.

## EFI\_DRIVER\_CONFIGURATION\_PROTOCOL.SetOptions()

### Summary

Allows the user to set controller specific options for a controller that a driver is currently managing.

### Prototype

```
typedef
EFI_STATUS
(EFIAPI *EFI_DRIVER_CONFIGURATION_SET_OPTIONS) (
    IN EFI_DRIVER_CONFIGURATION_PROTOCOL *This,
    IN EFI_HANDLE ControllerHandle,
    IN EFI_HANDLE ChildHandle OPTIONAL,
    IN CHAR8 *Language,
    OUT EFI_DRIVER_CONFIGURATION_ACTION_REQUIRED *ActionRequired
);
```

### Parameters

<i>This</i>	A pointer to the <u>EFI_DRIVER_CONFIGURATION_PROTOCOL</u> instance.
<i>ControllerHandle</i>	The handle of the controller to set options on. If <i>ControllerHandle</i> is a valid <b>EFI_HANDLE</b> that is being managed by this driver, then the user will be allowed to set options for the controller specified by <i>ControllerHandle</i> . If this parameter is <b>NULL</b> , then the options will be set for all the controllers that this driver is currently managing. If <i>ControllerHandle</i> is <b>NULL</b> , then setting options for a child controller is not supported, so <i>ChildHandle</i> must also be <b>NULL</b> .
<i>ChildHandle</i>	The handle of the child controller to set options on. This is an optional parameter that may be <b>NULL</b> . It will be <b>NULL</b> for device drivers, and for bus drivers that attempt to set options for the bus controller. It will not be <b>NULL</b> for a bus driver that attempts to set options for one of its child controllers.
<i>Language</i>	A pointer to a Null-terminated ASCII string array indicating the language. This is the language of the user interface that should be presented to the user, and it must match one of the languages specified in <i>SupportedLanguages</i> . The number of languages supported by a driver is up to the driver writer. <i>Language</i> is specified in RFC 3066 language code format. See <b>Appendix M</b> for the format of language codes.
<i>ActionRequired</i>	A pointer to the action that the calling agent is required to perform when this function returns. See "Related Definitions" for a list of the actions that the calling agent is required to perform prior to accessing <i>ControllerHandle</i> again.

## Description

This function allows the configuration options to be set for the driver specified by *This* on the controller specified by *ControllerHandle* and *ChildHandle*. This function must only use the **EFI\_SIMPLE\_TEXT\_INPUT\_PROTOCOL** and **EFI\_SIMPLE\_TEXT\_OUPUT\_PROTOCOL** from the **EFI\_SYSTEM\_TABLE** to interact with the user, and it must use the language specified by *Language*. If the driver specified by *This* does not support the language specified by *Language*, then **EFI\_UNSUPPORTED** is returned. If the controller specified by *ControllerHandle* and *ChildHandle* is not supported by the driver specified by *This*, then **EFI\_UNSUPPORTED** is returned. If a device error occurs while setting the configuration options, **EFI\_DEVICE\_ERROR** is returned. If there are not enough resources available to set the configuration options, then **EFI\_OUT\_OF\_RESOURCES** is returned.

The *ActionRequired* return value must always be set to a legal value by this function. The caller must perform the required action regardless of the return status. The calling agent must also perform the action described by *ActionRequired* prior to using any of the services produced by *ControllerHandle* or any of its children.

## Related Definitions

```
/**
//*****
// EFI_DRIVER_CONFIGURATION_ACTION_REQUIRED
//*****
typedef enum {
    EfiDriverConfigurationActionNone           = 0,
    EfiDriverConfigurationActionStopController = 1,
    EfiDriverConfigurationActionRestartController = 2,
    EfiDriverConfigurationActionRestartPlatform = 3,
    EfiDriverConfigurationActionMaximum
} EFI_DRIVER_CONFIGURATION_ACTION_REQUIRED;
```

### EfiDriverConfigurationActionNone

The controller specified by *ControllerHandle* is still in a usable state. No actions are required before this controller can be used again.

### EfiDriverConfigurationStopController

The driver has detected that the controller specified by *ControllerHandle* is not in a usable state, and it needs to be stopped. The calling agent can use the **DisconnectController()** service to perform this operation, and it should be performed as soon as possible.

### EfiDriverConfigurationRestartController

This controller specified by *ControllerHandle* needs to be stopped and restarted before it can be used again. The calling agent can use the **DisconnectController()** and **ConnectController()** services to perform this operation. The restart operation can be delayed until all of the configuration options have been set.

## EfiDriverConfigurationRestartPlatform

A configuration change has been made that requires the platform to be restarted before the controller specified by *ControllerHandle* can be used again. The calling agent can use the **ResetSystem()** services to perform this operation. The restart operation can be delayed until all of the configuration options have been set.

### Status Codes Returned

EFI_SUCCESS	The driver specified by <i>This</i> successfully set the configuration options for the controller specified by <i>ControllerHandle</i> .
EFI_INVALID_PARAMETER	<i>ControllerHandle</i> is not a valid <b>EFI_HANDLE</b> .
EFI_INVALID_PARAMETER	The driver specified by <i>This</i> is not a device driver, and <i>ChildHandle</i> is not <b>NULL</b> , and <i>ChildHandle</i> is not a valid <b>EFI_HANDLE</b> .
EFI_INVALID_PARAMETER	<i>ActionRequired</i> is <b>NULL</b> .
EFI_UNSUPPORTED	The driver specified by <i>This</i> does not support setting configuration options for the controller specified by <i>ControllerHandle</i> and <i>ChildHandle</i> .
EFI_UNSUPPORTED	The driver specified by <i>This</i> does not support the language specified by <i>Language</i> .
EFI_DEVICE_ERROR	A device error occurred while attempt to set the configuration options for the controller specified by <i>ControllerHandle</i> and <i>ChildHandle</i> .
EFI_OUT_RESOURCES	There are not enough resources available to set the configuration options for the controller specified by <i>ControllerHandle</i> and <i>ChildHandle</i> .

## EFI\_DRIVER\_CONFIGURATION\_PROTOCOL.OptionsValid()

### Summary

Tests to see if a controller's current configuration options are valid.

### Prototype

```
typedef
EFI_STATUS
(EFIAPI *EFI_DRIVER_CONFIGURATION_OPTIONS_VALID) (
    IN EFI_DRIVER_CONFIGURATION_PROTOCOL *This,
    IN EFI_HANDLE ControllerHandle,
    IN EFI_HANDLE ChildHandle OPTIONAL
);
```

### Parameters

<i>This</i>	A pointer to the <u>EFI_DRIVER_CONFIGURATION_PROTOCOL</u> instance.
<i>ControllerHandle</i>	The handle of the controller to test if its current configuration options are valid.
<i>ChildHandle</i>	The handle of the child controller to test if its current configuration options are valid. This is an optional parameter that may be <b>NULL</b> . It will be <b>NULL</b> for device drivers. It will also be <b>NULL</b> for bus drivers that attempt to test the configuration options for the bus controller. It will not be <b>NULL</b> for a bus driver that attempts to test configuration options for one of its child controllers.

### Description

This function tests to see if the configuration options for the driver specified by *This* on the controller specified by *ControllerHandle* and *ChildHandle* are valid. If they are, then **EFI\_SUCCESS** is returned. If they are not valid, then **EFI\_DEVICE\_ERROR** is returned. If the controller specified by *ControllerHandle* and *ChildHandle* is not currently being managed by the driver specified by *This*, then **EFI\_UNSUPPORTED** is returned. This function is not allowed to interact with the user. Since the driver is responsible for maintaining the configuration options for each controller it manages, the exact method by which the configuration options are validated is driver specific.



## Status Codes Returned

EFI_SUCCESS	The controller specified by <i>ControllerHandle</i> and <i>ChildHandle</i> that is being managed by the driver specified by <i>This</i> has a valid set of configuration options.
EFI_INVALID_PARAMETER	<i>ControllerHandle</i> is not a valid <b>EFI_HANDLE</b> .
EFI_INVALID_PARAMETER	The driver specified by <i>This</i> is not a device driver, and <i>ChildHandle</i> is not <b>NULL</b> , and <i>ChildHandle</i> is not a valid <b>EFI_HANDLE</b> .
EFI_UNSUPPORTED	The driver specified by <i>This</i> is not currently managing the controller specified by <i>ControllerHandle</i> and <i>ChildHandle</i> .
EFI_DEVICE_ERROR	The controller specified by <i>ControllerHandle</i> and <i>ChildHandle</i> that is being managed by the driver specified by <i>This</i> has an invalid set of configuration options.

## EFI\_DRIVER\_CONFIGURATION\_PROTOCOL.ForceDefaults()

### Summary

Forces a driver to set the default configuration options for a controller.

### Prototype

```
typedef
EFI_STATUS
(EFIAPI *EFI_DRIVER_CONFIGURATION_FORCE_DEFAULTS) (
    IN EFI_DRIVER_CONFIGURATION_PROTOCOL    *This,
    IN EFI_HANDLE                          ControllerHandle,
    IN EFI_HANDLE                          ChildHandle OPTIONAL,
    IN UINT32                               DefaultType,
    OUT EFI_DRIVER_CONFIGURATION_ACTION_REQUIRED *ActionRequired
);
```

### Parameters

<i>This</i>	A pointer to the <u>EFI_DRIVER_CONFIGURATION_PROTOCOL</u> instance.
<i>ControllerHandle</i>	The handle of the controller to force default configuration options on.
<i>ChildHandle</i>	The handle of the child controller to force default configuration options on. This is an optional parameter that may be <b>NULL</b> . It will be <b>NULL</b> for device drivers. It will also be <b>NULL</b> for a bus drivers that attempt to force default configuration options for the bus controller. It will not be <b>NULL</b> for a bus driver that attempts to force default configuration options for one of its child controllers.
<i>DefaultType</i>	The type of default configuration options to force on the controller specified by <i>ControllerHandle</i> and <i>ChildHandle</i> . See Table 71 for legal values. A <i>DefaultType</i> of 0x00000000 must be supported by this protocol.
<i>ActionRequired</i>	A pointer to the action that the calling agent is required to perform when this function returns. See “Related Definitions” in the <u>SetOptions()</u> function description for a list of the actions that the calling agent is required to perform prior to accessing <i>ControllerHandle</i> again.

## Description

This function forces the default configuration options specified by *DefaultType* for the driver specified by *This* on the controller specified by *ControllerHandle* and *ChildHandle*. This function is not allowed to interact with the user. If the controller specified by *ControllerHandle* and *ChildHandle* is not supported by the driver specified by *This*, then **EFI\_UNSUPPORTED** is returned. If the configuration type specified by *DefaultType* is not supported, then **EFI\_UNSUPPORTED** is returned. If a device error occurs while setting the default configuration options, **EFI\_DEVICE\_ERROR** is returned. If there are not enough resources available to set the default configuration options, then **EFI\_OUT\_OF\_RESOURCES** is returned.

The *ActionRequired* return value must always be set to a legal value by this function. The caller must perform the required action regardless of the return status. The calling agent must also perform the action described by *ActionRequired* prior to using any of the services produced by *ControllerHandle* or any of its children.

**Table 71. EFI Driver Configuration Default Type**

Bits	Description
Bit 0-15	If bits 16-31 are 0x0000, then the following values are defined:
0x0000	<b>Safe Defaults.</b> This type must be supported by all implementations of the EFI_DRIVER_CONFIGURATION_PROTOCOL. It places a controller a safe configuration that has the greatest probability of functioning correctly in a platform.
0x0001	<b>Manufacturing Defaults.</b> Optional type that places the controller in a configuration suitable for a manufacturing and test environment.
0x0002	<b>Custom Defaults.</b> Optional type that places the controller in a custom configuration.
0x0003	<b>Performance Defaults.</b> Optional type that places the controller in a configuration that maximizes the controller's performance in a platform.
	All other values are reserved for future versions of the EFI Specification.
Bits16-31	A value of 0x0000 is reserved by this specification. Values 0x0001-0xFFFF are available for expansion by third parties.

## Status Codes Returned

EFI_SUCCESS	The driver specified by <i>This</i> successfully forced the default configuration options on the controller specified by <i>ControllerHandle</i> and <i>ChildHandle</i> .
EFI_INVALID_PARAMETER	<i>ControllerHandle</i> is not a valid <b>EFI_HANDLE</b> .
EFI_INVALID_PARAMETER	The driver specified by <i>This</i> is not a device driver, and <i>ChildHandle</i> is not <b>NULL</b> , and <i>ChildHandle</i> is not a valid <b>EFI_HANDLE</b> .
EFI_INVALID_PARAMETER	<i>ActionRequired</i> is <b>NULL</b> .
EFI_UNSUPPORTED	The driver specified by <i>This</i> does not support forcing the default configuration options on the controller specified by <i>ControllerHandle</i> and <i>ChildHandle</i> .
EFI_UNSUPPORTED	The driver specified by <i>This</i> does not support the configuration type specified by <i>DefaultType</i> .
EFI_DEVICE_ERROR	A device error occurred while attempting to force the default configuration options on the controller specified by <i>ControllerHandle</i> and <i>ChildHandle</i> .
EFI_OUT_RESOURCES	There are not enough resources available to force the default configuration options on the controller specified by <i>ControllerHandle</i> and <i>ChildHandle</i> .

## 10.5 EFI Driver Diagnostics Protocol

This section provides a detailed description of the **EFI\_DRIVER\_DIAGNOSTICS\_PROTOCOL**. This is a protocol that allows a UEFI driver to perform diagnostics on a controller that the driver is managing.

### EFI\_DRIVER\_DIAGNOSTICS\_PROTOCOL

#### Summary

Used to perform diagnostics on a controller that a UEFI driver is managing.

#### GUID

```
#define EFI_DRIVER_DIAGNOSTICS_PROTOCOL_GUID \
    {0x4d330321, 0x025f, 0x4aac, 0x90, 0xd8, 0x5e, 0xd9, 0x00, 0x17, \
     0x3b, 0x63}
```

#### Protocol Interface Structure

```
typedef struct _EFI_DRIVER_DIAGNOSTICS_PROTOCOL {
    EFI_DRIVER_DIAGNOSTICS_RUN_DIAGNOSTICS  RunDiagnostics;
    CHAR8                                     *SupportedLanguages;
} EFI_DRIVER_DIAGNOSTICS_PROTOCOL;
```

#### Parameters

<i>RunDiagnostics</i>	Runs diagnostics on a controller. See the <a href="#"><u>RunDiagnostics()</u></a> function description.
<i>SupportedLanguages</i>	A Null-terminated ASCII string that contains one or more supported language codes. This is the list of language codes that this protocol supports. The number of languages supported by a driver is up to the driver writer. <i>SupportedLanguages</i> is specified in RFC 3066 format. See Appendix M for the format of language codes and language code arrays.

#### Description

The **EFI\_DRIVER\_DIAGNOSTICS\_PROTOCOL** is used by a platform management utility to allow the user to run driver specific diagnostics on a controller. This protocol is optionally attached to the image handle of driver in the driver's entry point. The platform management utility can collect all the **EFI\_DRIVER\_DIAGNOSTICS\_PROTOCOL** instances present in the system, and present the user with a menu of the controllers that have diagnostic capabilities. This platform management utility is invoked through a platform component such as the EFI Boot Manager.

## EFI\_DRIVER\_DIAGNOSTICS\_PROTOCOL.RunDiagnostics()

### Summary

Runs diagnostics on a controller.

### Prototype

```
typedef
EFI_STATUS
(EFIAPI *EFI_DRIVER_DIAGNOSTICS_RUN_DIAGNOSTICS) (
    IN EFI_DRIVER_DIAGNOSTICS_PROTOCOL *This,
    IN EFI_HANDLE ControllerHandle,
    IN EFI_HANDLE ChildHandle OPTIONAL,
    IN EFI_DRIVER_DIAGNOSTIC_TYPE DiagnosticType,
    IN CHAR8 *Language,
    OUT EFI_GUID **ErrorType,
    OUT UINTN *BufferSize,
    OUT CHAR16 **Buffer
);
```

### Parameters

<i>This</i>	A pointer to the <u>EFI_DRIVER_DIAGNOSTICS_PROTOCOL</u> instance.
<i>ControllerHandle</i>	The handle of the controller to run diagnostics on.
<i>ChildHandle</i>	The handle of the child controller to run diagnostics on. This is an optional parameter that may be <b>NULL</b> . It will be <b>NULL</b> for device drivers. It will also be <b>NULL</b> for a bus drivers that attempt to run diagnostics on the bus controller. It will not be <b>NULL</b> for a bus driver that attempts to run diagnostics on one of its child controllers.
<i>DiagnosticType</i>	Indicates type of diagnostics to perform on the controller specified by <i>ControllerHandle</i> and <i>ChildHandle</i> . See “Related Definitions” for the list of supported types.
<i>Language</i>	A pointer to a Null-terminated ASCII string array indicating the language. This is the language in which the optional error message should be returned in <i>Buffer</i> , and it must match one of the languages specified in <i>SupportedLanguages</i> . The number of languages supported by a driver is up to the driver writer. <i>Language</i> is specified in RFC 3066 language code format. See <b>Appendix M</b> for the format of language codes.

<i>ErrorType</i>	A GUID that defines the format of the data returned in <i>Buffer</i> .
<i>BufferSize</i>	The size, in bytes, of the data returned in <i>Buffer</i> .
<i>Buffer</i>	A buffer that contains a Null-terminated Unicode string plus some additional data whose format is defined by <i>ErrorType</i> . <i>Buffer</i> is allocated by this function with <u><b>AllocatePool()</b></u> , and it is the caller's responsibility to free it with a call to <u><b>FreePool()</b></u> .

## Description

This function runs diagnostics on the controller specified by *ControllerHandle* and *ChildHandle*. *DiagnosticType* specifies the type of diagnostics to perform on the controller specified by *ControllerHandle* and *ChildHandle*. If the driver specified by *This* does not support the language specified by *Language*, then **EFI\_UNSUPPORTED** is returned. If the controller specified by *ControllerHandle* and *ChildHandle* is not supported by the driver specified by *This*, then **EFI\_UNSUPPORTED** is returned. If the diagnostics type specified by *DiagnosticType* is not supported by this driver, then **EFI\_UNSUPPORTED** is returned. If there are not enough resources available to complete the diagnostic, then **EFI\_OUT\_OF\_RESOURCES** is returned. If the controller specified by *ControllerHandle* and *ChildHandle* passes the diagnostic, then **EFI\_SUCCESS** is returned. Otherwise, **EFI\_DEVICE\_ERROR** is returned.

If the language specified by *Language* is supported by this driver, then status information is returned in *ErrorType*, *BufferSize*, and *Buffer*. *Buffer* contains a Null-terminated Unicode string followed by additional data whose format is defined by *ErrorType*. *BufferSize* is the size of *Buffer* in bytes, and it is the caller's responsibility to call **FreePool()** on *Buffer* when the caller is done with the return data. If there are not enough resources available to return the status information, then **EFI\_OUT\_OF\_RESOURCES** is returned.

## Related Definitions

```

//*****
// EFI_DRIVER_DIAGNOSTIC_TYPE
//*****
typedef enum {
    EfiDriverDiagnosticTypeStandard           = 0,
    EfiDriverDiagnosticTypeExtended          = 1,
    EfiDriverDiagnosticTypeManufacturing     = 2,
    EfiDriverDiagnosticTypeMaximum
} EFI_DRIVER_DIAGNOSTIC_TYPE;

```

### EfiDriverDiagnosticTypeStandard

Performs standard diagnostics on the controller. This diagnostic type is required to be supported by all implementations of this protocol.

### EfiDriverDiagnosticTypeExtended

This is an optional diagnostic type that performs diagnostics on the controller that may take an extended amount of time to execute.

### EfiDriverDiagnosticTypeManufacturing

This is an optional diagnostic type that performs diagnostics on the controller that are suitable for a manufacturing and test environment.

## Status Codes Returned

EFI_SUCCESS	The controller specified by <i>ControllerHandle</i> and <i>ChildHandle</i> passed the diagnostic.
EFI_INVALID_PARAMETER	<i>ControllerHandle</i> is not a valid <b>EFI_HANDLE</b> .
EFI_INVALID_PARAMETER	The driver specified by <i>This</i> is not a device driver, and <i>ChildHandle</i> is not <b>NULL</b> , and <i>ChildHandle</i> is not a valid <b>EFI_HANDLE</b> .
EFI_INVALID_PARAMETER	<i>Language</i> is <b>NULL</b> .
EFI_INVALID_PARAMETER	<i>ErrorType</i> is <b>NULL</b> .
EFI_INVALID_PARAMETER	<i>BufferSize</i> is <b>NULL</b> .
EFI_INVALID_PARAMETER	<i>Buffer</i> is <b>NULL</b> .
EFI_UNSUPPORTED	The driver specified by <i>This</i> does not support running diagnostics for the controller specified by <i>ControllerHandle</i> and <i>ChildHandle</i> .
EFI_UNSUPPORTED	The driver specified by <i>This</i> does not support the type of diagnostic specified by <i>DiagnosticType</i> .
EFI_UNSUPPORTED	The driver specified by <i>This</i> does not support the language specified by <i>Language</i> .
EFI_OUT_OF_RESOURCES	There are not enough resources available to complete the diagnostics.
EFI_OUT_OF_RESOURCES	There are not enough resources available to return the status information in <i>ErrorType</i> , <i>BufferSize</i> , and <i>Buffer</i> .
EFI_DEVICE_ERROR	The controller specified by <i>ControllerHandle</i> and <i>ChildHandle</i> did not pass the diagnostic.



## 10.6 EFI Component Name Protocol

This section provides a detailed description of the **EFI\_COMPONENT\_NAME\_PROTOCOL**. This is a protocol that allows an driver to provide a user readable name of a UEFI Driver, and a user readable name for each of the controllers that the driver is managing. This protocol is used by platform management utilities that wish to display names of components. These names may include the names of expansion slots, external connectors, embedded devices, and add-in devices.

### EFI\_COMPONENT\_NAME\_PROTOCOL

#### Summary

Used to retrieve user readable names of drivers and controllers managed by UEFI Drivers.

#### GUID

```
#define EFI_COMPONENT_NAME_PROTOCOL_GUID \
    {0x107a772c, 0xd5e1, 0x11d4, 0x9a, 0x46, 0x0, 0x90, 0x27, 0x3f, \
     0xc1, 0x4d}
```

#### Protocol Interface Structure

```
typedef struct _EFI_COMPONENT_NAME_PROTOCOL {
    EFI_COMPONENT_NAME_GET_DRIVER_NAME    GetDriverName;
    EFI_COMPONENT_NAME_GET_CONTROLLER_NAME GetControllerName;
    CHAR8                                 *SupportedLanguages;
} EFI_COMPONENT_NAME_PROTOCOL;
```

#### Parameters

<i>GetDriverName</i>	Retrieves a Unicode string that is the user readable name of the driver. See the <a href="#"><u>GetDriverName()</u></a> function description.
<i>GetControllerName</i>	Retrieves a Unicode string that is the user readable name of a controller that is being managed by a driver. See the <a href="#"><u>GetControllerName()</u></a> function description.
<i>SupportedLanguages</i>	A Null-terminated ASCII string array that contains one or more supported language codes. This is the list of language codes that this protocol supports. The number of languages supported by a driver is up to the driver writer. <i>SupportedLanguages</i> is specified in RFC 3066 format. See Appendix M for the format of language codes and language code arrays.

#### Description

The **EFI\_COMPONENT\_NAME\_PROTOCOL** is used to retrieve a driver's user readable name and the names of all the controllers that a driver is managing from the driver's point of view. Each of these names is returned as a Null-terminated Unicode string. The caller is required to specify the language in which the Unicode string is returned, and this language must be present in the list of languages that this protocol supports specified by *SupportedLanguages*.

## EFI\_COMPONENT\_NAME\_PROTOCOL.GetDriverName()

### Summary

Retrieves a Unicode string that is the user readable name of the driver.

### Prototype

```
typedef
EFI_STATUS
(EFIAPI *EFI_COMPONENT_NAME_GET_DRIVER_NAME) (
    IN  EFI_COMPONENT_NAME_PROTOCOL *This,
    IN  CHAR8                       *Language,
    OUT CHAR16                      **DriverName
);
```

### Parameters

<i>This</i>	A pointer to the <b>EFI_COMPONENT_NAME_PROTOCOL</b> instance.
<i>Language</i>	A pointer to a Null-terminated ASCII string array indicating the language. This is the language of the driver name that the caller is requesting, and it must match one of the languages specified in SupportedLanguages. The number of languages supported by a driver is up to the driver writer. <i>Language</i> is specified in RFC 3066 language code format. See Appendix M for the format of language codes.
<i>DriverName</i>	A pointer to the Unicode string to return. This Unicode string is the name of the driver specified by <i>This</i> in the language specified by <i>Language</i> .

### Description

This function retrieves the user readable name of a driver in the form of a Unicode string. If the driver specified by *This* has a user readable name in the language specified by *Language*, then a pointer to the driver name is returned in *DriverName*, and **EFI\_SUCCESS** is returned. If the driver specified by *This* does not support the language specified by *Language*, then **EFI\_UNSUPPORTED** is returned.

## Status Codes Returned

EFI_SUCCESS	The Unicode string for the user readable name in the language specified by <i>Language</i> for the driver specified by <i>This</i> was returned in <i>DriverName</i> .
EFI_INVALID_PARAMETER	<i>Language</i> is <b>NULL</b> .
EFI_INVALID_PARAMETER	<i>DriverName</i> is <b>NULL</b> .
EFI_UNSUPPORTED	The driver specified by <i>This</i> does not support the language specified by <i>Language</i> .

## EFI\_COMPONENT\_NAME\_PROTOCOL.GetControllerName()

### Summary

Retrieves a Unicode string that is the user readable name of the controller that is being managed by a driver.

### Prototype

```
typedef
EFI_STATUS
(EFIAPI *EFI_COMPONENT_NAME_GET_CONTROLLER_NAME) (
    IN EFI_COMPONENT_NAME_PROTOCOL_2 *This,
    IN EFI_HANDLE                     ControllerHandle,
    IN EFI_HANDLE                     ChildHandle      OPTIONAL,
    IN CHAR8                          *Language,
    OUT CHAR16                        **ControllerName
);
```

### Parameters

<i>This</i>	A pointer to the <u>EFI COMPONENT NAME PROTOCOL</u> instance.
<i>ControllerHandle</i>	The handle of a controller that the driver specified by <i>This</i> is managing. This handle specifies the controller whose name is to be returned.
<i>ChildHandle</i>	The handle of the child controller to retrieve the name of. This is an optional parameter that may be <b>NULL</b> . It will be <b>NULL</b> for device drivers. It will also be <b>NULL</b> for bus drivers that attempt to retrieve the name of the bus controller. It will not be <b>NULL</b> for a bus driver that attempts to retrieve the name of a child controller.
<i>Language</i>	A pointer to a Null- terminated ASCII string array indicating the language. This is the language of the controller name that the caller is requesting, and it must match one of the languages specified in SupportedLanguages. The number of languages supported by a driver is up to the driver writer. <i>Language</i> is specified in RFC 3066 language code format. See Appendix M for the format of language codes.
<i>ControllerName</i>	A pointer to the Unicode string to return. This Unicode string is the name of the controller specified by <i>ControllerHandle</i> and <i>ChildHandle</i> in the language specified by <i>Language</i> from the point of view of the driver specified by <i>This</i> .

## Description

This function retrieves the user readable name of the controller specified by *ControllerHandle* and *ChildHandle* in the form of a Unicode string. If the driver specified by *This* has a user readable name in the language specified by *Language*, then a pointer to the controller name is returned in *ControllerName*, and **EFI\_SUCCESS** is returned.

If the driver specified by *This* is not currently managing the controller specified by *ControllerHandle* and *ChildHandle*, then **EFI\_UNSUPPORTED** is returned.

If the driver specified by *This* does not support the language specified by *Language*, then **EFI\_UNSUPPORTED** is returned.

## Status Codes Returned

EFI_SUCCESS	The Unicode string for the user readable name specified by <i>This</i> , <i>ControllerHandle</i> , <i>ChildHandle</i> , and <i>Language</i> was returned in <i>ControllerName</i> .
EFI_INVALID_PARAMETER	<i>ControllerHandle</i> is not a valid <b>EFI_HANDLE</b> .
EFI_INVALID_PARAMETER	The driver specified by <i>This</i> is not a device driver, and <i>ChildHandle</i> is not <b>NULL</b> , and <i>ChildHandle</i> is not a valid <b>EFI_HANDLE</b> .
EFI_INVALID_PARAMETER	<i>Language</i> is <b>NULL</b> .
EFI_INVALID_PARAMETER	<i>ControllerName</i> is <b>NULL</b> .
EFI_UNSUPPORTED	The driver specified by <i>This</i> is a device driver and <i>ChildHandle</i> is not <b>NULL</b> .
EFI_UNSUPPORTED	The driver specified by <i>This</i> is not currently managing the controller specified by <i>ControllerHandle</i> and <i>ChildHandle</i> .
EFI_UNSUPPORTED	The driver specified by <i>This</i> does not support the language specified by <i>Language</i> .

## 10.7 EFI Service Binding Protocol

This section provides a detailed description of the **EFI\_SERVICE\_BINDING\_PROTOCOL**. This protocol may be produced only by drivers that follow the UEFI Driver Model. Use this protocol with the **EFI\_DRIVER\_BINDING\_PROTOCOL** to produce a set of protocols related to a device. The **EFI\_DRIVER\_BINDING\_PROTOCOL** supports simple layering of protocols on a device, but it does not support more complex relationships such as trees or graphs. The **EFI\_SERVICE\_BINDING\_PROTOCOL** provides a member function to create a child handle with a new protocol installed on it, and another member function to destroy a previously created child handle. These member functions apply equally to all drivers.

# EFI\_SERVICE\_BINDING\_PROTOCOL

## Summary

Provides services that are required to create and destroy child handles that support a given set of protocols.

## GUID

This protocol does not have its own GUID. Instead, drivers for other protocols will define a GUID that shares the same protocol interface as the **EFI\_SERVICE\_BINDING\_PROTOCOL**. The protocols defined in this document that have this property include the following:

- **EFI\_MANAGED\_NETWORK\_SERVICE\_BINDING\_PROTOCOL**
- **EFI\_ARP\_SERVICE\_BINDING\_PROTOCOL**
- **EFI\_EAP\_SERVICE\_BINDING\_PROTOCOL**
- **EFI\_IP4\_SERVICE\_BINDING\_PROTOCOL**
- **EFI\_TCP4\_SERVICE\_BINDING\_PROTOCOL**
- **EFI\_UDP4\_SERVICE\_BINDING\_PROTOCOL**
- **EFI\_MTFTP4\_SERVICE\_BINDING\_PROTOCOL**
- **EFI\_DHCP4\_SERVICE\_BINDING\_PROTOCOL**

## Protocol Interface Structure

```
typedef struct _EFI_SERVICE_BINDING_PROTOCOL {
    EFI_SERVICE_BINDING_CREATE_CHILD    CreateChild;
    EFI_SERVICE_BINDING_DESTROY_CHILD  DestroyChild;
} EFI_SERVICE_BINDING_PROTOCOL;
```

## Parameters

- |                     |  |
|---------------------|--|
| <i>CreateChild</i>  | Creates a child handle and installs a protocol. See the <b>CreateChild()</b> function description.           |
| <i>DestroyChild</i> | Destroys a child handle with a protocol installed on it. See the <b>DestroyChild()</b> function description. |

## Description

The **EFI\_SERVICE\_BINDING\_PROTOCOL** provides member functions to create and destroy child handles. A driver is responsible for adding protocols to the child handle in **CreateChild()** and removing protocols in **DestroyChild()**. Each consumer of a software protocol is responsible for calling **CreateChild()** when it requires the protocol and calling **DestroyChild()** when it is finished with that protocol.

## EFI\_SERVICE\_BINDING\_PROTOCOL.CreateChild()

### Summary

Creates a child handle and installs a protocol.

### Prototype

```
typedef
EFI_STATUS
(EFIAPI *EFI_SERVICE_BINDING_CREATE_CHILD) (
    IN EFI_SERVICE_BINDING_PROTOCOL      *This,
    IN OUT EFI_HANDLE                    *ChildHandle
);
```

### Parameters

<i>This</i>	Pointer to the <b>EFI_SERVICE_BINDING_PROTOCOL</b> instance.
<i>ChildHandle</i>	Pointer to the handle of the child to create. If it is a pointer to <b>NULL</b> , then a new handle is created. If it is a pointer to an existing UEFI handle, then the protocol is added to the existing UEFI handle.

### Description

The **CreateChild()** function installs a protocol on *ChildHandle*. If *ChildHandle* is a pointer to **NULL**, then a new handle is created and returned in *ChildHandle*. If *ChildHandle* is not a pointer to **NULL**, then the protocol installs on the existing *ChildHandle*.

### Status Codes Returned

EFI_SUCCESS	The protocol was added to <i>ChildHandle</i> .
EFI_INVALID_PARAMETER	<i>ChildHandle</i> is <b>NULL</b> .
EFI_OUT_OF_RESOURCES	There are not enough resources available to create the child.
Other	The child handle was not created.

## Examples

The following example shows how a consumer of the EFI ARP Protocol would use the **CreateChild()** function of the **EFI\_SERVICE\_BINDING\_PROTOCOL** to create a child handle with the EFI ARP Protocol installed on that handle.

```
EFI_HANDLE ControllerHandle;
EFI_HANDLE DriverBindingHandle;
EFI_HANDLE ChildHandle;
EFI_ARP_SERVICE_BINDING_PROTOCOL *ArpSb;
EFI_ARP_PROTOCOL *Arp;

//
// Get the ArpServiceBinding Protocol
//
Status = gBS->OpenProtocol (
    ControllerHandle,
    &gEfiArpServiceBindingProtocolGuid,
    (VOID **)&ArpSb,
    DriverBindingHandle,
    ControllerHandle,
    EFI_OPEN_PROTOCOL_GET_PROTOCOL
);
if (EFI_ERROR (Status)) {
    return Status;
}
//
// Initialize a ChildHandle
//
ChildHandle = NULL;
//
// Create a ChildHandle with the Arp Protocol
//
Status = ArpSb->CreateChild (ArpSb, &ChildHandle);
if (EFI_ERROR (Status)) {
    goto ErrorExit;
}

//
// Retrieve the Arp Protocol from ChildHandle
//
Status = gBS->OpenProtocol (
    ChildHandle,
    &gEfiArpProtocolGuid,
    (VOID **)&Arp,
    DriverBindingHandle,
    ControllerHandle,
    EFI_OPEN_PROTOCOL_BY_DRIVER
);
if (EFI_ERROR (Status)) {
    goto ErrorExit;
}
```



## Pseudo Code

The following is the general algorithm for implementing the `CreateChild()` function:

1. Allocate and initialize any data structures that are required to produce the requested protocol on a child handle. If the allocation fails, then return `EFI_OUT_OF_RESOURCES`.
2. Install the requested protocol onto `ChildHandle`. If `ChildHandle` is a pointer to `NULL`, then the requested protocol installs onto a new handle.
3. Open the parent protocol `BY_CHILD_CONTROLLER` to establish the parent-child relationship. If the parent protocol cannot be opened, then destroy the `ChildHandle` created in step 2, free the data structures allocated in step 1, and return an error.
4. Increment the number of children created by `CreateChild()`.
5. Return `EFI_SUCCESS`.

Listed below is sample code of the `CreateChild()` function of the EFI ARP Protocol driver.

This driver looks up its private context data structure from the instance of the `EFI_SERVICE_BINDING_PROTOCOL` produced on the handle for the network controller. After retrieving the private context data structure, the driver can use its contents to build the private context data structure for the child being created. The EFI ARP Protocol driver then installs the `EFI_ARP_PROTOCOL` onto `ChildHandle`.

```
EFI_STATUS
EFIAPI
ArpServiceBindingCreateChild (
    IN EFI_SERVICE_BINDING_PROTOCOL *This,
    IN EFI_HANDLE                    *ChildHandle
)
{
    EFI_STATUS      Status;
    ARP_PRIVATE_DATA *Private;
    ARP_PRIVATE_DATA *PrivateChild;

    //
    // Retrieve the Private Context Data Structure
    //
    Private = ARP_PRIVATE_DATA_FROM_SERVICE_BINDING_THIS (This);

    //
    // Create a new child
    //
    PrivateChild = EfiLibAllocatePool (sizeof (ARP_PRIVATE_DATA));
    if (PrivateChild == NULL) {
        return EFI_OUT_OF_RESOURCES;
    }

    //
    // Copy Private Context Data Structure
    //
    gBS->CopyMem (PrivateChild, Private, sizeof (ARP_PRIVATE_DATA));
}
```

```

//
// Install Arp onto ChildHandle
//
Status = gBS->InstallMultipleProtocolInterfaces (
    ChildHandle,
    &EfiArpProtocolGuid, &PrivateChild->Arp,
    NULL
);
if (EFI_ERROR (Status)) {
    gBS->FreePool (PrivateChild);
    return Status;
}

Status = gBS->OpenProtocol (
    Private->ChildHandle,
    &EfiManagedNetworkProtocolGuid,
    (VOID **)&PrivateChild->ManagedNetwork,
    gArpDriverBinding.DriverBindingHandle,
    *ChildHandle,
    EFI_OPEN_PROTOCOL_BY_CHILD_CONTROLLER
);
if (EFI_ERROR (Status)) {
    ArpSB->DestroyChild (This, ChildHandle);
    return Status;
}

//
// Increase number of children created
//
Private->NumberCreated++;

return EFI_SUCCESS;
}

```

## EFI\_SERVICE\_BINDING\_PROTOCOL.DestroyChild()

### Summary

Destroys a child handle with a protocol installed on it.

### Prototype

```
typedef
EFI_STATUS
(EFIAPI *EFI_SERVICE_BINDING_DESTROY_CHILD) (
    IN EFI_SERVICE_BINDING_PROTOCOL          *This,
    IN EFI_HANDLE                            ChildHandle
);
```

### Parameters

<i>This</i>	Pointer to the <b>EFI_SERVICE_BINDING_PROTOCOL</b> instance.
<i>ChildHandle</i>	Handle of the child to destroy.

### Description

The **DestroyChild()** function does the opposite of **CreateChild()**. It removes a protocol that was installed by **CreateChild()** from *ChildHandle*. If the removed protocol is the last protocol on *ChildHandle*, then *ChildHandle* is destroyed.

### Status Codes Returned

EFI_SUCCESS	The protocol was removed from <i>ChildHandle</i> .
EFI_UNSUPPORTED	<i>ChildHandle</i> does not support the protocol that is being removed.
EFI_INVALID_PARAMETER	<i>ChildHandle</i> is not a valid UEFI handle.
EFI_ACCESS_DENIED	The protocol could not be removed from the <i>ChildHandle</i> because its services are being used.
Other	The child handle was not destroyed.

## Examples

The following example shows how a consumer of the EFI ARP Protocol would use the **DestroyChild()** function of the **EFI\_SERVICE\_BINDING\_PROTOCOL** to destroy a child handle with the EFI ARP Protocol installed on that handle.

```
EFI_HANDLE ControllerHandle;
EFI_HANDLE DriverBindingHandle;
EFI_HANDLE ChildHandle;
EFI_ ARP_SERVICE_BINDING_PROTOCOL *Arp;

//
// Get the Arp Service Binding Protocol
//
Status = gBS->OpenProtocol (
    ControllerHandle,
    &gEfiArpServiceBindingProtocolGuid,
    (VOID **) &ArpSb,
    DriverBindingHandle,
    ControllerHandle,
    EFI_OPEN_PROTOCOL_GET_PROTOCOL
);
if (EFI_ERROR (Status)) {
    return Status;
}

//
// Destroy the ChildHandle with the Arp Protocol
//
Status = ArpSb->DestroyChild (ArpSb, ChildHandle);
if (EFI_ERROR (Status)) {
    return Status;
}
```

## Pseudo Code

The following is the general algorithm for implementing the **DestroyChild()** function:

4. Retrieve the protocol from *ChildHandle*. If this retrieval fails, then return **EFI\_SUCCESS** because the child has already been destroyed.
5. If this call is a recursive call to destroy the same child, then return **EFI\_SUCCESS**.
6. Close the parent protocol with **CloseProtocol()**.
7. Set a flag to detect a recursive call to destroy the same child.
8. Remove the protocol from *ChildHandle*. If this removal fails, then reopen the parent protocol and clear the flag to detect a recursive call to destroy the same child.
9. Free any data structures that allocated in **CreateChild()**.
10. Decrement the number of children that created with **CreateChild()**.
11. Return **EFI\_SUCCESS**.

Listed below is sample code of the **DestroyChild()** function of the EFI ARP Protocol driver. This driver looks up its private context data structure from the instance of the **EFI\_SERVICE\_BINDING\_PROTOCOL** produced on the handle for the network controller. The driver attempts to retrieve the **EFI\_ARP\_PROTOCOL** from *ChildHandle*. If that fails, then **EFI\_SUCCESS** is returned. The **EFI\_ARP\_PROTOCOL** is then used to retrieve the private context data structure for the child. The private context data stores the flag that detects if **DestroyChild()** is being called recursively. If a recursion is detected, then **EFI\_SUCCESS** is returned. Otherwise, the **EFI\_ARP\_PROTOCOL** is removed from *ChildHandle*, the number of children are decremented, and **EFI\_SUCCESS** is returned.

```

EFI_STATUS
EFI_API
ArpServiceBindingDestroyChild (
    IN EFI_SERVICE_BINDING_PROTOCOL *This,
    IN EFI_HANDLE                   ChildHandle
)
{
    EFI_STATUS          Status;
    EFI_ARP_PROTOCOL    *Arp;
    ARP_PRIVATE_DATA    *Private;
    ARP_PRIVATE_DATA    *PrivateChild;

    //
    // Retrieve the Private Context Data Structure
    //
    Private = ARP_PRIVATE_DATA_FROM_SERVICE_BINDING_THIS (This);

    //
    // Retrieve Arp Protocol from ChildHandle
    //
    Status = gBS->OpenProtocol (
        ChildHandle,
        &gEfiArpProtocolGuid,
        (VOID **) &Arp,
        gArpDriverBinding.DriverBindingHandle,
        ChildHandle,
        EFI_OPEN_PROTOCOL_GET_PROTOCOL
    );
    if (EFI_ERROR (Status)) {
        return EFI_SUCCESS;
    }

    //
    // Retrieve Private Context Data Structure
    //
    PrivateChild = ARP_PRIVATE_DATA_FROM_ARP_THIS (Arp);
    if (PrivateChild->Destroy) {
        return EFI_SUCCESS;
    }
}

```

```

//
// Close the ManagedNetwork Protocol
//
gBS->CloseProtocol (
    Private->ChildHandle,
    &gEfiManagedNetworkProtocolGuid,
    gArpDriverBinding.DriverBindingHandle,
    ChildHandle
);

PrivateChild->Destroy = TRUE;

//
// Uninstall Arp from ChildHandle
//
Status = gBS->UninstallMultipleProtocolInterfaces (
    ChildHandle,
    &gEfiArpProtocolGuid, &PrivateChild->Arp,
    NULL
);
if (EFI_ERROR (Status)) {
    //
    // Uninstall failed, so reopen the parent Arp Protocol and
    // return an error
    //
    PrivateChild->Destroy = FALSE;
    gBS->OpenProtocol (
        Private->ChildHandle,
        &gEfiManagedNetworkProtocolGuid,
        (VOID **)&PrivateChild->ManagedNetwork,
        gArpDriverBinding.DriverBindingHandle,
        ChildHandle,
        EFI_OPEN_PROTOCOL_BY_CHILD_CONTROLLER
    );
    return Status;
}

//
// Free Private Context Data Structure
//
gBS->FreePool (PrivateChild);

//
// Decrease number of children created
//
Private->NumberCreated--;

return EFI_SUCCESS;

```

# Protocols — Console Support

---

This chapter explores console support protocols, including Simple Text Input, Simple Text Output, Simple Pointer, Serial IO, and Graphics Output protocols.

## 11.1 Console I/O Protocol

This section defines the Console I/O protocol. This protocol is used to handle input and output of text-based information intended for the system user during the operation of code in the boot services environment. Also included here are the definitions of three console devices: one for input and one each for normal output and errors.

These interfaces are specified by function call definitions to allow maximum flexibility in implementation. For example, there is no requirement for compliant systems to have a keyboard or screen directly connected to the system. Implementations may choose to direct information passed using these interfaces in arbitrary ways provided that the semantics of the functions are preserved (in other words, provided that the information is passed to and from the system user).

### 11.1.1 Overview

The UEFI console is built out of the [SIMPLE TEXT INPUT PROTOCOL](#) and the [SIMPLE TEXT OUTPUT PROTOCOL](#). These two protocols implement a basic text-based console that allows platform firmware, applications written to this specification, and UEFI OS loaders to present information to and receive input from a system administrator. The UEFI console consists of 16-bit Unicode characters, a simple set of input control characters (Scan Codes), and a set of output-oriented programmatic interfaces that give functionality equivalent to an intelligent terminal. The console does not support pointing devices on input or bitmaps on output.

This specification requires that the [SIMPLE\\_TEXT\\_INPUT\\_PROTOCOL](#) support the same languages as the corresponding [SIMPLE\\_TEXT\\_OUTPUT\\_PROTOCOL](#). The [SIMPLE\\_TEXT\\_OUTPUT\\_PROTOCOL](#) is recommended to support at least the printable Basic Latin Unicode character set to enable standard terminal emulation software to be used with an EFI console. The Basic Latin Unicode character set implements a superset of ASCII that has been extended to 16-bit characters. Any number of other Unicode character sets may be optionally supported.

## 11.1.2 ConsoleIn Definition

The **SIMPLE\_TEXT\_INPUT\_PROTOCOL** defines an input stream that contains Unicode characters and required EFI scan codes. Only the control characters defined in Table 72 have meaning in the Unicode input or output streams. The control characters are defined to be characters U+0000 through U+001F. The input stream does not support any software flow control.

**Table 72. Supported Unicode Control Characters**

Mnemonic	Unicode	Description
Null	U+0000	Null character ignored when received.
BS	U+0008	Backspace. Moves cursor left one column. If the cursor is at the left margin, no action is taken.
TAB	U+0x0009	Tab.
LF	U+000A	Linefeed. Moves cursor to the next line.
CR	U+000D	Carriage Return. Moves cursor to left margin of the current line.



The input stream supports Scan Codes in addition to Unicode characters. If the Scan Code is set to 0x00 then the Unicode character is valid and should be used. If the Scan Code is set to a non-0x00 value it represents a special key as defined by Table 73.

**Table 73. EFI Scan Codes for `EFI_SIMPLE_TEXT_INPUT_PROTOCOL`**

EFI Scan Code	Description
0x00	Null scan code.
0x01	Move cursor up 1 row.
0x02	Move cursor down 1 row.
0x03	Move cursor right 1 column.
0x04	Move cursor left 1 column.
0x05	Home.
0x06	End.
0x07	Insert.
0x08	Delete.
0x09	Page Up.
0x0a	Page Down.
0x0b	Function 1.
0x0c	Function 2.
0x0d	Function 3.
0x0e	Function 4.
0x0f	Function 5.
0x10	Function 6.
0x11	Function 7.
0x12	Function 8.
0x13	Function 9.
0x14	Function 10.
0x17	Escape.

## 11.2 Simple Text Input Protocol

The Simple Text Input protocol defines the minimum input required to support the *ConsoleIn* device.

### EFI\_SIMPLE\_TEXT\_INPUT\_PROTOCOL

#### Summary

This protocol is used to obtain input from the *ConsoleIn* device. The EFI specification requires that the **EFI\_SIMPLE\_TEXT\_INPUT\_PROTOCOL** supports the same languages as the corresponding **EFI\_SIMPLE\_TEXT\_OUTPUT\_PROTOCOL**.

#### GUID

```
#define EFI_SIMPLE_TEXT_INPUT_PROTOCOL_GUID \
    {0x387477c1, 0x69c7, 0x11d2, 0x8e39, 0x00, 0xa0, 0xc9, 0x69, 0x72, \
     0x3b}
```

#### Protocol Interface Structure

```
typedef struct _EFI_SIMPLE_TEXT_INPUT_PROTOCOL {
    EFI_INPUT_RESET                Reset;
    EFI_INPUT_READ_KEY             ReadKeyStroke;
    EFI_EVENT                      WaitForKey;
} EFI_SIMPLE_TEXT_INPUT_PROTOCOL;
```

#### Parameters

<i>Reset</i>	Reset the <i>ConsoleIn</i> device. See <b><u>Reset()</u></b> .
<i>ReadKeyStroke</i>	Returns the next input character. See <b><u>ReadKeyStroke()</u></b> .
<i>WaitForKey</i>	Event to use with <b><u>WaitForEvent()</u></b> to wait for a key to be available.

#### Description

The **EFI\_SIMPLE\_TEXT\_INPUT\_PROTOCOL** is used on the *ConsoleIn* device. It is the minimum required protocol for *ConsoleIn*.

## EFI\_SIMPLE\_TEXT\_INPUT\_PROTOCOL.Reset()

### Summary

Resets the input device hardware.

### Prototype

```
typedef
EFI_STATUS
(EFIAPI *EFI_INPUT_RESET) (
    IN EFI_SIMPLE_TEXT_INPUT_PROTOCOL *This,
    IN BOOLEAN ExtendedVerification
);
```

### Parameters

*This* A pointer to the **EFI\_SIMPLE\_TEXT\_INPUT\_PROTOCOL** instance. Type **EFI\_SIMPLE\_TEXT\_INPUT\_PROTOCOL** is defined in Section 11.2

*ExtendedVerification* Indicates that the driver may perform a more exhaustive verification operation of the device during reset.

### Description

The **Reset()** function resets the input device hardware.

As part of initialization process, the firmware/device will make a quick but reasonable attempt to verify that the device is functioning. If the *ExtendedVerification* flag is **TRUE** the firmware may take an extended amount of time to verify the device is operating on reset. Otherwise the reset operation is to occur as quickly as possible.

The hardware verification process is not defined by this specification and is left up to the platform firmware or driver to implement.

### Status Codes Returned

EFI_SUCCESS	The device was reset.
EFI_DEVICE_ERROR	The device is not functioning correctly and could not be reset.

## EFI\_SIMPLE\_TEXT\_INPUT.ReadKeyStroke()

### Summary

Reads the next keystroke from the input device.

### Prototype

```
typedef
EFI_STATUS
(EFIAPI *EFI_INPUT_READ_KEY) (
    IN EFI_SIMPLE_TEXT_INPUT_PROTOCOL *This,
    OUT EFI_INPUT_KEY *Key
);
```

### Parameters

<i>This</i>	A pointer to the <u>EFI_SIMPLE_TEXT_INPUT_PROTOCOL</u> instance. Type <u>EFI_SIMPLE_TEXT_INPUT_PROTOCOL</u> is defined in Section 11.2.
<i>Key</i>	A pointer to a buffer that is filled in with the keystroke information for the key that was pressed. Type <u>EFI_INPUT_KEY</u> is defined in “Related Definitions” below.

### Related Definitions

```
/**
//*****
// EFI_INPUT_KEY
//*****
typedef struct {
    UINT16 ScanCode;
    CHAR16 UnicodeChar;
} EFI_INPUT_KEY;
```

## Description

The **ReadKeyStroke ()** function reads the next keystroke from the input device. If there is no pending keystroke the function returns **EFI\_NOT\_READY**. If there is a pending keystroke, then *ScanCode* is the EFI scan code defined in Table 73. The *UnicodeChar* is the actual printable character or is zero if the key does not represent a printable character (control key, function key, etc.).

## Status Codes Returned

EFI_SUCCESS	The keystroke information was returned.
EFI_NOT_READY	There was no keystroke data available.
EFI_DEVICE_ERROR	The keystroke information was not returned due to hardware errors.

## 11.2.1 ConsoleOut or StandardError

The `EFI_SIMPLE_TEXT_OUTPUT_PROTOCOL` must implement the same Unicode code pages as the `SIMPLE_TEXT_INPUT_PROTOCOL`. The protocol must also support the Unicode control characters defined in Table 72. The `EFI_SIMPLE_TEXT_OUTPUT_PROTOCOL` supports special manipulation of the screen by programmatic methods and therefore does not support the EFI scan codes defined in Table 73.

## 11.3 Simple Text Output Protocol

The Simple Text Output protocol defines the minimum requirements for a text-based *ConsoleOut* device. The EFI specification requires that the `EFI_SIMPLE_TEXT_INPUT_PROTOCOL` support the same languages as the corresponding `EFI_SIMPLE_TEXT_OUTPUT_PROTOCOL`.

## EFI\_SIMPLE\_TEXT\_OUTPUT\_PROTOCOL

### Summary

This protocol is used to control text-based output devices.

### GUID

```
#define EFI_SIMPLE_TEXT_OUTPUT_PROTOCOL_GUID \
    {0x387477c2, 0x69c7, 0x11d2, 0x8e39, 0x00, 0xa0, 0xc9, 0x69, 0x72, \
     0x3b}
```

### Protocol Interface Structure

```
typedef struct _EFI_SIMPLE_TEXT_OUTPUT_PROTOCOL {
    EFI_TEXT_RESET                Reset;
    EFI_TEXT_STRING               OutputString;
    EFI_TEXT_TEST_STRING          TestString;
    EFI_TEXT_QUERY_MODE           QueryMode;
    EFI_TEXT_SET_MODE              SetMode;
    EFI_TEXT_SET_ATTRIBUTE         SetAttribute;
    EFI_TEXT_CLEAR_SCREEN         ClearScreen;
    EFI_TEXT_SET_CURSOR_POSITION   SetCursorPosition;
    EFI_TEXT_ENABLE_CURSOR        EnableCursor;
    SIMPLE_TEXT_OUTPUT_MODE       *Mode;
} EFI_SIMPLE_TEXT_OUTPUT_PROTOCOL;
```

### Parameters

<i>Reset</i>	Reset the <i>ConsoleOut</i> device. See <a href="#"><u>Reset()</u></a> .
<i>OutputString</i>	Displays the Unicode string on the device at the current cursor location. See <a href="#"><u>OutputString()</u></a> .
<i>TestString</i>	Tests to see if the <i>ConsoleOut</i> device supports this Unicode string. See <a href="#"><u>TestString()</u></a> .

<i>QueryMode</i>	Queries information concerning the output device's supported text mode. See <a href="#"><u>QueryMode()</u></a> .
<i>SetMode</i>	Sets the current mode of the output device. See <a href="#"><u>SetMode()</u></a> .
<i>SetAttribute</i>	Sets the foreground and background color of the text that is output. See <a href="#"><u>SetAttribute()</u></a> .
<i>ClearScreen</i>	Clears the screen with the currently set background color. See <a href="#"><u>ClearScreen()</u></a> .
<i>SetCursorPosition</i>	Sets the current cursor position. See <a href="#"><u>SetCursorPosition()</u></a> .
<i>EnableCursor</i>	Turns the visibility of the cursor on/off. See <a href="#"><u>EnableCursor()</u></a> .
<i>Mode</i>	Pointer to <a href="#"><u>SIMPLE_TEXT_OUTPUT_MODE</u></a> data. Type <a href="#"><u>SIMPLE_TEXT_OUTPUT_MODE</u></a> is defined in "Related Definitions" below.

The following data values in the [SIMPLE\\_TEXT\\_OUTPUT\\_MODE](#) interface are read-only and are changed by using the appropriate interface functions:

<i>MaxMode</i>	The number of modes supported by <a href="#"><u>QueryMode()</u></a> and <a href="#"><u>SetMode()</u></a> .
<i>Mode</i>	The text mode of the output device(s).
<i>Attribute</i>	The current character output attribute.
<i>CursorColumn</i>	The cursor's column.
<i>CursorRow</i>	The cursor's row.
<i>CursorVisible</i>	The cursor is currently visible or not.

## Related Definitions

```

//*****
// SIMPLE_TEXT_OUTPUT_MODE
//*****
typedef struct {
    INT32                               MaxMode;
    // current settings
    INT32                               Mode;
    INT32                               Attribute;
    INT32                               CursorColumn;
    INT32                               CursorRow;
    BOOLEAN                             CursorVisible;
} SIMPLE_TEXT_OUTPUT_MODE;

```

## Description

The **SIMPLE\_TEXT\_OUTPUT** protocol is used to control text-based output devices. It is the minimum required protocol for any handle supplied as the *ConsoleOut* or *StandardError* device. In addition, the minimum supported text mode of such devices is at least 80 x 25 characters.

A video device that only supports graphics mode is required to emulate text mode functionality. Output strings themselves are not allowed to contain any control codes other than those defined in Table 72. Positional cursor placement is done only via the **SetCursorPosition()** function. It is highly recommended that text output to the *StandardError* device be limited to sequential string outputs. (That is, it is not recommended to use **ClearScreen()** or **SetCursorPosition()** on output messages to *StandardError*.)

If the output device is not in a valid text mode at the time of the **HandleProtocol()** call, the device is to indicate that its *CurrentMode* is -1. On connecting to the output device the caller is required to verify the mode of the output device, and if it is not acceptable to set it to something it can use.



## EFI\_SIMPLE\_TEXT\_OUTPUT\_PROTOCOL.Reset()

### Summary

Resets the text output device hardware.

### Prototype

```
typedef
EFI_STATUS
(EFIAPI *EFI_TEXT_RESET) (
    IN EFI_SIMPLE_TEXT_OUTPUT_PROTOCOL    *This,
    IN BOOLEAN                            ExtendedVerification
);
```

### Parameters

*This* A pointer to the EFI\_SIMPLE\_TEXT\_OUTPUT\_PROTOCOL instance. Type EFI\_SIMPLE\_TEXT\_OUTPUT\_PROTOCOL is defined in the “Related Definitions” of Section 11.3.

*ExtendedVerification* Indicates that the driver may perform a more exhaustive verification operation of the device during reset.

### Description

The **Reset()** function resets the text output device hardware. The cursor position is set to (0, 0), and the screen is cleared to the default background color for the output device.

As part of initialization process, the firmware/device will make a quick but reasonable attempt to verify that the device is functioning. If the *ExtendedVerification* flag is **TRUE** the firmware may take an extended amount of time to verify the device is operating on reset. Otherwise the reset operation is to occur as quickly as possible.

The hardware verification process is not defined by this specification and is left up to the platform firmware or driver to implement.

### Status Codes Returned

EFI_SUCCESS	The text output device was reset.
EFI_DEVICE_ERROR	The text output device is not functioning correctly and could not be reset.

## EFI\_SIMPLE\_TEXT\_OUTPUT\_PROTOCOL.OutputString()

### Summary

Writes a Unicode string to the output device.

### Prototype

```
typedef
EFI_STATUS
(EFIAPI *EFI_TEXT_STRING) (
    IN EFI_SIMPLE_TEXT_OUTPUT_PROTOCOL    *This,
    IN CHAR16                             *String
);
```

### Parameters

*This* A pointer to the EFI\_SIMPLE\_TEXT\_OUTPUT\_PROTOCOL instance. Type EFI\_SIMPLE\_TEXT\_OUTPUT\_PROTOCOL is defined in the “Related Definitions” of Section 11.3.

*String* The Null-terminated Unicode string to be displayed on the output device(s). All output devices must also support the Unicode drawing characters defined in “Related Definitions.”

### Related Definitions

```
//*****
// UNICOD E DRAWING CHARACTERS
//*****

#define BOXDRAW_HORIZONTAL          0x2500
#define BOXDRAW_VERTICAL           0x2502
#define BOXDRAW_DOWN_RIGHT        0x250c
#define BOXDRAW_DOWN_LEFT         0x2510
#define BOXDRAW_UP_RIGHT          0x2514
#define BOXDRAW_UP_LEFT           0x2518
#define BOXDRAW_VERTICAL_RIGHT    0x251c
#define BOXDRAW_VERTICAL_LEFT     0x2524
#define BOXDRAW_DOWN_HORIZONTAL   0x252c
#define BOXDRAW_UP_HORIZONTAL     0x2534
#define BOXDRAW_VERTICAL_HORIZONTAL 0x253c
```

```

#define BOXDRAW_DOUBLE_HORIZONTAL          0x2550
#define BOXDRAW_DOUBLE_VERTICAL           0x2551
#define BOXDRAW_DOWN_RIGHT_DOUBLE        0x2552
#define BOXDRAW_DOWN_DOUBLE_RIGHT        0x2553
#define BOXDRAW_DOUBLE_DOWN_RIGHT        0x2554
#define BOXDRAW_DOWN_LEFT_DOUBLE         0x2555
#define BOXDRAW_DOWN_DOUBLE_LEFT         0x2556
#define BOXDRAW_DOUBLE_DOWN_LEFT         0x2557

#define BOXDRAW_UP_RIGHT_DOUBLE           0x2558
#define BOXDRAW_UP_DOUBLE_RIGHT           0x2559
#define BOXDRAW_DOUBLE_UP_RIGHT           0x255a

#define BOXDRAW_UP_LEFT_DOUBLE            0x255b
#define BOXDRAW_UP_DOUBLE_LEFT            0x255c
#define BOXDRAW_DOUBLE_UP_LEFT            0x255d

#define BOXDRAW_VERTICAL_RIGHT_DOUBLE     0x255e
#define BOXDRAW_VERTICAL_DOUBLE_RIGHT     0x255f
#define BOXDRAW_DOUBLE_VERTICAL_RIGHT     0x2560

#define BOXDRAW_VERTICAL_LEFT_DOUBLE      0x2561
#define BOXDRAW_VERTICAL_DOUBLE_LEFT      0x2562
#define BOXDRAW_DOUBLE_VERTICAL_LEFT      0x2563

#define BOXDRAW_DOWN_HORIZONTAL_DOUBLE    0x2564
#define BOXDRAW_DOWN_DOUBLE_HORIZONTAL    0x2565
#define BOXDRAW_DOUBLE_DOWN_HORIZONTAL    0x2566

#define BOXDRAW_UP_HORIZONTAL_DOUBLE      0x2567
#define BOXDRAW_UP_DOUBLE_HORIZONTAL      0x2568
#define BOXDRAW_DOUBLE_UP_HORIZONTAL      0x2569

#define BOXDRAW_VERTICAL_HORIZONTAL_DOUBLE 0x256a
#define BOXDRAW_VERTICAL_DOUBLE_HORIZONTAL 0x256b
#define BOXDRAW_DOUBLE_VERTICAL_HORIZONTAL 0x256c

//*****
// EFI Required Block Elements Code Chart
//*****

#define BLOCKELEMENT_FULL_BLOCK           0x2588
#define BLOCKELEMENT_LIGHT_SHADE         0x2591

```

```

//*****
// EFI Required Geometric Shapes Code Chart
//*****

#define GEOMETRICSHAPE_UP_TRIANGLE          0x25b2
#define GEOMETRICSHAPE_RIGHT_TRIANGLE      0x25ba
#define GEOMETRICSHAPE_DOWN_TRIANGLE       0x25bc
#define GEOMETRICSHAPE_LEFT_TRIANGLE       0x25c4

//*****
// EFI Required Arrow shapes
//*****

#define ARROW_UP                            0x2191
#define ARROW_DOWN                          0x2193

```

## Description

The **OutputString()** function writes a Unicode string to the output device. This is the most basic output mechanism on an output device. The *String* is displayed at the current cursor location on the output device(s) and the cursor is advanced according to the rules listed in Table 74.

**Table 74. EFI Cursor Location/Advance Rules**

Mnemonic	Unicode	Description
Null	U+0000	Ignore the character, and do not move the cursor.
BS	U+0008	If the cursor is not at the left edge of the display, then move the cursor left one column.
LF	U+000A	If the cursor is at the bottom of the display, then scroll the display one row, and do not update the cursor position. Otherwise, move the cursor down one row.
CR	U+000D	Move the cursor to the beginning of the current row.
Other	U+XXXX	Print the character at the current cursor position and move the cursor right one column. If this moves the cursor past the right edge of the display, then the line should wrap to the beginning of the next line. This is equivalent to inserting a CR and an LF. Note that if the cursor is at the bottom of the display, and the line wraps, then the display will be scrolled one line.

## NOTE

---

*If desired, the system's NVRAM environment variables may be used at install time to determine the configured locale of the system or the installation procedure can query the user for the proper language support. This is then used to either install the proper EFI image/loader or to configure the installed image's strings to use the proper text for the selected locale.*

---

## Status Codes Returned

EFI_SUCCESS	The string was output to the device.
EFI_DEVICE_ERROR	The device reported an error while attempting to output the text.
EFI_UNSUPPORTED	The output device's mode is not currently in a defined text mode.
EFI_WARN_UNKNOWN_GLYPH	This warning code indicates that some of the characters in the Unicode string could not be rendered and were skipped.

## EFI\_SIMPLE\_TEXT\_OUTPUT\_PROTOCOL.TestString()

### Summary

Verifies that all characters in a Unicode string can be output to the target device.

### Prototype

```
typedef
EFI_STATUS
(EFI_API *EFI_TEXT_TEST_STRING) (
    IN EFI_SIMPLE_TEXT_OUTPUT_PROTOCOL    *This,
    IN CHAR16                             *String
);
```

### Parameters

*This* A pointer to the **EFI\_SIMPLE\_TEXT\_OUTPUT\_PROTOCOL** instance. Type **EFI\_SIMPLE\_TEXT\_OUTPUT\_PROTOCOL** is defined in the “Related Definitions” of Section 11.3.

*String* The Null-terminated Unicode string to be examined for the output device(s).

### Description

The **TestString()** function verifies that all characters in a Unicode string can be output to the target device.

This function provides a way to know if the desired character set is present for rendering on the output device(s). This allows the installation procedure (or EFI image) to at least select a letter set that the output devices are capable of displaying. Since the output device(s) may be changed between boots, if the loader cannot adapt to such changes it is recommended that the loader call **OutputString()** with the text it has and ignore any “unsupported” error codes. The device(s) that are capable of displaying the Unicode letter set will do so.

### Status Codes Returned

EFI_SUCCESS	The device(s) are capable of rendering the output string.
EFI_UNSUPPORTED	Some of the characters in the Unicode string cannot be rendered by one or more of the output devices mapped by the EFI handle.

## EFI\_SIMPLE\_TEXT\_OUTPUT\_PROTOCOL.QueryMode()

### Summary

Returns information for an available text mode that the output device(s) supports.

### Prototype

```
typedef
EFI_STATUS
(EFIAPI *EFI_TEXT_QUERY_MODE) (
    IN EFI_SIMPLE_TEXT_OUTPUT_PROTOCOL    *This,
    IN UINTN                               ModeNumber,
    OUT UINTN                              *Columns,
    OUT UINTN                              *Rows
);
```

### Parameters

*This* A pointer to the **EFI\_SIMPLE\_TEXT\_OUTPUT\_PROTOCOL** instance. Type **EFI\_SIMPLE\_TEXT\_OUTPUT\_PROTOCOL** is defined in the “Related Definitions” of Section 11.3.

*ModeNumber* The mode number to return information on.

*Columns, Rows* Returns the geometry of the text output device for the request *ModeNumber*.

### Description

The **QueryMode()** function returns information for an available text mode that the output device(s) supports.

It is required that all output devices support at least 80x25 text mode. This mode is defined to be mode 0. If the output devices support 80x50, that is defined to be mode 1. All other text dimensions supported by the device will follow as modes 2 and above. If an output device supports modes 2 and above, but does not support 80x50, then querying for mode 1 will return **EFI\_UNSUPPORTED**.

### Status Codes Returned

EFI_SUCCESS	The requested mode information was returned.
EFI_DEVICE_ERROR	The device had an error and could not complete the request.
EFI_UNSUPPORTED	The mode number was not valid.

## EFI\_SIMPLE\_TEXT\_OUTPUT\_PROTOCOL.SetMode()

### Summary

Sets the output device(s) to a specified mode.

### Prototype

```
typedef
EFI_STATUS
(* EFI_API EFI_TEXT_SET_MODE) (
    IN EFI_SIMPLE_TEXT_OUTPUT_PROTOCOL    *This,
    IN UINTN                               ModeNumber
);
```

### Parameters

*This* A pointer to the **EFI\_SIMPLE\_TEXT\_OUTPUT\_PROTOCOL** instance. Type **EFI\_SIMPLE\_TEXT\_OUTPUT\_PROTOCOL** is defined in the “Related Definitions” of Section 11.3.

*ModeNumber* The text mode to set.

### Description

The **SetMode()** function sets the output device(s) to the requested mode. On success the device is in the geometry for the requested mode, and the device has been cleared to the current background color with the cursor at (0,0).

### Status Codes Returned

EFI_SUCCESS	The requested text mode was set.
EFI_DEVICE_ERROR	The device had an error and could not complete the request.
EFI_UNSUPPORTED	The mode number was not valid.



## EFI\_SIMPLE\_TEXT\_OUTPUT\_PROTOCOL.SetAttribute()

### Summary

Sets the background and foreground colors for the [OutputString\(\)](#) and [ClearScreen\(\)](#) functions.

### Prototype

```
typedef
EFI_STATUS
(EFIAPI *EFI_TEXT_SET_ATTRIBUTE) (
    IN EFI_SIMPLE_TEXT_OUTPUT_PROTOCOL    *This,
    IN UINTN                               Attribute
);
```

### Parameters

*This* A pointer to the `EFI_SIMPLE_TEXT_OUTPUT_PROTOCOL` instance. Type `EFI_SIMPLE_TEXT_OUTPUT_PROTOCOL` is defined in the “Related Definitions” of Section 11.3.

*Attribute* The attribute to set. Bits 0..3 are the foreground color, and bits 4..6 are the background color. All other bits are reserved. See “Related Definitions” below.

### Related Definitions

```
/**
// *****
// Attributes
// *****
#define EFI_BLACK            0x00
#define EFI_BLUE            0x01
#define EFI_GREEN           0x02
#define EFI_CYAN            0x03
#define EFI_RED             0x04
#define EFI_MAGENTA         0x05
#define EFI_BROWN           0x06
#define EFI_LIGHTGRAY       0x07
#define EFI_BRIGHT          0x08
#define EFI_DARKGRAY        0x08
#define EFI_LIGHTBLUE       0x09
#define EFI_LIGHTGREEN      0x0A
#define EFI_LIGHTCYAN       0x0B
#define EFI_LIGHTRED        0x0C
#define EFI_LIGHTMAGENTA    0x0D
#define EFI_YELLOW          0x0E
#define EFI_WHITE           0x0F
*/
```

```

#define EFI_BACKGROUND_BLACK          0x00
#define EFI_BACKGROUND_BLUE          0x10
#define EFI_BACKGROUND_GREEN         0x20
#define EFI_BACKGROUND_CYAN          0x30
#define EFI_BACKGROUND_RED            0x40
#define EFI_BACKGROUND_MAGENTA       0x50
#define EFI_BACKGROUND_BROWN         0x60
#define EFI_BACKGROUND_LIGHTGRAY     0x70

#define EFI_TEXT_ATTR(foreground,background) \
    ((foreground) | ((background) << 4))

```

## Description

The **SetAttribute()** function sets the background and foreground colors for the **OutputString()** and **ClearScreen()** functions.

The color mask can be set even when the device is in an invalid text mode.

Devices supporting a different number of text colors are required to emulate the above colors to the best of the device's capabilities.

## Status Codes Returned

EFI_SUCCESS	The requested attributes were set.
EFI_DEVICE_ERROR	The device had an error and could not complete the request.

## EFI\_SIMPLE\_TEXT\_OUTPUT\_PROTOCOL.ClearScreen()

### Summary

Clears the output device(s) display to the currently selected background color.

### Prototype

```
typedef
EFI_STATUS
(EFIAPI *EFI_TEXT_CLEAR_SCREEN) (
    IN EFI_SIMPLE_TEXT_OUTPUT_PROTOCOL    *This
);
```

### Parameters

*This* A pointer to the **EFI\_SIMPLE\_TEXT\_OUTPUT\_PROTOCOL** instance. Type **EFI\_SIMPLE\_TEXT\_OUTPUT\_PROTOCOL** is defined in the “Related Definitions” of Section 11.3.

### Description

The **ClearScreen()** function clears the output device(s) display to the currently selected background color. The cursor position is set to (0, 0).

### Status Codes Returned

EFI_SUCCESS	The operation completed successfully.
EFI_DEVICE_ERROR	The device had an error and could not complete the request.
EFI_UNSUPPORTED	The output device is not in a valid text mode.

## EFI\_SIMPLE\_TEXT\_OUTPUT\_PROTOCOL.SetCursorPosition()

### Summary

Sets the current coordinates of the cursor position.

### Prototype

```
typedef
EFI_STATUS
(EFIAPI *EFI_TEXT_SET_CURSOR_POSITION) (
    IN EFI_SIMPLE_TEXT_OUTPUT_PROTOCOL    *This,
    IN UINTN                               Column,
    IN UINTN                               Row
);
```

### Parameters

*This* A pointer to the **EFI\_SIMPLE\_TEXT\_OUTPUT\_PROTOCOL** instance. Type **EFI\_SIMPLE\_TEXT\_OUTPUT\_PROTOCOL** is defined in the “Related Definitions” of Section 11.3.

*Column, Row* The position to set the cursor to. Must be greater than or equal to zero and less than the number of columns and rows returned by **QueryMode ()**.

### Description

The **SetCursorPosition ()** function sets the current coordinates of the cursor position. The upper left corner of the screen is defined as coordinate (0, 0).

### Status Codes Returned

EFI_SUCCESS	The operation completed successfully.
EFI_DEVICE_ERROR	The device had an error and could not complete the request.
EFI_UNSUPPORTED	The output device is not in a valid text mode, or the cursor position is invalid for the current mode.

## EFI\_SIMPLE\_TEXT\_OUTPUT\_PROTOCOL.EnableCursor()

### Summary

Makes the cursor visible or invisible.

### Prototype

```
typedef
EFI_STATUS
(EFIAPI *EFI_TEXT_ENABLE_CURSOR) (
    IN EFI_SIMPLE_TEXT_OUTPUT_PROTOCOL    *This,
    IN BOOLEAN                             Visible
);
```

### Parameters

*This* A pointer to the **EFI\_SIMPLE\_TEXT\_OUTPUT\_PROTOCOL** instance. Type **EFI\_SIMPLE\_TEXT\_OUTPUT\_PROTOCOL** is defined in the “Related Definitions” of Section 11.3.

*Visible* If **TRUE**, the cursor is set to be visible. If **FALSE**, the cursor is set to be invisible.

### Description

The **EnableCursor()** function makes the cursor visible or invisible.

### Status Codes Returned

EFI_SUCCESS	The operation completed successfully.
EFI_DEVICE_ERROR	The device had an error and could not complete the request or the device does not support changing the cursor mode.
EFI_UNSUPPORTED	The output device does not support visibility control of the cursor.

## 11.4 Simple Pointer Protocol

This section defines the Simple Pointer Protocol and a detailed description of the **EFI\_SIMPLE\_POINTER\_PROTOCOL**. The intent of this section is to specify a simple method for accessing pointer devices. This would include devices such as mice and trackballs.

The **EFI\_SIMPLE\_POINTER\_PROTOCOL** allows information about a pointer device to be retrieved. This would include the status of buttons and the motion of the pointer device since the last time it was accessed. This protocol is attached the device handle of a pointer device, and can be used for input from the user in the preboot environment.

### EFI\_SIMPLE\_POINTER\_PROTOCOL

#### Summary

Provides services that allow information about a pointer device to be retrieved.

#### GUID

```
#define EFI_SIMPLE_POINTER_PROTOCOL_GUID \
    {0x31878c87, 0xb75, 0x11d5, 0x9a, 0x4f, 0x0, 0x90, 0x27, 0x3f, 0xc1, 0x4d}
```

#### Protocol Interface Structure

```
typedef struct _EFI_SIMPLE_POINTER_PROTOCOL {
    EFI_SIMPLE_POINTER_RESET      Reset;
    EFI_SIMPLE_POINTER_GET_STATE  GetState;
    EFI_EVENT                     WaitForInput;
    EFI_SIMPLE_POINTER_MODE       *Mode;
} EFI_SIMPLE_POINTER_PROTOCOL;
```

#### Parameters

<i>Reset</i>	Resets the pointer device. See the <b><u>Reset()</u></b> function description.
<i>GetState</i>	Retrieves the current state of the pointer device. See the <b><u>GetState()</u></b> function description.
<i>WaitForInput</i>	Event to use with <b><u>WaitForEvent()</u></b> to wait for input from the pointer device.
<i>Mode</i>	Pointer to <b>EFI_SIMPLE_POINTER_MODE</b> data. The type <b>EFI_SIMPLE_POINTER_MODE</b> is defined in “Related Definitions” below.

## Related Definitions

```
/** *****  
// EFI_SIMPLE_POINTER_MODE  
/** *****  
typedef struct {  
    UINT64          ResolutionX;  
    UINT64          ResolutionY;  
    UINT64          ResolutionZ;  
    BOOLEAN         LeftButton;  
    BOOLEAN         RightButton;  
} EFI_SIMPLE_POINTER_MODE;
```

The following data values in the **EFI\_SIMPLE\_POINTER\_MODE** interface are read-only and are changed by using the appropriate interface functions:

<i>ResolutionX</i>	The resolution of the pointer device on the x-axis in counts/mm. If 0, then the pointer device does not support an x-axis.
<i>ResolutionY</i>	The resolution of the pointer device on the y-axis in counts/mm. If 0, then the pointer device does not support a y-axis.
<i>ResolutionZ</i>	The resolution of the pointer device on the z-axis in counts/mm. If 0, then the pointer device does not support a z-axis.
<i>LeftButton</i>	<b>TRUE</b> if a left button is present on the pointer device. Otherwise <b>FALSE</b> .
<i>RightButton</i>	<b>TRUE</b> if a right button is present on the pointer device. Otherwise <b>FALSE</b> .

## Description

The **EFI\_SIMPLE\_POINTER\_PROTOCOL** provides a set of services for a pointer device that can be used as an input device from an application written to this specification. The services include the ability to reset the pointer device, retrieve the state of the pointer device, and retrieve the capabilities of the pointer device.

## EFI\_SIMPLE\_POINTER\_PROTOCOL.Reset()

### Summary

Resets the pointer device hardware.

### Prototype

```
typedef
EFI_STATUS
(EFIAPI *EFI_SIMPLE_POINTER_RESET) (
    IN EFI_SIMPLE_POINTER_PROTOCOL *This,
    IN BOOLEAN                      ExtendedVerification
);
```

### Parameters

*This* A pointer to the **EFI\_SIMPLE\_POINTER\_PROTOCOL** instance. Type **EFI\_SIMPLE\_POINTER\_PROTOCOL** is defined in Section 11.4.

*ExtendedVerification* Indicates that the driver may perform a more exhaustive verification operation of the device during reset.

### Description

This **Reset()** function resets the pointer device hardware.

As part of initialization process, the firmware/device will make a quick but reasonable attempt to verify that the device is functioning. If the *ExtendedVerification* flag is **TRUE** the firmware may take an extended amount of time to verify the device is operating on reset. Otherwise the reset operation is to occur as quickly as possible.

The hardware verification process is not defined by this specification and is left up to the platform firmware or driver to implement.

### Codes Returned

EFI_SUCCESS	The device was reset.
EFI_DEVICE_ERROR	The device is not functioning correctly and could not be reset.



## EFI\_SIMPLE\_POINTER\_PROTOCOL.GetState()

### Summary

Retrieves the current state of a pointer device.

### Prototype

```
typedef
EFI_STATUS
(EFIAPI *EFI_SIMPLE_POINTER_GET_STATE)
    IN EFI_SIMPLE_POINTER_PROTOCOL    *This,
    IN OUT EFI_SIMPLE_POINTER_STATE  *State
    );
```

### Parameters

*This* A pointer to the **EFI\_SIMPLE\_POINTER\_PROTOCOL** instance. Type **EFI\_SIMPLE\_POINTER\_PROTOCOL** is defined in Section 11.4.

*State* A pointer to the state information on the pointer device. Type **EFI\_SIMPLE\_POINTER\_STATE** is defined in “Related Definitions” below.

### Related Definitions

```
/**
//*****
// EFI_SIMPLE_POINTER_STATE
//*****
typedef struct {
    INT32          RelativeMovementX;
    INT32          RelativeMovementY;
    INT32          RelativeMovementZ;
    BOOLEAN        LeftButton;
    BOOLEAN        RightButton;
} EFI_SIMPLE_POINTER_STATE;
```

*RelativeMovementX* The signed distance in counts that the pointer device has been moved along the x-axis. The actual distance moved is  $RelativeMovementX / ResolutionX$  millimeters. If the *ResolutionX* field of the **EFI\_SIMPLE\_POINTER\_MODE** structure is 0, then this pointer device does not support an x-axis, and this field must be ignored.

*RelativeMovementY* The signed distance in counts that the pointer device has been moved along the y-axis. The actual distance moved is  $RelativeMovementY / ResolutionY$  millimeters. If the *ResolutionY* field of the **EFI\_SIMPLE\_POINTER\_MODE** structure is 0, then this pointer device does not support a y-axis, and this field must be ignored.

*RelativeMovementZ* The signed distance in counts that the pointer device has been moved along the z-axis. The actual distance moved is  $RelativeMovementZ / ResolutionZ$  millimeters. If the *ResolutionZ* field of the **EFI\_SIMPLE\_POINTER\_MODE** structure is 0, then this pointer device does not support a z-axis, and this field must be ignored.

*LeftButton* If **TRUE**, then the left button of the pointer device is being pressed. If **FALSE**, then the left button of the pointer device is not being pressed. If the *LeftButton* field of the **EFI\_SIMPLE\_POINTER\_MODE** structure is **FALSE**, then this field is not valid, and must be ignored.

*RightButton* If **TRUE**, then the right button of the pointer device is being pressed. If **FALSE**, then the right button of the pointer device is not being pressed. If the *RightButton* field of the **EFI\_SIMPLE\_POINTER\_MODE** structure is **FALSE**, then this field is not valid, and must be ignored.

## Description

The **GetState()** function retrieves the current state of a pointer device. This includes information on the buttons associated with the pointer device and the distance that each of the axes associated with the pointer device has been moved. If the state of the pointer device has not changed since the last call to **GetState()**, then **EFI\_NOT\_READY** is returned. If the state of the pointer device has changed since the last call to **GetState()**, then the state information is placed in *State*, and **EFI\_SUCCESS** is returned. If a device error occurs while attempting to retrieve the state information, then **EFI\_DEVICE\_ERROR** is returned.

## Status Codes Returned

EFI_SUCCESS	The state of the pointer device was returned in <i>State</i> .
EFI_NOT_READY	The state of the pointer device has not changed since the last call to <b>GetState()</b> .
EFI_DEVICE_ERROR	A device error occurred while attempting to retrieve the pointer device's current state.

## 11.5 EFI Simple Pointer Device Paths

An **EFI SIMPLE POINTER PROTOCOL** must be installed on a handle for its services to be available to drivers and applications written to this specification. In addition to the **EFI\_SIMPLE\_POINTER\_PROTOCOL**, an **EFI\_DEVICE\_PATH\_PROTOCOL** must also be installed on the same handle. See Chapter 9.2 for a detailed description of the **EFI\_DEVICE\_PATH\_PROTOCOL**.

A device path describes the location of a hardware component in a system from the processor's point of view. This includes the list of busses that lie between the processor and the pointer controller. The *UEFI Specification* takes advantage of the *ACPI Specification* to name system components. The following set of examples shows sample device paths for a PS/2\* mouse, a serial mouse, and a USB mouse.

Table 75 shows an example device path for a PS/2 mouse that is located behind a PCI to ISA bridge that is located at PCI device number 0x07 and PCI function 0x00, and is directly attached to a PCI root bridge. This device path consists of an ACPI Device Path Node for the PCI Root Bridge, a PCI Device Path Node for the PCI to ISA bridge, an ACPI Device Path Node for the PS/2 mouse, and a Device Path End Structure. The `_HID` and `_UID` of the first ACPI Device Path Node must match the ACPI table description of the PCI Root Bridge. The shorthand notation for this device path is:

**`ACPI (PNP0A03, 0) / PCI (7 | 0) / ACPI (PNP0F03, 0)`**

**Table 75. PS/2 Mouse Device Path**

Byte Offset	Byte Length	Data	Description
0x00	0x01	0x02	<b>Generic Device Path Header</b> – Type ACPI Device Path
0x01	0x01	0x01	Sub type – ACPI Device Path
0x02	0x02	0x0C	Length – 0x0C bytes
0x04	0x04	0x41D0, 0x0A03	<code>_HID</code> PNP0A03 – 0x41D0 represents a compressed string 'PNP' and is in the low order bytes.
0x08	0x04	0x0000	<code>_UID</code>
0x0C	0x01	0x01	<b>Generic Device Path Header</b> – Type Hardware Device Path
0x0D	0x01	0x01	Sub type – PCI
0x0E	0x02	0x06	Length – 0x06 bytes
0x10	0x01	0x00	PCI Function
0x11	0x01	0x07	PCI Device
0x12	0x01	0x02	<b>Generic Device Path Header</b> – Type ACPI Device Path
0x13	0x01	0x01	Sub type – ACPI Device Path
0x14	0x02	0x0C	Length – 0x0C bytes
0x16	0x04	0x41D0, 0x0F03	<code>_HID</code> PNP0F03 – 0x41D0 represents a compressed string 'PNP' and is in the low order bytes.
0x1A	0x04	0x0000	<code>_UID</code>
0x1E	0x01	0xFF	<b>Generic Device Path Header</b> – Type End of Hardware Device Path

Byte Offset	Byte Length	Data	Description
0x1F	0x01	0xFF	Sub type – End of Entire Device Path
0x20	0x02	0x04	Length – 0x04 bytes

Table 76 shows an example device path for a serial mouse that is located on COM 1 behind a PCI to ISA bridge that is located at PCI device number 0x07 and PCI function 0x00. The PCI to ISA bridge is directly attached to a PCI root bridge, and the communications parameters for COM 1 are 1200 baud, no parity, 8 data bits, and 1 stop bit. This device path consists of an ACPI Device Path Node for the PCI Root Bridge, a PCI Device Path Node for the PCI to ISA bridge, an ACPI Device Path Node for COM 1, a UART Device Path Node for the communications parameters, an ACPI Device Path Node for the serial mouse, and a Device Path End Structure. The `_HID` and `_UID` of the first ACPI Device Path Node must match the ACPI table description of the PCI Root Bridge. The shorthand notation for this device path is:

**ACPI (PNP0A03, 0) / PCI (7 | 0) / ACPI (PNP0501, 0) / UART (1200N81) / ACPI (PNP0F01, 0)**

**Table 76. Serial Mouse Device Path**

Byte Offset	Byte Length	Data	Description
0x00	0x01	0x02	<b>Generic Device Path Header</b> – Type ACPI Device Path
0x01	0x01	0x01	Sub type – ACPI Device Path
0x02	0x02	0x0C	Length – 0x0C bytes
0x04	0x04	0x41D0, 0x0A03	<code>_HID</code> PNP0A03 – 0x41D0 represents a compressed string ‘PNP’ and is in the low order bytes.
0x08	0x04	0x0000	<code>_UID</code>
0x0C	0x01	0x01	<b>Generic Device Path Header</b> – Type Hardware Device Path
0x0D	0x01	0x01	Sub type – PCI
0x0E	0x02	0x06	Length – 0x06 bytes
0x10	0x01	0x00	PCI Function
0x11	0x01	0x07	PCI Device
0x12	0x01	0x02	<b>Generic Device Path Header</b> – Type ACPI Device Path
0x13	0x01	0x01	Sub type – ACPI Device Path
0x14	0x02	0x0C	Length – 0x0C bytes
0x16	0x04	0x41D0, 0x0501	<code>_HID</code> PNP0501 – 0x41D0 represents a compressed string ‘PNP’ and is in the low order bytes.
0x1A	0x04	0x0000	<code>_UID</code>
0x1E	0x01	0x03	<b>Generic Device Path Header</b> – Messaging Device Path
0x1F	0x01	0x0E	Sub type – UART Device Path
0x20	0x02	0x13	Length – 0x13 bytes
0x22	0x04	0x00	Reserved
0x26	0x08	1200	Baud Rate

Byte Offset	Byte Length	Data	Description
0x2E	0x01	0x08	Data Bits
0x2F	0x01	0x01	Parity
0x30	0x01	0x01	Stop Bits
0x31	0x01	0x02	<b>Generic Device Path Header</b> – Type ACPI Device Path
0x32	0x01	0x01	Sub type – ACPI Device Path
0x33	0x02	0x0C	Length – 0x0C bytes
0x35	0x04	0x41D0, 0x0F01	_HID PNP0F01 – 0x41D0 represents a compressed string 'PNP' and is in the low order bytes.
0x39	0x04	0x0000	_UID
0x3D	0x01	0xFF	<b>Generic Device Path Header</b> – Type End of Hardware Device Path
0x3E	0x01	0xFF	Sub type – End of Entire Device Path
0x3F	0x02	0x04	Length – 0x04 bytes

Table 77 shows an example device path for a USB mouse that is behind a PCI to USB host controller that is located at PCI device number 0x07 and PCI function 0x02. The PCI to USB host controller is directly attached to a PCI root bridge. This device path consists of an ACPI Device Path Node for the PCI Root Bridge, a PCI Device Path Node for the PCI to USB controller, a USB Device Path Node, and a Device Path End Structure. The \_HID and \_UID of the first ACPI Device Path Node must match the ACPI table description of the PCI Root Bridge. The shorthand notation for this device path is:

**ACPI (PNP0A03, 0) / PCI (7 | 2) / USB (0, 0)**

**Table 77. USB Mouse Device Path**

Byte Offset	Byte Length	Data	Description
0x00	0x01	0x02	<b>Generic Device Path Header</b> – Type ACPI Device Path
0x01	0x01	0x01	Sub type – ACPI Device Path
0x02	0x02	0x0C	Length – 0x0C bytes
0x04	0x04	0x41D0, 0x0A03	_HID PNP0A03 – 0x41D0 represents a compressed string 'PNP' and is in the low order bytes.
0x08	0x04	0x0000	_UID
0x0C	0x01	0x01	<b>Generic Device Path Header</b> – Type Hardware Device Path
0x0D	0x01	0x01	Sub type – PCI
0x0E	0x02	0x06	Length – 0x06 bytes
0x10	0x01	0x02	PCI Function
0x11	0x01	0x07	PCI Device
0x12	0x01	0x03	<b>Generic Device Path Header</b> – Type Messaging Device Path
0x13	0x01	0x05	Sub type – USB
0x14	0x02	0x06	Length – 0x06 bytes
0x16	0x01	0x00	USB Port Number
0x17	0x01	0x00	USB Endpoint Number
0x18	0x01	0xFF	<b>Generic Device Path Header</b> – Type End of Hardware Device Path
0x19	0x01	0xFF	Sub type – End of Entire Device Path
0x1A	0x02	0x04	Length – 0x04 bytes

## 11.6 Serial I/O Protocol

This section defines the Serial I/O protocol. This protocol is used to abstract byte stream devices.

### EFI\_SERIAL\_IO\_PROTOCOL

#### Summary

This protocol is used to communicate with any type of character-based I/O device.

#### GUID

```
#define EFI_SERIAL_IO_PROTOCOL_GUID \
    {0xBB25CF6F, 0xF1D4, 0x11D2, 0x9A0C, 0x00, 0x90, 0x27, 0x3F, 0xC1, 0xFD}
```

#### Revision Number

```
#define EFI_SERIAL_IO_PROTOCOL_REVISION    0x00010000
```

#### Protocol Interface Structure

```
typedef struct {
    UINT32                Revision;
    EFI_SERIAL_RESET      Reset;
    EFI_SERIAL_SET_ATTRIBUTES SetAttributes;
    EFI_SERIAL_SET_CONTROL_BITS SetControl;
    EFI_SERIAL_GET_CONTROL_BITS GetControl;
    EFI_SERIAL_WRITE      Write;
    EFI_SERIAL_READ       Read;
    SERIAL_IO_MODE        *Mode;
} EFI_SERIAL_IO_PROTOCOL;
```

#### Parameters

<i>Revision</i>	The revision to which the <b>EFI_SERIAL_IO_PROTOCOL</b> adheres. All future revisions must be backwards compatible. If a future version is not backwards compatible, it is not the same GUID.
<i>Reset</i>	Resets the hardware device.
<i>SetAttributes</i>	Sets communication parameters for a serial device. These include the baud rate, receive FIFO depth, transmit/receive time out, parity, data bits, and stop bit attributes.
<i>SetControl</i>	Sets the control bits on a serial device. These include Request to Send and Data Terminal Ready.
<i>GetControl</i>	Reads the status of the control bits on a serial device. These include Clear to Send, Data Set Ready, Ring Indicator, and Carrier Detect.
<i>Write</i>	Sends a buffer of characters to a serial device.

*Read* Receives a buffer of characters from a serial device.

*Mode* Pointer to **SERIAL\_IO\_MODE** data. Type **SERIAL\_IO\_MODE** is defined in “Related Definitions” below.

## Related Definitions

```

//*****
// SERIAL_IO_MODE
//*****
typedef struct {
    UINT32                ControlMask;

    // current Attributes
    UINT32                Timeout;
    UINT64                BaudRate;
    UINT32                ReceiveFifoDepth;
    UINT32                DataBits;
    UINT32                Parity;
    UINT32                StopBits;
} SERIAL_IO_MODE;

```

The data values in the **SERIAL\_IO\_MODE** are read-only and are updated by the code that produces the **EFI\_SERIAL\_IO\_PROTOCOL** functions:

*ControlMask* A mask of the Control bits that the device supports. The device must always support the Input Buffer Empty control bit.

*Timeout* If applicable, the number of microseconds to wait before timing out a Read or Write operation.

*BaudRate* If applicable, the current baud rate setting of the device; otherwise, baud rate has the value of zero to indicate that device runs at the device’s designed speed.

*ReceiveFifoDepth* The number of characters the device will buffer on input.

*DataBits* The number of data bits in each character.

*Parity* If applicable, this is the **EFI\_PARITY\_TYPE** that is computed or checked as each character is transmitted or received. If the device does not support parity the value is the default parity value.

*StopBits* If applicable, the **EFI\_STOP\_BITS\_TYPE** number of stop bits per character. If the device does not support stop bits the value is the default stop bit value.



```

//*****
// EFI_PARITY_TYPE
//*****
typedef enum {
    DefaultParity,
    NoParity,
    EvenParity,
    OddParity,
    MarkParity,
    SpaceParity
} EFI_PARITY_TYPE;

//*****
// EFI_STOP_BITS_TYPE
//*****
typedef enum {
    DefaultStopBits,
    OneStopBit,           // 1 stop bit
    OneFiveStopBits,     // 1.5 stop bits
    TwoStopBits           // 2 stop bits
} EFI_STOP_BITS_TYPE;

```

## Description

The Serial I/O protocol is used to communicate with UART-style serial devices. These can be standard UART serial ports in PC-AT systems, serial ports attached to a USB interface, or potentially any character-based I/O device.

The Serial I/O protocol can control byte I/O style devices from a generic device, to a device with features such as a UART. As such many of the serial I/O features are optional to allow for the case of devices that do not have UART controls. Each of these options is called out in the specific serial I/O functions.

The default attributes for all UART-style serial device interfaces are: 115,200 baud, a 1 byte receive FIFO, a 1,000,000 microsecond timeout per character, no parity, 8 data bits, and 1 stop bit. Flow control is the responsibility of the software that uses the protocol. Hardware flow control can be implemented through the use of the [GetControl\(\)](#) and [SetControl\(\)](#) functions (described below) to monitor and assert the flow control signals. The XON/XOFF flow control algorithm can be implemented in software by inserting XON and XOFF characters into the serial data stream as required.

Special care must be taken if a significant amount of data is going to be read from a serial device. Since UEFI drivers are polled mode drivers, characters received on a serial device might be missed. It is the responsibility of the software that uses the protocol to check for new data often enough to guarantee that no characters will be missed. The required polling frequency depends on the baud rate of the connection and the depth of the receive FIFO.

## EFI\_SERIAL\_IO\_PROTOCOL.Reset()

### Summary

Resets the serial device.

### Prototype

```
typedef
EFI_STATUS
(EFIAPI *EFI_SERIAL_RESET) (
    IN EFI_SERIAL_IO_PROTOCOL  *This
);
```

### Parameters

*This* A pointer to the **EFI\_SERIAL\_IO\_PROTOCOL** instance. Type **EFI\_SERIAL\_IO\_PROTOCOL** is defined in Section 11.6.

### Description

The **Reset()** function resets the hardware of a serial device.

### Status Codes Returned

EFI_SUCCESS	The serial device was reset.
EFI_DEVICE_ERROR	The serial device could not be reset.

## EFI\_SERIAL\_IO\_PROTOCOL.SetAttributes()

### Summary

Sets the baud rate, receive FIFO depth, transmit/receive time out, parity, data bits, and stop bits on a serial device.

```
EFI_STATUS
(EFI_API *EFI_SERIAL_SET_ATTRIBUTES) (
    IN EFI_SERIAL_IO_PROTOCOL  *This,
    IN UINT64                  BaudRate,
    IN UINT32                  ReceiveFifoDepth,
    IN UINT32                  Timeout,
    IN EFI_PARITY_TYPE         Parity,
    IN UINT8                   DataBits,
    IN EFI_STOP_BITS_TYPE     StopBits
);
```

### Parameters

<i>This</i>	A pointer to the <b>EFI_SERIAL_IO_PROTOCOL</b> instance. Type <b>EFI_SERIAL_IO_PROTOCOL</b> is defined in Section 11.6.
<i>BaudRate</i>	The requested baud rate. A <i>BaudRate</i> value of 0 will use the device's default interface speed.
<i>ReceiveFifoDepth</i>	The requested depth of the FIFO on the receive side of the serial interface. A <i>ReceiveFifoDepth</i> value of 0 will use the device's default FIFO depth.
<i>Timeout</i>	The requested time out for a single character in microseconds. This timeout applies to both the transmit and receive side of the interface. A <i>Timeout</i> value of 0 will use the device's default time out value.
<i>Parity</i>	The type of parity to use on this serial device. A <i>Parity</i> value of <b>DefaultParity</b> will use the device's default parity value. Type <b>EFI_PARITY_TYPE</b> is defined in "Related Definitions" in Section 11.6.
<i>DataBits</i>	The number of data bits to use on this serial device. A <i>DataBits</i> value of 0 will use the device's default data bit setting.
<i>StopBits</i>	The number of stop bits to use on this serial device. A <i>StopBits</i> value of <b>DefaultStopBits</b> will use the device's default number of stop bits. Type <b>EFI_STOP_BITS_TYPE</b> is defined in "Related Definitions" in Section 11.6.

## Description

The **SetAttributes ()** function sets the baud rate, receive-FIFO depth, transmit/receive time out, parity, data bits, and stop bits on a serial device.

The controller for a serial device is programmed with the specified attributes. If the *Parity*, *DataBits*, or *StopBits* values are not valid, then an error will be returned. If the specified *BaudRate* is below the minimum baud rate supported by the serial device, an error will be returned. The nearest baud rate supported by the serial device will be selected without exceeding the *BaudRate* parameter. If the specified *ReceiveFifoDepth* is below the smallest FIFO size supported by the serial device, an error will be returned. The nearest FIFO size supported by the serial device will be selected without exceeding the *ReceiveFifoDepth* parameter.

## Status Codes Returned

EFI_SUCCESS	The new attributes were set on the serial device.
EFI_INVALID_PARAMETER	One or more of the attributes has an unsupported value.
EFI_DEVICE_ERROR	The serial device is not functioning correctly.

## EFI\_SERIAL\_IO\_PROTOCOL.SetControl()

### Summary

Sets the control bits on a serial device.

### Prototype

```
typedef
EFI_STATUS
(EFIAPI *EFI_SERIAL_SET_CONTROL) (
    IN EFI_SERIAL_IO_PROTOCOL  *This,
    IN UINT32                    Control
);
```

### Parameters

<i>This</i>	A pointer to the <b>EFI_SERIAL_IO_PROTOCOL</b> instance. Type <b>EFI_SERIAL_IO_PROTOCOL</b> is defined in Section 11.6.
<i>Control</i>	Sets the bits of <i>Control</i> that are settable. See “Related Definitions” below.

### Related Definitions

```
/**
// *****
// CONTROL BITS
// *****
#define EFI_SERIAL_CLEAR_TO_SEND          0x0010
#define EFI_SERIAL_DATA_SET_READY        0x0020
#define EFI_SERIAL_RING_INDICATE         0x0040
#define EFI_SERIAL_CARRIER_DETECT       0x0080
#define EFI_SERIAL_REQUEST_TO_SEND       0x0002
#define EFI_SERIAL_DATA_TERMINAL_READY   0x0001
#define EFI_SERIAL_INPUT_BUFFER_EMPTY    0x0100
#define EFI_SERIAL_OUTPUT_BUFFER_EMPTY   0x0200
#define EFI_SERIAL_HARDWARE_LOOPBACK_ENABLE 0x1000
#define EFI_SERIAL_SOFTWARE_LOOPBACK_ENABLE 0x2000
#define EFI_SERIAL_HARDWARE_FLOW_CONTROL_ENABLE 0x4000
```

## Description

The **SetControl()** function is used to assert or deassert the control signals on a serial device. The following signals are set according their bit settings:

- Request to Send
- Data Terminal Ready

Only the **REQUEST\_TO\_SEND**, **DATA\_TERMINAL\_READY**, **HARDWARE\_LOOPBACK\_ENABLE**, **SOFTWARE\_LOOPBACK\_ENABLE**, and **HARDWARE\_FLOW\_CONTROL\_ENABLE** bits can be set with **SetControl()**. All the bits can be read with **GetControl()**.

## Status Codes Returned

EFI_SUCCESS	The new control bits were set on the serial device.
EFI_UNSUPPORTED	The serial device does not support this operation.
EFI_DEVICE_ERROR	The serial device is not functioning correctly.

## EFI\_SERIAL\_IO\_PROTOCOL.GetControl()

### Summary

Retrieves the status of the control bits on a serial device.

### Prototype

```
typedef
EFI_STATUS
(EFIAPI *EFI_SERIAL_GET_CONTROL) (
    IN EFI_SERIAL_IO_PROTOCOL  *This,
    OUT UINT32                  *Control
);
```

### Parameters

*This* A pointer to the **EFI\_SERIAL\_IO\_PROTOCOL** instance. Type **EFI\_SERIAL\_IO\_PROTOCOL** is defined in Section 11.6.

*Control* A pointer to return the current control signals from the serial device. See “Related Definitions” below.

### Related Definitions

```
/**
// *****
// CONTROL BITS
// *****
#define EFI_SERIAL_CLEAR_TO_SEND          0x0010
#define EFI_SERIAL_DATA_SET_READY        0x0020
#define EFI_SERIAL_RING_INDICATE         0x0040
#define EFI_SERIAL_CARRIER_DETECT       0x0080
#define EFI_SERIAL_REQUEST_TO_SEND       0x0002
#define EFI_SERIAL_DATA_TERMINAL_READY   0x0001
#define EFI_SERIAL_INPUT_BUFFER_EMPTY    0x0100
#define EFI_SERIAL_OUTPUT_BUFFER_EMPTY    0x0200
#define EFI_SERIAL_HARDWARE_LOOPBACK_ENABLE 0x1000
#define EFI_SERIAL_SOFTWARE_LOOPBACK_ENABLE 0x2000
#define EFI_SERIAL_HARDWARE_FLOW_CONTROL_ENABLE 0x4000
```

## Description

The **GetControl ()** function retrieves the status of the control bits on a serial device.

## Status Codes Returned

EFI_SUCCESS	The control bits were read from the serial device.
EFI_DEVICE_ERROR	The serial device is not functioning correctly.



## EFI\_SERIAL\_IO\_PROTOCOL.Write()

### Summary

Writes data to a serial device.

### Prototype

```
typedef
EFI_STATUS
(EFIAPI *EFI_SERIAL_WRITE) (
    IN EFI_SERIAL_IO_PROTOCOL *This,
    IN OUT UINTN               *BufferSize,
    IN VOID                   *Buffer
);
```

### Parameters

<i>This</i>	A pointer to the <b>EFI_SERIAL_IO_PROTOCOL</b> instance. Type <b>EFI_SERIAL_IO_PROTOCOL</b> is defined in Section 11.6.
<i>BufferSize</i>	On input, the size of the <i>Buffer</i> . On output, the amount of data actually written.
<i>Buffer</i>	The buffer of data to write.

### Description

The **Write()** function writes the specified number of bytes to a serial device. If a time out error occurs while data is being sent to the serial port, transmission of this buffer will terminate, and **EFI\_TIMEOUT** will be returned. In all cases the number of bytes actually written to the serial device is returned in *BufferSize*.

### Status Codes Returned

EFI_SUCCESS	The data was written.
EFI_DEVICE_ERROR	The device reported an error.
EFI_TIMEOUT	The data write was stopped due to a timeout.

## EFI\_SERIAL\_IO\_PROTOCOL.Read()

### Summary

Reads data from a serial device.

### Prototype

```
typedef
EFI_STATUS
(EFIAPI *EFI_SERIAL_READ) (
    IN EFI_SERIAL_IO_PROTOCOL *This,
    IN OUT UINTN               *BufferSize,
    OUT VOID                   *Buffer
);
```

### Parameters

<i>This</i>	A pointer to the <b>EFI_SERIAL_IO_PROTOCOL</b> instance. Type <b>EFI_SERIAL_IO_PROTOCOL</b> is defined in Section 11.6.
<i>BufferSize</i>	On input, the size of the <i>Buffer</i> . On output, the amount of data returned in <i>Buffer</i> .
<i>Buffer</i>	The buffer to return the data into.

### Description

The **Read()** function reads a specified number of bytes from a serial device. If a time out error or an overrun error is detected while data is being read from the serial device, then no more characters will be read, and an error will be returned. In all cases the number of bytes actually read is returned in *BufferSize*.

### Status Codes Returned

EFI_SUCCESS	The data was read.
EFI_DEVICE_ERROR	The serial device reported an error.
EFI_TIMEOUT	The operation was stopped due to a timeout or overrun.

## 11.7 Graphics Output Protocol

The goal of this section is to replace the functionality that currently exists with VGA hardware and its corresponding video BIOS. The Graphics Output Protocol is a software abstraction and its goal is to support any foreseeable graphics hardware and not require VGA hardware, while at the same time also lending itself to implementation on the current generation of VGA hardware.

Graphics output is important in the pre-boot space to support modern firmware features. These features include the display of logos, the localization of output to any language, and setup and configuration screens.

Graphics output may also be required as part of the startup of an operating system. There are potentially times in modern operating systems prior to the loading of a high performance OS graphics driver where access to graphics output device is required. The Graphics Output Protocol supports this capability by providing the EFI OS loader access to a hardware frame buffer and enough information to allow the OS to draw directly to the graphics output device.

The **EFI GRAPHICS OUTPUT PROTOCOL** supports three member functions to support the limited graphics needs of the pre-boot environment. These member functions allow the caller to draw to a virtualized frame buffer, retrieve the supported video modes, and to set a video mode. These simple primitives are sufficient to support the general needs of pre-OS firmware code.

The **EFI GRAPHICS OUTPUT PROTOCOL** also exports enough information about the current mode for operating system startup software to access the linear frame buffer directly.

The interface structure for the Graphics Output protocol is defined in this section. A unique Graphics Output protocol must represent each video frame buffer in the system that is driven out to one or more video output devices.

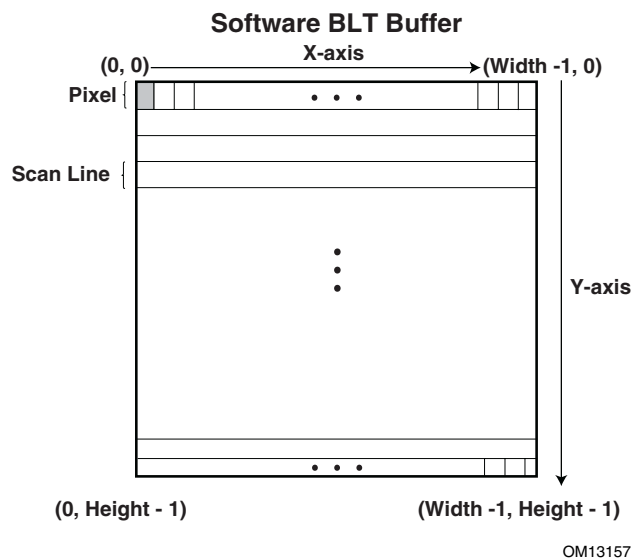
### 11.7.1 Blt Buffer

The basic graphics operation in the **EFI\_GRAPHICS\_OUTPUT\_PROTOCOL** is the Block Transfer or Blt. The Blt operation allows data to be read or written to the video adapter's video memory. The Blt operation abstracts the video adapters hardware implementation by introducing the concept of a software Blt buffer.

The frame buffer abstracts the video display as an array of pixels. Each pixels location on the video display is defined by its X and Y coordinates. The X coordinate represents a scan line. A scan line is a horizontal line of pixels on the display. The Y coordinate represents a vertical line on the display. The upper left hand corner of the video display is defined as (0, 0) where the notation (X, Y) represents the X and Y coordinate of the pixel. The lower right corner of the video display is represented by (Width -1, Height -1).

The software Blt buffer is structured as an array of pixels. Pixel (0, 0) is the first element of the software Blt buffer. The Blt buffer can be thought of as a set of scan lines. It is possible to convert a pixel location on the video display to the Blt buffer using the following algorithm: Blt buffer array index = Y \* Width + X.

Each software Blt buffer entry represents a pixel that is comprised of a 32-bit quantity. Byte zero of the Blt buffer entry represents the Red component of the pixel. Byte one of the Blt buffer entry represents the Green component of the pixel. Byte two of the Blt buffer entry represents the Blue component of the pixel. Byte three of the Blt buffer entry is reserved and must be zero. The byte values for the red, green, and blue components represent the color intensity. This color intensity value range from a minimum intensity of 0 to maximum intensity of 255.



**Figure 25. Software BLT Buffer**

# EFI\_GRAPHICS\_OUTPUT\_PROTOCOL

## Summary

Provides a basic abstraction to set video modes and copy pixels to and from the graphics controller's frame buffer. The linear address of the hardware frame buffer is also exposed so software can write directly to the video hardware.

## GUID

```
#define EFI_GRAPHICS_OUTPUT_PROTOCOL_GUID \
    {0x9042a9de, 0x23dc, 0x4a38, 0x96, 0xfb, 0x7a, 0xde, 0xd0, 0x80, \
     0x51, 0x6a}
```

## Protocol Interface Structure

```
typedef struct EFI_GRAPHICS_OUTPUT_PROTOCOL {
    EFI_GRAPHICS_OUTPUT_PROTOCOL_QUERY_MODE    QueryMode;
    EFI_GRAPHICS_OUTPUT_PROTOCOL_SET_MODE      SetMode;
    EFI_GRAPHICS_OUTPUT_PROTOCOL_BLT          Blt;
    EFI_GRAPHICS_OUTPUT_PROTOCOL_MODE         *Mode;
} EFI_GRAPHICS_OUTPUT_PROTOCOL;
```

## Parameters

<i>QueryMode</i>	Returns information for an available graphics mode that the graphics device and the set of active video output devices supports.
<i>SetMode</i>	Set the video device into the specified mode and clears the visible portions of the output display to black.
<i>Blt</i>	Software abstraction to draw on the video device's frame buffer.
<i>Mode</i>	Pointer to <b>EFI_GRAPHICS_OUTPUT_PROTOCOL_MODE</b> data. Type <b>EFI_GRAPHICS_OUTPUT_PROTOCOL_MODE</b> is defined in "Related Definitions" below.

## Related Definitions

```
typedef struct {
    UINT32    RedMask;
    UINT32    GreenMask;
    UINT32    BlueMask;
    UINT32    ReservedMask;
} EFI_PIXEL_BITMASK;
```

If a bit is set in *RedMask*, *GreenMask*, or *BlueMask* then those bits of the pixel represent the corresponding color. Bits in *RedMask*, *GreenMask*, *BlueMask*, and *ReservedMask* must not overlap bit positions. The values for the red, green, and blue components in the bit mask represent the color intensity. The color intensities must increase as the color values for a each color

mask increase with a minimum intensity of all bits in a color mask clear to a maximum intensity of all bits in a color mask set.

```
typedef enum {  
    PixelRedGreenBlueReserved8BitPerColor,  
    PixelBlueGreenRedReserved8BitPerColor,  
    PixelBitMask,  
    PixelBltOnly,  
    PixelFormatMax  
} EFI_GRAPHICS_PIXEL_FORMAT;
```

*PixelRedGreenBlueReserved8BitPerColor* A pixel is 32-bits and byte zero represents red, byte one represents green, byte two represents blue, and byte three is reserved. This is the definition for the physical frame buffer. The byte values for the red, green, and blue components represent the color intensity. This color intensity value range from a minimum intensity of 0 to maximum intensity of 255.

*PixelBlueGreenRedReserved8BitPerColor* A pixel is 32-bits and byte zero represents blue, byte one represents green, byte two represents red, and byte three is reserved. This is the definition for the physical frame buffer. The byte values for the red, green, and blue components represent the color intensity. This color intensity value range from a minimum intensity of 0 to maximum intensity of 255.

*PixelBitMask* The pixel definition of the physical frame buffer is defined by **EFI\_PIXEL\_BITMASK**.

*PixelBltOnly* This mode does not support a physical frame buffer.

*PixelFormatMax* Valid **EFI\_GRAPHICS\_PIXEL\_FORMAT** enum values are less than this value.

```
typedef struct {  
    UINT32 Version;  
    UINT32 HorizontalResolution;  
    UINT32 VerticalResolution;  
    EFI_GRAPHICS_PIXEL_FORMAT PixelFormat;  
    EFI_PIXEL_BITMASK PixelInformation;
```

```

    UINT32                PixelsPerScanLine;
} EFI_GRAPHICS_OUTPUT_MODE_INFORMATION;

```

*Version* The version of this data structure. A value of zero represents the **EFI\_GRAPHICS\_OUTPUT\_MODE\_INFORMATION** structure as defined in this specification. Future version of this specification may extend this data structure in a backwards compatible way and increase the value of *Version*.

*HorizontalResolution* The size of video screen in pixels in the X dimension.

*VerticalResolution* The size of video screen in pixels in the Y dimension.

*PixelFormat* Enumeration that defines the physical format of the pixel. A value of *PixelBltOnly* implies that a linear frame buffer is not available for this mode.

*PixelInformation* This bit-mask is only valid if *PixelFormat* is set to *PixelPixelFormatMask*. A bit being set defines what bits are used for what purpose such as Red, Green, Blue, or Reserved.

*PixelsPerScanLine* Defines the number of pixel elements per scan line. Not all pixel elements may be visible. *PixelFormat* defines the format of the individual pixel.

```

typedef struct {
    UINT32                MaxMode;
    UINT32                Mode;
    EFI_GRAPHICS_OUTPUT_MODE_INFORMATION **Info;
    UINTN                SizeOfInfo;
    EFI_PHYSICAL_ADDRESS FrameBufferBase;
    UINTN                FrameBufferSize;
} EFI_GRAPHICS_OUTPUT_PROTOCOL_MODE;

```

The **EFI\_GRAPHICS\_OUTPUT\_PROTOCOL\_MODE** is read-only and values are only changed by using the appropriate interface functions:

*MaxMode* The number of modes supported by **QueryMode ()** and **SetMode ()**.

*Mode* Current Mode of the graphics device. Valid mode numbers are 0 to *MaxMode* -1.

*Info* Pointer to read-only **EFI\_GRAPHICS\_OUTPUT\_MODE\_INFORMATION** data.

*SizeOfInfo* Size of *Info* structure in bytes. Future versions of this specification may increase the size of the **EFI\_GRAPHICS\_OUTPUT\_MODE\_INFORMATION** data.

<i>FrameBufferBase</i>	Base address of graphics linear frame buffer. <i>Info</i> contains information required to allow software to draw directly to the frame buffer without using <b>Blit()</b> . Offset zero in <i>FrameBufferBase</i> represents the upper left pixel of the display.
<i>FrameBufferSize</i>	Size of the frame buffer represented by <i>FrameBufferBase</i> in bytes.

## Description

The **EFI\_GRAPHICS\_OUTPUT\_PROTOCOL** provides a software abstraction to allow pixels to be drawn directly to the frame buffer. The **EFI\_GRAPHICS\_OUTPUT\_PROTOCOL** is designed to be lightweight and to support the basic needs of graphics output prior to Operating System boot.



## EFI\_GRAPHICS\_OUTPUT\_PROTOCOL.QueryMode()

### Summary

Returns information for an available graphics mode that the graphics device and the set of active video output devices supports.

### Prototype

```
typedef
EFI_STATUS
(EFIAPI *EFI_GRAPHICS_OUTPUT_PROTOCOL_QUERY_MODE) (
    IN EFI_GRAPHICS_OUTPUT_PROTOCOL          *This,
    IN UINT32                                ModeNumber,
    OUT UINTN                                *SizeOfInfo
    OUT EFI_GRAPHICS_OUTPUT_MODE_INFORMATION *Info
);
```

### Parameters

<i>This</i>	The <b>EFI_GRAPHICS_OUTPUT_PROTOCOL</b> instance. Type <b>EFI_GRAPHICS_OUTPUT_PROTOCOL</b> is defined in this section.
<i>ModeNumber</i>	The mode number to return information on. The current mode and valid modes are read-only values in the <i>Mode</i> structure of the <b>EFI_GRAPHICS_OUTPUT_PROTOCOL</b> .
<i>SizeOfInfo</i>	A pointer to the size, in bytes, of the <i>Info</i> buffer.
<i>Info</i>	A pointer to a callee allocated buffer that returns information about <i>ModeNumber</i> .

### Description

The **QueryMode()** function returns information for an available graphics mode that the graphics device and the set of active video output devices supports. If *ModeNumber* is not between 0 and *MaxMode* – 1, then **EFI\_INVALID\_PARAMETER** is returned. *MaxMode* is available from the *Mode* structure of the **EFI\_GRAPHICS\_OUTPUT\_PROTOCOL**.

The size of the *Info* structure should never be assumed and the value of *SizeOfInfo* is the only valid way to know the size of *Info*.

If the **EFI\_GRAPHICS\_OUTPUT\_PROTOCOL** is installed on the handle that represents a single video output device, then the set of modes returned by this service is the subset of modes supported by both the graphics controller and the video output device.

If the **EFI\_GRAPHICS\_OUTPUT\_PROTOCOL** is installed on the handle that represents a combination of video output devices, then the set of modes returned by this service is the subset of modes supported by the graphics controller and the all of the video output devices represented by the handle.

## Status Codes Returned

EFI_SUCCESS	Valid mode information was returned.
EFI_DEVICE_ERROR	A hardware error occurred trying to retrieve the video mode.
EFI_INVALID_PARAMETER	<code>ModeNumber</code> is not valid.

## EFI\_GRAPHICS\_OUTPUT\_PROTOCOL.SetMode()

### Summary

Set the video device into the specified mode and clears the visible portions of the output display to black.

### Prototype

```
typedef
EFI_STATUS
(EFIAPI *EFI_GRAPHICS_OUTPUT_PROTOCOL_SET_MODE) (
    IN EFI_GRAPHICS_OUTPUT_PROTOCOL  *This,
    IN UINT32                          ModeNumber
);
```

### Parameters

<i>This</i>	The <b>EFI_GRAPHICS_OUTPUT_PROTOCOL</b> instance. Type <b>EFI_GRAPHICS_OUTPUT_PROTOCOL</b> is defined in this section.
<i>ModeNumber</i>	Abstraction that defines the current video mode. The current mode and valid modes are read-only values in the <i>Mode</i> structure of the <b>EFI_GRAPHICS_OUTPUT_PROTOCOL</b> .

### Description

This **SetMode()** function sets the graphics device and the set of active video output devices to the video mode specified by *ModeNumber*. If *ModeNumber* is not supported **EFI\_UNSUPPORTED** is returned.

If a device error occurs while attempting to set the video mode, then **EFI\_DEVICE\_ERROR** is returned. Otherwise, the graphics device is set to the requested geometry, the set of active output devices are set to the requested geometry, the visible portion of the hardware frame buffer is cleared to black, and **EFI\_SUCCESS** is returned.

## Status Codes Returned

<b>EFI_SUCCESS</b>	The graphics mode specified by <i>ModeNumber</i> was selected.
<b>EFI_DEVICE_ERROR</b>	The device had an error and could not complete the request.
<b>EFI_UNSUPPORTED</b>	<i>ModeNumber</i> is not supported by this device.

## EFI\_GRAPHICS\_OUTPUT\_PROTOCOL.Blit()

### Summary

Blit a rectangle of pixels on the graphics screen. Blit stands for BLock Transfer.

### Prototype

```
typedef struct {
    UINT8    Blue;
    UINT8    Green;
    UINT8    Red;
    UINT8    Reserved;
} EFI_GRAPHICS_OUTPUT_BLT_PIXEL;

typedef enum {
    EfiBltVideoFill,
    EfiBltVideoToBltBuffer,
    EfiBltBufferToVideo,
    EfiBltVideoToVideo,
    EfiGraphicsOutputBltOperationMax
} EFI_GRAPHICS_OUTPUT_BLT_OPERATION;

typedef
EFI_STATUS
(EFI_API *EFI_GRAPHICS_OUTPUT_PROTOCOL_BLT) (
    IN EFI_GRAPHICS_OUTPUT_PROTOCOL          *This,
    IN OUT EFI_GRAPHICS_OUTPUT_BLT_PIXEL    *BltBuffer, OPTIONAL
    IN  EFI_GRAPHICS_OUTPUT_BLT_OPERATION    BltOperation,
    IN  UINTN                                 SourceX,
    IN  UINTN                                 SourceY,
    IN  UINTN                                 DestinationX,
    IN  UINTN                                 DestinationY,
    IN  UINTN                                 Width,
    IN  UINTN                                 Height,
    IN  UINTN                                 Delta           OPTIONAL
);
```

## Parameters

<i>This</i>	The <b><u>EFI_GRAPHICS_OUTPUT_PROTOCOL</u></b> instance.
<i>BltBuffer</i>	The data to transfer to the graphics screen. Size is at least $Width * Height * \text{sizeof}(\text{EFI\_GRAPHICS\_OUTPUT\_BLT\_PIXEL})$ .
<i>BltOperation</i>	The operation to perform when copying <i>BltBuffer</i> on to the graphics screen.
<i>SourceX</i>	The X coordinate of the source for the <i>BltOperation</i> . The origin of the screen is 0, 0 and that is the upper left-hand corner of the screen.
<i>SourceY</i>	The Y coordinate of the source for the <i>BltOperation</i> . The origin of the screen is 0, 0 and that is the upper left-hand corner of the screen.
<i>DestinationX</i>	The X coordinate of the destination for the <i>BltOperation</i> . The origin of the screen is 0, 0 and that is the upper left-hand corner of the screen.
<i>DestinationY</i>	The Y coordinate of the destination for the <i>BltOperation</i> . The origin of the screen is 0, 0 and that is the upper left-hand corner of the screen.
<i>Width</i>	The width of a rectangle in the blt rectangle in pixels. Each pixel is represented by an <b>EFI_GRAPHICS_OUTPUT_PIXEL</b> element.
<i>Height</i>	The height of a rectangle in the blt rectangle in pixels. Each pixel is represented by an <b>EFI_GRAPHICS_OUTPUT_PIXEL</b> element.
<i>Delta</i>	Not used for <i>EfiBltVideoFill</i> or the <i>EfiBltVideoToVideo</i> operation. If a <i>Delta</i> of zero is used, the entire <i>BltBuffer</i> is being operated on. If a subrectangle of the <i>BltBuffer</i> is being used then <i>Delta</i> represents the number of bytes in a row of the <i>BltBuffer</i> .

## Description

The **Blit()** function is used to draw the *BltBuffer* rectangle onto the video screen.

The *BltBuffer* represents a rectangle of *Height* by *Width* pixels that will be drawn on the graphics screen using the operation specified by *BltOperation*. The *Delta* value can be used to enable the *BltOperation* to be performed on a sub-rectangle of the *BltBuffer*.

Table 78 describes the *BltOperations* that are supported on rectangles. Rectangles have coordinates (left, upper) (right, bottom):

**Table 78. Blt Operation Table**

Blt Operation	Operation
<b>EfiBltVideoFill</b>	Write data from the <i>BltBuffer</i> pixel (0,0) directly to every pixel of the video display rectangle ( <i>DestinationX</i> , <i>DestinationY</i> ) ( <i>DestinationX</i> + <i>Width</i> , <i>DestinationY</i> + <i>Height</i> ). Only one pixel will be used from the <i>BltBuffer</i> . <i>Delta</i> is NOT used.
<b>EfiBltVideoToBltBuffer</b>	Read data from the video display rectangle ( <i>SourceX</i> , <i>SourceY</i> ) ( <i>SourceX</i> + <i>Width</i> , <i>SourceY</i> + <i>Height</i> ) and place it in the <i>BltBuffer</i> rectangle ( <i>DestinationX</i> , <i>DestinationY</i> ) ( <i>DestinationX</i> + <i>Width</i> , <i>DestinationY</i> + <i>Height</i> ). If <i>DestinationX</i> or <i>DestinationY</i> is not zero then <i>Delta</i> must be set to the length in bytes of a row in the <i>BltBuffer</i> .
<b>EfiBltBufferToVideo</b>	Write data from the <i>BltBuffer</i> rectangle ( <i>SourceX</i> , <i>SourceY</i> ) ( <i>SourceX</i> + <i>Width</i> , <i>SourceY</i> + <i>Height</i> ) directly to the video display rectangle ( <i>DestinationX</i> , <i>DestinationY</i> ) ( <i>DestinationX</i> + <i>Width</i> , <i>DestinationY</i> + <i>Height</i> ). If <i>SourceX</i> or <i>SourceY</i> is not zero then <i>Delta</i> must be set to the length in bytes of a row in the <i>BltBuffer</i> .
<b>EfiBltVideoToVideo</b>	Copy from the video display rectangle ( <i>SourceX</i> , <i>SourceY</i> ) ( <i>SourceX</i> + <i>Width</i> , <i>SourceY</i> + <i>Height</i> ) to the video display rectangle ( <i>X</i> , <i>Y</i> ) ( <i>X</i> + <i>Width</i> , <i>Y</i> + <i>Height</i> ). The <i>BltBuffer</i> and <i>Delta</i> are not used in this mode. There is no limitation on the overlapping of the source and destination rectangles.

## Status Codes Returned

EFI_SUCCESS	<i>BltBuffer</i> was drawn to the graphics screen.
EFI_INVALID_PARAMETER	<i>BltOperation</i> is not valid.
EFI_DEVICE_ERROR	The device had an error and could not complete the request.

## EFI\_EDID\_DISCOVERED\_PROTOCOL

### Summary

This protocol contains the EDID information retrieved from a video output device.

### GUID

```
#define EFI_EDID_DISCOVERED_PROTOCOL_GUID \
    {0x1c0c34f6, 0xd380, 0x41fa, 0xa0, 0x49, 0x8a, 0xd0, 0x6c, 0x1a, \
     0x66, 0xaa}
```

### Protocol Interface Structure

```
typedef struct {
    UINT32    SizeOfEdid;
    UINT8     Edid;
} EFI_EDID_DISCOVERED_PROTOCOL;
```

### Parameter

<i>SizeOfEdid</i>	The size, in bytes, of the <i>Edid</i> buffer. 0 if no EDID information is available from the video output device. Otherwise, it must be a minimum of 128 bytes.
<i>Edid</i>	A pointer to a read-only array of bytes that contains the EDID information for a video output device. This pointer is <b>NULL</b> if no EDID information is available from the video output device. The minimum size of a valid <i>Edid</i> buffer is 128 bytes. EDID information is defined in the E-DID EEPROM specification published by VESA ( <a href="http://www.vesa.org">www.vesa.org</a> ).

### Description

**EFI\_EDID\_DISCOVERED\_PROTOCOL** represents the EDID information that is returned from a video output device. If the video output device does not contain any EDID information, then the *SizeOfEdid* field must set to zero and the *Edid* field must be set to **NULL**. The **EFI\_EDID\_DISCOVERED\_PROTOCOL** must be placed on every child handle that represents a possible video output device. The **EFI\_EDID\_DISCOVERED\_PROTOCOL** is never placed on child handles that represent combinations of two or more video output devices.



## EFI\_EDID\_ACTIVE\_PROTOCOL

### Summary

This protocol contains the EDID information for an active video output device. This is either the EDID information retrieved from the **EFI\_EDID\_OVERRIDE\_PROTOCOL** if an override is available, or an identical copy of the EDID information from the **EFI\_EDID\_DISCOVERED\_PROTOCOL** if no overrides are available.

### GUID

```
#define EFI_EDID_ACTIVE_PROTOCOL_GUID \  
    {0xbd8c1056,0x9f36,0x44ec,0x92,0xa8,0xa6,0x33,0x7f,0x81, \  
     0x79,0x86}
```

### Protocol Interface Structure

```
typedef struct {  
    UINT32    SizeOfEdid;  
    UINT8     *Edid;  
} EFI_EDID_ACTIVE_PROTOCOL;
```

### Parameter

<i>SizeOfEdid</i>	The size, in bytes, of the <i>Edid</i> buffer. 0 if no EDID information is available from the video output device. Otherwise, it must be a minimum of 128 bytes.
<i>Edid</i>	A pointer to a read-only array of bytes that contains the EDID information for an active video output device. This pointer is <b>NULL</b> if no EDID information is available for the video output device. The minimum size of a valid <i>Edid</i> buffer is 128 bytes. EDID information is defined in the E-DID EEPROM specification published by VESA ( <a href="http://www.vesa.org">www.vesa.org</a> ).

### Description

When the set of active video output devices attached to a frame buffer are selected, the **EFI\_EDID\_ACTIVE\_PROTOCOL** must be installed onto the handles that represent the each of those active video output devices. If the **EFI\_EDID\_OVERRIDE\_PROTOCOL** has override EDID information for an active video output device, then the EDID information specified by **GetEdid()** is used for the **EFI\_EDID\_ACTIVE\_PROTOCOL**. Otherwise, the EDID information from the **EFI\_EDID\_DISCOVERED\_PROTOCOL** is used for the **EFI\_EDID\_ACTIVE\_PROTOCOL**. Since all EDID information is read-only, it is legal for the pointer associated with the **EFI\_EDID\_ACTIVE\_PROTOCOL** to be the same as the pointer associated with the **EFI\_EDID\_DISCOVERED\_PROTOCOL** when no overrides are present.

## EFI\_EDID\_OVERRIDE\_PROTOCOL

### Summary

This protocol is produced by the platform to allow the platform to provide EDID information to the producer of the Graphics Output protocol.

### GUID

```
#define EFI_EDID_OVERRIDE_PROTOCOL_GUID \  
    {0x48ecb431, 0xfb72, 0x45c0, 0xa9, 0x22, 0xf4, 0x58, 0xfe, 0x4, 0xb, 0xd5}
```

### Protocol Interface Structure

```
typedef struct _EFI_EDID_OVERRIDE_PROTOCOL {  
    EFI_EDID_OVERRIDE_PROTOCOL_GET_EDID GetEdid;  
} EFI_EDID_OVERRIDE_PROTOCOL;
```

### Parameter

<i>GetEdid</i>	Returns EDID values and attributes that the Video BIOS must use
----------------	---

### Description

This protocol is produced by the platform to allow the platform to provide EDID information to the producer of the Graphics Output protocol.

## EFI\_EDID\_OVERRIDE\_PROTOCOL.GetEdid()

### Summary

Returns policy information and potentially a replacement EDID for the specified video output device.

### Prototype

```
typedef
EFI_STATUS
(EFI_API *EFI_EDID_OVERRIDE_PROTOCOL_GET_EDID) (
    IN      EFI_EDID_OVERRIDE_PROTOCOL  *This,
    IN      EFI_HANDLE                  *ChildHandle,
    OUT     UINT32                       *Attributes,
    IN OUT  UINTN                       *EdidSize,
    IN OUT  UINT8                       **Edid
);
```

### Parameters

<i>This</i>	The <b>EFI EDID OVERRIDE PROTOCOL</b> instance. Type <b>EFI_EDID_OVERRIDE_PROTOCOL</b> is defined in Section 11.8.
<i>ChildHandle</i>	A child handle that represents a possible video output device.
<i>Attributes</i>	A pointer to the attributes associated with <i>ChildHandle</i> video output device.
<i>EdidSize</i>	A pointer to the size, in bytes, of the <i>Edid</i> buffer.
<i>Edid</i>	A pointer to the callee allocated buffer that contains the EDID information associated with <i>ChildHandle</i> . If <i>EdidSize</i> is 0, then a pointer to <b>NULL</b> is returned.

### Related Definitions

```
#define EFI_EDID_OVERRIDE_DONT_OVERRIDE    0x01
#define EFI_EDID_OVERRIDE_ENABLE_HOT_PLUG 0x02
```

**Table 79. Attributes Definition Table**

Attribute Bit	EdidSize	Operation
0x0	!= 0	Use returned over ride EDID in all cases
0x0	0	No over rides or policy
EFI_EDID_OVERRIDE_DONT_OVERRIDE	!= 0	Only use returned over ride EDID if the display device does not have an EDID. If the display device has an EDID use that value.

Attribute Bit	EdidSize	Operation
<b>EFI_EDID_OVERRIDE_DONT_OVERRIDE</b>	0	No over rides or policy.
<b>EFI_EDID_OVERRIDE_ENABLE_HOT_PLUG</b>	!= 0	Enable hot plug and used returned over ride EDID in all cases. This means a Graphics Output protocol must be produced even if the display device is not present.
<b>EFI_EDID_OVERRIDE_ENABLE_HOT_PLUG</b>	0	Enable hot plug. This means a Graphics Output protocol must be produced even if the display device is not present.
<b>EFI_EDID_OVERRIDE_ENABLE_HOT_PLUG &amp; EFI_EDID_OVERRIDE_DONT_OVERRIDE</b>	!= 0	Enable hot plug. Only use returned over ride EDID if the display device does not have an EDID. This means a Graphics Output protocol must be produced even if the display device is not present.
<b>EFI_EDID_OVERRIDE_ENABLE_HOT_PLUG &amp; EFI_EDID_OVERRIDE_DONT_OVERRIDE</b>	0	Enable hot plug. This means a Graphics Output protocol must be produced even if the display device is not present.

## Description

This protocol is optionally provided by the platform to override or provide EDID information and/or output device display properties to the producer of the Graphics Output protocol. If *ChildHandle* does not represent a video output device, or there are no override for the video output device specified by *ChildHandle*, then **EFI\_UNSUPPORTED** is returned. Otherwise, the *Attributes*, *EdidSize*, and *Edid* parameters are returned along with a status of **EFI\_SUCCESS**. Table 79 defines the behavior for the combinations of the *Attribute* and *EdidSize* parameters when **EFI\_SUCCESS** is returned.

## Status Codes Returned

<b>EFI_SUCCESS</b>	Valid over rides returned for <i>ChildHandle</i> .
<b>EFI_UNSUPPORTED</b>	<i>ChildHandle</i> has no over rides.

## 11.8 Rules for PCI/AGP Devices

A UEFI driver that produces the Graphics Output Protocol must follow the UEFI driver model, produce an **EFI DRIVER BINDING PROTOCOL**, and follow the rules on implementing the **Supported()**, **Start()**, and **Stop()**. The **Start()** function must not update the video output device in any way that is visible to the user. The **Start()** function must create child handle for each physical video output device and each supported combination of video output devices. The driver must retrieve the EDID information from each physical video output device and produce a **EFI EDID DISCOVERED PROTOCOL** on the child handle that corresponds each physical video output device. The following summary describes the common initialization steps for a driver that produces the **EFI GRAPHICS OUTPUT PROTOCOL**. This summary assumes the graphics controller supports a single frame buffer. If a graphics device supports multiple frame

buffers, then handles for the frame buffers must be created first, and then the handles for the video output devices can be created as children of the frame buffer handles.

Summary of Initialization Steps:

- System calls **EFI\_DRIVER\_BINDING\_PROTOCOL.Start()**.
- If *RemainingDevicePath* is **NULL**, then a default set of active video output devices are selected by the driver. If the first node of *RemainingDevicePath* is not an ACPI \_ADR node or the first two nodes of *RemainingDevicePath* are not a Controller node followed by an ACPI \_ADR node, then **Start()** returns **EFI\_UNSUPPORTED**.
- **Start()** function creates a *ChildHandle* for each physical video output device and installs the **EFI\_DEVICE\_PATH\_PROTOCOL** onto the created *ChildHandle*. The **EFI\_DEVICE\_PATH\_PROTOCOL** is constructed by appending an ACPI \_ADR device path node describing the physical video output device to the end of the device path installed on the *ControllerHandle* passed into **Start()**.
- **Start()** function retrieves EDID information for each physical video output device and installs the **EFI\_EDID\_DISCOVERED\_PROTOCOL** onto the *ChildHandle* for each physical video output device. If no EDID data is available from the video output device, then *SizeOfEdid* is set to zero, and *Edid* is set to **NULL**.
- **Start()** function create a *ChildHandle* for each valid combination of two or more video output devices, and installs the **EFI\_DEVICE\_PATH\_PROTOCOL** onto the created *ChildHandle*. The **EFI\_DEVICE\_PATH\_PROTOCOL** is constructed by appending an ACPI \_ADR device path node describing the combination of video output devices to the end of the device path installed on the *ControllerHandle* passed into **Start()**. The ACPI \_ADR entry can represent complex topologies of devices and it is possible to have more than one ACPI \_ADR entry in a single device path node. Support of complex video output device topologies is an optional feature.
- **Start()** function evaluates the *RemainingDevicePath* to select the set of active video output devices. If *RemainingDevicePath* is **NULL**, then **Start()** selects a default set of video output devices. If *RemainingDevicePath* is not **NULL**, and ACPI \_ADR device path node of *RemainingDevicePath* does not match any of the created *ChildHandles*, then **Start()** must destroy all its *ChildHandles* and return **EFI\_UNSUPPORTED**. Otherwise, **Start()** selects the set of active video output devices specified by the ACPI \_ADR device path node in *RemainingDevicePath*.
- **Start()** retrieves the *ChildHandle* associated with each active video output device. Only *ChildHandles* that represent a physical video output device are considered. **Start()** calls the **EFI\_EDID\_OVERRIDE\_PROTOCOL.GetEdid()** service passing in *ChildHandle*. Depending on the return values from **GetEdid()**, either the override EDID information or the EDID information from the **EFI\_EDID\_DISCOVERED\_PROTOCOL** on *ChildHandle* is selected. See **GetEdid()** for a detailed description of this decision. The selected EDID information is used to produce the **EFI\_EDID\_ACTIVE\_PROTOCOL**, and that protocol is installed onto *ChildHandle*.

- **Start()** retrieves the one *ChildHandle* that represents the entire set of active video output devices. If this set is a single video output device, then this *ChildHandle* will be the same as the one used in the previous step. If this set is a combination of video output devices, then this will not be one of the *ChildHandles* used in the previous two steps. The **EFI\_GRAPHICS\_OUTPUT\_PROTOCOL** is installed onto this *ChildHandle*.
- The **QueryMode()** service of the **EFI\_GRAPHICS\_OUTPUT\_PROTOCOL** returns the set of modes that both the graphics controller and the set of active video output devices all support. If a different set of active video output device is selected, then a different set of modes will likely be produced by **QueryMode()**.
- **Start()** function optionally initializes video frame buffer hardware. The EFI driver has the option of delaying this operation until **SetMode()** is called.
- The EFI Driver must provide **EFI\_COMPONENT\_NAME\_PROTOCOL** **GetControllerName()** support for *ControllerHandle* and all the *ChildHandles* created by this driver. The name returned for *ControllerHandle* must return the name of the graphics device. The name returned for each of the *ChildHandles* allow the user to pick output display settings and should be constructed with this in mind.
- The EFI Driver's **Stop()** function must cleanly undo what the **Start()** function created.

An **EFI\_GRAPHICS\_OUTPUT\_PROTOCOL** must be implemented for every video frame buffer that exists on a video adapter. In most cases there will be a single **EFI\_GRAPHICS\_OUTPUT\_PROTOCOL** placed on one of the children of the *ControllerHandle* passed into the **EFI\_DRIVER\_BINDING.Start()** function.

If a single PCI device/function contains multiple frame buffers the **EFI\_GRAPHICS\_OUTPUT\_PROTOCOL** must create child handles of the PCI handle that inherit its PCI device path and appends a controller device path node. [cross reference 8.3.2.5 EFI 1.10 Controller Device Path]. The handles for the video output devices are children of the handles that represent the frame buffers..

A video device can support an arbitrary number of geometries, but it must support one or more of the following modes to conform to this specification:

Onboard graphics device

- A mode required in a platform design guide
- Native mode of the display

Plug in graphics device

- A mode required in a platform design guide
- 800 x 600 with 32-bit color depth or 640 x 480 with 32-bit color depth and a pixel format described by **PixelRedGreenBlueReserved8BitPerColor** or **PixelBlueGreenRedReserved8BitPerColor**.

A plug in graphics device that contains a ROM must have an EBC version of the EFI driver that produces the **EFI\_GRAPHICS\_OUTPUT\_PROTOCOL**.

If graphics output device supports both landscape and portrait mode displays it must return a different mode via **QueryMode()**. For example landscape mode could be 800 horizontal and 600 vertical while the equivalent portrait mode would be 600 horizontal and 800 vertical.







## 12.1 Load File Protocol

This section defines the Load File protocol. This protocol is designed to allow code running in the boot services environment to find and load other modules of code.

### EFI\_LOAD\_FILE\_PROTOCOL

#### Summary

Is used to obtain files from arbitrary devices.

#### GUID

```
#define EFI_LOAD_FILE_PROTOCOL_GUID \
    {0x56EC3091, 0x954C, 0x11d2, 0x8E3F, 0x00, 0xA0, 0xC9, 0x69, 0x72, 0x3B}
```

#### Protocol Interface Structure

```
typedef struct {
    EFI_LOAD_FILE          LoadFile;
} EFI_LOAD_FILE_PROTOCOL;
```

#### Parameters

*LoadFile* Causes the driver to load the requested file. See the [LoadFile\(\)](#) function description.

#### Description

The **EFI\_LOAD\_FILE\_PROTOCOL** is a simple protocol used to obtain files from arbitrary devices.

When the firmware is attempting to load a file, it first attempts to use the device's Simple File System protocol to read the file. If the file system protocol is found, the firmware implements the policy of interpreting the File Path value of the file being loaded. If the device does not support the file system protocol, the firmware then attempts to read the file via the **EFI\_LOAD\_FILE\_PROTOCOL** and the **LoadFile()** function. In this case the **LoadFile()** function implements the policy of interpreting the File Path value.

## EFI\_LOAD\_FILE\_PROTOCOL.LoadFile()

### Summary

Causes the driver to load a specified file.

### Prototype

```
typedef
EFI_STATUS
(EFIAPI *EFI_LOAD_FILE) (
    IN EFI_LOAD_FILE_PROTOCOL          *This,
    IN EFI_DEVICE_PATH_PROTOCOL        *FilePath,
    IN BOOLEAN                          BootPolicy,
    IN OUT UINTN                        *BufferSize,
    IN VOID                              *Buffer OPTIONAL
);
```

### Parameters

<i>This</i>	Indicates a pointer to the calling context. Type <b>EFI_LOAD_FILE_PROTOCOL</b> is defined in Section 12.1.
<i>FilePath</i>	The device specific path of the file to load. Type <b>EFI_DEVICE_PATH_PROTOCOL</b> is defined in Section 9.2.
<i>BootPolicy</i>	If <b>TRUE</b> , indicates that the request originates from the boot manager, and that the boot manager is attempting to load <i>FilePath</i> as a boot selection. If <b>FALSE</b> , then <i>FilePath</i> must match an exact file to be loaded.
<i>BufferSize</i>	On input the size of <i>Buffer</i> in bytes. On output with a return code of <b>EFI_SUCCESS</b> , the amount of data transferred to <i>Buffer</i> . On output with a return code of <b>EFI_BUFFER_TOO_SMALL</b> , the size of <i>Buffer</i> required to retrieve the requested file.
<i>Buffer</i>	The memory buffer to transfer the file to. If <i>Buffer</i> is <b>NULL</b> , then no the size of the requested file is returned in <i>BufferSize</i> .

### Description

The **LoadFile()** function interprets the device-specific *FilePath* parameter, returns the entire file into *Buffer*, and sets *BufferSize* to the amount of data returned. If *Buffer* is **NULL**, then the size of the file is returned in *BufferSize*. If *Buffer* is not **NULL**, and *BufferSize* is not large enough to hold the entire file, then **EFI\_BUFFER\_TOO\_SMALL** is returned, and *BufferSize* is updated to indicate the size of the buffer needed to obtain the file. In this case, no data is returned in *Buffer*.

If *BootPolicy* is **FALSE** the *FilePath* must match an exact file to be loaded. If no such file exists, **EFI\_NOT\_FOUND** is returned. If *BootPolicy* is **FALSE**, and an attempt is being made to perform a network boot through the PXE Base Code protocol, **EFI\_UNSUPPORTED** is returned.

If *BootPolicy* is **TRUE** the firmware's boot manager is attempting to load an EFI image that is a boot selection. In this case, *FilePath* contains the file path value in the boot selection option. Normally the firmware would implement the policy on how to handle an inexact boot file path; however, since in this case the firmware cannot interpret the file path, the **LoadFile()** function is responsible for implementing the policy. For example, in the case of a network boot through the PXE Base Code protocol, *FilePath* merely points to the root of the device, and the firmware interprets this as wanting to boot from the first valid loader. The following is a list of events that **LoadFile()** will implement for a PXE boot:

- Perform DHCP.
- Optionally prompt the user with a menu of boot selections.
- Discover the boot server and the boot file.
- Download the boot file into *Buffer* and update *BufferSize* with the size of the boot file.

## Status Codes Returned

EFI_SUCCESS	The file was loaded.
EFI_UNSUPPORTED	The device does not support the provided <i>BootPolicy</i> .
EFI_INVALID_PARAMETER	<i>FilePath</i> is not a valid device path, or <i>BufferSize</i> is <b>NULL</b> .
EFI_NO_MEDIA	No medium was present to load the file.
EFI_DEVICE_ERROR	The file was not loaded due to a device error.
EFI_NO_RESPONSE	The remote system did not respond.
EFI_NOT_FOUND	The file was not found.
EFI_ABORTED	The file load process was manually cancelled.
EFI_BUFFER_TOO_SMALL	The <i>BufferSize</i> is too small to read the current directory entry. <i>BufferSize</i> has been updated with the size needed to complete the request.

## 12.2 File System Format

The file system supported by the Extensible Firmware Interface is based on the FAT file system. EFI defines a specific version of FAT that is explicitly documented and testable. Conformance to the EFI specification and its associate reference documents is the only definition of FAT that needs to be implemented to support EFI. To differentiate the EFI file system from pure FAT, a new partition file system type has been defined.

EFI encompasses the use of FAT32 for a system partition, and FAT12 or FAT16 for removable media. The FAT32 system partition is identified by an OSType value other than that used to identify previous versions of FAT. This unique partition type distinguishes an EFI defined file system from a normal FAT file system. The file system supported by EFI includes support for long file names.

The definition of the EFI file system will be maintained by specification and will not evolve over time to deal with errata or variant interpretations in OS file system drivers or file system utilities. Future enhancements and compatibility enhancements to FAT will not be automatically included in EFI file systems. The EFI file system is a target that is fixed by the EFI specification, and other specifications explicitly referenced by the EFI specification.

For more information about the EFI file system and file image format, visit the web site from which this document was obtained.

### 12.2.1 System Partition

A System Partition is a partition in the conventional sense of a partition on a legacy system. For a hard disk, a partition is a contiguous grouping of sectors on the disk where the starting sector and size are defined by the Master Boot Record (MBR), which resides on LBA 0 (i.e., the first sector of the hard disk) (see Section 5.2), or the GUID Partition Table (GPT), which resides on logical block 1 (the second sector of the hard disk) (see Section 5.3.1). For a diskette (floppy) drive, a partition is defined to be the entire media. A System Partition can reside on any media that is supported by EFI Boot Services.

A System Partition supports backward compatibility with legacy systems by reserving the first block (sector) of the partition for compatibility code. On legacy systems, the first block (sector) of a partition is loaded into memory and execution is transferred to this code. EFI firmware does not execute the code in the MBR. The EFI firmware contains knowledge about the partition structure of various devices, and can understand legacy MBR, GPT, and “El Torito.”

The System Partition contains directories, data files, and UEFI Images. UEFI Images can contain a OS Loader, an driver to extend platform firmware capability, or an application that provides a transient service to the system. Applications written to this specification could include things such as a utility to create partitions or extended diagnostics. A System Partition can also support data files, such as error logs, that can be defined and used by various OS or system firmware software components.

### 12.2.1.1 File System Format

The first block (sector) of a partition contains a data structure called the BIOS Parameter Block (BPB) that defines the type and location of FAT file system on the drive. The BPB contains a data structure that defines the size of the media, the size of reserved space, the number of FAT tables, and the location and size of the root directory (not used in FAT32). The first block (sector) also contains code that will be executed as part of the boot process on a legacy system. This code in the first block (sector) usually contains code that can read a file from the root directory into memory and transfer control to it. Since EFI firmware contains a file system driver, EFI firmware can load any file from the file system without needing to execute any code from the media.

The EFI firmware must support the FAT32, FAT16, and FAT12 variants of the EFI file system. What variant of EFI FAT to use is defined by the size of the media. The rules defining the relationship between media size and FAT variants is defined in the specification for the EFI file system.

### 12.2.1.2 File Names

FAT stores file names in two formats. The original FAT format limited file names to eight characters with three extension characters. This type of file name is called an 8.3, pronounced eight dot three, file name. FAT was extended to include support for long file names (LFN).

FAT 8.3 file names are always stored as uppercase ASCII characters. LFN can either be stored as ASCII or Unicode and are stored case sensitive. The string that was used to open or create the file is stored directly into LFN. FAT defines that all files in a directory must have a unique name, and unique is defined as a case insensitive match. The following are examples of names that are considered to be the same and cannot exist in a single directory:

- “ThisIsAnExampleDirectory.Dir”
- “thisisanexamppldirectory.dir”
- THISISANEXAMPLEDIRECTORY.DIR
- ThisIsAnExampleDirectory.DIR

### 12.2.1.3 Directory Structure

An EFI system partition that is present on a hard disk must contain an EFI defined directory in the root directory. This directory is named **EFI**. All OS loaders and applications will be stored in subdirectories below **EFI**. Applications that are loaded by other applications or drivers are not required to be stored in any specific location in the EFI system partition. The choice of the subdirectory name is up to the vendor, but all vendors must pick names that do not collide with any other vendor’s subdirectory name. This applies to system manufacturers, operating system vendors, BIOS vendors, and third party tool vendors, or any other vendor that wishes to install files on an EFI system partition. There must also only be one executable EFI image for each supported processor architecture in each vendor subdirectory. This guarantees that there is only one image that can be loaded from a vendor subdirectory by the EFI Boot Manager. If more than one executable EFI image is present, then the boot behavior for the system will not be deterministic. There may also be an optional vendor subdirectory called **BOOT**.

This directory contains EFI images that aide in recovery if the boot selections for the software installed on the EFI system partition are ever lost. Any additional UEFI-compliant executables must be in subdirectories below the vendor subdirectory. The following is a sample directory structure for an EFI system partition present on a hard disk.

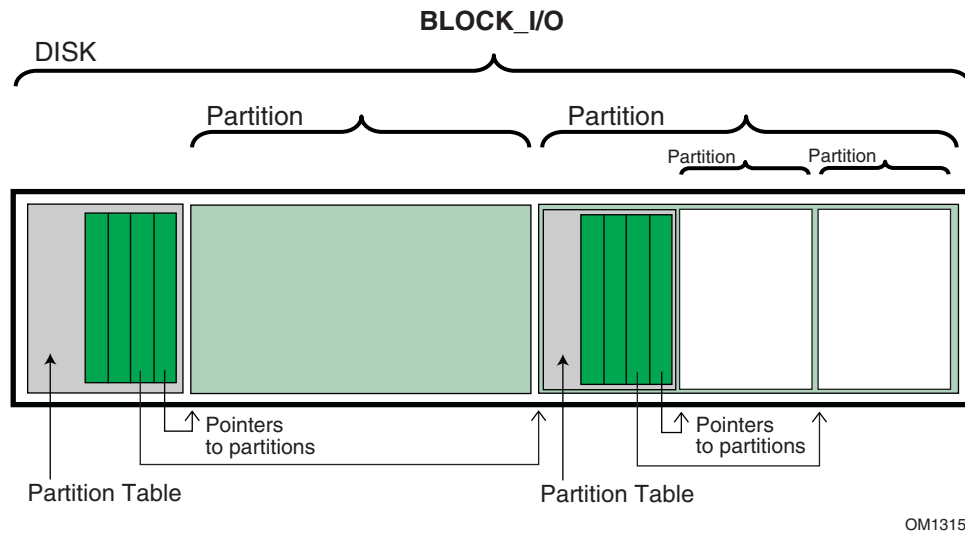
```
\EFI
  \<OS Vendor 1 Directory>
    <OS Loader Image>
  \<OS Vendor 2 Directory>
    <OS Loader Image>
  . . .
  \<OS Vendor N Directory>
    <OS Loader Image>
  \<OEM Directory>
    <OEM Application Image>
  \<BIOS Vendor Directory>
    <BIOS Vendor Application Image>
  \<Third Party Tool Vendor Directory>
    <Third Party Tool Vendor Application Image>
  \BOOT
    BOOT{machine type short name}.EFI
```

For removable media devices there must be only one UEFI-compliant system partition, and that partition must contain an UEFI-defined directory in the root directory. The directory will be named **EFI**. All OS loaders and applications will be stored in a subdirectory below **EFI** called **BOOT**. There must only be one executable EFI image for each supported processor architecture in the **BOOT** directory. For removable media to be bootable under EFI, it must be built in accordance with the rules laid out in Section 3.4.1.1. This guarantees that there is only one image that can be automatically loaded from a removable media device by the EFI Boot Manager. Any additional EFI executables must be in directories other than **BOOT**. The following is a sample directory structure for an EFI system partition present on a removable media device.

```
\EFI
  \BOOT
    BOOT{machine type short name}.EFI
```

## 12.2.2 Partition Discovery

This specification requires the firmware to be able to parse the legacy master boot record(MBR) (see Section 5.2.1), GUID Partition Table (GPT)(see Section 5.3.2), and El Torito (see Section 12.2.2.1) logical device volumes. The EFI firmware produces a logical **EFI BLOCK IO PROTOCOL** device for each GPT Partition Entry, El Torito logical device volume, and if no GPT Partition Table is present any partitions found in the legacy MBR partition tables. LBA zero of the **EFI BLOCK IO PROTOCOL** device will correspond to the first logical block of the partition. See Figure 26.



**Figure 26. Nesting of Legacy MBR Partition Records**

The following is the order in which a block device must be scanned to determine if it contains partitions. When a check for a valid partitioning scheme succeeds, the search terminates.

1. Check for GUID Partition Table Headers.
2. Follow ISO-9660 specification to search for ISO-9660 volume structures on the magic LBA.
  - Check for an “El Torito” volume extension and follow the “El Torito” CD-ROM specification.
3. If none of the above, check LBA 0 for a legacy MBR partition table.
4. No partition found on device.

EFI supports the nesting of legacy MBR partitions, by allowing any legacy MBR partition to contain more legacy MBR partitions. This is accomplished by supporting the same partition discovery algorithm on every logical block device. It should be noted that the GUID Partition Table does not allow nesting of GUID Partition Table Headers. Nesting is not needed since a GUID Partition Table Header can support an arbitrary number of partitions (the addressability limits of a 64-bit LBA are the limiting factor).

### 12.2.2.1 ISO-9660 and El Torito

ISO-9660 is the industry standard low level format used on CD-ROM and DVD-ROM. The CD-ROM format is completely described by the “El Torito” Bootable CD-ROM Format Specification Version 1.0. To boot from a CD-ROM or DVD-ROM in the boot services environment, an EFI System partition is stored in a “no emulation” mode as defined by the “El Torito” specification. A Platform ID of 0xEF indicates an EFI System Partition. The Platform ID is in either the Section Header Entry or the Validation Entry of the Booting Catalog as defined by the “El Torito” specification. EFI differs from “El Torito” “no emulation” mode in that it does not load the “no emulation” image into memory and jump to it. EFI interprets the “no emulation” image as an EFI system partition. EFI interprets the Sector Count in the Initial/Default Entry or the Section Header Entry to be the size of the EFI system partition. If the value of Sector Count is set to 0 or 1, EFI will assume the system partition consumes the space from the beginning of the “no emulation” image to the end of the CD-ROM.

DVD-ROM images formatted as required by the UDF 2.00 specification (*OSTA Universal Disk Format Specification*, Revision 2.00) can be booted by EFI. EFI supports booting from an ISO-9660 file system that conforms to the “*El Torito*” *Bootable CD-ROM Format Specification* on a DVD-ROM. A DVD-ROM that contains an ISO-9660 file system is defined as a “UDF Bridge” disk. Booting from CD-ROM and DVD-ROM is accomplished using the same methods.

Since the EFI file system definition does not use the same Initial/Default entry as a legacy CD-ROM it is possible to boot personal computers using an EFI CD-ROM or DVD-ROM. The inclusion of boot code for personal computers is optional and not required by EFI.

### 12.2.3 Media Formats

This section describes how booting from different types of removable media is handled. In general the rules are consistent regardless of a media’s physical type and whether it is removable or not.

#### 12.2.3.1 Removable Media

Removable media may contain a standard FAT12, FAT16, or FAT32 file system. Legacy 1.44 MB floppy devices typically support a FAT12 file system.

Booting from a removable media device can be accomplished the same way as any other boot. The boot file path provided to the boot manager can consist of a UEFI application image to load, or can merely be the path to a removable media device. In the first case, the path clearly indicates the image that is to be loaded. In the later case, the boot manager implements the policy to load the default application image from the device.

For removable media to be bootable under EFI, it must be built in accordance with the rules laid out in Section 3.4.1.1

#### 12.2.3.2 Diskette

EFI bootable diskettes follow the standard formatting conventions used on personal computers. The diskette contains only a single partition that complies to the EFI file system type. For diskettes to be bootable under EFI, it must be built in accordance with the rules laid out in Section 3.4.1.1.



Since the EFI file system definition does not use the code in the first block of the diskette, it is possible to boot personal computers using a diskette that is also formatted as an EFI bootable removable media device. The inclusion of boot code for personal computers is optional and not required by EFI.

Diskettes include the legacy 3.5-inch diskette drives as well as the newer larger capacity removable media drives such as an Iomega\* Zip\*, Fujitsu MO, or MKE LS-120/SuperDisk\*.

### 12.2.3.3 Hard Drive

Hard drives may contain multiple partitions as defined in Section 12.2.2 on partition discovery. Any partition on the hard drive may contain a file system that the EFI firmware recognizes. Images that are to be booted must be stored under the EFI subdirectory as defined in Sections 12.2.1 and 12.2.2.

EFI code does not assume a fixed block size.

Since EFI firmware does not execute the MBR code and does not depend on the *BootIndicator* field in the legacy MBR partition records, the hard disk can still boot and function normally.

### 12.2.3.4 CD-ROM and DVD-ROM

A CD-ROM or DVD-ROM may contain multiple partitions as defined Sections 12.2.1 and 12.2.2 and in the “El Torito” specification.

EFI code does not assume a fixed block size.

Since the EFI file system definition does not use the same Initial/Default entry as a legacy CD-ROM, it is possible to boot personal computers using an EFI CD-ROM or DVD-ROM. The inclusion of boot code for personal computers is optional and not required by EFI.

### 12.2.3.5 Network

To boot from a network device, the Boot Manager uses the Load File Protocol to perform a LoadFile () on the network device. This uses the PXE Base Code Protocol to perform DHCP and Discovery. This may result in a list of possible boot servers along with the boot files available on each server. The Load File Protocol for a network boot may then optionally produce a menu of these selections for the user to choose from. If this menu is presented, it will always have a timeout, so the Load File Protocol can automatically boot the default boot selection. If there is only one possible boot file, then the Load File Protocol can automatically attempt to load the one boot file.

The Load File Protocol will download the boot file using the MTFTP service in the PXE Base Code Protocol. The downloaded image must be an EFI image that the platform supports.

## 12.3 Simple File System Protocol

This section defines the Simple File System protocol. This protocol allows code running in the EFI boot services environment to obtain file based access to a device.

**EFI\_SIMPLE\_FILE\_SYSTEM\_PROTOCOL** is used to open a device volume and return an **EFI\_FILE\_PROTOCOL** that provides interfaces to access files on a device volume.

### EFI\_SIMPLE\_FILE\_SYSTEM\_PROTOCOL

#### Summary

Provides a minimal interface for file-type access to a device.

#### GUID

```
#define EFI_SIMPLE_FILE_SYSTEM_PROTOCOL_GUID \
{0x0964e5b22, 0x6459, 0x11d2, 0x8e39, 0x00, 0xa0, 0xc9, 0x69, 0x72, 0x3b}
```

#### Revision Number

```
#define EFI_SIMPLE_FILE_SYSTEM_PROTOCOL_REVISION 0x00010000
```

#### Protocol Interface Structure

```
typedef struct _EFI_SIMPLE_FILE_SYSTEM_PROTOCOL {
    UINT64                                     Revision;
    EFI_SIMPLE_FILE_SYSTEM_PROTOCOL_OPEN_VOLUME OpenVolume;
} EFI_SIMPLE_FILE_SYSTEM_PROTOCOL;
```

#### Parameters

<i>Revision</i>	The version of the <b>EFI_FILE_PROTOCOL</b> . The version specified by this specification is 0x00010000. All future revisions must be backwards compatible. If a future version is not backwards compatible, it is not the same GUID.
<i>OpenVolume</i>	Opens the volume for file I/O access. See the <b><u>OpenVolume()</u></b> function description.

## Description

The **EFI\_SIMPLE\_FILE\_SYSTEM\_PROTOCOL** provides a minimal interface for file-type access to a device. This protocol is only supported on some devices.

Devices that support the Simple File System protocol return an **EFI\_FILE\_PROTOCOL**. The only function of this interface is to open a handle to the root directory of the file system on the volume. Once opened, all accesses to the volume are performed through the volume's file handles, using the **EFI\_FILE\_PROTOCOL** protocol. The volume is closed by closing all the open file handles.

The firmware automatically creates handles for any block device that supports the following file system formats:

- FAT12
- FAT16
- FAT32

## EFI\_SIMPLE\_FILE\_SYSTEM\_PROTOCOL.OpenVolume()

### Summary

Opens the root directory on a volume.

### Prototype

```
typedef
EFI_STATUS
(EFIAPI *EFI_SIMPLE_FILE_SYSTEM_PROTOCOL_OPEN_VOLUME) (
    IN EFI_FILE_PROTOCOL          *This,
    OUT EFI_FILE_PROTOCOL         **Root
);
```

### Parameters

*This* A pointer to the volume to open the root directory of. See the type [EFI\\_SIMPLE\\_FILE\\_SYSTEM\\_PROTOCOL](#) description.

*Root* A pointer to the location to return the opened file handle for the root directory. See the type [EFI\\_FILE\\_PROTOCOL](#) description.

### Description

The **OpenVolume ()** function opens a volume, and returns a file handle to the volume's root directory. This handle is used to perform all other file I/O operations. The volume remains open until all the file handles to it are closed.

If the medium is changed while there are open file handles to the volume, all file handles to the volume will return **EFI\_MEDIA\_CHANGED**. To access the files on the new medium, the volume must be reopened with **OpenVolume ()**. If the new medium is a different file system than the one supplied in the **EFI\_HANDLE**'s **DevicePath** for the **EFI\_SIMPLE\_SYSTEM\_PROTOCOL**, **OpenVolume ()** will return **EFI\_UNSUPPORTED**.

### Status Codes Returned

EFI_SUCCESS	The file volume was opened.
EFI_UNSUPPORTED	The volume does not support the requested file system type.
EFI_NO_MEDIA	The device has no medium.
EFI_DEVICE_ERROR	The device reported an error.
EFI_VOLUME_CORRUPTED	The file system structures are corrupted.
EFI_ACCESS_DENIED	The service denied access to the file.
EFI_OUT_OF_RESOURCES	The file volume was not opened.
EFI_MEDIA_CHANGED	The device has a different medium in it or the medium is no longer supported. Any existing file handles for this volume are no longer valid. To access the files on the new medium, the volume must be reopened with <b>OpenVolume ()</b> .

## 12.4 EFI File Protocol

The protocol and functions described in this section support access to EFI-supported file systems.

### EFI\_FILE\_PROTOCOL

#### Summary

Provides file based access to supported file systems.

#### Revision Number

```
#define EFI_FILE_PROTOCOL_REVISION        0x00010000
```

#### Protocol Interface Structure

```
typedef struct _EFI_FILE_PROTOCOL {
    UINT64                Revision;
    EFI_FILE_OPEN         Open;
    EFI_FILE_CLOSE        Close;
    EFI_FILE_DELETE        Delete;
    EFI_FILE_READ          Read;
    EFI_FILE_WRITE         Write;
    EFI_FILE_GET_POSITION GetPosition;
    EFI_FILE_SET_POSITION SetPosition;
    EFI_FILE_GET_INFO      GetInfo;
    EFI_FILE_SET_INFO      SetInfo;
    EFI_FILE_FLUSH         Flush;
} EFI_FILE_PROTOCOL;
```

#### Parameters

<i>Revision</i>	The version of the <b>EFI_FILE_PROTOCOL</b> interface. The version specified by this specification is 0x00010000. Future versions are required to be backward compatible to version 1.0.
<i>Open</i>	Opens or creates a new file. See the <b>Open()</b> function description.
<i>Close</i>	Closes the current file handle. See the <b>Close()</b> function description.
<i>Delete</i>	Deletes a file. See the <b>Delete()</b> function description.
<i>Read</i>	Reads bytes from a file. See the <b>Read()</b> function description.
<i>Write</i>	Writes bytes to a file. See the <b>Write()</b> function description.
<i>GetPosition</i>	Returns the current file position. See the <b>GetPosition()</b> function description.
<i>SetPosition</i>	Sets the current file position. See the <b>SetPosition()</b> function description.

<i>GetInfo</i>	Gets the requested file or volume information. See the <a href="#"><u>GetInfo()</u></a> function description.
<i>SetInfo</i>	Sets the requested file information. See the <a href="#"><u>SetInfo()</u></a> function description.
<i>Flush</i>	Flushes all modified data associated with the file to the device. See the <a href="#"><u>Flush()</u></a> function description.

## Description

The **EFI\_FILE\_PROTOCOL** provides file IO access to supported file systems.

An **EFI\_FILE\_PROTOCOL** provides access to a file's or directory's contents, and is also a reference to a location in the directory tree of the file system in which the file resides. With any given file handle, other files may be opened relative to this file's location, yielding new file handles.

On requesting the file system protocol on a device, the caller gets the **EFI\_FILE\_PROTOCOL** to the volume. This interface is used to open the root directory of the file system when needed. The caller must [Close\(\)](#) the file handle to the root directory, and any other opened file handles before exiting. While there are open files on the device, usage of underlying device protocol(s) that the file system is abstracting must be avoided. For example, when a file system that is layered on a **DISK IO / EFI BLOCK IO PROTOCOL**, direct block access to the device for the blocks that comprise the file system must be avoided while there are open file handles to the same device.

A file system driver may cache data relating to an open file. A **Flush()** function is provided that flushes all dirty data in the file system, relative to the requested file, to the physical medium. If the underlying device may cache data, the file system must inform the device to flush as well.

## EFI\_FILE\_PROTOCOL.Open()

### Summary

Opens a new file relative to the source file's location.

### Prototype

```
typedef
EFI_STATUS
(EFIAPI *EFI_FILE_OPEN) (
    IN EFI_FILE_PROTOCOL          *This,
    OUT EFI_FILE_PROTOCOL        **NewHandle,
    IN CHAR16                    *FileName,
    IN UINT64                    OpenMode,
    IN UINT64                    Attributes
);
```

### Parameters

<i>This</i>	A pointer to the <b>EFI_FILE_PROTOCOL</b> instance that is the file handle to the source location. This would typically be an open handle to a directory. See the type <b>EFI_FILE_PROTOCOL</b> description.
<i>NewHandle</i>	A pointer to the location to return the opened handle for the new file. See the type <b>EFI_FILE_PROTOCOL</b> description.
<i>FileName</i>	The Null-terminated string of the name of the file to be opened. The file name may contain the following path modifiers: “\”, “.”, and “..”.
<i>OpenMode</i>	The mode to open the file. The only valid combinations that the file may be opened with are: Read, Read/Write, or Create/Read/Write. See “Related Definitions” below.
<i>Attributes</i>	Only valid for <b>EFI_FILE_MODE_CREATE</b> , in which case these are the attribute bits for the newly created file. See “Related Definitions” below.

## Related Definitions

```
//*****
// Open Modes
//*****
#define EFI_FILE_MODE_READ          0x0000000000000001
#define EFI_FILE_MODE_WRITE        0x0000000000000002
#define EFI_FILE_MODE_CREATE        0x8000000000000000

//*****
// File Attributes
//*****
#define EFI_FILE_READ_ONLY          0x0000000000000001
#define EFI_FILE_HIDDEN             0x0000000000000002
#define EFI_FILE_SYSTEM             0x0000000000000004
#define EFI_FILE_RESERVED           0x0000000000000008
#define EFI_FILE_DIRECTORY          0x0000000000000010
#define EFI_FILE_ARCHIVE            0x0000000000000020
#define EFI_FILE_VALID_ATTR        0x0000000000000037
```

## Description

The **Open ()** function opens the file or directory referred to by *FileName* relative to the location of *This* and returns a *NewHandle*. The *FileName* may include the following path modifiers:

- “\”                    If the filename starts with a “\” the relative location is the root directory that *This* resides on; otherwise “\” separates name components. Each name component is opened in turn, and the handle to the last file opened is returned.
- “.”                    Opens the current location.
- “..”                   Opens the parent directory for the current location. If the location is the root directory the request will return an error, as there is no parent directory for the root directory.

If **EFI\_FILE\_MODE\_CREATE** is set, then the file is created in the directory. If the final location of *FileName* does not refer to a directory, then the operation fails. If the file does not exist in the directory, then a new file is created. If the file already exists in the directory, then the existing file is opened.

If the medium of the device changes, all accesses (including the File handle) will result in **EFI\_MEDIA\_CHANGED**. To access the new medium, the volume must be reopened.



## Status Codes Returned

EFI_SUCCESS	The file was opened.
EFI_NOT_FOUND	The specified file could not be found on the device.
EFI_NO_MEDIA	The device has no medium.
EFI_MEDIA_CHANGED	The device has a different medium in it or the medium is no longer supported.
EFI_DEVICE_ERROR	The device reported an error.
EFI_VOLUME_CORRUPTED	The file system structures are corrupted.
EFI_WRITE_PROTECTED	An attempt was made to create a file, or open a file for write when the media is write-protected.
EFI_ACCESS_DENIED	The service denied access to the file.
EFI_OUT_OF_RESOURCES	Not enough resources were available to open the file.
EFI_VOLUME_FULL	The volume is full.

## EFI\_FILE\_PROTOCOL.Close()

### Summary

Closes a specified file handle.

### Prototype

```
typedef
EFI_STATUS
(EFIAPI *EFI_FILE_CLOSE) (
    IN EFI_FILE_PROTOCOL      *This
);
```

### Parameters

*This* A pointer to the EFI\_FILE\_PROTOCOL instance that is the file handle to close. See the type EFI\_FILE\_PROTOCOL description.

### Description

The **Close()** function closes a specified file handle. All “dirty” cached file data is flushed to the device, and the file is closed. *In all cases the handle is closed.*

### Status Codes Returned

EFI_SUCCESS	The file was closed.
-------------	----------------------

## EFI\_FILE\_PROTOCOL.Delete()

### Summary

Closes and deletes a file.

### Prototype

```
typedef
EFI_STATUS
(EFIAPI *EFI_FILE_DELETE) (
    IN EFI_FILE_PROTOCOL      *This
);
```

### Parameters

*This* A pointer to the EFI\_FILE\_PROTOCOL instance that is the handle to the file to delete. See the type EFI\_FILE\_PROTOCOL description.

### Description

The **Delete()** function closes and deletes a file. *In all cases the file handle is closed.* If the file cannot be deleted, the warning code **EFI\_WARN\_DELETE\_FAILURE** is returned, but the handle is still closed.

### Status Codes Returned

EFI_SUCCESS	The file was closed and deleted, and the handle was closed.
EFI_WARN_DELETE_FAILURE	The handle was closed, but the file was not deleted.

## EFI\_FILE\_PROTOCOL.Read()

### Summary

Reads data from a file.

### Prototype

```
typedef
EFI_STATUS
(EFI_API *EFI_FILE_READ) (
    IN EFI_FILE_PROTOCOL      *This,
    IN OUT UINTN              *BufferSize,
    OUT VOID                  *Buffer
);
```

### Parameters

<i>This</i>	A pointer to the <b>EFI_FILE_PROTOCOL</b> instance that is the file handle to read data from. See the type <b>EFI_FILE_PROTOCOL</b> description.
<i>BufferSize</i>	On input, the size of the <i>Buffer</i> . On output, the amount of data returned in <i>Buffer</i> . In both cases, the size is measured in bytes.
<i>Buffer</i>	The buffer into which the data is read.

### Description

The **Read()** function reads data from a file.

If *This* is not a directory, the function reads the requested number of bytes from the file at the file's current position and returns them in *Buffer*. If the read goes beyond the end of the file, the read length is truncated to the end of the file. The file's current position is increased by the number of bytes returned.

If *This* is a directory, the function reads the directory entry at the file's current position and returns the entry in *Buffer*. If the *Buffer* is not large enough to hold the current directory entry, then **EFI\_BUFFER\_TOO\_SMALL** is returned and the current file position is *not* updated. *BufferSize* is set to be the size of the buffer needed to read the entry. On success, the current position is updated to the next directory entry. If there are no more directory entries, the read returns a zero-length buffer. **EFI\_FILE\_INFO** is the structure returned as the directory entry.

## Status Codes Returned

EFI_SUCCESS	The data was read.
EFI_NO_MEDIA	The device has no medium.
EFI_DEVICE_ERROR	The device reported an error.
EFI_DEVICE_ERROR	An attempt was made to read from a deleted file.
EFI_DEVICE_ERROR	On entry, the current file position is beyond the end of the file.
EFI_VOLUME_CORRUPTED	The file system structures are corrupted.
EFI_BUFFER_TOO_SMALL	The <i>BufferSize</i> is too small to read the current directory entry. <i>BufferSize</i> has been updated with the size needed to complete the request.

## EFI\_FILE\_PROTOCOL.Write()

### Summary

Writes data to a file.

```
EFI_STATUS
(EFIAPI *EFI_FILE_WRITE) (
    IN EFI_FILE_PROTOCOL      *This,
    IN OUT UINTN              *BufferSize,
    IN VOID                   *Buffer
);
```

### Parameters

*This* A pointer to the **EFI\_FILE\_PROTOCOL** instance that is the file handle to write data to. See the type **EFI\_FILE\_PROTOCOL** description.

*BufferSize* On input, the size of the *Buffer*. On output, the amount of data actually written. In both cases, the size is measured in bytes.

*Buffer* The buffer of data to write.

### Description

The **Write()** function writes the specified number of bytes to the file at the current file position. The current file position is advanced the actual number of bytes written, which is returned in *BufferSize*. Partial writes only occur when there has been a data error during the write attempt (such as “file space full”). The file is automatically grown to hold the data if required.

Direct writes to opened directories are not supported.

### Status Codes Returned

EFI_SUCCESS	The data was written.
EFI_UNSUPPORTED	Writes to open directory files are not supported.
EFI_NO_MEDIA	The device has no medium.
EFI_DEVICE_ERROR	The device reported an error.
EFI_DEVICE_ERROR	An attempt was made to write to a deleted file.
EFI_VOLUME_CORRUPTED	The file system structures are corrupted.
EFI_WRITE_PROTECTED	The file or medium is write-protected.
EFI_ACCESS_DENIED	The file was opened read only.
EFI_VOLUME_FULL	The volume is full.

## EFI\_FILE\_PROTOCOL.SetPosition()

### Summary

Sets a file's current position.

### Prototype

```
typedef
EFI_STATUS
(EFI_API *EFI_FILE_SET_POSITION) (
    IN EFI_FILE_PROTOCOL      *This,
    IN UINT64                 Position
);
```

### Parameters

*This* A pointer to the **EFI\_FILE\_PROTOCOL** instance that is the file handle to set the requested position on. See the type **EFI\_FILE\_PROTOCOL** description.

*Position* The byte position from the start of the file to set.

### Description

The **SetPosition()** function sets the current file position for the handle to the position supplied. With the exception of seeking to position 0xFFFFFFFFFFFFFFFF, only absolute positioning is supported, and seeking past the end of the file is allowed (a subsequent write would grow the file). Seeking to position 0xFFFFFFFFFFFFFFFF causes the current position to be set to the end of the file.

If *This* is a directory, the only position that may be set is zero. This has the effect of starting the read process of the directory entries over.

### Status Codes Returned

EFI_SUCCESS	The position was set.
EFI_UNSUPPORTED	The seek request for nonzero is not valid on open directories.
EFI_DEVICE_ERROR	An attempt was made to set the position of a deleted file.

## EFI\_FILE\_PROTOCOL.GetPosition()

### Summary

Returns a file's current position.

### Prototype

```
typedef
EFI_STATUS
(EFIAPI *EFI_FILE_GET_POSITION) (
    IN EFI_FILE_PROTOCOL      *This,
    OUT UINT64                *Position
);
```

### Parameters

*This* A pointer to the EFI\_FILE\_PROTOCOL instance that is the file handle to get the current position on. See the type EFI\_FILE\_PROTOCOL description.

*Position* The address to return the file's current position value.

### Description

The **GetPosition()** function returns the current file position for the file handle. For directories, the current file position has no meaning outside of the file system driver and as such the operation is not supported. An error is returned if *This* is a directory.

### Status Codes Returned

EFI_SUCCESS	The position was returned.
EFI_UNSUPPORTED	The request is not valid on open directories.
EFI_DEVICE_ERROR	An attempt was made to get the position from a deleted file.



## EFI\_FILE\_PROTOCOL.GetInfo()

### Summary

Returns information about a file.

### Prototype

```
typedef
EFI_STATUS
(EFIAPI *EFI_FILE_GET_INFO) (
    IN EFI_FILE_PROTOCOL *This,
    IN EFI_GUID           *InformationType,
    IN OUT UINTN          *BufferSize,
    OUT VOID              *Buffer
);
```

### Parameters

<i>This</i>	A pointer to the <b>EFI_FILE_PROTOCOL</b> instance that is the file handle the requested information is for. See the type <b>EFI_FILE_PROTOCOL</b> description.
<i>InformationType</i>	The type identifier for the information being requested. Type <b>EFI_GUID</b> is defined in Section 6.3.1. See the <b>EFI_FILE_INFO</b> and <b>EFI_FILE_SYSTEM_INFO</b> descriptions for the related GUID definitions.
<i>BufferSize</i>	On input, the size of <i>Buffer</i> . On output, the amount of data returned in <i>Buffer</i> . In both cases, the size is measured in bytes.
<i>Buffer</i>	A pointer to the data buffer to return. The buffer's type is indicated by <i>InformationType</i> .

### Description

The **GetInfo()** function returns information of type *InformationType* for the requested file. If the file does not support the requested information type, then **EFI\_UNSUPPORTED** is returned. If the buffer is not large enough to fit the requested structure, **EFI\_BUFFER\_TOO\_SMALL** is returned and the *BufferSize* is set to the size of buffer that is required to make the request.

The information types defined by this specification are required information types that all file systems must support.

## Status Codes Returned

EFI_SUCCESS	The information was set.
EFI_UNSUPPORTED	The <i>InformationType</i> is not known.
EFI_NO_MEDIA	The device has no medium.
EFI_DEVICE_ERROR	The device reported an error.
EFI_VOLUME_CORRUPTED	The file system structures are corrupted.
EFI_BUFFER_TOO_SMALL	The <i>BufferSize</i> is too small to read the current directory entry. <i>BufferSize</i> has been updated with the size needed to complete the request.

## EFI\_FILE\_PROTOCOL.SetInfo()

### Summary

Sets information about a file.

### Prototype

```
typedef
EFI_STATUS
(EFIAPI *EFI_FILE_SET_INFO) (
    IN EFI_FILE_PROTOCOL  *This,
    IN EFI_GUID           *InformationType,
    IN UINTN              BufferSize,
    IN VOID               *Buffer
);
```

### Parameters

- This* A pointer to the [EFI\\_FILE\\_PROTOCOL](#) instance that is the file handle the information is for. See the type [EFI\\_FILE\\_PROTOCOL](#) description.
- InformationType* The type identifier for the information being set. Type [EFI\\_GUID](#) is defined in Section 6.3.1. See the [EFI\\_FILE\\_INFO](#) and [EFI\\_FILE\\_SYSTEM\\_INFO](#) descriptions in this section for the related GUID definitions.
- BufferSize* The size, in bytes, of *Buffer*.
- Buffer* A pointer to the data buffer to write. The buffer's type is indicated by *InformationType*.

### Description

The **SetInfo()** function sets information of type *InformationType* on the requested file. Because a read-only file can be opened only in read-only mode, an *InformationType* of [EFI\\_FILE\\_INFO\\_ID](#) can be used with a read-only file because this method is the only one that can be used to convert a read-only file to a read-write file. In this circumstance, only the *Attribute* field of the [EFI\\_FILE\\_INFO](#) structure may be modified. One or more calls to **SetInfo()** to change the *Attribute* field are permitted before it is closed. The file attributes will be valid the next time the file is opened with **Open()**.

An *InformationType* of [EFI\\_FILE\\_SYSTEM\\_INFO\\_ID](#) or [EFI\\_FILE\\_SYSTEM\\_VOLUME\\_LABEL\\_ID](#) may not be used on read-only media.

## Status Codes Returned

EFI_SUCCESS	The information was set.
EFI_UNSUPPORTED	The <i>InformationType</i> is not known.
EFI_NO_MEDIA	The device has no medium.
EFI_DEVICE_ERROR	The device reported an error.
EFI_VOLUME_CORRUPTED	The file system structures are corrupted.
EFI_WRITE_PROTECTED	<i>InformationType</i> is <b>EFI_FILE_INFO_ID</b> and the media is read-only.
EFI_WRITE_PROTECTED	<i>InformationType</i> is <b>EFI_FILE_PROTOCOL_SYSTEM_INFO_ID</b> and the media is read only.
EFI_WRITE_PROTECTED	<i>InformationType</i> is <b>EFI_FILE_SYSTEM_VOLUME_LABEL_ID</b> and the media is read-only.
EFI_ACCESS_DENIED	An attempt is made to change the name of a file to a file that is already present.
EFI_ACCESS_DENIED	An attempt is being made to change the <b>EFI_FILE_DIRECTORY Attribute</b> .
EFI_ACCESS_DENIED	An attempt is being made to change the size of a directory.
EFI_ACCESS_DENIED	<i>InformationType</i> is <b>EFI_FILE_INFO_ID</b> and the file was opened read-only and an attempt is being made to modify a field other than <i>Attribute</i> .
EFI_VOLUME_FULL	The volume is full.
EFI_BAD_BUFFER_SIZE	<i>BufferSize</i> is smaller than the size of the type indicated by <i>InformationType</i> .

## EFI\_FILE\_PROTOCOL.Flush()

### Summary

Flushes all modified data associated with a file to a device.

### Prototype

```
typedef
EFI_STATUS
(EFI_API *EFI_FILE_FLUSH) (
    IN EFI_FILE_PROTOCOL      *This
);
```

### Parameters

*This* A pointer to the EFI\_FILE\_PROTOCOL instance that is the file handle to flush. See the type EFI\_FILE\_PROTOCOL description.

### Description

The **Flush()** function flushes all modified data associated with a file to a device.

### Status Codes Returned

EFI_SUCCESS	The data was flushed.
EFI_NO_MEDIA	The device has no medium.
EFI_DEVICE_ERROR	The device reported an error.
EFI_VOLUME_CORRUPTED	The file system structures are corrupted.
EFI_WRITE_PROTECTED	The file or medium is write-protected.
EFI_ACCESS_DENIED	The file was opened read-only.
EFI_VOLUME_FULL	The volume is full.

## EFI\_FILE\_INFO

### Summary

Provides a GUID and a data structure that can be used with [EFI\\_FILE\\_PROTOCOL.SetInfo\(\)](#) and [EFI\\_FILE\\_PROTOCOL.GetInfo\(\)](#) to set or get generic file information.

### GUID

```
#define EFI_FILE_INFO_ID \  
{0x09576e92,0x6d3f,0x11d2,0x8e39,0x00,0xa0,0xc9,0x69,0x72,  
0x3b}
```

### Related Definitions

```
typedef struct {  
    UINT64                Size;  
    UINT64                FileSize;  
    UINT64                PhysicalSize;  
    EFI_TIME              CreateTime;  
    EFI_TIME              LastAccessTime;  
    EFI_TIME              ModificationTime;  
    UINT64                Attribute;  
    CHAR16                FileName[];  
} EFI_FILE_INFO;  
  
//*****  
// File Attribute Bits  
//*****  
  
#define EFI_FILE_READ_ONLY        0x0000000000000001  
#define EFI_FILE_HIDDEN          0x0000000000000002  
#define EFI_FILE_SYSTEM          0x0000000000000004  
#define EFI_FILE_RESERVED        0x0000000000000008  
#define EFI_FILE_DIRECTORY       0x0000000000000010  
#define EFI_FILE_ARCHIVE         0x0000000000000020  
#define EFI_FILE_VALID_ATTR      0x0000000000000037
```

## Parameters

<i>Size</i>	Size of the <b>EFI_FILE_INFO</b> structure, including the Null-terminated Unicode <i>FileName</i> string.
<i>FileSize</i>	The size of the file in bytes.
<i>PhysicalSize</i>	The amount of physical space the file consumes on the file system volume.
<i>CreateTime</i>	The time the file was created.
<i>LastAccessTime</i>	The time when the file was last accessed.
<i>ModificationTime</i>	The time when the file's contents were last modified.
<i>Attribute</i>	The attribute bits for the file. See "Related Definitions" above.
<i>FileName</i>	The Null-terminated Unicode name of the file.

## Description

The **EFI\_FILE\_INFO** data structure supports **GetInfo()** and **SetInfo()** requests. In the case of **SetInfo()**, the following additional rules apply:

- On directories, the file size is determined by the contents of the directory and cannot be changed by setting *FileSize*. On directories, *FileSize* is ignored during a **SetInfo()**.
- The *PhysicalSize* is determined by the *FileSize* and cannot be changed. This value is ignored during a **SetInfo()** request.
- The **EFI\_FILE\_DIRECTORY** attribute bit cannot be changed. It must match the file's actual type.
- A value of zero in *CreateTime*, *LastAccess*, or *ModificationTime* causes the fields to be ignored (and not updated).

## EFI\_FILE\_SYSTEM\_INFO

### Summary

Provides a GUID and a data structure that can be used with [EFI\\_FILE\\_PROTOCOL.GetInfo\(\)](#) to get information about the system volume, and [EFI\\_FILE\\_PROTOCOL.SetInfo\(\)](#) to set the system volume's volume label.

### GUID

```
#define EFI_FILE_SYSTEM_INFO_ID \
{0x09576e93,0x6d3f,0x11d2,0x8e39,0x00,0xa0,0xc9,0x69,0x72,
0x3b}
```

### Related Definitions

```
typedef struct {
    UINT64                Size;
    BOOLEAN               ReadOnly;
    UINT64                VolumeSize;
    UINT64                FreeSpace;
    UINT32                BlockSize;
    CHAR16                VolumeLabel[];
} EFI_FILE_SYSTEM_INFO;
```

### Parameters

<i>Size</i>	Size of the <b>EFI_FILE_SYSTEM_INFO</b> structure, including the Null-terminated Unicode <i>VolumeLabel</i> string.
<i>ReadOnly</i>	<b>TRUE</b> if the volume only supports read access.
<i>VolumeSize</i>	The number of bytes managed by the file system.
<i>FreeSpace</i>	The number of available bytes for use by the file system.
<i>BlockSize</i>	The nominal block size by which files are typically grown.
<i>VolumeLabel</i>	The Null-terminated string that is the volume's label.

### Description

The **EFI\_FILE\_SYSTEM\_INFO** data structure is an information structure that can be obtained on the root directory file handle. The root directory file handle is the file handle first obtained on the initial call to the [HandleProtocol\(\)](#) function to open the file system interface. All of the fields are read-only except for *VolumeLabel*. The system volume's *VolumeLabel* can be created or modified by calling [EFI\\_FILE\\_PROTOCOL.SetInfo\(\)](#) with an updated *VolumeLabel* field.



## EFI\_FILE\_SYSTEM\_VOLUME\_LABEL

### Summary

Provides a GUID and a data structure that can be used with `EFI_FILE_PROTOCOL.GetInfo()` or `EFI_FILE_PROTOCOL.SetInfo()` to get or set information about the system's volume label.

### GUID

```
#define EFI_FILE_SYSTEM_VOLUME_LABEL_ID \  
{0xDB47D7D3,0xFE81,0x11d3,0x9A35,0x00,0x90,0x27,0x3F,0xC1,\  
0x4D}
```

### Related Definitions

```
typedef struct {  
    CHAR16                               VolumeLabel[];  
} EFI_FILE_SYSTEM_VOLUME_LABEL;
```

### Parameters

*VolumeLabel*            The Null-terminated string that is the volume's label.

### Description

The `EFI_FILE_SYSTEM_VOLUME_LABEL` data structure is an information structure that can be obtained on the root directory file handle. The root directory file handle is the file handle first obtained on the initial call to the `HandleProtocol()` function to open the file system interface. The system volume's *VolumeLabel* can be created or modified by calling `EFI_FILE_PROTOCOL.SetInfo()` with an updated *VolumeLabel* field.

## 12.5 Tape Boot Support

### 12.5.1 Tape I/O Support

This section defines the Tape I/O Protocol and standard tape header format. These enable the support of booting from tape on UEFI systems.. This protocol is used to abstract the tape drive operations to support applications written to this specification.

Mission-critical server systems provide reliability and availability. Traditional RISC servers have long supported native tape boot to perform system recovery tasks. Industry standard servers have not traditionally provided native tape boot support. Some workarounds have been provided, e.g., One-button Disaster Recovery (which makes a tape drive appear as a CD device after a special start-up sequence; Dual Media support where one boots from CD but recovers from tape; Hard Drive used for back-up; DVD±RW for backup.

These alternatives have not satisfied customers. They want to migrate native tape boot support to industry standard servers because most of them do not staff the technical expertise to perform the

human intervention involved, or, they do not perceive the media as reliable or having enough capacity.

As a result, high-profile customers base their purchases on the promise of the native tape boot support.

After considering the existing Disk IO Protocol, GPT Disk and File System IO Protocol supporting the hard disk boot, it was decided that the best approach to support the tape boot is to define a new Tape IO protocol and a standard tape header format to enable tape-based OS bootloaders to be run using the EFI Load File Protocol.

## **12.5.2 Tape I/O Protocol**

This section defines the Tape I/O Protocol and its functions. This protocol is used to abstract the tape drive operations to support applications written to this specification.

## EFI\_TAPE\_IO\_PROTOCOL

### Summary

The EFI\_TAPE\_IO protocol provides services to control and access a tape device.

### GUID

```
#define EFI_TAPE_IO_PROTOCOL_GUID \
    {0x1e93e633, 0xd65a, 0x459e, 0xab, 0x84, 0x93, 0xd9, 0xec, 0x26, \
     0x6d, 0x18}
```

### Protocol Interface Structure

```
typedef struct _EFI_TAPE_IO_PROTOCOL {
    EFI_TAPE_READ           TapeRead;
    EFI_TAPE_WRITE         TapeWrite;
    EFI_TAPE_REWIND        TapeRewind;
    EFI_TAPE_SPACE         TapeSpace;
    EFI_TAPE_WRITEFM       TapeWriteFM;
    EFI_TAPE_RESET         TapeReset;
} EFI_TAPE_IO_PROTOCOL;
```

### Parameters

<i>TapeRead</i>	Read a block of data from the tape. See the <i>TapeRead</i> description.
<i>TapeWrite</i>	Write a block of data to the tape. See the <i>TapeWrite</i> description.
<i>TapeRewind</i>	Rewind the tape. See the <i>TapeRewind</i> description.
<i>TapeSpace</i>	Position the tape. See the <i>TapeSpace</i> description.
<i>TapeWriteFM</i>	Write filemarks to the tape. See the <i>TapeWriteFM</i> description.
<i>TapeReset</i>	Reset the tape device or its parent bus. See the <i>TapeReset</i> description.

### Description

The **EFI\_TAPE\_IO\_PROTOCOL** provides basic sequential operations for tape devices. These include read, write, rewind, space, write filemarks and reset functions. Per this specification, a boot application uses the services of this protocol to load the bootloader image from tape.

No provision is made for controlling or determining media density or compression settings. The protocol relies on devices to behave normally and select settings appropriate for the media loaded. No support is included for tape partition support, setmarks or other tapemarks such as End of Data. Boot tapes are expected to use normal variable or fixed block size formatting and filemarks.

## EFI\_TAPE\_IO\_PROTOCOL.TapeRead()

### Summary

Reads from the tape.

### Prototype

```
Typedef EFI_STATUS
(EFIAPI *EFI_TAPE_READ) (
    IN EFI_TAPE_IO_PROTOCOL      *This,
    IN OUT UINTN                 *BufferSize,
    OUT VOID                     *Buffer
);
```

### Parameters

*This* A pointer to the **EFI\_TAPE\_IO\_PROTOCOL** instance.

*BufferSize* Size of the buffer in bytes pointed to by *Buffer*.

*Buffer* Pointer to the buffer for data to be read into.

### Description

This function will read up to *BufferSize* bytes from media into the buffer pointed to by *Buffer* using a timeout of 60 seconds. *BufferSize* will be updated with the number of bytes transferred.

Each read operation for a device that operates in variable block size mode reads one media data block. Unread bytes which do not fit in the buffer will be skipped by the next read operation. The number of bytes transferred will be limited by the actual media block size. Best practice is for the buffer size to match the media data block size. When a filemark is encountered in variable block size mode the read operation will indicate that 0 bytes were transferred and the function will return an **EFI\_END\_OF\_FILE** error condition.

In fixed block mode the buffer is expected to be a multiple of the data block size. Each read operation for a device that operates in fixed block size mode may read multiple media data blocks. The number of bytes transferred will be limited to an integral number of complete media data blocks. *BufferSize* should be evenly divisible by the device's fixed block size. When a filemark is encountered in fixed block size mode the read operation will indicate that the number of bytes transferred is less than the number of blocks that would fit in the provided buffer (possibly 0 bytes transferred) and the function will return an **EFI\_END\_OF\_FILE** error condition.

Two consecutive filemarks are normally used to indicate the end of the last file on the media.

The value specified for *BufferSize* should correspond to the actual block size used on the media. If necessary, the value for *BufferSize* may be larger than the actual media block size.

Specifying a *BufferSize* of 0 is valid but requests the function to provide read-related status information instead of actual media data transfer. No data will be attempted to be read from the device however this operation is classified as an access for status handling. The status code returned

may be used to determine if a filemark has been encountered by the last read request with a non-zero size, and to determine if media is loaded and the device is ready for reading. A **NULL** value for *Buffer* is valid when *BufferSize* is zero.

## Status Codes Returned

EFI_SUCCESS	Data was successfully transferred from the media.
EFI_END_OF_FILE	A filemark was encountered which limited the data transferred by the read operation or the head is positioned just after a filemark.
EFI_NO_MEDIA	No media is loaded in the device.
EFI_MEDIA_CHANGED	The media in the device was changed since the last access. The transfer was aborted since the current position of the media may be incorrect.
EFI_DEVICE_ERROR	A device error occurred while attempting to transfer data from the media.
EFI_INVALID_PARAMETER	A <b>NULL</b> <i>Buffer</i> was specified with a non-zero <i>BufferSize</i> or the device is operating in fixed block size mode and the <i>BufferSize</i> was not a multiple of device's fixed block size
EFI_NOT_READY	The transfer failed since the device was not ready (e.g. not online). The transfer may be retried at a later time.
EFI_UNSUPPORTED	The device does not support this type of transfer.
EFI_TIMEOUT	The transfer failed to complete within the timeout specified.

## EFI\_TAPE\_IO\_PROTOCOL.TapeWrite()

### Summary

Write to the tape.

### Prototype

```
Typedef EFI_STATUS
(EFI_API *EFI_TAPE_WRITE) (
    IN EFI_TAPE_IO_PROTOCOL *This,
    IN UINTN                  *BufferSize,
    IN VOID                   *Buffer
);
```

### Parameters

*This* A pointer to the **EFI\_TAPE\_IO\_PROTOCOL** instance.

*BufferSize* Size of the buffer in bytes pointed to by *Buffer*.

*Buffer* Pointer to the buffer for data to be written from.

### Description

This function will write *BufferSize* bytes from the buffer pointed to by *Buffer* to media using a timeout of 60 seconds.

Each write operation for a device that operates in variable block size mode writes one media data block of *BufferSize* bytes.

Each write operation for a device that operates in fixed block size mode writes one or more media data blocks of the device's fixed block size. *BufferSize* must be evenly divisible by the device's fixed block size.

Although sequential devices in variable block size mode support a wide variety of block sizes, many issues may be avoided in I/O software, adapters, hardware and firmware if common block sizes are used such as: 32768, 16384, 8192, 4096, 2048, 1024, 512, and 80.

*BufferSize* will be updated with the number of bytes transferred.

When a write operation occurs beyond the logical end of media an **EFI\_END\_OF\_MEDIA** error condition will occur. Normally data will be successfully written and *BufferSize* will be updated with the number of bytes transferred. Additional write operations will continue to fail in the same manner. Excessive writing beyond the logical end of media should be avoided since the physical end of media may be reached.

Specifying a *BufferSize* of 0 is valid but requests the function to provide write-related status information instead of actual media data transfer. No data will be attempted to be written to the device however this operation is classified as an access for status handling. The status code returned may be used to determine if media is loaded, writable and if the logical end of media point has been reached. A **NULL** value for *Buffer* is valid when *BufferSize* is zero.

## Status Codes Returned

EFI_SUCCESS	Data was successfully transferred to the media.
EFI_END_OF_MEDIA	The logical end of media has been reached. Data may have been successfully transferred to the media.
EFI_NO_MEDIA	No media is loaded in the device.
EFI_MEDIA_CHANGED	The media in the device was changed since the last access. The transfer was aborted since the current position of the media may be incorrect.
EFI_WRITE_PROTECTED	The media in the device is write-protected. The transfer was aborted since a write cannot be completed.
EFI_DEVICE_ERROR	A device error occurred while attempting to transfer data from the media.
EFI_INVALID_PARAMETER	A <b>NULL</b> <i>Buffer</i> was specified with a non-zero <i>BufferSize</i> or the device is operating in fixed block size mode and <i>BufferSize</i> was not a multiple of device's fixed block size.
EFI_NOT_READY	The transfer failed since the device was not ready (e.g. not online). The transfer may be retried at a later time.
EFI_UNSUPPORTED	The device does not support this type of transfer.
EFI_TIMEOUT	The transfer failed to complete within the timeout specified.

## EFI\_TAPE\_IO\_PROTOCOL.TapeRewind()

### Summary

Rewinds the tape.

### Prototype

```
Typedef EFI_STATUS  
(EFI_API *EFI_TAPE_REWIND) (  
    IN EFI_TAPE_IO_PROTOCOL    *This,  
);
```

### Parameters

*This*                      A pointer to the **EFI\_TAPE\_IO\_PROTOCOL** instance.

### Description

This function will rewind the media using a timeout of 60 seconds. The function will check if the media was changed since the last access and reinstall the **EFI\_TAPE\_IO\_PROTOCOL** interface for the device handle if needed.

### Status Codes Returned

EFI_SUCCESS	The media was successfully repositioned.
EFI_NO_MEDIA	No media is loaded in the device.
EFI_DEVICE_ERROR	A device error occurred while attempting to reposition the media.
EFI_NOT_READY	Repositioning the media failed since the device was not ready (e.g. not online). The transfer may be retried at a later time.
EFI_UNSUPPORTED	The device does not support this type of media repositioning.
EFI_TIMEOUT	Repositioning of the media did not complete within the timeout specified.



## EFI\_TAPE\_IO\_PROTOCOL.TapeSpace()

### Summary

Positions the tape.

### Prototype

```
Typedef EFI_STATUS
(EFI_API *EFI_TAPE_SPACE) (
    IN EFI_TAPE_IO_PROTOCOL      *This,
    INTN                          Direction,
    UINTN                         Type
);
```

### Parameters

*This* A pointer to the **EFI\_TAPE\_IO\_PROTOCOL** instance.

*Direction* Direction and number of data blocks or filemarks to space over on media.

*Type* Type of mark to space over on media.

### Description

This function will position the media using a timeout of 60 seconds.

A positive *Direction* value will indicate the number of data blocks or filemarks to forward space the media. A negative *Direction* value will indicate the number of data blocks or filemarks to reverse space the media.

The following *Type* marks are mandatory:

Type of Tape Mark	MarkType
BLOCK	0
FILEMARK	1

Space operations position the media past the data block or filemark. Forward space operations leave media positioned with the tape device head after the data block or filemark. Reverse space operations leave the media positioned with the tape device head before the data block or filemark.

If beginning of media is reached before a reverse space operation passes the requested number of data blocks or filemarks an **EFI\_END\_OF\_MEDIA** error condition will occur. If end of recorded data or end of physical media is reached before a forward space operation passes the requested number of data blocks or filemarks an **EFI\_END\_OF\_MEDIA** error condition will occur. An **EFI\_END\_OF\_MEDIA** error condition will not occur due to spacing over data blocks or filemarks past the logical end of media point used to indicate when write operations should be limited.

## Status Codes Returned

EFI_SUCCESS	The media was successfully repositioned.
EFI_END_OF_MEDIA	Beginning or end of media was reached before the indicated number of data blocks or filemarks were found.
EFI_NO_MEDIA	No media is loaded in the device.
EFI_MEDIA_CHANGED	The media in the device was changed since the last access. Repositioning the media was aborted since the current position of the media may be incorrect.
EFI_DEVICE_ERROR	A device error occurred while attempting to reposition the media.
EFI_NOT_READY	Repositioning the media failed since the device was not ready (e.g. not online). The transfer may be retried at a later time.
EFI_UNSUPPORTED	The device does not support this type of media repositioning.
EFI_TIMEOUT	Repositioning of the media did not complete within the timeout specified.

## EFI\_TAPE\_IO\_PROTOCOL.TapeWriteFM()

### Summary

Writes filemarks to the media.

### Prototype

```
Typedef EFI_STATUS  
(EFIAPI *EFI_TAPE_WRITEFM) (  
    IN EFI_TAPE_IO_PROTOCOL          *This,  
    IN UINTN                          Count  
);
```

### Parameters

*This*                      A pointer to the **EFI\_TAPE\_IO\_PROTOCOL** instance.  
*Count*                    Number of filemarks to write to the media.

### Description

This function will write filemarks to the tape using a timeout of 60 seconds.

Writing filemarks beyond logical end of tape does not result in an error condition unless physical end of media is reached.

### Status Codes Returned

EFI_SUCCESS	Data was successfully transferred from the media.
EFI_NO_MEDIA	No media is loaded in the device.
EFI_MEDIA_CHANGED	The media in the device was changed since the last access. The transfer was aborted since the current position of the media may be incorrect.
EFI_DEVICE_ERROR	A device error occurred while attempting to transfer data from the media.
EFI_NOT_READY	The transfer failed since the device was not ready (e.g. not online). The transfer may be retried at a later time.
EFI_UNSUPPORTED	The device does not support this type of transfer.
EFI_TIMEOUT	The transfer failed to complete within the timeout specified.

## EFI\_TAPE\_IO\_PROTOCOL.TapeReset()

### Summary

Resets the tape device.

### Prototype

```
Typedef EFI_STATUS
(EFI_API *EFI_TAPE_RESET) (
    IN EFI_TAPE_IO_PROTOCOL      *This,
    IN BOOLEAN                   ExtendedVerification
);
```

### Parameters

*This* A pointer to the **EFI\_TAPE\_IO\_PROTOCOL** instance.

*ExtendedVerification* Indicates whether the parent bus should also be reset.

### Description

This function will reset the tape device. If *ExtendedVerification* is set to true, the function will reset the parent bus (e.g., SCSI bus). The function will check if the media was changed since the last access and reinstall the **EFI\_TAPE\_IO\_PROTOCOL** interface for the device handle if needed. Note media needs to be loaded and device online for the reset, otherwise, **EFI\_DEVICE\_ERROR** is returned.

### Status Codes Returned

EFI_SUCCESS	The bus and/or device were successfully reset.
EFI_NO_MEDIA	No media is loaded in the device.
EFI_DEVICE_ERROR	A device error occurred while attempting to reset the bus and/or device.
EFI_NOT_READY	The reset failed since the device and/or bus was not ready. The reset may be retried at a later time.
EFI_UNSUPPORTED	The device does not support this type of reset.
EFI_TIMEOUT	The reset did not complete within the timeout allowed.

### 12.5.3 Tape Header Format

The boot tape will contain a Boot Tape Header to indicate it is a valid boot tape. The Boot Tape Header must be located within the first 20 blocks on the tape. The Boot Tape Header must begin on a block boundary and be contained completely within a block. The Boot Tape Header will have the following format:

**Table 80. Tape Header Formats**

Bytes (Dec)	Value	Purpose
0-7	0x544f4f4220494645	Signature ('EFI BOOT' in ASCII)
8-11	1	Revision
12-15	1024	Tape Header Size in bytes
16-19	calculated	Tape Header CRC
20-35	{ 0x8befa29a, 0x3511, 0x4cf7, { 0xa2, 0xeb, 0x5f, 0xe3, 0x7c, 0x3b, 0xf5, 0x5b } }	EFI Boot Tape GUID (same for all EFI Boot Tapes, like EFI Disk GUID)
36-51	User Defined	EFI Boot Tape Type GUID (bootloader / OS specific, like EFI Partition Type GUID)
52-67	User Defined	EFI Boot Tape Unique GUID (unique for every EFI Boot Tape)
68-71	e.g. 2	File Number of EFI Bootloader relative to the Boot Tape Header (first file immediately after the Boot Tape Header is file number 1, ANSI labels are counted)
72-75	e.g. 0x400	EFI Bootloader Block Size in bytes
76-79	e.g. 0x20000	EFI Bootloader Total Size in bytes
80-119	e.g. HPUX 11.23	OS Version (ASCII)
120-159	e.g. Ignite-UX C.6.2.241	Application Version (ASCII)
160-169	e.g. 1993-02-28	EFI Boot Tape creation date (UTC) (yyyy-mm-dd ASCII)
170-179	e.g. 13:24:55	EFI Boot Tape creation time (UTC) (hh:mm:ss in ASCII)
180-435	e.g. testsys1 (alt e.g. testsys1.xyzcorp.com)	Computer System Name (UTF-8, ref: RFC 2044)
436-555	e.g. Primary Disaster Recovery	Boot Tape Title / Comment (UTF-8, ref: RFC 2044)
556-1023	reserved	

All numeric values will be specified in binary format. Note that all values are specified in Little Endian byte ordering.

The Boot Tape Header can also be represented as the following data structure:

```
struct tape_header {
    UINT64    Signature;
    UINT32    Revision;
    UINT32    BootDescSize;
    UINT32    BootDescCRC;
    EFI_GUID  TapeGUID;
    EFI_GUID  TapeType;
    EFI_GUID  TapeUnique;
    UINT32    BLLocation;
    UINT32    BLBlocksize;
    UINT32    BLFilesize;
    CHAR8     OSVersion[40];
    CHAR8     AppVersion[40];
    CHAR8     CreationDate[10];
    CHAR8     CreationTime[10];
    CHAR8     SystemName[256];    // UTF-8
    CHAR8     TapeTitle[120];    // UTF-8
    CHAR8     pad[468];          // pad to 1024
};
```

## 12.6 Disk I/O Protocol

This section defines the Disk I/O protocol. This protocol is used to abstract the block accesses of the Block I/O protocol to a more general offset-length protocol. The firmware is responsible for adding this protocol to any Block I/O interface that appears in the system that does not already have a Disk I/O protocol. File systems and other disk access code utilize the Disk I/O protocol.

### EFI\_DISK\_IO\_PROTOCOL

#### Summary

This protocol is used to abstract Block I/O interfaces.

## GUID

```
#define EFI_DISK_IO_PROTOCOL_GUID \
    {0xCE345171, 0xBA0B, 0x11d2, 0x8e4F, 0x00, 0xa0, 0xc9, 0x69, 0x72, 0x3b}
```

## Revision Number

```
#define EFI_DISK_IO_PROTOCOL_REVISION 0x00010000
```

## Protocol Interface Structure

```
typedef struct _EFI_DISK_IO_PROTOCOL {
    UINT64                Revision;
    EFI_DISK_READ         ReadDisk;
    EFI_DISK_WRITE        WriteDisk;
} EFI_DISK_IO_PROTOCOL;
```

## Parameters

<i>Revision</i>	The revision to which the disk I/O interface adheres. All future revisions must be backwards compatible. If a future version is not backwards compatible, it is not the same GUID.
<i>ReadDisk</i>	Reads data from the disk. See the <a href="#"><u>ReadDisk()</u></a> function description.
<i>WriteDisk</i>	Writes data to the disk. See the <a href="#"><u>WriteDisk()</u></a> function description.

## Description

The **EFI\_DISK\_IO\_PROTOCOL** is used to control block I/O interfaces.

The disk I/O functions allow I/O operations that need not be on the underlying device's block boundaries or alignment requirements. This is done by copying the data to/from internal buffers as needed to provide the proper requests to the block I/O device. Outstanding write buffer data is flushed by using the **Flush()** function of the **EFI\_BLOCK\_IO\_PROTOCOL** on the device handle.

The firmware automatically adds an **EFI\_DISK\_IO\_PROTOCOL** interface to any **EFI\_BLOCK\_IO\_PROTOCOL** interface that is produced. It also adds file system, or logical block I/O, interfaces to any **EFI\_DISK\_IO\_PROTOCOL** interface that contains any recognized file system or logical block I/O devices. The firmware must automatically support the following required formats:

- The EFI FAT12, FAT16, and FAT32 file system type.
- The legacy master boot record partition block. (The presence of this on any block I/O device is optional, but if it is present the firmware is responsible for allocating a logical device for each partition).
- The extended partition record partition block.
- The El Torito logical block devices.



## EFI\_DISK\_IO\_PROTOCOL.ReadDisk()

### Summary

Reads a specified number of bytes from a device.

### Prototype

```
typedef
EFI_STATUS
(EFIAPI *EFI_DISK_READ) (
    IN EFI_DISK_IO_PROTOCOL    *This,
    IN UINT32                  MediaId,
    IN UINT64                  Offset,
    IN UINTN                   BufferSize,
    OUT VOID                   *Buffer
);
```

### Parameters

<i>This</i>	Indicates a pointer to the calling context. Type <b>EFI_DISK_IO_PROTOCOL</b> is defined in the <b>EFI_DISK_IO_PROTOCOL</b> description.
<i>MediaId</i>	ID of the medium to be read.
<i>Offset</i>	The starting byte offset on the logical block I/O device to read from.
<i>BufferSize</i>	The size in bytes of <i>Buffer</i> . The number of bytes to read from the device.
<i>Buffer</i>	A pointer to the destination buffer for the data. The caller is responsible for either having implicit or explicit ownership of the buffer.

### Description

The **ReadDisk()** function reads the number of bytes specified by *BufferSize* from the device. All the bytes are read, or an error is returned. If there is no medium in the device, the function returns **EFI\_NO\_MEDIA**. If the *MediaId* is not the ID of the medium currently in the device, the function returns **EFI\_MEDIA\_CHANGED**.

### Status Codes Returned

EFI_SUCCESS	The data was read correctly from the device.
EFI_DEVICE_ERROR	The device reported an error while performing the read operation.
EFI_NO_MEDIA	There is no medium in the device.
EFI_MEDIA_CHANGED	The <i>MediaId</i> is not for the current medium.
EFI_INVALID_PARAMETER	The read request contains device addresses that are not valid for the device.

## EFI\_DISK\_IO\_PROTOCOL.WriteDisk()

### Summary

Writes a specified number of bytes to a device.

### Prototype

```
typedef
EFI_STATUS
(EFIAPI *EFI_DISK_WRITE) (
    IN EFI_DISK_IO_PROTOCOL      *This,
    IN UINT32                     MediaId,
    IN UINT64                     Offset,
    IN UINTN                      BufferSize,
    IN VOID                       *Buffer
);
```

### Parameters

<i>This</i>	Indicates a pointer to the calling context. Type <b>EFI_DISK_IO_PROTOCOL</b> is defined in the <b>EFI_DISK_IO_PROTOCOL</b> protocol description.
<i>MediaId</i>	ID of the medium to be written.
<i>Offset</i>	The starting byte offset on the logical block I/O device to write.
<i>BufferSize</i>	The size in bytes of <i>Buffer</i> . The number of bytes to write to the device.
<i>Buffer</i>	A pointer to the buffer containing the data to be written.

### Description

The **WriteDisk()** function writes the number of bytes specified by *BufferSize* to the device. All bytes are written, or an error is returned. If there is no medium in the device, the function returns **EFI\_NO\_MEDIA**. If the *MediaId* is not the ID of the medium currently in the device, the function returns **EFI\_MEDIA\_CHANGED**.

### Status Codes Returned

EFI_SUCCESS	The data was written correctly to the device.
EFI_WRITE_PROTECTED	The device cannot be written to.
EFI_NO_MEDIA	There is no medium in the device.
EFI_MEDIA_CHANGED	The <i>MediaId</i> is not for the current medium.
EFI_DEVICE_ERROR	The device reported an error while performing the write operation.
EFI_INVALID_PARAMETER	The write request contains device addresses that are not valid for the device.

## 12.7 Block I/O Protocol

This chapter defines the Block I/O protocol. This protocol is used to abstract mass storage devices to allow code running in the EFI boot services environment to access them without specific knowledge of the type of device or controller that manages the device. Functions are defined to read and write data at a block level from mass storage devices as well as to manage such devices in the EFI boot services environment.

### EFI\_BLOCK\_IO\_PROTOCOL

#### Summary

This protocol provides control over block devices.

#### GUID

```
#define EFI_BLOCK_IO_PROTOCOL_GUID \
    {0x964e5b21, 0x6459, 0x11d2, 0x8e39, 0x00, 0xa0, 0xc9, 0x69, 0x72, \
    0x3b}
```

#### Revision Number

```
#define EFI_BLOCK_IO_PROTOCOL_REVISION    0x00010000
```

#### Protocol Interface Structure

```
typedef struct _EFI_BLOCK_IO_PROTOCOL {
    UINT64                Revision;

    EFI_BLOCK_IO_MEDIA    *Media;

    EFI_BLOCK_RESET       Reset;
    EFI_BLOCK_READ        ReadBlocks;
    EFI_BLOCK_WRITE       WriteBlocks;
    EFI_BLOCK_FLUSH       FlushBlocks;
} EFI_BLOCK_IO_PROTOCOL;
```

#### Parameters

<i>Revision</i>	The revision to which the block IO interface adheres. All future revisions must be backwards compatible. If a future version is not backwards compatible it is not the same GUID.
<i>Media</i>	A pointer to the <b>EFI_BLOCK_IO_MEDIA</b> data for this device. Type <b>EFI_BLOCK_IO_MEDIA</b> is defined in “Related Definitions” below.
<i>Reset</i>	Resets the block device hardware. See the <b><u>Reset()</u></b> function description.
<i>ReadBlocks</i>	Reads the requested number of blocks from the device. See the <b><u>ReadBlocks()</u></b> function description.

<i>WriteBlocks</i>	Writes the requested number of blocks to the device. See the <a href="#"><u>WriteBlocks ()</u></a> function description.
<i>FlushBlocks</i>	Flushes and cache blocks. This function is optional and only needs to be supported on block devices that cache writes. See the <a href="#"><u>FlushBlocks ()</u></a> function description.

## Related Definitions

```

//*****
// EFI_BLOCK_IO_MEDIA
//*****

typedef struct {
    UINT32          MediaId;
    BOOLEAN        RemovableMedia;
    BOOLEAN        MediaPresent;

    BOOLEAN        LogicalPartition;
    BOOLEAN        ReadOnly;
    BOOLEAN        WriteCaching;

    UINT32          BlockSize;
    UINT32          IoAlign;

    EFI_LBA        LastBlock;
} EFI_BLOCK_IO_MEDIA;

//*****
// EFI_LBA
//*****

typedef UINT64          EFI_LBA;

```

The following data values in **EFI\_BLOCK\_IO\_MEDIA** are read-only and are updated by the code that produces the **EFI\_BLOCK\_IO\_PROTOCOL** functions:

<i>MediaId</i>	The current media ID. If the media changes, this value is changed.
<i>RemovableMedia</i>	<b>TRUE</b> if the media is removable; otherwise, <b>FALSE</b> .
<i>MediaPresent</i>	<b>TRUE</b> if there is a media currently present in the device; otherwise, <b>FALSE</b> . This field shows the media present status as of the most recent <a href="#"><u>ReadBlocks ()</u></a> or <a href="#"><u>WriteBlocks ()</u></a> call.
<i>LogicalPartition</i>	<b>TRUE</b> if the <b>EFI_BLOCK_IO_PROTOCOL</b> was produced to abstract partition structures on the disk. <b>FALSE</b> if the <b>BLOCK_IO</b> protocol was produced to abstract the logical blocks on a hardware device.

<i>ReadOnly</i>	<b>TRUE</b> if the media is marked read-only otherwise, <b>FALSE</b> . This field shows the read-only status as of the most recent <u><b>WriteBlocks ()</b></u> call.
<i>WriteCaching</i>	<b>TRUE</b> if the <b>WriteBlocks ()</b> function caches write data.
<i>BlockSize</i>	The intrinsic block size of the device. If the media changes, then this field is updated.
<i>IoAlign</i>	Supplies the alignment requirement for any buffer used in a data transfer. <i>IoAlign</i> values of 0 and 1 mean that the buffer can be placed anywhere in memory. Otherwise, <i>IoAlign</i> must be a power of 2, and the requirement is that the start address of a buffer must be evenly divisible by <i>IoAlign</i> with no remainder.
<i>LastBlock</i>	The last logical block address on the device. If the media changes, then this field is updated.

## Description

The *LogicalPartition* is **TRUE** if the device handle is for a partition. For media that have only one partition, the value will always be **TRUE**. For media that have multiple partitions, this value is **FALSE** for the handle that accesses the entire device. The firmware is responsible for adding device handles for each partition on such media.

The firmware is responsible for adding an **EFI DISK IO PROTOCOL** interface to every **EFI BLOCK IO PROTOCOL** interface in the system. The **EFI\_DISK\_IO\_PROTOCOL** interface allows byte-level access to devices.

## EFI\_BLOCK\_IO\_PROTOCOL.Reset()

### Summary

Resets the block device hardware.

### Prototype

```
typedef
EFI_STATUS
(EFIAPI *EFI_BLOCK_RESET) (
    IN EFI_BLOCK_IO_PROTOCOL    *This,
    IN BOOLEAN                  ExtendedVerification
);
```

### Parameters

*This* Indicates a pointer to the calling context. Type **EFI\_BLOCK\_IO\_PROTOCOL** is defined in the **EFI\_BLOCK\_IO\_PROTOCOL** description.

*ExtendedVerification* Indicates that the driver may perform a more exhaustive verification operation of the device during reset.

### Description

The **Reset()** function resets the block device hardware.

As part of the initialization process, the firmware/device will make a quick but reasonable attempt to verify that the device is functioning. If the *ExtendedVerification* flag is **TRUE** the firmware may take an extended amount of time to verify the device is operating on reset. Otherwise the reset operation is to occur as quickly as possible.

The hardware verification process is not defined by this specification and is left up to the platform firmware or driver to implement.

### Status Codes Returned

EFI_SUCCESS	The block device was reset.
EFI_DEVICE_ERROR	The block device is not functioning correctly and could not be reset.

## EFI\_BLOCK\_IO\_PROTOCOL.ReadBlocks()

### Summary

Reads the requested number of blocks from the device.

### Prototype

```
typedef
EFI_STATUS
(EFIAPI *EFI_BLOCK_READ) (
    IN EFI_BLOCK_IO_PROTOCOL    *This,
    IN UINT32                    MediaId,
    IN EFI_LBA                   LBA,
    IN UINTN                     BufferSize,
    OUT VOID                     *Buffer
);
```

### Parameters

<i>This</i>	Indicates a pointer to the calling context. Type <b>EFI_BLOCK_IO_PROTOCOL</b> is defined in the <b>EFI_BLOCK_IO_PROTOCOL</b> description.
<i>MediaId</i>	The media ID that the read request is for.
<i>LBA</i>	The starting logical block address to read from on the device. Type <b>EFI_LBA</b> is defined in the <b>EFI_BLOCK_IO_PROTOCOL</b> description.
<i>BufferSize</i>	The size of the <i>Buffer</i> in bytes. This must be a multiple of the intrinsic block size of the device.
<i>Buffer</i>	A pointer to the destination buffer for the data. The caller is responsible for either having implicit or explicit ownership of the buffer.

### Description

The **ReadBlocks ()** function reads the requested number of blocks from the device. All the blocks are read, or an error is returned.

If there is no media in the device, the function returns **EFI\_NO\_MEDIA**. If the *MediaId* is not the ID for the current media in the device, the function returns **EFI\_MEDIA\_CHANGED**.

## Status Codes Returned

EFI_SUCCESS	The data was read correctly from the device.
EFI_DEVICE_ERROR	The device reported an error while attempting to perform the read operation.
EFI_NO_MEDIA	There is no media in the device.
EFI_MEDIA_CHANGED	The <i>MediaId</i> is not for the current media.
EFI_BAD_BUFFER_SIZE	The <i>BufferSize</i> parameter is not a multiple of the intrinsic block size of the device.
EFI_INVALID_PARAMETER	The read request contains LBAs that are not valid, or the buffer is not on proper alignment.



## EFI\_BLOCK\_IO\_PROTOCOL.WriteBlocks()

### Summary

Writes a specified number of blocks to the device.

### Prototype

```
typedef
EFI_STATUS
(EFIAPI *EFI_BLOCK_WRITE) (
    IN EFI_BLOCK_IO_PROTOCOL    *This,
    IN UINT32                    MediaId,
    IN EFI_LBA                   LBA,
    IN UINTN                     BufferSize,
    IN VOID                      *Buffer
);
```

### Parameters

<i>This</i>	Indicates a pointer to the calling context. Type is defined in the <a href="#">EFI_BLOCK_IO_PROTOCOL</a> description.
<i>MediaId</i>	The media ID that the write request is for.
<i>LBA</i>	The starting logical block address to be written. The caller is responsible for writing to only legitimate locations. Type <a href="#">EFI_LBA</a> is defined in the <a href="#">EFI_BLOCK_IO_PROTOCOL</a> description.
<i>BufferSize</i>	The size in bytes of <i>Buffer</i> . This must be a multiple of the intrinsic block size of the device.
<i>Buffer</i>	A pointer to the source buffer for the data.

### Description

The **WriteBlocks()** function writes the requested number of blocks to the device. All blocks are written, or an error is returned.

If there is no media in the device, the function returns **EFI\_NO\_MEDIA**. If the *MediaId* is not the ID for the current media in the device, the function returns **EFI\_MEDIA\_CHANGED**.

## Status Codes Returned

EFI_SUCCESS	The data were written correctly to the device.
EFI_WRITE_PROTECTED	The device cannot be written to.
EFI_NO_MEDIA	There is no media in the device.
EFI_MEDIA_CHANGED	The <i>MediaId</i> is not for the current media.
EFI_DEVICE_ERROR	The device reported an error while attempting to perform the write operation.
EFI_BAD_BUFFER_SIZE	The <i>BufferSize</i> parameter is not a multiple of the intrinsic block size of the device.
EFI_INVALID_PARAMETER	The write request contains LBAs that are not valid, or the buffer is not on proper alignment.

## EFI\_BLOCK\_IO\_PROTOCOL.FlushBlocks()

### Summary

Flushes all modified data to a physical block device.

### Prototype

```
typedef
EFI_STATUS
(EFIAPI *EFI_BLOCK_FLUSH) (
    IN EFI_BLOCK_IO_PROTOCOL          *This
);
```

### Parameters

*This* Indicates a pointer to the calling context. Type **EFI\_BLOCK\_IO\_PROTOCOL** is defined in the **EFI\_BLOCK\_IO\_PROTOCOL** protocol description.

### Description

The **FlushBlocks()** function flushes all modified data to the physical block device.

All data written to the device prior to the flush must be physically written before returning **EFI\_SUCCESS** from this function. This would include any cached data the driver may have cached, and cached data the device may have cached. A flush may cause a read request following the flush to force a device access.

### Status Codes Returned

EFI_SUCCESS	All outstanding data were written correctly to the device.
EFI_DEVICE_ERROR	The device reported an error while attempting to write data.
EFI_NO_MEDIA	There is no media in the device.

## 12.8 Unicode Collation Protocol

This section defines the Unicode Collation protocol. This protocol is used to allow code running in the boot services environment to perform lexical comparison functions on Unicode strings for given languages.

### EFI\_UNICODE\_COLLATION\_PROTOCOL

#### Summary

Is used to perform case-insensitive comparisons of Unicode strings.

#### GUID

```
#define EFI_UNICODE_COLLATION_PROTOCOL_GUID \
    {0x1d85cd7f,0xf43d,0x11d2,0x9a0c,0x00,0x90,0x27,0x3f,0xc1,0x4d}
```

#### Protocol Interface Structure

```
typedef struct {
    EFI_UNICODE_COLLATION_STRICOLL           StriColl;
    EFI_UNICODE_COLLATION_METAIMATCH        MetaiMatch;
    EFI_UNICODE_COLLATION_STRLWR            StrLwr;
    EFI_UNICODE_COLLATION_STRUPR           StrUpr;
    EFI_UNICODE_COLLATION_FATTOSTR         FatToStr;
    EFI_UNICODE_COLLATION_STRTOFAT        StrToFat;
    CHAR8                                    *SupportedLanguages;
} EFI_UNICODE_COLLATION_PROTOCOL;
```

#### Parameters

<i>StriColl</i>	Performs a case-insensitive comparison of two Null-terminated Unicode strings. See the <a href="#">StriColl()</a> function description.
<i>MetaiMatch</i>	Performs a case-insensitive comparison between a Null-terminated Unicode pattern string and a Null-terminated Unicode string. The pattern string can use the ‘?’ wildcard to match any character, and the ‘*’ wildcard to match any substring. See the <a href="#">MetaiMatch()</a> function description.
<i>StrLwr</i>	Converts all the Unicode characters in a Null-terminated Unicode string to lowercase Unicode characters. See the <a href="#">StrLwr()</a> function description.
<i>StrUpr</i>	Converts all the Unicode characters in a Null-terminated Unicode string to uppercase Unicode characters. See the <a href="#">StrUpr()</a> function description.

<i>FatToStr</i>	Converts an 8.3 FAT file name using an OEM character set to a Null-terminated Unicode string. See the <a href="#"><u>FatToStr()</u></a> function description.
<i>StrToFat</i>	Converts a Null-terminated Unicode string to legal characters in a FAT filename using an OEM character set. See the <a href="#"><u>StrToFat()</u></a> function description.
<i>SupportedLanguages</i>	A Null-terminated ASCII string array that contains one or more language codes. This array is specified in RFC 3066 format. See Appendix M for the format of language codes and language code arrays.

## Description

The **EFI\_UNICODE\_COLLATION\_PROTOCOL** is used to perform case-insensitive comparisons of Unicode strings.

One or more of the **EFI\_UNICODE\_COLLATION\_PROTOCOL** instances may be present at one time. Each protocol instance can support one or more language codes. The language codes that are supported in the **EFI\_UNICODE\_COLLATION\_PROTOCOL** is declared in *SupportedLanguages*.

The *SupportedLanguages* is a Null-terminated ASCII string array that contains one or more supported language codes. This is the list of language codes that this protocol supports. See Appendix M for the format of language codes and language code arrays.

The main motivation for this protocol is to help support file names in a file system driver. When a file is opened, a file name needs to be compared to the file names on the disk. In some cases, this comparison needs to be performed in a case-insensitive manner. In addition, this protocol can be used to sort files from a directory or to perform a case-insensitive file search.

## EFI\_UNICODE\_COLLATION\_PROTOCOL.StriColl()

### Summary

Performs a case-insensitive comparison of two Null-terminated Unicode strings.

### Prototype

```
typedef
INTN
(EFIAPI *EFI_UNICODE_COLLATION_STRICOLL) (
    IN EFI_UNICODE_COLLATION_PROTOCOL    *This,
    IN CHAR16                            *s1,
    IN CHAR16                            *s2
);
```

### Parameters

<i>This</i>	A pointer to the <b>EFI_UNICODE_COLLATION_PROTOCOL</b> instance. Type <b>EFI_UNICODE_COLLATION_PROTOCOL</b> is defined in Section 12.8.
<i>s1</i>	A pointer to a Null-terminated Unicode string.
<i>s2</i>	A pointer to a Null-terminated Unicode string.

### Description

The **StriColl()** function performs a case-insensitive comparison of two Null-terminated Unicode strings.

This function performs a case-insensitive comparison between the Unicode string *s1* and the Unicode string *s2* using the rules for the language codes that this protocol instance supports. If *s1* is equivalent to *s2*, then 0 is returned. If *s1* is lexically less than *s2*, then a negative number will be returned. If *s1* is lexically greater than *s2*, then a positive number will be returned. This function allows Unicode strings to be compared and sorted.

### Status Codes Returned

0	s1 is equivalent to s2.
> 0	s1 is lexically greater than s2.
< 0	s1 is lexically less than s2.

## EFI\_UNICODE\_COLLATION\_PROTOCOL.MetaiMatch()

### Summary

Performs a case-insensitive comparison of a Null-terminated Unicode pattern string and a Null-terminated Unicode string.

### Prototype

```
typedef
BOOLEAN
(EFIAPI *EFI_UNICODE_COLLATION_METAIMATCH) (
    IN EFI_UNICODE_COLLATION_PROTOCOL    *This,
    IN CHAR16                            *String,
    IN CHAR16                            *Pattern
);
```

### Parameters

<i>This</i>	A pointer to the <b>EFI_UNICODE_COLLATION_PROTOCOL</b> instance. Type <b>EFI_UNICODE_COLLATION_PROTOCOL</b> is defined in Section 12.8.
<i>String</i>	A pointer to a Null-terminated Unicode string.
<i>Pattern</i>	A pointer to a Null-terminated Unicode pattern string.

### Description

The **MetaiMatch()** function performs a case-insensitive comparison of a Null-terminated Unicode pattern string and a Null-terminated Unicode string.

This function checks to see if the pattern of characters described by *Pattern* are found in *String*. The pattern check is a case-insensitive comparison using the rules for the language codes that this protocol instance supports. If the pattern match succeeds, then **TRUE** is returned. Otherwise **FALSE** is returned. The following syntax can be used to build the string *Pattern*:

*	Match 0 or more characters.
?	Match any one character.
[<char1><char2>...<charN>]	Match any character in the set.
[<char1>-<char2>]	Match any character between <char1> and <char2>.
<char>	Match the character <char>.

Following is an example pattern for English:

**\*.FW**

Matches all strings that end in “.FW” or “.fw” or “.Fw” or “.fW.”

**[a-z]**

Match any letter in the alphabet.

**[!@#\$\$%^&\* ()]**

Match any one of these symbols.

**z**

Match the character “z” or “Z.”

**D?.\***

Match the character “D” or “d” followed by any character followed by a “.” followed by any string.

### Status Codes Returned

TRUE	Pattern was found in <i>String</i> .
FALSE	Pattern was not found in <i>String</i> .



## EFI\_UNICODE\_COLLATION\_PROTOCOL.StrLwr()

### Summary

Converts all the Unicode characters in a Null-terminated Unicode string to lowercase Unicode characters.

### Prototype

```
typedef
VOID
(EFIAPI *EFI_UNICODE_COLLATION_STRLWR) (
    IN EFI_UNICODE_COLLATION_PROTOCOL    *This,
    IN OUT CHAR16                        *String
);
```

### Parameters

*This* A pointer to the **EFI\_UNICODE\_COLLATION\_PROTOCOL** instance. Type **EFI\_UNICODE\_COLLATION\_PROTOCOL** is defined in Section 12.8.

*String* A pointer to a Null-terminated Unicode string.

### Description

This functions walks through all the Unicode characters in *String*, and converts each one to its lowercase equivalent if it has one. The converted string is returned in *String*.

## EFI\_UNICODE\_COLLATION\_PROTOCOL.StrUpr()

### Summary

Converts all the Unicode characters in a Null-terminated Unicode string to uppercase Unicode characters.

### Prototype

```
typedef
VOID
(EFIAPI *EFI_UNICODE_COLLATION_STRUPR) (
    IN EFI_UNICODE_COLLATION_PROTOCOL    *This,
    IN OUT CHAR16                        *String
);
```

### Parameters

*This* A pointer to the **EFI\_UNICODE\_COLLATION\_PROTOCOL** instance. Type **EFI\_UNICODE\_COLLATION\_PROTOCOL** is defined in Section 12.8.

*String* A pointer to a Null-terminated Unicode string.

### Description

This functions walks through all the Unicode characters in *String*, and converts each one to its uppercase equivalent if it has one. The converted string is returned in *String*.

## EFI\_UNICODE\_COLLATION\_PROTOCOL.FatToStr()

### Summary

Converts an 8.3 FAT file name in an OEM character set to a Null-terminated Unicode string.

### Prototype

```
typedef
VOID
(EFIAPI *EFI_UNICODE_COLLATION_FATTOSTR) (
    IN EFI_UNICODE_COLLATION_PROTOCOL    *This,
    IN UINTN                             FatSize,
    IN CHAR8                              *Fat,
    OUT CHAR16                            *String
);
```

### Parameters

<i>This</i>	A pointer to the <b>EFI_UNICODE_COLLATION_PROTOCOL</b> instance. Type <b>EFI_UNICODE_COLLATION_PROTOCOL</b> is defined in Section 12.8.
<i>FatSize</i>	The size of the string <i>Fat</i> in bytes.
<i>Fat</i>	A pointer to a Null-terminated string that contains an 8.3 file name using an OEM character set.
<i>String</i>	A pointer to a Null-terminated Unicode string. The string must be allocated in advance to hold <i>FatSize</i> Unicode characters.

### Description

This function converts the string specified by *Fat* with length *FatSize* to the Null-terminated Unicode string specified by *String*. The characters in *Fat* are from an OEM character set.

## EFI\_UNICODE\_COLLATION\_PROTOCOL.StrToFat()

### Summary

Converts a Null-terminated Unicode string to legal characters in a FAT filename using an OEM character set.

### Prototype

```
typedef
BOOLEAN
(EFI_API *EFI_UNICODE_COLLATION_STRTOFAT) (
    IN EFI_UNICODE_COLLATION_PROTOCOL    *This,
    IN CHAR16                            *String,
    IN UINTN                              FatSize,
    OUT CHAR8                             *Fat
);
```

### Parameters

<i>This</i>	A pointer to the <b>EFI_UNICODE_COLLATION_PROTOCOL</b> instance. Type <b>EFI_UNICODE_COLLATION_PROTOCOL</b> is defined in Section 12.8.
<i>String</i>	A pointer to a Null-terminated Unicode string.
<i>FatSize</i>	The size of the string <i>Fat</i> in bytes.
<i>Fat</i>	A pointer to a string that contains the converted version of <i>String</i> using legal FAT characters from an OEM character set.

### Description

This function converts the Unicode characters from *String* into legal FAT characters in an OEM character set and stores them in the string *Fat*. This conversion continues until either *FatSize* bytes are stored in *Fat*, or the end of *String* is reached. The Unicode characters '.' (period) and ' ' (space) are ignored for this conversion. Unicode characters that map to an illegal FAT character are substituted with an '\_'. If no valid mapping from a Unicode character to an OEM character is available, then it is also substituted with an '\_'. If any of the Unicode characters conversions are substituted with a '\_', then **TRUE** is returned. Otherwise **FALSE** is returned.

### Status Codes Returned

TRUE	One or more conversions failed and were substituted with '_'.
FALSE	None of the conversions failed.

## 13.1 PCI Root Bridge I/O Support

Sections 13.1 and 13.2 describe the PCI Root Bridge I/O Protocol. This protocol provides an I/O abstraction for a PCI Root Bridge that is produced by a PCI Host Bus Controller. A PCI Host Bus Controller is a hardware component that allows access to a group of PCI devices that share a common pool of PCI I/O and PCI Memory resources. This protocol is used by a PCI Bus Driver to perform PCI Memory, PCI I/O, and PCI Configuration cycles on a PCI Bus. It also provides services to perform different types of bus mastering DMA on a PCI bus. PCI device drivers will not directly use this protocol. Instead, they will use the I/O abstraction produced by the PCI Bus Driver. Only drivers that require direct access to the entire PCI bus should use this protocol. In particular, this chapter defines functions for managing PCI buses, although other bus types may be supported in a similar fashion as extensions to this specification.

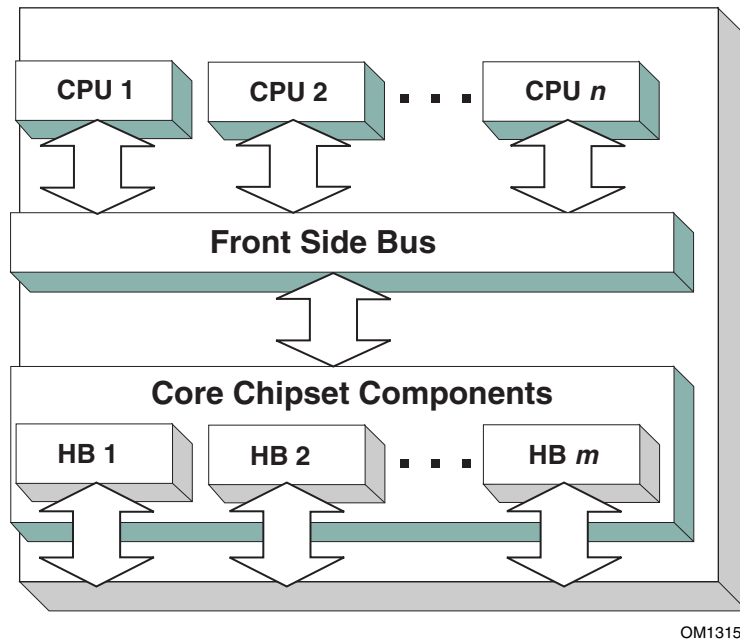
All the services described in this chapter that generate PCI transactions follow the ordering rules defined in the *PCI Specification*. If the processor is performing a combination of PCI transactions and system memory transactions, then there is no guarantee that the system memory transactions will be strongly ordered with respect to the PCI transactions. If strong ordering is required, then processor-specific mechanisms may be required to guarantee strong ordering. Some 64-bit systems may require the use of memory fences to guarantee ordering.

### 13.1.1 PCI Root Bridge I/O Overview

The interfaces provided in the **EFI\_PCI\_ROOT\_BRIDGE\_IO\_PROTOCOL** are for performing basic operations to memory, I/O, and PCI configuration space. The system provides abstracted access to basic system resources to allow a driver to have a programmatic method to access these basic system resources.

The **EFI\_PCI\_ROOT\_BRIDGE\_IO\_PROTOCOL** allows for future innovation of the platform. It abstracts device-specific code from the system memory map. This allows system designers to make changes to the system memory map without impacting platform independent code that is consuming basic system resources.

A platform can be viewed as a set of processors and a set of core chipset components that may produce one or more host buses. Figure 27 shows a platform with  $n$  processors ( $CPUs$  in the figure), and a set of core chipset components that produce  $m$  host bridges.

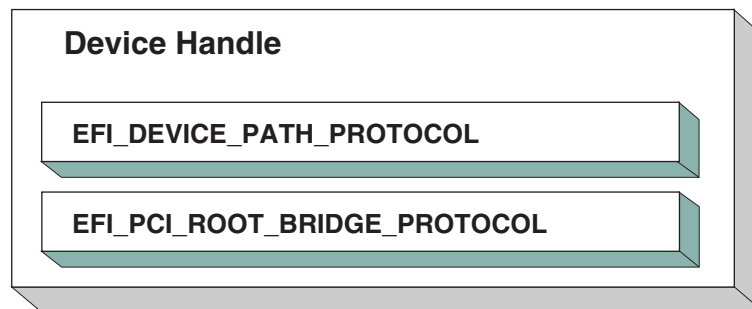


**Figure 27. Host Bus Controllers**

Simple systems with one PCI Host Bus Controller will contain a single instance of the EFI PCI ROOT BRIDGE IO PROTOCOL. More complex system may contain multiple instances of this protocol. It is important to note that there is no relationship between the number of chipset components in a platform and the number of EFI PCI ROOT BRIDGE IO PROTOCOL instances. This protocol abstracts access to a PCI Root Bridge from a software point of view, and it is attached to a device handle that represents a PCI Root Bridge. A PCI Root Bridge is a chipset component(s) that produces a physical PCI Bus. It is also the parent to a set of PCI devices that share common PCI I/O, PCI Memory, and PCI Prefetchable Memory regions. A PCI Host Bus Controller is composed of one or more PCI Root Bridges.

A PCI Host Bridge and PCI Root Bridge are different than a PCI Segment. A PCI Segment is a collection of up to 256 PCI busses that share the same PCI Configuration Space. Depending on the chipset, a single **EFI\_PCI\_ROOT\_BRIDGE\_IO\_PROTOCOL** may abstract a portion of a PCI Segment, or an entire PCI Segment. A PCI Host Bridge may produce one or more PCI Root Bridges. When a PCI Host Bridge produces multiple PCI Root Bridges, it is possible to have more than one PCI Segment.

PCI Root Bridge I/O Protocol instances are either produced by the system firmware or by a UEFI driver. When a PCI Root Bridge I/O Protocol is produced, it is placed on a device handle along with an EFI Device Path Protocol instance. Figure 28 shows a sample device handle for a PCI Root Bridge Controller that includes an instance of the **EFI\_DEVICE\_PATH\_PROTOCOL** and the **EFI\_PCI\_ROOT\_BRIDGE\_IO\_PROTOCOL**. Section 13.2 describes the PCI Root Bridge I/O Protocol in detail, and Section 13.2.1 describes how to build device paths for PCI Root Bridges. The **EFI\_PCI\_ROOT\_BRIDGE\_IO\_PROTOCOL** does not abstract access to the chipset-specific registers that are used to manage a PCI Root Bridge. This functionality is hidden within the system firmware or the driver that produces the handles that represent the PCI Root Bridges.



OM13151

**Figure 28. Device Handle for a PCI Root Bridge Controller**

### 13.1.1.1 Sample PCI Architectures

The PCI Root Bridge I/O Protocol is designed to provide a software abstraction for a wide variety of PCI architectures including the ones described in this section. This section is not intended to be an exhaustive list of the PCI architectures that the PCI Root Bridge I/O Protocol can support. Instead, it is intended to show the flexibility of this protocol to adapt to current and future platform designs.

Figure 29 shows an example of a PCI Host Bus with one PCI Root Bridge. This PCI Root Bridge produces one PCI Local Bus that can contain PCI Devices on the motherboard and/or PCI slots. This would be typical of a desktop system. A higher end desktop system might contain a second PCI Root Bridge for AGP devices. The firmware for this platform would produce one instance of the PCI Root Bridge I/O Protocol.

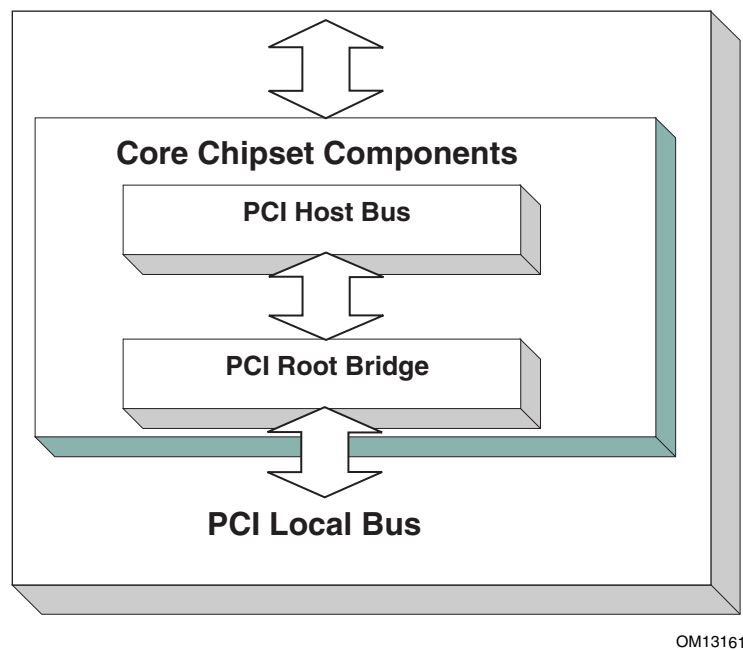
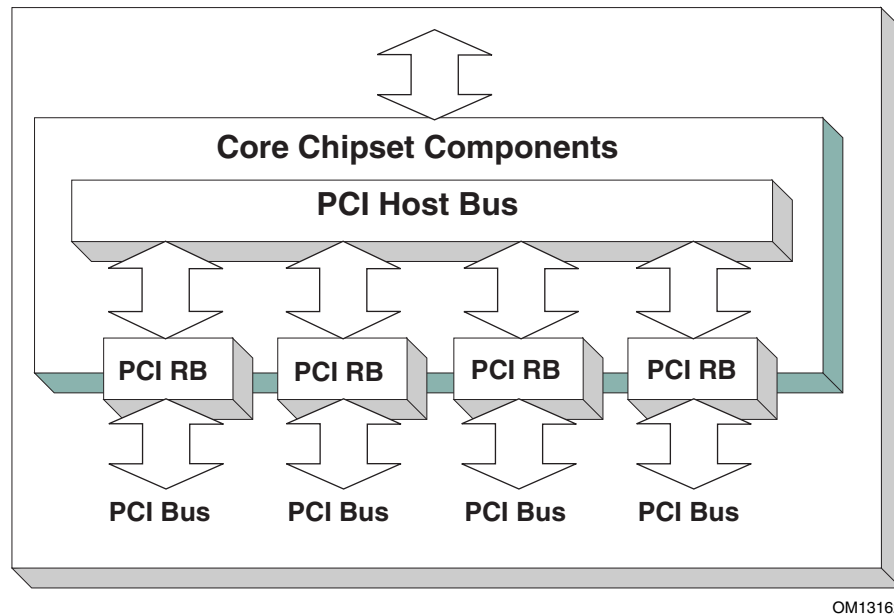


Figure 29. Desktop System with One PCI Root Bridge



Figure 30 shows an example of a larger server with one PCI Host Bus and four PCI Root Bridges. The PCI devices attached to the PCI Root Bridges are all part of the same coherency domain. This means they share a common PCI I/O Space, a common PCI Memory Space, and a common PCI Prefetchable Memory Space. Each PCI Root Bridge produces one PCI Local Bus that can contain PCI Devices on the motherboard or PCI slots. The firmware for this platform would produce four instances of the PCI Root Bridge I/O Protocol.



**Figure 30. Server System with Four PCI Root Bridges**

Figure 31 shows an example of a server with one PCI Host Bus and two PCI Root Bridges. Each of these PCI Root Bridges is a different PCI Segment which allows the system to have up to 512 PCI Buses. A single PCI Segment is limited to 256 PCI Buses. These two segments do not share the same PCI Configuration Space, but they do share the same PCI I/O, PCI Memory, and PCI Prefetchable Memory Space. This is why it can be described by a single PCI Host Bus. The firmware for this platform would produce two instances of the PCI Root Bridge I/O Protocol.

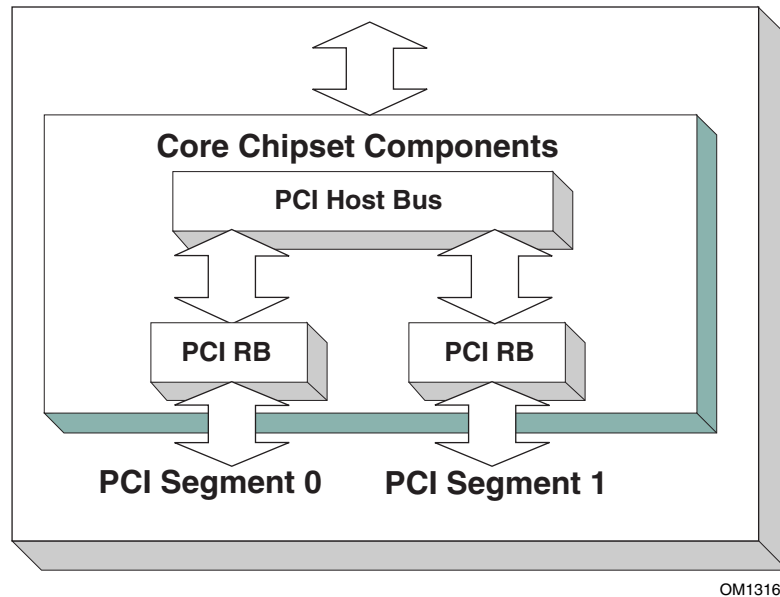
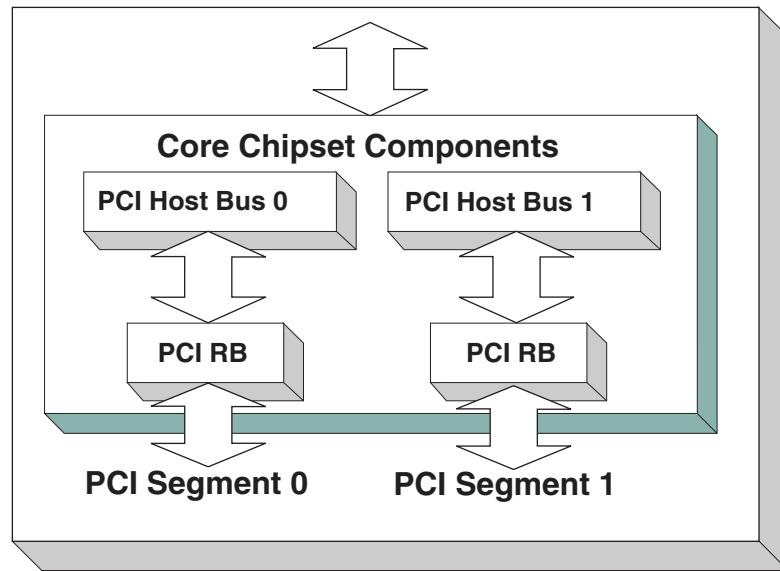


Figure 31. Server System with Two PCI Segments

Figure 32 shows a server system with two PCI Host Buses and one PCI Root Bridge per PCI Host Bus. This system supports up to 512 PCI Buses, but the PCI I/O, PCI Memory Space, and PCI Prefetchable Memory Space are not shared between the two PCI Root Bridges. The firmware for this platform would produce two instances of the PCI Root Bridge I/O Protocol.



OM13164

**Figure 32. Server System with Two PCI Host Buses**

## 13.2 PCI Root Bridge I/O Protocol

This section provides detailed information on the PCI Root Bridge I/O Protocol and its functions.

### EFI\_PCI\_ROOT\_BRIDGE\_IO\_PROTOCOL

#### Summary

Provides the basic Memory, I/O, PCI configuration, and DMA interfaces that are used to abstract accesses to PCI controllers behind a PCI Root Bridge Controller.

#### GUID

```
#define EFI_PCI_ROOT_BRIDGE_IO_PROTOCOL_GUID \
    {0x2F707EBB, 0x4A1A, 0x11d4, 0x9A, 0x38, 0x00, 0x90, 0x27, 0x3F, \
    0xC1, 0x4D}
```

#### Protocol Interface Structure

```
typedef struct _EFI_PCI_ROOT_BRIDGE_IO_PROTOCOL {
    EFI_HANDLE                               ParentHandle;
    EFI_PCI_ROOT_BRIDGE_IO_PROTOCOL_POLL_IO_MEM PollMem;
    EFI_PCI_ROOT_BRIDGE_IO_PROTOCOL_POLL_IO_MEM PollIo;
    EFI_PCI_ROOT_BRIDGE_IO_PROTOCOL_ACCESS    Mem;
    EFI_PCI_ROOT_BRIDGE_IO_PROTOCOL_ACCESS    Io;
    EFI_PCI_ROOT_BRIDGE_IO_PROTOCOL_ACCESS    Pci;
    EFI_PCI_ROOT_BRIDGE_IO_PROTOCOL_COPY_MEM CopyMem;
    EFI_PCI_ROOT_BRIDGE_IO_PROTOCOL_MAP       Map;
    EFI_PCI_ROOT_BRIDGE_IO_PROTOCOL_UNMAP     Unmap;
    EFI_PCI_ROOT_BRIDGE_IO_PROTOCOL_ALLOCATE_BUFFER AllocateBuffer;
    EFI_PCI_ROOT_BRIDGE_IO_PROTOCOL_FREE_BUFFER FreeBuffer;
    EFI_PCI_ROOT_BRIDGE_IO_PROTOCOL_FLUSH     Flush;
    EFI_PCI_ROOT_BRIDGE_IO_PROTOCOL_GET_ATTRIBUTES GetAttributes;
    EFI_PCI_ROOT_BRIDGE_IO_PROTOCOL_SET_ATTRIBUTES SetAttributes;
    EFI_PCI_ROOT_BRIDGE_IO_PROTOCOL_CONFIGURATION Configuration;
    UINT32                                     SegmentNumber;
} EFI_PCI_ROOT_BRIDGE_IO_PROTOCOL;
```

#### Parameters

<i>ParentHandle</i>	The <b>EFI_HANDLE</b> of the PCI Host Bridge of which this PCI Root Bridge is a member.
<i>PollMem</i>	Polls an address in memory mapped I/O space until an exit condition is met, or a timeout occurs. See the <a href="#">PollMem()</a> function description.
<i>PollIo</i>	Polls an address in I/O space until an exit condition is met, or a timeout occurs. See the <a href="#">PollIo()</a> function description.

<i>Mem.Read</i>	Allows reads from memory mapped I/O space. See the <a href="#"><u>Mem.Read()</u></a> function description.
<i>Mem.Write</i>	Allows writes to memory mapped I/O space. See the <a href="#"><u>Mem.Write()</u></a> function description.
<i>Io.Read</i>	Allows reads from I/O space. See the <a href="#"><u>Io.Read()</u></a> function description.
<i>Io.Write</i>	Allows writes to I/O space. See the <a href="#"><u>Io.Write()</u></a> function description.
<i>Pci.Read</i>	Allows reads from PCI configuration space. See the <a href="#"><u>Pci.Read()</u></a> function description.
<i>Pci.Write</i>	Allows writes to PCI configuration space. See the <a href="#"><u>Pci.Write()</u></a> function description.
<i>CopyMem</i>	Allows one region of PCI root bridge memory space to be copied to another region of PCI root bridge memory space. See the <a href="#"><u>CopyMem()</u></a> function description.
<i>Map</i>	Provides the PCI controller–specific addresses needed to access system memory for DMA. See the <a href="#"><u>Map()</u></a> function description.
<i>Unmap</i>	Releases any resources allocated by <a href="#"><u>Map()</u></a> . See the <a href="#"><u>Unmap()</u></a> function description.
<i>AllocateBuffer</i>	Allocates pages that are suitable for a common buffer mapping. See the <a href="#"><u>AllocateBuffer()</u></a> function description.
<i>FreeBuffer</i>	Free pages that were allocated with <a href="#"><u>AllocateBuffer()</u></a> . See the <a href="#"><u>FreeBuffer()</u></a> function description.
<i>Flush</i>	Flushes all PCI posted write transactions to system memory. See the <a href="#"><u>Flush()</u></a> function description.
<i>GetAttributes</i>	Gets the attributes that a PCI root bridge supports setting with <a href="#"><u>SetAttributes()</u></a> , and the attributes that a PCI root bridge is currently using. See the <a href="#"><u>GetAttributes()</u></a> function description.
<i>SetAttributes</i>	Sets attributes for a resource range on a PCI root bridge. See the <a href="#"><u>SetAttributes()</u></a> function description.
<i>Configuration</i>	Gets the current resource settings for this PCI root bridge. See the <a href="#"><u>Configuration()</u></a> function description.
<i>SegmentNumber</i>	The segment number that this PCI root bridge resides.

## Related Definitions

```

//*****
// EFI_PCI_ROOT_BRIDGE_IO_PROTOCOL_WIDTH
//*****
typedef enum {
    EfiPciWidthUint8,
    EfiPciWidthUint16,
    EfiPciWidthUint32,
    EfiPciWidthUint64,
    EfiPciWidthFifoUint8,
    EfiPciWidthFifoUint16,
    EfiPciWidthFifoUint32,
    EfiPciWidthFifoUint64,
    EfiPciWidthFillUint8,
    EfiPciWidthFillUint16,
    EfiPciWidthFillUint32,
    EfiPciWidthFillUint64,
    EfiPciWidthMaximum
} EFI_PCI_ROOT_BRIDGE_IO_PROTOCOL_WIDTH;

//*****
// EFI_PCI_ROOT_BRIDGE_IO_PROTOCOL_POLL_IO_MEM
//*****
typedef
EFI_STATUS
(EFI_API *EFI_PCI_ROOT_BRIDGE_IO_PROTOCOL_POLL_IO_MEM) (
    IN struct EFI_PCI_ROOT_BRIDGE_IO_PROTOCOL *This,
    IN EFI_PCI_ROOT_BRIDGE_IO_PROTOCOL_WIDTH Width,
    IN UINT64 Address,
    IN UINT64 Mask,
    IN UINT64 Value,
    IN UINT64 Delay,
    OUT UINT64 *Result
);

//*****
// EFI_PCI_ROOT_BRIDGE_IO_PROTOCOL_IO_MEM
//*****
typedef
EFI_STATUS
(EFI_API *EFI_PCI_ROOT_BRIDGE_IO_PROTOCOL_IO_MEM) (
    IN EFI_PCI_ROOT_BRIDGE_IO_PROTOCOL *This,
    IN EFI_PCI_ROOT_BRIDGE_IO_PROTOCOL_WIDTH Width,
    IN UINT64 Address,
    IN UINTN Count,
    IN OUT VOID *Buffer
);

```

```

//*****
// EFI_PCI_ROOT_BRIDGE_IO_PROTOCOL_ACCESS
//*****
typedef struct {
    EFI_PCI_ROOT_BRIDGE_IO_PROTOCOL_IO_MEM  Read;
    EFI_PCI_ROOT_BRIDGE_IO_PROTOCOL_IO_MEM  Write;
} EFI_PCI_ROOT_BRIDGE_IO_PROTOCOL_ACCESS;

//*****
// EFI PCI Root Bridge I/O Protocol Attribute bits
//*****
#define EFI_PCI_ATTRIBUTE_ISA_MOTHERBOARD_IO    0x0001
#define EFI_PCI_ATTRIBUTE_ISA_IO                0x0002
#define EFI_PCI_ATTRIBUTE_VGA_PALETTE_IO        0x0004
#define EFI_PCI_ATTRIBUTE_VGA_MEMORY            0x0008
#define EFI_PCI_ATTRIBUTE_VGA_IO                0x0010
#define EFI_PCI_ATTRIBUTE_IDE_PRIMARY_IO        0x0020
#define EFI_PCI_ATTRIBUTE_IDE_SECONDARY_IO      0x0040
#define EFI_PCI_ATTRIBUTE_MEMORY_WRITE_COMBINE  0x0080
#define EFI_PCI_ATTRIBUTE_MEMORY_CACHED         0x0800
#define EFI_PCI_ATTRIBUTE_MEMORY_DISABLE        0x1000
#define EFI_PCI_ATTRIBUTE_DUAL_ADDRESS_CYCLE    0x8000
#define EFI_PCI_ATTRIBUTE_ISA_IO_16            0x10000
#define EFI_PCI_ATTRIBUTE_VGA_PALETTE_IO_16    0x20000
#define EFI_PCI_ATTRIBUTE_VGA_IO_16            0x40000

```

#### **EFI\_PCI\_ATTRIBUTE\_ISA\_IO\_16**

If this bit is set, then the PCI I/O cycles between 0x100 and 0x3FF are forwarded onto a PCI root bridge using a 16-bit address decoder on address bits 0..15. Address bits 16..31 must be zero. This bit is used to forward I/O cycles for legacy ISA devices onto a PCI root bridge. This bit may not be combined with **EFI\_PCI\_ATTRIBUTE\_ISA\_IO**.

#### **EFI\_PCI\_ATTRIBUTE\_VGA\_PALETTE\_IO\_16**

If this bit is set, then the PCI I/O write cycles for 0x3C6, 0x3C8, and 0x3C9 are forwarded onto a PCI root bridge using a 16-bit address decoder on address bits 0..15. Address bits 16..31 must be zero. This bit is used to forward I/O write cycles to the VGA palette registers onto a PCI root bridge. This bit may not be combined with **EFI\_PCI\_ATTRIBUTE\_VGA\_IO** or **EFI\_PCI\_ATTRIBUTE\_VGA\_PALETTE\_IO**.

#### **EFI\_PCI\_ATTRIBUTE\_VGA\_IO\_16**

If this bit is set, then the PCI I/O cycles in the ranges 0x3B0–0x3BB and 0x3C0–0x3DF are forwarded onto a PCI root bridge using a 16-bit address decoder on address bits 0..15. Address bits 16..31 must be zero. This bit is used to forward I/O cycles for a VGA controller onto a PCI root bridge. This bit may not be combined with **EFI\_PCI\_ATTRIBUTE\_VGA\_IO** or **EFI\_PCI\_ATTRIBUTE\_VGA\_PALETTE\_IO**. Because **EFI\_PCI\_ATTRIBUTE\_VGA\_IO\_16** also includes the I/O range described by **EFI\_PCI\_ATTRIBUTE\_VGA\_PALETTE\_IO\_16**, the **EFI\_PCI\_ATTRIBUTE\_VGA\_PALETTE\_IO\_16** bit is ignored if **EFI\_PCI\_ATTRIBUTE\_VGA\_IO\_16** is set.

#### **EFI\_PCI\_ATTRIBUTE\_ISA\_MOTHERBOARD\_IO**

If this bit is set, then the PCI I/O cycles between 0x00000000 and 0x000000FF are forwarded onto a PCI root bridge. This bit is used to forward I/O cycles for ISA motherboard devices onto a PCI root bridge.

#### **EFI\_PCI\_ATTRIBUTE\_ISA\_IO**

If this bit is set, then the PCI I/O cycles between 0x100 and 0x3FF are forwarded onto a PCI root bridge using a 10-bit address decoder on address bits 0..9. Address bits 10..15 are not decoded, and address bits 16..31 must be zero. This bit is used to forward I/O cycles for legacy ISA devices onto a PCI root bridge.

#### **EFI\_PCI\_ATTRIBUTE\_VGA\_PALETTE\_IO**

If this bit is set, then the PCI I/O write cycles for 0x3C6, 0x3C8, and 0x3C9 are forwarded onto a PCI root bridge using a 10 bit address decoder on address bits 0..9. Address bits 10..15 are not decoded, and address bits 16..31 must be zero. This bit is used to forward I/O write cycles to the VGA palette registers onto a PCI root bridge.

#### **EFI\_PCI\_ATTRIBUTE\_VGA\_MEMORY**

If this bit is set, then the PCI memory cycles between 0xA0000 and 0xBFFFF are forwarded onto a PCI root bridge. This bit is used to forward memory cycles for a VGA frame buffer onto a PCI root bridge.



#### **EFI\_PCI\_ATTRIBUTE\_VGA\_IO**

If this bit is set, then the PCI I/O cycles in the ranges 0x3B0-0x3BB and 0x3C0-0x3DF are forwarded onto a PCI root bridge using a 10-bit address decoder on address bits 0..9. Address bits 10..15 are not decoded, and the address bits 16..31 must be zero. This bit is used to forward I/O cycles for a VGA controller onto a PCI root bridge. Since **EFI\_PCI\_ATTRIBUTE\_ENABLE\_VGA\_IO** also includes the I/O range described by **EFI\_PCI\_ATTRIBUTE\_ENABLE\_VGA\_PALETTE\_IO**, the **EFI\_PCI\_ATTRIBUTE\_ENABLE\_VGA\_PALETTE\_IO** bit is ignored if **EFI\_PCI\_ATTRIBUTE\_ENABLE\_VGA\_IO** is set.

#### **EFI\_PCI\_ATTRIBUTE\_IDE\_PRIMARY\_IO**

If this bit is set, then the PCI I/O cycles in the ranges 0x1F0-0x1F7 and 0x3F6-0x3F7 are forwarded onto a PCI root bridge using a 16-bit address decoder on address bits 0..15. Address bits 16..31 must be zero. This bit is used to forward I/O cycles for a Primary IDE controller onto a PCI root bridge.

#### **EFI\_PCI\_ATTRIBUTE\_IDE\_SECONDARY\_IO**

If this bit is set, then the PCI I/O cycles in the ranges 0x170-0x177 and 0x376-0x377 are forwarded onto a PCI root bridge using a 16-bit address decoder on address bits 0..15. Address bits 16..31 must be zero. This bit is used to forward I/O cycles for a Secondary IDE controller onto a PCI root bridge.

#### **EFI\_PCI\_ATTRIBUTE\_MEMORY\_WRITE\_COMBINE**

If this bit is set, then this platform supports changing the attributes of a PCI memory range so that the memory range is accessed in a write combining mode. By default, PCI memory ranges are not accessed in a write combining mode.

#### **EFI\_PCI\_ATTRIBUTE\_MEMORY\_CACHED**

If this bit is set, then this platform supports changing the attributes of a PCI memory range so that the memory range is accessed in a cached mode. By default, PCI memory ranges are accessed noncached.

#### **EFI\_PCI\_ATTRIBUTE\_MEMORY\_DISABLE**

If this bit is set, then this platform supports changing the attributes of a PCI memory range so that the memory range is disabled, and can no longer be accessed. By default, all PCI memory ranges are enabled.

#### **EFI\_PCI\_ATTRIBUTE\_DUAL\_ADDRESS\_CYCLE**

- This bit may only be used in the *Attributes* parameter to **AllocateBuffer()**. If this bit is set, then the PCI controller that is requesting a buffer through **AllocateBuffer()** is capable of producing PCI Dual Address Cycles, so it is able to access a 64-bit address space. If this bit is not set, then the PCI controller that is requesting a buffer through **AllocateBuffer()** is not capable of producing PCI Dual Address Cycles, so it is only able to access a 32-bit address space.

```

//*****
// EFI_PCI_ROOT_BRIDGE_IO_PROTOCOL_OPERATION
//*****
typedef enum {
    EfiPciOperationBusMasterRead,
    EfiPciOperationBusMasterWrite,
    EfiPciOperationBusMasterCommonBuffer,
    EfiPciOperationBusMasterRead64,
    EfiPciOperationBusMasterWrite64,
    EfiPciOperationBusMasterCommonBuffer64,
    EfiPciOperationMaximum
} EFI_PCI_ROOT_BRIDGE_IO_PROTOCOL_OPERATION;

```

**EfiPciOperationBusMasterRead**

A read operation from system memory by a bus master that is not capable of producing PCI dual address cycles.

**EfiPciOperationBusMasterWrite**

A write operation to system memory by a bus master that is not capable of producing PCI dual address cycles.

**EfiPciOperationBusMasterCommonBuffer**

Provides both read and write access to system memory by both the processor and a bus master that is not capable of producing PCI dual address cycles. The buffer is coherent from both the processor's and the bus master's point of view.

**EfiPciOperationBusMasterRead64**

A read operation from system memory by a bus master that is capable of producing PCI dual address cycles.

**EfiPciOperationBusMasterWrite64**

A write operation to system memory by a bus master that is capable of producing PCI dual address cycles.

**EfiPciOperationBusMasterCommonBuffer64**

Provides both read and write access to system memory by both the processor and a bus master that is capable of producing PCI dual address cycles. The buffer is coherent from both the processor's and the bus master's point of view.

## Description

The **EFI\_PCI\_ROOT\_BRIDGE\_IO\_PROTOCOL** provides the basic Memory, I/O, PCI configuration, and DMA interfaces that are used to abstract accesses to PCI controllers. There is one **EFI\_PCI\_ROOT\_BRIDGE\_IO\_PROTOCOL** instance for each PCI root bridge in a system. Embedded systems, desktops, and workstations will typically only have one PCI root bridge. High-end servers may have multiple PCI root bridges. A device driver that wishes to manage a PCI bus in a system will have to retrieve the **EFI\_PCI\_ROOT\_BRIDGE\_IO\_PROTOCOL** instance that is associated with the PCI bus to be managed. A device handle for a PCI Root Bridge will minimally contain an **EFI\_DEVICE\_PATH\_PROTOCOL** instance and an **EFI\_PCI\_ROOT\_BRIDGE\_IO\_PROTOCOL** instance. The PCI bus driver can look at the **EFI\_DEVICE\_PATH\_PROTOCOL** instances to determine which **EFI\_PCI\_ROOT\_BRIDGE\_IO\_PROTOCOL** instance to use.

Bus mastering PCI controllers can use the DMA services for DMA operations. There are three basic types of bus mastering DMA that is supported by this protocol. These are DMA reads by a bus master, DMA writes by a bus master, and common buffer DMA. The DMA read and write operations may need to be broken into smaller chunks. The caller of **Map()** must pay attention to the number of bytes that were mapped, and if required, loop until the entire buffer has been transferred. The following is a list of the different bus mastering DMA operations that are supported, and the sequence of **EFI\_PCI\_ROOT\_BRIDGE\_IO\_PROTOCOL** APIs that are used for each DMA operation type. See “Related Definitions” above for the definition of the different DMA operation types.

### **DMA Bus Master Read Operation**

- Call **Map ()** for **EfiPciOperationBusMasterRead** or **EfiPciOperationBusMasterRead64**.
- Program the DMA Bus Master with the *DeviceAddress* returned by **Map ()**.
- Start the DMA Bus Master.
- Wait for DMA Bus Master to complete the read operation.
- Call **Unmap ()**.

### **DMA Bus Master Write Operation**

- Call **Map ()** for **EfiPciOperationBusMasterWrite** or **EfiPciOperationBusMasterRead64**.
- Program the DMA Bus Master with the *DeviceAddress* returned by **Map ()**.
- Start the DMA Bus Master.
- Wait for DMA Bus Master to complete the write operation.
- Perform a PCI controller specific read transaction to flush all PCI write buffers (See *PCI Specification* Section 3.2.5.2) .
- Call **Flush ()**.
- Call **Unmap ()**.

### **DMA Bus Master Common Buffer Operation**

- Call **AllocateBuffer ()** to allocate a common buffer.
- Call **Map ()** for **EfiPciOperationBusMasterCommonBuffer** or **EfiPciOperationBusMasterCommonBuffer64**.
- Program the DMA Bus Master with the *DeviceAddress* returned by **Map ()**.
- The common buffer can now be accessed equally by the processor and the DMA bus master.
- Call **Unmap ()**.
- Call **FreeBuffer ()**.

## EFI\_PCI\_ROOT\_BRIDGE\_IO\_PROTOCOL.PollMem()

### Summary

Reads from the memory space of a PCI Root Bridge. Returns when either the polling exit criteria is satisfied or after a defined duration.

### Prototype

```
typedef
EFI_STATUS
(EFI_API *EFI_PCI_ROOT_BRIDGE_IO_PROTOCOL_POLL_IO_MEM) (
    IN struct EFI_PCI_ROOT_BRIDGE_IO_PROTOCOL *This,
    IN EFI_PCI_ROOT_BRIDGE_IO_PROTOCOL_WIDTH Width,
    IN UINT64 Address,
    IN UINT64 Mask,
    IN UINT64 Value,
    IN UINT64 Delay,
    OUT UINT64 *Result
);
```

### Parameters

<i>This</i>	A pointer to the <u>EFI_PCI_ROOT_BRIDGE_IO_PROTOCOL</u> . Type <u>EFI_PCI_ROOT_BRIDGE_IO_PROTOCOL</u> is defined in Section 13.2.
<i>Width</i>	Signifies the width of the memory operations. Type <u>EFI_PCI_ROOT_BRIDGE_IO_PROTOCOL_WIDTH</u> is defined in Section 13.2.
<i>Address</i>	The base address of the memory operations. The caller is responsible for aligning <i>Address</i> if required.
<i>Mask</i>	Mask used for the polling criteria. Bytes above <i>Width</i> in <i>Mask</i> are ignored. The bits in the bytes below <i>Width</i> which are zero in <i>Mask</i> are ignored when polling the memory address.
<i>Value</i>	The comparison value used for the polling exit criteria.
<i>Delay</i>	The number of 100 ns units to poll. Note that timer available may be of poorer granularity.
<i>Result</i>	Pointer to the last value read from the memory location.

## Description

This function provides a standard way to poll a PCI memory location. A PCI memory read operation is performed at the PCI memory address specified by *Address* for the width specified by *Width*. The result of this PCI memory read operation is stored in *Result*. This PCI memory read operation is repeated until either a timeout of *Delay* 100 ns units has expired, or (*Result* & *Mask*) is equal to *Value*.

This function will always perform at least one PCI memory read access no matter how small *Delay* may be. If *Delay* is zero, then *Result* will be returned with a status of **EFI\_SUCCESS** even if *Result* does not match the exit criteria. If *Delay* expires, then **EFI\_TIMEOUT** is returned.

If *Width* is not **EfiPciWidthUint8**, **EfiPciWidthUint16**, **EfiPciWidthUint32**, or **EfiPciWidthUint64**, then **EFI\_INVALID\_PARAMETER** is returned.

The memory operations are carried out exactly as requested. The caller is responsible for satisfying any alignment and memory width restrictions that a PCI Root Bridge on a platform might require. For example on some platforms, width requests of **EfiPciWidthUint64** are not supported.

All the PCI transactions generated by this function are guaranteed to be completed before this function returns. However, if the memory mapped I/O region being accessed by this function has the **EFI\_PCI\_ATTRIBUTE\_MEMORY\_CACHED** attribute set, then the transactions will follow the ordering rules defined by the processor architecture.

## Status Codes Returned

EFI_SUCCESS	The last data returned from the access matched the poll exit criteria.
EFI_INVALID_PARAMETER	<i>Width</i> is invalid.
EFI_INVALID_PARAMETER	<i>Result</i> is <b>NULL</b> .
EFI_TIMEOUT	<i>Delay</i> expired before a match occurred.
EFI_OUT_OF_RESOURCES	The request could not be completed due to a lack of resources.

## EFI\_PCI\_ROOT\_BRIDGE\_IO\_PROTOCOL.PollIo()

### Summary

Reads from the I/O space of a PCI Root Bridge. Returns when either the polling exit criteria is satisfied or after a defined duration.

### Prototype

```
typedef
EFI_STATUS
(EFI_API *EFI_PCI_ROOT_BRIDGE_IO_PROTOCOL_POLL_IO_MEM) (
    IN struct EFI_PCI_ROOT_BRIDGE_IO_PROTOCOL *This,
    IN EFI_PCI_ROOT_BRIDGE_IO_PROTOCOL_WIDTH Width,
    IN UINT64 Address,
    IN UINT64 Mask,
    IN UINT64 Value,
    IN UINT64 Delay,
    OUT UINT64 *Result
);
```

### Parameters

<i>This</i>	A pointer to the <u>EFI_PCI_ROOT_BRIDGE_IO_PROTOCOL</u> . Type <u>EFI_PCI_ROOT_BRIDGE_IO_PROTOCOL</u> is defined in Section 13.2.
<i>Width</i>	Signifies the width of the I/O operations. Type <u>EFI_PCI_ROOT_BRIDGE_IO_PROTOCOL_WIDTH</u> is defined in Section 13.2.
<i>Address</i>	The base address of the I/O operations. The caller is responsible for aligning <i>Address</i> if required.
<i>Mask</i>	Mask used for the polling criteria. Bytes above <i>Width</i> in <i>Mask</i> are ignored. The bits in the bytes below <i>Width</i> which are zero in <i>Mask</i> are ignored when polling the I/O address.
<i>Value</i>	The comparison value used for the polling exit criteria.
<i>Delay</i>	The number of 100 ns units to poll. Note that timer available may be of poorer granularity.
<i>Result</i>	Pointer to the last value read from the memory location.

## Description

This function provides a standard way to poll a PCI I/O location. A PCI I/O read operation is performed at the PCI I/O address specified by *Address* for the width specified by *Width*. The result of this PCI I/O read operation is stored in *Result*. This PCI I/O read operation is repeated until either a timeout of *Delay* 100 ns units has expired, or  $(Result \& Mask)$  is equal to *Value*.

This function will always perform at least one I/O access no matter how small *Delay* may be. If *Delay* is zero, then *Result* will be returned with a status of **EFI\_SUCCESS** even if *Result* does not match the exit criteria. If *Delay* expires, then **EFI\_TIMEOUT** is returned.

If *Width* is not **EfiPciWidthUint8**, **EfiPciWidthUint16**, **EfiPciWidthUint32**, or **EfiPciWidthUint64**, then **EFI\_INVALID\_PARAMETER** is returned.

The I/O operations are carried out exactly as requested. The caller is responsible satisfying any alignment and I/O width restrictions that the PCI Root Bridge on a platform might require. For example on some platforms, width requests of **EfiPciWidthUint64** do not work.

All the PCI transactions generated by this function are guaranteed to be completed before this function returns.

## Status Codes Returned

EFI_SUCCESS	The last data returned from the access matched the poll exit criteria.
EFI_INVALID_PARAMETER	<i>Width</i> is invalid.
EFI_INVALID_PARAMETER	<i>Result</i> is <b>NULL</b> .
EFI_TIMEOUT	<i>Delay</i> expired before a match occurred.
EFI_OUT_OF_RESOURCES	The request could not be completed due to a lack of resources.



## EFI\_PCI\_ROOT\_BRIDGE\_IO\_PROTOCOL.Mem.Read() EFI\_PCI\_ROOT\_BRIDGE\_IO\_PROTOCOL.Mem.Write()

### Summary

Enables a PCI driver to access PCI controller registers in the PCI root bridge memory space.

### Prototype

```
typedef
EFI_STATUS
(EFIAPI *EFI_PCI_ROOT_BRIDGE_IO_PROTOCOL_IO_MEM) (
    IN      EFI_PCI_ROOT_BRIDGE_IO_PROTOCOL    *This,
    IN      EFI_PCI_ROOT_BRIDGE_IO_PROTOCOL_WIDTH Width,
    IN      UINT64                               Address,
    IN      UINTN                               Count,
    IN OUT VOID                               *Buffer
);
```

### Parameters

<i>This</i>	A pointer to the <u>EFI_PCI_ROOT_BRIDGE_IO_PROTOCOL</u> . Type <u>EFI_PCI_ROOT_BRIDGE_IO_PROTOCOL</u> is defined in Section 13.2.
<i>Width</i>	Signifies the width of the memory operation. Type <u>EFI_PCI_ROOT_BRIDGE_IO_PROTOCOL_WIDTH</u> is defined in Section 13.2.
<i>Address</i>	The base address of the memory operation. The caller is responsible for aligning the <i>Address</i> if required.
<i>Count</i>	The number of memory operations to perform. Bytes moved is <i>Width</i> size * <i>Count</i> , starting at <i>Address</i> .
<i>Buffer</i>	For read operations, the destination buffer to store the results. For write operations, the source buffer to write data from.

## Description

The **Mem.Read()**, and **Mem.Write()** functions enable a driver to access PCI controller registers in the PCI root bridge memory space.

The memory operations are carried out exactly as requested. The caller is responsible for satisfying any alignment and memory width restrictions that a PCI Root Bridge on a platform might require. For example on some platforms, width requests of **EfiPciWidthUint64** do not work.

If *Width* is **EfiPciWidthUint8**, **EfiPciWidthUint16**, **EfiPciWidthUint32**, or **EfiPciWidthUint64**, then both *Address* and *Buffer* are incremented for each of the *Count* operations performed.

If *Width* is **EfiPciWidthFifoUint8**, **EfiPciWidthFifoUint16**, **EfiPciWidthFifoUint32**, or **EfiPciWidthFifoUint64**, then only *Buffer* is incremented for each of the *Count* operations performed. The read or write operation is performed *Count* times on the same *Address*.

If *Width* is **EfiPciWidthFillUint8**, **EfiPciWidthFillUint16**, **EfiPciWidthFillUint32**, or **EfiPciWidthFillUint64**, then only *Address* is incremented for each of the *Count* operations performed. The read or write operation is performed *Count* times from the first element of *Buffer*.

All the PCI read transactions generated by this function are guaranteed to be completed before this function returns. All the PCI write transactions generated by this function will follow the write ordering and completion rules defined in the *PCI Specification*. However, if the memory-mapped I/O region being accessed by this function has the **EFI\_PCI\_ATTRIBUTE\_MEMORY\_CACHED** attribute set, then the transactions will follow the ordering rules defined by the processor architecture.

## Status Codes Returned

EFI_SUCCESS	The data was read from or written to the PCI root bridge.
EFI_INVALID_PARAMETER	<i>Width</i> is invalid for this PCI root bridge.
EFI_INVALID_PARAMETER	<i>Buffer</i> is <b>NULL</b> .
EFI_OUT_OF_RESOURCES	The request could not be completed due to a lack of resources.

## EFI\_PCI\_ROOT\_BRIDGE\_IO\_PROTOCOL Io.Read() EFI\_PCI\_ROOT\_BRIDGE\_IO\_PROTOCOL Io.Write()

### Summary

Enables a PCI driver to access PCI controller registers in the PCI root bridge I/O space.

### Prototype

```
typedef
EFI_STATUS
(EFIAPI *EFI_PCI_ROOT_BRIDGE_IO_PROTOCOL_IO_MEM) (
    IN      EFI_PCI_ROOT_BRIDGE_IO_PROTOCOL      *This,
    IN      EFI_PCI_ROOT_BRIDGE_IO_PROTOCOL_WIDTH Width,
    IN      UINT64                               Address,
    IN      UINTN                                Count,
    IN OUT  VOID                                *Buffer
);
```

### Parameters

<i>This</i>	A pointer to the <b>EFI_PCI_ROOT_BRIDGE_IO_PROTOCOL</b> . Type <b>EFI_PCI_ROOT_BRIDGE_IO_PROTOCOL</b> is defined in Section 13.2.
<i>Width</i>	Signifies the width of the memory operations. Type <b>EFI_PCI_ROOT_BRIDGE_IO_PROTOCOL_WIDTH</b> is defined in Section 13.2.
<i>Address</i>	The base address of the I/O operation. The caller is responsible for aligning the <i>Address</i> if required.
<i>Count</i>	The number of I/O operations to perform. Bytes moved is <i>Width</i> size * <i>Count</i> , starting at <i>Address</i> .
<i>Buffer</i>	For read operations, the destination buffer to store the results. For write operations, the source buffer to write data from.

## Description

The `Io.Read()`, and `Io.Write()` functions enable a driver to access PCI controller registers in the PCI root bridge I/O space.

The I/O operations are carried out exactly as requested. The caller is responsible for satisfying any alignment and I/O width restrictions that a PCI root bridge on a platform might require. For example on some platforms, width requests of `EfiPciWidthUint64` do not work.

If *Width* is `EfiPciWidthUint8`, `EfiPciWidthUint16`, `EfiPciWidthUint32`, or `EfiPciWidthUint64`, then both *Address* and *Buffer* are incremented for each of the *Count* operations performed.

If *Width* is `EfiPciWidthFifoUint8`, `EfiPciWidthFifoUint16`, `EfiPciWidthFifoUint32`, or `EfiPciWidthFifoUint64`, then only *Buffer* is incremented for each of the *Count* operations performed. The read or write operation is performed *Count* times on the same *Address*.

If *Width* is `EfiPciWidthFillUint8`, `EfiPciWidthFillUint16`, `EfiPciWidthFillUint32`, or `EfiPciWidthFillUint64`, then only *Address* is incremented for each of the *Count* operations performed. The read or write operation is performed *Count* times from the first element of *Buffer*.

All the PCI transactions generated by this function are guaranteed to be completed before this function returns.

## Status Codes Returned

EFI_SUCCESS	The data was read from or written to the PCI root bridge.
EFI_INVALID_PARAMETER	<i>Width</i> is invalid for this PCI root bridge.
EFI_INVALID_PARAMETER	<i>Buffer</i> is <b>NULL</b> .
EFI_OUT_OF_RESOURCES	The request could not be completed due to a lack of resources.

## EFI\_PCI\_ROOT\_BRIDGE\_IO\_PROTOCOL.Pci.Read() EFI\_PCI\_ROOT\_BRIDGE\_IO\_PROTOCOL.Pci.Write()

### Summary

Enables a PCI driver to access PCI controller registers in a PCI root bridge's configuration space.

### Prototype

```
typedef
EFI_STATUS
(EFIAPI *EFI_PCI_ROOT_BRIDGE_IO_PROTOCOL_IO_MEM) (
    IN      EFI_PCI_ROOT_BRIDGE_IO_PROTOCOL      *This,
    IN      EFI_PCI_ROOT_BRIDGE_IO_PROTOCOL_WIDTH Width,
    IN      UINT64                               Address,
    IN      UINTN                                Count,
    IN OUT VOID                               *Buffer
);
```

### Parameters

<i>This</i>	A pointer to the <b>EFI_PCI_ROOT_BRIDGE_IO_PROTOCOL</b> . Type <b>EFI_PCI_ROOT_BRIDGE_IO_PROTOCOL</b> is defined in Section 13.2.
<i>Width</i>	Signifies the width of the memory operations. Type <b>EFI_PCI_ROOT_BRIDGE_IO_PROTOCOL_WIDTH</b> is defined in Section 13.2.
<i>Address</i>	The address within the PCI configuration space for the PCI controller. See Table 81 for the format of <i>Address</i> .
<i>Count</i>	The number of PCI configuration operations to perform. Bytes moved is <i>Width</i> size * <i>Count</i> , starting at <i>Address</i> .
<i>Buffer</i>	For read operations, the destination buffer to store the results. For write operations, the source buffer to write data from.

## Description

The **Pci.Read()** and **Pci.Write()** functions enable a driver to access PCI configuration registers for a PCI controller.

The PCI Configuration operations are carried out exactly as requested. The caller is responsible for any alignment and PCI configuration width issues that a PCI Root Bridge on a platform might require. For example on some platforms, width requests of **EfiPciWidthUint64** do not work.

If *Width* is **EfiPciWidthUint8**, **EfiPciWidthUint16**, **EfiPciWidthUint32**, or **EfiPciWidthUint64**, then both *Address* and *Buffer* are incremented for each of the *Count* operations performed.

If *Width* is **EfiPciWidthFifoUint8**, **EfiPciWidthFifoUint16**, **EfiPciWidthFifoUint32**, or **EfiPciWidthFifoUint64**, then only *Buffer* is incremented for each of the *Count* operations performed. The read or write operation is performed *Count* times on the same *Address*.

If *Width* is **EfiPciWidthFillUint8**, **EfiPciWidthFillUint16**, **EfiPciWidthFillUint32**, or **EfiPciWidthFillUint64**, then only *Address* is incremented for each of the *Count* operations performed. The read or write operation is performed *Count* times from the first element of *Buffer*.

All the PCI transactions generated by this function are guaranteed to be completed before this function returns.

**Table 81. PCI Configuration Address**

Mnemonic	Byte Offset	Byte Length	Description
Register	0	1	The register number on the PCI Function.
Function	1	1	The PCI Function number on the PCI Device.
Device	2	1	The PCI Device number on the PCI Bus.
Bus	3	1	The PCI Bus number.
ExtendedRegister	4	4	The register number on the PCI Function. If this field is zero, then the Register field is used for the register number. If this field is nonzero, then the Register field is ignored, and the ExtendedRegister field is used for the register number.

## Status Codes Returned

EFI_SUCCESS	The data was read from or written to the PCI root bridge.
EFI_INVALID_PARAMETER	<i>Width</i> is invalid for this PCI root bridge.
EFI_INVALID_PARAMETER	<i>Buffer</i> is <b>NULL</b> .
EFI_OUT_OF_RESOURCES	The request could not be completed due to a lack of resources.

## EFI\_PCI\_ROOT\_BRIDGE\_IO\_PROTOCOL.CopyMem()

### Summary

Enables a PCI driver to copy one region of PCI root bridge memory space to another region of PCI root bridge memory space.

### Prototype

```
typedef
EFI_STATUS
(EFIAPI *EFI_PCI_ROOT_BRIDGE_IO_PROTOCOL_COPY_MEM) (
    IN     EFI_PCI_ROOT_BRIDGE_IO_PROTOCOL      *This,
    IN     EFI_PCI_ROOT_BRIDGE_IO_PROTOCOL_WIDTH Width,
    IN     UINT64                               DestAddress,
    IN     UINT64                               SrcAddress,
    IN     UINTN                                Count
);
```

### Parameters

<i>This</i>	A pointer to the <u>EFI_PCI_ROOT_BRIDGE_IO_PROTOCOL</u> instance. Type <u>EFI_PCI_ROOT_BRIDGE_IO_PROTOCOL</u> is defined in Section 13.2.
<i>Width</i>	Signifies the width of the memory operations. Type <u>EFI_PCI_ROOT_BRIDGE_IO_PROTOCOL_WIDTH</u> is defined in Section 13.2.
<i>DestAddress</i>	The destination address of the memory operation. The caller is responsible for aligning the <i>DestAddress</i> if required.
<i>SrcAddress</i>	The source address of the memory operation. The caller is responsible for aligning the <i>SrcAddress</i> if required.
<i>Count</i>	The number of memory operations to perform. Bytes moved is <i>Width</i> size * <i>Count</i> , starting at <i>DestAddress</i> and <i>SrcAddress</i> .

## Description

The **CopyMem()** function enables a PCI driver to copy one region of PCI root bridge memory space to another region of PCI root bridge memory space. This is especially useful for video scroll operation on a memory mapped video buffer.

The memory operations are carried out exactly as requested. The caller is responsible for satisfying any alignment and memory width restrictions that a PCI root bridge on a platform might require. For example on some platforms, width requests of **EfiPciWidthUint64** do not work.

If *Width* is **EfiPciWidthUint8**, **EfiPciWidthUint16**, **EfiPciWidthUint32**, or **EfiPciWidthUint64**, then *Count* read/write transactions are performed to move the contents of the *SrcAddress* buffer to the *DestAddress* buffer. The implementation must be reentrant, and it must handle overlapping *SrcAddress* and *DestAddress* buffers. This means that the implementation of **CopyMem()** must choose the correct direction of the copy operation based on the type of overlap that exists between the *SrcAddress* and *DestAddress* buffers. If either the *SrcAddress* buffer or the *DestAddress* buffer crosses the top of the processor's address space, then the result of the copy operation is unpredictable.

The contents of the *DestAddress* buffer on exit from this service must match the contents of the *SrcAddress* buffer on entry to this service. Due to potential overlaps, the contents of the *SrcAddress* buffer may be modified by this service. The following rules can be used to guarantee the correct behavior:

1. If  $DestAddress > SrcAddress$  **and**  $DestAddress < (SrcAddress + Width\ size * Count)$ , then the data should be copied from the *SrcAddress* buffer to the *DestAddress* buffer starting from the end of buffers and working toward the beginning of the buffers.
2. Otherwise, the data should be copied from the *SrcAddress* buffer to the *DestAddress* buffer starting from the beginning of the buffers and working toward the end of the buffers.

All the PCI transactions generated by this function are guaranteed to be completed before this function returns. All the PCI write transactions generated by this function will follow the write ordering and completion rules defined in the *PCI Specification*. However, if the memory-mapped I/O region being accessed by this function has the **EFI\_PCI\_ATTRIBUTE\_MEMORY\_CACHED** attribute set, then the transactions will follow the ordering rules defined by the processor architecture.

## Status Codes Returned

EFI_SUCCESS	The data was copied from one memory region to another memory region.
EFI_INVALID_PARAMETER	<i>Width</i> is invalid for this PCI root bridge.
EFI_OUT_OF_RESOURCES	The request could not be completed due to a lack of resources.



## EFI\_PCI\_ROOT\_BRIDGE\_IO\_PROTOCOL.Map()

### Summary

Provides the PCI controller-specific addresses required to access system memory from a DMA bus master.

### Prototype

```
typedef
EFI_STATUS
(EFIAPI *EFI_PCI_ROOT_BRIDGE_IO_PROTOCOL_MAP) (
    IN      EFI_PCI_ROOT_BRIDGE_IO_PROTOCOL      *This,
    IN      EFI_PCI_ROOT_BRIDGE_IO_PROTOCOL_OPERATION Operation,
    IN      VOID                                *HostAddress,
    IN OUT  UINTN                               *NumberOfBytes,
    OUT     EFI_PHYSICAL_ADDRESS                *DeviceAddress,
    OUT     VOID                                **Mapping
);
```

### Parameters

<i>This</i>	A pointer to the <u>EFI_PCI_ROOT_BRIDGE_IO_PROTOCOL</u> . Type <u>EFI_PCI_ROOT_BRIDGE_IO_PROTOCOL</u> is defined in Section 13.2.
<i>Operation</i>	Indicates if the bus master is going to read or write to system memory. Type <u>EFI_PCI_ROOT_BRIDGE_IO_PROTOCOL_OPERATION</u> is defined in Section 13.2.
<i>HostAddress</i>	The system memory address to map to the PCI controller.
<i>NumberOfBytes</i>	On input the number of bytes to map. On output the number of bytes that were mapped.
<i>DeviceAddress</i>	The resulting map address for the bus master PCI controller to use to access the system memory's <i>HostAddress</i> . Type <u>EFI_PHYSICAL_ADDRESS</u> is defined in Section 6.2, <code>AllocatePages ()</code> . This address cannot be used by the processor to access the contents of the buffer specified by <i>HostAddress</i> .
<i>Mapping</i>	The value to pass to <u>Unmap ()</u> when the bus master DMA operation is complete.

## Description

The **Map ()** function provides the PCI controller specific addresses needed to access system memory. This function is used to map system memory for PCI bus master DMA accesses.

All PCI bus master accesses must be performed through their mapped addresses and such mappings must be freed with **Unmap ()** when complete. If the bus master access is a single read or single write data transfer, then **EfiPciOperationBusMasterRead**, **EfiPciOperationBusMasterRead64**, **EfiPciOperationBusMasterWrite**, or **EfiPciOperationBusMasterWrite64** is used and the range is unmapped to complete the operation. If performing an **EfiPciOperationBusMasterRead** or **EfiPciOperationBusMasterRead64** operation, all the data must be present in system memory before **Map ()** is performed. Similarly, if performing an **EfiPciOperationBusMasterWrite** or **EfiPciOperationBusMasterWrite64** the data cannot be properly accessed in system memory until **Unmap ()** is performed.

Bus master operations that require both read and write access or require multiple host device interactions within the same mapped region must use **EfiPciOperationBusMasterCommonBuffer** or **EfiPciOperationBusMasterCommonBuffer64**. However, only memory allocated via the **AllocateBuffer ()** interface can be mapped for this type of operation.

In all mapping requests the resulting *NumberOfBytes* actually mapped may be less than the requested amount. In this case, the DMA operation will have to be broken up into smaller chunks. The **Map ()** function will map as much of the DMA operation as it can at one time. The caller may have to loop on **Map ()** and **Unmap ()** in order to complete a large DMA transfer.

## Status Codes Returned

EFI_SUCCESS	The range was mapped for the returned <i>NumberOfBytes</i> .
EFI_INVALID_PARAMETER	<i>Operation</i> is invalid.
EFI_INVALID_PARAMETER	<i>HostAddress</i> is <b>NULL</b> .
EFI_INVALID_PARAMETER	<i>NumberOfBytes</i> is <b>NULL</b> .
EFI_INVALID_PARAMETER	<i>DeviceAddress</i> is <b>NULL</b> .
EFI_INVALID_PARAMETER	<i>Mapping</i> is <b>NULL</b> .
EFI_UNSUPPORTED	The <i>HostAddress</i> cannot be mapped as a common buffer.
EFI_DEVICE_ERROR	The system hardware could not map the requested address.
EFI_OUT_OF_RESOURCES	The request could not be completed due to a lack of resources.

## EFI\_PCI\_ROOT\_BRIDGE\_IO\_PROTOCOL.Unmap()

### Summary

Completes the [Map\(\)](#) operation and releases any corresponding resources.

### Prototype

```
typedef
EFI_STATUS
(EFIAPI *EFI_PCI_ROOT_BRIDGE_IO_PROTOCOL_UNMAP) (
    IN EFI_PCI_ROOT_BRIDGE_IO_PROTOCOL *This,
    IN VOID *Mapping
);
```

### Parameters

*This* A pointer to the [EFI\\_PCI\\_ROOT\\_BRIDGE\\_IO\\_PROTOCOL](#). Type [EFI\\_PCI\\_ROOT\\_BRIDGE\\_IO\\_PROTOCOL](#) is defined in Section 13.2.

*Mapping* The mapping value returned from [Map\(\)](#).

### Description

The [Unmap\(\)](#) function completes the [Map\(\)](#) operation and releases any corresponding resources. If the operation was an [EfiPciOperationBusMasterWrite](#) or [EfiPciOperationBusMasterWrite64](#), the data is committed to the target system memory. Any resources used for the mapping are freed.

### Status Codes Returned

EFI_SUCCESS	The range was unmapped.
EFI_INVALID_PARAMETER	<i>Mapping</i> is not a value that was returned by <a href="#">Map()</a> .
EFI_DEVICE_ERROR	The data was not committed to the target system memory.

## EFI\_PCI\_ROOT\_BRIDGE\_IO\_PROTOCOL.AllocateBuffer()

### Summary

Allocates pages that are suitable for an **EfiPciOperationBusMasterCommonBuffer** or **EfiPciOperationBusMasterCommonBuffer64** mapping.

### Prototype

```
typedef
EFI_STATUS
(EFIAPI *EFI_PCI_ROOT_BRIDGE_IO_PROTOCOL_ALLOCATE_BUFFER) (
    IN      EFI_PCI_ROOT_BRIDGE_IO_PROTOCOL  *This,
    IN      EFI_ALLOCATE_TYPE                Type,
    IN      EFI_MEMORY_TYPE                  MemoryType,
    IN      UINTN                             Pages,
    OUT     VOID                             **HostAddress,
    IN      UINT64                             Attributes
);
```

### Parameters

<i>This</i>	A pointer to the <b>EFI_PCI_ROOT_BRIDGE_IO_PROTOCOL</b> . Type <b>EFI_PCI_ROOT_BRIDGE_IO_PROTOCOL</b> is defined in Section 13.2.1.
<i>Type</i>	This parameter is not used and must be ignored.
<i>MemoryType</i>	The type of memory to allocate, <b>EfiBootServicesData</b> or <b>EfiRuntimeServicesData</b> . Type <b>EFI_MEMORY_TYPE</b> is defined in Section 6.2, Allocate Pages().
<i>Pages</i>	The number of pages to allocate.
<i>HostAddress</i>	A pointer to store the base system memory address of the allocated range.

### *Attributes*

The requested bit mask of attributes for the allocated range. Only the attributes

**EFI\_PCI\_ATTRIBUTE\_MEMORY\_WRITE\_COMBINE**, **EFI\_PCI\_ATTRIBUTE\_MEMORY\_CACHED**, and **EFI\_PCI\_ATTRIBUTE\_DUAL\_ADDRESS\_CYCLE** may be used with this function. If any other bits are set, then **EFI\_UNSUPPORTED** is returned. This function may choose to ignore this bit mask. The **EFI\_PCI\_ATTRIBUTE\_MEMORY\_WRITE\_COMBINE**, and **EFI\_PCI\_ATTRIBUTE\_MEMORY\_CACHED** attributes provide a hint to the implementation that may improve the performance of the calling driver. The implementation may choose any default for the memory attributes including write combining, cached, both, or neither as long as the allocated buffer can be seen equally by both the processor and the PCI bus master.

## Description

The **AllocateBuffer()** function allocates pages that are suitable for an **EfiPciOperationBusMasterCommonBuffer** or **EfiPciOperationBusMasterCommonBuffer64** mapping. This means that the buffer allocated by this function must support simultaneous access by both the processor and a PCI Bus Master. The device address that the PCI Bus Master uses to access the buffer can be retrieved with a call to **Map()**.

If the **EFI\_PCI\_ATTRIBUTE\_DUAL\_ADDRESS\_CYCLE** bit of *Attributes* is set, then when the buffer allocated by this function is mapped with a call to **Map()**, the device address that is returned by **Map()** must be within the 64-bit device address space of the PCI Bus Master.

If the **EFI\_PCI\_ATTRIBUTE\_DUAL\_ADDRESS\_CYCLE** bit of *Attributes* is clear, then when the buffer allocated by this function is mapped with a call to **Map()**, the device address that is returned by **Map()** must be within the 32-bit device address space of the PCI Bus Master.

If the memory allocation specified by *MemoryType* and *Pages* cannot be satisfied, then **EFI\_OUT\_OF\_RESOURCES** is returned.

## Status Codes Returned

EFI_SUCCESS	The requested memory pages were allocated.
EFI_INVALID_PARAMETER	<i>MemoryType</i> is invalid.
EFI_INVALID_PARAMETER	<i>HostAddress</i> is <b>NULL</b> .
EFI_UNSUPPORTED	<i>Attributes</i> is unsupported. The only legal attribute bits are <b>MEMORY_WRITE_COMBINE</b> , <b>MEMORY_CACHED</b> , and <b>DUAL_ADDRESS_CYCLE</b> .
EFI_OUT_OF_RESOURCES	The memory pages could not be allocated.

## EFI\_PCI\_ROOT\_BRIDGE\_IO\_PROTOCOL.FreeBuffer()

### Summary

Frees memory that was allocated with [AllocateBuffer\(\)](#).

### Prototype

```
typedef
EFI_STATUS
(EFI_API *EFI_PCI_ROOT_BRIDGE_IO_PROTOCOL_FREE_BUFFER) (
    IN EFI_PCI_ROOT_BRIDGE_IO_PROTOCOL *This,
    IN UINTN Pages,
    IN VOID *HostAddress
);
```

### Parameters

*This* A pointer to the [EFI\\_PCI\\_ROOT\\_BRIDGE\\_IO\\_PROTOCOL](#). Type [EFI\\_PCI\\_ROOT\\_BRIDGE\\_IO\\_PROTOCOL](#) is defined in Section 13.2.

*Pages* The number of pages to free.

*HostAddress* The base system memory address of the allocated range.

### Description

The [FreeBuffer\(\)](#) function frees memory that was allocated with [AllocateBuffer\(\)](#).

### Status Codes Returned

EFI_SUCCESS	The requested memory pages were freed.
EFI_INVALID_PARAMETER	The memory range specified by <i>HostAddress</i> and <i>Pages</i> was not allocated with <a href="#">AllocateBuffer()</a> .

## EFI\_PCI\_ROOT\_BRIDGE\_IO\_PROTOCOL.Flush()

### Summary

Flushes all PCI posted write transactions from a PCI host bridge to system memory.

### Prototype

```
typedef
EFI_STATUS
(EFIAPI *EFI_PCI_ROOT_BRIDGE_IO_PROTOCOL_FLUSH) (
    IN EFI_PCI_ROOT_BRIDGE_IO_PROTOCOL *This
);
```

### Parameters

*This* A pointer to the EFI\_PCI\_ROOT\_BRIDGE\_IO\_PROTOCOL. Type EFI\_PCI\_ROOT\_BRIDGE\_IO\_PROTOCOL is defined in Section 13.2.1.

### Description

The **Flush()** function flushes any PCI posted write transactions from a PCI host bridge to system memory. Posted write transactions are generated by PCI bus masters when they perform write transactions to target addresses in system memory.

This function does not flush posted write transactions from any PCI bridges. A PCI controller specific action must be taken to guarantee that the posted write transactions have been flushed from the PCI controller and from all the PCI bridges into the PCI host bridge. This is typically done with a PCI read transaction from the PCI controller prior to calling **Flush()**.

If the PCI controller specific action required to flush the PCI posted write transactions has been performed, and this function returns **EFI\_SUCCESS**, then the PCI bus master's view and the processor's view of system memory are guaranteed to be coherent. If the PCI posted write transactions cannot be flushed from the PCI host bridge, then the PCI bus master and processor are not guaranteed to have a coherent view of system memory, and **EFI\_DEVICE\_ERROR** is returned.

### Status Codes Returned

EFI_SUCCESS	The PCI posted write transactions were flushed from the PCI host bridge to system memory.
EFI_DEVICE_ERROR	The PCI posted write transactions were not flushed from the PCI host bridge due to a hardware error.

## EFI\_PCI\_ROOT\_BRIDGE\_IO\_PROTOCOL.GetAttributes()

### Summary

Gets the attributes that a PCI root bridge supports setting with [SetAttributes\(\)](#), and the attributes that a PCI root bridge is currently using.

### Prototype

```
typedef
EFI_STATUS
(EFIAPI *EFI_PCI_ROOT_BRIDGE_IO_PROTOCOL_GET_ATTRIBUTES) (
    IN  EFI_PCI_ROOT_BRIDGE_IO_PROTOCOL  *This,
    OUT UINT64                            *Supports    OPTIONAL,
    OUT UINT64                            *Attributes  OPTIONAL
);
```

### Parameters

<i>This</i>	A pointer to the <a href="#">EFI PCI ROOT BRIDGE IO PROTOCOL</a> . Type <a href="#">EFI_PCI_ROOT_BRIDGE_IO_PROTOCOL</a> is defined in Section 13.2.
<i>Supports</i>	A pointer to the mask of attributes that this PCI root bridge supports setting with <a href="#">SetAttributes()</a> . The available attributes are listed in Section 13.2. This is an optional parameter that may be <b>NULL</b> .
<i>Attributes</i>	A pointer to the mask of attributes that this PCI root bridge is currently using. The available attributes are listed in Section 13.2. This is an optional parameter that may be <b>NULL</b> .

### Description

The [GetAttributes\(\)](#) function returns the mask of attributes that this PCI root bridge supports and the mask of attributes that the PCI root bridge is currently using. If *Supports* is not **NULL**, then *Supports* is set to the mask of attributes that the PCI root bridge supports. If *Attributes* is not **NULL**, then *Attributes* is set to the mask of attributes that the PCI root bridge is currently using. If both *Supports* and *Attributes* are **NULL**, then [EFI\\_INVALID\\_PARAMETER](#) is returned. Otherwise, [EFI\\_SUCCESS](#) is returned.

If a bit is set in *Supports*, then the PCI root bridge supports this attribute type, and a call can be made to [SetAttributes\(\)](#) using that attribute type. If a bit is set in *Attributes*, then the PCI root bridge is currently using that attribute type. Since a PCI host bus may be composed of more than one PCI root bridge, different *Attributes* values may be returned by different PCI root bridges.



## Status Codes Returned

EFI_SUCCESS	If <i>Supports</i> is not <b>NULL</b> , then the attributes that the PCI root bridge supports is returned in <i>Supports</i> . If <i>Attributes</i> is not <b>NULL</b> , then the attributes that the PCI root bridge is currently using is returned in <i>Attributes</i> .
EFI_INVALID_PARAMETER	Both <i>Supports</i> and <i>Attributes</i> are <b>NULL</b> .

## EFI\_PCI\_ROOT\_BRIDGE\_IO\_PROTOCOL.SetAttributes()

### Summary

Sets attributes for a resource range on a PCI root bridge.

### Prototype

```
typedef
EFI_STATUS
(EFIAPI *EFI_PCI_ROOT_BRIDGE_IO_PROTOCOL_SET_ATTRIBUTES) (
    IN EFI_PCI_ROOT_BRIDGE_IO_PROTOCOL  *This,
    IN UINT64                            Attributes,
    IN OUT UINT64                        *ResourceBase    OPTIONAL,
    IN OUT UINT64                        *ResourceLength  OPTIONAL
);
```

### Parameters

- This* A pointer to the **EFI\_PCI\_ROOT\_BRIDGE\_IO\_PROTOCOL**. Type **EFI\_PCI\_ROOT\_BRIDGE\_IO\_PROTOCOL** is defined in Section 13.2.
- Attributes* The mask of attributes to set. If the attribute bit **MEMORY\_WRITE\_COMBINE**, **MEMORY\_CACHED**, or **MEMORY\_DISABLE** is set, then the resource range is specified by *ResourceBase* and *ResourceLength*. If **MEMORY\_WRITE\_COMBINE**, **MEMORY\_CACHED**, and **MEMORY\_DISABLE** are not set, then *ResourceBase* and *ResourceLength* are ignored, and may be **NULL**. The available attributes are listed in Section 13.2.
- ResourceBase* A pointer to the base address of the resource range to be modified by the attributes specified by *Attributes*. On return, *\*ResourceBase* will be set the actual base address of the resource range. Not all resources can be set to a byte boundary, so the actual base address may differ from the one passed in by the caller. This parameter is only used if the **MEMORY\_WRITE\_COMBINE** bit, the **MEMORY\_CACHED** bit, or the **MEMORY\_DISABLE** bit of *Attributes* is set. Otherwise, it is ignored, and may be **NULL**.
- ResourceLength* A pointer to the length of the resource range to be modified by the attributes specified by *Attributes*. On return, *\*ResourceLength* will be set the actual length of the resource range. Not all resources can be set to a byte boundary, so the actual length may differ from the one passed in by the caller. This parameter is only used if the **MEMORY\_WRITE\_COMBINE** bit, the **MEMORY\_CACHED** bit, or the **MEMORY\_DISABLE** bit of *Attributes* is set. Otherwise, it is ignored, and may be **NULL**.

## Description

The **SetAttributes ()** function sets the attributes specified in *Attributes* for the PCI root bridge on the resource range specified by *ResourceBase* and *ResourceLength*. Since the granularity of setting these attributes may vary from resource type to resource type, and from platform to platform, the actual resource range and the one passed in by the caller may differ. As a result, this function may set the attributes specified by *Attributes* on a larger resource range than the caller requested. The actual range is returned in *ResourceBase* and *ResourceLength*. The caller is responsible for verifying that the actual range for which the attributes were set is acceptable.

If the attributes are set on the PCI root bridge, then the actual resource range is returned in *ResourceBase* and *ResourceLength*, and **EFI\_SUCCESS** is returned.

If the attributes specified by *Attributes* are not supported by the PCI root bridge, then **EFI\_UNSUPPORTED** is returned. The set of supported attributes for a PCI root bridge can be found by calling **GetAttributes ()**.

If either *ResourceBase* or *ResourceLength* are **NULL**, and a resource range is required for the attributes specified in *Attributes*, then **EFI\_INVALID\_PARAMETER** is returned.

If more than one resource range is required for the set of attributes specified by *Attributes*, then **EFI\_INVALID\_PARAMETER** is returned.

If there are not enough resources available to set the attributes, then **EFI\_OUT\_OF\_RESOURCES** is returned.

## Status Codes Returned

EFI_SUCCESS	The set of attributes specified by <i>Attributes</i> for the resource range specified by <i>ResourceBase</i> and <i>ResourceLength</i> were set on the PCI root bridge, and the actual resource range is returned in <i>ResourceBase</i> and <i>ResourceLength</i> .
EFI_UNSUPPORTED	A bit is set in <i>Attributes</i> that is not supported by the PCI Root Bridge. The supported attribute bits are reported by <u><b>GetAttributes ()</b></u> .
EFI_INVALID_PARAMETER	More than one attribute bit is set in <i>Attributes</i> that requires a resource range.
EFI_INVALID_PARAMETER	A resource range is required, and <i>ResourceBase</i> is <b>NULL</b> .
EFI_INVALID_PARAMETER	A resource range is required, and <i>ResourceLength</i> is <b>NULL</b> .
EFI_OUT_OF_RESOURCES	There are not enough resources to set the attributes on the resource range specified by <i>BaseAddress</i> and <i>Length</i> .

## EFI\_PCI\_ROOT\_BRIDGE\_IO\_PROTOCOL.Configuration()

### Summary

Retrieves the current resource settings of this PCI root bridge in the form of a set of ACPI 2.0 resource descriptors.

### Prototype

```
typedef
EFI_STATUS
(EFIAPI *EFI_PCI_ROOT_BRIDGE_IO_PROTOCOL_CONFIGURATION) (
    IN EFI_PCI_ROOT_BRIDGE_IO_PROTOCOL *This,
    OUT VOID **Resources
);
```

### Parameters

*This* A pointer to the **EFI\_PCI\_ROOT\_BRIDGE\_IO\_PROTOCOL**. Type **EFI\_PCI\_ROOT\_BRIDGE\_IO\_PROTOCOL** is defined in Section 13.2.

*Resources* A pointer to the ACPI 2.0 resource descriptors that describe the current configuration of this PCI root bridge. The storage for the ACPI 2.0 resource descriptors is allocated by this function. The caller must treat the return buffer as read-only data, and the buffer must not be freed by the caller. See “Related Definitions” for the ACPI 2.0 resource descriptors that may be used.

### Related Definitions

There are only two resource descriptor types from the *ACPI Specification* that may be used to describe the current resources allocated to a PCI root bridge. These are the QWORD Address Space Descriptor (ACPI 2.0 Section 6.4.3.5.1), and the End Tag (ACPI 2.0 Section 6.4.2.8). The QWORD Address Space Descriptor can describe memory, I/O, and bus number ranges for dynamic or fixed resources. The configuration of a PCI root bridge is described with one or more QWORD Address Space Descriptors followed by an End Tag. Table 23 and Table 83 contains these two descriptor types. Please see the *ACPI Specification* for details on the field values.

**Table 82. ACPI 2.0 QWORD Address Space Descriptor**

Byte Offset	Byte Length	Data	Description
0x00	0x01	0x8A	QWORD Address Space Descriptor
0x01	0x02	0x2B	Length of this descriptor in bytes not including the first two fields
0x03	0x01		Resource Type 0 – Memory Range 1 – I/O Range 2 – Bus Number Range
0x04	0x01		General Flags
0x05	0x01		Type Specific Flags
0x06	0x08		Address Space Granularity
0x0E	0x08		Address Range Minimum
0x16	0x08		Address Range Maximum
0x1E	0x08		Address Translation Offset
0x26	0x08		Address Length

**Table 83. ACPI 2.0 End Tag**

Byte Offset	Byte Length	Data	Description
0x00	0x01	0x79	End Tag
0x01	0x01	0x00	Checksum. If 0, then checksum is assumed to be valid.

## Description

The **Configuration()** function retrieves a set of ACPI 2.0 resource descriptors that contains the current configuration of this PCI root bridge. If the current configuration can be retrieved, then it is returned in *Resources* and **EFI\_SUCCESS** is returned. See “Related Definitions” below for the resource descriptor types that are supported by this function. If the current configuration cannot be retrieved, then **EFI\_UNSUPPORTED** is returned.

## Status Codes Returned

EFI_SUCCESS	The current configuration of this PCI root bridge was returned in <i>Resources</i> .
EFI_UNSUPPORTED	The current configuration of this PCI root bridge could not be retrieved.

## 13.2.1 PCI Root Bridge Device Paths

An **EFI\_PCI\_ROOT\_BRIDGE\_IO\_PROTOCOL** must be installed on a handle for its services to be available to drivers. In addition to the **EFI\_PCI\_ROOT\_BRIDGE\_IO\_PROTOCOL**, an **EFI\_DEVICE\_PATH\_PROTOCOL** must also be installed on the same handle. See Chapter 9 for a detailed description of **EFI\_DEVICE\_PATH\_PROTOCOL**.

Typically, an ACPI Device Path Node is used to describe a PCI Root Bridge. Depending on the bus hierarchy in the system, additional device path nodes may precede this ACPI Device Path Node. A desktop system will typically contain only one PCI Root Bridge, so there would be one handle with a **EFI\_PCI\_ROOT\_BRIDGE\_IO\_PROTOCOL** and an **EFI\_DEVICE\_PATH\_PROTOCOL**. A server system may contain multiple PCI Root Bridges, so it would contain a handle for each PCI Root Bridge present, and on each of those handles would be an **EFI\_PCI\_ROOT\_BRIDGE\_IO\_PROTOCOL** and an **EFI\_DEVICE\_PATH\_PROTOCOL**. In all cases, the contents of the ACPI Device Path Nodes for PCI Root Bridges must match the information present in the ACPI tables for that system.

Table 84 shows an example device path for a PCI Root Bridge in a desktop system. Today, a desktop system typically contains one PCI Root Bridge. This device path consists of an ACPI Device Path Node, and a Device Path End Structure. The **\_HID** and **\_UID** must match the ACPI table description of the PCI Root Bridge. For a system with only one PCI Root Bridge, the **\_UID** value is usually 0x0000. The shorthand notation for this device path is **ACPI (PNP0A03, 0)**.

**Table 84. PCI Root Bridge Device Path for a Desktop System**

Byte Offset	Byte Length	Data	Description
0x00	0x01	0x02	<b>Generic Device Path Header</b> – Type ACPI Device Path
0x01	0x01	0x01	Sub type – ACPI Device Path
0x02	0x02	0x0C	Length – 0x0C bytes
0x04	0x04	0x41D0, 0x0A03	<b>_HID</b> PNP0A03 – 0x41D0 represents a compressed string ‘PNP’ and is in the low order bytes
0x08	0x04	0x0000	<b>_UID</b>
0x0C	0x01	0xFF	<b>Generic Device Path Header</b> – Type End of Hardware Device Path
0x0D	0x01	0xFF	Sub type – End of Entire Device Path
0x0E	0x02	0x04	Length – 0x04 bytes

Table 85 through Table 88 show example device paths for the PCI Root Bridges in a server system with four PCI Root Bridges. Each of these device paths consists of an ACPI Device Path Node, and a Device Path End Structure. The \_HID and \_UID must match the ACPI table description of the PCI Root Bridges. The only difference between each of these device paths is the \_UID field. The shorthand notation for these four device paths is **ACPI (PNP0A03, 0)**, **ACPI (PNP0A03, 1)**, **ACPI (PNP0A03, 2)**, and **ACPI (PNP0A03, 3)**.

**Table 85. PCI Root Bridge Device Path for Bridge #0 in a Server System**

Byte Offset	Byte Length	Data	Description
0x00	0x01	0x02	<b>Generic Device Path Header</b> – Type ACPI Device Path
0x01	0x01	0x01	Sub type – ACPI Device Path
0x02	0x02	0x0C	Length – 0x0C bytes
0x04	0x04	0x41D0, 0x0A03	_HID PNP0A03 – 0x41D0 represents a compressed string 'PNP' and is in the low order bytes
0x08	0x04	0x0000	_UID
0x0C	0x01	0xFF	<b>Generic Device Path Header</b> – Type End of Hardware Device Path
0x0D	0x01	0xFF	Sub type – End of Entire Device Path
0x0E	0x02	0x04	Length – 0x04 bytes

**Table 86. PCI Root Bridge Device Path for Bridge #1 in a Server System**

Byte Offset	Byte Length	Data	Description
0x00	0x01	0x02	<b>Generic Device Path Header</b> – Type ACPI Device Path
0x01	0x01	0x01	Sub type – ACPI Device Path
0x02	0x02	0x0C	Length – 0x0C bytes
0x04	0x04	0x41D0, 0x0A03	_HID PNP0A03 – 0x41D0 represents a compressed string 'PNP' and is in the low order bytes
0x08	0x04	0x0001	_UID
0x0C	0x01	0xFF	<b>Generic Device Path Header</b> – Type End of Hardware Device Path
0x0D	0x01	0xFF	Sub type – End of Entire Device Path
0x0E	0x02	0x04	Length – 0x04 bytes

**Table 87. PCI Root Bridge Device Path for Bridge #2 in a Server System**

Byte Offset	Byte Length	Data	Description
0x00	0x01	0x02	<b>Generic Device Path Header</b> – Type ACPI Device Path
0x01	0x01	0x01	Sub type – ACPI Device Path
0x02	0x02	0x0C	Length – 0x0C bytes
0x04	0x04	0x41D0, 0x0A03	_HID PNP0A03 – 0x41D0 represents a compressed string ‘PNP’ and is in the low order bytes
0x08	0x04	0x0002	_UID
0x0C	0x01	0xFF	<b>Generic Device Path Header</b> – Type End of Hardware Device Path
0x0D	0x01	0xFF	Sub type – End of Entire Device Path
0x0E	0x02	0x04	Length – 0x04 bytes

**Table 88. PCI Root Bridge Device Path for Bridge #3 in a Server System**

Byte Offset	Byte Length	Data	Description
0x00	0x01	0x02	<b>Generic Device Path Header</b> – Type ACPI Device Path
0x01	0x01	0x01	Sub type – ACPI Device Path
0x02	0x02	0x0C	Length – 0x0C bytes
0x04	0x04	0x41D0, 0x0A03	_HID PNP0A03 – 0x41D0 represents a compressed string ‘PNP’ and is in the low order bytes.
0x08	0x04	0x0003	_UID
0x0C	0x01	0xFF	<b>Generic Device Path Header</b> – Type End of Hardware Device Path
0x0D	0x01	0xFF	Sub type – End of Entire Device Path
0x0E	0x02	0x04	Length – 0x04 bytes



Table 89 shows an example device path for a PCI Root Bridge using an Expanded ACPI Device Path. This device path consists of an Expanded ACPI Device Path Node, and a Device Path End Structure. The `_UID` and `_CID` fields must match the ACPI table description of the PCI Root Bridge. For a system with only one PCI Root Bridge, the `_UID` value is usually `0x0000`. The shorthand notation for this device path is **ACPI (12345678, 0, PNP0A03)**.

**Table 89. PCI Root Bridge Device Path Using Expanded ACPI Device Path**

Byte Offset	Byte Length	Data	Description
0x00	0x01	0x02	<b>Generic Device Path Header</b> – Type ACPI Device Path
0x01	0x01	0x02	Sub type – Expanded ACPI Device Path
0x02	0x02	0x10	Length – 0x10 bytes
0x04	0x04	<b>0x1234, 0x5678</b>	<code>_HID</code> -device specific
0x08	0x04	0x0000	<code>_UID</code>
<b>0x0C</b>	<b>0x04</b>	0x41D0, 0x0A03	<code>_CID</code> PNP0A03 – 0x41D0 represents a compressed string ‘PNP’ and is in the low order bytes.
0x10	0x01	0xFF	<b>Generic Device Path Header</b> – Type End of Hardware Device Path
0x11	0x01	0xFF	Sub type – End of Entire Device Path
0x12	0x02	0x04	Length – 0x04 bytes

## 13.3 PCI Driver Model

These sections (Sections 13.3 and 13.4) describe the PCI Driver Model. This includes the behavior of PCI Bus Drivers, the behavior of a PCI Device Drivers, and a detailed description of the PCI I/O Protocol. The PCI Bus Driver manages PCI buses present in a system, and PCI Device Drivers manage PCI controllers present on PCI buses. The PCI Device Drivers produce an I/O abstraction that can be used to boot an EFI compliant operating system.

This document provides enough material to implement a PCI Bus Driver, and the tools required to design and implement a PCI Device Drivers. It does not provide any information on specific PCI devices.

The material contained in this section is designed to extend this specification and the *UEFI Driver Model* in a way that supports PCI device drivers and PCI bus drivers. These extensions are provided in the form of PCI-specific protocols. This section provides the information required to implement a PCI Bus Driver in system firmware. The section also contains the information required by driver writers to design and implement PCI Device Drivers that a platform may need to boot a UEFI-compliant OS.

The PCI Driver Model described here is intended to be a foundation on which a PCI Bus Driver and a wide variety of PCI Device Drivers can be created.

### 13.3.1 PCI Driver Initialization

There are very few differences between a PCI Bus Driver and PCI Device Driver in the entry point of the driver. The file for a driver image must be loaded from some type of media. This could include ROM, FLASH, hard drives, floppy drives, CD-ROM, or even a network connection. Once a driver image has been found, it can be loaded into system memory with the Boot Service **LoadImage ()**. **LoadImage ()** loads a PE/COFF formatted image into system memory. A handle is created for the driver, and a Loaded Image Protocol instance is placed on that handle. A handle that contains a Loaded Image Protocol instance is called an *Image Handle*. At this point, the driver has not been started. It is just sitting in memory waiting to be started. Figure 33 shows the state of an image handle for a driver after **LoadImage ()** has been called.

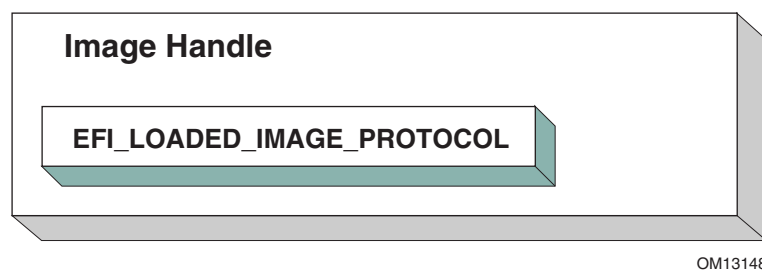
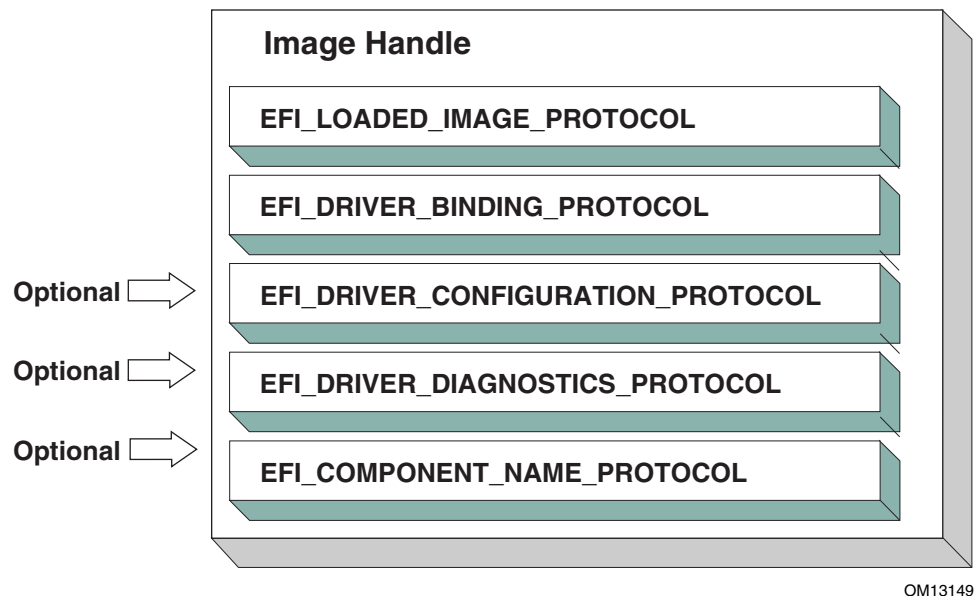


Figure 33. Image Handle

After a driver has been loaded with the Boot Service **LoadImage ()**, it must be started with the Boot Service **StartImage ()**. This is true of all types of applications and drivers that can be loaded and started on a UEFI compliant system. The entry point for a driver that follows the UEFI Driver Model must follow some strict rules. First, it is not allowed to touch any hardware. Instead, it is only allowed to install protocol instances onto its own *Image Handle*. A driver that follows the UEFI Driver Model is *required* to install an instance of the Driver Binding Protocol onto its own *Image Handle*. It may optionally install the Driver Configuration Protocol, the Driver Diagnostics Protocol, or the Component Name Protocol. In addition, if a driver wishes to be unloadable it may optionally update the Loaded Image Protocol to provide its own **Unload ()** function. Finally, if a driver needs to perform any special operations when the Boot Service **ExitBootServices ()** is called, it may optionally create an event with a notification function that is triggered when the Boot Service **ExitBootServices ()** is called. An *Image Handle* that contains a Driver Binding Protocol instance is known as a *Driver Image Handle*. Figure 34 shows a possible configuration for the *Image Handle* from Figure 33 after the Boot Service **StartImage ()** has been called.



**Figure 34. PCI Driver Image Handle**

### 13.3.1.1 Driver Configuration Protocol

If a PCI Bus Driver or a PCI Device Driver requires configuration options, then an **EFI DRIVER CONFIGURATION PROTOCOL** must be installed on the image handle in the entry point for the driver. This protocol contains functions set the configuration information for a controller, validate the current configuration data, and force the configuration data to its default settings. The **EFI\_DRIVER\_CONFIGURATION\_PROTOCOL** must use the standard console devices from the **EFI\_SYSTEM\_TABLE** to interact with the user. The functions of this protocol will be invoked by a platform management utility. Please see the *EFI Driver Model Specification* for details on the **EFI\_DRIVER\_CONFIGURATION\_PROTOCOL**. Neither this specification, nor the *EFI Driver Model Specification* specifies where configuration data is stored. It is up to the driver writer to decide the appropriate location for configuration data. Some possible locations include a FLASH device or EEPROM device that is attached to the PCI controller, or environment variables accessed through the Runtime Services **GetVariable()** and **SetVariable()**.

### 13.3.1.2 Driver Diagnostics Protocol

If a PCI Bus Driver or a PCI Device Driver requires diagnostics, then an **EFI DRIVER DIAGNOSTICS PROTOCOL** must be installed on the image handle in the entry point for the driver. This protocol contains functions to perform diagnostics on a controller. The **EFI\_DRIVER\_DIAGNOSTICS\_PROTOCOL** is not allowed to interact with the user. Instead, it must return status information through a buffer. The functions of this protocol will be invoked by a platform management utility. Please see the *EFI Driver Model Specification* for details on the **EFI\_DRIVER\_DIAGNOSTICS\_PROTOCOL**.

### 13.3.1.3 Component Name Protocol

Both a PCI Bus Driver and a PCI Device Driver are able to produce user readable names for the PCI drivers and/or the set of PCI controllers that the PCI drivers are managing. This is accomplished by installing an instance of the **EFI\_COMPONENT\_NAME\_PROTOCOL** on the image handle of the driver. This protocol can produce driver and controller names in the form of a Unicode string in one of several languages. This protocol can be used by a platform management utility to display user readable names for the drivers and controllers present in a system. Please see the *EFI Driver Model Specification* for details on the **EFI\_COMPONENT\_NAME\_PROTOCOL**.

### 13.3.2 PCI Bus Drivers

A PCI Bus Driver manages PCI Host Bus Controllers that can contain one or more PCI Root Bridges. Figure 35 shows an example of a desktop system that has one PCI Host Bus Controller with one PCI Root Bridge.

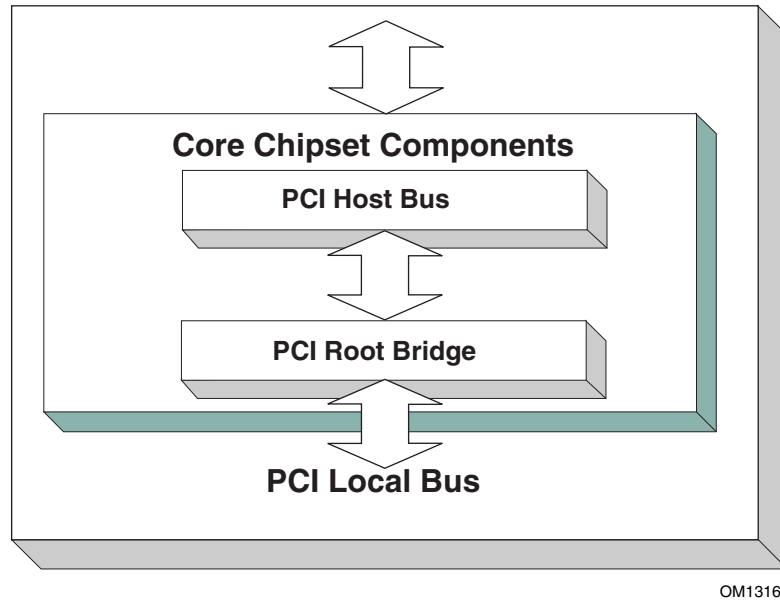


Figure 35. PCI Host Bus Controller

The PCI Host Bus Controller in Figure 35 is abstracted in software with the PCI Root Bridge I/O Protocol. A PCI Bus Driver will manage handles that contain this protocol. Figure 36 shows an example device handle for a PCI Host Bus Controller. It contains a Device Path Protocol instance and a PCI Root Bridge I/O Protocol Instance.

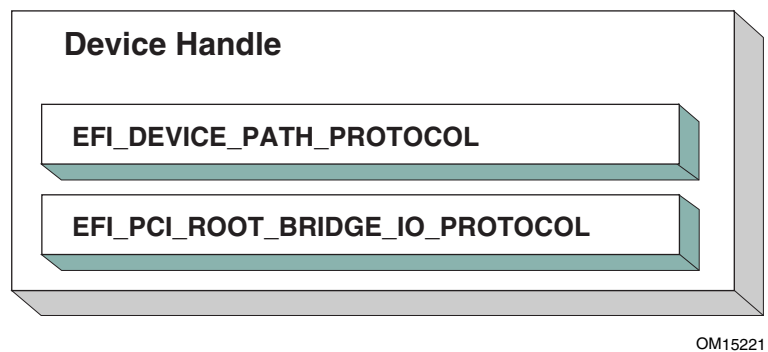
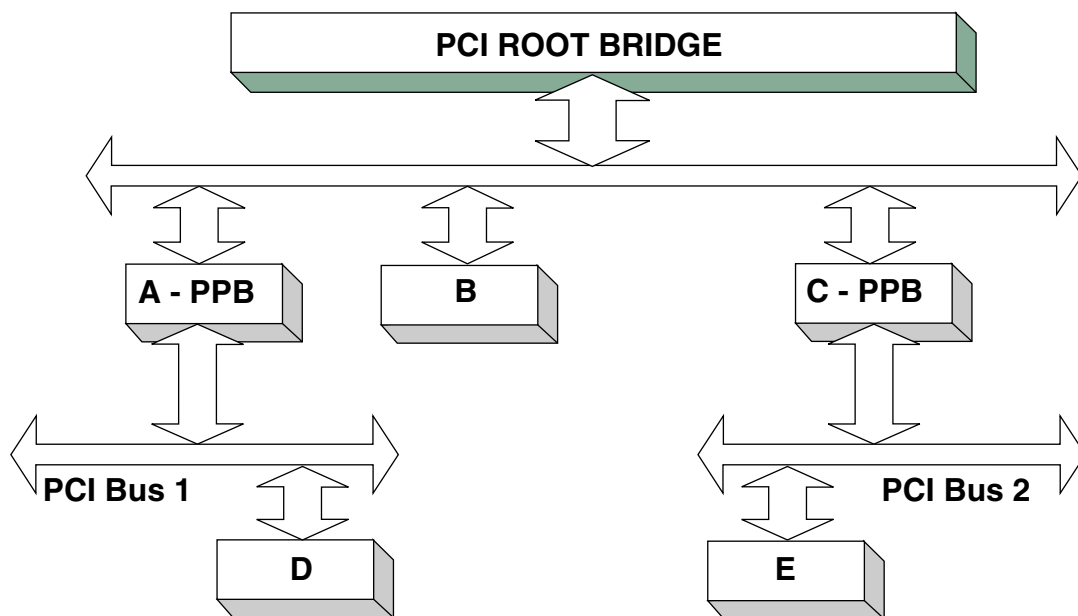


Figure 36. Device Handle for a PCI Host Bus Controller

### 13.3.2.1 Driver Binding Protocol for PCI Bus Drivers

The Driver Binding Protocol contains three services. These are **Supported()**, **Start()**, and **Stop()**. **Supported()** tests to see if the PCI Bus Driver can manage a device handle. A PCI Bus Driver can only manage device handles that contain the Device Path Protocol and the PCI Root Bridge I/O Protocol, so a PCI Bus Driver must look for these two protocols on the device handle that is being tested.

The **Start()** function tells the PCI Bus Driver to start managing a device handle. The device handle should support the protocols shown in Figure 36. The PCI Root Bridge I/O Protocols provides access to the PCI I/O, PCI Memory, PCI Prefetchable Memory, and PCI DMA functions. The PCI Controllers behind a PCI Root Bridge may exist on one or more PCI Buses. The standard mechanism for expanding the number of PCI Buses on a single PCI Root Bridge is to use PCI to PCI Bridges. Once a PCI Enumerator configures these bridges, they are invisible to software. As a result, the PCI Bus Driver flattens the PCI Bus hierarchy when it starts managing a device handle that represents a PCI Host Controller. Figure 37 shows the physical tree structure for a set of PCI Device denoted by A, B, C, D, and E. Device A and C are PCI to PCI Bridges.

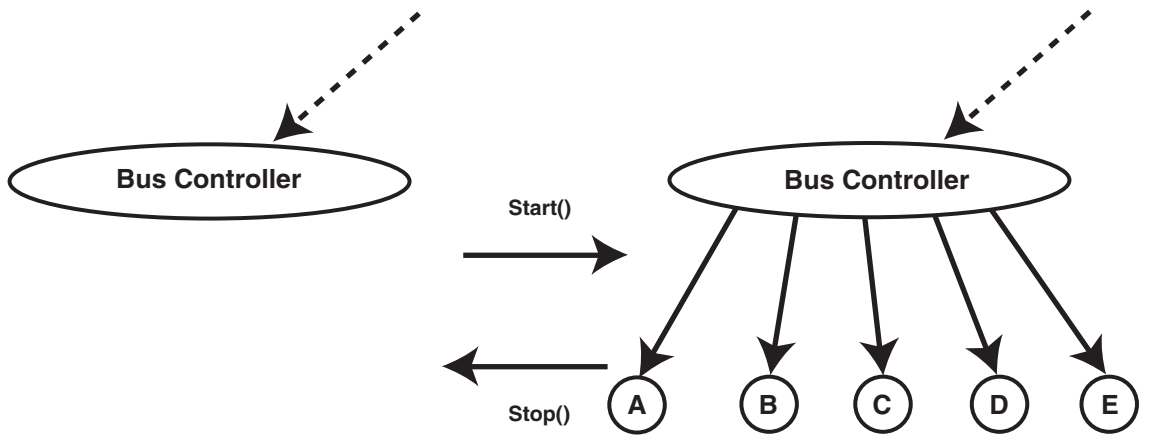


OM13166

**Figure 37. Physical PCI Bus Structure**

Figure 38 shows the tree structure generated by a PCI Bus Driver before and after **Start()** is called. This is a logical view of set of PCI controller, and not a physical view. The physical tree is flattened, so any PCI to PCI bridge devices are invisible. In this example, the PCI Bus Driver finds the five child PCI Controllers on the PCI Bus from Figure 37. A device handle is created for every PCI Controller including all the PCI to PCI Bridges. The arrow with the dashed line coming into the PCI Host Bus Controller represents a link to the PCI Host Bus Controller's parent. If the PCI Host Bus Controller is a Root Bus Controller, then it will not have a parent. The PCI Driver Model does not require that a PCI Host Bus Controller be a Root Bus Controller. A PCI Host Bus

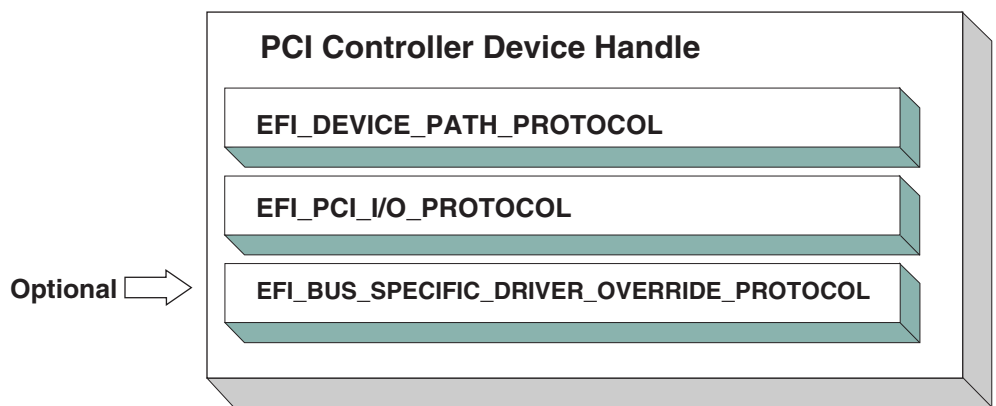
Controller can be present at any location in the tree, and the PCI Bus Driver should be able to manage the PCI Host Bus Controller.



OM13153

**Figure 38. Connecting a PCI Bus Driver**

The PCI Bus Driver has the option of creating all of its children in one call to **Start()**, or spreading it across several calls to **Start()**. In general, if it is possible to design a bus driver to create one child at a time, it should do so to support the rapid boot capability in the UEFI Driver Model. Each of the child device handles created in **Start()** must contain a Device Path Protocol instance, a PCI I/O protocol instance, and optionally a Bus Specific Driver Override Protocol instance. The PCI I/O Protocol is described in Section 13.4. The format of device paths for PCI Controllers is described in Section 2.6, and details on the Bus Specific Driver Override Protocol can be found in the *EFI Driver Model Specification*. Figure 39 shows an example child device handle that is created by a PCI Bus Driver for a PCI Controller.



OM13167

**Figure 39. Child Handle Created by a PCI Bus Driver**

A PCI Bus Driver must perform several steps to manage a PCI Host Bus Controller, as follows:

- Initialize the PCI Host Bus Controller.
- If the PCI buses have not been initialized by a previous agent, perform PCI Enumeration on all the PCI Root Bridges that the PCI Host Bus Controller contains. This involves assigning a PCI bus number, allocating PCI I/O resources, PCI Memory resources, and PCI Prefetchable Memory resources.
- Discover all the PCI Controllers on all the PCI Root Bridges. If a PCI Controller is a PCI to PCI Bridge, then the I/O, Memory, and Bus Master bits in the Control register of the PCI Configuration Header should be placed in the enabled state. The PCI Bus Driver should not modify the contents of the Control register for any other PCI Controllers. It is a PCI Device Driver's responsibility to enable the I/O, Memory, and Bus Master bits of the Control register as required with a call to the **Attributes ()** service when the PCI Device Driver is started. A similar call to the **Attributes ()** service should be made when the PCI Device Driver is stopped to disable the I/O, Memory, and Bus Master bits of the Control register.
- Create a device handle for each PCI Controller found. If a request is being made to start only one PCI Controller, then only create one device handle.
- Install a Device Path Protocol instance and a PCI I/O Protocol instance on the device handle created for each PCI Controller.
- If the PCI Controller has a PCI Option ROM, then allocate a memory buffer that is the same size as the PCI Option ROM, and copy the PCI Option ROM contents to the memory buffer.
- If the PCI Option ROM contains any UEFI drivers, then attach a Bus Specific Driver Override Protocol to the device handle of the PCI Controller that is associated with the PCI Option ROM.

The **Stop ()** function tells the PCI Bus Driver to stop managing a PCI Host Bus Controller. The **Stop ()** function can destroy one or more of the device handles that were created on a previous call to **Start ()**. If all of the child device handles have been destroyed, then **Stop ()** will place the PCI Host Bus Controller in a quiescent state. The functionality of **Stop ()** mirrors **Start ()**, as follows:

1. Complete all outstanding transactions to the PCI Host Bus Controller.
2. If the PCI Host Bus Controller is being stopped, then place it in a quiescent state.
3. If one or more child handles are being destroyed, then:
  - a. Uninstall all the protocols from the device handles for the PCI Controllers found in **Start ()**.
  - b. Free any memory buffers allocated for PCI Option ROMs.
  - c. Destroy the device handles for the PCI controllers created in **Start ()**.



### 13.3.2.2 PCI Enumeration

The PCI Enumeration process is a platform-specific operation that depends on the properties of the chipset that produces the PCI bus. As a result, details on PCI Enumeration are outside the scope of this document. A PCI Bus Driver requires that PCI Enumeration has been performed, so it either needs to have been done prior to the PCI Bus Driver starting, or it must be part of the PCI Bus Driver's implementation.

### 13.3.3 PCI Device Drivers

PCI Device Drivers manage PCI Controllers. Device handles for PCI Controllers are created by PCI Bus Drivers. A PCI Device Driver is not allowed to create any new device handles. Instead, it attaches protocol instance to the device handle of the PCI Controller. These protocol instances are I/O abstractions that allow the PCI Controller to be used in the preboot environment. The most common I/O abstractions are used to boot an EFI compliant OS.

#### 13.3.3.1 Driver Binding Protocol for PCI Device Drivers

The Driver Binding Protocol contains three services. These are **Supported()**, **Start()**, and **Stop()**. **Supported()** tests to see if the PCI Device Driver can manage a device handle. A PCI Device Driver can only manage device handles that contain the Device Path Protocol and the PCI I/O Protocol, so a PCI Device Driver must look for these two protocols on the device handle that is being tested. In addition, it needs to check to see if the device handle represents a PCI Controller that the PCI Device Driver knows how to manage. This is typically done by using the services of the PCI I/O Protocol to read the PCI Configuration Header for the PCI Controller, and looking at the *VendorId*, *DeviceId*, and *SubsystemId* fields.

The **Start()** function tells the PCI Device Driver to start managing a PCI Controller. A PCI Device Driver is not allowed to create any new device handles. Instead, it installs one or more addition protocol instances on the device handle for the PCI Controller. A PCI Device Driver is not allowed to modify the resources allocated to a PCI Controller. These resource allocations are owned by the PCI Bus Driver or some other firmware component that initialized the PCI Bus prior to the execution of the PCI Bus Driver. This means that the PCI BARs (Base Address Registers) and the configuration of any PCI to PCI bridge controllers must not be modified by a PCI Device Driver. A PCI Bus Driver will leave a PCI Device in a disabled state. It is a PCI Device Driver's responsibility to call **Attributes()** to enable the I/O, Memory, and Bus Master decodes.

The **Stop()** function mirrors the **Start()** function, so the **Stop()** function completes any outstanding transactions to the PCI Controller and removes the protocol interfaces that were installed in **Start()**. Figure 40 shows the device handle for a PCI Controller before and after **Start()** is called. In this example, a PCI Device Driver is adding the Block I/O Protocol to the device handle for the PCI Controller. It is also a PCI Device Driver's responsibility to disable the I/O, Memory, and Bus Master decodes by calling **Attributes()**.

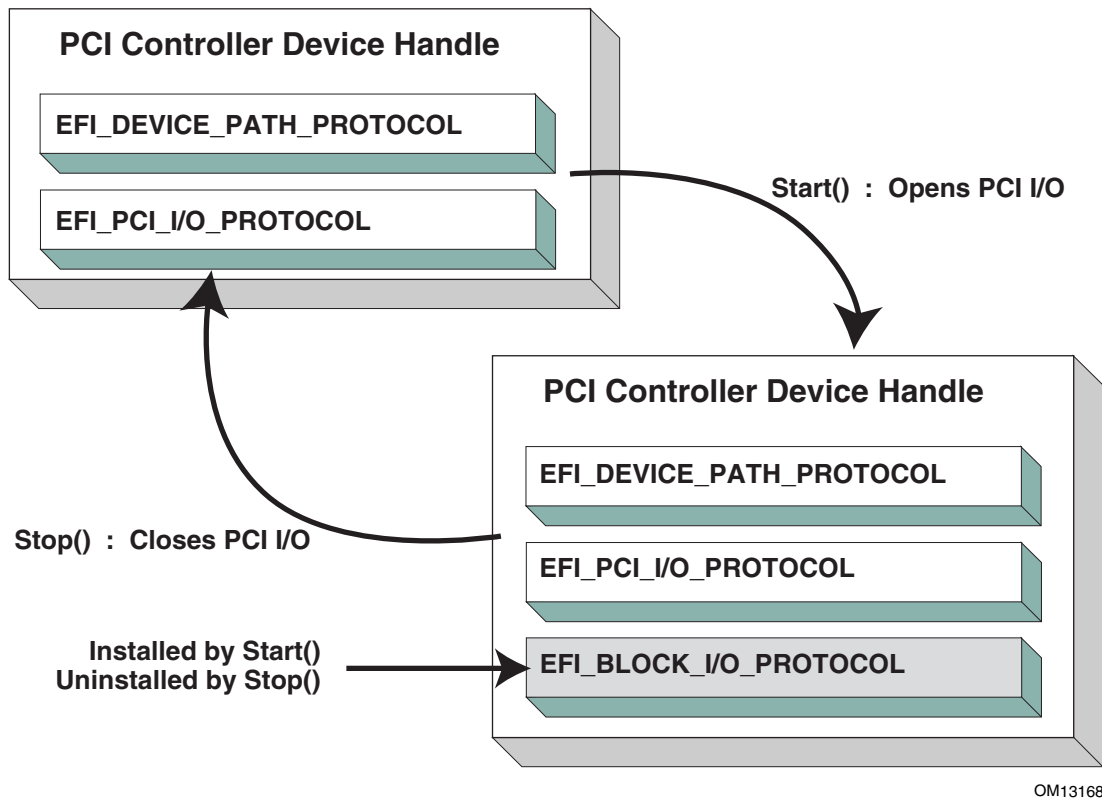


Figure 40. Connecting a PCI Device Driver

## 13.4 EFI PCI I/O Protocol

This section provides a detailed description of the **EFI\_PCI\_IO\_PROTOCOL**. This protocol is used by code, typically drivers, running in the EFI boot services environment to access memory and I/O on a PCI controller. In particular, functions for managing devices on PCI buses are defined here.

The interfaces provided in the **EFI\_PCI\_IO\_PROTOCOL** are for performing basic operations to memory, I/O, and PCI configuration space. The system provides abstracted access to basic system resources to allow a driver to have a programmatic method to access these basic system resources. The main goal of this protocol is to provide an abstraction that simplifies the writing of device drivers for PCI devices. This goal is accomplished by providing the following features:

- A driver model that does not require the driver to search the PCI busses for devices to manage. Instead, drivers are provided the location of the device to manage or have the capability to be notified when a PCI controller is discovered.
- A device driver model that abstracts the I/O addresses, Memory addresses, and PCI Configuration addresses from the PCI device driver. Instead, BAR (Base Address Register) relative addressing is used for I/O and Memory accesses, and device relative addressing is used for PCI Configuration accesses. The BAR relative addressing is specified in the PCI I/O services as a BAR index. A PCI controller may contain a combination of 32-bit and 64-bit BARs. The BAR index represents the logical BAR number in the standard PCI configuration header starting from the first BAR. The BAR index does not represent an offset into the standard PCI Configuration Header because those offsets will vary depending on the combination and order of 32-bit and 64-bit BARs.
- The Device Path for the PCI device can be obtained from the same device handle that the **EFI\_PCI\_IO\_PROTOCOL** resides.
- The PCI Segment, PCI Bus Number, PCI Device Number, and PCI Function Number of the PCI device if they are required. The general idea is to abstract these details away from the PCI device driver. However, if these details are required, then they are available.
- Details on any nonstandard address decoding that is not covered by the PCI device's Base Address Registers.
- Access to the PCI Root Bridge I/O Protocol for the PCI Host Bus for which the PCI device is a member.
- A copy of the PCI Option ROM if it is present in system memory.
- Functions to perform bus mastering DMA. This includes both packet based DMA and common buffer DMA.

## EFI\_PCI\_IO\_PROTOCOL

### Summary

Provides the basic Memory, I/O, PCI configuration, and DMA interfaces that a driver uses to access its PCI controller.

### GUID

```
#define EFI_PCI_IO_PROTOCOL_GUID \
    {0x4cf5b200, 0x68b8, 0x4ca5, 0x9e, 0xec, 0xb2, 0x3e, 0x3f, 0x50, \
    0x2, 0x9a}
```

### Protocol Interface Structure

```
typedef struct _EFI_PCI_IO_PROTOCOL {
    EFI_PCI_IO_PROTOCOL_POLL_IO_MEM      PollMem;
    EFI_PCI_IO_PROTOCOL_POLL_IO_MEM      PollIo;
    EFI_PCI_IO_PROTOCOL_ACCESS            Mem;
    EFI_PCI_IO_PROTOCOL_ACCESS            Io;
    EFI_PCI_IO_PROTOCOL_CONFIG_ACCESS     Pci;
    EFI_PCI_IO_PROTOCOL_COPY_MEM          CopyMem;
    EFI_PCI_IO_PROTOCOL_MAP               Map;
    EFI_PCI_IO_PROTOCOL_UNMAP             Unmap;
    EFI_PCI_IO_PROTOCOL_ALLOCATE_BUFFER   AllocateBuffer;
    EFI_PCI_IO_PROTOCOL_FREE_BUFFER       FreeBuffer;
    EFI_PCI_IO_PROTOCOL_FLUSH             Flush;
    EFI_PCI_IO_PROTOCOL_GET_LOCATION      GetLocation;
    EFI_PCI_IO_PROTOCOL_ATTRIBUTES        Attributes;
    EFI_PCI_IO_PROTOCOL_GET_BAR_ATTRIBUTES GetBarAttributes;
    EFI_PCI_IO_PROTOCOL_SET_BAR_ATTRIBUTES SetBarAttributes;
    UINT64                                 RomSize;
    VOID                                    *RomImage;
} EFI_PCI_IO_PROTOCOL;
```

### Parameters

<i>PollMem</i>	Polls an address in PCI memory space until an exit condition is met, or a timeout occurs. See the <a href="#"><u>PollMem()</u></a> function description.
<i>PollIo</i>	Polls an address in PCI I/O space until an exit condition is met, or a timeout occurs. See the <a href="#"><u>PollIo()</u></a> function description.
<i>Mem.Read</i>	Allows BAR relative reads to PCI memory space. See the <a href="#"><u>Mem.Read()</u></a> function description.
<i>Mem.Write</i>	Allows BAR relative writes to PCI memory space. See the <a href="#"><u>Mem.Write()</u></a> function description.
<i>Io.Read</i>	Allows BAR relative reads to PCI I/O space. See the <a href="#"><u>Io.Read()</u></a> function description.

<i>Io.Write</i>	Allows BAR relative writes to PCI I/O space. See the <a href="#"><u>Io.Write()</u></a> function description.
<i>Pci.Read</i>	Allows PCI controller relative reads to PCI configuration space. See the <a href="#"><u>Pci.Read()</u></a> function description.
<i>Pci.Write</i>	Allows PCI controller relative writes to PCI configuration space. See the <a href="#"><u>Pci.Write()</u></a> function description.
<i>CopyMem</i>	Allows one region of PCI memory space to be copied to another region of PCI memory space. See the <a href="#"><u>CopyMem()</u></a> function description.
<i>Map</i>	Provides the PCI controller-specific address needed to access system memory for DMA. See the <a href="#"><u>Map()</u></a> function description.
<i>Unmap</i>	Releases any resources allocated by <a href="#"><u>Map()</u></a> . See the <a href="#"><u>Unmap()</u></a> function description.
<i>AllocateBuffer</i>	Allocates pages that are suitable for a common buffer mapping. See the <a href="#"><u>AllocateBuffer()</u></a> function description.
<i>FreeBuffer</i>	Frees pages that were allocated with <a href="#"><u>AllocateBuffer()</u></a> . See the <a href="#"><u>FreeBuffer()</u></a> function description.
<i>Flush</i>	Flushes all PCI posted write transactions to system memory. See the <a href="#"><u>Flush()</u></a> function description.
<i>GetLocation</i>	Retrieves this PCI controller's current PCI bus number, device number, and function number. See the <a href="#"><u>GetLocation()</u></a> function description.
<i>Attributes</i>	Performs an operation on the attributes that this PCI controller supports. The operations include getting the set of supported attributes, retrieving the current attributes, setting the current attributes, enabling attributes, and disabling attributes. See the <a href="#"><u>Attributes()</u></a> function description.
<i>GetBarAttributes</i>	Gets the attributes that this PCI controller supports setting on a BAR using <a href="#"><u>SetBarAttributes()</u></a> , and retrieves the list of resource descriptors for a BAR. See the <a href="#"><u>GetBarAttributes()</u></a> function description.
<i>SetBarAttributes</i>	Sets the attributes for a range of a BAR on a PCI controller. See the <a href="#"><u>SetBarAttributes()</u></a> function description.
<i>RomSize</i>	The size, in bytes, of the ROM image.

*RomImage*

A pointer to the in memory copy of the ROM image. The PCI Bus Driver is responsible for allocating memory for the ROM image, and copying the contents of the ROM to memory. The contents of this buffer are either from the PCI option ROM that can be accessed through the ROM BAR of the PCI controller, or it is from a platform-specific location. The **Attributes()** function can be used to determine from which of these two sources the *RomImage* buffer was initialized.

## Related Definitions

```

//*****
// EFI_PCI_IO_PROTOCOL_WIDTH
//*****
typedef enum {
    EfiPciIoWidthUint8,
    EfiPciIoWidthUint16,
    EfiPciIoWidthUint32,
    EfiPciIoWidthUint64,
    EfiPciIoWidthFifoUint8,
    EfiPciIoWidthFifoUint16,
    EfiPciIoWidthFifoUint32,
    EfiPciIoWidthFifoUint64,
    EfiPciIoWidthFillUint8,
    EfiPciIoWidthFillUint16,
    EfiPciIoWidthFillUint32,
    EfiPciIoWidthFillUint64,
    EfiPciIoWidthMaximum
} EFI_PCI_IO_PROTOCOL_WIDTH;

#define EFI_PCI_IO_PASS_THROUGH_BAR    0xff

//*****
// EFI_PCI_IO_PROTOCOL_POLL_IO_MEM
//*****
typedef
EFI_STATUS
(EFIAPI *EFI_PCI_IO_PROTOCOL_POLL_IO_MEM) (
    IN struct EFI_PCI_IO_PROTOCOL *This,
    IN EFI_PCI_IO_PROTOCOL_WIDTH Width,
    IN UINT8 BarIndex,
    IN UINT64 Offset,
    IN UINT64 Mask,
    IN UINT64 Value,
    IN UINT64 Delay,
    OUT UINT64 *Result
);

```

```

//*****
// EFI_PCI_IO_PROTOCOL_IO_MEM
//*****
typedef
EFI_STATUS
(EFIAPI *EFI_PCI_IO_PROTOCOL_IO_MEM) (
    IN      EFI_PCI_IO_PROTOCOL      *This,
    IN      EFI_PCI_IO_PROTOCOL_WIDTH Width,
    IN      UINT8                    BarIndex,
    IN      UINT64                   Offset,
    IN      UINTN                    Count,
    IN OUT VOID                      *Buffer
);

//*****
// EFI_PCI_IO_PROTOCOL_ACCESS
//*****
typedef struct {
    EFI_PCI_IO_PROTOCOL_IO_MEM Read;
    EFI_PCI_IO_PROTOCOL_IO_MEM Write;
} EFI_PCI_IO_PROTOCOL_ACCESS;

//*****
// EFI_PCI_IO_PROTOCOL_CONFIG
//*****
typedef
EFI_STATUS
(EFIAPI *EFI_PCI_IO_PROTOCOL_CONFIG) (
    IN      EFI_PCI_IO_PROTOCOL      *This,
    IN      EFI_PCI_IO_PROTOCOL_WIDTH Width,
    IN      UINT32                   Offset,
    IN      UINTN                    Count,
    IN OUT VOID                      *Buffer
);

//*****
// EFI_PCI_IO_PROTOCOL_CONFIG_ACCESS
//*****
typedef struct {
    EFI_PCI_IO_PROTOCOL_CONFIG Read;
    EFI_PCI_IO_PROTOCOL_CONFIG Write;
} EFI_PCI_IO_PROTOCOL_CONFIG_ACCESS;

```

```

//*****
// EFI PCI I/O Protocol Attribute bits
//*****
#define EFI_PCI_IO_ATTRIBUTE_ISA_MOTHERBOARD_IO    0x0001
#define EFI_PCI_IO_ATTRIBUTE_ISA_IO                0x0002
#define EFI_PCI_IO_ATTRIBUTE_VGA_PALETTE_IO        0x0004
#define EFI_PCI_IO_ATTRIBUTE_VGA_MEMORY            0x0008
#define EFI_PCI_IO_ATTRIBUTE_VGA_IO                0x0010
#define EFI_PCI_IO_ATTRIBUTE_IDE_PRIMARY_IO        0x0020
#define EFI_PCI_IO_ATTRIBUTE_IDE_SECONDARY_IO      0x0040
#define EFI_PCI_IO_ATTRIBUTE_MEMORY_WRITE_COMBINE 0x0080
#define EFI_PCI_IO_ATTRIBUTE_IO                    0x0100
#define EFI_PCI_IO_ATTRIBUTE_MEMORY                0x0200
#define EFI_PCI_IO_ATTRIBUTE_BUS_MASTER            0x0400
#define EFI_PCI_IO_ATTRIBUTE_MEMORY_CACHED         0x0800
#define EFI_PCI_IO_ATTRIBUTE_MEMORY_DISABLE        0x1000
#define EFI_PCI_IO_ATTRIBUTE_EMBEDDED_DEVICE       0x2000
#define EFI_PCI_IO_ATTRIBUTE_EMBEDDED_ROM          0x4000
#define EFI_PCI_IO_ATTRIBUTE_DUAL_ADDRESS_CYCLE    0x8000
#define EFI_PCI_IO_ATTRIBUTE_ISA_IO_16             0x10000
#define EFI_PCI_IO_ATTRIBUTE_VGA_PALETTE_IO_16    0x20000
#define EFI_PCI_IO_ATTRIBUTE_VGA_IO_16            0x40000

```

#### **EFI\_PCI\_IO\_ATTRIBUTE\_ISA\_IO\_16**

If this bit is set, then the PCI I/O cycles between 0x100 and 0x3FF are forwarded to the PCI controller using a 16-bit address decoder on address bits 0..15. Address bits 16..31 must be zero. This bit is used to forward I/O cycles for legacy ISA devices. If this bit is set, then the PCI Host Bus Controller and all the PCI to PCI bridges between the PCI Host Bus Controller and the PCI Controller are configured to forward these PCI I/O cycles. This bit may not be combined with **EFI\_PCI\_IO\_ATTRIBUTE\_ISA\_IO**.

#### **EFI\_PCI\_IO\_ATTRIBUTE\_VGA\_PALETTE\_IO\_16**

If this bit is set, then the PCI I/O write cycles for 0x3C6, 0x3C8, and 0x3C9 are forwarded to the PCI controller using a 16-bit address decoder on address bits 0..15. Address bits 16..31 must be zero. This bit is used to forward I/O write cycles to the VGA palette registers on a PCI controller. If this bit is set, then the PCI Host Bus Controller and all the PCI to PCI bridges between the PCI Host Bus Controller and the PCI Controller are configured to forward these PCI I/O cycles. This bit may not be combined with **EFI\_PCI\_IO\_ATTRIBUTE\_VGA\_IO** or **EFI\_PCI\_IO\_ATTRIBUTE\_VGA\_PALETTE\_IO**.



#### **EFI\_PCI\_IO\_ATTRIBUTE\_VGA\_IO\_16**

If this bit is set, then the PCI I/O cycles in the ranges 0x3B0–0x3BB and 0x3C0–0x3DF are forwarded to the PCI controller using a 16-bit address decoder on address bits 0..15. Address bits 16..31 must be zero. This bit is used to forward I/O cycles for a VGA controller to a PCI controller. If this bit is set, then the PCI Host Bus Controller and all the PCI to PCI bridges between the PCI Host Bus Controller and the PCI Controller are configured to forward these PCI I/O cycles. This bit may not be combined with **EFI\_PCI\_IO\_ATTRIBUTE\_VGA\_IO** or **EFI\_PCI\_IO\_ATTRIBUTE\_VGA\_PALETTE\_IO**. Because **EFI\_PCI\_IO\_ATTRIBUTE\_VGA\_IO\_16** also includes the I/O range described by **EFI\_PCI\_IO\_ATTRIBUTE\_VGA\_PALETTE\_IO\_16**, the **EFI\_PCI\_IO\_ATTRIBUTE\_VGA\_PALETTE\_IO\_16** bit is ignored if **EFI\_PCI\_IO\_ATTRIBUTE\_VGA\_IO\_16** is set.

#### **EFI\_PCI\_IO\_ATTRIBUTE\_ISA\_MOTHERBOARD\_IO**

If this bit is set, then the PCI I/O cycles between 0x00000000 and 0x000000FF are forwarded to the PCI controller. This bit is used to forward I/O cycles for ISA motherboard devices. If this bit is set, then the PCI Host Bus Controller and all the PCI to PCI bridges between the PCI Host Bus Controller and the PCI Controller are configured to forward these PCI I/O cycles.

#### **EFI\_PCI\_IO\_ATTRIBUTE\_ISA\_IO**

If this bit is set, then the PCI I/O cycles between 0x100 and 0x3FF are forwarded to the PCI controller using a 10-bit address decoder on address bits 0..9. Address bits 10..15 are not decoded, and address bits 16..31 must be zero. This bit is used to forward I/O cycles for legacy ISA devices. If this bit is set, then the PCI Host Bus Controller and all the PCI to PCI bridges between the PCI Host Bus Controller and the PCI Controller are configured to forward these PCI I/O cycles.

#### **EFI\_PCI\_IO\_ATTRIBUTE\_VGA\_PALETTE\_IO**

If this bit is set, then the PCI I/O write cycles for 0x3C6, 0x3C8, and 0x3C9 are forwarded to the PCI controller using a 10-bit address decoder on address bits 0..9. Address bits 10..15 are not decoded, and address bits 16..31 must be zero. This bit is used to forward I/O write cycles to the VGA palette registers on a PCI controller. If this bit is set, then the PCI Host Bus Controller and all the PCI to PCI bridges between the PCI Host Bus Controller and the PCI Controller are configured to forward these PCI I/O cycles.

#### **EFI\_PCI\_IO\_ATTRIBUTE\_VGA\_MEMORY**

If this bit is set, then the PCI memory cycles between 0xA0000 and 0xBFFFF are forwarded to the PCI controller. This bit is used to forward memory cycles for a VGA frame buffer on a PCI controller. If this bit is set, then the PCI Host Bus Controller and all the PCI to PCI bridges between the PCI Host Bus Controller and the PCI Controller are configured to forward these PCI Memory cycles.

#### **EFI\_PCI\_IO\_ATTRIBUTE\_VGA\_IO**

If this bit is set, then the PCI I/O cycles in the ranges 0x3B0-0x3BB and 0x3C0-0x3DF are forwarded to the PCI controller using a 10-bit address decoder on address bits 0..9. Address bits 10..15 are not decoded, and the address bits 16..31 must be zero. This bit is used to forward I/O cycles for a VGA controller to a PCI controller. If this bit is set, then the PCI Host Bus Controller and all the PCI to PCI bridges between the PCI Host Bus Controller and the PCI Controller are configured to forward these PCI I/O cycles. Since **EFI\_PCI\_IO\_ATTRIBUTE\_VGA\_IO** also includes the I/O range described by **EFI\_PCI\_IO\_ATTRIBUTE\_VGA\_PALETTE\_IO**, the **EFI\_PCI\_IO\_ATTRIBUTE\_VGA\_PALETTE\_IO** bit is ignored if **EFI\_PCI\_IO\_ATTRIBUTE\_VGA\_IO** is set.

#### **EFI\_PCI\_IO\_ATTRIBUTE\_IDE\_PRIMARY\_IO**

If this bit is set, then the PCI I/O cycles in the ranges 0x1F0-0x1F7 and 0x3F6-0x3F7 are forwarded to a PCI controller using a 16-bit address decoder on address bits 0..15. Address bits 16..31 must be zero. This bit is used to forward I/O cycles for a Primary IDE controller to a PCI controller. If this bit is set, then the PCI Host Bus Controller and all the PCI to PCI bridges between the PCI Host Bus Controller and the PCI Controller are configured to forward these PCI I/O cycles.

#### **EFI\_PCI\_IO\_ATTRIBUTE\_IDE\_SECONDARY\_IO**

If this bit is set, then the PCI I/O cycles in the ranges 0x170-0x177 and 0x376-0x377 are forwarded to a PCI controller using a 16-bit address decoder on address bits 0..15. Address bits 16..31 must be zero. This bit is used to forward I/O cycles for a Secondary IDE controller to a PCI controller. If this bit is set, then the PCI Host Bus Controller and all the PCI to PCI bridges between the PCI Host Bus Controller and the PCI Controller are configured to forward these PCI I/O cycles.

#### **EFI\_PCI\_IO\_ATTRIBUTE\_MEMORY\_WRITE\_COMBINE**

If this bit is set, then this platform supports changing the attributes of a PCI memory range so that the memory range is accessed in a write combining mode. This bit is used to improve the write performance to a memory buffer on a PCI controller. By default, PCI memory ranges are not accessed in a write combining mode.

#### **EFI\_PCI\_IO\_ATTRIBUTE\_MEMORY\_CACHED**

If this bit is set, then this platform supports changing the attributes of a PCI memory range so that the memory range is accessed in a cached mode. By default, PCI memory ranges are accessed noncached.

#### **EFI\_PCI\_IO\_ATTRIBUTE\_IO**

If this bit is set, then the PCI device will decode the PCI I/O cycles that the device is configured to decode.

#### **EFI\_PCI\_IO\_ATTRIBUTE\_MEMORY**

If this bit is set, then the PCI device will decode the PCI Memory cycles that the device is configured to decode.

#### **EFI\_PCI\_IO\_ATTRIBUTE\_BUS\_MASTER**

If this bit is set, then the PCI device is allowed to act as a bus master on the PCI bus.

#### **EFI\_PCI\_IO\_ATTRIBUTE\_MEMORY\_DISABLE**

If this bit is set, then this platform supports changing the attributes of a PCI memory range so that the memory range is disabled, and can no longer be accessed. By default, all PCI memory ranges are enabled.

#### **EFI\_PCI\_IO\_ATTRIBUTE\_EMBEDDED\_DEVICE**

If this bit is set, then the PCI controller is an embedded device that is typically a component on the system board. If this bit is clear, then this PCI controller is part of an adapter that is populating one of the systems PCI slots.

#### **EFI\_PCI\_IO\_ATTRIBUTE\_EMBEDDED\_ROM**

If this bit is set, then the PCI option ROM described by the *RomImage* and *RomSize* fields is not from ROM BAR of the PCI controller. If this bit is clear, then the *RomImage* and *RomSize* fields were initialized based on the PCI option ROM found through the ROM BAR of the PCI controller.

#### **EFI\_PCI\_IO\_ATTRIBUTE\_DUAL\_ADDRESS\_CYCLE**

If this bit is set, then the PCI controller is capable of producing PCI Dual Address Cycles, so it is able to access a 64-bit address space. If this bit is not set, then the PCI controller is not capable of producing PCI Dual Address Cycles, so it is only able to access a 32-bit address space.

```

//*****
// EFI_PCI_IO_PROTOCOL_OPERATION
//*****
typedef enum {
    EfiPciIoOperationBusMasterRead,
    EfiPciIoOperationBusMasterWrite,
    EfiPciIoOperationBusMasterCommonBuffer,
    EfiPciIoOperationMaximum
} EFI_PCI_IO_PROTOCOL_OPERATION;

```

**EfiPciIoOperationBusMasterRead**

A read operation from system memory by a bus master.

**EfiPciIoOperationBusMasterWrite**

A write operation to system memory by a bus master.

**EfiPciIoOperationBusMasterCommonBuffer**

Provides both read and write access to system memory by both the processor and a bus master. The buffer is coherent from both the processor's and the bus master's point of view.

## Description

The **EFI\_PCI\_IO\_PROTOCOL** provides the basic Memory, I/O, PCI configuration, and DMA interfaces that are used to abstract accesses to PCI controllers. There is one **EFI\_PCI\_IO\_PROTOCOL** instance for each PCI controller on a PCI bus. A device driver that wishes to manage a PCI controller in a system will have to retrieve the **EFI\_PCI\_IO\_PROTOCOL** instance that is associated with the PCI controller. A device handle for a PCI controller will minimally contain an **EFI\_DEVICE\_PATH\_PROTOCOL** instance and an **EFI\_PCI\_IO\_PROTOCOL** instance.

Bus mastering PCI controllers can use the DMA services for DMA operations. There are three basic types of bus mastering DMA that is supported by this protocol. These are DMA reads by a bus master, DMA writes by a bus master, and common buffer DMA. The DMA read and write operations may need to be broken into smaller chunks. The caller of **Map()** must pay attention to the number of bytes that were mapped, and if required, loop until the entire buffer has been transferred. The following is a list of the different bus mastering DMA operations that are supported, and the sequence of **EFI\_PCI\_IO\_PROTOCOL** interfaces that are used for each DMA operation type.

### **DMA Bus Master Read Operation**

- Call **Map ()** for **EfiPciIoOperationBusMasterRead**.
- Program the DMA Bus Master with the *DeviceAddress* returned by **Map ()**.
- Start the DMA Bus Master.
- Wait for DMA Bus Master to complete the read operation.
- Call **Unmap ()**.

### **DMA Bus Master Write Operation**

- Call **Map ()** for **EfiPciIoOperationBusMasterWrite**.
- Program the DMA Bus Master with the *DeviceAddress* returned by **Map ()**.
- Start the DMA Bus Master.
- Wait for DMA Bus Master to complete the write operation.
- Perform a PCI controller specific read transaction to flush all PCI write buffers (See *PCI Specification* Section 3.2.5.2).
- Call **Flush ()**.
- Call **Unmap ()**.

### **DMA Bus Master Common Buffer Operation**

- Call **AllocateBuffer ()** to allocate a common buffer.
- Call **Map ()** for **EfiPciIoOperationBusMasterCommonBuffer**.
- Program the DMA Bus Master with the *DeviceAddress* returned by **Map ()**.
- The common buffer can now be accessed equally by the processor and the DMA bus master.
- Call **Unmap ()**.
- Call **FreeBuffer ()**.

## EFI\_PCI\_IO\_PROTOCOL.PollMem()

### Summary

Reads from the memory space of a PCI controller. Returns when either the polling exit criteria is satisfied or after a defined duration.

### Prototype

```
typedef
EFI_STATUS
(EFIAPI *EFI_PCI_IO_PROTOCOL_POLL_IO_MEM) (
    IN struct EFI_PCI_IO_PROTOCOL *This,
    IN EFI_PCI_IO_PROTOCOL_WIDTH Width,
    IN UINT8 BarIndex,
    IN UINT64 Offset,
    IN UINT64 Mask,
    IN UINT64 Value,
    IN UINT64 Delay,
    OUT UINT64 *Result
);
```

### Parameters

<i>This</i>	A pointer to the <b>EFI_PCI_IO_PROTOCOL</b> instance. Type <b>EFI_PCI_IO_PROTOCOL</b> is defined in Section 13.4.
<i>Width</i>	Signifies the width of the memory operations. Type <b>EFI_PCI_IO_PROTOCOL_WIDTH</b> is defined in Section 13.4.
<i>BarIndex</i>	The BAR index of the standard PCI Configuration header to use as the base address for the memory operation to perform. This allows all drivers to use BAR relative addressing. The legal range for this field is 0..5. However, the value <b>EFI_PCI_IO_PASS_THROUGH_BAR</b> can be used to bypass the BAR relative addressing and pass <i>Offset</i> to the PCI Root Bridge I/O Protocol unchanged. Type <b>EFI_PCI_IO_PASS_THROUGH_BAR</b> is defined in Section 13.4.
<i>Offset</i>	The offset within the selected BAR to start the memory operation.
<i>Mask</i>	Mask used for the polling criteria. Bytes above <i>Width</i> in <i>Mask</i> are ignored. The bits in the bytes below <i>Width</i> which are zero in <i>Mask</i> are ignored when polling the memory address.

<i>Value</i>	The comparison value used for the polling exit criteria.
<i>Delay</i>	The number of 100 ns units to poll. Note that timer available may be of poorer granularity.
<i>Result</i>	Pointer to the last value read from the memory location.

## Description

This function provides a standard way to poll a PCI memory location. A PCI memory read operation is performed at the PCI memory address specified by *BarIndex* and *Offset* for the width specified by *Width*. The result of this PCI memory read operation is stored in *Result*. This PCI memory read operation is repeated until either a timeout of *Delay* 100 ns units has expired, or (*Result & Mask*) is equal to *Value*.

This function will always perform at least one memory access no matter how small *Delay* may be. If *Delay* is 0, then *Result* will be returned with a status of **EFI\_SUCCESS** even if *Result* does not match the exit criteria. If *Delay* expires, then **EFI\_TIMEOUT** is returned.

If *Width* is not **EfiPciIoWidthUint8**, **EfiPciIoWidthUint16**, **EfiPciIoWidthUint32**, or **EfiPciIoWidthUint64**, then **EFI\_INVALID\_PARAMETER** is returned.

The memory operations are carried out exactly as requested. The caller is responsible for satisfying any alignment and memory width restrictions that a PCI controller on a platform might require. For example on some platforms, width requests of **EfiPciIoWidthUint64** do not work.

All the PCI transactions generated by this function are guaranteed to be completed before this function returns. However, if the memory mapped I/O region being accessed by this function has the **EFI\_PCI\_ATTRIBUTE\_MEMORY\_CACHED** attribute set, then the transactions will follow the ordering rules defined by the processor architecture.

## Status Codes Returned

EFI_SUCCESS	The last data returned from the access matched the poll exit criteria.
EFI_INVALID_PARAMETER	<i>Width</i> is invalid.
EFI_INVALID_PARAMETER	<i>Result</i> is <b>NULL</b> .
EFI_UNSUPPORTED	<i>BarIndex</i> not valid for this PCI controller.
EFI_UNSUPPORTED	<i>Offset</i> is not valid for the <i>BarIndex</i> of this PCI controller.
EFI_TIMEOUT	<i>Delay</i> expired before a match occurred.
EFI_OUT_OF_RESOURCES	The request could not be completed due to a lack of resources.

## EFI\_PCI\_IO\_PROTOCOL.PollIo()

### Summary

Reads from the I/O space of a PCI controller. Returns when either the polling exit criteria is satisfied or after a defined duration.

### Prototype

```
typedef
EFI_STATUS
(EFIAPI *EFI_PCI_IO_PROTOCOL_POLL_IO_MEM) (
    IN struct EFI_PCI_IO_PROTOCOL *This,
    IN EFI_PCI_IO_PROTOCOL_WIDTH Width,
    IN UINT8 BarIndex,
    IN UINT64 Offset,
    IN UINT64 Mask,
    IN UINT64 Value,
    IN UINT64 Delay,
    OUT UINT64 *Result
);
```

### Parameters

<i>This</i>	A pointer to the <b>EFI_PCI_IO_PROTOCOL</b> instance. Type <b>EFI_PCI_IO_PROTOCOL</b> is defined in Section 13.4.
<i>Width</i>	Signifies the width of the I/O operations. Type <b>EFI_PCI_IO_PROTOCOL_WIDTH</b> is defined in Section 13.4.
<i>BarIndex</i>	The BAR index of the standard PCI Configuration header to use as the base address for the I/O operation to perform. This allows all drivers to use BAR relative addressing. The legal range for this field is 0..5. However, the value <b>EFI_PCI_IO_PASS_THROUGH_BAR</b> can be used to bypass the BAR relative addressing and pass <i>Offset</i> to the PCI Root Bridge I/O Protocol unchanged. Type <b>EFI_PCI_IO_PASS_THROUGH_BAR</b> is defined in Section 13.4.
<i>Offset</i>	The offset within the selected BAR to start the I/O operation.
<i>Mask</i>	Mask used for the polling criteria. Bytes above <i>Width</i> in <i>Mask</i> are ignored. The bits in the bytes below <i>Width</i> which are zero in <i>Mask</i> are ignored when polling the I/O address.



<i>Value</i>	The comparison value used for the polling exit criteria.
<i>Delay</i>	The number of 100 ns units to poll. Note that timer available may be of poorer granularity.
<i>Result</i>	Pointer to the last value read from the memory location.

## Description

This function provides a standard way to poll a PCI I/O location. A PCI I/O read operation is performed at the PCI I/O address specified by *BarIndex* and *Offset* for the width specified by *Width*. The result of this PCI I/O read operation is stored in *Result*. This PCI I/O read operation is repeated until either a timeout of *Delay* 100 ns units has expired, or (*Result & Mask*) is equal to *Value*.

This function will always perform at least one I/O access no matter how small *Delay* may be. If *Delay* is 0, then *Result* will be returned with a status of **EFI\_SUCCESS** even if *Result* does not match the exit criteria. If *Delay* expires, then **EFI\_TIMEOUT** is returned.

If *Width* is not **EfiPciIoWidthUint8**, **EfiPciIoWidthUint16**, **EfiPciIoWidthUint32**, or **EfiPciIoWidthUint64**, then **EFI\_INVALID\_PARAMETER** is returned.

The I/O operations are carried out exactly as requested. The caller is responsible satisfying any alignment and I/O width restrictions that the PCI controller on a platform might require. For example on some platforms, width requests of **EfiPciIoWidthUint64** do not work.

All the PCI read transactions generated by this function are guaranteed to be completed before this function returns.

## Status Codes Returned

EFI_SUCCESS	The last data returned from the access matched the poll exit criteria.
EFI_INVALID_PARAMETER	<i>Width</i> is invalid.
EFI_INVALID_PARAMETER	<i>Result</i> is <b>NULL</b> .
EFI_UNSUPPORTED	<i>BarIndex</i> not valid for this PCI controller.
EFI_UNSUPPORTED	<i>Offset</i> is not valid for the PCI BAR specified by <i>BarIndex</i> .
EFI_TIMEOUT	<i>Delay</i> expired before a match occurred.
EFI_OUT_OF_RESOURCES	The request could not be completed due to a lack of resources.

## EFI\_PCI\_IO\_PROTOCOL.Mem.Read() EFI\_PCI\_IO\_PROTOCOL.Mem.Write()

### Summary

Enable a PCI driver to access PCI controller registers in the PCI memory space.

### Prototype

```
typedef
EFI_STATUS
(EFIAPI *EFI_PCI_IO_PROTOCOL_MEM) (
    IN      EFI_PCI_IO_PROTOCOL      *This,
    IN      EFI_PCI_IO_PROTOCOL_WIDTH Width,
    IN      UINT8                    BarIndex,
    IN      UINT64                   Offset,
    IN      UINTN                    Count,
    IN OUT VOID                      *Buffer
);
```

### Parameters

<i>This</i>	A pointer to the <b>EFI_PCI_IO_PROTOCOL</b> instance. Type <b>EFI_PCI_IO_PROTOCOL</b> is defined in Section 13.4.
<i>Width</i>	Signifies the width of the memory operations. Type <b>EFI_PCI_IO_PROTOCOL_WIDTH</b> is defined in Section 13.4.
<i>BarIndex</i>	The BAR index of the standard PCI Configuration header to use as the base address for the memory operation to perform. This allows all drivers to use BAR relative addressing. The legal range for this field is 0..5. However, the value <b>EFI_PCI_IO_PASS_THROUGH_BAR</b> can be used to bypass the BAR relative addressing and pass <i>Offset</i> to the PCI Root Bridge I/O Protocol unchanged. Type <b>EFI_PCI_IO_PASS_THROUGH_BAR</b> is defined in Section 13.4.
<i>Offset</i>	The offset within the selected BAR to start the memory operation.
<i>Count</i>	The number of memory operations to perform. Bytes moved is <i>Width</i> size * <i>Count</i> , starting at <i>Offset</i> .
<i>Buffer</i>	For read operations, the destination buffer to store the results. For write operations, the source buffer to write data from.

## Description

The **Mem.Read()**, and **Mem.Write()** functions enable a driver to access controller registers in the PCI memory space.

The I/O operations are carried out exactly as requested. The caller is responsible for any alignment and I/O width issues which the bus, device, platform, or type of I/O might require. For example on some platforms, width requests of **EfiPciIoWidthUint64** do not work.

If *Width* is **EfiPciIoWidthUint8**, **EfiPciIoWidthUint16**, **EfiPciIoWidthUint32**, or **EfiPciIoWidthUint64**, then both *Address* and *Buffer* are incremented for each of the *Count* operations performed.

If *Width* is **EfiPciIoWidthFifoUint8**, **EfiPciIoWidthFifoUint16**, **EfiPciIoWidthFifoUint32**, or **EfiPciIoWidthFifoUint64**, then only *Buffer* is incremented for each of the *Count* operations performed. The read or write operation is performed *Count* times on the same *Address*.

If *Width* is **EfiPciIoWidthFillUint8**, **EfiPciIoWidthFillUint16**, **EfiPciIoWidthFillUint32**, or **EfiPciIoWidthFillUint64**, then only *Address* is incremented for each of the *Count* operations performed. The read or write operation is performed *Count* times from the first element of *Buffer*.

All the PCI transactions generated by this function are guaranteed to be completed before this function returns. All the PCI write transactions generated by this function will follow the write ordering and completion rules defined in the *PCI Specification*. However, if the memory-mapped I/O region being accessed by this function has the **EFI\_PCI\_ATTRIBUTE\_MEMORY\_CACHED** attribute set, then the transactions will follow the ordering rules defined by the processor architecture.

## Status Codes Returned

EFI_SUCCESS	The data was read from or written to the PCI controller.
EFI_INVALID_PARAMETER	<i>Width</i> is invalid.
EFI_INVALID_PARAMETER	<i>Buffer</i> is <b>NULL</b> .
EFI_UNSUPPORTED	<i>BarIndex</i> not valid for this PCI controller.
EFI_UNSUPPORTED	The address range specified by <i>Offset</i> , <i>Width</i> , and <i>Count</i> is not valid for the PCI BAR specified by <i>BarIndex</i> .
EFI_OUT_OF_RESOURCES	The request could not be completed due to a lack of resources.

## EFI\_PCI\_IO\_PROTOCOL Io.Read() EFI\_PCI\_IO\_PROTOCOL Io.Write()

### Summary

Enable a PCI driver to access PCI controller registers in the PCI I/O space.

### Prototype

```
typedef
EFI_STATUS
(EFIAPI *EFI_PCI_IO_PROTOCOL_MEM) (
    IN      EFI_PCI_IO_PROTOCOL      *This,
    IN      EFI_PCI_IO_PROTOCOL_WIDTH Width,
    IN      UINT8                    BarIndex,
    IN      UINT64                   Offset,
    IN      UINTN                    Count,
    IN OUT VOID                      *Buffer
);
```

### Parameters

<i>This</i>	A pointer to the <b>EFI_PCI_IO_PROTOCOL</b> instance. Type <b>EFI_PCI_IO_PROTOCOL</b> is defined in Section 13.4.
<i>Width</i>	Signifies the width of the memory operations. Type <b>EFI_PCI_IO_PROTOCOL_WIDTH</b> is defined in Section 13.4.
<i>BarIndex</i>	The BAR index in the standard PCI Configuration header to use as the base address for the I/O operation to perform. This allows all drivers to use BAR relative addressing. The legal range for this field is 0..5. However, the value <b>EFI_PCI_IO_PASS_THROUGH_BAR</b> can be used to bypass the BAR relative addressing and pass <i>Offset</i> to the PCI Root Bridge I/O Protocol unchanged. Type <b>EFI_PCI_IO_PASS_THROUGH_BAR</b> is defined in Section 13.4.
<i>Offset</i>	The offset within the selected BAR to start the I/O operation.
<i>Count</i>	The number of I/O operations to perform. Bytes moved is <i>Width</i> size * <i>Count</i> , starting at <i>Offset</i> .
<i>Buffer</i>	For read operations, the destination buffer to store the results. For write operations, the source buffer to write data from.

## Description

The `Io.Read()`, and `Io.Write()` functions enable a driver to access PCI controller registers in PCI I/O space.

The I/O operations are carried out exactly as requested. The caller is responsible for any alignment and I/O width issues which the bus, device, platform, or type of I/O might require. For example on some platforms, width requests of `EfiPciIoWidthUint64` do not work.

If *Width* is `EfiPciIoWidthUint8`, `EfiPciIoWidthUint16`, `EfiPciIoWidthUint32`, or `EfiPciIoWidthUint64`, then both *Address* and *Buffer* are incremented for each of the *Count* operations performed.

If *Width* is `EfiPciIoWidthFifoUint8`, `EfiPciIoWidthFifoUint16`, `EfiPciIoWidthFifoUint32`, or `EfiPciIoWidthFifoUint64`, then only *Buffer* is incremented for each of the *Count* operations performed. The read or write operation is performed *Count* times on the same *Address*.

If *Width* is `EfiPciIoWidthFillUint8`, `EfiPciIoWidthFillUint16`, `EfiPciIoWidthFillUint32`, or `EfiPciIoWidthFillUint64`, then only *Address* is incremented for each of the *Count* operations performed. The read or write operation is performed *Count* times from the first element of *Buffer*.

All the PCI transactions generated by this function are guaranteed to be completed before this function returns.

## Status Codes Returned

EFI_SUCCESS	The data was read from or written to the PCI controller.
EFI_INVALID_PARAMETER	<i>Width</i> is invalid.
EFI_INVALID_PARAMETER	<i>Buffer</i> is <b>NULL</b> .
EFI_UNSUPPORTED	<i>BarIndex</i> not valid for this PCI controller.
EFI_UNSUPPORTED	The address range specified by <i>Offset</i> , <i>Width</i> , and <i>Count</i> is not valid for the PCI BAR specified by <i>BarIndex</i> .
EFI_OUT_OF_RESOURCES	The request could not be completed due to a lack of resources.

## EFI\_PCI\_IO\_PROTOCOL.Pci.Read() EFI\_PCI\_IO\_PROTOCOL.Pci.Write()

### Summary

Enable a PCI driver to access PCI controller registers in PCI configuration space.

### Prototype

```
typedef
EFI_STATUS
(EFIAPI *EFI_PCI_IO_PROTOCOL_CONFIG) (
    IN      EFI_PCI_IO_PROTOCOL      *This,
    IN      EFI_PCI_IO_PROTOCOL_WIDTH Width,
    IN      UINT32                    Offset,
    IN      UINTN                     Count,
    IN OUT VOID                      *Buffer
);
```

### Parameters

<i>This</i>	A pointer to the <b>EFI_PCI_IO_PROTOCOL</b> instance. Type <b>EFI_PCI_IO_PROTOCOL</b> is defined in Section 13.4.
<i>Width</i>	Signifies the width of the memory operations. Type <b>EFI_PCI_IO_PROTOCOL_WIDTH</b> is defined in Section 13.4.
<i>Offset</i>	The offset within the PCI configuration space for the PCI controller.
<i>Count</i>	The number of PCI configuration operations to perform. Bytes moved is <i>Width</i> size * <i>Count</i> , starting at <i>Offset</i> .
<i>Buffer</i>	For read operations, the destination buffer to store the results. For write operations, the source buffer to write data from.

## Description

The **Pci.Read()** and **Pci.Write()** functions enable a driver to access PCI configuration registers for the PCI controller.

The PCI Configuration operations are carried out exactly as requested. The caller is responsible for any alignment and I/O width issues which the bus, device, platform, or type of I/O might require. For example on some platforms, width requests of **EfiPciIoWidthUint64** do not work.

If *Width* is **EfiPciIoWidthUint8**, **EfiPciIoWidthUint16**, **EfiPciIoWidthUint32**, or **EfiPciIoWidthUint64**, then both *Address* and *Buffer* are incremented for each of the *Count* operations performed.

If *Width* is **EfiPciIoWidthFifoUint8**, **EfiPciIoWidthFifoUint16**, **EfiPciIoWidthFifoUint32**, or **EfiPciIoWidthFifoUint64**, then only *Buffer* is incremented for each of the *Count* operations performed. The read or write operation is performed *Count* times on the same *Address*.

If *Width* is **EfiPciIoWidthFillUint8**, **EfiPciIoWidthFillUint16**, **EfiPciIoWidthFillUint32**, or **EfiPciIoWidthFillUint64**, then only *Address* is incremented for each of the *Count* operations performed. The read or write operation is performed *Count* times from the first element of *Buffer*.

All the PCI transactions generated by this function are guaranteed to be completed before this function returns.

## Status Codes Returned

EFI_SUCCESS	The data was read from or written to the PCI controller.
EFI_INVALID_PARAMETER	<i>Width</i> is invalid.
EFI_INVALID_PARAMETER	<i>Buffer</i> is <b>NULL</b> .
EFI_UNSUPPORTED	The address range specified by <i>Offset</i> , <i>Width</i> , and <i>Count</i> is not valid for the PCI configuration header of the PCI controller.
EFI_OUT_OF_RESOURCES	The request could not be completed due to a lack of resources.

## EFI\_PCI\_IO\_PROTOCOL.CopyMem()

### Summary

Enables a PCI driver to copy one region of PCI memory space to another region of PCI memory space.

### Prototype

```
typedef
EFI_STATUS
(EFIAPI *EFI_PCI_IO_PROTOCOL_COPY_MEM) (
    IN      EFI_PCI_IO_PROTOCOL      *This,
    IN      EFI_PCI_IO_PROTOCOL_WIDTH Width,
    IN      UINT8                    DestBarIndex,
    IN      UINT64                   DestOffset,
    IN      UINT8                    SrcBarIndex,
    IN      UINT64                   SrcOffset,
    IN      UINTN                    Count
);
```

### Parameters

<i>This</i>	A pointer to the <b>EFI_PCI_IO_PROTOCOL</b> instance. Type <b>EFI_PCI_IO_PROTOCOL</b> is defined in Section 13.4.
<i>Width</i>	Signifies the width of the memory operations. Type <b>EFI_PCI_IO_PROTOCOL_WIDTH</b> is defined in Section 13.4.
<i>DestBarIndex</i>	The BAR index in the standard PCI Configuration header to use as the base address for the memory operation to perform. This allows all drivers to use BAR relative addressing. The legal range for this field is 0..5. However, the value <b>EFI_PCI_IO_PASS_THROUGH_BAR</b> can be used to bypass the BAR relative addressing and pass <i>Offset</i> to the PCI Root Bridge I/O Protocol unchanged. Type <b>EFI_PCI_IO_PASS_THROUGH_BAR</b> is defined in Section 13.4.
<i>DestOffset</i>	The destination offset within the BAR specified by <i>DestBarIndex</i> to start the memory writes for the copy operation. The caller is responsible for aligning the <i>DestOffset</i> if required.
<i>SrcBarIndex</i>	The BAR index in the standard PCI Configuration header to use as the base address for the memory operation to perform. This allows all drivers to use BAR relative addressing. The legal range for this field is 0..5. However, the value <b>EFI_PCI_IO_PASS_THROUGH_BAR</b> can be used to bypass the BAR relative addressing and pass <i>Offset</i> to the PCI Root Bridge I/O Protocol unchanged. Type <b>EFI_PCI_IO_PASS_THROUGH_BAR</b> is defined in Section 13.4.



<i>SrcOffset</i>	The source offset within the BAR specified by <i>SrcBarIndex</i> to start the memory reads for the copy operation. The caller is responsible for aligning the <i>SrcOffset</i> if required.
<i>Count</i>	The number of memory operations to perform. Bytes moved is <i>Width</i> size * <i>Count</i> , starting at <i>DestOffset</i> and <i>SrcOffset</i> .

## Description

The **CopyMem()** function enables a PCI driver to copy one region of PCI memory space to another region of PCI memory space on a PCI controller. This is especially useful for video scroll operations on a memory mapped video buffer.

The memory operations are carried out exactly as requested. The caller is responsible for satisfying any alignment and memory width restrictions that a PCI controller on a platform might require. For example on some platforms, width requests of **EfiPciIoWidthUint64** do not work.

If *Width* is **EfiPciWidthUint8**, **EfiPciWidthUint16**, **EfiPciWidthUint32**, or **EfiPciWidthUint64**, then *Count* read/write transactions are performed to move the contents of the *SrcOffset* buffer to the *DestOffset* buffer. The implementation must be reentrant, and it must handle overlapping *SrcOffset* and *DestOffset* buffers. This means that the implementation of **CopyMem()** must choose the correct direction of the copy operation based on the type of overlap that exists between the *SrcOffset* and *DestOffset* buffers. If either the *SrcOffset* buffer or the *DestOffset* buffer crosses the top of the processor's address space, then the result of the copy operation is unpredictable.

The contents of the *DestOffset* buffer on exit from this service must match the contents of the *SrcOffset* buffer on entry to this service. Due to potential overlaps, the contents of the *SrcOffset* buffer may be modified by this service. The following rules can be used to guarantee the correct behavior:

1. If  $DestOffset > SrcOffset$  **and**  $DestOffset < (SrcOffset + Width\ size * Count)$ , then the data should be copied from the *SrcOffset* buffer to the *DestOffset* buffer starting from the end of buffers and working toward the beginning of the buffers.
2. Otherwise, the data should be copied from the *SrcOffset* buffer to the *DestOffset* buffer starting from the beginning of the buffers and working toward the end of the buffers.

All the PCI transactions generated by this function are guaranteed to be completed before this function returns. All the PCI write transactions generated by this function will follow the write ordering and completion rules defined in the *PCI Specification*. However, if the memory-mapped I/O region being accessed by this function has the **EFI\_PCI\_ATTRIBUTE\_MEMORY\_CACHED** attribute set, then the transactions will follow the ordering rules defined by the processor architecture.

## Status Codes Returned

EFI_SUCCESS	The data was copied from one memory region to another memory region.
EFI_INVALID_PARAMETER	<i>Width</i> is invalid.
EFI_UNSUPPORTED	<i>DestBarIndex</i> not valid for this PCI controller.
EFI_UNSUPPORTED	<i>SrcBarIndex</i> not valid for this PCI controller.
EFI_UNSUPPORTED	The address range specified by <i>DestOffset</i> , <i>Width</i> , and <i>Count</i> is not valid for the PCI BAR specified by <i>DestBarIndex</i> .
EFI_UNSUPPORTED	The address range specified by <i>SrcOffset</i> , <i>Width</i> , and <i>Count</i> is not valid for the PCI BAR specified by <i>SrcBarIndex</i> .
EFI_OUT_OF_RESOURCES	The request could not be completed due to a lack of resources.

## EFI\_PCI\_IO\_PROTOCOL.Map()

### Summary

Provides the PCI controller-specific addresses needed to access system memory.

### Prototype

```
typedef
EFI_STATUS
(EFIAPI *EFI_PCI_IO_PROTOCOL_MAP) (
    IN      EFI_PCI_IO_PROTOCOL      *This,
    IN      EFI_PCI_IO_PROTOCOL_OPERATION Operation,
    IN      VOID                      *HostAddress,
    IN OUT  UINTN                    *NumberOfBytes,
    OUT     EFI_PHYSICAL_ADDRESS      *DeviceAddress,
    OUT     VOID                      **Mapping
);
```

### Parameters

<i>This</i>	A pointer to the <u>EFI PCI IO PROTOCOL</u> instance. Type <u>EFI_PCI_IO_PROTOCOL</u> is defined in Section 13.4.
<i>Operation</i>	Indicates if the bus master is going to read or write to system memory. Type <u>EFI PCI IO PROTOCOL OPERATION</u> is defined in Section 13.4.
<i>HostAddress</i>	The system memory address to map to the PCI controller.
<i>NumberOfBytes</i>	On input the number of bytes to map. On output the number of bytes that were mapped.
<i>DeviceAddress</i>	The resulting map address for the bus master PCI controller to use to access the hosts <i>HostAddress</i> . Type <u>EFI PHYSICAL ADDRESS</u> is defined in Chapter 6.2. This address cannot be used by the processor to access the contents of the buffer specified by <i>HostAddress</i> .
<i>Mapping</i>	A resulting value to pass to <u>Unmap ()</u> .

## Description

The **Map ()** function provides the PCI controller-specific addresses needed to access system memory. This function is used to map system memory for PCI bus master DMA accesses.

All PCI bus master accesses must be performed through their mapped addresses and such mappings must be freed with **Unmap ()** when complete. If the bus master access is a single read or write data transfer, then **EfiPciIoOperationBusMasterRead** or **EfiPciIoOperation-BusMasterWrite** is used and the range is unmapped to complete the operation. If performing an **EfiPciIoOperationBusMasterRead** operation, all the data must be present in system memory before the **Map ()** is performed. Similarly, if performing an **EfiPciIoOperation-BusMasterWrite**, the data cannot be properly accessed in system memory until **Unmap ()** is performed.

Bus master operations that require both read and write access or require multiple host device interactions within the same mapped region must use **EfiPciIoOperation-BusMasterCommonBuffer**. However, only memory allocated via the **AllocateBuffer ()** interface can be mapped for this operation type.

In all mapping requests the resulting *NumberOfBytes* actually mapped may be less than the requested amount. In this case, the DMA operation will have to be broken up into smaller chunks. The **Map ()** function will map as much of the DMA operation as it can at one time. The caller may have to loop on **Map ()** and **Unmap ()** in order to complete a large DMA transfer.

## Status Codes Returned

EFI_SUCCESS	The range was mapped for the returned <i>NumberOfBytes</i> .
EFI_INVALID_PARAMETER	<i>Operation</i> is invalid.
EFI_INVALID_PARAMETER	<i>HostAddress</i> is <b>NULL</b> .
EFI_INVALID_PARAMETER	<i>NumberOfBytes</i> is <b>NULL</b> .
EFI_INVALID_PARAMETER	<i>DeviceAddress</i> is <b>NULL</b> .
EFI_INVALID_PARAMETER	<i>Mapping</i> is <b>NULL</b> .
EFI_UNSUPPORTED	The <i>HostAddress</i> cannot be mapped as a common buffer.
EFI_DEVICE_ERROR	The system hardware could not map the requested address.
EFI_OUT_OF_RESOURCES	The request could not be completed due to a lack of resources.

## EFI\_PCI\_IO\_PROTOCOL.Unmap()

### Summary

Completes the [Map\(\)](#) operation and releases any corresponding resources.

### Prototype

```
typedef
EFI_STATUS
(EFIAPI *EFI_PCI_IO_PROTOCOL_UNMAP) (
    IN EFI_PCI_IO_PROTOCOL  *This,
    IN VOID                  *Mapping
);
```

### Parameters

*This*                      A pointer to the [EFI\\_PCI\\_IO\\_PROTOCOL](#) instance. Type [EFI\\_PCI\\_IO\\_PROTOCOL](#) is defined in Section 13.4.

*Mapping*                    The mapping value returned from [Map\(\)](#).

### Description

The [Unmap\(\)](#) function completes the [Map\(\)](#) operation and releases any corresponding resources. If the operation was an [EfiPciIoOperationBusMasterWrite](#), the data is committed to the target system memory. Any resources used for the mapping are freed.

### Status Codes Returned

EFI_SUCCESS	The range was unmapped.
EFI_DEVICE_ERROR	The data was not committed to the target system memory.

## EFI\_PCI\_IO\_PROTOCOL.AllocateBuffer()

### Summary

Allocates pages that are suitable for an **EfiPciIoOperationBusMasterCommonBuffer** mapping.

### Prototype

```
typedef
EFI_STATUS
(EFIAPI *EFI_PCI_IO_PROTOCOL_ALLOCATE_BUFFER) (
    IN      EFI_PCI_IO_PROTOCOL  *This,
    IN      EFI_ALLOCATE_TYPE    Type,
    IN      EFI_MEMORY_TYPE      MemoryType,
    IN      UINTN                Pages,
    OUT     VOID                 **HostAddress,
    IN      UINT64               Attributes
);
```

### Parameters

<i>This</i>	A pointer to the <b>EFI_PCI_IO_PROTOCOL</b> instance. Type <b>EFI_PCI_IO_PROTOCOL</b> is defined in Section 13.4.
<i>Type</i>	This parameter is not used and must be ignored.
<i>MemoryType</i>	The type of memory to allocate, <b>EfiBootServicesData</b> or <b>EfiRuntimeServicesData</b> . Type <b>EFI_MEMORY_TYPE</b> is defined in Chapter 6.2.
<i>Pages</i>	The number of pages to allocate.
<i>HostAddress</i>	A pointer to store the base system memory address of the allocated range.
<i>Attributes</i>	The requested bit mask of attributes for the allocated range. Only the attributes <b>EFI_PCI_ATTRIBUTE_MEMORY_WRITE_COMBINE</b> , and <b>EFI_PCI_ATTRIBUTE_MEMORY_CACHED</b> may be used with this function. If any other bits are set, then <b>EFI_UNSUPPORTED</b> is returned. This function may choose to ignore this bit mask. The <b>EFI_PCI_ATTRIBUTE_MEMORY_WRITE_COMBINE</b> , and <b>EFI_PCI_ATTRIBUTE_MEMORY_CACHED</b> attributes provide a hint to the implementation that may improve the performance of the calling driver. The implementation may choose any default for the memory attributes including write combining, cached, both, or neither as long as the allocated buffer can be seen equally by both the processor and the PCI bus master.

## Description

The **AllocateBuffer ()** function allocates pages that are suitable for an **EfiPciIoOperationBusMasterCommonBuffer** mapping. This means that the buffer allocated by this function must support simultaneous access by both the processor and a PCI Bus Master. The device address that the PCI Bus Master uses to access the buffer can be retrieved with a call to **Map ()**.

If the current attributes of the PCI controller has the **EFI\_PCI\_IO\_ATTRIBUTE\_DUAL\_ADDRESS\_CYCLE** bit set, then when the buffer allocated by this function is mapped with a call to **Map ()**, the device address that is returned by **Map ()** must be within the 64-bit device address space of the PCI Bus Master. The attributes for a PCI controller can be managed by calling **Attributes ()**.

If the current attributes for the PCI controller has the **EFI\_PCI\_IO\_ATTRIBUTE\_DUAL\_ADDRESS\_CYCLE** bit clear, then when the buffer allocated by this function is mapped with a call to **Map ()**, the device address that is returned by **Map ()** must be within the 32-bit device address space of the PCI Bus Master. The attributes for a PCI controller can be managed by calling **Attributes ()**.

If the memory allocation specified by *MemoryType* and *Pages* cannot be satisfied, then **EFI\_OUT\_OF\_RESOURCES** is returned.

## Status Codes Returned

EFI_SUCCESS	The requested memory pages were allocated.
EFI_INVALID_PARAMETER	<i>MemoryType</i> is invalid.
EFI_INVALID_PARAMETER	<i>HostAddress</i> is <b>NULL</b> .
EFI_UNSUPPORTED	<i>Attributes</i> is unsupported. The only legal attribute bits are <b>MEMORY_WRITE_COMBINE</b> and <b>MEMORY_CACHED</b> .
EFI_OUT_OF_RESOURCES	The memory pages could not be allocated.

## EFI\_PCI\_IO\_PROTOCOL.FreeBuffer()

### Summary

Frees memory that was allocated with [AllocateBuffer\(\)](#).

### Prototype

```
typedef
EFI_STATUS
(EFI_API *EFI_PCI_IO_PROTOCOL_FREE_BUFFER) (
    IN EFI_PCI_IO_PROTOCOL    *This,
    IN UINTN                  Pages,
    IN VOID                   *HostAddress
);
```

### Parameters

*This*                      A pointer to the [EFI PCI IO PROTOCOL](#) instance. Type [EFI\\_PCI\\_IO\\_PROTOCOL](#) is defined in Section 13.4.

*Pages*                     The number of pages to free.

*HostAddress*              The base system memory address of the allocated range.

### Description

The [FreeBuffer\(\)](#) function frees memory that was allocated with [AllocateBuffer\(\)](#).

### Status Codes Returned

EFI_SUCCESS	The requested memory pages were freed.
EFI_INVALID_PARAMETER	The memory range specified by <i>HostAddress</i> and <i>Pages</i> was not allocated with <a href="#">AllocateBuffer()</a> .



## EFI\_PCI\_IO\_PROTOCOL.Flush()

### Summary

Flushes all PCI posted write transactions from a PCI host bridge to system memory.

### Prototype

```
typedef
EFI_STATUS
(EFIAPI *EFI_PCI_IO_PROTOCOL_FLUSH) (
    IN EFI_PCI_IO_PROTOCOL *This
);
```

### Parameters

*This* A pointer to the [EFI\\_PCI\\_IO\\_PROTOCOL](#) instance. Type [EFI\\_PCI\\_IO\\_PROTOCOL](#) is defined in Section 13.4.

### Description

The **Flush()** function flushes any PCI posted write transactions from a PCI host bridge to system memory. Posted write transactions are generated by PCI bus masters when they perform write transactions to target addresses in system memory.

This function does not flush posted write transactions from any PCI bridges. A PCI controller specific action must be taken to guarantee that the posted write transactions have been flushed from the PCI controller and from all the PCI bridges into the PCI host bridge. This is typically done with a PCI read transaction from the PCI controller prior to calling **Flush()**.

If the PCI controller specific action required to flush the PCI posted write transactions has been performed, and this function returns **EFI\_SUCCESS**, then the PCI bus master's view and the processor's view of system memory are guaranteed to be coherent. If the PCI posted write transactions cannot be flushed from the PCI host bridge, then the PCI bus master and processor are not guaranteed to have a coherent view of system memory, and **EFI\_DEVICE\_ERROR** is returned.

### Status Codes Returned

EFI_SUCCESS	The PCI posted write transactions were flushed from the PCI host bridge to system memory.
EFI_DEVICE_ERROR	The PCI posted write transactions were not flushed from the PCI host bridge due to a hardware error.

## EFI\_PCI\_IO\_PROTOCOL.GetLocation()

### Summary

Retrieves this PCI controller's current PCI bus number, device number, and function number.

### Prototype

```
typedef
EFI_STATUS
(EFIAPI *EFI_PCI_IO_PROTOCOL_GET_LOCATION) (
    IN EFI_PCI_IO_PROTOCOL *This,
    OUT UINTN                *SegmentNumber,
    OUT UINTN                *BusNumber,
    OUT UINTN                *DeviceNumber,
    OUT UINTN                *FunctionNumber
);
```

### Parameters

<i>This</i>	A pointer to the <u>EFI_PCI_IO_PROTOCOL</u> instance. Type <u>EFI_PCI_IO_PROTOCOL</u> is defined in Section 13.4.
<i>SegmentNumber</i>	The PCI controller's current PCI segment number.
<i>BusNumber</i>	The PCI controller's current PCI bus number.
<i>DeviceNumber</i>	The PCI controller's current PCI device number.
<i>FunctionNumber</i>	The PCI controller's current PCI function number.

### Description

The **GetLocation()** function retrieves a PCI controller's current location on a PCI Host Bridge. This is specified by a PCI segment number, PCI bus number, PCI device number, and PCI function number. These values can be used with the PCI Root Bridge I/O Protocol to perform PCI configuration cycles on the PCI controller, or any of its peer PCI controller's on the same PCI Host Bridge.

### Status Codes Returned

EFI_SUCCESS	The PCI controller location was returned.
EFI_INVALID_PARAMETER	<i>SegmentNumber</i> is <b>NULL</b> .
EFI_INVALID_PARAMETER	<i>BusNumber</i> is <b>NULL</b> .
EFI_INVALID_PARAMETER	<i>DeviceNumber</i> is <b>NULL</b> .
EFI_INVALID_PARAMETER	<i>FunctionNumber</i> is <b>NULL</b> .

## EFI\_PCI\_IO\_PROTOCOL.Attributes()

### Summary

Performs an operation on the attributes that this PCI controller supports. The operations include getting the set of supported attributes, retrieving the current attributes, setting the current attributes, enabling attributes, and disabling attributes.

### Prototype

```
typedef
EFI_STATUS
(EFIAPI *EFI_PCI_IO_PROTOCOL_ATTRIBUTES) (
    IN EFI_PCI_IO_PROTOCOL           *This,
    IN EFI_PCI_IO_PROTOCOL_ATTRIBUTE_OPERATION Operation,
    IN UINT64                         Attributes,
    OUT UINT64                         *Result OPTIONAL
);
```

### Parameters

<i>This</i>	A pointer to the <u>EFI PCI IO PROTOCOL</u> instance. Type <u>EFI_PCI_IO_PROTOCOL</u> is defined in Section 13.4.
<i>Operation</i>	The operation to perform on the attributes for this PCI controller. Type <u>EFI_PCI_IO_PROTOCOL_ATTRIBUTE_OPERATION</u> is defined in “Related Definitions” below.
<i>Attributes</i>	The mask of attributes that are used for <b>Set</b> , <b>Enable</b> , and <b>Disable</b> operations. The available attributes are listed in Section 13.4.
<i>Result</i>	A pointer to the result mask of attributes that are returned for the <b>Get</b> and <b>Supported</b> operations. This is an optional parameter that may be <b>NULL</b> for the <b>Set</b> , <b>Enable</b> , and <b>Disable</b> operations. The available attributes are listed in Section 13.4.

## Related Definitions

```
/**
 * *****
 * // EFI_PCI_IO_PROTOCOL_ATTRIBUTE_OPERATION
 * *****
 */
typedef enum {
    EfiPciIoAttributeOperationGet,
    EfiPciIoAttributeOperationSet,
    EfiPciIoAttributeOperationEnable,
    EfiPciIoAttributeOperationDisable,
    EfiPciIoAttributeOperationSupported,
    EfiPciIoAttributeOperationMaximum
} EFI_PCI_IO_PROTOCOL_ATTRIBUTE_OPERATION;
```

### EfiPciIoAttributeOperationGet

Retrieve the PCI controller's current attributes, and return them in *Result*. If *Result* is **NULL**, then **EFI\_INVALID\_PARAMETER** is returned. For this operation, *Attributes* is ignored.

### EfiPciIoAttributeOperationSet

Set the PCI controller's current attributes to *Attributes*. If a bit is set in *Attributes* that is not supported by this PCI controller or one of its parent bridges, then **EFI\_UNSUPPORTED** is returned. For this operation, *Result* is an optional parameter that may be **NULL**.

### EfiPciIoAttributeOperationEnable

Enable the attributes specified by the bits that are set in *Attributes* for this PCI controller. Bits in *Attributes* that are clear are ignored. If a bit is set in *Attributes* that is not supported by this PCI controller or one of its parent bridges, then **EFI\_UNSUPPORTED** is returned. For this operation, *Result* is an optional parameter that may be **NULL**.

### EfiPciIoAttributeOperationDisable

Disable the attributes specified by the bits that are set in *Attributes* for this PCI controller. Bits in *Attributes* that are clear are ignored. If a bit is set in *Attributes* that is not supported by this PCI controller or one of its parent bridges, then **EFI\_UNSUPPORTED** is returned. For this operation, *Result* is an optional parameter that may be **NULL**.

### EfiPciIoAttributeOperationSupported

Retrieve the PCI controller's supported attributes, and return them in *Result*. If *Result* is **NULL**, then **EFI\_INVALID\_PARAMETER** is returned. For this operation, *Attributes* is ignored.

## Description

The **Attributes ()** function performs an operation on the attributes associated with this PCI controller. If *Operation* is greater than or equal to the maximum operation value, then **EFI\_INVALID\_PARAMETER** is returned. If *Operation* is **Get** or **Supported**, and *Result* is **NULL**, then **EFI\_INVALID\_PARAMETER** is returned. If *Operation* is **Set**, **Enable**, or **Disable** for an attribute that is not supported by the PCI controller, then **EFI\_UNSUPPORTED** is returned. Otherwise, the operation is performed as described in “Related Definitions” and **EFI\_SUCCESS** is returned. It is possible for this function to return **EFI\_UNSUPPORTED** even if the PCI controller supports the attribute. This can occur when the PCI root bridge does not support the attribute. For example, if VGA I/O and VGA Memory transactions cannot be forwarded onto PCI root bridge #2, then a request by a PCI VGA driver to enable the **VGA\_IO** and **VGA\_MEMORY** bits will fail even though a PCI VGA controller behind PCI root bridge #2 is able to decode these transactions.

This function will also return **EFI\_UNSUPPORTED** if more than one PCI controller on the same PCI root bridge has already successfully requested one of the ISA addressing attributes. For example, if one PCI VGA controller had already requested the **VGA\_IO** and **VGA\_MEMORY** attributes, then a second PCI VGA controller on the same root bridge cannot succeed in requesting those same attributes. This restriction applies to the ISA-, VGA-, and IDE-related attributes.

## Status Codes Returned

EFI_SUCCESS	The operation on the PCI controller's attributes was completed. If the operation was <b>Get</b> or <b>Supported</b> , then the attribute mask is returned in <i>Result</i> .
EFI_INVALID_PARAMETER	<i>Operation</i> is greater than or equal to <b>EfiPciIoAttributeOperationMaximum</b> .
EFI_INVALID_PARAMETER	<i>Operation</i> is <b>Get</b> and <i>Result</i> is <b>NULL</b> .
EFI_INVALID_PARAMETER	<i>Operation</i> is <b>Supported</b> and <i>Result</i> is <b>NULL</b> .
EFI_UNSUPPORTED	<i>Operation</i> is <b>Set</b> , and one or more of the bits set in <i>Attributes</i> are not supported by this PCI controller or one of its parent bridges.
EFI_UNSUPPORTED	<i>Operation</i> is <b>Enable</b> , and one or more of the bits set in <i>Attributes</i> are not supported by this PCI controller or one of its parent bridges.
EFI_UNSUPPORTED	<i>Operation</i> is <b>Disable</b> , and one or more of the bits set in <i>Attributes</i> are not supported by this PCI controller or one of its parent bridges.

## EFI\_PCI\_IO\_PROTOCOL.GetBarAttributes()

### Summary

Gets the attributes that this PCI controller supports setting on a BAR using [SetBarAttributes\(\)](#), and retrieves the list of resource descriptors for a BAR.

### Prototype

```
typedef
EFI_STATUS
(EFIAPI *EFI_PCI_IO_PROTOCOL_GET_BAR_ATTRIBUTES) (
    IN EFI_PCI_IO_PROTOCOL  *This,
    IN UINT8                 BarIndex,
    OUT UINT64               *Supports    OPTIONAL,
    OUT VOID                 **Resources OPTIONAL
);
```

### Parameters

<i>This</i>	A pointer to the <a href="#">EFI_PCI_IO_PROTOCOL</a> instance. Type <a href="#">EFI_PCI_IO_PROTOCOL</a> is defined in Section 13.4.
<i>BarIndex</i>	The BAR index of the standard PCI Configuration header to use as the base address for resource range. The legal range for this field is 0..5.
<i>Supports</i>	A pointer to the mask of attributes that this PCI controller supports setting for this BAR with <a href="#">SetBarAttributes()</a> . The list of attributes is listed in Section 13.4. This is an optional parameter that may be <b>NULL</b> .
<i>Resources</i>	A pointer to the ACPI 2.0 resource descriptors that describe the current configuration of this BAR of the PCI controller. This buffer is allocated for the caller with the Boot Service <a href="#">AllocatePool()</a> . It is the caller's responsibility to free the buffer with the Boot Service <a href="#">FreePool()</a> . See "Related Definitions" below for the ACPI 2.0 resource descriptors that may be used. This is an optional parameter that may be <b>NULL</b> .

## Related Definitions

There are only two resource descriptor types from the *ACPI Specification* that may be used to describe the current resources allocated to BAR of a PCI Controller. These are the QWORD Address Space Descriptor (ACPI 2.0 Section 6.4.3.5.1), and the End Tag (ACPI 2.0 Section 6.4.2.8). The QWORD Address Space Descriptor can describe memory, I/O, and bus number ranges for dynamic or fixed resources. The configuration of a BAR of a PCI Controller is described with one or more QWORD Address Space Descriptors followed by an End Tag. Table 90 and Table 91 contain these two descriptor types. Please see the *ACPI Specification* for details on the field values.

**Table 90. ACPI 2.0 QWORD Address Space Descriptor**

Byte Offset	Byte Length	Data	Description
0x00	0x01	0x8A	QWORD Address Space Descriptor
0x01	0x02	0x2B	Length of this descriptor in bytes not including the first two fields
0x03	0x01		Resource Type 0 – Memory Range 1 – I/O Range 2 – Bus Number Range
0x04	0x01		General Flags
0x05	0x01		Type Specific Flags
0x06	0x08		Address Space Granularity
0x0E	0x08		Address Range Minimum
0x16	0x08		Address Range Maximum
0x1E	0x08		Address Translation Offset
0x26	0x08		Address Length

**Table 91. ACPI 2.0 End Tag**

Byte Offset	Byte Length	Data	Description
0x00	0x01	0x79	End Tag
0x01	0x01	0x00	Checksum. If 0, then checksum is assumed to be valid.

## Description

The **GetBarAttributes ()** function returns in *Supports* the mask of attributes that the PCI controller supports setting for the BAR specified by *BarIndex*. It also returns in *Resources* a list of ACPI 2.0 resource descriptors for the BAR specified by *BarIndex*. Both *Supports* and *Resources* are optional parameters. If both *Supports* and *Resources* are **NULL**, then **EFI\_INVALID\_PARAMETER** is returned. It is the caller's responsibility to free *Resources* with the Boot Service **FreePool ()** when the caller is done with the contents of *Resources*. If there are not enough resources to allocate *Resources*, then **EFI\_OUT\_OF\_RESOURCES** is returned.

If a bit is set in *Supports*, then the PCI controller supports this attribute type for the BAR specified by *BarIndex*, and a call can be made to **SetBarAttributes ()** using that attribute type.

## Status Codes Returned

EFI_SUCCESS	If <i>Supports</i> is not <b>NULL</b> , then the attributes that the PCI controller supports are returned in <i>Supports</i> . If <i>Resources</i> is not <b>NULL</b> , then the ACPI 2.0 resource descriptors that the PCI controller is currently using are returned in <i>Resources</i> .
EFI_OUT_OF_RESOURCES	There are not enough resources available to allocate <i>Resources</i> .
EFI_UNSUPPORTED	<i>BarIndex</i> not valid for this PCI controller.
EFI_INVALID_PARAMETER	Both <i>Supports</i> and <i>Attributes</i> are <b>NULL</b> .



## EFI\_PCI\_IO\_PROTOCOL.SetBarAttributes()

### Summary

Sets the attributes for a range of a BAR on a PCI controller.

### Prototype

```
typedef
EFI_STATUS
(EFIAPI *EFI_PCI_IO_PROTOCOL_SET_BAR_ATTRIBUTES) (
    IN      EFI_PCI_IO_PROTOCOL  *This,
    IN      UINT64                Attributes,
    IN      UINT8                 BarIndex,
    IN OUT  UINT64                *Offset,
    IN OUT  UINT64                *Length
);
```

### Parameters

<i>This</i>	A pointer to the <u>EFI PCI IO PROTOCOL</u> instance. Type <u>EFI_PCI_IO_PROTOCOL</u> is defined in Section 13.4.
<i>Attributes</i>	The mask of attributes to set for the resource range specified by <i>BarIndex</i> , <i>Offset</i> , and <i>Length</i> .
<i>BarIndex</i>	The BAR index of the standard PCI Configuration header to use as the base address for the resource range. The legal range for this field is 0..5.
<i>Offset</i>	A pointer to the BAR relative base address of the resource range to be modified by the attributes specified by <i>Attributes</i> . On return, <i>*Offset</i> will be set to the actual base address of the resource range. Not all resources can be set to a byte boundary, so the actual base address may differ from the one passed in by the caller.
<i>Length</i>	A pointer to the length of the resource range to be modified by the attributes specified by <i>Attributes</i> . On return, <i>*Length</i> will be set to the actual length of the resource range. Not all resources can be set to a byte boundary, so the actual length may differ from the one passed in by the caller.

## Description

The **SetBarAttributes ()** function sets the attributes specified in *Attributes* for the PCI controller on the resource range specified by *BarIndex*, *Offset*, and *Length*. Since the granularity of setting these attributes may vary from resource type to resource type, and from platform to platform, the actual resource range and the one passed in by the caller may differ. As a result, this function may set the attributes specified by *Attributes* on a larger resource range than the caller requested. The actual range is returned in *Offset* and *Length*. The caller is responsible for verifying that the actual range for which the attributes were set is acceptable.

If the attributes are set on the PCI controller, then the actual resource range is returned in *Offset* and *Length*, and **EFI\_SUCCESS** is returned. Many of the attribute types also require that the state of the PCI Host Bus Controller and the state of any PCI to PCI bridges between the PCI Host Bus Controller and the PCI Controller to be modified. This function will only return **EFI\_SUCCESS** if all of these state changes are made. The PCI Controller may support a combination of attributes, but unless the PCI Host Bus Controller and the PCI to PCI bridges also support that same combination of attributes, then this call will return an error.

If the attributes specified by *Attributes*, or the resource range specified by *BarIndex*, *Offset*, and *Length* are not supported by the PCI controller, then **EFI\_UNSUPPORTED** is returned. The set of supported attributes for the PCI controller can be found by calling **GetBarAttributes ()**.

If either *Offset* or *Length* is **NULL** then **EFI\_INVALID\_PARAMETER** is returned.

If there are not enough resources available to set the attributes, then **EFI\_OUT\_OF\_RESOURCES** is returned.

## Status Codes Returned

EFI_SUCCESS	The set of attributes specified by <i>Attributes</i> for the resource range specified by <i>BarIndex</i> , <i>Offset</i> , and <i>Length</i> were set on the PCI controller, and the actual resource range is returned in <i>Offset</i> and <i>Length</i> .
EFI_UNSUPPORTED	The set of attributes specified by <i>Attributes</i> is not supported by the PCI controller for the resource range specified by <i>BarIndex</i> , <i>Offset</i> , and <i>Length</i> .
EFI_INVALID_PARAMETER	<i>Offset</i> is <b>NULL</b> .
EFI_INVALID_PARAMETER	<i>Length</i> is <b>NULL</b> .
EFI_OUT_OF_RESOURCES	There are not enough resources to set the attributes on the resource range specified by <i>BarIndex</i> , <i>Offset</i> , and <i>Length</i> .

### 13.4.1 PCI Device Paths

An **EFI PCI IO PROTOCOL** must be installed on a handle for its services to be available to PCI device drivers. In addition to the **EFI\_PCI\_IO\_PROTOCOL**, an **EFI\_DEVICE\_PATH\_PROTOCOL** must also be installed on the same handle. See Chapter 9 for a detailed description of the **EFI\_DEVICE\_PATH\_PROTOCOL**.

Typically, an ACPI Device Path Node is used to describe a PCI Root Bridge. Depending on the bus hierarchy in the system, additional device path nodes may precede this ACPI Device Path Node. A PCI device path is described with PCI Device Path Nodes. There will be one PCI Device Path node for the PCI controller itself, and one PCI Device Path Node for each PCI to PCI Bridge that is between the PCI controller and the PCI Root Bridge.

Table 92 shows an example device path for a PCI controller that is located at PCI device number 0x07 and PCI function 0x00, and is directly attached to a PCI root bridge. This device path consists of an ACPI Device Path Node, a PCI Device Path Node, and a Device Path End Structure. The **\_HID** and **\_UID** must match the ACPI table description of the PCI Root Bridge. The shorthand notation for this device path is:

**ACPI (PNP0A03, 0) / PCI (7 | 0).**

**Table 92. PCI Device 7, Function 0 on PCI Root Bridge 0**

Byte Offset	Byte Length	Data	Description
0x00	0x01	0x02	<b>Generic Device Path Header</b> – Type ACPI Device Path
0x01	0x01	0x01	Sub type – ACPI Device Path
0x02	0x02	0x0C	Length – 0x0C bytes
0x04	0x04	0x41D0, 0x0A03	<b>_HID</b> PNP0A03 – 0x41D0 represents a compressed string ‘PNP’ and is in the low order bytes
0x08	0x04	0x0000	<b>_UID</b>
0x0C	0x01	0x01	<b>Generic Device Path Header</b> – Type Hardware Device Path
0x0D	0x01	0x01	Sub type – PCI
0x0E	0x02	0x06	Length – 0x06 bytes
0x10	0x01	0x00	PCI Function
0x11	0x01	0x07	PCI Device
0x12	0x01	0xFF	<b>Generic Device Path Header</b> – Type End of Hardware Device Path
0x13	0x01	0xFF	Sub type – End of Entire Device Path
0x14	0x02	0x04	Length – 0x04 bytes

Table 93 shows an example device path for a PCI controller that is located behind a PCI to PCI bridge at PCI device number 0x07 and PCI function 0x00. The PCI to PCI bridge is directly attached to a PCI root bridge, and it is at PCI device number 0x05 and PCI function 0x00. This device path consists of an ACPI Device Path Node, two PCI Device Path Nodes, and a Device Path End Structure. The \_HID and \_UID must match the ACPI table description of the PCI Root Bridge. The shorthand notation for this device path is:

**ACPI (PNP0A03, 0) / PCI (5 | 0) / PCI (7 | 0).**

**Table 93. PCI Device 7, Function 0 behind PCI to PCI bridge**

Byte Offset	Byte Length	Data	Description
0x00	0x01	0x02	<b>Generic Device Path Header</b> – Type ACPI Device Path
0x01	0x01	0x01	Sub type – ACPI Device Path
0x02	0x02	0x0C	Length – 0x0C bytes
0x04	0x04	0x41D0, 0x0A03	_HID PNP0A03 – 0x41D0 represents a compressed string ‘PNP’ and is in the low order bytes.
0x08	0x04	0x0000	_UID
0x0C	0x01	0x01	<b>Generic Device Path Header</b> – Type Hardware Device Path
0x0D	0x01	0x01	Sub type – PCI
0x0E	0x02	0x06	Length – 0x06 bytes
0x10	0x01	0x00	PCI Function
0x11	0x01	0x05	PCI Device
0x12	0x01	0x01	<b>Generic Device Path Header</b> – Type Hardware Device Path
0x13	0x01	0x01	Sub type – PCI
0x14	0x02	0x06	Length – 0x06 bytes
0x16	0x01	0x00	PCI Function
0x17	0x01	0x07	PCI Device
0x18	0x01	0xFF	<b>Generic Device Path Header</b> – Type End of Hardware Device Path
0x19	0x01	0xFF	Sub type – End of Entire Device Path
0x1A	0x02	0x04	Length – 0x04 bytes

## 13.4.2 PCI Option ROMs

EFI takes advantage of both the *PCI Specification* and the *PE/COFF Specification* to store EFI images in a PCI Option ROM. There are several rules that must be followed when constructing a PCI Option ROM

- A PCI Option ROM can be no larger than 16 MB.
- A PCI Option ROM may contain one or more images.
- Each image must be on a 512-byte boundary.
- Each image must be an even multiple of 512 bytes in length. This means that images that are not an even multiple of 512 bytes in length must be padded to the next 512-byte boundary.
- Legacy Option ROM images begin with a Standard PCI Expansion ROM Header (Table 94).
- EFI Option ROM images begin with an EFI PCI Expansion ROM Header (Table 97).
- Each image must contain a PCIR data structure in the first 64 KB of the image (Table 95).
- The image data for an EFI Option ROM image must begin in the first 64 KB of the image.
- The image data for an EFI Option ROM image must be a PE/COFF image or a compressed PE/COFF image following the *EFI 1.10 Compression Algorithm Specification*, and referencing Appendix H for the Compression Source Code.
- The PCIR data structure must begin on a 4-byte boundary.
- If the PCI Option ROM contains a Legacy Option ROM image, it must be the first image.
- The images are placed in the PCI Option ROM in order from highest to lowest priority. This priority is used to build the ordered list of Driver Image Handles that are produced by the Bus Specific Driver Override Protocol for a PCI Controller.
- In the future EBC is the only way new processor bindings can be added.

There are several options available when building a PCI option ROM for a PCI adapter. A PCI Option ROM can choose to support only a legacy PC-AT platform, only an EFI compliant platform, or both. This flexibility allows a migration path from adapters that support only legacy PC-AT platforms, to adapters that support both PC-AT platforms and EFI compliant platforms, to adapters that support only EFI compliant platforms. The following is a list of the image combinations that may be placed in a PCI option ROM. This is not an exhaustive list. Instead, it provides what will likely be the most common PCI option ROM layouts. EFI compliant system firmware must work with all of these PCI option ROM layouts, plus any other layouts that are possible within the *PCI Specification*. The format of a Legacy Option ROM image is defined in the *PCI Specification*.

- Legacy Option ROM image
- Legacy Option ROM image + IA-32 EFI driver
- Legacy Option ROM image + Itanium Processor Family EFI driver
- Legacy Option ROM image + IA-32 EFI driver + Itanium Processor Family EFI driver
- Legacy Option ROM image + IA-32 EFI driver + x64 EFI driver
- Legacy Option ROM image + EBC Driver
- IA-32 UEFI driver
- Itanium Processor Family EFI driver
- IA-32 UEFI driver + Itanium Processor Family EFI driver
- EBC Driver

It is also possible to place an application written to this specification in a PCI Option ROM. However, the PCI Bus Driver will ignore these images. The exact mechanism by which applications can be loaded and executed from a PCI Option ROM is outside the scope of this document.

**Table 94. Standard PCI Expansion ROM Header**

Offset	Byte Length	Value	Description
0x00	1	0x55	ROM Signature, byte 1
0x01	1	0xAA	ROM Signature, byte 2
0x02-0x17	22	XX	Reserved per processor architecture unique data
0x18-0x19	2	XX	Pointer to PCIR Data Structure

**Table 95. PCIR Data Structure**

Offset	Byte Length	Description
0x00	4	Signature, the string 'PCIR'
0x04	2	Vendor Identification
0x06	2	Device Identification
0x08	2	Pointer to Vital Product Data
0x0a	2	PCIR Data Structure Length
0x0c	1	PCIR Data Structure Revision
0x0d	3	Class Code
0x10	2	Image Length
0x12	2	Revision Level of Code/Data
0x14	1	Code Type
0x15	1	Indicator. Used to identify if this is the last image in the ROM
0x16	2	Reserved

**Table 96. PCI Expansion ROM Code Types**

Code Type	Description
0x00	IA-32, PC-AT compatible
0x01	Open Firmware standard for PCI
0x02	Hewlett-Packard PA RISC
0x03	EFI Image
0x04-0xFF	Reserved

**Table 97. EFI PCI Expansion ROM Header**

Offset	Byte Length	Value	Description
0x00	1	0x55	ROM Signature, byte 1
0x01	1	0xAA	ROM Signature, byte 2
0x02	2	XXXX	Initialization Size – size of this image in units of 512 bytes. The size includes this header.
0x04	4	0x0EF1	Signature from EFI image header
0x08	2	XX	Subsystem value for EFI image header
0x0a	2	XX	Machine type from EFI image header
0x0c	2	XX	Compression type 0x0000 - The image is uncompressed 0x0001 - The image is compressed. See the <i>EFI 1.1 Compression Algorithm Specification and Appendix H.</i> 0x0002 - 0xFFFF - Reserved
0x0e	8	0x00	Reserved
0x16	2	XX	Offset to EFI Image
0x18	2	XX	Offset to PCIR Data Structure

### 13.4.2.1 PCI Bus Driver Responsibilities

A PCI Bus Driver must scan a PCI Option ROM for PCI Device Drivers. If a PCI Option ROM is found during PCI Enumeration, then a copy of the PCI Option ROM is placed in a memory buffer. The PCI Bus Driver will use the memory copy of the PCI Option ROM to search for UEFI drivers after PCI Enumeration. The PCI Bus Driver will search the list of images in a PCI Option ROM for the ones that have a Code Type of 0x03 in the PCIR Data Structure, and a Signature of 0xEF1 in the EFI PCI Expansion ROM Header. Then, it will examine the Subsystem Type of the EFI PCI Expansion ROM Header. If the Subsystem Type is **IMAGE\_SUBSYSTEM\_EFI\_BOOT\_SERVICE\_DRIVER**(11) or **IMAGE\_SUBSYSTEM\_EFI\_RUNTIME\_DRIVER**(12), then the PCI Bus Driver can load the PCI Device Driver from the PCI Option ROM. The Offset to EFI Image Header field of the EFI PCI Expansion ROM Header is used to get a pointer to the beginning of the PE/COFF image in the PCI Option ROM. The PE/COFF image may have been compressed using the *EFI 1.10* Compression Algorithm. If it has been compressed, then the PCI Bus Driver must decompress the driver to a memory buffer. The Boot Service **LoadImage ()** can then be used to load the driver. If the platform does not support the Machine Type of the driver, then **LoadImage ()** may fail.

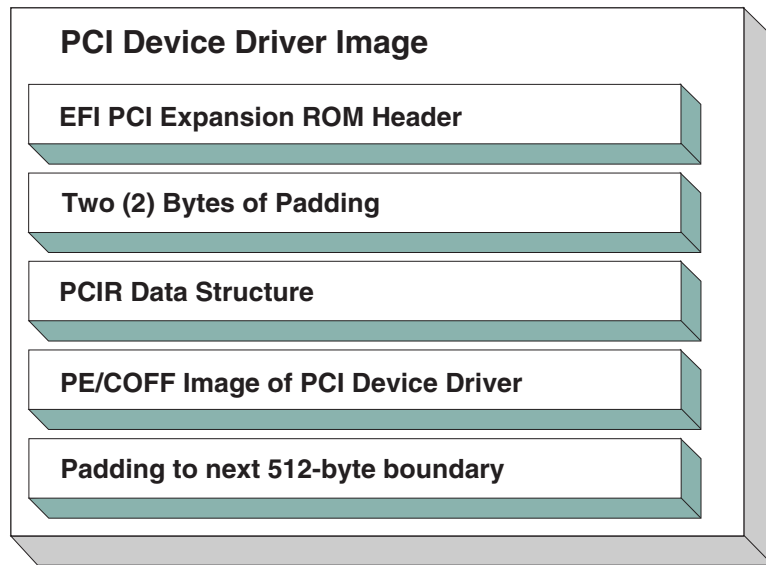
It is the PCI Bus Driver's responsibility to verify that the Expansion ROM Header and PCIR Data Structure are valid. It is the responsibility of the Boot Service **LoadImage ()** to verify that the PE/COFF image is valid. The Boot Service **LoadImage ()** may fail for several reasons including a corrupt PE/COFF image or an unsupported Machine Type.

The PCI Option ROM search may produce one or more Driver Image Handles for the PCI Controller that is associated with the PCI Option ROM. The PCI Bus Driver is responsible for producing a Bus Specific Driver Override Protocol instance for every PCI Controller that has a PCI Option ROM that contains one or more UEFI Drivers. The Bus Specific Driver Override Protocol produces an ordered list of Driver Image Handles. The order that the UEFI Drivers are placed in the PCI Option ROM is the order of Driver Image Handles that must be returned by the Bus Specific Driver Override Protocol. This gives the party that builds the PCI Option ROM control over the order that the drivers are used in the Boot Service **ConnectController ()**.

### 13.4.2.2 PCI Device Driver Responsibilities

A PCI Device Driver should not be designed to care where it is stored. It can reside in a PCI Option ROM, the system's motherboard ROM, a hard drive, a CD-ROM drive, etc. All PCI Device Drivers are compiled and linked to generate a PE/COFF image. When a PE/COFF image is placed in a PCI Option ROM, it must follow the rules outlined in Section 0. The recommended image layout is to insert an EFI PCI Expansion ROM Header and a PCIR Data Structure in front of the PE/COFF image, and pad the entire image up to the next 512-byte boundary. Figure 41 shows the format of a single PCI Device Driver that can be added to a PCI Option ROM.





**Figure 41. Recommended PCI Driver Image Layout**

The field values for the EFI PCI Expansion ROM Header and the PCIR Data Structure would be as follows in this recommended PCI Driver image layout. An image must start at a 512-byte boundary, and the end of the image must be padded to the next 512-byte boundary.

**Table 98. Recommended PCI Device Driver Layout**

Offset	Byte Length	Value	Description
0x00	1	0x55	ROM Signature, byte 1
0x01	1	0xAA	ROM Signature, byte 2
0x02	2	XXXX	Initialization Size – size of this image in units of 512 bytes. The size includes this header
0x04	4	0x0EF1	Signature from EFI image header
0x08	2	XX 0x0B 0x0C	Subsystem Value from the PCI Driver's PE/COFF Image Header Subsystem Value for an EFI Boot Service Driver Subsystem Value for an EFI Runtime Driver
0x0a	2	XX 0x014C 0x0200 0x0EBC 0x8664	Machine type from the PCI Driver's PE/COFF Image Header IA-32 Machine Type Itanium processor type EFI Byte Code (EBC) Machine Type X64 Machine Type
0x0C	2	XXXX 0x0000 0x0001	Compression Type Uncompressed Compressed following the <i>EFI 1.10 Compression Algorithm Specification</i>
0x0E	8	0x00	Reserved
0x16	2	0x0034	Offset to EFI Image
0x18	2	0x001C	Offset to PCIR Data Structure
0x1A	2	0x0000	Padding to align PCIR Data Structure on a 4 byte boundary
0x1C	4	'PCIR'	PCIR Data Structure Signature
0x20	2	XXXX	Vendor ID from the PCI Controller's Configuration Header
0x22	2	XXXX	Device ID from the PCI Controller's Configuration Header
0x24	2	0x0000	Reserved
0x26	2	0x0018	The length if the PCIR Data Structure in bytes
0x28	1	0x00	PCIR Data Structure Revision. Value for PCI 2.2 Option ROM
0x29	3	XXXX	Class Code from the PCI Controller's Configuration Header
0x2C	2	XXXX	Code Image Length in units of 512 bytes. Same as Initialization Size
0x2E	2	XXXX	Revision Level of the Code/Data. This field is ignored
0x30	1	0x03	Code Type
0x31	1	XX	Indicator. Bit 7 clear means another image follows. Bit 7 set means that this image is the last image in the PCI Option ROM. Bits 0–6 are reserved.

Offset	Byte Length	Value	Description
		0x00 0x80	Additional images follow this image in the PCI Option ROM This image is the last image in the PCI Option ROM
0x32	2	0x0000	Reserved
0x34	X	XXXX	The beginning of the PCI Device Driver's PE/COFF Image

### 13.4.3 Nonvolatile Storage

A PCI adapter may contain some form of nonvolatile storage. Since there are no standard access mechanisms for nonvolatile storage on PCI adapters, the PCI I/O Protocol does not provide any services for nonvolatile storage. However, a PCI Device Driver may choose to implement its own access mechanisms. If there is a private channel between a PCI Controller and a nonvolatile storage device, a PCI Device Driver can use it for configuration options or vital product data.

#### NOTE

---

*The fields `RomImage` and `RomSize` in the PCI I/O Protocol do not provide direct access to the PCI Option ROM on a PCI adapter. Instead, they provide access to a copy of the PCI Option ROM in memory. If the contents of the `RomImage` are modified, only the memory copy is updated. If a vendor wishes to update the contents of a PCI Option ROM, they must provide their own utility or driver to perform this task. There is no guarantee that the BAR for the PCI Option ROM is valid at the time that the utility or driver may execute, so the utility or driver must provide the code required to gain write access to the PCI Option ROM contents. The algorithm for gaining write access to a PCI Option ROM is both platform specific and adapter specific, so it is outside the scope of this document.*

---

### 13.4.4 PCI Hot-Plug Events

It is possible to design a PCI Bus Driver to work with PCI Bus that conforms to the PCI Hot-Plug Specification. There are two levels of functionality that could be provided in the preboot environment. The first is to initialize the PCI Hot-Plug capable bus so it can be used by an operating system that also conforms to the PCI Hot-Plug Specification. This only affects the PCI Enumeration that is performed in either the PCI Bus Driver's initialization, or a firmware component that executes prior to the PCI Bus Driver's initialization. None of the PCI Device Drivers need to be aware of the fact that a PCI Controller may exist in a slot that is capable of a hot-plug event. Also, the addition, removal, and replacement of PCI adapters in the preboot environment would not be allowed.

The second level of functionality is to actually implement the full hot-plug capability in the PCI Bus Driver. This is not recommended because it adds a great deal of complexity to the PCI Bus Driver design with very little added value. However, there is nothing about the PCI Driver Model that would preclude this implementation. It would have to use an event based periodic timer to monitor the hot-plug capable slots, and take advantage of the [ConnectController\(\)](#) and [DisconnectController\(\)](#) Boot Services to dynamically start and stop the drivers that manage the PCI controller that is being added, removed, or replaced.

# Protocols — SCSI Driver Models and Bus Support

---

The intent of this chapter is to specify a method of providing direct access to SCSI devices. These protocols provide services that allow a generic driver to produce the Block I/O protocol for SCSI disk devices, and allows an EFI utility to issue commands to any SCSI device. The main reason to provide such an access is to enable S.M.A.R.T. functionality during POST (i.e., issuing Mode Sense, Mode Select, and Log Sense to SCSI devices). This is accomplished by using a generic API such as SCSI Pass Thru. The use of this method will enable additional functionality in the future without modifying the EFI SCSI Pass Thru driver. SCSI Pass Thru is not limited to SCSI channels. It is applicable to all channel technologies that utilize SCSI commands such as SCSI, ATAPI, and Fibre Channel. This chapter describes the SCSI Driver Model. This includes the behavior of SCSI Bus Drivers, the behavior of SCSI Device Drivers, and a detailed description of the SCSI I/O Protocol. This chapter provides enough material to implement a SCSI Bus Driver, and the tools required to design and implement SCSI Device Drivers. It does not provide any information on specific SCSI devices.

## 14.1 SCSI Driver Model Overview

The EFI SCSI Driver Stack includes the SCSI Pass Thru Driver, SCSI Bus Driver and individual SCSI Device Drivers.

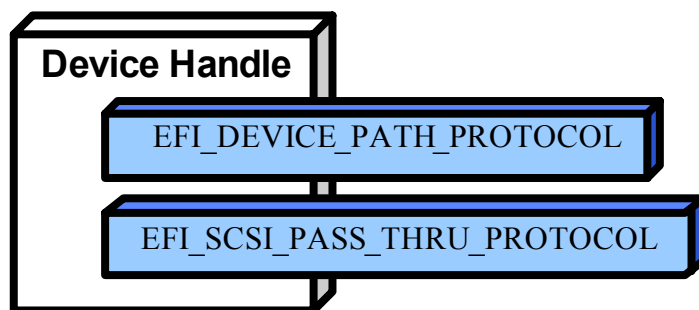
**SCSI Pass Thru Driver:** A SCSI Pass Through Driver manages a SCSI Host Controller that contains one or more SCSI Buses. It creates SCSI Bus Controller Handles for each SCSI Bus, and attaches SCSI Pass Thru Protocol and Device Path Protocol to each handle the driver produced. Please refer to *EFI 1.1 SCSI Pass Thru Protocol, Version 0.8* for details about the protocol.

**SCSI Bus Driver:** A SCSI Bus Driver manages a SCSI Bus Controller Handle that is created by SCSI Pass Thru Driver. It creates SCSI Device Handles for each SCSI Device Controller detected during SCSI Bus Enumeration, and attaches SCSI I/O Protocol and Device Path Protocol to each handle the driver produced.

**SCSI Device Driver:** A SCSI Device Driver manages one kind of SCSI Device. Device handles for SCSI Devices are created by SCSI Bus Drivers. A SCSI Device Driver could be a bus driver itself, and may create child handles. But most SCSI Device Drivers will be device drivers that do not create new handles. For the pure device driver, it attaches protocol instance to the device handle of the SCSI Device. These protocol instances are I/O abstractions that allow the SCSI Device to be used in the pre-boot environment. The most common I/O abstractions are used to boot an EFI compliant OS.

## 14.2 SCSI Bus Drivers

A SCSI Bus Driver manages a SCSI Bus Controller Handle. A SCSI Bus Controller Handle is created by a SCSI Pass Thru Driver and is abstracted in software with the SCSI Pass Thru Protocol. A SCSI Bus Driver will manage handles that contain this protocol. Figure 42 shows an example device handle for a SCSI Bus handle. It contains a Device Path Protocol instance and a SCSI Pass Thru Protocol Instance.



Error! Bookmark not defined.

---

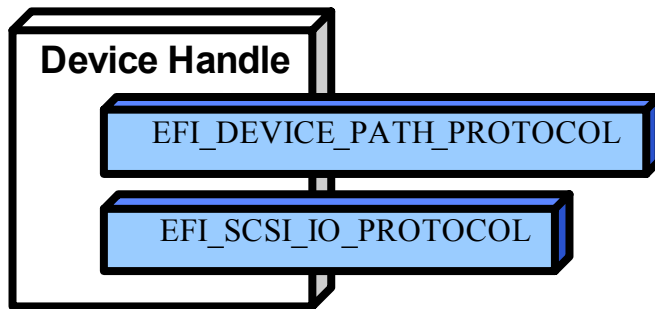
Figure 42. Device Handle for a SCSI Bus Controller

### 14.2.1 Driver Binding Protocol for SCSI Bus Drivers

The Driver Binding Protocol contains three services. These are **Supported()**, **Start()**, and **Stop()**. **Supported()** tests to see if the SCSI Bus Driver can manage a device handle. A SCSI Bus Driver can only manage device handle that contain the Device Path Protocol and the SCSI Pass Thru Protocol, so a SCSI Bus Driver must look for these two protocols on the device handle that is being tested.

The **Start()** function tells the SCSI Bus Driver to start managing a device handle. The device handle should support the protocols shown in Figure 42. The SCSI Pass Thru Protocol provides information about a SCSI Channel and the ability to communicate with any SCSI devices attached to that SCSI Channel.

The SCSI Bus Driver has the option of creating all of its children in one call to **Start()**, or spreading it across several calls to **Start()**. In general, if it is possible to design a bus driver to create one child at a time, it should do so to support the rapid boot capability in the UEFI Driver Model. Each of the child device handles created in **Start()** must contain a Device Path Protocol instance, and a SCSI I/O protocol instance. The SCSI I/O Protocol is described in Section 14.4 and Section 13.4. The format of device paths for SCSI Devices is described in Section 14.6. Figure 43 shows an example child device handle that is created by a SCSI Bus Driver for a SCSI Device.



Error! Bookmark not defined.

---

**Figure 43. Child Handle Created by a SCSI Bus Driver**

A SCSI Bus Driver must perform several steps to manage a SCSI Bus.

7. Scan for the SCSI Devices on the SCSI Channel that connected to the SCSI Bus Controller. If a request is being made to scan only one SCSI Device, then only looks for the one specified. Create a device handle for the SCSI Device found.
8. Install a Device Path Protocol instance and a SCSI I/O Protocol instance on the device handle created for each SCSI Device.

The **Stop ()** function tells the SCSI Bus Driver to stop managing a SCSI Bus. The **Stop ()** function can destroy one or more of the device handles that were created on a previous call to **Start ()**. If all of the child device handles have been destroyed, then **Stop ()** will place the SCSI Bus Controller in a quiescent state. The functionality of **Stop ()** mirrors **Start ()**.

## 14.2.2 SCSI Enumeration

The purpose of the SCSI Enumeration is only to scan for the SCSI Devices attached to the specific SCSI channel. The SCSI Bus driver need not allocate resources for SCSI Devices (like PCI Bus Drivers do), nor need it connect a SCSI Device with its Device Driver (like USB Bus Drivers do). The details of the SCSI Enumeration is implementation specific, thus is out of the scope of this document.

## 14.3 SCSI Device Drivers

SCSI Device Drivers manage SCSI Devices. Device handles for SCSI Devices are created by SCSI Bus Drivers. A SCSI Device Driver could be a bus driver itself, and may create child handles. But most SCSI Device Drivers will be device drivers that do not create new handles. For the pure device driver, it attaches protocol instance to the device handle of the SCSI Device. These protocol instances are I/O abstractions that allow the SCSI Device to be used in the pre-boot environment. The most common I/O abstractions are used to boot an EFI compliant OS.

### 14.3.1 Driver Binding Protocol for SCSI Device Drivers

The Driver Binding Protocol contains three services. These are **Supported()**, **Start()**, and **Stop()**. **Supported()** tests to see if the SCSI Device Driver can manage a device handle. A SCSI Device Driver can only manage device handle that contain the Device Path Protocol and the SCSI I/O Protocol, so a SCSI Device Driver must look for these two protocols on the device handle that is being tested. In addition, it needs to check to see if the device handle represents a SCSI Device that SCSI Device Driver knows how to manage. This is typically done by using the services of the SCSI I/O Protocol to see whether the device information retrieved is supported by the device driver.

The **Start()** function tells the SCSI Device Driver to start managing a SCSI Device. A SCSI Device Driver could be a bus driver itself, and may create child handles. But most SCSI Device Drivers will be device drivers that do not create new handles. For the pure device driver, it installs one or more addition protocol instances on the device handle for the SCSI Device.

The **Stop()** function mirrors the **Start()** function, so the **Stop()** function completes any outstanding transactions to the SCSI Device and removes the protocol interfaces that were installed in **Start()**.

## 14.4 EFI SCSI I/O Protocol Overview

This section defines the EFI SCSI I/O protocol. This protocol is used by code, typically drivers, running in the EFI boot services environment to access SCSI devices. In particular, functions for managing devices on SCSI buses are defined here.

The interfaces provided in the **EFI\_SCSI\_IO\_PROTOCOL** are for performing basic operations to access SCSI devices.



## 14.5 EFI\_SCSI\_IO\_PROTOCOL

This section provides a detailed description of the `EFI_SCSI_IO_PROTOCOL`.

### Summary

Provides services to manage and communicate with SCSI devices.

### GUID

```
#define EFI_SCSI_IO_PROTOCOL_GUID \
    {0x932f47e6, 0x2362, 0x4002, 0x80, 0x3e, 0x3c, 0xd5, 0x4b, 0x13, \
    0x8f, 0x85}
```

### Protocol Interface Structure

```
typedef struct _EFI_SCSI_IO_PROTOCOL {
    EFI_SCSI_IO_PROTOCOL_GET_DEVICE_TYPE           GetDeviceType;
    EFI_SCSI_IO_PROTOCOL_GET_DEVICE_LOCATION       GetDeviceLocation;
    EFI_SCSI_IO_PROTOCOL_RESET_BUS                 ResetBus;
    EFI_SCSI_IO_PROTOCOL_RESET_DEVICE              ResetDevice;
    EFI_SCSI_IO_PROTOCOL_EXECUTE_SCSI_COMMAND     ExecuteScsiCommand;
    UINT32                                          IoAlign;
} EFI_SCSI_IO_PROTOCOL;
```

### Parameters

<i>IoAlign</i>	Supplies the alignment requirement for any buffer used in a data transfer. <i>IoAlign</i> values of 0 and 1 mean that the buffer can be placed anywhere in memory. Otherwise, <i>IoAlign</i> must be a power of 2, and the requirement is that the start address of a buffer must be evenly divisible by <i>IoAlign</i> with no remainder.
<i>GetDeviceType</i>	Retrieves the information of the device type which the SCSI device belongs to. See Section 14.5.1.
<i>GetDeviceLocation</i>	Retrieves the device location information in the SCSI bus. See Section 14.5.2.
<i>ResetBus</i>	Resets the entire SCSI bus the SCSI device attaches to. See Section 14.5.3.
<i>ResetDevice</i>	Resets the SCSI Device that is specified by the device handle the SCSI I/O protocol attaches. See Section 14.5.4.
<i>ExecuteScsiCommand</i>	Sends a SCSI command to the SCSI device and waits for the execution completion until an exit condition is met, or a timeout occurs. See Section 14.5.5.

## Description

The **EFI\_SCSI\_IO\_PROTOCOL** provides the basic functionalities to access and manage a SCSI Device. There is one **EFI\_SCSI\_IO\_PROTOCOL** instance for each SCSI Device on a SCSI Bus. A device driver that wishes to manage a SCSI Device in a system will have to retrieve the **EFI\_SCSI\_IO\_PROTOCOL** instance that is associated with the SCSI Device. A device handle for a SCSI Device will minimally contain an **EFI\_DEVICE\_PATH\_PROTOCOL** instance and an **EFI\_SCSI\_IO\_PROTOCOL** instance.

## 14.5.1 EFI\_SCSI\_IO\_PROTOCOL.GetDeviceType()

### Summary

Retrieves the device type information of the SCSI Device.

### Prototype

```
typedef
EFI_STATUS
(EFIAPI *EFI_SCSI_IO_PROTOCOL_GET_DEVICE_TYPE) (
    IN EFI_SCSI_IO_PROTOCOL      *This,
    OUT UINT8                    *DeviceType
);
```

### Parameters

<i>This</i>	A pointer to the <b>EFI_SCSI_IO_PROTOCOL</b> instance. Type <b>EFI_SCSI_IO_PROTOCOL</b> is defined in Section 13.4.
<i>DeviceType</i>	A pointer to the device type information retrieved from the SCSI Device. See “Related Definitions” for the possible returned values of this parameter.

### Description

This function is used to retrieve the SCSI device type information. This function is typically used for SCSI Device Drivers to quickly recognize whether the SCSI Device could be managed by it.

If *DeviceType* is **NULL**, then **EFI\_INVALID\_PARAMETER** is returned. Otherwise, the device type is returned in *DeviceType* and **EFI\_SUCCESS** is returned.

### Related Definitions

//Defined in the SCSI Primary Commands standard (e.g., SPC-4)

```

//
#define EFI_SCSI_IO_TYPE_DISK           0x00 // Disk device
#define EFI_SCSI_IO_TYPE_TAPE           0x01 // Tape device
#define EFI_SCSI_IO_TYPE_PRINTER        0x02 // Printer
#define EFI_SCSI_IO_TYPE_PROCESSOR      0x03 // Processor
#define EFI_SCSI_IO_TYPE_WORM           0x04 // Write-once read-multiple
#define EFI_SCSI_IO_TYPE_CDROM          0x05 // CD or DVD device
#define EFI_SCSI_IO_TYPE_SCANNER        0x06 // Scanner device
#define EFI_SCSI_IO_TYPE_OPTICAL        0x07 // Optical memory device
#define EFI_SCSI_IO_TYPE_MEDIUMCHANGER 0x08 // Medium Changer device
#define EFI_SCSI_IO_TYPE_COMMUNICATION 0x09 // Communications device
#define MFI_SCSI_IO_TYPE_A              0x0A // Obsolete
#define MFI_SCSI_IO_TYPE_B              0x0B // Obsolete
#define MFI_SCSI_IO_TYPE_RAID           0x0C // Storage array controller
                                         device (e.g., RAID)
#define MFI_SCSI_IO_TYPE_SES            0x0D // Enclosure services
                                         device
#define MFI_SCSI_IO_TYPE_RBC            0x0E // Simplified direct-access
device (e.g., magnetic disk)
#define MFI_SCSI_IO_TYPE_OCRW           0x0F // Optical card
reader/writer device
#define MFI_SCSI_IO_TYPE_BRIDGE         0x10 // Bridge Controller
                                         Commands
#define MFI_SCSI_IO_TYPE OSD            0x11 // Object-based Storage
                                         Device
#define EFI_SCSI_IO_TYPE_RESERVED_LOW   0x12 // Reserved (low)
#define EFI_SCSI_IO_TYPE_RESERVED_HIGH 0x1E // Reserved (high)
#define EFI_SCSI_IO_TYPE_UNKNOWN        0x1F // Unknown no device type

```

## Status Codes Returned

EFI_SUCCESS	Retrieves the device type information successfully.
EFI_INVALID_PARAMETER	The <i>DeviceType</i> is <b>NULL</b> .

## 14.5.2 EFI\_SCSI\_IO\_PROTOCOL. GetDeviceLocation()

### Summary

Retrieves the SCSI device location in the SCSI channel.

### Prototype

```
typedef
EFI_STATUS
(EFIAPI *EFI_SCSI_IO_PROTOCOL_GET_DEVICE_LOCATION) (
    IN EFI_SCSI_IO_PROTOCOL      *This,
    IN OUT UINT8                 **Target,
    OUT  UINT64                  *Lun
);
```

### Parameters

*This* A pointer to the **EFI\_SCSI\_IO\_PROTOCOL** instance. Type **EFI\_SCSI\_IO\_PROTOCOL** is defined in Section 13.4.

*Target* A pointer to the Target Array which represents the ID of a SCSI device on the SCSI channel.

*Lun* A pointer to the Logical Unit Number of the SCSI device on the SCSI channel.

### Description

This function is used to retrieve the SCSI device location in the SCSI bus. The device location is determined by a (Target, Lun) pair. This function allows a SCSI Device Driver to retrieve its location on the SCSI channel, and may use the SCSI Pass Thru Protocol to access the SCSI device directly.

If *Target* or *Lun* is **NULL**, then **EFI\_INVALID\_PARAMETER** is returned. Otherwise, the device location is returned in *Target* and *Lun*, and **EFI\_SUCCESS** is returned.

### Status Codes Returned

EFI_SUCCESS	Retrieves the device location successfully.
EFI_INVALID_PARAMETER	<i>Target</i> or <i>Lun</i> is <b>NULL</b> .

### 14.5.3 EFI\_SCSI\_IO\_PROTOCOL.ResetBus()

#### Summary

Resets the SCSI Bus that the SCSI Device is attached to.

#### Prototype

```
typedef
EFI_STATUS
(EFIAPI *EFI_SCSI_IO_PROTOCOL_RESET_BUS) (
    IN EFI_SCSI_IO_PROTOCOL      *This
);
```

#### Parameters

*This* A pointer to the **EFI\_SCSI\_IO\_PROTOCOL** instance. Type **EFI\_SCSI\_IO\_PROTOCOL** is defined in Section 13.4.

#### Description

This function provides the mechanism to reset the whole SCSI bus that the specified SCSI Device is connected to. Some SCSI Host Controller may not support bus reset, if so, **EFI\_UNSUPPORTED** is returned. If a device error occurs while executing that bus reset operation, then **EFI\_DEVICE\_ERROR** is returned. If a timeout occurs during the execution of the bus reset operation, then **EFI\_TIMEOUT** is returned. If the bus reset operation is completed, then **EFI\_SUCCESS** is returned.

#### Status Codes Returned

EFI_SUCCESS	The SCSI bus is reset successfully.
EFI_DEVICE_ERROR	Errors encountered when resetting the SCSI bus.
EFI_UNSUPPORTED	The bus reset operation is not supported by the SCSI Host Controller.
EFI_TIMEOUT	A timeout occurred while attempting to reset the SCSI bus.

## 14.5.4 EFI\_SCSI\_IO\_PROTOCOL.ResetDevice()

### Summary

Resets the SCSI Device that is specified by the device handle that the SCSI I/O Protocol is attached.

### Prototype

```
typedef
EFI_STATUS
(EFIAPI *EFI_SCSI_IO_PROTOCOL_RESET_DEVICE) (
    IN EFI_SCSI_IO_PROTOCOL      *This
);
```

### Parameters

*This*                      A pointer to the **EFI\_SCSI\_IO\_PROTOCOL** instance. Type **EFI\_SCSI\_IO\_PROTOCOL** is defined in Section 13.4.

### Description

This function provides the mechanism to reset the SCSI Device. If the SCSI bus does not support a device reset operation, then **EFI\_UNSUPPORTED** is returned. If a device error occurs while executing that device reset operation, then **EFI\_DEVICE\_ERROR** is returned. If a timeout occurs during the execution of the device reset operation, then **EFI\_TIMEOUT** is returned. If the device reset operation is completed, then **EFI\_SUCCESS** is returned.

### Status Codes Returned

EFI_SUCCESS	Reset the SCSI Device successfully.
EFI_DEVICE_ERROR	Errors are encountered when resetting the SCSI Device.
EFI_UNSUPPORTED	The SCSI bus does not support a device reset operation.
EFI_TIMEOUT	A timeout occurred while attempting to reset the SCSI Device.

## 14.5.5 EFI\_SCSI\_IO\_PROTOCOL. ExecuteScsiCommand()

### Summary

Sends a SCSI Request Packet to the SCSI Device for execution.

### Prototype

```
typedef
EFI_STATUS
(EFIAPI *EFI_SCSI_IO_PROTOCOL_EXECUTE_SCSI_COMMAND) (
    IN      EFI_SCSI_IO_PROTOCOL          *This,
    IN OUT  EFI_SCSI_IO_SCSI_REQUEST_PACKET *Packet,
    IN      EFI_EVENT                     Event OPTIONAL
);
```

### Parameters

<i>This</i>	A pointer to the <b>EFI_SCSI_IO_PROTOCOL</b> instance. Type <b>EFI_SCSI_IO_PROTOCOL</b> is defined in Section 13.4.
<i>Packet</i>	The SCSI request packet to send to the SCSI Device specified by the device handle. See “Related Definitions” for a description of <b>EFI_SCSI_IO_SCSI_REQUEST_PACKET</b> .
<i>Event</i>	If the SCSI bus where the SCSI device is attached does not support non-blocking I/O, then <i>Event</i> is ignored, and blocking I/O is performed. If <i>Event</i> is <b>NULL</b> , then blocking I/O is performed. If <i>Event</i> is not <b>NULL</b> and non-blocking I/O is supported, then non-blocking I/O is performed, and <i>Event</i> will be signaled when the SCSI Request Packet completes.

### Related Definitions

```
typedef struct {
    UINT64      Timeout;
    VOID        *InDataBuffer;
    VOID        *OutDataBuffer;
    VOID        *SenseData;
    VOID        *Cdb;
    UINT32      InTransferLength;
    UINT32      OutTransferLength;
    UINT8       CdbLength;
    UINT8       DataDirection;
    UINT8       HostAdapterStatus;
    UINT8       TargetStatus;
    UINT8       SenseDataLength;
} EFI_SCSI_IO_SCSI_REQUEST_PACKET;
```



<i>Timeout</i>	The timeout, in 100 ns units, to use for the execution of this SCSI Request Packet. A <i>Timeout</i> value of 0 means that this function will wait indefinitely for the SCSI Request Packet to execute. If <i>Timeout</i> is greater than zero, then this function will return <b>EFI_TIMEOUT</b> if the time required to execute the SCSI Request Packet is greater than <i>Timeout</i> .
<i>DataBuffer</i>	A pointer to the data buffer to transfer from or to the SCSI device.
<i>InDataBuffer</i>	A pointer to the data buffer to transfer between the SCSI controller and the SCSI device for SCSI READ command. For all SCSI WRITE Commands this must point to <b>NULL</b> .
<i>OutDataBuffer</i>	A pointer to the data buffer to transfer between the SCSI controller and the SCSI device for SCSI WRITE command. For all SCSI READ commands this field must point to <b>NULL</b> .
<i>SenseData</i>	A pointer to the sense data that was generated by the execution of the SCSI Request Packet.
<i>Cdb</i>	A pointer to buffer that contains the Command Data Block to send to the SCSI device.
<i>InTransferLength</i>	On Input, the size, in bytes, of <i>InDataBuffer</i> . On output, the number of bytes transferred between the SCSI controller and the SCSI device. If <i>InTransferLength</i> is larger than the SCSI controller can handle, no data will be transferred, <i>InTransferLength</i> will be updated to contain the number of bytes that the SCSI controller is able to transfer, and <b>EFI_BAD_BUFFER_SIZE</b> will be returned.
<i>OutTransferLength</i>	On Input, the size, in bytes of <i>OutDataBuffer</i> . On Output, the Number of bytes transferred between SCSI Controller and the SCSI device. If <i>OutTransferLength</i> is larger than the SCSI controller can handle, no data will be transferred, <i>OutTransferLength</i> will be updated to contain the number of bytes that the SCSI controller is able to transfer, and <b>EFI_BAD_BUFFER_SIZE</b> will be returned.
<i>CdbLength</i>	The length, in bytes, of the buffer <i>Cdb</i> . The standard values are 6, 10, 12, and 16, but other values are possible if a variable length <i>CDB</i> is used.
<i>DataDirection</i>	The direction of the data transfer. 0 for reads, 1 for writes. A value of 2 is Reserved for Bi-Directional SCSI commands. For example XDREADWRITE. All other values are reserved, and must not be used.
<i>HostAdapterStatus</i>	The status of the SCSI Host Controller that produces the SCSI bus where the SCSI device attached when the SCSI Request Packet was executed on the SCSI Controller. See the possible values listed below.
<i>TargetStatus</i>	The status returned by the SCSI device when the SCSI Request Packet was executed. See the possible values listed below.
<i>SenseDataLength</i>	On input, the length in bytes of the <i>SenseData</i> buffer. On output, the number of bytes written to the <i>SenseData</i> buffer.

```

//
// DataDirection
//
#define EFI_SCSI_IO_DATA_DIRECTION_READ            0
#define EFI_SCSI_IO_DATA_DIRECTION_WRITE          1
#define EFI_SCSI_IO_DATA_DIRECTION_BIDIRECTIONAL  2

//
// HostAdapterStatus
//
#define EFI_SCSI_IO_STATUS_HOST_ADAPTER_OK        0x00
#define EFI_SCSI_IO_STATUS_HOST_ADAPTER_TIMEOUT_COMMAND 0x09
#define EFI_SCSI_IO_STATUS_HOST_ADAPTER_TIMEOUT  0x0b
#define EFI_SCSI_IO_STATUS_HOST_ADAPTER_MESSAGE_REJECT 0x0d
#define EFI_SCSI_IO_STATUS_HOST_ADAPTER_BUS_RESET 0x0e
#define EFI_SCSI_IO_STATUS_HOST_ADAPTER_PARITY_ERROR 0x0f
#define EFI_SCSI_IO_STATUS_HOST_ADAPTER_REQUEST_SENSE_FAILED 0x10
#define EFI_SCSI_IO_STATUS_HOST_ADAPTER_SELECTION_TIMEOUT 0x11
#define EFI_SCSI_IO_STATUS_HOST_ADAPTER_DATA_OVERRUN_UNDERRUN 0x12
#define EFI_SCSI_IO_STATUS_HOST_ADAPTER_BUS_FREE 0x13
#define EFI_SCSI_IO_STATUS_HOST_ADAPTER_PHASE_ERROR 0x14
#define EFI_SCSI_IO_STATUS_HOST_ADAPTER_OTHER 0x7f

//
// TargetStatus
//
#define EFI_SCSI_IO_STATUS_TARGET_GOOD            0x00
#define EFI_SCSI_IO_STATUS_TARGET_CHECK_CONDITION 0x02
#define EFI_SCSI_IO_STATUS_TARGET_CONDITION_MET  0x04
#define EFI_SCSI_IO_STATUS_TARGET_BUSY           0x08
#define EFI_SCSI_IO_STATUS_TARGET_INTERMEDIATE  0x10
#define EFI_SCSI_IO_STATUS_TARGET_INTERMEDIATE_CONDITION_MET 0x14
#define EFI_SCSI_IO_STATUS_TARGET_RESERVATION_CONFLICT 0x18
#define EFI_SCSI_IO_STATUS_TARGET_COMMAND_TERMINATED 0x22
#define EFI_SCSI_IO_STATUS_TARGET_QUEUE_FULL    0x28

```

## Description

This function sends the SCSI Request Packet specified by *Packet* to the SCSI Device.

If the SCSI Bus supports non-blocking I/O and *Event* is not **NULL**, then this function will return immediately after the command is sent to the SCSI Device, and will later signal *Event* when the command has completed. If the SCSI Bus supports non-blocking I/O and *Event* is **NULL**, then this function will send the command to the SCSI Device and block until it is complete. If the SCSI Bus does not support non-blocking I/O, the *Event* parameter is ignored, and the function will send the command to the SCSI Device and block until it is complete.

If *Packet* is successfully sent to the SCSI Device, then **EFI\_SUCCESS** is returned.

If *Packet* cannot be sent because there are too many packets already queued up, then **EFI\_NOT\_READY** is returned. The caller may retry *Packet* at a later time.

If a device error occurs while sending the *Packet*, then **EFI\_DEVICE\_ERROR** is returned.

If a timeout occurs during the execution of *Packet*, then **EFI\_TIMEOUT** is returned.

If any field of *Packet* is invalid, then **EFI\_INVALID\_PARAMETER** is returned.

If the data buffer described by *DataBuffer* and *TransferLength* is too big to be transferred in a single command, then **EFI\_WARN\_BUFFER\_TOO\_SMALL** is returned. The number of bytes actually transferred is returned in *TransferLength*.

If the command described in *Packet* is not supported by the SCSI Host Controller that produces the SCSI bus, then **EFI\_UNSUPPORTED** is returned.

If **EFI\_SUCCESS**, **EFI\_WARN\_BUFFER\_TOO\_SMALL**, **EFI\_DEVICE\_ERROR**, or **EFI\_TIMEOUT** is returned, then the caller must examine the status fields in *Packet* in the following precedence order: *HostAdapterStatus* followed by *TargetStatus* followed by *SenseDataLength*, followed by *SenseData*. If non-blocking I/O is being used, then the status fields in *Packet* will not be valid until the *Event* associated with *Packet* is signaled.

If **EFI\_NOT\_READY**, **EFI\_INVALID\_PARAMETER** or **EFI\_UNSUPPORTED** is returned, then *Packet* was never sent, so the status fields in *Packet* are not valid. If non-blocking I/O is being used, the *Event* associated with *Packet* will not be signaled.

## Status Codes Returned

EFI_SUCCESS	The SCSI Request Packet was sent by the host. For read and bi-directional commands, <i>InTransferLength</i> bytes were transferred to <i>InDataBuffer</i> . For write and bi-directional commands, <i>OutTransferLength</i> bytes were transferred from <i>OutDataBuffer</i> . See <i>HostAdapterStatus</i> , <i>TargetStatus</i> , <i>SenseDataLength</i> , and <i>SenseData</i> in that order for additional status information.
EFI_WARN_BUFFER_TOO_SMALL	The SCSI Request Packet was not executed. For read and bi-directional commands, the number of bytes that could be transferred is returned in <i>InTransferLength</i> . For write and bi-directional commands, the number of bytes that could be transferred is returned in <i>OutTransferLength</i> . See <i>HostAdapterStatus</i> and <i>TargetStatus</i> in that order for additional status information.
EFI_NOT_READY	The SCSI Request Packet could not be sent because there are too many SCSI Command Packets already queued. The caller may retry again later.
EFI_DEVICE_ERROR	A device error occurred while attempting to send the SCSI Request Packet. See <i>HostAdapterStatus</i> , <i>TargetStatus</i> , <i>SenseDataLength</i> , and <i>SenseData</i> in that order for additional status information.
EFI_INVALID_PARAMETER	The contents of <i>CommandPacket</i> are invalid. The SCSI Request Packet was not sent, so no additional status information is available.
EFI_UNSUPPORTED	The command described by the SCSI Request Packet is not supported by the SCSI initiator (i.e., SCSI Host Controller). The SCSI Request Packet was not sent, so no additional status information is available.
EFI_TIMEOUT	A timeout occurred while waiting for the SCSI Request Packet to execute. See <i>HostAdapterStatus</i> , <i>TargetStatus</i> , <i>SenseDataLength</i> , and <i>SenseData</i> in that order for additional status information.

## 14.6 SCSI Device Paths

An **EFI\_SCSI\_IO\_PROTOCOL** must be installed on a handle for its services to be available to SCSI device drivers. In addition to the **EFI\_SCSI\_IO\_PROTOCOL**, an **EFI\_DEVICE\_PATH\_PROTOCOL** must also be installed on the same handle. See Chapter 9 for detailed description of the **EFI\_DEVICE\_PATH\_PROTOCOL**.

The SCSI Driver Model defined in this document can support the SCSI channel generated or emulated by multiple architectures, such as Parallel SCSI, ATAPI, Fibre Channel, InfiniBand, and other future channel types. In this section, there are four example device paths provided, including SCSI device path, ATAPI device path, Fibre Channel device path and InfiniBand device path.

### 14.6.1 SCSI Device Path Example

Table 99 shows an example device path for a SCSI device controller on a desktop platform. This SCSI device controller is connected to a SCSI channel that is generated by a PCI SCSI host controller. The PCI SCSI host controller generates a single SCSI channel, it is located at PCI device number 0x07 and PCI function 0x00, and is directly attached to a PCI root bridge. The SCSI device controller is assigned SCSI Id 2, and its LUN is 0.

This sample device path consists of an ACPI Device Path Node, a PCI Device Path Node, a SCSI Node, and a Device Path End Structure. The **\_HID** and **\_UID** must match the ACPI table description of the PCI Root Bridge. The shorthand notation for this device path is:

**ACPI (PNP0A03 , 0) / PCI (7 | 0) / SCSI (2 , 0) .**

**Table 99. SCSI Device Path Examples**

Byte Offset	Byte Length	Data	Description
0x00	0x01	0x02	<b>Generic Device Path Header</b> – Type ACPI Device Path
0x01	0x01	0x01	Sub type – ACPI Device Path
0x02	0x02	0x0C	Length – 0x0C bytes
0x04	0x04	0x41D0, 0x0A03	<b>_HID</b> PNP0A03 – 0x41D0 represents a compressed string ‘PNP’ and is in the low order bytes.
0x08	0x04	0x0000	<b>_UID</b>
0x0C	0x01	0x01	<b>Generic Device Path Header</b> – Type Hardware Device Path
0x0D	0x01	0x01	Sub type – PCI
0x0E	0x02	0x06	Length – 0x06 bytes
0x10	0x01	0x07	PCI Function
0x11	0x01	0x00	PCI Device
0x12	0x01	0x03	<b>Generic Device Path Header</b> – Type Message Device Path
0x13	0x01	0x02	Sub type – SCSI
0x14	0x02	0x08	Length – 0x08 bytes
0x16	0x02	0x0002	Target ID on the SCSI bus (PUN)
0x18	0x02	0x0000	Logical Unit Number (LUN)

Byte Offset	Byte Length	Data	Description
0x1A	0x01	0xff	<b>Generic Device Path Header</b> – Type End of Hardware Device Path
0x1B	0x01	0xFF	Sub type – End of Entire Device Path
0x1C	0x02	0x04	Length – 0x04 bytes

## 14.6.2 ATAPI Device Path Example

Table 100 shows an example device path for an ATAPI device on a desktop platform. This ATAPI device is connected to the IDE bus on Primary channel, and is configured as the Master device on the channel. The IDE bus is generated by the IDE controller that is a PCI device. It is located at PCI device number 0x1F and PCI function 0x01, and is directly attached to a PCI root bridge.

This sample device path consists of an ACPI Device Path Node, a PCI Device Path Node, an ATAPI Node, and a Device Path End Structure. The `_HID` and `_UID` must match the ACPI table description of the PCI Root Bridge. The shorthand notation for this device path is:

**ACPI (PNP0A03, 0) / PCI (7 | 0) / ATAPI (Primary, Master) .**

**Table 100. ATAPI Device Path Examples**

Byte Offset	Byte Length	Data	Description
0x00	0x01	0x02	<b>Generic Device Path Header</b> – Type ACPI Device Path
0x01	0x01	0x01	Sub type – ACPI Device Path
0x02	0x02	0x0C	Length – 0x0C bytes
0x04	0x04	0x41D0, 0x0A03	<code>_HID</code> PNP0A03 – 0x41D0 represents a compressed string ‘PNP’ and is in the low order bytes.
0x08	0x04	0x0000	<code>_UID</code>
0x0C	0x01	0x01	<b>Generic Device Path Header</b> – Type Hardware Device Path
0x0D	0x01	0x01	Sub type – PCI
0x0E	0x02	0x06	Length – 0x06 bytes
0x10	0x01	0x07	PCI Function
0x11	0x01	0x00	PCI Device
0x12	0x01	0x03	<b>Generic Device Path Header</b> – Type Message Device Path
0x13	0x01	0x01	Sub type – ATAPI
0x14	0x02	0x08	Length – 0x08 bytes
0x16	0x01	0x00	PrimarySecondary – Set to zero for primary or one for secondary.
0x17	0x01	0x00	SlaveMaster – set to zero for master or one for slave.
0x18	0x02	0x0000	Logical Unit Number, LUN.
0x1A	0x01	0xFF	<b>Generic Device Path Header</b> – Type End of Hardware Device Path
0x1B	0x01	0xFF	Sub type – End of Entire Device Path
0x1C	0x02	0x04	Length – 0x04 bytes

### 14.6.3 Fibre Channel Device Path Example

Table 101 shows an example device path for an SCSI device that is connected to a Fibre Channel Port on a desktop platform. The Fibre Channel Port is a PCI device that is located at PCI device number 0x08 and PCI function 0x00, and is directly attached to a PCI root bridge. The Fibre Channel Port is addressed by the World Wide Number, and is assigned as X (X is a 64bit value); the SCSI device's Logical Unit Number is 0.

This sample device path consists of an ACPI Device Path Node, a PCI Device Path Node, a Fibre Channel Device Path Node, and a Device Path End Structure. The \_HID and \_UID must match the ACPI table description of the PCI Root Bridge. The shorthand notation for this device path is:

**ACPI (PNP0A03, 0) / PCI (8 | 0) / Fibre (X, 0) .**

**Table 101. Fibre Channel Device Path Examples**

Byte Offset	Byte Length	Data	Description
0x00	0x01	0x02	<b>Generic Device Path Header</b> – Type ACPI Device Path
0x01	0x01	0x01	Sub type – ACPI Device Path
0x02	0x02	0x0C	Length – 0x0C bytes
0x04	0x04	0x41D0, 0x0A03	_HID PNP0A03 – 0x41D0 represents a compressed string 'PNP' and is in the low order bytes.
0x08	0x04	0x0000	_UID
0x0C	0x01	0x01	<b>Generic Device Path Header</b> – Type Hardware Device Path
0x0D	0x01	0x01	Sub type – PCI
0x0E	0x02	0x06	Length – 0x06 bytes
0x10	0x01	0x08	PCI Function
0x11	0x01	0x00	PCI Device
0x12	0x01	0x03	<b>Generic Device Path Header</b> – Type Message Device Path
0x13	0x01	0x02	Sub type – Fibre Channel
0x14	0x02	0x24	Length – 0x24 bytes
0x16	0x04	0x00	Reserved
0x1A	0x08	X	Fibre Channel World Wide Number
0x22	0x08	0x00	Fibre Channel Logical Unit Number (LUN).
0x2A	0x01	0xFF	<b>Generic Device Path Header</b> – Type End of Hardware Device Path
0x2B	0x01	0xFF	Sub type – End of Entire Device Path
0x2C	0x02	0x04	Length – 0x04 bytes

## 14.6.4 InfiniBand Device Path Example

Table 102 shows an example device path for a SCSI device in an InfiniBand Network. This SCSI device is connected to a single SCSI channel generated by a SCSI Host Adapter, and the SCSI Host Adapter is an end node in the InfiniBand Network. The SCSI Host Adapter is a PCI device that is located at PCI device number 0x07 and PCI function 0x00, and is directly attached to a PCI root bridge. The SCSI device is addressed by the (IOU X, IOC Y, DeviceId Z) in the InfiniBand Network. (X, Y, Z are EUI-64 compliant identifiers).

This sample device path consists of an ACPI Device Path Node, a PCI Device Path Node, an InfiniBand Node, and a Device Path End Structure. The `_HID` and `_UID` must match the ACPI table description of the PCI Root Bridge. The shorthand notation for this device path is:

**ACPI (PNP0A03, 0) / PCI (7 | 0) / Infiniband (X, Y, Z) .**

**Table 102. InfiniBand Device Path Examples**

Byte Offset	Byte Length	Data	Description
0x00	0x01	0x02	<b>Generic Device Path Header</b> – Type ACPI Device Path
0x01	0x01	0x01	Sub type – ACPI Device Path
0x02	0x02	0x0C	Length – 0x0C bytes
0x04	0x04	0x41D0, 0x0A03	<code>_HID</code> PNP0A03 – 0x41D0 represents a compressed string 'PNP' and is in the low order bytes.
0x08	0x04	0x0000	<code>_UID</code>
0x0C	0x01	0x01	<b>Generic Device Path Header</b> – Type Hardware Device Path
0x0D	0x01	0x01	Sub type – PCI
0x0E	0x02	0x06	Length – 0x06 bytes
0x10	0x01	0x07	PCI Function
0x11	0x01	0x00	PCI Device
0x12	0x01	0x03	<b>Generic Device Path Header</b> – Type Message Device Path
0x13	0x01	0x09	Sub type – InfiniBand
0x14	0x02	0x20	Length – 0x20 bytes
0x16	0x04	0x00	Reserved
0x1A	0x08	X	64bit node GUID of the IOU
0x22	0x08	Y	64bit GUID of the IOC
0x2A	0x08	Z	64bit persistent ID of the device.
0x32	0x01	0xFF	<b>Generic Device Path Header</b> – Type End of Hardware Device Path
0x33	0x01	0xFF	Sub type – End of Entire Device Path
0x34	0x02	0x04	Length – 0x04 bytes



## 14.7 SCSI Pass Thru Device Paths

An **EFI SCSI PASS THRU PROTOCOL** must be installed on a handle for its services to be available to UEFI drivers and applications. In addition to the **EFI SCSI PASS THRU PROTOCOL**, an **EFI DEVICE PATH PROTOCOL** must also be installed on the same handle. See Chapter 9 for a detailed description of the **EFI\_DEVICE\_PATH\_PROTOCOL**.

A device path describes the location of a hardware component in a system from the processor's point of view. This includes the list of busses that lie between the processor and the SCSI controller. The *EFI Specification* takes advantage of the *ACPI Specification* to name system components. For the following set of examples, a PCI SCSI controller is assumed. The examples will show a SCSI controller on the root PCI bus, and a SCSI controller behind a PCI-PCI bridge. In addition, an example of a multichannel SCSI controller will be shown.

Table 103 shows an example device path for a single channel PCI SCSI controller that is located at PCI device number 0x07 and PCI function 0x00, and is directly attached to a PCI root bridge. This device path consists of an ACPI Device Path Node, a PCI Device Path Node, and a Device Path End Structure. The `_HID` and `_UID` must match the ACPI table description of the PCI Root Bridge. The shorthand notation for this device path is:

**ACPI (PNP0A03 , 0) / PCI (7 | 0) .**

**Table 103. Single Channel PCI SCSI Controller**

Byte Offset	Byte Length	Data	Description
0x00	0x01	0x02	<b>Generic Device Path Header</b> – Type ACPI Device Path
0x01	0x01	0x01	Sub type – ACPI Device Path
0x02	0x02	0x0C	Length – 0x0C bytes
0x04	0x04	0x41D0, 0x0A03	<code>_HID</code> PNP0A03 – 0x41D0 represents a compressed string 'PNP' and is in the low order bytes
0x08	0x04	0x0000	<code>_UID</code>
0x0C	0x01	0x01	<b>Generic Device Path Header</b> – Type Hardware Device Path
0x0D	0x01	0x01	Sub type – PCI
0x0E	0x02	0x06	Length – 0x06 bytes
0x10	0x01	0x00	PCI Function
0x11	0x01	0x07	PCI Device
0x12	0x01	0xFF	<b>Generic Device Path Header</b> – Type End of Hardware Device Path
0x13	0x01	0xFF	Sub type – End of Entire Device Path
0x14	0x02	0x04	Length – 0x04 bytes

Table 104 shows an example device path for a single channel PCI SCSI controller that is located behind a PCI to PCI bridge at PCI device number 0x07 and PCI function 0x00. The PCI to PCI bridge is directly attached to a PCI root bridge, and it is at PCI device number 0x05 and PCI function 0x00. This device path consists of an ACPI Device Path Node, two PCI Device Path Nodes, and a Device Path End Structure. The `_HID` and `_UID` must match the ACPI table description of the PCI Root Bridge. The shorthand notation for this device path is:

**ACPI (PNP0A03, 0) / PCI (5 | 0) / PCI (7 | 0).**

**Table 104. Single Channel PCI SCSI Controller behind a PCI Bridge**

Byte Offset	Byte Length	Data	Description
0x00	0x01	0x02	<b>Generic Device Path Header</b> – Type ACPI Device Path
0x01	0x01	0x01	Sub type – ACPI Device Path
0x02	0x02	0x0C	Length – 0x0C bytes
0x04	0x04	0x41D0, 0x0A03	<code>_HID PNP0A03</code> – 0x41D0 represents a compressed string 'PNP' and is in the low order bytes
0x08	0x04	0x0000	<code>_UID</code>
0x0C	0x01	0x01	<b>Generic Device Path Header</b> – Type Hardware Device Path
0x0D	0x01	0x01	Sub type – PCI
0x0E	0x02	0x06	Length – 0x06 bytes
0x10	0x01	0x00	PCI Function
0x11	0x01	0x05	PCI Device
0x12	0x01	0x01	<b>Generic Device Path Header</b> – Type Hardware Device Path
0x13	0x01	0x01	Sub type – PCI
0x14	0x02	0x06	Length – 0x06 bytes
0x16	0x01	0x00	PCI Function
0x17	0x01	0x07	PCI Device
0x18	0x01	0xFF	<b>Generic Device Path Header</b> – Type End of Hardware Device Path
0x19	0x01	0xFF	Sub type – End of Entire Device Path
0x1A	0x02	0x04	Length – 0x04 bytes

Table 105 shows an example device path for channel #3 of a four channel PCI SCSI controller that is located behind a PCI to PCI bridge at PCI device number 0x07 and PCI function 0x00. The PCI to PCI bridge is directly attached to a PCI root bridge, and it is at PCI device number 0x05 and PCI function 0x00. This device path consists of an ACPI Device Path Node, two PCI Device Path Nodes, a Controller Node, and a Device Path End Structure. The \_HID and \_UID must match the ACPI table description of the PCI Root Bridge. The shorthand notation of the device paths for all four of the SCSI channels are listed below. Table 4 shows the last device path listed.

**ACPI (PNP0A03,0)/PCI (5|0)/PCI (7|0)/Controller (0).**

**ACPI (PNP0A03,0)/PCI (5|0)/PCI (7|0)/Controller (1).**

**ACPI (PNP0A03,0)/PCI (5|0)/PCI (7|0)/Controller (2).**

**ACPI (PNP0A03,0)/PCI (5|0)/PCI (7|0)/Controller (3).**

**Table 105. Channel #3 of a PCI SCSI Controller behind a PCI Bridge**

Byte Offset	Byte Length	Data	Description
0x00	0x01	0x02	<b>Generic Device Path Header</b> – Type ACPI Device Path
0x01	0x01	0x01	Sub type – ACPI Device Path
0x02	0x02	0x0C	Length – 0x0C bytes
0x04	0x04	0x41D0, 0x0A03	_HID PNP0A03 – 0x41D0 represents a compressed string 'PNP' and is in the low order bytes
0x08	0x04	0x0000	_UID
0x0C	0x01	0x01	<b>Generic Device Path Header</b> – Type Hardware Device Path
0x0D	0x01	0x01	Sub type – PCI
0x0E	0x02	0x06	Length – 0x06 bytes
0x10	0x01	0x00	PCI Function
0x11	0x01	0x05	PCI Device
0x12	0x01	0x01	<b>Generic Device Path Header</b> – Type Hardware Device Path
0x13	0x01	0x01	Sub type – PCI
0x14	0x02	0x06	Length – 0x06 bytes
0x16	0x01	0x00	PCI Function
0x17	0x01	0x07	PCI Device
0x18	0x01	0x01	<b>Generic Device Path Header</b> – Type Hardware Device Path
0x19	0x01	0x05	Sub type – Controller
0x1A	0x02	0x08	Length – 0x08 bytes
0x1C	0x04	0x0003	<b>Controller Number</b>
0x20	0x01	0xFF	<b>Generic Device Path Header</b> – Type End of Hardware Device Path
0x21	0x01	0xFF	Sub type – End of Entire Device Path
0x22	0x02	0x04	Length – 0x04 bytes

## 14.8 Extended SCSI Pass Thru Protocol

This section defines the Extended SCSI Pass Thru Protocol. This protocol allows information about a SCSI channel to be collected, and allows SCSI Request Packets to be sent to any SCSI devices on a SCSI channel even if those devices are not boot devices. This protocol is attached to the device handle of each SCSI channel in a system that the protocol supports, and can be used for diagnostics. It may also be used to build a Block I/O driver for SCSI hard drives and SCSI CD-ROM or DVD drives to allow those devices to become boot devices.

### EFI\_EXT\_SCSI\_PASS\_THRU\_PROTOCOL

This section provides a detailed description of the **EFI\_EXT\_SCSI\_PASS\_THRU\_PROTOCOL**.

#### Summary

Provides services that allow SCSI Pass Thru commands to be sent to SCSI devices attached to a SCSI channel.

#### GUID

```
#define EFI_EXT_SCSI_PASS_THRU_PROTOCOL_GUID \
    {0x1d3de7f0, 0x807, 0x424f, 0xaa, 0x69, 0x11, 0xa5, 0x4e, 0x19, 0xa4, 0x6f}
```

#### Protocol Interface Structure

```
typedef struct _EFI_EXT_SCSI_PASS_THRU_PROTOCOL {
    EFI_EXT_SCSI_PASS_THRU_MODE          *Mode;
    EFI_EXT_SCSI_PASS_THRU_PASSTHRU     PassThru;
    EFI_EXT_SCSI_PASS_THRU_GET_NEXT_TARGET_LUN GetNextTargetLun;
    EFI_EXT_SCSI_PASS_THRU_BUILD_DEVICE_PATH BuildDevicePath;
    EFI_EXT_SCSI_PASS_THRU_GET_TARGET_LUN GetTargetLun;
    EFI_EXT_SCSI_PASS_THRU_RESET_CHANNEL ResetChannel;
    EFI_EXT_SCSI_PASS_THRU_RESET_TARGET_LUN ResetTargetLun;
    EFI_EXT_SCSI_PASS_THRU_GET_NEXT_TARGET GetNextTarget;
} EFI_EXT_SCSI_PASS_THRU_PROTOCOL;
```

#### Parameters

<i>Mode</i>	A pointer to the <b>EFI_EXT_SCSI_PASS_THRU_MODE</b> data for this SCSI channel. <b>EFI_EXT_SCSI_PASS_THRU_MODE</b> is defined in “Related Definitions” below.
<i>PassThru</i>	Sends a SCSI Request Packet to a SCSI device that is Connected to the SCSI channel. See the <i>PassThru()</i> Function description.
<i>GetNextTargetLun</i>	Used to retrieve the list of legal Target IDs and LUNs for the SCSI devices on a SCSI channel. See the <i>GetNextTargetLun()</i> function description.
<i>BuildDevicePath</i>	Used to allocate and build a device path node for a SCSI Device on a SCSI channel. See the <i>BuildDevicePath()</i> function description.

<i>GetTargetLun</i>	Used to translate a device path node to a Target ID and LUN. See the <i>GetTargetLun()</i> function description.
<i>ResetChannel</i>	Resets the SCSI channel. This operation resets all the SCSI devices connected to the SCSI channel. See the <i>ResetChannel()</i> function description.
<i>ResetTargetLun</i>	Resets a SCSI device that is connected to the SCSI channel. See the <i>ResetTargetLun()</i> function description.
<i>GetNextTarget</i>	Used to retrieve the list of legal Target IDs for the SCSI devices on a SCSI channel. See the <i>GetNextTarget()</i> function description.

The following data values in the **EFI\_EXT\_SCSI\_PASS\_THRU\_MODE** interface are read-only.

<i>AdapterId</i>	The Target ID of the host adapter on the SCSI channel.
<i>Attributes</i>	Additional information on the attributes of the SCSI channel. See “Related Definitions” below for the list of possible attributes.
<i>IoAlign</i>	Supplies the alignment requirement for any buffer used in a data transfer. <i>IoAlign</i> values of 0 and 1 mean that the buffer can be placed anywhere in memory. Otherwise, <i>IoAlign</i> must be a power of 2, and the requirement is that the start address of a buffer must be evenly divisible by <i>IoAlign</i> with no remainder.

## Related Definitions

```
typedef struct {
    UINT32      AdapterId;
    UINT32      Attributes;
    UINT32      IoAlign;
} EFI_EXT_SCSI_PASS_THRU_MODE;

#define TARGET_MAX_BYTES    0x10
#define EFI_EXT_SCSI_PASS_THRU_ATTRIBUTES_PHYSICAL 0x0001
#define EFI_EXT_SCSI_PASS_THRU_ATTRIBUTES_LOGICAL 0x0002
#define EFI_EXT_SCSI_PASS_THRU_ATTRIBUTES_NONBLOCKIO 0x0004
```

### **EFI\_EXT\_SCSI\_PASS\_THRU\_ATTRIBUTES\_PHYSICAL**

If this bit is set, then the **EFI\_EXT\_SCSI\_PASS\_THRU\_PROTOCOL** interface is for physical devices on the SCSI channel.

### **EFI\_EXT\_SCSI\_PASS\_THRU\_ATTRIBUTES\_LOGICAL**

If this bit is set, then the **EFI\_EXT\_SCSI\_PASS\_THRU\_PROTOCOL** interface is for logical devices on the SCSI channel.

## **EFI\_EXT\_SCSI\_PASS\_THRU\_ATTRIBUTES\_NONBLOCKIO**

If this bit is set, then the **EFI\_EXT\_SCSI\_PASS\_THRU\_PROTOCOL** interface supports non blocking I/O. Every **EFI\_EXT\_SCSI\_PASS\_THRU\_PROTOCOL** must support blocking I/O. The support of nonblocking I/O is optional.

## **Description**

The **EFI\_EXT\_SCSI\_PASS\_THRU\_PROTOCOL** provides information about a SCSI channel and the ability to send SCI Request Packets to any SCSI device attached to that SCSI channel. The information includes the Target ID of the host controller on the SCSI channel and the attributes of the SCSI channel.

The printable name for the SCSI controller, and the printable name of the SCSI channel can be provided through the **EFI\_COMPONENT\_NAME\_PROTOCOL** for multiple languages.

The *Attributes* field of the **EFI\_EXT\_SCSI\_PASS\_THRU\_PROTOCOL** interface tells if the interface is for physical SCSI devices or logical SCSI devices. Drivers for non-RAID SCSI controllers will set both the **EFI\_EXT\_SCSI\_PASS\_THRU\_ATTRIBUTES\_PHYSICAL**, and the **EFI\_EXT\_SCSI\_PASS\_THRU\_ATTRIBUTES\_LOGICAL** bits.

Drivers for RAID controllers that allow access to the physical devices and logical devices will produce two **EFI\_EXT\_SCSI\_PASS\_THRU\_PROTOCOL** interfaces: one with the just the **EFI\_EXT\_SCSI\_PASS\_THRU\_ATTRIBUTES\_PHYSICAL** bit set and another with just the **EFI\_EXT\_SCSI\_PASS\_THRU\_ATTRIBUTES\_LOGICAL** bit set. One interface can be used to access the physical devices attached to the RAID controller, and the other can be used to access the logical devices attached to the RAID controller for its current configuration.

Drivers for RAID controllers that do not allow access to the physical devices will produce one **EFI\_EXT\_SCSI\_PASS\_THROUGH\_PROTOCOL** interface with just the **EFI\_EXT\_SCSI\_PASS\_THRU\_LOGICAL** bit set. The interface for logical devices can also be used by a file system driver to mount the RAID volumes. An **EFI\_EXT\_SCSI\_PASS\_THRU\_PROTOCOL** with neither **EFI\_EXT\_SCSI\_PASS\_THRU\_ATTRIBUTES\_LOGICAL** nor **EFI\_EXT\_SCSI\_PASS\_THRU\_ATTRIBUTES\_PHYSICAL** set is an illegal configuration.

The Attributes field also contains the

**EFI\_EXT\_SCSI\_PASS\_THRU\_ATTRIBUTES\_NONBLOCKIO** bit. All **EFI\_EXT\_SCSI\_PASS\_THRU\_PROTOCOL** interfaces must support blocking I/O. If this bit is set, then the interface support both blocking I/O and nonblocking I/O.

Each **EFI\_EXT\_SCSI\_PASS\_THRU\_PROTOCOL** instance must have an associated device path. Typically this will have an *ACPI* device path node and a *PCI* device path node, although variation will exist. For a SCSI controller that supports only one channel per PCI bus/device/function, it is recommended, but not required, that an additional *Controller* device path node (for controller 0) be appended to the device path.

For a SCSI controller that supports multiple channels per PCI bus/device/function, it is required that a *Controller* device path node be appended for each channel.

Additional information about the SCSI channel can be obtained from protocols attached to the same handle as the **EFI\_EXT\_SCSI\_PASS\_THRU\_PROTOCOL**, or one of its parent handles. This would include the device I/O abstraction used to access the internal registers and functions of the SCSI controller.

## EFI\_EXT\_SCSI\_PASS\_THRU\_PROTOCOL.PassThru()

### Summary

Sends a SCSI Request Packet to a SCSI device that is attached to the SCSI channel. This function supports both blocking I/O and nonblocking I/O. The blocking I/O functionality is required, and the nonblocking I/O functionality is optional.

### Prototype

```
typedef
EFI_STATUS
(EFIAPI *EFI_EXT_SCSI_PASS_THRU_PASSTHRU) (
    IN EFI_EXT_SCSI_PASS_THRU_PROTOCOL          *This,
    IN UINT8                                     *Target,
    IN UINT64                                    Lun,
    IN OUT EFI_EXT_SCSI_PASS_THRU_SCSI_REQUEST_PACKET *Packet,
    IN EFI_EVENT                                Event OPTIONAL
);
```

### Parameters

<i>This</i>	A pointer to the <b>EFI_EXT_SCSI_PASS_THRU_PROTOCOL</b> instance. Type <b>EFI_EXT_SCSI_PASS_THRU_PROTOCOL</b> is defined in Section 14.8.
<i>Target</i>	The Target is an array of size <b>TARGET_MAX_BYTES</b> and it represents the id of the SCSI device to send the SCSI Request Packet. Each transport driver may chose to utilize a subset of this size to suit the needs of transport target representation. For example, a Fibre Channel driver may use only 8 bytes (WWN) to represent an FC target.
<i>Lun</i>	The LUN of the SCSI device to send the SCSI Request Packet.
<i>Packet</i>	A pointer to the SCSI Request Packet to send to the SCSI device specified by <i>Target</i> and <i>Lun</i> . See “Related Definitions” below for a description of <b>EFI_EXT_SCSI_PASS_THRU_SCSI_REQUEST_PACKET</b> .
<i>Event</i>	If nonblocking I/O is not supported then <i>Event</i> is ignored, and blocking I/O is performed. If <i>Event</i> is <b>NULL</b> , then blocking I/O is performed. If <i>Event</i> is not <b>NULL</b> and non blocking I/O is supported, then nonblocking I/O is performed, and <i>Event</i> will be signaled when the SCSI Request Packet completes.



## Related Definitions

```
typedef struct {
    UINT64      Timeout;
    VOID        *InDataBuffer;
    VOID        *OutDataBuffer;
    VOID        *SenseData;
    VOID        *Cdb;
    UINT32      InTransferLength;
    UINT32      OutTransferLength;
    UINT8       CdbLength;
    UINT8       DataDirection;
    UINT8       HostAdapterStatus;
    UINT8       TargetStatus;
    UINT8       SenseDataLength;
} EFI_EXT_SCSI_PASS_THRU_SCSI_REQUEST_PACKET;
```

<i>Timeout</i>	The timeout, in 100 ns units, to use for the execution of this SCSI Request Packet. A <i>Timeout</i> value of 0 means that this function will wait indefinitely for the SCSI Request Packet to execute. If <i>Timeout</i> is greater than zero, then this function will return <b>EFI_TIMEOUT</b> if the time required to execute the SCSI Request Packet is greater than <i>Timeout</i> .
<i>InDataBuffer</i>	A pointer to the data buffer to transfer between the SCSI controller and the SCSI device for SCSI READ command. For all SCSI WRITE Commands this must point to <b>NULL</b> , and must be aligned to the boundary specified in the <i>IoAlign</i> field of the <b>EFI_EXT_SCSI_PASS_THRU_MODE</b> structure.
<i>OutDataBuffer</i>	A pointer to the data buffer to transfer between the SCSI controller and the SCSI device for SCSI WRITE command. For all SCSI READ commands this field must point to <b>NULL</b> , and must be aligned to the boundary specified in the <i>IoAlign</i> field of the <b>EFI_EXT_SCSI_PASS_THRU_MODE</b> structure.
<i>SenseData</i>	A pointer to the sense data that was generated by the execution of the SCSI Request Packet. Must be aligned to the boundary specified in the <i>IoAlign</i> field of the <b>EFI_EXT_SCSI_PASS_THRU_MODE</b> structure.
<i>Cdb</i>	A pointer to buffer that contains the Command Data Block to send to the SCSI device specified by <i>Target</i> and <i>Lun</i> .

*InTransferLength* On Input, the size, in bytes, of *InDataBuffer*. On output, the number of bytes transferred between the SCSI controller and the SCSI device. If *InTransferLength* is larger than the SCSI controller can handle, no data will be transferred, *InTransferLength* will be updated to contain the number of bytes that the SCSI controller is able to transfer, and **EFI\_BAD\_BUFFER\_SIZE** will be returned.

*OutTransferLength* On Input, the size, in bytes of *OutDataBuffer*. On Output, the Number of bytes transferred between SCSI Controller and the SCSI device. If *OutTransferLength* is larger than the SCSI controller can handle, no data will be transferred, *OutTransferLength* will be updated to contain the number of bytes that the SCSI controller is able to transfer, and **EFI\_BAD\_BUFFER\_SIZE** will be returned.

*CdbLength* The length, in bytes, of the buffer *Cdb*. The standard values are 6, 10, 12, and 16, but other values are possible if a variable length *CDB* is used.

*DataDirection* The direction of the data transfer. 0 for reads, 1 for writes. A value of 2 is Reserved for Bi-Directional SCSI commands. For example XDREADWRITE. All other values are reserved, and must not be used.

*HostAdapterStatus* The status of the host adapter specified by *This* when the SCSI Request Packet was executed on the target device. See the possible values listed below. If bit 7 of this field is set, then *HostAdapterStatus* is a vendor defined error code.

*TargetStatus* The status returned by the device specified by *Target* and *Lun* when the SCSI Request Packet was executed. See the possible values listed below.

*SenseDataLength* On input, the length in bytes of the *SenseData* buffer. On output, the number of bytes written to the *SenseData* buffer.

```

//
// DataDirection
//
#define EFI_EXT_SCSI_DATA_DIRECTION_READ          0
#define EFI_EXT_SCSI_DATA_DIRECTION_WRITE        1
#define EFI_EXT_SCSI_DATA_DIRECTION_BIDIRECTIONAL 2
//
// HostAdapterStatus
//
#define EFI_EXT_SCSI_STATUS_HOST_ADAPTER_OK          0x00
#define EFI_EXT_SCSI_STATUS_HOST_ADAPTER_TIMEOUT_COMMAND 0x09
#define EFI_EXT_SCSI_STATUS_HOST_ADAPTER_TIMEOUT      0x0b
#define EFI_EXT_SCSI_STATUS_HOST_ADAPTER_MESSAGE_REJECT 0x0d
#define EFI_EXT_SCSI_STATUS_HOST_ADAPTER_BUS_RESET    0x0e
#define EFI_EXT_SCSI_STATUS_HOST_ADAPTER_PARITY_ERROR 0x0f
#define EFI_EXT_SCSI_STATUS_HOST_ADAPTER_REQUEST_SENSE_FAILED 0x10
#define EFI_EXT_SCSI_STATUS_HOST_ADAPTER_SELECTION_TIMEOUT 0x11
#define EFI_EXT_SCSI_STATUS_HOST_ADAPTER_DATA_OVERRUN_UNDERRUN 0x12
#define EFI_EXT_SCSI_STATUS_HOST_ADAPTER_BUS_FREE     0x13
#define EFI_EXT_SCSI_STATUS_HOST_ADAPTER_PHASE_ERROR  0x14
#define EFI_EXT_SCSI_STATUS_HOST_ADAPTER_OTHER        0x7f
//
// TargetStatus
//
#define EFI_EXT_SCSI_STATUS_TARGET_GOOD              0x00
#define EFI_EXT_SCSI_STATUS_TARGET_CHECK_CONDITION  0x02
#define EFI_EXT_SCSI_STATUS_TARGET_CONDITION_MET    0x04
#define EFI_EXT_SCSI_STATUS_TARGET_BUSY              0x08
#define EFI_EXT_SCSI_STATUS_TARGET_INTERMEDIATE     0x10
#define EFI_EXT_SCSI_STATUS_TARGET_INTERMEDIATE_CONDITION_MET 0x14
#define EFI_EXT_SCSI_STATUS_TARGET_RESERVATION_CONFLICT 0x18
#define EFI_EXT_SCSI_STATUS_TARGET_TASK_SET_FULL    0x28
#define EFI_EXT_SCSI_STATUS_TARGET_ACA_ACTIVE        0x30
#define EFI_EXT_SCSI_STATUS_TARGET_TASK_ABORTED     0x40

```

## Description

The `EFI_EXT_SCSI_PASS_THRU_PROTOCOL.PassThru()` function sends the SCSI Request Packet specified by *Packet* to the SCSI device specified by *Target* and *Lun*. If the driver supports nonblocking I/O and *Event* is not **NULL**, then the driver will return immediately after the command is sent to the selected device, and will later signal *Event* when the command has completed.

If the driver supports nonblocking I/O and *Event* is **NULL**, then the driver will send the command to the selected device and block until it is complete.

If the driver does not support nonblocking I/O, then the *Event* parameter is ignored, and the driver will send the command to the selected device and block until it is complete.

If *Packet* is successfully sent to the SCSI device, then `EFI_SUCCESS` is returned.

If *Packet* cannot be sent because there are too many packets already queued up, then `EFI_NOT_READY` is returned. The caller may retry *Packet* at a later time.

If a device error occurs while sending the *Packet*, then `EFI_DEVICE_ERROR` is returned.

If a timeout occurs during the execution of *Packet*, then `EFI_TIMEOUT` is returned.

If *Target* or *Lun* are not in a valid range for the SCSI channel, then `EFI_INVALID_PARAMETER` is returned. If *InDataBuffer*, *OutDataBuffer* or *SenseData* do not meet the alignment requirement specified by the *IoAlign* field of the `EFI_EXT_SCSI_PASS_THRU_MODE` structure, then `EFI_INVALID_PARAMETER` is returned. If any of the other fields of *Packet* are invalid, then `EFI_INVALID_PARAMETER` is returned.

If the data buffer described by *InDataBuffer* and *InTransferLength* is too big to be transferred in a single command, then no data is transferred and `EFI_BAD_BUFFER_SIZE` is returned. The number of bytes that can be transferred in a single command are returned in *InTransferLength*.

If the data buffer described by *OutDataBuffer* and *OutTransferLength* is too big to be transferred in a single command, then no data is transferred and `EFI_BAD_BUFFER_SIZE` is returned. The number of bytes that can be transferred in a single command are returned in *OutTransferLength*.

If the command described in *Packet* is not supported by the host adapter, then `EFI_UNSUPPORTED` is returned.

If `EFI_SUCCESS`, `EFI_WARN_BUFFER_TOO_SMALL`, `EFI_DEVICE_ERROR`, or `EFI_TIMEOUT` is returned, then the caller must examine the status fields in *Packet* in the following precedence order: *HostAdapterStatus* followed by *TargetStatus* followed by *SenseDataLength*, followed by *SenseData*.

If nonblocking I/O is being used, then the status fields in *Packet* will not be valid until the *Event* associated with *Packet* is signaled.

If `EFI_NOT_READY`, `EFI_INVALID_PARAMETER` or `EFI_UNSUPPORTED` is returned, then *Packet* was never sent, so the status fields in *Packet* are not valid. If nonblocking I/O is being used, the *Event* associated with *Packet* will not be signaled.

## Status Codes Returned

EFI_SUCCESS	The SCSI Request Packet was sent by the host. For bi-directional commands, <i>InTransferLength</i> bytes were transferred from <i>InDataBuffer</i> . For write and bi-directional commands, <i>OutTransferLength</i> bytes were transferred by <i>OutDataBuffer</i> . See <i>HostAdapterStatus</i> , <i>TargetStatus</i> , <i>SenseDataLength</i> , and <i>SenseData</i> in that order for additional status information.
EFI_BAD_BUFFER_SIZE	The SCSI Request Packet was not executed. The number of bytes that could be transferred is returned in <i>InTransferLength</i> . For write and bi-directional commands, <i>OutTransferLength</i> bytes were transferred by <i>OutDataBuffer</i> . See <i>HostAdapterStatus</i> , <i>TargetStatus</i> , and in that order for additional status information.
EFI_NOT_READY	The SCSI Request Packet could not be sent because there are too many SCSI Request Packets already queued. The caller may retry again later.
EFI_DEVICE_ERROR	A device error occurred while attempting to send the SCSI Request Packet. See <i>HostAdapterStatus</i> , <i>TargetStatus</i> , <i>SenseDataLength</i> , and <i>SenseData</i> in that order for additional status information.
EFI_INVALID_PARAMETER	<i>Target</i> , <i>Lun</i> , or the contents of <i>ScsiRequestPacket</i> are invalid. The SCSI Request Packet was not sent, so no additional status information is available.
EFI_UNSUPPORTED	The command described by the SCSI Request Packet is not supported by the host adapter. This includes the case of Bi-directional SCSI commands not supported by the implementation. The SCSI Request Packet was not sent, so no additional status information is available.
EFI_TIMEOUT	A timeout occurred while waiting for the SCSI Request Packet to execute. See <i>HostAdapterStatus</i> , <i>TargetStatus</i> , <i>SenseDataLength</i> , and <i>SenseData</i> in that order for additional status information.

## EFI\_EXT\_SCSI\_PASS\_THRU\_PROTOCOL.GetNextTargetLun()

### Summary

Used to retrieve the list of legal Target IDs and LUNs for SCSI devices on a SCSI channel. These can either be the list SCSI devices that are actually present on the SCSI channel, or the list of legal Target IDs and LUNs for the SCSI channel. Regardless, the caller of this function must probe the Target ID and LUN returned to see if a SCSI device is actually present at that location on the SCSI channel.

### Prototype

```
typedef
EFI_STATUS
(EFIAPI *EFI_EXT_SCSI_PASS_THRU_GET_NEXT_TARGET_LUN) (
    IN EFI_EXT_SCSI_PASS_THRU_PROTOCOL *This,
    IN OUT UINT8 **Target,
    IN OUT UINT64 *Lun
);
```

### Parameters

<i>This</i>	A pointer to the <b>EFI_EXT_SCSI_PASS_THRU_PROTOCOL</b> instance. Type <b>EFI_EXT_SCSI_PASS_THRU_PROTOCOL</b> is defined in Section 14.8.
<i>Target</i>	On input, a pointer to the Target ID (an array of size <b>TARGET_MAX_BYTES</b> ) of a SCSI device present on the SCSI channel. On output, a pointer to the Target ID (an array of <b>TARGET_MAX_BYTES</b> ) of the next SCSI device present on a SCSI channel. An input value of <b>0xF</b> 's (all bytes in the array are <b>0xF</b> ) in the Target array retrieves the Target ID of the first SCSI device present on a SCSI channel.
<i>Lun</i>	On input, a pointer to the LUN of a SCSI device present on the SCSI channel. On output, a pointer to the LUN of the next SCSI device present on a SCSI channel.

### Description

The **EFI\_EXT\_SCSI\_PASS\_THRU\_PROTOCOL.GetNextTargetLun()** function retrieves the Target ID and LUN of a SCSI device present on a SCSI channel. If on input a *Target* is specified by all **0xF** in the Target array, then the Target ID and LUN of the first SCSI device is returned in *Target* and *Lun* and **EFI\_SUCCESS** is returned.

If *Target* and *Lun* is a Target ID and LUN value that was returned on a previous call to **GetNextTargetLun()**, then the Target ID and LUN of the next SCSI device on the SCSI channel is returned in *Target* and *Lun*, and **EFI\_SUCCESS** is returned.

If *Target array* is not all **0xF's** and *Target* and *Lun* were not returned on a previous call to **GetNextTargetLun()**, then **EFI\_INVALID\_PARAMETER** is returned.

If *Target* and *Lun* are the Target ID and LUN of the last SCSI device on the SCSI channel, then **EFI\_NOT\_FOUND** is returned.

### Status Codes Returned

EFI_SUCCESS	The Target ID and LUN of the next SCSI device on the SCSI channel was returned in <i>Target</i> and <i>Lun</i> .
EFI_NOT_FOUND	There are no more SCSI devices on this SCSI channel.
EFI_INVALID_PARAMETER	<i>Target array</i> is not all <b>0xF's</b> , and <i>Target</i> and <i>Lun</i> were not returned on a previous call to <b>GetNextTargetLun()</b> .

## EFI\_EXT\_SCSI\_PASS\_THRU\_PROTOCOL.BuildDevicePath()

### Summary

Used to allocate and build a device path node for a SCSI device on a SCSI channel.

### Prototype

```
typedef
EFI_STATUS
(EFI_API *EFI_EXT_SCSI_PASS_THRU_BUILD_DEVICE_PATH) (
    IN EFI_EXT_SCSI_PASS_THRU_PROTOCOL      *This,
    IN UINT8                               *Target,
    IN UINT64                               Lun
    IN OUT EFI_DEVICE_PATH_PROTOCOL        **DevicePath
);
```

### Parameters

<i>This</i>	A pointer to the <b>EFI_EXT_SCSI_PASS_THRU_PROTOCOL</b> instance. Type <b>EFI_EXT_SCSI_PASS_THRU_PROTOCOL</b> is defined in Section 14.8.
<i>Target</i>	The Target is an array of size <b>TARGET_MAX_BYTES</b> and it specifies the Target ID of the SCSI device for which a device path node is to be allocated and built. Transport drivers may choose to utilize a subset of this size to suit the representation of targets. For example, a Fibre Channel driver may use only 8 bytes (WWN) in the array to represent a FC target.
<i>Lun</i>	The LUN of the SCSI device for which a device path node is to be allocated and built.
<i>DevicePath</i>	A pointer to a single device path node that describes the SCSI device specified by <i>Target</i> and <i>Lun</i> . This function is responsible for allocating the buffer <i>DevicePath</i> with the boot service <b>AllocatePool()</b> . It is the caller's responsibility to free <i>DevicePath</i> when the caller is finished with <i>DevicePath</i> .

### Description

The **EFI\_EXT\_SCSI\_PASS\_THRU\_PROTOCOL.BuildDevicePath()** function allocates and builds a single device path node for the SCSI device specified by *Target* and *Lun*. If the SCSI device specified by *Target* and *Lun* are not present on the SCSI channel, then **EFI\_NOT\_FOUND** is returned. If *DevicePath* is **NULL**, then **EFI\_INVALID\_PARAMETER** is returned. If there are not enough resources to allocate the device path node, then **EFI\_OUT\_OF\_RESOURCES** is returned. Otherwise, *DevicePath* is allocated with the boot service **AllocatePool()**, the contents of *DevicePath* are initialized to describe the SCSI device specified by *Target* and *Lun*, and **EFI\_SUCCESS** is returned.



## Status Codes Returned

EFI_SUCCESS	The device path node that describes the SCSI device specified by <i>Target</i> and <i>Lun</i> was allocated and returned in <i>DevicePath</i> .
EFI_NOT_FOUND	The SCSI devices specified by <i>Target</i> and <i>Lun</i> does not exist on the SCSI channel.
EFI_INVALID_PARAMETER	<i>DevicePath</i> is <b>NULL</b> .
EFI_OUT_OF_RESOURCES	There are not enough resources to allocate <i>DevicePath</i> .

## EFI\_EXT\_SCSI\_PASS\_THRU\_PROTOCOL.GetTargetLun()

### Summary

Used to translate a device path node to a Target ID and LUN.

### Prototype

```
typedef
EFI_STATUS
(EFIAPI *EFI_EXT_SCSI_PASS_THRU_GET_TARGET_LUN) (
    IN EFI_EXT_SCSI_PASS_THRU_PROTOCOL          *This,
    IN EFI_DEVICE_PATH_PROTOCOL                *DevicePath
    OUT UINT8                                  **Target,
    OUT UINT64                                 *Lun
);
```

### Parameters

<i>This</i>	A pointer to the <b>EFI_EXT_SCSI_PASS_THRU_PROTOCOL</b> instance. Type <b>EFI_EXT_SCSI_PASS_THRU_PROTOCOL</b> is defined in Section 14.8.
<i>DevicePath</i>	A pointer to the device path node that describes a SCSI device on the SCSI channel.
<i>Target</i>	A pointer to the Target Array which represents the ID of a SCSI device on the SCSI channel.
<i>Lun</i>	A pointer to the LUN of a SCSI device on the SCSI channel.

### Description

The **EFI\_EXT\_SCSI\_PASS\_THRU\_PROTOCOL.GetTargetLun()** function determines the Target ID and LUN associated with the SCSI device described by *DevicePath*. If *DevicePath* is a device path node type that the SCSI Pass Thru driver supports, then the SCSI Pass Thru driver will attempt to translate the contents *DevicePath* into a Target ID and LUN. If this translation is successful, then that Target ID and LUN are returned in *Target* and *Lun*, and **EFI\_SUCCESS** is returned.

If *DevicePath*, *Target*, or *Lun* are **NULL**, then **EFI\_INVALID\_PARAMETER** is returned.

If *DevicePath* is not a device path node type that the SCSI Pass Thru driver supports, then **EFI\_UNSUPPORTED** is returned.

If *DevicePath* is a device path node type that the SCSI Pass Thru driver supports, but there is not a valid translation from *DevicePath* to a Target ID and LUN, then **EFI\_NOT\_FOUND** is returned.

## Status Codes Returned

EFI_SUCCESS	<i>DevicePath</i> was successfully translated to a Target ID and LUN, and they were returned in <i>Target</i> and <i>Lun</i> .
EFI_INVALID_PARAMETER	<i>DevicePath</i> is <b>NULL</b> .
EFI_INVALID_PARAMETER	<i>Target</i> is <b>NULL</b> .
EFI_INVALID_PARAMETER	<i>Lun</i> is <b>NULL</b> .
EFI_UNSUPPORTED	This driver does not support the device path node type in <i>DevicePath</i> .
EFI_NOT_FOUND	A valid translation from <i>DevicePath</i> to a Target ID and LUN does not exist.

## EFI\_EXT\_SCSI\_PASS\_THRU\_PROTOCOL.ResetChannel()

### Summary

Resets a SCSI channel. This operation resets all the SCSI devices connected to the SCSI channel.

### Prototype

```
typedef
EFI_STATUS
(EFIAPI *EFI_EXT_SCSI_PASS_THRU_RESET_CHANNEL) (
    IN EFI_EXT_SCSI_PASS_THRU_PROTOCOL          *This
);
```

### Parameters

*This* A pointer to the **EFI\_EXT\_SCSI\_PASS\_THRU\_PROTOCOL** instance. Type **EFI\_EXT\_SCSI\_PASS\_THRU\_PROTOCOL** is defined in Section 14.8.

### Description

The **EFI\_EXT\_SCSI\_PASS\_THRU\_PROTOCOL.ResetChannel()** function resets a SCSI channel. This operation resets all the SCSI devices connected to the SCSI channel. If this SCSI channel does not support a reset operation, then **EFI\_UNSUPPORTED** is returned.

If a device error occurs while executing that channel reset operation, then **EFI\_DEVICE\_ERROR** is returned.

If a timeout occurs during the execution of the channel reset operation, then **EFI\_TIMEOUT** is returned. If the channel reset operation is completed, then **EFI\_SUCCESS** is returned.

### Status Codes Returned

EFI_SUCCESS	The SCSI channel was reset.
EFI_UNSUPPORTED	The SCSI channel does not support a channel reset operation.
EFI_DEVICE_ERROR	A device error occurred while attempting to reset the SCSI channel.
EFI_TIMEOUT	A timeout occurred while attempting to reset the SCSI channel.

## EFI\_EXT\_SCSI\_PASS\_THRU\_PROTOCOL.ResetTargetLun()

### Summary

Resets a SCSI logical unit that is connected to a SCSI channel.

### Prototype

```
typedef
EFI_STATUS
(EFIAPI *EFI_EXT_SCSI_PASS_THRU_RESET_TARGET_LUN) (
IN EFI_EXT_SCSI_PASS_THRU_PROTOCOL      *This,
IN UINT8                                *Target,
IN UINT64                               Lun
);
```

### Parameters

- This* A pointer to the **EFI\_EXT\_SCSI\_PASS\_THRU\_PROTOCOL** instance. Type **EFI\_EXT\_SCSI\_PASS\_THRU\_PROTOCOL** is defined in Section 14.8.
- Target* The Target is an array of size **TARGET\_MAX\_BYTE** and it represents the target port ID of the SCSI device containing the SCSI logical unit to reset. Transport drivers may chose to utilize a subset of this array to suit the representation of their targets. For example a Fibre Channel driver may use only 8 bytes in the array (WWN) to represent a FC target.
- Lun* The LUN of the SCSI device to reset.

### Description

The **EFI\_EXT\_SCSI\_PASS\_THRU\_PROTOCOL.ResetTargetLun()** function resets the SCSI logical unit specified by *Target* and *Lun*. If this SCSI channel does not support a target reset operation, then **EFI\_UNSUPPORTED** is returned.

If *Target* or *Lun* are not in a valid range for this SCSI channel, then **EFI\_INVALID\_PARAMETER** is returned.

If a device error occurs while executing that logical unit reset operation, then **EFI\_DEVICE\_ERROR** is returned.

If a timeout occurs during the execution of the logical unit reset operation, then **EFI\_TIMEOUT** is returned.

If the logical unit reset operation is completed, then **EFI\_SUCCESS** is returned.

## Status Codes Returned

EFI_SUCCESS	The SCSI device specified by <i>Target</i> and <i>Lun</i> was reset
EFI_UNSUPPORTED	The SCSI channel does not support a target reset operation.
EFI_INVALID_PARAMETER	<i>Target</i> or <i>Lun</i> are invalid.
EFI_DEVICE_ERROR	A device error occurred while attempting to reset the SCSI device specified by <i>Target</i> and <i>Lun</i> .
EFI_TIMEOUT	A timeout occurred while attempting to reset the SCSI device specified by <i>Target</i> and <i>Lun</i> .

## EFI\_EXT\_SCSI\_PASS\_THRU\_PROTOCOL.GetNextTarget()

### Summary

Used to retrieve the list of legal Target IDs for SCSI devices on a SCSI channel. These can either be the list SCSI devices that are actually present on the SCSI channel, or the list of legal Target IDs for the SCSI channel. Regardless, the caller of this function must probe the Target ID returned to see if a SCSI device is actually present at that location on the SCSI channel.

### Prototype

```
typedef
EFI_STATUS
(EFIAPI *EFI_EXT_SCSI_PASS_THRU_GET_NEXT_TARGET) (
    IN EFI_EXT_SCSI_PASS_THRU_PROTOCOL *This,
    IN OUT UINT8                        **Target,
);
```

### Parameters

*This* A pointer to the **EFI\_EXT\_SCSI\_PASS\_THRU\_PROTOCOL** instance. Type **EFI\_EXT\_SCSI\_PASS\_THRU\_PROTOCOL** is defined in Section 14.8.

*Target* On input, a pointer to the Target ID (an array of size **TARGET\_MAX\_BYTES**) of a SCSI device present on the SCSI channel. On output, a pointer to the Target ID (an array of **TARGET\_MAX\_BYTES**) of the next SCSI device present on a SCSI channel. An input value of **0xF**'s (all bytes in the array are **0xF**) in the Target array retrieves the Target ID of the first SCSI device present on a SCSI channel.

### Description

The **EFI\_EXT\_SCSI\_PASS\_THRU\_PROTOCOL.GetNextTarget()** function retrieves the Target ID of a SCSI device present on a SCSI channel. If on input a *Target* is specified by all **0xF** in the Target array, then the Target ID of the first SCSI device is returned in *Target* and **EFI\_SUCCESS** is returned.

If *Target* is a Target ID value that was returned on a previous call to **GetNextTarget()**, then the Target ID of the next SCSI device on the SCSI channel is returned in *Target*, and **EFI\_SUCCESS** is returned.

If *Target* array is not all **0xF's** and *Target* were not returned on a previous call to **GetNextTarget()**, then **EFI\_INVALID\_PARAMETER** is returned.

If *Target* is the Target ID of the last SCSI device on the SCSI channel, then **EFI\_NOT\_FOUND** is returned.

### Status Codes Returned

EFI_SUCCESS	The Target ID of the next SCSI device on the SCSI channel was returned in <i>Target</i> .
EFI_NOT_FOUND	There are no more SCSI devices on this SCSI channel.
EFI_INVALID_PARAMETER	<i>Target array</i> is not all <b>0xF's</b> , and <i>Target</i> were not returned on a previous call to <b>GetNextTarget()</b> .



## 15.1 Overview

The iSCSI protocol defines a transport for SCSI data over TCP/IP. It also provides an interoperable solution that takes advantage of existing internet infrastructure, management facilities, and addresses distance limitations. The iSCSI protocol specification was developed by the Internet Engineering Task Force (IETF) and is SCSI Architecture Model-2 (SAM-2) compliant. iSCSI encapsulates block-oriented SCSI commands into iSCSI Protocol Data Units (PDU) that traverse the network over TCP/IP. iSCSI defines a Session, the initiator and target nexus (I-T nexus), which could be a bundle of one or more TCP connections.

Similar to other existing mass storage protocols like Fibre Channel and parallel SCSI, boot over iSCSI is an important functionality. This document will attempt to capture the various cases for iSCSI boot and common up with generic EFI protocol changes to address them.

### 15.1.1 iSCSI UEFI Driver Layering

Case 1: iSCSI UEFI Driver on a NIC: The driver will be layered on top of the networking layers. It will use the DHCP, IP, and TCP and packet level interface protocols of the EFI networking stack.

Case 2: iSCSI UEFI Driver on a TOE (or any other TCP offload card): The driver will be layered on top of the TOE TCP interfaces. It will use the DHCP, IP, TCP protocols of the TOE.

## 15.2 EFI iSCSI Initiator Name Protocol

This protocol sets and obtains the iSCSI Initiator Name. The iSCSI Initiator Name protocol builds a default iSCSI name. The iSCSI name configures using the programming interfaces defined below. Successive configuration of the iSCSI initiator name overwrites the previously existing name. Once overwritten, the previous name will not be retrievable. Setting an iSCSI name string that is zero length is illegal. The maximum size of the iSCSI Initiator Name is 224 bytes (including the NULL terminator).

## EFI\_ISCSI\_INITIATOR\_NAME\_PROTOCOL

### Summary

iSCSI Initiator Name Protocol for setting and obtaining the iSCSI Initiator Name.

### GUID

```
#define EFI_ISCSI_INITIATOR_NAME_PROTOCOL_GUID \
    {0xa6a72875, 0x2962, 0x4c18, 0x9f, 0x46, 0x8d, 0xa6, 0x44, \
     0xcc, 0xfe}
```

### Protocol Interface Structure

```
typedef struct _EFI_ISCSI_INITIATOR_NAME_PROTOCOL {

    EFI_ISCSI_INITIATOR_NAME_GET    Get;
    EFI_ISCSI_INITIATOR_NAME_SET    Set;

} EFI_ISCSI_INITIATOR_NAME_PROTOCOL;
```

### Parameters

*Get*                      Used to retrieve the iSCSI Initiator Name.

*Set*                      Used to set the iSCSI Initiator Name.

### Description

The **EFI\_ISCSI\_INIT\_NAME\_PROTOCOL** provides the ability to get and set the iSCSI Initiator Name.

## EFI\_ISCSI\_INITIATOR\_NAME\_PROTOCOL. Get()

### Summary

Retrieves the current set value of iSCSI Initiator Name.

### Prototype

```
typedef EFI_STATUS
(EFI_API *EFI_ISCSI_INITIATOR_NAME_GET) (
    IN      EFI_ISCSI_INITIATOR_NAME_PROTOCOL  *This
    IN OUT  UINTN                               *BufferSize
    OUT     VOID                                *Buffer
)
}
```

### Parameters

*This* Pointer to the **EFI\_ISCSI\_INITIATOR\_NAME\_PROTOCOL** instance.

*BufferSize* Size of the buffer in bytes pointed to by Buffer / Actual size of the variable data buffer.

*Buffer* Pointer to the buffer for data to be read.

### Description

This function will retrieve the iSCSI Initiator Name from Non-volatile memory.

### Status Codes Returned

EFI_SUCCESS	Data was successfully retrieved into the provided buffer and the <i>BufferSize</i> was sufficient to handle the iSCSI initiator name
EFI_BUFFER_TOO_SMALL	<i>BufferSize</i> is too small for the result. <i>BufferSize</i> will be updated with the size required to complete the request. <i>Buffer</i> will not be affected.
EFI_INVALID_PARAMETER	<i>BufferSize</i> is <b>NULL</b> . <i>BufferSize</i> and <i>Buffer</i> will not be affected.
EFI_INVALID_PARAMETER	<i>Buffer</i> is <b>NULL</b> . <i>BufferSize</i> and <i>Buffer</i> will not be affected.
EFI_DEVICE_ERROR	The iSCSI initiator name could not be retrieved due to a hardware error.

## EFI\_ISCSI\_INITIATOR\_NAME\_PROTOCOL.Set()

### Summary

Sets the iSCSI Initiator Name.

### Prototype

```
typedef EFI_STATUS
(EFI_API *EFI_ISCSI_INITIATOR_NAME_SET) (
    IN      EFI_ISCSI_INITIATOR_NAME_PROTOCOL  *This
    IN OUT  UINTN                               *BufferSize
    IN      VOID                               *Buffer
)
```

### Parameters

*This* Pointer to the **EFI\_ISCSI\_INITIATOR\_NAME\_PROTOCOL** instance

*BufferSize* Size of the buffer in bytes pointed to by Buffer.

*Buffer* Pointer to the buffer for data to be written.

### Description

This function will set the iSCSI Initiator Name into Non-volatile memory.

### Status Codes Returned

EFI_SUCCESS	Data was successfully stored by the protocol
EFI_UNSUPPORTED	Platform policies do not allow for data to be written
EFI_INVALID_PARAMETER	<i>BufferSize</i> exceeds the maximum allowed limit. <i>BufferSize</i> will be updated with the maximum size required to complete the request.
EFI_INVALID_PARAMETER	<i>BufferSize</i> is <b>NULL</b> . <i>BufferSize</i> and <i>Buffer</i> will not be affected
EFI_INVALID_PARAMETER	<i>Buffer</i> is <b>NULL</b> . <i>BufferSize</i> and <i>Buffer</i> will not be affected.
EFI_DEVICE_ERROR	The data could not be stored due to a hardware error.
EFI_OUT_OF_RESOURCES	Not enough storage is available to hold the data
EFI_PROTOCOL_ERROR	Input iSCSI initiator name does not adhere to RFC 3720 (and other related protocols)

## 16.1 USB2 Host Controller Protocol

These sections (Sections 16.1 and below) describe the USB2 Host Controller Protocol. This protocol provides an I/O abstraction for a USB2 Host Controller. The USB2 Host Controller is a hardware component that interfaces to a Universal Serial Bus (USB). It moves data between system memory and devices on the USB by processing data structures and generating transactions on the USB. This protocol is used by a USB Bus Driver to perform all data transaction over the Universal Serial Bus. It also provides services to manage the USB root hub that is integrated into the USB Host Controller. USB device drivers do not use this protocol directly. Instead, they use the I/O abstraction produced by the USB Bus Driver. This protocol should only be used by drivers that require direct access to the USB bus.

### 16.1.1 USB Host Controller Protocol Overview

The USB Host Controller Protocol is used by code, typically USB bus drivers, running in the EFI boot services environment, to perform data transactions over a USB bus. In addition, it provides an abstraction for the root hub of the USB bus.

The interfaces provided in the **EFI\_USB2\_HC\_PROTOCOL** are used to manage data transactions on a USB bus. It also provides control methods for the USB root hub. The **EFI\_USB2\_HC\_PROTOCOL** is designed to support both USB 1.1 and USB 2.0 – compliant host controllers.

The **EFI\_USB2\_HC\_PROTOCOL** abstracts basic functionality that is designed to operate with the EHCI, UHCI and OHCI standards. By using this protocol, a single USB bus driver can be implemented without knowing if the underlying USB host controller conforms to the EHCI, OHCI or the UHCI standards.

Each instance of the **EFI\_USB2\_HC\_PROTOCOL** corresponds to a USB host controller in a platform. The protocol is attached to the device handle of a USB host controller that is created by a device driver for the USB host controller's parent bus type. For example, a USB host controller that is implemented as a PCI device would require a PCI device driver to produce an instance of the **EFI\_USB2\_HC\_PROTOCOL**.

## EFI\_USB2\_HC\_PROTOCOL

### Summary

Provides basic USB host controller management, basic data transactions over USB bus, and USB root hub access.

### GUID

```
#define EFI_USB2_HC_PROTOCOL_GUID \
    {0x3e745226, 0x9818, 0x45b6, 0xa2, 0xac, 0xd7, 0xcd, 0xe, 0x8b, \
     0xa2, 0xbc}
```

### Protocol Interface Structure

```
typedef struct _EFI_USB2_HC_PROTOCOL {
    EFI_USB2_HC_PROTOCOL_GET_CAPABILITY    GetCapability;
    EFI_USB2_HC_PROTOCOL_RESET            Reset;
    EFI_USB2_HC_PROTOCOL_GET_STATE        GetState;
    EFI_USB2_HC_PROTOCOL_SET_STATE        SetState;
    EFI_USB2_HC_PROTOCOL_CONTROL_TRANSFER ControlTransfer;
    EFI_USB2_HC_PROTOCOL_BULK_TRANSFER    BulkTransfer;
    EFI_USB2_HC_PROTOCOL_ASYNC_INTERRUPT_TRANSFER AsyncInterruptTransfer;
    EFI_USB2_HC_PROTOCOL_SYNC_INTERRUPT_TRANSFER SyncInterruptTransfer;
    EFI_USB2_HC_PROTOCOL_ISOCHRONOUS_TRANSFER IsochronousTransfer;
    EFI_USB2_HC_PROTOCOL_ASYNC_ISOCHRONOUS_TRANSFER AsyncIsochronousTransfer;

    EFI_USB2_HC_PROTOCOL_GET_ROOTHUB_PORT_STATUS GetRootHubPortStatus;
    EFI_USB2_HC_PROTOCOL_SET_ROOTHUB_PORT_FEATURE SetRootHubPortFeature;
    EFI_USB2_HC_PROTOCOL_CLEAR_ROOTHUB_PORT_FEATURE ClearRootHubPortFeature;

    UINT16 MajorRevision;
    UINT16 MinorRevision;
} EFI_USB2_HC_PROTOCOL;
```

### Parameters

<i>GetCapability</i>	Retrieves the capabilities of the USB host controller. See the <a href="#"><u>GetCapability()</u></a> function description.
<i>Reset</i>	Software reset of USB. See the <a href="#"><u>Reset()</u></a> function description.
<i>GetState</i>	Retrieves the current state of the USB host controller. See the <a href="#"><u>GetState()</u></a> function description.

<i>SetState</i>	Sets the USB host controller to a specific state. See the <a href="#"><u>SetState ()</u></a> function description.
<i>ControlTransfer</i>	Submits a control transfer to a target USB device. See the <a href="#"><u>ControlTransfer ()</u></a> function description.
<i>BulkTransfer</i>	Submits a bulk transfer to a bulk endpoint of a USB device. See the <a href="#"><u>BulkTransfer ()</u></a> function description.
<i>AsyncInterruptTransfer</i>	Submits an asynchronous interrupt transfer to an interrupt endpoint of a USB device. See the <a href="#"><u>AsyncInterruptTransfer ()</u></a> function description.
<i>SyncInterruptTransfer</i>	Submits a synchronous interrupt transfer to an interrupt endpoint of a USB device. See the <a href="#"><u>SyncInterruptTransfer ()</u></a> function description.
<i>IsochronousTransfer</i>	Submits isochronous transfer to an isochronous endpoint of a USB device. See the <a href="#"><u>IsochronousTransfer ()</u></a> function description.
<i>AsyncIsochronousTransfer</i>	Submits nonblocking USB isochronous transfer. See the <a href="#"><u>AsyncIsochronousTransfer ()</u></a> function description.
<i>GetRootHubPortStatus</i>	Retrieves the status of the specified root hub port. See the <a href="#"><u>GetRootHubPortStatus ()</u></a> function description.
<i>SetRootHubPortFeature</i>	Sets the feature for the specified root hub port. See the <a href="#"><u>SetRootHubPortFeature ()</u></a> function description.
<i>ClearRootHubPortFeature</i>	Clears the feature for the specified root hub port. See the <a href="#"><u>ClearRootHubPortFeature ()</u></a> function description.
<i>MajorRevision</i>	The major revision number of the USB host controller. The revision information indicates the release of the Universal Serial Bus Specification with which the host controller is compliant.
<i>MinorRevision</i>	The minor revision number of the USB host controller. The revision information indicates the release of the Universal Serial Bus Specification with which the host controller is compliant.

## Description

The [EFI\\_USB2\\_HC\\_PROTOCOL](#) provides USB host controller management, basic data transactions over a USB bus, and USB root hub access. A device driver that wishes to manage a USB bus in a system retrieves the [EFI\\_USB2\\_HC\\_PROTOCOL](#) instance that is associated with the USB bus to be managed. A device handle for a USB host controller will minimally contain an [EFI\\_DEVICE\\_PATH\\_PROTOCOL](#) instance, and an [EFI\\_USB2\\_HC\\_PROTOCOL](#) instance.

## EFI\_USB2\_HC\_PROTOCOL.GetCapability()

### Summary

Retrieves the Host Controller capabilities.

### Prototype

```
typedef
EFI_STATUS
(EFIAPI *EFI_USB2_HC_PROTOCOL_GET_CAPABILITY) (
    IN EFI_USB2_HC_PROTOCOL *This,
    OUT UINT8                *MaxSpeed,
    OUT UINT8                *PortNumber,
    OUT UINT8                *Is64BitCapable
);
```

### Parameters

*This* A pointer to the **EFI\_USB2\_HC\_PROTOCOL** instance. Type **EFI\_USB2\_HC\_PROTOCOL** is defined in Section 16.1.

*MaxSpeed* Host controller data transfer speed; see “Related Definitions” below for a list of supported transfer speed values.

*PortNumber* Number of the root hub ports.

*Is64BitCapable* **TRUE** if controller supports 64-bit memory addressing, **FALSE** otherwise.

### Related Definitions

```
#define EFI_USB_SPEED_FULL 0x0000
#define EFI_USB_SPEED_LOW  0x0001
#define EFI_USB_SPEED_HIGH 0x0002
```

EFI_USB_SPEED_LOW	Low speed USB device; data bandwidth is up to 1 Mb/s. Supported by USB 1.1 OHCI and UHCI host controllers.
EFI_USB_SPEED_FULL	Full speed USB device; data bandwidth is up to 12 Mb/s. Supported by USB 1.1 OHCI and UHCI host controllers.
EFI_USB_SPEED_HIGH	High speed USB device; data bandwidth is up to 480 Mb/s. Supported by USB 2.0 EHCI host controllers.



## Description

This function is used to retrieve the host controller capabilities. *MaxSpeed* indicates the maximum data transfer speed the controller is capable of; this information is needed for the subsequent transfers. *PortNumber* is the number of root hub ports, it is required by the USB bus driver to perform bus enumeration. *Is64BitCapable* indicates that controller is capable of 64-bit memory access so that the host controller software can use memory blocks above 4 GB for the data transfers.

## Status Codes Returned

EFI_SUCCESS	The host controller capabilities were retrieved successfully.
EFI_INVALID_PARAMETER	<i>MaxSpeed</i> or <i>PortNumber</i> or <i>Is64BitCapable</i> is <b>NULL</b> .
EFI_DEVICE_ERROR	An error was encountered while attempting to retrieve the capabilities.

## EFI\_USB2\_HC\_PROTOCOL.Reset()

### Summary

Provides software reset for the USB host controller.

### Prototype

```
typedef
EFI_STATUS
(EFIAPI *EFI_USB2_HC_PROTOCOL_RESET) (
    IN EFI_USB2_HC_PROTOCOL    *This,
    IN UINT16                   Attributes
);
```

### Parameters

*This* A pointer to the **EFI\_USB2\_HC\_PROTOCOL** instance. Type **EFI\_USB2\_HC\_PROTOCOL** is defined in Section 16.1.

*Attributes* A bit mask of the reset operation to perform. See “Related Definitions” below for a list of the supported bit mask values.

### Related Definitions

```
#define EFI_USB_HC_RESET_GLOBAL            0x0001
#define EFI_USB_HC_RESET_HOST_CONTROLLER  0x0002
#define EFI_USB_HC_RESET_GLOBAL_WITH_DEBUG 0x0004
#define EFI_USB_HC_RESET_HOST_WITH_DEBUG  0x0008
```

#### **EFI\_USB\_HC\_RESET\_GLOBAL**

If this bit is set, a global reset signal will be sent to the USB bus. This resets all of the USB bus logic, including the USB host controller hardware and all the devices attached on the USB bus.

#### **EFI\_USB\_HC\_RESET\_HOST\_CONTROLLER**

If this bit is set, the USB host controller hardware will be reset. No reset signal will be sent to the USB bus.

#### **EFI\_USB\_HC\_RESET\_GLOBAL\_WITH\_DEBUG**

If this bit is set, then a global reset signal will be sent to the USB bus. This resets all of the USB bus logic, including the USB host controller and all of the devices attached on the USB bus. If this is an EHCI controller and the debug port has been configured, then this will still reset the host controller.

#### **EFI\_USB\_HC\_RESET\_HOST\_WITH\_DEBUG**

If this bit is set, the USB host controller hardware will be reset. If this is an EHCI controller and the debug port has been configured, then this will still reset the host controller.

## Description

This function provides a software mechanism to reset a USB host controller. The type of reset is specified by the *Attributes* parameter. If the type of reset specified by *Attributes* is not valid, then **EFI\_INVALID\_PARAMETER** is returned. If the reset operation is completed, then **EFI\_SUCCESS** is returned. If the type of reset specified by *Attributes* is not currently supported by the host controller hardware, **EFI\_UNSUPPORTED** is returned. If a device error occurs during the reset operation, then **EFI\_DEVICE\_ERROR** is returned.

Note: For EHCI controllers, the **EFI\_USB\_HC\_RESET\_GLOBAL** and **EFI\_USB\_HC\_RESET\_HOST\_CONTROLLER** types of reset do not actually reset the bus if the debug port has been configured. In these cases, the function will return **EFI\_ACCESS\_DENIED**.

## Status Codes Returned

EFI_SUCCESS	The reset operation succeeded.
EFI_INVALID_PARAMETER	<i>Attributes</i> is not valid.
EFI_UNSUPPORTED	The type of reset specified by <i>Attributes</i> is not currently supported by the host controller hardware.
EFI_ACCESS_DENIED	Reset operation is rejected due to the debug port being configured and active; only <b>EFI_USB_HC_RESET_GLOBAL_WITH_DEBUG</b> or <b>EFI_USB_HC_RESET_HOST_WITH_DEBUG</b> reset <i>Attributes</i> can be used to perform reset operation for this host controller.
EFI_DEVICE_ERROR	An error was encountered while attempting to perform the reset operation.

## EFI\_USB2\_HC\_PROTOCOL.GetState()

### Summary

Retrieves current state of the USB host controller.

### Prototype

```
typedef
EFI_STATUS
(EFIAPI *EFI_USB2_HC_PROTOCOL_GET_STATE) (
    IN  EFI_USB2_HC_PROTOCOL  *This,
    OUT EFI_USB_HC_STATE      *State
);
```

### Parameters

<i>This</i>	A pointer to the <b>EFI_USB2_HC_PROTOCOL</b> instance. Type <b>EFI_USB2_HC_PROTOCOL</b> is defined in Section 16.1.
<i>State</i>	A pointer to the <b>EFI_USB_HC_STATE</b> data structure that indicates current state of the USB host controller. Type <b>EFI_USB_HC_STATE</b> is defined in “Related Definitions.”

### Related Definitions

```
typedef enum {
    EfiUsbHcStateHalt,
    EfiUsbHcStateOperational,
    EfiUsbHcStateSuspend,
    EfiUsbHcStateMaximum
} EFI_USB_HC_STATE;
```

#### **EfiUsbHcStateHalt**

The host controller is in halt state. No USB transactions can occur while in this state. The host controller can enter this state for three reasons:

1. After host controller hardware reset.
2. Explicitly set by software.
3. Triggered by a fatal error such as consistency check failure.

#### **EfiUsbHcStateOperational**

The host controller is in an operational state. When in this state, the host controller can execute bus traffic. This state must be explicitly set to enable the USB bus traffic.

### EfiUsbHcStateSuspend

The host controller is in the suspend state. No USB transactions can occur while in this state. The host controller enters this state for the following reasons:

4. Explicitly set by software.
5. Triggered when there is no bus traffic for 3 microseconds.

### Description

This function is used to retrieve the USB host controller's current state. The USB Host Controller Protocol publishes three states for USB host controller, as defined in "Related Definitions" below. If *State* is **NULL**, then **EFI\_INVALID\_PARAMETER** is returned. If a device error occurs while attempting to retrieve the USB host controllers current state, then **EFI\_DEVICE\_ERROR** is returned. Otherwise, the USB host controller's current state is returned in *State*, and **EFI\_SUCCESS** is returned.

### Status Codes Returned

EFI_SUCCESS	The state information of the host controller was returned in <i>State</i> .
EFI_INVALID_PARAMETER	State is <b>NULL</b> .
EFI_DEVICE_ERROR	An error was encountered while attempting to retrieve the host controller's current state.

## EFI\_USB2\_HC\_PROTOCOL.SetState()

### Summary

Sets the USB host controller to a specific state.

### Prototype

```
typedef
EFI_STATUS
(EFIAPI *EFI_USB2_HC_PROTOCOL_SET_STATE) (
    IN EFI_USB2_HC_PROTOCOL    *This,
    IN EFI_USB_HC_STATE        State
);
```

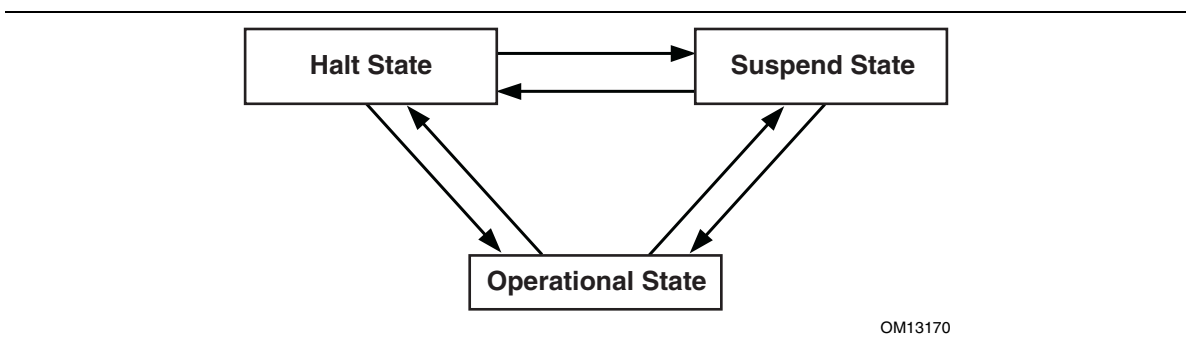
### Parameters

*This* A pointer to the **EFI\_USB2\_HC\_PROTOCOL** instance. Type **EFI\_USB2\_HC\_PROTOCOL** is defined in Section 16.1.

*State* Indicates the state of the host controller that will be set. See the definition and description of the type **EFI\_USB\_HC\_STATE** in the **GetState()** function description.

### Description

This function is used to explicitly set a USB host controller's state. There are three states defined for the USB host controller. These are the halt state, the operational state and the suspend state. Figure 44 illustrates the possible state transitions:



**Figure 44. Software Triggered State Transitions of a USB Host Controller**

If the state specified by *State* is not valid, then **EFI\_INVALID\_PARAMETER** is returned. If a device error occurs while attempting to place the USB host controller into the state specified by *State*, then **EFI\_DEVICE\_ERROR** is returned. If the USB host controller is successfully placed in the state specified by *State*, then **EFI\_SUCCESS** is returned.

## Status Codes Returned

EFI_SUCCESS	The USB host controller was successfully placed in the state specified by <i>State</i> .
EFI_INVALID_PARAMETER	<i>State</i> is invalid.
EFI_DEVICE_ERROR	Failed to set the state specified by <i>State</i> due to device error.



## EFI\_USB2\_HC\_PROTOCOL.ControlTransfer()

### Summary

Submits control transfer to a target USB device.

### Prototype

```
typedef
EFI_STATUS
(EFIAPI *EFI_USB2_HC_PROTOCOL_CONTROL_TRANSFER) (
    IN      EFI_USB2_HC_PROTOCOL      *This,
    IN      UINT8                     DeviceAddress,
    IN      UINT8                     DeviceSpeed,
    IN      UINTN                     MaximumPacketLength,
    IN      EFI_USB_DEVICE_REQUEST    *Request,
    IN      EFI_USB_DATA_DIRECTION    TransferDirection,
    IN OUT VOID                       *Data                                OPTIONAL,
    IN OUT UINTN                      *DataLength                        OPTIONAL,
    IN      UINTN                     Timeout,
    IN      EFI_USB2_HC_TRANSACTION_TRANSLATOR *Translator,
    OUT     UINT32                     *TransferResult
);
```

### Related Definitions

```
typedef struct {
    UINT8      TranslatorHubAddress,
    UINT8      TranslatorPortNumber
} EFI_USB2_HC_TRANSACTION_TRANSLATOR;
```

### Parameters

<i>This</i>	A pointer to the <b>EFI_USB2_HC_PROTOCOL</b> instance. Type <b>EFI_USB2_HC_PROTOCOL</b> is defined in Section 16.1.
<i>DeviceAddress</i>	Represents the address of the target device on the USB, which is assigned during USB enumeration.
<i>DeviceSpeed</i>	Indicates device speed. See “Related Definitions” in GetCapability() for a list of the supported values.
<i>MaximumPacketLength</i>	Indicates the maximum packet size that the default control transfer endpoint is capable of sending or receiving.
<i>Request</i>	A pointer to the USB device request that will be sent to the USB device. Refer to Section 2.5.1 14.2 of EFI 1.1 USB Driver Model, version 0.7.
<i>TransferDirection</i>	Specifies the data direction for the transfer. There are three values available, <b>EfiUsbDataIn</b> , <b>EfiUsbDataOut</b> and <b>EfiUsbNoData</b> . Refer to Section 2.5.1 of <i>EFI 1.1 USB Driver Model, version 0.7</i> 14.2.

<i>Data</i>	A pointer to the buffer of data that will be transmitted to USB device or received from USB device.
<i>DataLength</i>	On input, indicates the size, in bytes, of the data buffer specified by <i>Data</i> . On output, indicates the amount of data actually transferred.
<i>Translator</i>	A pointer to the transaction translator data. See “Description” for the detailed information of this data structure.
<i>Timeout</i>	Indicates the maximum time, in milliseconds, which the transfer is allowed to complete.
<i>TransferResult</i>	A pointer to the detailed result information generated by this control transfer. Refer to Section 2.5.1 of EFI1.1 USB Driver Model, version 0.7 14.2.

## Description

This function is used to submit a control transfer to a target USB device specified by *DeviceAddress*. Control transfers are intended to support configuration/command/status type communication flows between host and USB device.

There are three control transfer types according to the data phase. If the *TransferDirection* parameter is **EfiUsbNoData**, *Data* is **NULL**, and *DataLength* is 0, then no data phase is present in the control transfer. If the *TransferDirection* parameter is **EfiUsbDataOut**, then *Data* specifies the data to be transmitted to the device, and *DataLength* specifies the number of bytes to transfer to the device. In this case, there is an OUT DATA stage followed by a SETUP stage. If the *TransferDirection* parameter is **EfiUsbDataIn**, then *Data* specifies the data to be received from the device, and *DataLength* specifies the number of bytes to receive from the device. In this case there is an IN DATA stage followed by a SETUP stage.

*Translator* is necessary to perform split transactions on low-speed or full-speed devices connected to a high-speed hub. Such transaction require the device connection information: device address and the port number of the hub that device is connected to. This information is passed through the fields of **EFI\_USB2\_HC\_TRANSACTION\_TRANSLATOR** structure. See “Related Definitions” for the structure field names. Translator is passed as **NULL** for the USB1.1 host controllers transfers or when the transfer is requested for high-speed device connected to USB2.0 controller.

If the control transfer has completed successfully, then **EFI\_SUCCESS** is returned. If the transfer cannot be completed within the timeout specified by *Timeout*, then **EFI\_TIMEOUT** is returned. If an error other than timeout occurs during the USB transfer, then **EFI\_DEVICE\_ERROR** is returned and the detailed error code will be returned in the *TransferResult* parameter.

**EFI\_INVALID\_PARAMETER** is returned if one of the following conditions is satisfied:

1. *TransferDirection* is invalid.
2. *TransferDirection*, *Data*, and *DataLength* do not match one of the three control transfer types described above.
3. *Request* pointer is **NULL**.
4. *MaximumPacketLength* is not valid. If *DeviceSpeed* is **EFI\_USB\_SPEED\_LOW**, then *MaximumPacketLength* must be 8. If *IsSlowDevice* is **FALSE** **EFI\_USB\_SPEED\_FULL** or **EFI\_USB\_SPEED\_HIGH**, then *MaximumPacketLength* must be 8, 16, 32, or 64.
5. *TransferResult* pointer is **NULL**.
6. *Translator* is **NULL** while the requested transfer requires split transaction. The conditions of the split transactions are described above in “Description” section.

### Status Codes Returned

EFI_SUCCESS	The control transfer was completed successfully.
EFI_OUT_OF_RESOURCES	The control transfer could not be completed due to a lack of resources.
EFI_INVALID_PARAMETER	Some parameters are invalid. The possible invalid parameters are described in “Description” above.
EFI_TIMEOUT	The control transfer failed due to timeout.
EFI_DEVICE_ERROR	The control transfer failed due to host controller or device error. Caller should check <i>TransferResult</i> for detailed error information.

## EFI\_USB2\_HC\_PROTOCOL.BulkTransfer()

### Summary

Submits bulk transfer to a bulk endpoint of a USB device.

### Prototype

```
typedef
EFI_STATUS
(EFIAPI *EFI_USB2_HC_PROTOCOL_BULK_TRANSFER) (
    IN      EFI_USB2_HC_PROTOCOL  *This,
    IN      UINT8                 DeviceAddress,
    IN      UINT8                 EndPointAddress,
    IN      UINT8                 DeviceSpeed,
    IN      UINTN                 MaximumPacketLength,
    IN      UINT8                 DataBuffersNumber,
    IN OUT VOID                   *Data[EFI_USB_MAX_BULK_BUFFER_NUM],
    IN OUT UINTN                 *DataLength,
    IN OUT UINT8                 *DataToggle,
    IN      UINTN                 Timeout,
    IN      EFI_USB2_HC_TRANSACTION_TRANSLATOR *Translator,
    OUT     UINT32                 *TransferResult
);
```

### Parameters

<i>This</i>	A pointer to the <b>EFI_USB2_HC_PROTOCOL</b> instance. Type <b>EFI_USB2_HC_PROTOCOL</b> is defined in Section 16.1.
<i>DeviceAddress</i>	Represents the address of the target device on the USB, which is assigned during USB enumeration.
<i>EndPointAddress</i>	The combination of an endpoint number and an endpoint direction of the target USB device. Each endpoint address supports data transfer in one direction except the control endpoint (whose default endpoint address is 0). It is the caller's responsibility to make sure that the <i>EndPointAddress</i> represents a bulk endpoint.
<i>DeviceSpeed</i>	Indicates device speed. The supported values are <b>EFI_USB_SPEED_FULL</b> and <b>EFI_USB_SPEED_HIGH</b> .
<i>MaximumPacketLength</i>	Indicates the maximum packet size the target endpoint is capable of sending or receiving.
<i>DataBuffersNumber</i>	Number of data buffers prepared for the transfer.
<i>Data</i>	Array of pointers to the buffers of data that will be transmitted to USB device or received from USB device.

<i>DataLength</i>	When input, indicates the size, in bytes, of the data buffers specified by <i>Data</i> . When output, indicates the actually transferred data size.
<i>DataToggle</i>	A pointer to the data toggle value. On input, it indicates the initial data toggle value the bulk transfer should adopt; on output, it is updated to indicate the data toggle value of the subsequent bulk transfer.
<i>Translator</i>	A pointer to the transaction translator data. See <code>ControlTransfer()</code> “Description” for the detailed information of this data structure.
<i>Timeout</i>	Indicates the maximum time, in milliseconds, which the transfer is allowed to complete.
<i>TransferResult</i>	A pointer to the detailed result information of the bulk transfer. Refer to Section 2.5.1 of EFI1.1 USB Driver Model, version 0.7 14.2.

## Description

This function is used to submit bulk transfer to a target endpoint of a USB device. The target endpoint is specified by *DeviceAddress* and *EndPointAddress*. Bulk transfers are designed to support devices that need to communicate relatively large amounts of data at highly variable times where the transfer can use any available bandwidth. Bulk transfers can be used only by full-speed and high-speed devices.

High-speed bulk transfers can be performed using multiple data buffers. The number of buffers that are actually prepared for the transfer is specified by *DataBuffersNumber*. For full-speed bulk transfers this value is ignored.

Data represents a list of pointers to the data buffers. For full-speed bulk transfers only the data pointed by *Data[0]* shall be used. For high-speed transfers depending on *DataLength* there several data buffers can be used. The total number of buffers must not exceed **EFI\_USB\_MAX\_BULK\_BUFFER\_NUM**. See “Related Definitions” for the **EFI\_USB\_MAX\_BULK\_BUFFER\_NUM** value.

The data transfer direction is determined by the endpoint direction that is encoded in the *EndPointAddress* parameter. Refer to *USB Specification, Revision 2.0* on the Endpoint Address encoding.

The *DataToggle* parameter is used to track target endpoint’s data sequence toggle bits. The USB provides a mechanism to guarantee data packet synchronization between data transmitter and receiver across multiple transactions. The data packet synchronization is achieved with the data sequence toggle bits and the DATA0/DATA1 PIDs. A bulk endpoint’s toggle sequence is initialized to DATA0 when the endpoint experiences a configuration event. It toggles between DATA0 and DATA1 in each successive data transfer. It is host’s responsibility to track the bulk endpoint’s data toggle sequence and set the correct value for each data packet. The input *DataToggle* value points to the data toggle value for the first data packet of this bulk transfer; the output *DataToggle* value points to the data toggle value for the last successfully transferred data packet of this bulk transfer. The caller should record the data toggle value for use in subsequent bulk transfers to the same endpoint.

If the bulk transfer is successful, then **EFI\_SUCCESS** is returned. If USB transfer cannot be completed within the timeout specified by *Timeout*, then **EFI\_TIMEOUT** is returned. If an error

other than timeout occurs during the USB transfer, then **EFI\_DEVICE\_ERROR** is returned and the detailed status code is returned in *TransferResult*.

**EFI\_INVALID\_PARAMETER** is returned if one of the following conditions is satisfied:

1. *Data* is **NULL**.
2. *DataLength* is 0.
3. *DeviceSpeed* is not valid; the legal values are **EFI\_USB\_SPEED\_FULL** or **EFI\_USB\_SPEED\_HIGH**.
4. *MaximumPacketLength* is not valid. The legal value of this parameter is 64 or less for full-speed and 512 or less for high-speed transaction.
5. *DataToggle* points to a value other than 0 and 1.
6. *TransferResult* is **NULL**.

### Status Codes Returned

EFI_SUCCESS	The bulk transfer was completed successfully.
EFI_OUT_OF_RESOURCES	The bulk transfer could not be submitted due to lack of resource.
EFI_INVALID_PARAMETER	Some parameters are invalid. The possible invalid parameters are described in "Description" above.
EFI_TIMEOUT	The bulk transfer failed due to timeout.
EFI_DEVICE_ERROR	The bulk transfer failed due to host controller or device error. Caller should check <i>TransferResult</i> for detailed error information.

## EFI\_USB2\_HC\_PROTOCOL.AsyncInterruptTransfer()

### Summary

Submits an asynchronous interrupt transfer to an interrupt endpoint of a USB device.

### Prototype

```
typedef
EFI_STATUS
(EFIAPI *EFI_USB2_HC_PROTOCOL_ASYNC_INTERRUPT_TRANSFER) (
    IN EFI_USB2_HC_PROTOCOL          *This,
    IN UINT8                         DeviceAddress,
    IN UINT8                         EndPointAddress,
    IN UINT8                         DeviceSpeed,
    IN UINTN                         MaximumPacketLength,
    IN BOOLEAN                       IsNewTransfer,
    IN OUT UINT8                     *DataToggle,
    IN UINTN                         PollingInterval OPTIONAL,
    IN UINTN                         DataLength      OPTIONAL,
    IN EFI_ASYNC_USB_TRANSFER_CALLBACK CallBackFunction OPTIONAL,
    IN VOID                          *Context       OPTIONAL
);
```

### Parameters

<i>This</i>	A pointer to the <b>EFI_USB2_HC_PROTOCOL</b> instance. Type <b>EFI_USB2_HC_PROTOCOL</b> is defined in Section 16.1.
<i>DeviceAddress</i>	Represents the address of the target device on the USB, which is assigned during USB enumeration.
<i>EndPointAddress</i>	The combination of an endpoint number and an endpoint direction of the target USB device. Each endpoint address supports data transfer in one direction except the control endpoint (whose default endpoint address is zero). It is the caller's responsibility to make sure that the <i>EndPointAddress</i> represents an interrupt endpoint.
<i>DeviceSpeed</i>	Indicates device speed. See "Related Definitions" in <b>EFI_USB2_HC_PROTOCOL.ControlTransfer()</b> for a list of the supported values.
<i>MaximumPacketLength</i>	Indicates the maximum packet size the target endpoint is capable of sending or receiving.

<i>IsNewTransfer</i>	If <b>TRUE</b> , an asynchronous interrupt pipe is built between the host and the target interrupt endpoint. If <b>FALSE</b> , the specified asynchronous interrupt pipe is canceled. If <b>TRUE</b> , and an interrupt transfer exists for the target end point, then <b>EFI_INVALID_PARAMETER</b> is returned.
<i>DataToggle</i>	A pointer to the data toggle value. On input, it is valid when <i>IsNewTransfer</i> is <b>TRUE</b> , and it indicates the initial data toggle value the asynchronous interrupt transfer should adopt. On output, it is valid when <i>IsNewTransfer</i> is <b>FALSE</b> , and it is updated to indicate the data toggle value of the subsequent asynchronous interrupt transfer.
<i>PollingInterval</i>	Indicates the interval, in milliseconds, that the asynchronous interrupt transfer is polled. This parameter is required when <i>IsNewTransfer</i> is <b>TRUE</b> .
<i>DataLength</i>	Indicates the length of data to be received at the rate specified by <i>PollingInterval</i> from the target asynchronous interrupt endpoint. This parameter is only required when <i>IsNewTransfer</i> is <b>TRUE</b> .
<i>CallbackFunction</i>	The Callback function. This function is called at the rate specified by <i>PollingInterval</i> . This parameter is only required when <i>IsNewTransfer</i> is <b>TRUE</b> . Refer to Section 2.5.3 of EFI1.1 USB Driver Model, version 0.7,14.2 for the definition of this type.
<i>Context</i>	The context that is passed to the <i>CallbackFunction</i> . This is an optional parameter and may be <b>NULL</b> .

## Description

This function is used to submit asynchronous interrupt transfer to a target endpoint of a USB device. The target endpoint is specified by *DeviceAddress* and *EndpointAddress*. In the USB Specification, Revision 2.0, interrupt transfer is one of the four USB transfer types. In the **EFI USB2 HC PROTOCOL**, interrupt transfer is divided further into synchronous interrupt transfer and asynchronous interrupt transfer.

An asynchronous interrupt transfer is typically used to query a device's status at a fixed rate. For example, keyboard, mouse, and hub devices use this type of transfer to query their interrupt endpoints at a fixed rate. The asynchronous interrupt transfer is intended to support the interrupt transfer type of "submit once, execute periodically." Unless an explicit request is made, the asynchronous transfer will never retire.

If *IsNewTransfer* is **TRUE**, then an interrupt transfer is started at a fixed rate. The rate is specified by *PollingInterval*, the size of the receive buffer is specified by *DataLength*, and the callback function is specified by *CallbackFunction*. *Context* specifies an optional context that is passed to the *CallbackFunction* each time it is called. The *CallbackFunction* is intended to provide a means for the host to periodically process interrupt transfer data.

If *IsNewTransfer* is **TRUE**, and an interrupt transfer exists for the target end point, then **EFI\_INVALID\_PARAMETER** is returned.

If *IsNewTransfer* is **FALSE**, then the interrupt transfer is canceled.



**EFI\_INVALID\_PARAMETER** is returned if one of the following conditions is satisfied:

1. Data transfer direction indicated by *EndPointAddress* is other than **EfiUsbDataIn**.
2. *IsNewTransfer* is **TRUE** and *DataLength* is 0.
3. *IsNewTransfer* is **TRUE** and *DataToggle* points to a value other than 0 and 1.
4. *IsNewTransfer* is **TRUE** and *PollingInterval* is not in the range 1..255.
5. *IsNewTransfer* requested where an interrupt transfer exists for the target end point.

## Status Codes Returned

EFI_SUCCESS	The asynchronous interrupt transfer request has been successfully submitted or canceled.
EFI_INVALID_PARAMETER	Some parameters are invalid. The possible invalid parameters are described in "Description" above. When an interrupt transfer exists for the target end point and a new transfer is requested, EFI_INVALID_PARAMETER is returned.
EFI_OUT_OF_RESOURCES	The request could not be completed due to a lack of resources.

## EFI\_USB2\_HC\_PROTOCOL.SyncInterruptTransfer()

### Summary

Submits synchronous interrupt transfer to an interrupt endpoint of a USB device.

### Prototype

```
typedef
EFI_STATUS
(EFIAPI *EFI_USB2_HC_PROTOCOL_SYNC_INTERRUPT_TRANSFER) (
    IN      EFI_USB2_HC_PROTOCOL  *This,
    IN      UINT8                 DeviceAddress,
    IN      UINT8                 EndPointAddress,
    IN      UINT8                 DeviceSpeed,
    IN      UINTN                 MaximumPacketLength,
    IN OUT  VOID                  *Data,
    IN OUT  UINTN                 *DataLength,
    IN OUT  UINT8                 *DataToggle,
    IN      UINTN                 Timeout,
    OUT     UINT32                 *TransferResult
);
```

### Parameters

<i>This</i>	A pointer to the <b>EFI_USB2_HC_PROTOCOL</b> instance. Type <b>EFI_USB2_HC_PROTOCOL</b> is defined in Section 16.1.
<i>DeviceAddress</i>	Represents the address of the target device on the USB, which is assigned during USB enumeration.
<i>EndPointAddress</i>	The combination of an endpoint number and an endpoint direction of the target USB device. Each endpoint address supports data transfer in one direction except the control endpoint (whose default endpoint address is zero). It is the caller's responsibility to make sure that the <i>EndPointAddress</i> represents an interrupt endpoint.
<i>DeviceSpeed</i>	Indicates device speed. See "Related Definitions" in <b>EFI_USB2_HC_PROTOCOL.ControlTransfer()</b> for a list of the supported values.
<i>MaximumPacketLength</i>	Indicates the maximum packet size the target endpoint is capable of sending or receiving.
<i>Data</i>	A pointer to the buffer of data that will be transmitted to USB device or received from USB device.
<i>DataLength</i>	On input, the size, in bytes, of the data buffer specified by <i>Data</i> . On output, the number of bytes transferred.

<i>DataToggle</i>	A pointer to the data toggle value. On input, it indicates the initial data toggle value the synchronous interrupt transfer should adopt; on output, it is updated to indicate the data toggle value of the subsequent synchronous interrupt transfer.
<i>Timeout</i>	Indicates the maximum time, in milliseconds, which the transfer is allowed to complete.
<i>TransferResult</i>	A pointer to the detailed result information from the synchronous interrupt transfer. Refer to Section 2.5.1 of EFI1.1 USB Driver Model, version 0.714.2.

## Description

This function is used to submit a synchronous interrupt transfer to a target endpoint of a USB device. The target endpoint is specified by *DeviceAddress* and *EndpointAddress*. In the USB Specification, Revision2.0, interrupt transfer is one of the four USB transfer types. In the **EFI USB2 HC PROTOCOL**, interrupt transfer is divided further into synchronous interrupt transfer and asynchronous interrupt transfer.

The synchronous interrupt transfer is designed to retrieve small amounts of data from a USB device through an interrupt endpoint. A synchronous interrupt transfer is only executed once for each request. This is the most significant difference from the asynchronous interrupt transfer.

If the synchronous interrupt transfer is successful, then **EFI\_SUCCESS** is returned. If the USB transfer cannot be completed within the timeout specified by *Timeout*, then **EFI\_TIMEOUT** is returned. If an error other than timeout occurs during the USB transfer, then **EFI\_DEVICE\_ERROR** is returned and the detailed status code is returned in *TransferResult*.

**EFI\_INVALID\_PARAMETER** is returned if one of the following conditions is satisfied:

1. Data transfer direction indicated by *EndPointAddress* is not **EfiUsbDataIn**.
2. *Data* is **NULL**.
3. *DataLength* is 0.
4. *MaximumPacketLength* is not valid. The legal value of this parameter should be 3072 or less for high-speed device, 64 or less for a full-speed device; for a slow device, it is limited to 8 or less. For the full-speed device, it should be 8, 16, 32, or 64; for the slow device, it is limited to 8.
5. *DataToggle* points to a value other than 0 and 1.
6. *TransferResult* is **NULL**.

## Status Codes Returned

EFI_SUCCESS	The synchronous interrupt transfer was completed successfully.
EFI_OUT_OF_RESOURCES	The synchronous interrupt transfer could not be submitted due to lack of resource.
EFI_INVALID_PARAMETER	Some parameters are invalid. The possible invalid parameters are described in "Description" above.
EFI_TIMEOUT	The synchronous interrupt transfer failed due to timeout.
EFI_DEVICE_ERROR	The synchronous interrupt transfer failed due to host controller or device error. Caller should check <i>TransferResult</i> for detailed error information.

## EFI\_USB2\_HC\_PROTOCOL.IsochronousTransfer()

### Summary

Submits isochronous transfer to an isochronous endpoint of a USB device.

### Prototype

```
typedef
EFI_STATUS
(EFIAPI *EFI_USB2_HC_PROTOCOL_ISOCHRONOUS_TRANSFER) (
    IN      EFI_USB2_HC_PROTOCOL  *This,
    IN      UINT8                 DeviceAddress,
    IN      UINT8                 EndPointAddress,
    IN      UINT8                 DeviceSpeed,
    IN      UINTN                 MaximumPacketLength,
    IN      UINT8                 DataBuffersNumber,
    IN OUT  VOID                 *Data[EFI_USB_MAX_ISO_BUFFER_NUM],
    IN      UINTN                 DataLength,
    IN      EFI_USB2_HC_TRANSACTION_TRANSLATOR *Translator,
    OUT     UINT32                 *TransferResult
);
```

### Related Definitions

```
#define EFI_USB_MAX_ISO_BUFFER_NUM    7
#define EFI_USB_MAX_ISO_BUFFER_NUM1  2
```

### Parameters

<i>This</i>	A pointer to the <u>EFI_USB2_HC_PROTOCOL</u> instance. Type <b>EFI_USB2_HC_PROTOCOL</b> is defined in Section 16.1.
<i>DeviceAddress</i>	Represents the address of the target device on the USB, which is assigned during USB enumeration.
<i>EndPointAddress</i>	The combination of an endpoint number and an endpoint direction of the target USB device. Each endpoint address supports data transfer in one direction except the control endpoint (whose default endpoint address is 0). It is the caller's responsibility to make sure that the <i>EndPointAddress</i> represents an isochronous endpoint.
<i>DeviceSpeed</i>	Indicates device speed. The supported values are <b>EFI_USB_SPEED_FULL</b> and <b>EFI_USB_SPEED_HIGH</b> .
<i>MaximumPacketLength</i>	Indicates the maximum packet size the target endpoint is capable of sending or receiving. For isochronous endpoints, this value is used to reserve the bus time in the schedule, required for the per-frame data payloads. The pipe may, on an ongoing basis, actually use less bandwidth than that reserved.

<i>DataBuffersNumber</i>	Number of data buffers prepared for the transfer.
<i>Data</i>	Array of pointers to the buffers of data that will be transmitted to USB device or received from USB device.
<i>DataLength</i>	Specifies the length, in bytes, of the data to be sent to or received from the USB device.
<i>Translator</i>	A pointer to the transaction translator data. See ControlTransfer() “Description” for the detailed information of this data structure.
<i>TransferResult</i>	A pointer to the detail result information of the isochronous transfer. Refer to Section 2.5.1 of EFI1.1 USB Driver Model, version 0.7.

## Description

This function is used to submit isochronous transfer to a target endpoint of a USB device. The target endpoint is specified by *DeviceAddress* and *EndpointAddress*. Isochronous transfers are used when working with isochronous data. It provides periodic, continuous communication between the host and a device. Isochronous transfers can be used only by full-speed and high-speed devices.

High-speed isochronous transfers can be performed using multiple data buffers. The number of buffers that are actually prepared for the transfer is specified by *DataBuffersNumber*. For full-speed isochronous transfers this value is ignored.

Data represents a list of pointers to the data buffers. For full-speed isochronous transfers only the data pointed by *Data[0]* shall be used. For high-speed isochronous transfers and for the split transactions depending on *DataLength* there several data buffers can be used. For the high-speed isochronous transfers the total number of buffers must not exceed **EFI\_USB\_MAX\_ISO\_BUFFER\_NUM**. For split transactions performed on full-speed device by high-speed host controller the total number of buffers is limited to **EFI\_USB\_MAX\_ISO\_BUFFER\_NUM1**. See “Related Definitions” for the **EFI\_USB\_MAX\_ISO\_BUFFER\_NUM** and **EFI\_USB\_MAX\_ISO\_BUFFER\_NUM1** values.

If the isochronous transfer is successful, then **EFI\_SUCCESS** is returned. The isochronous transfer is designed to be completed within one USB frame time, if it cannot be completed, **EFI\_TIMEOUT** is returned. If an error other than timeout occurs during the USB transfer, then **EFI\_DEVICE\_ERROR** is returned and the detailed status code will be returned in *TransferResult*.

**EFI\_INVALID\_PARAMETER** is returned if one of the following conditions is satisfied:

1. *Data* is **NULL**.
2. *DataLength* is 0.
3. *MaximumPacketLength* is larger than 1023.
4. *TransferResult* is **NULL**.

## Status Codes Returned

EFI_SUCCESS	The isochronous transfer was completed successfully.
EFI_OUT_OF_RESOURCES	The isochronous transfer could not be submitted due to lack of resource.
EFI_INVALID_PARAMETER	Some parameters are invalid. The possible invalid parameters are described in “Description” above.
EFI_TIMEOUT	The isochronous transfer cannot be completed within the one USB frame time.
EFI_DEVICE_ERROR	The isochronous transfer failed due to host controller or device error. Caller should check <i>TransferResult</i> for detailed error information.

## EFI\_USB2\_HC\_PROTOCOL.AsyncIsochronousTransfer()

### Summary

Submits nonblocking isochronous transfer to an isochronous endpoint of a USB device.

### Prototype

```
typedef
EFI_STATUS
(EFIAPI * EFI_USB2_HC_PROTOCOL_ASYNC_ISOCHRONOUS_TRANSFER) (
    IN      EFI_USB2_HC_PROTOCOL      *This,
    IN      UINT8                     DeviceAddress,
    IN      UINT8                     EndPointAddress,
    IN      UINT8                     DeviceSpeed,
    IN      UINTN                     MaximumPacketLength,
    IN      UINT8                     DataBuffersNumber,
    IN OUT VOID                       *Data[EFI_USB_MAX_ISO_BUFFER_NUM],
    IN      UINTN                     DataLength,
    IN      EFI_USB2_HC_TRANSACTION_TRANSLATOR *Translator,
    IN      EFI_ASYNC_USB_TRANSFER_CALLBACK IsochronousCallBack,
    IN VOID                               *Context OPTIONAL
);
```

### Parameters

- This* A pointer to the **EFI\_USB2\_HC\_PROTOCOL** instance. Type **EFI\_USB2\_HC\_PROTOCOL** is defined in Section 16.1.
- DeviceAddress* Represents the address of the target device on the USB, which is assigned during USB enumeration.
- EndPointAddress* The combination of an endpoint number and an endpoint direction of the target USB device. Each endpoint address supports data transfer in one direction except the control endpoint (whose default endpoint address is zero). It is the caller's responsibility to make sure that the *EndPointAddress* represents an isochronous endpoint.
- DeviceSpeed* Indicates device speed. The supported values are **EFI\_USB\_SPEED\_FULL** and **EFI\_USB\_SPEED\_HIGH**.
- MaximumPacketLength* Indicates the maximum packet size the target endpoint is capable of sending or receiving. For isochronous endpoints, this value is used to reserve the bus time in the schedule, required for the per-frame data payloads. The pipe may, on an ongoing basis, actually use less bandwidth than that reserved.
- DataBuffersNumber* Number of data buffers prepared for the transfer.

<i>Data</i>	Array of pointers to the buffers of data that will be transmitted to USB device or received from USB device.
<i>DataLength</i>	Specifies the length, in bytes, of the data to be sent to or received from the USB device.
<i>Translator</i>	A pointer to the transaction translator data. See <code>ControlTransfer()</code> “Description” for the detailed information of this data structure.
<i>IsochronousCallback</i>	The Callback function. This function is called if the requested isochronous transfer is completed. Refer to Section 2.5.3 of EFI1.1 USB Driver Model, version 0.7.
<i>Context</i>	Data passed to the <i>IsochronousCallback</i> function. This is an optional parameter and may be <b>NULL</b> .

## Description

This is an asynchronous type of USB isochronous transfer. If the caller submits a USB isochronous transfer request through this function, this function will return immediately. When the isochronous transfer completes, the **IsochronousCallback** function will be triggered, the caller can know the transfer results. If the transfer is successful, the caller can get the data received or sent in this callback function.

The target endpoint is specified by *DeviceAddress* and *EndpointAddress*. Isochronous transfers are used when working with isochronous data. It provides periodic, continuous communication between the host and a device. Isochronous transfers can be used only by full-speed and high-speed devices.

High-speed isochronous transfers can be performed using multiple data buffers. The number of buffers that are actually prepared for the transfer is specified by *DataBuffersNumber*. For full-speed isochronous transfers this value is ignored.

Data represents a list of pointers to the data buffers. For full-speed isochronous transfers only the data pointed by *Data[0]* shall be used. For high-speed isochronous transfers and for the split transactions depending on *DataLength* there several data buffers can be used. For the high-speed isochronous transfers the total number of buffers must not exceed **EFI\_USB\_MAX\_ISO\_BUFFER\_NUM**. For split transactions performed on full-speed device by high-speed host controller the total number of buffers is limited to **EFI\_USB\_MAX\_ISO\_BUFFER\_NUM1** See “Related Definitions” in `IsochronousTransfer()` section for the **EFI\_USB\_MAX\_ISO\_BUFFER\_NUM** and **EFI\_USB\_MAX\_ISO\_BUFFER\_NUM1** values.

**EFI\_INVALID\_PARAMETER** is returned if one of the following conditions is satisfied:

6. *Data* is **NULL**.
7. *DataLength* is 0.
8. *MaximumPacketLength* is larger than 1023.



## Status Codes Returned

EFI_SUCCESS	The asynchronous isochronous transfer was completed successfully.
EFI_OUT_OF_RESOURCES	The asynchronous isochronous transfer could not be submitted due to lack of resource.
EFI_INVALID_PARAMETER	Some parameters are invalid. The possible invalid parameters are described in "Description" above.

## EFI\_USB2\_HC\_PROTOCOL.GetRootHubPortStatus()

### Summary

Retrieves the current status of a USB root hub port.

### Prototype

```
typedef
EFI_STATUS
(EFIAPI *EFI_USB2_HC_PROTOCOL_GET_ROOTHUB_PORT_STATUS) (
    IN EFI_USB2_HC_PROTOCOL      *This,
    IN UINT8                     PortNumber,
    OUT EFI_USB_PORT_STATUS      *PortStatus
);
```

### Parameters

*This* A pointer to the **EFI\_USB2\_HC\_PROTOCOL** instance. Type **EFI\_USB2\_HC\_PROTOCOL** is defined in Section 16.1.

*PortNumber* Specifies the root hub port from which the status is to be retrieved. This value is zero based. For example, if a root hub has two ports, then the first port is numbered 0, and the second port is numbered 1.

*PortStatus* A pointer to the current port status bits and port status change bits. The type **EFI\_USB\_PORT\_STATUS** is defined in “Related Definitions” below.

### Related Definitions

```
typedef struct{
    UINT16  PortStatus;
    UINT16  PortChangeStatus;
} EFI_USB_PORT_STATUS;

//*****
// EFI_USB_PORT_STATUS.PortStatus bit definition
//*****
#define USB_PORT_STAT_CONNECTION      0x0001
#define USB_PORT_STAT_ENABLE         0x0002
#define USB_PORT_STAT_SUSPEND        0x0004
#define USB_PORT_STAT_OVERCURRENT    0x0008
#define USB_PORT_STAT_RESET          0x0010
#define USB_PORT_STAT_POWER          0x0100
#define USB_PORT_STAT_LOW_SPEED      0x0200
#define USB_PORT_STAT_HIGH_SPEED     0x0400

//*****
```

```

// EFI_USB_PORT_STATUS.PortChangeStatus bit definition
//*****
#define USB_PORT_STAT_C_CONNECTION      0x0001
#define USB_PORT_STAT_C_ENABLE          0x0002
#define USB_PORT_STAT_C_SUSPEND         0x0004
#define USB_PORT_STAT_C_OVERCURRENT     0x0008
#define USB_PORT_STAT_C_RESET           0x0010

```

*PortStatus* Contains current port status bitmap. The root hub port status bitmap is unified with the USB hub port status bitmap. See Table 106 for a reference, which is borrowed from *Chapter 11, Hub Specification, of USB Specification, Revision 1.1*.

*PortChangeStatus* Contains current port status change bitmap. The root hub port change status bitmap is unified with the USB hub port status bitmap. See Table 107 for a reference, which is borrowed from *Chapter 11, Hub Specification, of USB Specification, Revision 1.1*.

**Table 106. USB Hub Port Status Bitmap**

Bit	Description
0	<p><b>Current Connect Status:</b> (USB_PORT_STAT_CONNECTION) This field reflects whether or not a device is currently connected to this port.</p> <p>0 = No device is present 1 = A device is present on this port</p>
1	<p><b>Port Enable / Disabled:</b> (USB_PORT_STAT_ENABLE) Ports can be enabled by software only. Ports can be disabled by either a fault condition (disconnect event or other fault condition) or by software.</p> <p>0 = Port is disabled 1 = Port is enabled</p>
2	<p><b>Suspend:</b> (USB_PORT_STAT_SUSPEND) This field indicates whether or not the device on this port is suspended.</p> <p>0 = Not suspended 1 = Suspended</p>
3	<p><b>Over-current Indicator:</b> (USB_PORT_STAT_OVERCURRENT) This field is used to indicate that the current drain on the port exceeds the specified maximum.</p>
4	<p><b>Reset:</b> (USB_PORT_STAT_RESET) Indicates whether port is in reset state.</p> <p>0 = Port is not in reset state 1 = Port is in reset state</p>
5-7	<p><b>Reserved</b> These bits return 0 when read.</p>

Bit	Description
8	<b>Port Power:</b> (USB_PORT_STAT_POWER) This field reflects a port's logical, power control state.
9	<b>Low Speed Device Attached:</b> (USB_PORT_STAT_LOW_SPEED) This is relevant only if a device is attached. 0 = Full-speed device attached to this port 1 = Low-speed device attached to this port
10	<b>High Speed Device Attached:</b> (USB_PORT_STAT_HIGH_SPEED) This field indicates whether the connected device is high-speed device 0 = High-speed device is not attached to this port 1 = High-speed device attached to this port NOTE: this bit has precedence over Bit 9; if set, bit 9 must be ignored.
11-15	<b>Reserved</b> These bits return 0 when read.

**Table 107. Hub Port Change Status Bitmap**

Bit	Description
0	<p><b>Connect Status Change:</b> (USB_PORT_STAT_C_CONNECTION) Indicates a change has occurred in the port's Current Connect Status.</p> <p>0 = No change has occurred to Current Connect status 1 = Current Connect status has changed</p>
1	<p><b>Port Enable /Disable Change:</b> (USB_PORT_STAT_C_ENABLE)</p> <p>0 = No change 1 = Port enabled/disabled status has changed</p>
2	<p><b>Suspend Change:</b> (USB_PORT_STAT_C_SUSPEND) This field indicates a change in the host-visible suspend state of the attached device.</p> <p>0 = No change 1 = Resume complete</p>
3	<p><b>Over-Current Indicator Change:</b> (USB_PORT_STAT_C_OVERCURRENT)</p> <p>0 = No change has occurred to Over-Current Indicator 1 = Over-Current Indicator has changed</p>
4	<p><b>Reset Change:</b> (USB_PORT_STAT_C_RESET) This field is set when reset processing on this port is complete.</p> <p>0 = No change 1 = Reset complete</p>
5-15	<p><b>Reserved.</b> These bits return 0 when read.</p>

## Description

This function is used to retrieve the status of the root hub port specified by *PortNumber*.

**EFI\_USB\_PORT\_STATUS** describes the port status of a specified USB port. This data structure is designed to be common to both a USB root hub port and a USB hub port.

The number of root hub ports attached to the USB host controller can be determined with the function **GetRootHubPortNumber ()**. If *PortNumber* is greater than or equal to the number of ports returned by **GetRootHubPortNumber ()**, then **EFI\_INVALID\_PARAMETER** is returned. Otherwise, the status of the USB root hub port is returned in *PortStatus*, and **EFI\_SUCCESS** is returned.

## Status Codes Returned

EFI_SUCCESS	The status of the USB root hub port specified by <i>PortNumber</i> was returned in <i>PortStatus</i> .
EFI_INVALID_PARAMETER	<i>PortNumber</i> is invalid.

## EFI\_USB2\_HC\_PROTOCOL.SetRootHubPortFeature()

### Summary

Sets a feature for the specified root hub port.

### Prototype

```
typedef
EFI_STATUS
(EFIAPI *EFI_USB2_HC_PROTOCOL_SET_ROOTHUB_PORT_FEATURE) (
    IN EFI_USB2_HC_PROTOCOL          *This,
    IN UINT8                          PortNumber,
    IN EFI_USB_PORT_FEATURE          PortFeature
);
```

### Parameters

<i>This</i>	A pointer to the <b>EFI_USB2_HC_PROTOCOL</b> instance. Type <b>EFI_USB2_HC_PROTOCOL</b> is defined in Section 16.1.
<i>PortNumber</i>	Specifies the root hub port whose feature is requested to be set. This value is zero based. For example, if a root hub has two ports, then the first port is number 0, and the second port is numbered 1.
<i>PortFeature</i>	Indicates the feature selector associated with the feature set request. The port feature indicator is defined in “Related Definitions” and Table 108 below.

### Related Definitions

```
typedef enum {
    EfiUsbPortEnable           = 1,
    EfiUsbPortSuspend         = 2,
    EfiUsbPortReset           = 4,
    EfiUsbPortPower           = 8,
    EfiUsbPortConnectChange   = 16,
    EfiUsbPortEnableChange    = 17,
    EfiUsbPortSuspendChange   = 18,
    EfiUsbPortOverCurrentChange = 19,
    EfiUsbPortResetChange     = 20
} EFI_USB_PORT_FEATURE;
```

The feature values specified in the enumeration variable have special meaning. Each value indicates its bit index in the port status and status change bitmaps, if combines these two bitmaps into a 32-bit bitmap. The meaning of each port feature is listed in Table 108.

**Table 108. USB Port Feature**

<b>Port Feature</b>	<b>For SetRootHubPortFeature</b>	<b>For ClearRootHubPortFeature</b>
EfiUsbPortEnable	Enable the given port of the root hub.	Disable the given port of the root hub.
EfiUsbPortSuspend	Put the given port into suspend state.	Restore the given port from the previous suspend state.
EfiUsbPortReset	Reset the given port of the root hub.	Clear the RESET signal for the given port of the root hub.
EfiUsbPortPower	Power the given port.	Shutdown the power from the given port.
EfiUsbPortConnectChange	N/A.	Clear USB_PORT_STAT_C_CONNECTION bit of the given port of the root hub.
EfiUsbPortEnableChange	N/A.	Clear USB_PORT_STAT_C_ENABLE bit of the given port of the root hub.
EfiUsbPortSuspendChange	N/A.	Clear USB_PORT_STAT_C_SUSPEND bit of the given port of the root hub.
EfiUsbPortOverCurrentChange	N/A.	Clear USB_PORT_STAT_C_OVERCURRENT bit of the given port of the root hub.
EfiUsbPortResetChange	N/A.	Clear USB_PORT_STAT_C_RESET bit of the given port of the root hub.

## Description

This function sets the feature specified by *PortFeature* for the USB root hub port specified by *PortNumber*. Setting a feature enables that feature or starts a process associated with that feature. For the meanings about the defined features, please refer to Table 106 and Table 107.

The number of root hub ports attached to the USB host controller can be determined with the function **GetRootHubPortNumber ()**. If *PortNumber* is greater than or equal to the number of ports returned by **GetRootHubPortNumber ()**, then **EFI\_INVALID\_PARAMETER** is returned. If *PortFeature* is not **EfiUsbPortEnable**, **EfiUsbPortSuspend**, **EfiUsbPortReset** nor **EfiUsbPortPower**, then **EFI\_INVALID\_PARAMETER** is returned.

## Status Codes Returned

EFI_SUCCESS	The feature specified by <i>PortFeature</i> was set for the USB root hub port specified by <i>PortNumber</i> .
EFI_INVALID_PARAMETER	<i>PortNumber</i> is invalid or <i>PortFeature</i> is invalid for this function.

## EFI\_USB2\_HC\_PROTOCOL.ClearRootHubPortFeature()

### Summary

Clears a feature for the specified root hub port.

### Prototype

```
typedef
EFI_STATUS
(EFIAPI *EFI_USB2_HC_PROTOCOL_CLEAR_ROOTHUB_PORT_FEATURE) (
    IN EFI_USB2_HC_PROTOCOL    *This
    IN UINT8                   PortNumber,
    IN EFI_USB_PORT_FEATURE    PortFeature
);
```

### Parameters

<i>This</i>	A pointer to the <b>EFI_USB2_HC_PROTOCOL</b> instance. Type <b>EFI_USB2_HC_PROTOCOL</b> is defined in Section 16.1.
<i>PortNumber</i>	Specifies the root hub port whose feature is requested to be cleared. This value is zero-based. For example, if a root hub has two ports, then the first port is number 0, and the second port is numbered 1.
<i>PortFeature</i>	Indicates the feature selector associated with the feature clear request. The port feature indicator ( <b>EFI_USB_PORT_FEATURE</b> ) is defined in the “Related Definitions” section of the <b>SetRootHubPortFeature ()</b> function description and in Table 108.

### Description

This function clears the feature specified by *PortFeature* for the USB root hub port specified by *PortNumber*. Clearing a feature disables that feature or stops a process associated with that feature. For the meanings about the defined features, refer to Table 106 and Table 107.

The number of root hub ports attached to the USB host controller can be determined with the function **GetRootHubPortNumber ()**. If *PortNumber* is greater than or equal to the number of ports returned by **GetRootHubPortNumber ()**, then **EFI\_INVALID\_PARAMETER** is returned. If *PortFeature* is not **EfiUsbPortEnable**, **EfiUsbPortSuspend**, **EfiUsbPortPower**, **EfiUsbPortConnectChange**, **EfiUsbPortResetChange**, **EfiUsbPortEnableChange**, **EfiUsbPortSuspendChange**, or **EfiUsbPortOverCurrentChange**, then **EFI\_INVALID\_PARAMETER** is returned.



## Status Codes Returned

EFI_SUCCESS	The feature specified by <i>PortFeature</i> was cleared for the USB root hub port specified by <i>PortNumber</i> .
EFI_INVALID_PARAMETER	<i>PortNumber</i> is invalid or <i>PortFeature</i> is invalid.

## 16.2 USB Driver Model

### 16.2.1 Scope

These sections (Sections 16.2 and below) describe the USB Driver Model. This includes the behavior of USB Bus Drivers, the behavior of a USB Device Drivers, and a detailed description of the EFI USB I/O Protocol. This document provides enough material to implement a USB Bus Driver, and the tools required to design and implement USB Device Drivers. It does not provide any information on specific USB devices.

The material contained in this section is designed to extend this specification and the *UEFI Driver Model* in a way that supports USB device drivers and USB bus drivers. These extensions are provided in the form of USB specific protocols. This document provides the information required to implement a USB Bus Driver in system firmware. The document also contains the information required by driver writers to design and implement USB Device Drivers that a platform may need to boot a UEFI-compliant OS.

The USB Driver Model described here is intended to be a foundation on which a USB Bus Driver and a wide variety of USB Device Drivers can be created. USB Driver Model Overview

The USB Driver Stack includes the USB Bus Driver, USB Host Controller Driver, and individual USB device drivers.

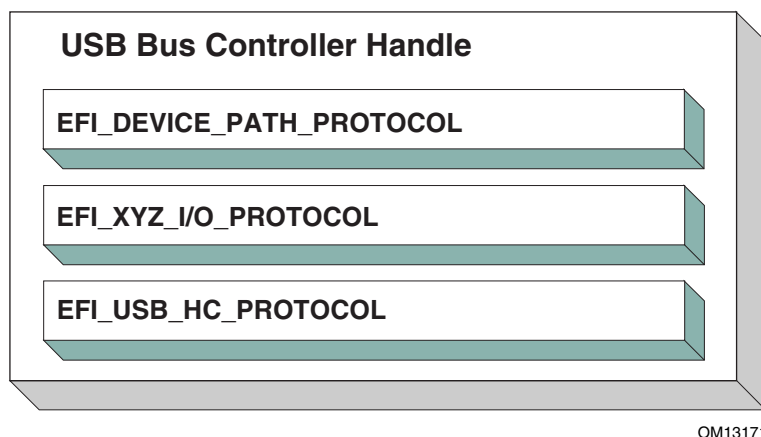


Figure 45. USB Bus Controller Handle

In the USB Bus Driver Design, the USB Bus Controller is managed by two drivers. One is USB Host Controller Driver, which consumes its parent bus **EFI\_XYZ\_IO\_PROTOCOL**, and produces **EFI\_USB2\_HC\_PROTOCOL** and attaches it to the Bus Controller Handle. The other one is USB Bus Driver, which consumes **EFI\_USB2\_HC\_PROTOCOL**, and performs bus enumeration. Figure 45 shows protocols that are attached to the USB Bus Controller Handle. Detailed descriptions are presented in the following sections.

## 16.2.2 USB Bus Driver

USB Bus Driver performs periodic Enumeration on the USB Bus. In USB bus enumeration, when a new USB controller is found, the bus driver does some standard configuration for that new controller, and creates a device handle for it. The **EFI\_USB\_IO\_PROTOCOL** and the **EFI\_DEVICE\_PATH\_PROTOCOL** are attached to the device handle so that the USB controller can be accessed. The USB Bus Driver is also responsible for connecting USB device drivers to USB controllers. When a USB device is detached from a USB bus, the USB bus driver will stop that USB controller, and uninstall the **EFI\_USB\_IO\_PROTOCOL** and the **EFI\_DEVICE\_PATH\_PROTOCOL** from that handle. A detailed description is given in Section 16.2.2.3.

### 16.2.2.1 USB Bus Driver Entry Point

Like all other device drivers, the entry point for a USB Bus Driver attaches the **EFI\_DRIVER\_BINDING\_PROTOCOL** to image handle of the USB Bus Driver.

### 16.2.2.2 Driver Binding Protocol for USB Bus Drivers

The Driver Binding Protocol contains three services. These are **Supported()**, **Start()**, and **Stop()**. **Supported()** tests to see if the USB Bus Driver can manage a device handle. A USB Bus Driver can only manage a device handle that contains **EFI\_USB2\_HC\_PROTOCOL**.

The general idea is that the USB Bus Driver is a generic driver. Since there are several types of USB Host Controllers, an **EFI\_USB2\_HC\_PROTOCOL** is used to abstract the host controller interface. Actually, a USB Bus Driver only requires an **EFI\_USB2\_HC\_PROTOCOL**.

The **Start()** function tells the USB Bus Driver to start managing the USB Bus. In this function, the USB Bus Driver creates a device handle for the root hub, and creates a timer to monitor root hub connection changes.

The **Stop()** function tells the USB Bus Driver to stop managing a USB Host Bus Controller. The **Stop()** function simply deconfigures the devices attached to the root hub. The deconfiguration is a recursive process. If the device to be deconfigured is a USB hub, then all USB devices attached to its downstream ports will be deconfigured first, then itself. If all of the child devices handles have been destroyed then the **EFI\_USB2\_HC\_PROTOCOL** is closed. Finally, the **Stop()** unctioin will then place the USB Host Bus Controller in a quiescent state.

### 16.2.2.3 USB Hot-Plug Event

Hot-Plug is one of the most important features provided by USB. A USB bus driver implements this feature through two methods. There are two types of hubs defined in the USB specification. One is the USB root hub, which is implemented in the USB Host controller. A timer event is created for the root hub. The other one is a USB Hub. An event is created for each hub that is correctly configured. All these events are associated with the same trigger which is USB bus numerator.

When USB bus enumeration is triggered, the USB Bus Driver checks the source of the event. This is required because the root hub differs from standard USB hub in checking the hub status. The status of a root hub is retrieved through the **EFI\_USB2\_HC\_PROTOCOL**, and that status of a standard USB hub is retrieved through a USB control transfer. A detailed description of the enumeration process is presented in the next section.

### 16.2.2.4 USB Bus Enumeration

When the periodic timer or the hubs notify event is signaled, the USB Bus Driver will perform bus numeration.

1. Determine if the event is from the root hub or a standard USB hub.
2. Determine the port on which the connection change event occurred.
3. Determine if it is a connection change or a disconnection change.
4. If a connect change is detected, then a new device has been attached. Perform the following:
  - a. Reset and enable that port.
  - b. Configure the new device.
  - c. Parse the device configuration descriptors; get all of its interface descriptors (i.e. all USB controllers), and configure each interface.
  - d. Create a new handle for each interface (USB Controller) within the USB device. Attach the **EFI\_DEVICE\_PATH\_PROTOCOL**, and the **EFI\_USB\_IO\_PROTOCOL** to each handle.
  - e. Connect the USB Controller to a USB device driver with the Boot Service **ConnectController()** if applicable.
  - f. If the USB Controller is a USB hub, create a Hub notify event which is associated with the USB Bus Enumerator, and submit an Asynchronous Interrupt Transfer Request (See Section 16.2.4).
5. If a disconnect change, then a device has been detached from the USB Bus. Perform the following:
  - a. If the device is not a USB Hub, then find and deconfigure the USB Controllers within the device. Then, stop each USB controller with **DisconnectController()**, and uninstall the **EFI\_DEVICE\_PATH\_PROTOCOL** and the **EFI\_USB\_IO\_PROTOCOL** from the controller's handle.
  - b. If the USB controller is USB hub controller, first find and deconfigure all its downstream USB devices (this is a recursive process, since there may be additional USB hub controllers on the downstream ports), then deconfigure USB hub controller itself.

### 16.2.3 USB Device Driver

A USB Device Driver manages a USB Controller and produces a device abstraction for use by a preboot application.

#### 16.2.3.1 USB Device Driver Entry Point

Like all other device drivers, the entry point for a USB Device Driver attaches [EFI DRIVER BINDING PROTOCOL](#) to image handle of the USB Device Driver.

#### 16.2.3.2 Driver Binding Protocol for USB Device Drivers

The Driver Binding Protocol contains three services. These are [Supported\(\)](#), [Start\(\)](#), and [Stop\(\)](#).

The [Supported\(\)](#) tests to see if the USB Device Driver can manage a device handle. This function checks to see if a controller can be managed by the USB Device Driver. This is done by opening the [EFI\\_USB\\_IO\\_PROTOCOL](#) bus abstraction on the USB Controller handle, and using the [EFI\\_USB\\_IO\\_PROTOCOL](#) services to determine if this USB Controller matches the profile that the USB Device Driver is capable of managing.

The [Start\(\)](#) function tells the USB Device Driver to start managing a USB Controller. It opens the [EFI\\_USB\\_IO\\_PROTOCOL](#) instance from the handle for the USB Controller. This protocol instance is used to perform USB packet transmission over the USB bus. For example, if the USB controller is USB keyboard, then the USB keyboard driver would produce and install the [EFI\\_SIMPLE\\_TEXT\\_INPUT\\_PROTOCOL](#) to the USB controller handle.

The [Stop\(\)](#) function tells the USB Device Driver to stop managing a USB Controller. It removes the I/O abstraction protocol instance previously installed in [Start\(\)](#) from the USB controller handle. It then closes the [EFI\\_USB\\_IO\\_PROTOCOL](#).

### 16.2.4 EFI USB I/O Protocol Overview

This section provides a detailed description of the [EFI\\_USB\\_IO\\_PROTOCOL](#). This protocol is used by code, typically drivers, running in the EFI boot services environment to access USB devices like USB keyboards, mice and mass storage devices. In particular, functions for managing devices on USB buses are defined here.

The interfaces provided in the [EFI\\_USB\\_IO\\_PROTOCOL](#) are for performing basic operations to access USB devices. Typically, USB devices are accessed through the four different transfers types:

- **Controller Transfer:** Typically used to configure the USB device into an operation mode.
- **Interrupt Transfer:** Typically used to get periodic small amount of data, like USB keyboard and mouse.
- **Bulk Transfer:** Typically used to transfer large amounts of data like reading blocks from USB mass storage devices.
- **Isochronous Transfer:** Typically used to transfer data at a fixed rate like voice data.

This protocol also provides mechanisms to manage and configure USB devices and controllers.

## EFI\_USB\_IO Protocol

### Summary

Provides services to manage and communicate with USB devices.

### GUID

```
#define EFI_USB_IO_PROTOCOL_GUID \
    {0x2B2F68D6, 0x0CD2, 0x44cf, 0x8E, 0x8B, 0xBB, 0xA2, 0x0B, 0x1B,
     0x5B, 0x75}
```

### Protocol Interface Structure

```
typedef struct _EFI_USB_IO_PROTOCOL {
    EFI_USB_IO_CONTROL_TRANSFER           UsbControlTransfer;
    EFI_USB_IO_BULK_TRANSFER              UsbBulkTransfer;
    EFI_USB_IO_ASYNC_INTERRUPT_TRANSFER  UsbAsyncInterruptTransfer;
    EFI_USB_IO_SYNC_INTERRUPT_TRANSFER    UsbSyncInterruptTransfer
    EFI_USB_IO_ISOCHRONOUS_TRANSFER       UsbIsochronousTransfer;
    EFI_USB_IO_ASYNC_ISOCHRONOUS_TRANSFER UsbAsyncIsochronousTransfer;
    EFI_USB_IO_GET_DEVICE_DESCRIPTOR      UsbGetDeviceDescriptor;
    EFI_USB_IO_GET_CONFIG_DESCRIPTOR      UsbGetConfigDescriptor;
    EFI_USB_IO_GET_INTERFACE_DESCRIPTOR   UsbGetInterfaceDescriptor;
    EFI_USB_IO_GET_ENDPOINT_DESCRIPTOR    UsbGetEndpointDescriptor;
    EFI_USB_IO_GET_STRING_DESCRIPTOR      UsbGetStringDescriptor;
    EFI_USB_IO_GET_SUPPORTED_LANGUAGES    UsbGetSupportedLanguages;
    EFI_USB_IO_PORT_RESET                  UsbPortReset;
} EFI_USB_IO_PROTOCOL;
```

### Parameters

<i>UsbControlTransfer</i>	Accesses the USB Device through USB Control Transfer Pipe. See the <a href="#"><u>UsbControlTransfer()</u></a> function description.
<i>UsbBulkTransfer</i>	Accesses the USB Device through USB Bulk Transfer Pipe. See the <a href="#"><u>UsbBulkTransfer()</u></a> function description.
<i>UsbAsyncInterruptTransfer</i>	Non-block USB interrupt transfer. See the <a href="#"><u>UsbAsyncInterruptTransfer()</u></a> function description.
<i>UsbSyncInterruptTransfer</i>	Accesses the USB Device through USB Synchronous Interrupt Transfer Pipe. See the <a href="#"><u>UsbSyncInterruptTransfer()</u></a> function description.

<i>UsbIsochronousTransfer</i>	Accesses the USB Device through USB Isochronous Transfer Pipe. See the <a href="#"><u>UsbIsochronousTransfer ()</u></a> function description.
<i>UsbAsyncIsochronousTransfer</i>	Nonblock USB isochronous transfer. See the <a href="#"><u>UsbAsyncIsochronousTransfer ()</u></a> function description.
<i>UsbGetDeviceDescriptor</i>	Retrieves the device descriptor of a USB device. See the <a href="#"><u>UsbGetDeviceDescriptor ()</u></a> function description.
<i>UsbGetConfigDescriptor</i>	Retrieves the activated configuration descriptor of a USB device. See the <a href="#"><u>UsbGetConfigDescriptor ()</u></a> function description.
<i>UsbGetInterfaceDescriptor</i>	Retrieves the interface descriptor of a USB Controller. See the <a href="#"><u>UsbGetInterfaceDescriptor ()</u></a> function description.
<i>UsbGetEndpointDescriptor</i>	Retrieves the endpoint descriptor of a USB Controller. See the <a href="#"><u>UsbGetEndpointDescriptor ()</u></a> function description.
<i>UsbGetStringDescriptor</i>	Retrieves the string descriptor inside a USB Device. See the <a href="#"><u>UsbGetStringDescriptor ()</u></a> function description.
<i>UsbGetSupportedLanguages</i>	Retrieves the array of languages that the USB device supports. See the <a href="#"><u>UsbGetSupportedLanguages ()</u></a> function description.
<i>UsbPortReset</i>	Resets and reconfigures the USB controller. See the <a href="#"><u>UsbPortReset ()</u></a> function description.

## Description

The **EFI\_USB\_IO\_PROTOCOL** provides four basic transfers types described in the *USB 1.1 Specification*. These include control transfer, interrupt transfer, bulk transfer and isochronous transfer. The **EFI\_USB\_IO\_PROTOCOL** also provides some basic USB device/controller management and configuration interfaces. A USB device driver uses the services of this protocol to manage USB devices.

## EFI\_USB\_IO\_PROTOCOL.UsbControlTransfer()

### Summary

This function is used to manage a USB device with a control transfer pipe. A control transfer is typically used to perform device initialization and configuration.

### Prototype

```
typedef
EFI_STATUS
(EFIAPI *EFI_USB_IO_CONTROL_TRANSFER) (
    IN      EFI_USB_IO_PROTOCOL      *This,
    IN      EFI_USB_DEVICE_REQUEST  *Request,
    IN      EFI_USB_DATA_DIRECTION  Direction,
    IN      UINT32                   Timeout,
    IN OUT  VOID                     *Data      OPTIONAL,
    IN      UINTN                    DataLength OPTIONAL,
    OUT     UINT32                   *Status
);
```

### Parameters

<i>This</i>	A pointer to the <b>EFI_USB_IO_PROTOCOL</b> instance. Type <b>EFI_USB_IO_PROTOCOL</b> is defined in Section 16.2.4.
<i>Request</i>	A pointer to the USB device request that will be sent to the USB device. See “Related Definitions” below.
<i>Direction</i>	Indicates the data direction. See “Related Definitions” below for this type.
<i>Data</i>	A pointer to the buffer of data that will be transmitted to USB device or received from USB device.
<i>Timeout</i>	Indicating the transfer should be completed within this time frame. The units are in milliseconds. If <i>Timeout</i> is 0, then the caller must wait for the function to be completed until <b>EFI_SUCCESS</b> or <b>EFI_DEVICE_ERROR</b> is returned.
<i>DataLength</i>	The size, in bytes, of the data buffer specified by <i>Data</i> .
<i>Status</i>	A pointer to the result of the USB transfer.



## Related Definitions

```
typedef enum {
    EfiUsbDataIn,
    EfiUsbDataOut,
    EfiUsbNoData
} EFI_USB_DATA_DIRECTION;

//
// Error code for USB Transfer Results
//
#define EFI_USB_NOERROR                0x0000
#define EFI_USB_ERR_NOTEXECUTE         0x0001
#define EFI_USB_ERR_STALL              0x0002
#define EFI_USB_ERR_BUFFER             0x0004
#define EFI_USB_ERR_BABBLE             0x0008
#define EFI_USB_ERR_NAK               0x0010
#define EFI_USB_ERR_CRC                0x0020
#define EFI_USB_ERR_TIMEOUT           0x0040
#define EFI_USB_ERR_BITSTUFF          0x0080
#define EFI_USB_ERR_SYSTEM            0x0100

typedef struct {
    UINT8           RequestType;
    UINT8           Request;
    UINT16          Value;
    UINT16          Index;
    UINT16          Length;
} EFI_USB_DEVICE_REQUEST;
```

<i>RequestType</i>	The field identifies the characteristics of the specific request.
<i>Request</i>	This field specifies the particular request.
<i>Value</i>	This field is used to pass a parameter to USB device that is specific to the request.
<i>Index</i>	This field is also used to pass a parameter to USB device that is specific to the request.
<i>Length</i>	This field specifies the length of the data transferred during the second phase of the control transfer. If it is 0, then there is no data phase in this transfer.

## Description

This function allows a USB device driver to communicate with the USB device through a Control Transfer. There are three control transfer types according to the data phase. If the *Direction* parameter is **EfiUsbNoData**, *Data* is **NULL**, and *DataLength* is 0, then no data phase exists for the control transfer. If the *Direction* parameter is **EfiUsbDataOut**, then *Data* specifies the data to be transmitted to the device, and *DataLength* specifies the number of bytes to transfer to the device. In this case there is an OUT DATA stage followed by a SETUP stage. If the *Direction* parameter is **EfiUsbDataIn**, then *Data* specifies the data that is received from the device, and *DataLength* specifies the number of bytes to receive from the device. In this case there is an IN DATA stage followed by a SETUP stage. After the USB transfer has completed successfully, **EFI\_SUCCESS** is returned. If the transfer cannot be completed due to timeout, then **EFI\_TIMEOUT** is returned. If an error other than timeout occurs during the USB transfer, then **EFI\_DEVICE\_ERROR** is returned and the detailed status code is returned in *Status*.

## Status Code Returned

EFI_SUCCESS	The control transfer has been successfully executed.
EFI_INVALID_PARAMETER	The parameter <i>Direction</i> is not valid.
EFI_INVALID_PARAMETER	<i>Request</i> is <b>NULL</b> .
EFI_INVALID_PARAMETER	<i>Status</i> is <b>NULL</b> .
EFI_OUT_OF_RESOURCES	The request could not be completed due to a lack of resources.
EFI_TIMEOUT	The control transfer fails due to timeout.
EFI_DEVICE_ERROR	The transfer failed. The transfer status is returned in <i>Status</i> .

## EFI\_USB\_IO\_PROTOCOL.UsbBulkTransfer()

### Summary

This function is used to manage a USB device with the bulk transfer pipe. Bulk Transfers are typically used to transfer large amounts of data to/from USB devices.

### Prototype

```
typedef
EFI_STATUS
(EFIAPI *EFI_USB_IO_BULK_TRANSFER) (
    IN      EFI_USB_IO_PROTOCOL  *This,
    IN      UINT8                DeviceEndpoint,
    IN      OUT VOID             *Data,
    IN OUT  UINTN                *DataLength,
    IN      UINTN                Timeout,
    OUT     UINT32               *Status
);
```

### Parameters

<i>This</i>	A pointer to the <b>EFI_USB_IO_PROTOCOL</b> instance. Type <b>EFI_USB_IO_PROTOCOL</b> is defined in Section 16.2.4.
<i>DeviceEndpoint</i>	The destination USB device endpoint to which the device request is being sent. <i>DeviceEndpoint</i> must be between 0x01 and 0x0F or between 0x81 and 0x8F, otherwise <b>EFI_INVALID_PARAMETER</b> is returned. If the endpoint is not a BULK endpoint, <b>EFI_INVALID_PARAMETER</b> is returned. The MSB of this parameter indicates the endpoint direction. The number “1” stands for an IN endpoint, and “0” stands for an OUT endpoint.
<i>Data</i>	A pointer to the buffer of data that will be transmitted to USB device or received from USB device.
<i>DataLength</i>	On input, the size, in bytes, of the data buffer specified by <i>Data</i> . On output, the number of bytes that were actually transferred.
<i>Timeout</i>	Indicating the transfer should be completed within this time frame. The units are in milliseconds. If <i>Timeout</i> is 0, then the caller must wait for the function to be completed until <b>EFI_SUCCESS</b> or <b>EFI_DEVICE_ERROR</b> is returned.
<i>Status</i>	This parameter indicates the USB transfer status.

## Description

This function allows a USB device driver to communicate with the USB device through Bulk Transfer. The transfer direction is determined by the endpoint direction. If the USB transfer is successful, then **EFI\_SUCCESS** is returned. If USB transfer cannot be completed within the *Timeout* frame, **EFI\_TIMEOUT** is returned. If an error other than timeout occurs during the USB transfer, then **EFI\_DEVICE\_ERROR** is returned and the detailed status code will be returned in the *Status* parameter.

## Status Code Returned

EFI_SUCCESS	The bulk transfer has been successfully executed.
EFI_INVALID_PARAMETER	If <i>DeviceEndpoint</i> is not valid.
EFI_INVALID_PARAMETER	<i>Data</i> is <b>NULL</b> .
EFI_INVALID_PARAMETER	<i>DataLength</i> is <b>NULL</b> .
EFI_INVALID_PARAMETER	<i>Status</i> is <b>NULL</b> .
EFI_OUT_OF_RESOURCES	The request could not be completed due to a lack of resources.
EFI_TIMEOUT	The bulk transfer cannot be completed within <i>Timeout</i> timeframe.
EFI_DEVICE_ERROR	The transfer failed other than timeout, and the transfer status is returned in <i>Status</i> .

## EFI\_USB\_IO\_PROTOCOL.UsbAsyncInterruptTransfer()

### Summary

This function is used to manage a USB device with an interrupt transfer pipe. An Asynchronous Interrupt Transfer is typically used to query a device's status at a fixed rate. For example, keyboard, mouse, and hub devices use this type of transfer to query their interrupt endpoints at a fixed rate.

### Prototype

```
typedef
EFI_STATUS
(EFIAPI *EFI_USB_IO_ASYNC_INTERRUPT_TRANSFER) (
    IN EFI_USB_IO_PROTOCOL          *This,
    IN UINT8                        DeviceEndpoint,
    IN BOOLEAN                      IsNewTransfer,
    IN UINTN                        PollingInterval    OPTIONAL,
    IN UINTN                        DataLength         OPTIONAL,
    IN EFI_ASYNC_USB_TRANSFER_CALLBACK InterruptCallBack OPTIONAL,
    IN VOID                          *Context         OPTIONAL
);
```

### Parameters

<i>This</i>	A pointer to the <b>EFI_USB_IO_PROTOCOL</b> instance. Type <b>EFI_USB_IO_PROTOCOL</b> is defined in Section 16.2.4.
<i>DeviceEndpoint</i>	The destination USB device endpoint to which the device request is being sent. <i>DeviceEndpoint</i> must be between 0x01 and 0x0F or between 0x81 and 0x8F, otherwise <b>EFI_INVALID_PARAMETER</b> is returned. If the endpoint is not an INTERRUPT endpoint, <b>EFI_INVALID_PARAMETER</b> is returned. The MSB of this parameter indicates the endpoint direction. The number “1” stands for an IN endpoint, and “0” stands for an OUT endpoint.
<i>IsNewTransfer</i>	If <b>TRUE</b> , a new transfer will be submitted to USB controller. If <b>FALSE</b> , the interrupt transfer is deleted from the device's interrupt transfer queue. If <b>TRUE</b> , and an interrupt transfer exists for the target end point, then <b>EFI_INVALID_PARAMETER</b> is returned.
<i>PollingInterval</i>	Indicates the periodic rate, in milliseconds, that the transfer is to be executed. This parameter is required when <i>IsNewTransfer</i> is <b>TRUE</b> . The value must be between 1 to 255, otherwise <b>EFI_INVALID_PARAMETER</b> is returned. The units are in milliseconds.
<i>DataLength</i>	Specifies the length, in bytes, of the data to be received from the USB device. This parameter is only required when <i>IsNewTransfer</i> is <b>TRUE</b> .

*Context* Data passed to the *InterruptCallback* function. This is an optional parameter and may be **NULL**.

*InterruptCallback* The Callback function. This function is called if the asynchronous interrupt transfer is completed. This parameter is required when *IsNewTransfer* is **TRUE**. See “Related Definitions” for the definition of this type.

## Related Definitions

```
typedef
EFI_STATUS
(EFIAPI * EFI_ASYNC_USB_TRANSFER_CALLBACK) (
    IN VOID *Data,
    IN UINTN DataLength,
    IN VOID *Context,
    IN UINT32 Status
);
```

*Data* Data received or sent via the USB Asynchronous Transfer, if the transfer completed successfully.

*DataLength* The length of *Data* received or sent via the Asynchronous Transfer, if transfer successfully completes.

*Context* Data passed from [UsbAsyncInterruptTransfer\(\)](#) request.

*Status* Indicates the result of the asynchronous transfer.

## Description

This function allows a USB device driver to communicate with a USB device with an Interrupt Transfer. Asynchronous Interrupt transfer is different than the other four transfer types because it is a nonblocking transfer. The interrupt endpoint is queried at a fixed rate, and the data transfer direction is always in the direction from the USB device towards the system.

If *IsNewTransfer* is **TRUE**, then an interrupt transfer is started at a fixed rate. The rate is specified by *PollingInterval*, the size of the receive buffer is specified by *DataLength*, and the callback function is specified by *InterruptCallback*. If *IsNewTransfer* is **TRUE**, and an interrupt transfer exists for the target end point, then **EFI\_INVALID\_PARAMETER** is returned.

If *IsNewTransfer* is **FALSE**, then the interrupt transfer is canceled.

## Status Code Returned

EFI_SUCCESS	The asynchronous USB transfer request has been successfully executed.
EFI_DEVICE_ERROR	The asynchronous USB transfer request failed. When an interrupt transfer exists for the target end point and a new transfer is requested, EFI_INVALID_PARAMETER is returned.

## Examples

Below is an example of how an asynchronous interrupt transfer is used. The example shows how a USB Keyboard Device Driver can periodically receive data from interrupt endpoint.

```
EFI_USB_IO_PROTOCOL      *UsbIo;
EFI_STATUS               Status;
USB_KEYBOARD_DEV        *UsbKeyboardDevice;
EFI_USB_INTERRUPT_CALLBACK KeyboardHandle;

. . .
Status = UsbIo->UsbAsyncInterruptTransfer(
    UsbIo,
    UsbKeyboardDevice->IntEndpointAddress,
    TRUE,
    UsbKeyboardDevice->IntPollingInterval,
    8,
    KeyboardHandler,
    UsbKeyboardDevice
);

. . .

//
// The following is the InterruptCallback function. If there is any results got
// from Asynchronous Interrupt Transfer, this function will be called.
//
EFI_STATUS
KeyboardHandler(
    IN VOID          *Data,
    IN UINTN         DataLength,
    IN VOID          *Context,
    IN UINT32        Result
)
{
    USB_KEYBOARD_DEV *UsbKeyboardDevice;
    UINTN            I;

    if(EFI_ERROR(Result))
    {
        //
        // Something error during this transfer, just to some recovery work
        //
        . . .
        . . .
        return EFI_DEVICE_ERROR;
    }
}
```

```
    UsbKeyboardDevice = (USB_KEYBOARD_DEV *)Context;
    for(I = 0; I < DataLength; I++)
    {
        ParsedData(Data[I]);
        . . .
    }
    return EFI_SUCCESS;
}
```



## EFI\_USB\_IO\_PROTOCOL.UsbSyncInterruptTransfer()

### Summary

This function is used to manage a USB device with an interrupt transfer pipe. The difference between [UsbAsyncInterruptTransfer\(\)](#) and [UsbSyncInterruptTransfer\(\)](#) is that the Synchronous interrupt transfer will only be executed one time. Once it returns, regardless of its status, the interrupt request will be deleted in the system.

### Prototype

```
typedef
EFI_STATUS
(EFIAPI *EFI_USB_IO_SYNC_INTERRUPT_TRANSFER) (
    IN      EFI_USB_IO_PROTOCOL  *This,
    IN      UINT8                DeviceEndpoint,
    IN OUT VOID                  *Data,
    IN OUT UINTN                 *DataLength,
    IN      UINTN                 Timeout,
    OUT     UINT32                *Status
);
```

### Parameters

<i>This</i>	A pointer to the <a href="#">EFI_USB_IO_PROTOCOL</a> instance. Type <a href="#">EFI_USB_IO_PROTOCOL</a> is defined in Section 16.2.4.
<i>DeviceEndpoint</i>	The destination USB device endpoint to which the device request is being sent. <i>DeviceEndpoint</i> must be between 0x01 and 0x0F or between 0x81 and 0x8F, otherwise <a href="#">EFI_INVALID_PARAMETER</a> is returned. If the endpoint is not an INTERRUPT endpoint, <a href="#">EFI_INVALID_PARAMETER</a> is returned. The MSB of this parameter indicates the endpoint direction. The number “1” stands for an IN endpoint, and “0” stands for an OUT endpoint.
<i>Data</i>	A pointer to the buffer of data that will be transmitted to USB device or received from USB device.
<i>DataLength</i>	On input, then size, in bytes, of the buffer <i>Data</i> . On output, the amount of data actually transferred.
<i>Timeout</i>	The time out, in seconds, for this transfer. If <i>Timeout</i> is 0, then the caller must wait for the function to be completed until <a href="#">EFI_SUCCESS</a> or <a href="#">EFI_DEVICE_ERROR</a> is returned. If the transfer is not completed in this time frame, then <a href="#">EFI_TIMEOUT</a> is returned.
<i>Status</i>	This parameter indicates the USB transfer status.

## Description

This function allows a USB device driver to communicate with a USB device through a synchronous interrupt transfer. The **UsbSyncInterruptTransfer()** differs from **UsbAsyncInterruptTransfer()** described in the previous section in that it is a blocking transfer request. The caller must wait for the function return, either successfully or unsuccessfully.

## Status Code Returned

EFI_SUCCESS	The sync interrupt transfer has been successfully executed.
EFI_INVALID_PARAMETER	The parameter <i>DeviceEndpoint</i> is not valid.
EFI_INVALID_PARAMETER	<i>Data</i> is <b>NULL</b> .
EFI_INVALID_PARAMETER	<i>DataLength</i> is <b>NULL</b> .
EFI_INVALID_PARAMETER	<i>Status</i> is <b>NULL</b> .
EFI_OUT_OF_RESOURCES	The request could not be completed due to a lack of resources.
EFI_TIMEOUT	The transfer cannot be completed within <i>Timeout</i> timeframe.
EFI_DEVICE_ERROR	The transfer failed other than timeout, and the transfer status is returned in <i>Status</i> .

## EFI\_USB\_IO\_PROTOCOL.UsbIsochronousTransfer()

### Summary

This function is used to manage a USB device with an isochronous transfer pipe. An Isochronous transfer is typically used to transfer streaming data.

### Prototype

```
typedef
EFI_STATUS
(EFIAPI * EFI_USB_IO_ISOCHRONOUS_TRANSFER) (
    IN      EFI_USB_IO_PROTOCOL  *This,
    IN      UINT8                DeviceEndpoint,
    IN OUT VOID                  *Data,
    IN      UINTN                DataLength,
    OUT     UINT32               *Status
);
```

### Parameters

<i>This</i>	A pointer to the <b>EFI_USB_IO_PROTOCOL</b> instance. Type <b>EFI_USB_IO_PROTOCOL</b> is defined in Section 16.2.4.
<i>DeviceEndpoint</i>	The destination USB device endpoint to which the device request is being sent. <i>DeviceEndpoint</i> must be between 0x01 and 0x0F or between 0x81 and 0x8F, otherwise <b>EFI_INVALID_PARAMETER</b> is returned. If the endpoint is not an ISOCHRONOUS endpoint, <b>EFI_INVALID_PARAMETER</b> is returned. The MSB of this parameter indicates the endpoint direction. The number “1” stands for an IN endpoint, and “0” stands for an OUT endpoint.
<i>Data</i>	A pointer to the buffer of data that will be transmitted to USB device or received from USB device.
<i>DataLength</i>	The size, in bytes, of the data buffer specified by <i>Data</i> .
<i>Status</i>	This parameter indicates the USB transfer status.

## Description

This function allows a USB device driver to communicate with a USB device with an Isochronous Transfer. The type of transfer is different than the other types because the USB Bus Driver will not attempt to perform error recovery if transfer fails. If the USB transfer is completed successfully, then **EFI\_SUCCESS** is returned. The isochronous transfer is designed to be completed within 1 USB frame time, if it cannot be completed, **EFI\_TIMEOUT** is returned. If the transfer fails due to other reasons, then **EFI\_DEVICE\_ERROR** is returned and the detailed error status is returned in *Status*. If the data length exceeds the maximum payload per USB frame time, then it is this function's responsibility to divide the data into a set of smaller packets that fit into a USB frame time. If all the packets are transferred successfully, then **EFI\_SUCCESS** is returned.

## Status Code Returned

EFI_SUCCESS	The isochronous transfer has been successfully executed.
EFI_INVALID_PARAMETER	The parameter <i>DeviceEndpoint</i> is not valid.
EFI_OUT_OF_RESOURCES	The request could not be completed due to a lack of resources.
EFI_TIMEOUT	The transfer cannot be completed within the 1 USB frame time.
EFI_DEVICE_ERROR	The transfer failed due to the reason other than timeout, The error status is returned in <i>Status</i> .

## EFI\_USB\_IO\_PROTOCOL.UsbAsyncIsochronousTransfer()

### Summary

This function is used to manage a USB device with an isochronous transfer pipe. An asynchronous Isochronous transfer is a nonblocking USB isochronous transfer.

### Prototype

```
typedef
EFI_STATUS
(EFIAPI *EFI_USB_IO_ASYNC_ISOCHRONOUS_TRANSFER) (
    IN EFI_USB_IO_PROTOCOL          *This,
    IN UINT8                        DeviceEndpoint,
    IN OUT VOID                     *Data,
    IN UINTN                        DataLength,
    IN EFI_ASYNC_USB_TRANSFER_CALLBACK IsochronousCallBack,
    IN VOID                         *Context          OPTIONAL
);
```

### Parameters

<i>This</i>	A pointer to the <b>EFI_USB_IO_PROTOCOL</b> instance. Type <b>EFI_USB_IO_PROTOCOL</b> is defined in Section 16.2.4.
<i>DeviceEndpoint</i>	The destination USB device endpoint to which the device request is being sent. <i>DeviceEndpoint</i> must be between 0x01 and 0x0F or between 0x81 and 0x8F, otherwise <b>EFI_INVALID_PARAMETER</b> is returned. If the endpoint is not an ISOCHRONOUS endpoint, <b>EFI_INVALID_PARAMETER</b> is returned. The MSB of this parameter indicates the endpoint direction. The number “1” stands for an IN endpoint, and “0” stands for an OUT endpoint.
<i>Data</i>	A pointer to the buffer of data that will be transmitted to USB device or received from USB device.
<i>DataLength</i>	Specifies the length, in bytes, of the data to be sent to or received from the USB device.
<i>Context</i>	Data passed to the <b>IsochronousCallback()</b> function. This is an optional parameter and may be NULL.
<i>IsochronousCallback</i>	The <b>IsochronousCallback()</b> function. This function is called if the requested isochronous transfer is completed. See the “Related Definitions” section of the <b>UsbAsyncInterruptTransfer()</b> function description.

## Description

This is an asynchronous type of USB isochronous transfer. If the caller submits a USB isochronous transfer request through this function, this function will return immediately. When the isochronous transfer completes, the **IsochronousCallback()** function will be triggered, the caller can know the transfer results. If the transfer is successful, the caller can get the data received or sent in this callback function.

## Status Code Returned

EFI_SUCCESS	The asynchronous isochronous transfer has been successfully submitted to the system.
EFI_INVALID_PARAMETER	The parameter <i>DeviceEndpoint</i> is not valid.
EFI_OUT_OF_RESOURCES	The request could not be submitted due to a lack of resources.

## EFI\_USB\_IO\_PROTOCOL.UsbGetDeviceDescriptor()

### Summary

Retrieves the USB Device Descriptor.

### Prototype

```
typedef
EFI_STATUS
(EFIAPI *EFI_USB_IO_GET_DEVICE_DESCRIPTOR) (
    IN  EFI_USB_IO_PROTOCOL      *This,
    OUT EFI_USB_DEVICE_DESCRIPTOR *DeviceDescriptor
);
```

### Parameters

*This* A pointer to the [EFI\\_USB\\_IO\\_PROTOCOL](#) instance. Type [EFI\\_USB\\_IO\\_PROTOCOL](#) is defined in Section 16.2.4.

*DeviceDescriptor* A pointer to the caller allocated USB Device Descriptor. See “Related Definitions” for a detailed description.

### Related Definitions

```
//
// See USB1.1 for detail description.
//
typedef struct {
    UINT8    Length;
    UINT8    DescriptorType;
    UINT16   BcdUSB;
    UINT8    DeviceClass;
    UINT8    DeviceSubClass;
    UINT8    DeviceProtocol;
    UINT8    MaxPacketSize0;
    UINT16   IdVendor;
    UINT16   IdProduct;
    UINT16   BcdDevice;
    UINT8    StrManufacturer;
    UINT8    StrProduct;
    UINT8    StrSerialNumber;
    UINT8    NumConfigurations;
} EFI_USB_DEVICE_DESCRIPTOR;
```

## Description

This function is used to retrieve information about USB devices. This information includes the device class, subclass, and the number of configurations the USB device supports. If *DeviceDescriptor* is **NULL**, then **EFI\_INVALID\_PARAMETER** is returned. If the USB device descriptor is not found, then **EFI\_NOT\_FOUND** is returned. Otherwise, the device descriptor is returned in *DeviceDescriptor*, and **EFI\_SUCCESS** is returned.

## Status Code Returned

EFI_SUCCESS	The device descriptor was retrieved successfully.
EFI_INVALID_PARAMETER	<i>DeviceDescriptor</i> is NULL.
EFI_NOT_FOUND	The device descriptor was not found. The device may not be configured.



## EFI\_USB\_IO\_PROTOCOL.UsbGetConfigDescriptor()

### Summary

Retrieves the USB Device Configuration Descriptor.

### Prototype

```
typedef
EFI_STATUS
(EFIAPI *EFI_USB_IO_GET_CONFIG_DESCRIPTOR) (
    IN  EFI_USB_IO_PROTOCOL      *This,
    OUT EFI_USB_CONFIG_DESCRIPTOR *ConfigurationDescriptor
);
```

### Parameters

*This* A pointer to the [EFI\\_USB\\_IO\\_PROTOCOL](#) instance. Type [EFI\\_USB\\_IO\\_PROTOCOL](#) is defined in Section 16.2.4.

*ConfigurationDescriptor* A pointer to the caller allocated USB Active Configuration Descriptor. See “Related Definitions” for a detailed description.

### Related Definitions

```
//
// See USB1.1 for detail description.
//
typedef struct {
    UINT8    Length;
    UINT8    DescriptorType;
    UINT16   TotalLength;
    UINT8    NumInterfaces;
    UINT8    ConfigurationValue;
    UINT8    Configuration;
    UINT8    Attributes;
    UINT8    MaxPower;
} EFI_USB_CONFIG_DESCRIPTOR;
```

### Description

This function is used to retrieve the active configuration that the USB device is currently using. If *ConfigurationDescriptor* is **NULL**, then **EFI\_INVALID\_PARAMETER** is returned. If the USB controller does not contain an active configuration, then **EFI\_NOT\_FOUND** is returned. Otherwise, the active configuration is returned in *ConfigurationDescriptor*, and **EFI\_SUCCESS** is returned.

## Status Code Returned

EFI_SUCCESS	The active configuration descriptor was retrieved successfully.
EFI_INVALID_PARAMETER	<i>ConfigurationDescriptor</i> is NULL.
EFI_NOT_FOUND	An active configuration descriptor cannot be found. The device may not be configured.

## EFI\_USB\_IO\_PROTOCOL.UsbGetInterfaceDescriptor()

### Summary

Retrieves the Interface Descriptor for a USB Device Controller. As stated earlier, an interface within a USB device is equivalently to a USB Controller within the current configuration.

### Prototype

```
typedef
EFI_STATUS
(EFIAPI *EFI_USB_IO_GET_INTERFACE_DESCRIPTOR) (
    IN   EFI_USB_IO_PROTOCOL           *This,
    OUT  EFI_USB_INTERFACE_DESCRIPTOR *InterfaceDescriptor
);
```

### Parameters

*This* A pointer to the **EFI\_USB\_IO\_PROTOCOL** instance. Type **EFI\_USB\_IO\_PROTOCOL** is defined in Section 16.2.4.

*InterfaceDescriptor* A pointer to the caller allocated USB Interface Descriptor within the configuration setting. See “Related Definitions” for a detailed description.

### Related Definitions

```
//
// See USB1.1 for detail description.
//
typedef struct {
    UINT8 Length;
    UINT8 DescriptorType;
    UINT8 InterfaceNumber;
    UINT8 AlternateSetting;
    UINT8 NumEndpoints;
    UINT8 InterfaceClass;
    UINT8 InterfaceSubClass;
    UINT8 InterfaceProtocol;
    UINT8 Interface;
} EFI_USB_INTERFACE_DESCRIPTOR;
```

## Description

This function is used to retrieve the interface descriptor for the USB controller. If *InterfaceDescriptor* is **NULL**, then **EFI\_INVALID\_PARAMETER** is returned. If the USB controller does not contain an interface descriptor, then **EFI\_NOT\_FOUND** is returned. Otherwise, the interface descriptor is returned in *InterfaceDescriptor*, and **EFI\_SUCCESS** is returned.

## Status Code Returned

EFI_SUCCESS	The interface descriptor retrieved successfully.
EFI_INVALID_PARAMETER	<i>InterfaceDescriptor</i> is <b>NULL</b> .
EFI_NOT_FOUND	The interface descriptor cannot be found. The device may not be correctly configured.

## EFI\_USB\_IO\_PROTOCOL.UsbGetEndpointDescriptor()

### Summary

Retrieves an Endpoint Descriptor within a USB Controller.

### Prototype

```
typedef
EFI_STATUS
(EFIAPI *EFI_USB_IO_GET_ENDPOINT_DESCRIPTOR) (
    IN  EFI_USB_IO_PROTOCOL      *This,
    IN  UINT8                    EndpointIndex,
    OUT EFI_USB_ENDPOINT_DESCRIPTOR *EndpointDescriptor
);
```

### Parameters

*This* A pointer to the **EFI\_USB\_IO\_PROTOCOL** instance. Type **EFI\_USB\_IO\_PROTOCOL** is defined in Section 16.2.4.

*EndpointIndex* Indicates which endpoint descriptor to retrieve. The valid range is 0..15.

*EndpointDescriptor* A pointer to the caller allocated USB Endpoint Descriptor of a USB controller. See “Related Definitions” for a detailed description.

### Related Definitions

```
//
// See USB1.1 for detail description.
//
typedef struct {
    UINT8    Length;
    UINT8    DescriptorType;
    UINT8    EndpointAddress;
    UINT8    Attributes;
    UINT16   MaxPacketSize;
    UINT8    Interval;
} EFI_USB_ENDPOINT_DESCRIPTOR;
```

### Description

This function is used to retrieve an endpoint descriptor within a USB controller. If *EndpointIndex* is not in the range 0..15, then **EFI\_INVALID\_PARAMETER** is returned. If *EndpointDescriptor* is **NULL**, then **EFI\_INVALID\_PARAMETER** is returned. If the endpoint specified by *EndpointIndex* does not exist within the USB controller, then **EFI\_NOT\_FOUND** is returned. Otherwise, the endpoint descriptor is returned in *EndpointDescriptor*, and **EFI\_SUCCESS** is returned.

## Status Code Returned

EFI_SUCCESS	The endpoint descriptor was retrieved successfully.
EFI_INVALID_PARAMETER	<i>EndpointIndex</i> is not valid.
EFI_INVALID_PARAMETER	<i>EndpointDescriptor</i> is <b>NULL</b> .
EFI_NOT_FOUND	The endpoint descriptor cannot be found. The device may not be correctly configured.

## Examples

The following code fragment shows how to retrieve all the endpoint descriptors from a USB controller.

```
EFI_USB_IO_PROTOCOL          *UsbIo;
EFI_USB_INTERFACE_DESCRIPTOR InterfaceDesc;
EFI_USB_ENDPOINT_DESCRIPTOR  EndpointDesc;
UINTN                        Index;

Status = UsbIo->GetInterfaceDescriptor (
    UsbIo,
    &InterfaceDesc
);

. . .
for(Index = 0; Index < InterfaceDesc.NumEndpoints; Index++) {
    Status = UsbIo->GetEndpointDescriptor(
        UsbIo,
        Index,
        &EndpointDesc
    );

    . . .
}
```

## EFI\_USB\_IO\_PROTOCOL.UsbGetStringDescriptor()

### Summary

Retrieves a Unicode string stored in a USB Device.

### Prototype

```
typedef
EFI_STATUS
(EFIAPI *EFI_USB_IO_GET_STRING_DESCRIPTOR) (
    IN  EFI_USB_IO_PROTOCOL  *This,
    IN  UINT16                LangID,
    IN  UINT8                 StringID,
    OUT CHAR16                **String
);
```

### Parameters

<i>This</i>	A pointer to the <a href="#">EFI_USB_IO_PROTOCOL</a> instance. Type <a href="#">EFI_USB_IO_PROTOCOL</a> is defined in Section 16.2.4.
<i>LangID</i>	The Language ID for the string being retrieved. See the <a href="#">UsbGetSupportedLanguages ()</a> function description for a more detailed description.
<i>StringID</i>	The ID of the string being retrieved.
<i>String</i>	A pointer to a buffer allocated by this function with <a href="#">AllocatePool ()</a> to store the string. If this function returns <a href="#">EFI_SUCCESS</a> , it stores the string the caller wants to get. The caller should release the string buffer with <a href="#">FreePool ()</a> after the string is not used any more.

### Description

This function is used to retrieve strings stored in a USB device. Strings are stored in a Unicode format. The string to retrieve is identified by a language and an identifier. The language is specified by *LangID*, and the identifier is specified by *StringID*. If the string is found, it is returned in *String*, and [EFI\\_SUCCESS](#) is returned. If the string cannot be found, then [EFI\\_NOT\\_FOUND](#) is returned. The string buffer is allocated by this function with [AllocatePool \(\)](#). The caller is responsible for calling [FreePool \(\)](#) for *String* when it is no longer required.

### Status Code Returned

EFI_SUCCESS	The string was retrieved successfully.
EFI_NOT_FOUND	The string specified by <i>LangID</i> and <i>StringID</i> was not found.
EFI_OUT_OF_RESOURCES	There are not enough resources to allocate the return buffer <i>String</i> .

## EFI\_USB\_IO\_PROTOCOL.UsbGetSupportedLanguages()

### Summary

Retrieves all the language ID codes that the USB device supports.

### Prototype

```
typedef
EFI_STATUS
(EFIAPI *EFI_USB_IO_GET_SUPPORTED_LANGUAGES) (
    IN EFI_USB_IO_PROTOCOL  *This,
    OUT UINT16               **LangIDTable,
    OUT UINT16               *TableSize
);
```

### Parameters

<i>This</i>	A pointer to the <b>EFI_USB_IO_PROTOCOL</b> instance. Type <b>EFI_USB_IO_PROTOCOL</b> is defined in Section 16.2.4.
<i>LangIDTable</i>	Language ID for the string the caller wants to get. This is a 16-bit ID defined by Microsoft. This buffer pointer is allocated and maintained by the USB Bus Driver, the caller should not modify its contents.
<i>TableSize</i>	The size, in bytes, of the table <i>LangIDTable</i> .

### Description

Retrieves all the language ID codes that the USB device supports.

### Status Code Returned

EFI_SUCCESS	The support languages were retrieved successfully.
-------------	--



## EFI\_USB\_IO\_PROTOCOL.UsbPortReset()

### Summary

Resets and reconfigures the USB controller. This function will work for all USB devices except USB Hub Controllers.

### Prototype

```
typedef
EFI_STATUS
(EFI_API *EFI_USB_IO_PORT_RESET) (
    IN EFI_USB_IO_PROTOCOL  *This
);
```

### Parameters

*This* A pointer to the [EFI\\_USB\\_IO\\_PROTOCOL](#) instance. Type [EFI\\_USB\\_IO\\_PROTOCOL](#) is defined in Section 16.2.4.

### Description

This function provides a reset mechanism by sending a RESET signal from the parent hub port. A reconfiguration process will happen (that includes setting the address and setting the configuration). This reset function does not change the bus topology. A USB hub controller cannot be reset using this function, because it would impact the downstream USB devices. So if the controller is a USB hub controller, then [EFI\\_INVALID\\_PARAMETER](#) is returned.

### Status Code Returned

EFI_SUCCESS	The USB controller was reset.
EFI_INVALID_PARAMETER	If the controller specified by <i>This</i> is a USB hub.
EFI_DEVICE_ERROR	An error occurred during the reconfiguration process.



## Protocols — Debugger Support

---

This chapter describes a minimal set of protocols and associated data structures necessary to enable the creation of source level debuggers for EFI. It does not fully define a debugger design. Using the services described in this document, it should also be possible to implement a variety of debugger solutions.

### 17.1 Overview

Efficient UEFI driver and application development requires the availability of source level debugging facilities. Although completely on-target debuggers are clearly possible, UEFI debuggers are generally expected to be remotely hosted. That is to say, the debugger itself will be split between two machines, which are the host and target. A majority of debugger code runs on the host that is typically responsible for disassembly, symbol management, source display, and user interface. Similarly, a smaller piece of code runs on the target that establishes the communication to the host and proxies requests from the host. The on-target code is known as the “debug agent.”

The debug agent design is subdivided further into two parts, which are the processor/platform abstraction and the debugger host specific communication grammar. This specification describes architectural interfaces for the former only. Specific implementations for various debugger host communication grammars can be created that make use of the facilities described in this specification.

The processor/platform abstraction is presented as a pair of protocol interfaces, which are the Debug Support protocol and the Debug Port protocol.

The Debug Support protocol abstracts the processor’s debugging facilities, namely a mechanism to manage the processor’s context via caller-installable exception handlers.

The Debug Port protocol abstracts the device that is used for communication between the host and target. Typically this will be a 16550 serial port, 1394 device, or other device that is nominally a serial stream.

Furthermore, a table driven, quiescent, memory-only mechanism for determining the base address of PE32+ images is provided to enable the debugger host to determine where images are located in memory.

Aside from timing differences that occur because of running code associated with the debug agent and user initiated changes to the machine context, the operation of the on-target debugger component must be transparent to the rest of the system. In addition, no portion of the debug agent that runs in interrupt context may make any calls to EFI services or other protocol interfaces.

The services described in this document do not comprise a complete debugger, rather they provide a minimal abstraction required to implement a wide variety of debugger solutions.

## 17.2 EFI Debug Support Protocol

This section defines the EFI Debug Support protocol which is used by the debug agent.

### 17.2.1 EFI Debug Support Protocol Overview

The debug-agent needs to be able to gain control of the machine when certain types of events occur; i.e. breakpoints, processor exceptions, etc. Additionally, the debug agent must also be able to periodically gain control during operation of the machine to check for asynchronous commands from the host. The EFI Debug Support protocol services enable these capabilities.

The EFI Debug Support protocol interfaces produce callback registration mechanisms which are used by the debug agent to register functions that are invoked either periodically or when specific processor exceptions. When they are invoked by the Debug Support driver, these callback functions are passed the current machine context record. The debug agent may modify this context record to change the machine context which is restored to the machine after the callback function returns. The debug agent does not run in the same context as the rest of UEFI and all modifications to the machine context are deferred until after the callback function returns.

It is expected that there will typically be two instances of the EFI Debug Support protocol in the system. One associated with the native processor instruction set (IA-32, x64, or Itanium processor family), and one for the EFI virtual machine that implements EFI byte code (EBC).

While multiple instances of the EFI Debug Support protocol are expected, there must never be more than one for any given instruction set.

## EFI\_DEBUG\_SUPPORT\_PROTOCOL

### Summary

This protocol provides the services to allow the debug agent to register callback functions that are called either periodically or when specific processor exceptions occur.

### GUID

```
#define EFI_DEBUG_SUPPORT_PROTOCOL_GUID \
    {0x2755590C, 0x6F3C, 0x42FA, 0x9E, 0xA4, 0xA3, 0xBA, 0x54, 0x3C, \
     0xDA, 0x25}
```

### Protocol Interface Structure

```
typedef struct {
    EFI_INSTRUCTION_SET_ARCHITECTURE    Isa;
    EFI_GET_MAXIMUM_PROCESSOR_INDEX     GetMaximumProcessorIndex;
    EFI_REGISTER_PERIODIC_CALLBACK      RegisterPeriodicCallback;
    EFI_REGISTER_EXCEPTION_CALLBACK     RegisterExceptionCallback;
    EFI_INVALIDATE_INSTRUCTION_CACHE   InvalidateInstructionCache;
} EFI_DEBUG_SUPPORT_PROTOCOL;
```

### Parameters

*Isa*                                      Declares the processor architecture for this instance of the EFI Debug Support protocol.

*GetMaximumProcessorIndex*                                      Returns the maximum processor index value that may be used with [RegisterPeriodicCallback\(\)](#) and [RegisterExceptionCallback\(\)](#). See the [GetMaximumProcessorIndex\(\)](#) function description.

*RegisterPeriodicCallback*                                      Registers a callback function that will be invoked periodically and asynchronously to the execution of EFI. See the [RegisterPeriodicCallback\(\)](#) function description.

*RegisterExceptionCallback*                                      Registers a callback function that will be called each time the specified processor exception occurs. See the [RegisterExceptionCallback\(\)](#) function description.

## *InvalidateInstructionCache*

Invalidate the instruction cache of the processor. This is required by processor architectures where instruction and data caches are not coherent when instructions in the code under debug has been modified by the debug agent. See the [\*\*InvalidateInstructionCache\(\)\*\*](#) function description.

## Related Definitions

Refer to the Microsoft PE/COFF Specification revision 6.2 or later for `IMAGE_FILE_MACHINE` definitions.

## NOTE

---

*At the time of publication of this specification, the latest revision of the PE/COFF specification was 6.2. The definition of `IMAGE_FILE_MACHINE_EBC` is not included in revision 6.2 of the PE/COFF specification. It will be added in a future revision of the PE/COFF specification.*

---

```
typedef enum {
    IsaIa32 = IMAGE_FILE_MACHINE_I386,    // 0x014C
    IsaX64  = IMAGE_FILE_MACHINE_X64,    // 0x8664
    IsaIpf  = IMAGE_FILE_MACHINE_IA64,    // 0x0200
    IsaEbc  = IMAGE_FILE_MACHINE_EBC     // 0x0EBC
} EFI_INSTRUCTION_SET_ARCHITECTURE
```

## Description

The EFI Debug Support protocol provides the interfaces required to register debug agent callback functions and to manage the processor's instruction stream as required. Registered callback functions are invoked in interrupt context when the specified event occurs.

The driver that produces the EFI Debug Support protocol is also responsible for saving the machine context prior to invoking a registered callback function and restoring it after the callback function returns prior to returning to the code under debug. If the debug agent has modified the context record, the modified context must be used in the restore operation.

Furthermore, if the debug agent modifies any of the code under debug (to set a software breakpoint for example), it must call the [\*\*`InvalidateInstructionCache\(\)`\*\*](#) function for the region of memory that has been modified.

## EFI\_DEBUG\_SUPPORT\_PROTOCOL.GetMaximumProcessorIndex()

### Summary

Returns the maximum value that may be used for the *ProcessorIndex* parameter in [RegisterPeriodicCallback\(\)](#) and [RegisterExceptionCallback\(\)](#).

### Prototype

```
typedef
EFI_STATUS
(EFIAPI *EFI_GET_MAXIMUM_PROCESSOR_INDEX) (
    IN EFI_DEBUG_SUPPORT_PROTOCOL  *This,
    OUT UINTN                      *MaxProcessorIndex
);
```

### Parameters

*This* A pointer to the [EFI\\_DEBUG\\_SUPPORT\\_PROTOCOL](#) instance. Type [EFI\\_DEBUG\\_SUPPORT\\_PROTOCOL](#) is defined in this section.

*MaxProcessorIndex* Pointer to a caller-allocated UINTN in which the maximum supported processor index is returned.

### Description

The [GetMaximumProcessorIndex\(\)](#) function returns the maximum processor index in the output parameter *MaxProcessorIndex*. This value is the largest value that may be used in the *ProcessorIndex* parameter for both [RegisterPeriodicCallback\(\)](#) and [RegisterExceptionCallback\(\)](#). All values between 0 and *MaxProcessorIndex* must be supported by [RegisterPeriodicCallback\(\)](#) and [RegisterExceptionCallback\(\)](#).

It is the responsibility of the caller to insure all parameters are correct. There is no provision for parameter checking by [GetMaximumProcessorIndex\(\)](#). The implementation behavior when an invalid parameter is passed is not defined by this specification.

### Status Codes Returned

EFI_SUCCESS	The function completed successfully.
-------------	--------------------------------------

## EFI\_DEBUG\_SUPPORT\_PROTOCOL.RegisterPeriodicCallback()

### Summary

Registers a function to be called back periodically in interrupt context.

### Prototype

```
typedef
EFI_STATUS
(EFIAPI *EFI_REGISTER_PERIODIC_CALLBACK) (
    IN EFI_DEBUG_SUPPORT_PROTOCOL  *This,
    IN UINTN                        ProcessorIndex,
    IN EFI_PERIODIC_CALLBACK        PeriodicCallback
);
```

### Parameters

*This* A pointer to the EFI\_DEBUG\_SUPPORT\_PROTOCOL instance. Type EFI\_DEBUG\_SUPPORT\_PROTOCOL is defined in Section 17.2.

*ProcessorIndex* Specifies which processor the callback function applies to.

*PeriodicCallback* A pointer to a function of type PERIODIC\_CALLBACK that is the main periodic entry point of the debug agent. It receives as a parameter a pointer to the full context of the interrupted execution thread.

### Related Definitions

```
typedef
VOID (*EFI_PERIODIC_CALLBACK) (
    IN OUT EFI_SYSTEM_CONTEXT  SystemContext
);

typedef union {
    EFI_SYSTEM_CONTEXT_EBC      *SystemContextEbc,
    EFI_SYSTEM_CONTEXT_IA32    *SystemContextIa32,
    EFI_SYSTEM_CONTEXT_X64     *SystemContextX64;
    EFI_SYSTEM_CONTEXT_IPF     *SystemContextIpf
} EFI_SYSTEM_CONTEXT;

// System context for virtual EBC processors
typedef struct {
    UINT64      R0, R1, R2, R3, R4, R5, R6, R7;
    UINT64      Flags;
    UINT64      ControlFlags;
    UINT64      Ip;
} EFI_SYSTEM_CONTEXT_EBC;
```



## NOTE

---

*When the context record field is larger than the register being stored in it, the upper bits of the context record field are unused and ignored*

---

```
// System context for IA-32 processors
typedef struct {
    UINT32      ExceptionData;    // ExceptionData is
                                // additional data pushed
                                // on the stack by some
                                // types of IA-32
                                // exceptions

    EFI_FX_SAVE_STATE_IA32      FxSaveState;
    UINT32                      Dr0, Dr1, Dr2, Dr3, Dr6, Dr7;
    UINT32                      Cr0, Cr1 /* Reserved */, Cr2,
                                Cr3, Cr4;

    UINT32                      Eflags;
    UINT32                      Ldtr, Tr;
    UINT32                      Gdtr[2], Idtr[2];
    UINT32                      Eip;
    UINT32                      Gs, Fs, Es, Ds, Cs, Ss;
    UINT32                      Edi, Esi, Ebp, Esp, Ebx, Edx,
                                Ecx, Eax;
} EFI_SYSTEM_CONTEXT_IA32;

// FXSAVE_STATE - FP / MMX / XMM registers
typedef struct {
    UINT16                      Fcw;
    UINT16                      Fsw;
    UINT16                      Ftw;
    UINT16                      Opcode;
    UINT32                      Eip;
    UINT16                      Cs;
    UINT16                      Reserved1;
    UINT32                      DataOffset;
    UINT16                      Ds;
    UINT8                       Reserved2[10];
    UINT8                       St0Mm0[10], Reserved3[6];
    UINT8                       St1Mm1[10], Reserved4[6];
    UINT8                       St2Mm2[10], Reserved5[6];
    UINT8                       St3Mm3[10], Reserved6[6];
    UINT8                       St4Mm4[10], Reserved7[6];
    UINT8                       St5Mm5[10], Reserved8[6];
    UINT8                       St6Mm6[10], Reserved9[6];
    UINT8                       St7Mm7[10], Reserved10[6];
    UINT8                       Xmm0[16];
}
```

```

    UINT8                Xmm1[16];
    UINT8                Xmm2[16];
    UINT8                Xmm3[16];
    UINT8                Xmm4[16];
    UINT8                Xmm5[16];
    UINT8                Xmm6[16];
    UINT8                Xmm7[16];
    UINT8                Reserved11[14 * 16];
} EFI_FX_SAVE_STATE_IA32

// System context for x64 processors
typedef struct {
    UINT64                ExceptionData; // ExceptionData is
                                        // additional data
    pushed
                                        // on the stack by some
                                        // types of x64 64-bit
                                        // mode exceptions
    EFI_FX_SAVE_STATE_X64 FxSaveState;
    UINT64                Dr0, Dr1, Dr2, Dr3, Dr6, Dr7;
    UINT64                Cr0, Cr1 /* Reserved */, Cr2, Cr3,
                        Cr4, Cr8;
    UINT64                Rflags;
    UINT64                Ldtr, Tr;
    UINT64                Gdtr[2], Idtr[2];
    UINT64                Rip;
    UINT64                Gs, Fs, Es, Ds, Cs, Ss;
    UINT64                Rdi, Rsi, Rbp, Rsp, Rbx, Rdx, Rcx,
                        Rax;
    UINT64                R8, R9, R10, R11, R12, R13, R14, R15;
} EFI_SYSTEM_CONTEXT_X64;

// FXSAVE_STATE - FP / MMX / XMM registers
typedef struct {
    UINT16                Fcw;
    UINT16                Fsw;
    UINT16                Ftw;
    UINT16                Opcode;
    UINT64                Rip;
    UINT64                DataOffset;
    UINT8                Reserved1[8];
    UINT8                St0Mm0[10], Reserved2[6];
    UINT8                St1Mm1[10], Reserved3[6];
    UINT8                St2Mm2[10], Reserved4[6];
    UINT8                St3Mm3[10], Reserved5[6];
    UINT8                St4Mm4[10], Reserved6[6];
    UINT8                St5Mm5[10], Reserved7[6];
    UINT8                St6Mm6[10], Reserved8[6];
}

```

```

UINT8      St7Mm7[10], Reserved9[6];
UINT8      Xmm0[16];
UINT8      Xmm1[16];
UINT8      Xmm2[16];
UINT8      Xmm3[16];
UINT8      Xmm4[16];
UINT8      Xmm5[16];
UINT8      Xmm6[16];
UINT8      Xmm7[16];
UINT8      Reserved11[14 * 16];
} EFI_FX_SAVE_STATE_X64;

```

```

// System context for Itanium processor family
typedef struct {
    UINT64    Reserved;

    UINT64    R1, R2, R3, R4, R5, R6, R7, R8, R9, R10,
    R11, R12, R13, R14, R15, R16, R17, R18, R19, R20,
    R21, R22, R23, R24, R25, R26, R27, R28, R29, R30,
    R31;

    UINT64    F2[2], F3[2], F4[2], F5[2], F6[2],
    F7[2], F8[2], F9[2], F10[2], F11[2],
    F12[2], F13[2], F14[2], F15[2], F16[2],
    F17[2], F18[2], F19[2], F20[2], F21[2],
    F22[2], F23[2], F24[2], F25[2], F26[2],
    F27[2], F28[2], F29[2], F30[2], F31[2];

    UINT64    Pr;

    UINT64    B0, B1, B2, B3, B4, B5, B6, B7;

    // application registers
    UINT64    ArRsc, ArBsp, ArBspstore, ArRnat;
    UINT64    ArFcr;
    UINT64    ArEflag, ArCsd, ArSsd, ArCflg;
    UINT64    ArFsr, ArFir, ArFdr;
    UINT64    ArCcv;
    UINT64    ArUnat;
    UINT64    ArFpsr;
    UINT64    ArPfs, ArLc, ArEc;

    // control registers
    UINT64    CrDcr, CrItm, CrIva, CrPta, CrIpsr, CrIsr;
    UINT64    CrIip, CrIfa, CrItir, CrIipa, CrIfs, CrIim;

```

```

UINT64   CrIha;

// debug registers
UINT64   Dbr0, Dbr1, Dbr2, Dbr3, Dbr4, Dbr5, Dbr6, Dbr7;
UINT64   Ibr0, Ibr1, Ibr2, Ibr3, Ibr4, Ibr5, Ibr6, Ibr7;

// virtual registers
UINT64   IntNat;    // nat bits for R1-R31

} EFI_SYSTEM_CONTEXT_IPF;

```

## Description

The **RegisterPeriodicCallback()** function registers and enables the on-target debug agent's periodic entry point. To unregister and disable calling the debug agent's periodic entry point, call **RegisterPeriodicCallback()** passing a **NULL** *PeriodicCallback* parameter.

The implementation must handle saving and restoring the processor context to/from the system context record around calls to the registered callback function.

If the interrupt is also used by the firmware for the EFI time base or some other use, two rules must be observed. First, the registered callback function must be called before any EFI processing takes place. Second, the Debug Support implementation must perform the necessary steps to pass control to the firmware's corresponding interrupt handler in a transparent manner.

There is no quality of service requirement or specification regarding the frequency of calls to the registered *PeriodicCallback* function. This allows the implementation to mitigate a potential adverse impact to EFI timer based services due to the latency induced by the context save/restore and the associated callback function.

It is the responsibility of the caller to insure all parameters are correct. There is no provision for parameter checking by **RegisterPeriodicCallback()**. The implementation behavior when an invalid parameter is passed is not defined by this specification.

## Status Codes Returned

EFI_SUCCESS	The function completed successfully.
EFI_ALREADY_STARTED	Non- <b>NULL</b> <i>PeriodicCallback</i> parameter when a callback function was previously registered.
EFI_OUT_OF_RESOURCES	System has insufficient memory resources to register new callback function.

## EFI\_DEBUG\_SUPPORT\_PROTOCOL.RegisterExceptionCallback()

### Summary

Registers a function to be called when a given processor exception occurs.

### Prototype

```
typedef
EFI_STATUS
(EFIAPI *REGISTER_EXCEPTION_CALLBACK) (
    IN EFI_DEBUG_SUPPORT_PROTOCOL  *This,
    IN UINTN                       ProcessorIndex,
    IN EFI_EXCEPTION_CALLBACK      ExceptionCallback,
    IN EFI_EXCEPTION_TYPE          ExceptionType
);
```

### Parameters

This	A pointer to the <b>EFI_DEBUG_SUPPORT_PROTOCOL</b> instance. Type <b>EFI_DEBUG_SUPPORT_PROTOCOL</b> is defined in Section 17.2.
ProcessorIndex	Specifies which processor the callback function applies to.
ExceptionCallback	A pointer to a function of type <b>EXCEPTION_CALLBACK</b> that is called when the processor exception specified by <i>ExceptionType</i> occurs. Passing <b>NULL</b> unregisters any previously registered function associated with <i>ExceptionType</i> .
ExceptionType	Specifies which processor exception to hook.

## Related Definitions

```
typedef
VOID (*EFI_EXCEPTION_CALLBACK) (
    IN EFI_EXCEPTION_TYPE           ExceptionType,
    IN OUT EFI_SYSTEM_CONTEXT      SystemContext
);

typedef INTN EFI_EXCEPTION_TYPE;

// EBC Exception types
#define EXCEPT_EBC_UNDEFINED           0
#define EXCEPT_EBC_DIVIDE_ERROR       1
#define EXCEPT_EBC_DEBUG               2
#define EXCEPT_EBC_BREAKPOINT         3
#define EXCEPT_EBC_OVERFLOW           4
#define EXCEPT_EBC_INVALID_OPCODE     5
#define EXCEPT_EBC_STACK_FAULT        6
#define EXCEPT_EBC_ALIGNMENT_CHECK    7
#define EXCEPT_EBC_INSTRUCTION_ENCODING 8
#define EXCEPT_EBC_BAD_BREAK          9
#define EXCEPT_EBC_SINGLE_STEP       10

// IA-32 Exception types
#define EXCEPT_IA32_DIVIDE_ERROR       0
#define EXCEPT_IA32_DEBUG              1
#define EXCEPT_IA32_NMI                2
#define EXCEPT_IA32_BREAKPOINT         3
#define EXCEPT_IA32_OVERFLOW           4
#define EXCEPT_IA32_BOUND              5
#define EXCEPT_IA32_INVALID_OPCODE     6
#define EXCEPT_IA32_DOUBLE_FAULT       8
#define EXCEPT_IA32_INVALID_TSS        10
#define EXCEPT_IA32_SEG_NOT_PRESENT    11
#define EXCEPT_IA32_STACK_FAULT        12
#define EXCEPT_IA32_GP_FAULT           13
#define EXCEPT_IA32_PAGE_FAULT         14
#define EXCEPT_IA32_FP_ERROR           16
#define EXCEPT_IA32_ALIGNMENT_CHECK    17
#define EXCEPT_IA32_MACHINE_CHECK     18
#define EXCEPT_IA32_SIMD               19

//
// X64 Exception types
//
#define EXCEPT_X64_DIVIDE_ERROR        0
#define EXCEPT_X64_DEBUG                1
```

```

#define EXCEPT_X64_NMI 2
#define EXCEPT_X64_BREAKPOINT 3
#define EXCEPT_X64_OVERFLOW 4
#define EXCEPT_X64_BOUND 5
#define EXCEPT_X64_INVALID_OPCODE 6
#define EXCEPT_X64_DOUBLE_FAULT 8
#define EXCEPT_X64_INVALID_TSS 10
#define EXCEPT_X64_SEG_NOT_PRESENT 11
#define EXCEPT_X64_STACK_FAULT 12
#define EXCEPT_X64_GP_FAULT 13
#define EXCEPT_X64_PAGE_FAULT 14
#define EXCEPT_X64_FP_ERROR 16
#define EXCEPT_X64_ALIGNMENT_CHECK 17
#define EXCEPT_X64_MACHINE_CHECK 18
#define EXCEPT_X64_SIMD 19

// Itanium Processor Family Exception types
#define EXCEPT_IPF_VHTP_TRANSLATION 0
#define EXCEPT_IPF_INSTRUCTION_TLB 1
#define EXCEPT_IPF_DATA_TLB 2
#define EXCEPT_IPF_ALT_INSTRUCTION_TLB 3
#define EXCEPT_IPF_ALT_DATA_TLB 4
#define EXCEPT_IPF_DATA_NESTED_TLB 5
#define EXCEPT_IPF_INSTRUCTION_KEY_MISSED 6
#define EXCEPT_IPF_DATA_KEY_MISSED 7
#define EXCEPT_IPF_DIRTY_BIT 8
#define EXCEPT_IPF_INSTRUCTION_ACCESS_BIT 9
#define EXCEPT_IPF_DATA_ACCESS_BIT 10
#define EXCEPT_IPF_BREAKPOINT 11
#define EXCEPT_IPF_EXTERNAL_INTERRUPT 12
// 13 - 19 reserved
#define EXCEPT_IPF_PAGE_NOT_PRESENT 20
#define EXCEPT_IPF_KEY_PERMISSION 21
#define EXCEPT_IPF_INSTRUCTION_ACCESS_RIGHTS 22
#define EXCEPT_IPF_DATA_ACCESS_RIGHTS 23
#define EXCEPT_IPF_GENERAL_EXCEPTION 24
#define EXCEPT_IPF_DISABLED_FP_REGISTER 25
#define EXCEPT_IPF_NAT_CONSUMPTION 26
#define EXCEPT_IPF_SPECULATION 27
// 28 reserved
#define EXCEPT_IPF_DEBUG 29
#define EXCEPT_IPF_UNALIGNED_REFERENCE 30
#define EXCEPT_IPF_UNSUPPORTED_DATA_REFERENCE 31
#define EXCEPT_IPF_FP_FAULT 32
#define EXCEPT_IPF_FP_TRAP 33
#define EXCEPT_IPF_LOWER_PRIVILEGE_TRANSFER_TRAP 34

```

```

#define    EXCEPT_IPF_TAKEN_BRANCH           35
#define    EXCEPT_IPF_SINGLE_STEP          36
// 37 - 44 reserved
#define    EXCEPT_IPF_IA32_EXCEPTION       45
#define    EXCEPT_IPF_IA32_INTERCEPT     46
#define    EXCEPT_IPF_IA32_INTERRUPT      47

```

## Description

The **RegisterExceptionCallback()** function registers and enables an exception callback function for the specified exception. The specified exception must be valid for the instruction set architecture. To unregister the callback function and stop servicing the exception, call **RegisterExceptionCallback()** passing a **NULL** *ExceptionCallback* parameter.

The implementation must handle saving and restoring the processor context to/from the system context record around calls to the registered callback function. No chaining of exception handlers is allowed.

It is the responsibility of the caller to insure all parameters are correct. There is no provision for parameter checking by **RegisterExceptionCallback()**. The implementation behavior when an invalid parameter is passed is not defined by this specification.

## Status Codes Returned

EFI_SUCCESS	The function completed successfully.
EFI_ALREADY_STARTED	Non- <b>NULL</b> <i>ExceptionCallback</i> parameter when a callback function was previously registered.
EFI_OUT_OF_RESOURCES	System has insufficient memory resources to register new callback function.



## EFI\_DEBUG\_SUPPORT\_PROTOCOL.InvalidateInstructionCache()

### Summary

Invalidates processor instruction cache for a memory range. Subsequent execution in this range causes a fresh memory fetch to retrieve code to be executed.

### Prototype

```
typedef
EFI_STATUS
(EFI_API *EFI_INVALIDATE_INSTRUCTION_CACHE) (
    IN EFI_DEBUG_SUPPORT_PROTOCOL  *This,
    IN UINTN                       ProcessorIndex,
    IN VOID                         *Start,
    IN UINT64                       Length
);
```

### Parameters

<i>This</i>	A pointer to the <b>EFI_DEBUG_SUPPORT_PROTOCOL</b> instance. Type <b>EFI_DEBUG_SUPPORT_PROTOCOL</b> is defined in Section 17.2.
<i>ProcessorIndex</i>	Specifies which processor's instruction cache is to be invalidated.
<i>Start</i>	Specifies the physical base of the memory range to be invalidated.
<i>Length</i>	Specifies the minimum number of bytes in the processor's instruction cache to invalidate.

### Description

Typical operation of a debugger may require modifying the code image that is under debug. This can occur for many reasons, but is typically done to insert/remove software break instructions. Some processor architectures do not have coherent instruction and data caches so modifications to the code image require that the instruction cache be explicitly invalidated in that memory region.

The **InvalidateInstructionCache()** function abstracts this operation from the debug agent and provides a general purpose capability to invalidate the processor's instruction cache.

It is the responsibility of the caller to insure all parameters are correct. There is no provision for parameter checking by **RegisterExceptionCallback()**. The implementation behavior when an invalid parameter is passed is not defined by this specification.

### Status Codes Returned

EFI_SUCCESS	The function completed successfully.
-------------	--------------------------------------

## 17.3 EFI Debugport Protocol

This section defines the EFI Debugport protocol. This protocol is used by debug agent to communicate with the remote debug host.

### EFI Debugport Overview

Historically, remote debugging has typically been done using a standard UART serial port to connect the host and target. This is obviously not possible in a legacy reduced system that does not have a UART. The Debugport protocol solves this problem by providing an abstraction that can support many different types of debugport hardware. The debug agent should use this abstraction to communicate with the host.

The interface is minimal with only reset, read, write, and poll abstractions. Since these functions are called in interrupt context, none of them may call any EFI services or other protocol interfaces.

Debugport selection and configuration is handled by setting defaults via an environment variable which contains a full device path to the debug port. This environment variable is used during the debugport driver's initialization to configure the debugport correctly. The variable contains a full device path to the debugport, with the last node (prior to the terminal node) being a debugport messaging node. See Section 17.3.1 for details.

The driver must also produce an instance of the EFI Device Path protocol to indicate what hardware is being used for the debugport. This may be used by the OS to maintain the debugport across a call to [ExitBootServices \(\)](#).

## EFI\_DEBUGPORT\_PROTOCOL

### Summary

This protocol provides the communication link between the debug agent and the remote host.

### GUID

```
#define EFI_DEBUGPORT_PROTOCOL_GUID \
    {0xEBA4E8D2, 0x3858, 0x41EC, 0xA2, 0x81, 0x26, 0x47, 0xBA, 0x96, \
     0x60, 0xD0}
```

### Protocol Interface Structure

```
typedef struct {
    EFI_DEBUGPORT_RESET           Reset;
    EFI_DEBUGPORT_WRITE           Write;
    EFI_DEBUGPORT_READ            Read;
    EFI_DEBUGPORT_POLL            Poll;
} EFI_DEBUGPORT_PROTOCOL;
```

### Parameters

<i>Reset</i>	Resets the debugport hardware.
<i>Write</i>	Send a buffer of characters to the debugport device.
<i>Read</i>	Receive a buffer of characters from the debugport device.
<i>Poll</i>	Determine if there is any data available to be read from the debugport device.

### Description

The Debugport protocol is used for byte stream communication with a debugport device. The debugport can be a standard UART Serial port, a USB-based character device, or potentially any character-based I/O device.

The attributes for all UART-style debugport device interfaces are defined in the DEBUGPORT variable (see Section 17.3.1).

## EFI\_DEBUGPORT\_PROTOCOL.Reset()

### Summary

Resets the debugport.

### Prototype

```
typedef
EFI_STATUS
(EFIAPI *EFI_DEBUGPORT_RESET) (
    IN EFI_DEBUGPORT_PROTOCOL      *This
);
```

### Parameters

*This* A pointer to the EFI\_DEBUGPORT\_PROTOCOL instance. Type EFI\_DEBUGPORT\_PROTOCOL is defined in Section 17.3.

### Description

The **Reset ()** function resets the debugport device.

It is the responsibility of the caller to insure all parameters are valid. There is no provision for parameter checking by **Reset ()**. The implementation behavior when an invalid parameter is passed is not defined by this specification.

### Status Codes Returned

EFI_SUCCESS	The debugport device was reset and is in usable state.
EFI_DEVICE_ERROR	The debugport device could not be reset and is unusable.

## EFI\_DEBUGPORT\_PROTOCOL.Write()

### Summary

Writes data to the debugport.

### Prototype

```
typedef
EFI_STATUS
(EFIAPI *EFI_DEBUGPORT_WRITE) (
    IN EFI_DEBUGPORT_PROTOCOL      *This,
    IN UINT32                       Timeout,
    IN OUT UINTN                    *BufferSize,
    IN VOID                          *Buffer
);
```

### Parameters

<i>This</i>	A pointer to the <b>EFI_DEBUGPORT_PROTOCOL</b> instance. Type <b>EFI_DEBUGPORT_PROTOCOL</b> is defined in Section 17.3.
<i>Timeout</i>	The number of microseconds to wait before timing out a write operation.
<i>BufferSize</i>	On input, the requested number of bytes of data to write. On output, the number of bytes of data actually written.
<i>Buffer</i>	A pointer to a buffer containing the data to write.

### Description

The **Write()** function writes the specified number of bytes to a debugport device. If a timeout error occurs while data is being sent to the debugport, transmission of this buffer will terminate, and **EFI\_TIMEOUT** will be returned. In all cases the number of bytes actually written to the debugport device is returned in *BufferSize*.

It is the responsibility of the caller to insure all parameters are valid. There is no provision for parameter checking by **Write()**. The implementation behavior when an invalid parameter is passed is not defined by this specification.

### Status Codes Returned

EFI_SUCCESS	The data was written.
EFI_DEVICE_ERROR	The device reported an error.
EFI_TIMEOUT	The data write was stopped due to a timeout.

## EFI\_DEBUGPORT\_PROTOCOL.Read()

### Summary

Reads data from the debugport.

### Prototype

```
typedef
EFI_STATUS
(EFIAPI *EFI_DEBUGPORT_READ) (
    IN EFI_DEBUGPORT_PROTOCOL      *This,
    IN UINT32                       Timeout,
    IN OUT UINTN                    *BufferSize,
    OUT VOID                        *Buffer
);
```

### Parameters

<i>This</i>	A pointer to the <b>EFI_DEBUGPORT_PROTOCOL</b> instance. Type <b>EFI_DEBUGPORT_PROTOCOL</b> is defined in Section 17.3.
<i>Timeout</i>	The number of microseconds to wait before timing out a read operation.
<i>BufferSize</i>	A pointer to an integer which, on input contains the requested number of bytes of data to read, and on output contains the actual number of bytes of data read and returned in <i>Buffer</i> .
<i>Buffer</i>	A pointer to a buffer into which the data read will be saved.

### Description

The **Read()** function reads a specified number of bytes from a debugport. If a timeout error or an overrun error is detected while data is being read from the debugport, then no more characters will be read, and **EFI\_TIMEOUT** will be returned. In all cases the number of bytes actually read is returned in *\*BufferSize*.

It is the responsibility of the caller to insure all parameters are valid. There is no provision for parameter checking by **Read()**. The implementation behavior when an invalid parameter is passed is not defined by this specification.

### Status Codes Returned

EFI_SUCCESS	The data was read.
EFI_DEVICE_ERROR	The debugport device reported an error.
EFI_TIMEOUT	The operation was stopped due to a timeout or overrun.

## EFI\_DEBUGPORT\_PROTOCOL.Poll()

### Summary

Checks to see if any data is available to be read from the debugport device.

### Prototype

```
typedef
EFI_STATUS
(EFIAPI *EFI_DEBUGPORT_POLL) (
    IN EFI_DEBUGPORT_PROTOCOL          *This
);
```

### Parameters

*This* A pointer to the EFI\_DEBUGPORT\_PROTOCOL instance. Type EFI\_DEBUGPORT\_PROTOCOL is defined in Section 17.3.

### Description

The **Poll()** function checks if there is any data available to be read from the debugport device and returns the result. No data is actually removed from the input stream. This function enables simpler debugger design since buffering of reads is not necessary by the caller.

### Status Codes Returned

EFI_SUCCESS	At least one byte of data is available to be read.
EFI_NOT_READY	No data is available to be read.
EFI_DEVICE_ERROR	The debugport device is not functioning correctly.

### 17.3.1 Debugport Device Path

The debugport driver must establish and maintain an instance of the EFI Device Path protocol for the debugport. A graceful handoff of debugport ownership between the EFI Debugport driver and an OS debugport driver requires that the OS debugport driver can determine the type, location, and configuration of the debugport device.

The Debugport Device Path is a vendor-defined messaging device path with no data, only a GUID. It is used at the end of a conventional device path to tag the device for use as the debugport. For example, a typical UART debugport would have the following fully qualified device path:

```
ACPI(PciRootBridge)/Pci(0x1f,0)/ACPI(PNP0501,0)/UART(115200,n,8,1)/DebugPort()
```

The Vendor\_GUID that defines the debugport device path is the same as the debugport protocol GUID, as defined below.

```
#define DEVICE_PATH_MESSAGING_DEBUGPORT    \
      EFI_DEBUGPORT_PROTOCOL_GUID
```

Table 109 shows all fields of the debugport device path.

**Table 109. Debugport Messaging Device Path**

Mnemonic	Byte Offset	Byte Length	Description
Type	0	1	Type 3 – Messaging Device Path.
Sub Type	1	1	Sub Type 10 – Vendor.
Length	2	2	Length of this structure in bytes. Length is 20 bytes.
Vendor_GUID	4	16	<b>DEVICE_PATH_MESSAGING_DEBUGPORT.</b>



## EFI Debugport Variable

Even though there may be more than one hardware device that could function as a debugport in a system, only one debugport may be active at a time. The DEBUGPORT variable is used to declare which hardware device will act as the debugport, and what communication parameters it should assume.

Like all EFI variables, the DEBUGPORT variable has both a name and a GUID. The name is "DEBUGPORT." The GUID is the same as the **EFI\_DEBUGPORT\_PROTOCOL\_GUID**:

```
#define EFI_DEBUGPORT_VARIABLE_NAME L"DEBUGPORT"  
#define EFI_DEBUGPORT_VARIABLE_GUID EFI_DEBUGPORT_PROTOCOL_GUID
```

The data contained by the DEBUGPORT variable is a fully qualified debugport device path (see Section 17.3.1).

The desired communication parameters for the debugport are declared in the DEBUGPORT variable. The debugport driver must read this variable during initialization to determine how to configure the debug port.

To reduce the required complexity of the debugport driver, the debugport driver is not required to support all possible combinations of communication parameters. What combinations of parameters are possible is implementation specific.

Additionally debugport drivers implemented for PNP0501 devices, that is debugport devices with a PNP0501 ACPI node in the device path, must support the following defaults. These defaults must be used in the absence of a DEBUGPORT variable, or when the communication parameters specified in the DEBUGPORT variable are not supported by the driver.

- Baud : 115200
- 8 data bits
- No parity
- 1 stop bit
- No flow control (See Appendix A for flow control details)

In the absence of the DEBUGPORT variable, the selection of which port to use as the debug port is implementation specific.

Future revisions of this specification may define new defaults for other debugport types.

The debugport device path must be constructed to reflect the actual settings for the debugport. Any code needing to know the state of the debug port must reference the device path rather than the DEBUGPORT variable, since the debugport may have assumed a default setting in spite of the existence of the DEBUGPORT variable.

If it is not possible to configure the debug port using either the settings declared in the DEBUGPORT variable or the default settings for the particular debugport type, the driver initialization must not install any protocol interfaces and must exit with an error.

## 17.4 EFI Debug Support Table

This chapter defines the EFI Debug Support Table which is used by the debug agent or an external debugger to determine loaded image information in a quiescent manner.

### Overview

Every executable image loaded in EFI is represented by an EFI handle populated with an instance of the **LOADED\_IMAGE** protocol. This handle is known as an “image handle.” The associated Loaded Image protocol provides image information that is of interest to a source level debugger. Normal EFI executables can access this information by using EFI services to locate all instances of the Loaded Image protocol.

A debugger has two problems with this scenario. First, if it is an external hardware debugger, the location of the EFI system table is not known. Second, even if the location of the EFI system table is known, the services contained therein are generally unavailable to a debugger either because it is an on-target debugger that is running in interrupt context, or in the case of an external hardware debugger there is no debugger code running on the target at all.

Since a source level debugger must be capable of determining image information for all loaded images, an alternate mechanism that does not use EFI services must be provided. Two features are added to the EFI system software to enable this capability.

First, an alternate mechanism of locating the EFI system table is required. A check-summed structure containing the physical address of the EFI system table is created and located on a 4M aligned memory address. A hardware debugger can search memory for this structure to determine the location of the EFI system table.

Second, an **EFI\_CONFIGURATION\_TABLE** is published that leads to a database of pointers to all instances of the Loaded Image protocol. Several layers of indirection are used to allow dynamically managing the data as images are loaded and unloaded. Once the address of the EFI system table is known, it is possible to discover a complete and accurate list of EFI images. (Note that the EFI core itself must be represented by an instance of the Loaded Image protocol.)

Figure 46 illustrates the table indirection and pointer usage.

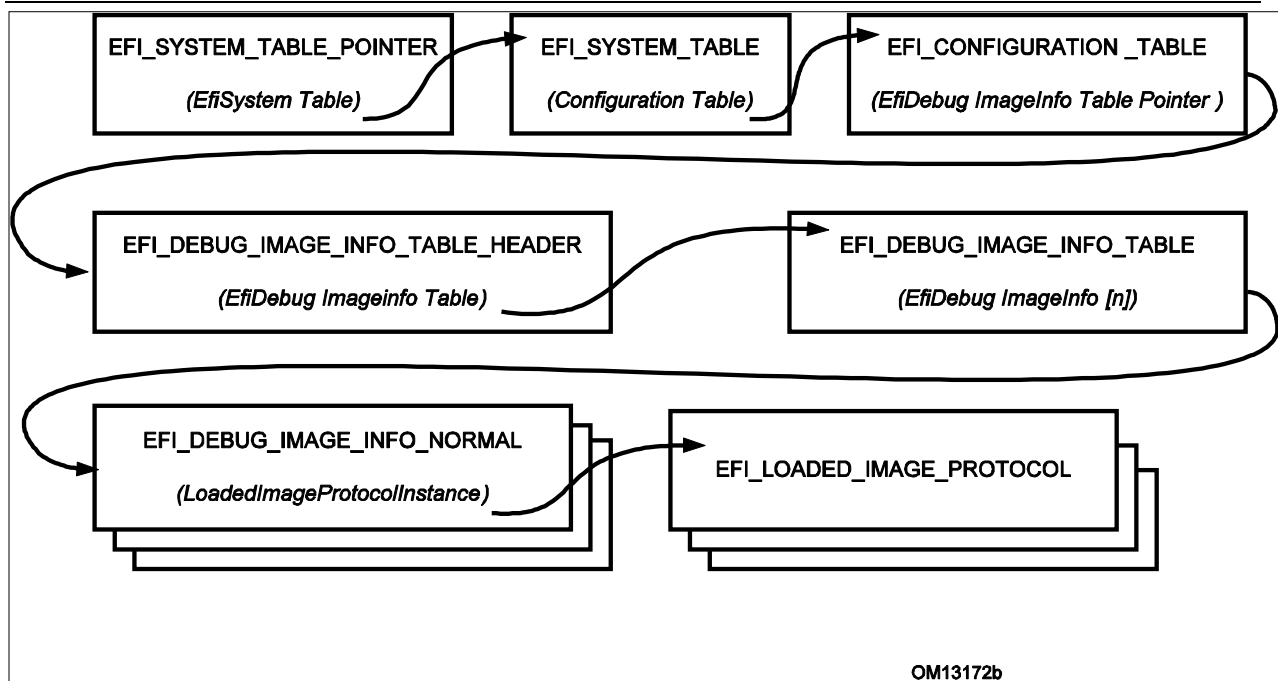


Figure 46. Debug Support Table Indirection and Pointer Usage

## EFI System Table Location

The EFI system table can be located by an off-target hardware debugger by searching for the **EFI\_SYSTEM\_TABLE\_POINTER** structure. The **EFI\_SYSTEM\_TABLE\_POINTER** structure is located on a 4M boundary as close to the top of physical memory as feasible. It may be found searching for the **EFI\_SYSTEM\_TABLE\_SIGNATURE** on each 4M boundary starting at the top of memory and scanning down. When the signature is found, the entire structure must be verified using the *Crc32* field. The 32-bit CRC of the entire structure is calculated assuming the *Crc32* field is zero. This value is then written to the *Crc32* field.

```

typedef struct _EFI_SYSTEM_TABLE_POINTER {
    UINT64          Signature;
    EFI_PHYSICAL_ADDRESS EfiSystemTableBase;
    UINT32          Crc32;
} EFI_SYSTEM_TABLE_POINTER;
  
```

*Signature*                    A constant **UINT64** that has the value **EFI\_SYSTEM\_TABLE\_SIGNATURE** (see the EFI 1.0 specification).

*EfiSystemTableBase*

The physical address of the EFI system table.

*Crc32*

A 32-bit CRC value that is used to verify the **EFI\_SYSTEM\_TABLE\_POINTER** structure is valid.

## EFI Image Info

The **EFI\_DEBUG\_IMAGE\_INFO\_TABLE** is an array of pointers to **EFI\_DEBUG\_IMAGE\_INFO** unions. Each member of an **EFI\_DEBUG\_IMAGE\_INFO** union is a pointer to a data structure representing a particular image type. For each image that has been loaded, there is an appropriate image data structure with a pointer to it stored in the **EFI\_DEBUG\_IMAGE\_INFO\_TABLE**. Data structures for normal images and SMM images are defined. All other image types are reserved for future use.

The process of locating the **EFI\_DEBUG\_IMAGE\_INFO\_TABLE** begins with an EFI configuration table.

```
//
// EFI_DEBUG_IMAGE_INFO_TABLE configuration table
//     GUID declaration - {49152E77-1ADA-4764-B7A2-7AFEFED95E8B}
//
#define EFI_DEBUG_IMAGE_INFO_TABLE_GUID \
{ 0x49152E77, 0x1ADA, 0x4764, 0xB7, 0xA2, 0x7A, 0xFE, 0xFE, 0xD9, 0x5E, 0x8B }
```

The configuration table leads to an **EFI\_DEBUG\_IMAGE\_INFO\_TABLE\_HEADER** structure that contains a pointer to the **EFI\_DEBUG\_IMAGE\_INFO\_TABLE** and some status bits that are used to control access to the **EFI\_DEBUG\_IMAGE\_INFO\_TABLE** when it is being updated.

```
//
// UpdateStatus bits
//
#define EFI_DEBUG_IMAGE_INFO_UPDATE_IN_PROGRESS  0x01
#define EFI_DEBUG_IMAGE_INFO_TABLE_MODIFIED      0x02

typedef struct {
    volatile UINT32      UpdateStatus;
    UINT32               TableSize;
    EFI_DEBUG_IMAGE_INFO *EfiDebugImageInfoTable;
} EFI_DEBUG_IMAGE_INFO_TABLE_HEADER;
```

*UpdateStatus*

*UpdateStatus* is used by the system to indicate the state of the debug image info table.

The **EFI\_DEBUG\_IMAGE\_INFO\_UPDATE\_IN\_PROGRESS** bit must be set when the table is being modified. Software

consuming the table must qualify the access to the table with this bit.

The **EFI\_DEBUG\_IMAGE\_INFO\_TABLE\_MODIFIED** bit is always set by software that modifies the table. It may be cleared by software that consumes the table once the entire table has been read. It is essentially a sticky version of the **EFI\_DEBUG\_IMAGE\_INFO\_UPDATE\_IN\_PROGRESS** bit and is intended to provide an efficient mechanism to minimize the number of times the table must be scanned by the consumer.

*TableSize*

The number of **EFI\_DEBUG\_IMAGE\_INFO** elements in the array pointed to by *EfiDebugImageInfoTable*.

*EfiDebugImageInfoTable*

A pointer to the first element of an array of **EFI\_DEBUG\_IMAGE\_INFO** structures.

```
#define EFI_DEBUG_IMAGE_INFO_TYPE_NORMAL 0x01
```

```
typedef union {  
    UINT32 *ImageInfoType;  
    EFI_DEBUG_IMAGE_INFO_NORMAL *NormalImage;  
} EFI_DEBUG_IMAGE_INFO;
```

```
typedef struct {  
    UINT32 ImageInfoType;  
    EFI_LOADED_IMAGE_PROTOCOL *LoadedImageProtocolInstance;  
    EFI_HANDLE ImageHandle;  
} EFI_DEBUG_IMAGE_INFO_NORMAL;
```

*ImageInfoType*

Indicates the type of image info structure. For PE32 EFI images, this is set to **EFI\_DEBUG\_IMAGE\_INFO\_TYPE\_NORMAL**.

*LoadedImageProtocolInstance*

A pointer to an instance of the loaded image protocol for the associated image.

*ImageHandle*

Indicates the image handle of the associated image.



# Protocols — Compression Algorithm Specification

---

In EFI firmware storage, binary codes/data are often compressed to save storage space. These compressed codes/data are extracted into memory for execution at boot time. This demands an efficient lossless compression/decompression algorithm. The compressor must produce small compressed images, and the decompressor must operate fast enough to avoid delays at boot time.

This chapter describes in detail the UEFI compression/decompression algorithm, as well as the EFI Decompress Protocol. The EFI Decompress Protocol provides a standard decompression interface for use at boot time.

## 18.1 Algorithm Overview

In this chapter the term “**character**” denotes a single byte and the term “**string**” denotes a series of concatenated characters.

The compression/decompression algorithm used in EFI firmware storage is a combination of the LZ77 algorithm and Huffman Coding. The LZ77 algorithm replaces a repeated string with a pointer to the previous occurrence of the string. Huffman Coding encodes symbols in a way that the more frequently a symbol appears in a text, the shorter the code that is assigned to it.

The compression process contains two steps:

- The first step is to find repeated strings (using LZ77 algorithm) and produce intermediate data. Beginning with the first character, the compressor scans the source data and determines if the characters starting at the current position can form a string previously appearing in the text. If a long enough matching string is found, the compressor will output a pointer to the string. If the pointer occupies more space than the string itself, the compressor will output the original character at the current position in the source data. Then the compressor advances to the next position and repeats the process. To speed up the compression process, the compressor dynamically maintains a **String Info Log** to record the positions and lengths of strings encountered, so that string comparisons are performed quickly by looking up the String Info Log.

Because a compressor cannot have unlimited resources, as the compression continues the compressor removes “old” string information. This prevents the String Info Log from becoming too large. As a result, the algorithm can only look up repeated strings within the range of a fixed-sized “sliding window” behind the current position.

In this way, a stream of intermediate data is produced which contains two types of symbols: the **Original Characters** (to be preserved in the decompressed data), and the **Pointers** (representing a previous string). A Pointer consists of two elements: the **String Position** and the **String Length**, representing the location and the length of the target string, respectively.

- To improve the compression ratio further, Huffman Coding is utilized as the second step. The intermediate data (consisting of original characters and pointers) is divided into **Blocks** so that the compressor can perform Huffman Coding on a Block immediately after it is generated; eliminating the need for a second pass from the beginning after the intermediate data has been generated. Also, since symbol frequency distribution may differ in different parts of the intermediate data, Huffman Coding can be optimized for each specific Block. The compressor determines Block Size for each Block according to the specifications defined in Section 18.2, “Data Format.”

In each Block, two symbol sets are defined for Huffman Coding. The **Char&Len Set** consists of the Original Characters plus the String Lengths and the **Position Set** consists of String Positions (Note that the two elements of a Pointer belong to separate symbol sets). The Huffman Coding schemes applied on these two symbol sets are independent.

The algorithm uses “canonical” Huffman Coding so a Huffman tree can be represented as an array of code lengths in the order of the symbols in the symbol set. This code length array represents the Huffman Coding scheme for the symbol set. Both the Char&Len Set code length array and the Position Set code length array appear in the Block Header.

Huffman coding is used on the code length array of the Char&Len Set to define a third symbol set. The **Extra Set** is defined based on the code length values in the Char&Len Set code length array. The code length array for the Huffman Coding of Extra Set also appears in the Block Header together with the other two code length arrays. For exact format of the Block Header, see Section 18.2.3.1, “Block Header.”

The decompression process is straightforward given that the compression process is known. The decompressor scans the compressed data and decodes the symbols one by one, according to the Huffman code mapping tables generated from code length arrays. Along the process, if it encounters an original character, it outputs it; if it encounters a pointer, it looks it up in the already decompressed data and outputs the associated string.

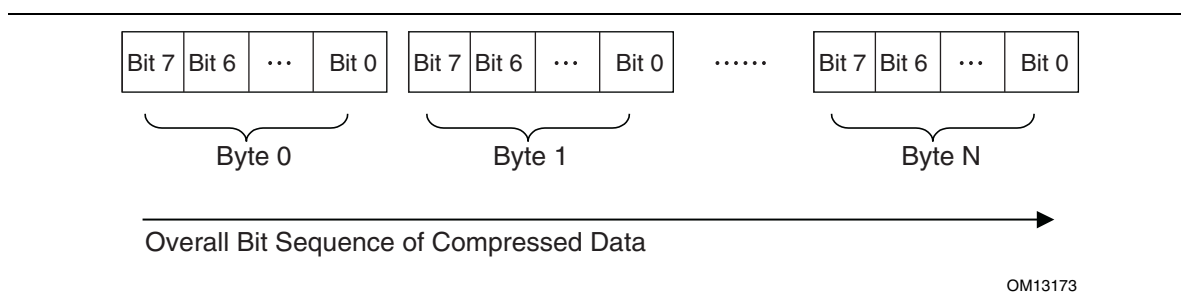


## 18.2 Data Format

This section describes in detail the format of the compressed data produced by the compressor. The compressed data serves as input to the decompressor and can be fully extracted to the original source data.

### 18.2.1 Bit Order

In computer data representation, a byte is the minimum unit and there is no differentiation in the order of bits within a byte. However, the compressed data is a sequence of bits rather than a sequence of bytes and as a result the order of bits in a byte needs to be defined. In a compressed data stream, the higher bits are defined to precede the lower bits in a byte. Figure 47 illustrates a compressed data sequence written as bytes from left to right. For each byte, the bits are written in an order with bit 7 (the highest bit) at the left and bit 0 (the lowest bit) at the right. Concatenating the bytes from left to right forms a bit sequence.



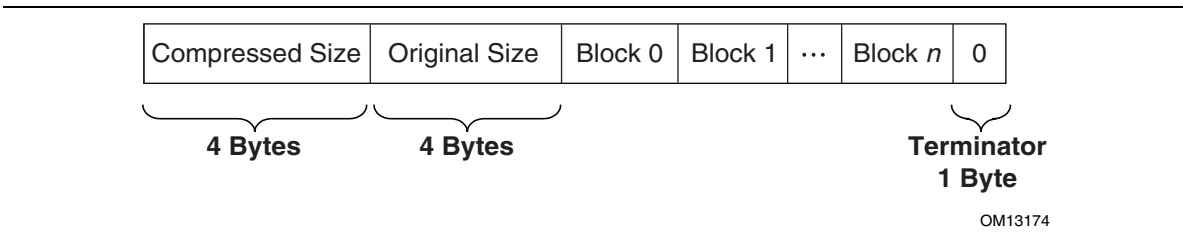
**Figure 47. Bit Sequence of Compressed Data**

The bits of the compressed data are actually formed by a sequence of data units. These data units have variable bit lengths. The bits of each data unit are arranged so that the higher bit of the data unit precedes the lower bit of the data unit.

### 18.2.2 Overall Structure

The compressed data begins with two 32-bit numerical fields: the compressed size and the original size. The compressed data following these two fields is composed of one or more Blocks. Each Block is a unit for Huffman Coding with a coding scheme independent of the other Blocks. Each Block is composed of a Block Header containing the Huffman code trees for this Block and a Block Body with the data encoded using the coding scheme defined by the Huffman trees. The compressed data is terminated by an additional byte of zero.

The overall structure of the compressed data is shown in Figure 48.



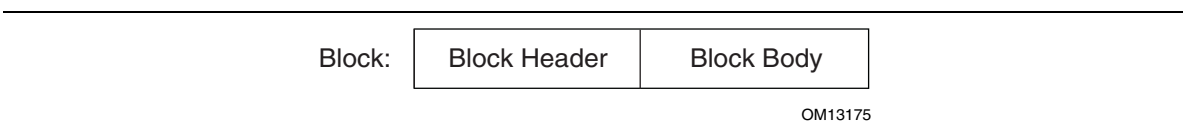
**Figure 48. Compressed Data Structure**

Note the following:

- Blocks are of variable lengths.
- Block lengths are counted by bits and not necessarily divisible by 8. Blocks are tightly packed (there are no padding bits between blocks). Neither the starting position nor ending position of a Block is necessarily at a byte boundary. However, if the last Block is not terminated at a byte boundary, there should be some bits of 0 to fill up the remaining bits of the last byte of the block, before the terminator byte of 0.
- Compressed Size =  
Size in bytes of (Block 0 + Block 1 + ... + Block N + Filling Bits (if any) + Terminator).
- Original Size is the size in bytes of original data.
- Both Compressed Size and Original Size are “little endian” (starting from the least significant byte).

### 18.2.3 Block Structure

A Block is composed of a Block Header and a Block Body, as shown in Figure 49. These two parts are packed tightly (there are no padding bits between them). The lengths in bits of Block Header and Block Body are not necessarily divisible by eight.



**Figure 49. Block Structure**

#### 18.2.3.1 Block Header

The Block Header contains the Huffman encoding information for this block. Since “canonical” Huffman Coding is being used, a Huffman tree is represented as an array of code lengths in increasing order of the symbols in the symbol set. Code lengths are limited to be less than or equal to 16 bits. This requires some extra handling of Huffman codes in the compressor, which is described in Section 18.3, “Compressor Design.”

There are three code length arrays for three different symbol sets in the Block Header: one for the Extra Set, one for the Char&Len Set, and one for the Position Set.

The Block Header is composed of the tightly packed (no padding bits) fields described in Table 110.

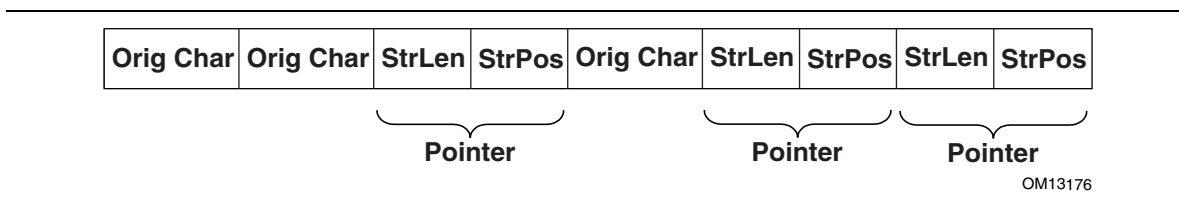
**Table 110. Block Header Fields**

Field Name	Length (bits)	Description
Block Size	16	The size of this Block. Block Size is defined as the number of original characters plus the number of pointers that appear in the Block Body: Block Size = Number of Original Characters in the Block Body + Number of Pointers in the Block Body.
Extra Set Code Length Array Size	5	The number of code lengths in the Extra Set Code Length Array. The Extra Set Code Length Array contains code lengths of the Extra Set in increasing order of the symbols, and if all symbols greater than a certain symbol have zero code length, the Extra Set Code Length Array terminates at the last nonzero code length symbol. Since there are 19 symbols in the Extra Set (see the description of the Char&Len Set Code Length Array), the maximum Extra Set Code Length Array Size is 19.
Extra Set Code Length Array	Variable	<p>If Extra Set Code Length Array Size is 0, then this field is a 5-bit value that represents the only Huffman code used.</p> <p>If Extra Set Code Length Array Size is not 0, then this field is an encoded form of a concatenation of code lengths in increasing order of the symbols.</p> <p>The concatenation of Code lengths are encoded as follows:</p> <p>If a code length is less than 7, then it is encoded as a 3-bit value;</p> <p>If a code length is equal to or greater than 7, then it is encoded as a series of "1"s followed by a terminating "0." The number of "1"s = Code length – 4. For example, code length "ten" is encoded as "1111110"; code length "seven" is encoded as "1110."</p> <p>After the third length of the code length concatenation, a 2-bit value is used to indicate the number of consecutive zero lengths immediately after the third length. (Note this 2-bit value only appears once after the third length, and does NOT appear multiple times after every 3<sup>rd</sup> length.) This 2-bit value ranges from 0 to 3. For example, if the 2-bit value is "00," then it means there are no zero lengths at the point, and following encoding starts from the fourth code length; if the 2-bit value is "10" then it means the fourth and fifth length are zero and following encoding starts from the sixth code length.</p>
Position Set Code Length Array Size	4	The number of code lengths in the Position Set Code Length Array. The Position Set Code Length Array contains code lengths of Position Set in increasing order of the symbols in the Position Set, and if all symbols greater than a certain symbol have zero code length, the Position Set Code Length Array terminates at the last nonzero code length symbol. Since there are 14 symbols in the Position Set (see 3.3.2), the maximum Position Set Code Length Array Size is 14.

<b>Field Name</b>	<b>Length (bits)</b>	<b>Description</b>
Char&Len Set Code Length Array	Variable	If Char&Len Set Code Length Array Size is 0, then this field is a 9-bit value that represents the only Huffman code used.
Position Set Code Length Array Size	4	The number of code lengths in the Position Set Code Length Array. The Position Set Code Length Array contains code lengths of Position Set in increasing order of the symbols in the Position Set, and if all symbols greater than a certain symbol have zero code length, the Position Set Code Length Array terminates at the last nonzero code length symbol. Since there are 14 symbols in the Position Set (see 3.3.2), the maximum Position Set Code Length Array Size is 14.
Position Set Code Length Array	Variable	<p>If Position Set Code Length Array Size is 0, then this field is a 5-bit value that represents the only Huffman code used.</p> <p>If Position Set Code Length Array Size is not 0, then this field is an encoded form of a concatenation of code lengths in increasing order of the symbols.</p> <p>The concatenation of Code lengths are encoded as follows:</p> <p>If a code length is less than 7, then it is encoded as a normal 3-bit value;</p> <p>If a code length is equal to or greater than 7, then it is encoded as a series of "1"s followed by a terminating "0." The number of "1"s = Code length – 4. For example, code length "10" is encoded as "1111110"; code length "7" is encoded as "1110."</p>

### 18.2.3.2 Block Body

The Block Body is simply a mixture of Original Characters and Pointers, while each Pointer has two elements: String Length preceding String Position. All these data units are tightly packed together.



**Figure 50. Block Body**

The Original Characters, String Lengths and String Positions are all Huffman coded using the Huffman trees presented in the Block Header, with some additional variations. The exact format is described below:

An Original Character is a byte in the source data. A String Length is a value that is greater than 3 and less than 257 (this range should be ensured by the compressor). By calculating “(String Length – 3) | 0x100,” a value set is obtained that ranges from 256 to 509. By combining this value set with the value set of Original Characters (0 ~ 255), the Char&Len Set (ranging from 0 to 509) is generated for Huffman Coding.

A String Position is a value that indicates the distance between the current position and the target string. The String Position value is defined as “Current Position – Starting Position of the target string - 1.” The String Position value ranges from 0 to 8190 (so 8192 is the “sliding window” size, and this range should be ensured by the compressor). The lengths of the String Position values (in binary form) form a value set ranging from 0 to 13 (it is assumed that value 0 has length of 0). This value set is the Position Set for Huffman Coding. The full representation of a String Position value is composed of two consecutive parts: one is the Huffman code for the value length; the other is the actual String Position value of “length - 1” bits (excluding the highest bit since the highest bit is always “1”). For example, String Position value 18 is represented as: Huffman code for “5” followed by “0010.” If the value length is 0 or 1, then no value is appended to the Huffman code. This kind of representation favors small String Position values, which is a hint for compressor design.

## 18.3 Compressor Design

The compressor takes the source data as input and produces a compressed image. This section describes the design used in one possible implementation of a compressor that follows the EFI 1.10 Compression Algorithm. The source code that illustrates an implementation of this specific design is listed in Appendix H.

### 18.3.1 Overall Process

The compressor scans the source data from the beginning, character by character. As the scanning proceeds, the compressor generates Original Characters or Pointers and outputs the compressed data packed in a series of Blocks representing individual Huffman coding units.

The compressor maintains a String Info Log containing data that facilitates string comparison. Old data items are deleted and new data items are inserted regularly.

The compressor does not output a Pointer immediately after it sees a matching string for the current position. Instead, it delays its decision until it gets the matching string for the next position. The compressor has two criteria at hand: one is that the former match length should be no shorter than three characters; the other is that the former match length should be no shorter than the latter match length. Only when these two criteria are met does the compressor output a Pointer to the former matching string.

The overall process of compression can be described by following pseudo code:

```
Set the Current Position at the beginning of the source data;
Delete the outdated string info from the String Info Log;
Search the String Info Log for matching string;
Add the string info of the current position into the String Info Log;
WHILE not end of source data DO
    Remember the last match;
    Advance the Current Position by 1;
    Delete the outdated String Info from the String Info Log;
    Search the String Info Log for matching string;
    Add the string info of the Current Position into the String Info Log;
    IF the last match is shorter than 3 characters or this match is longer than
    the last match THEN
        Call Output()* to output the character at the previous position as an
        Original Character;
    ELSE
        Call Output()* to output a Pointer to the last matching string;
        WHILE (--last match length) > 0 DO
            Advance the Current Position by 1;
            Delete the outdated piece of string info from the String Info Log;
            Add the string info of the current position into the String Info Log;
        ENDWHILE
    ENDIF
ENDWHILE
```

The *Output()* is the function that is responsible for generating Huffman codes and Blocks. It accepts an Original Character or a Pointer as input and maintains a Block Buffer to temporarily store data units that are to be Huffman coded. The following pseudo code describes the function:

```
FUNCTION NAME: Output
INPUT: an Original Character or a Pointer

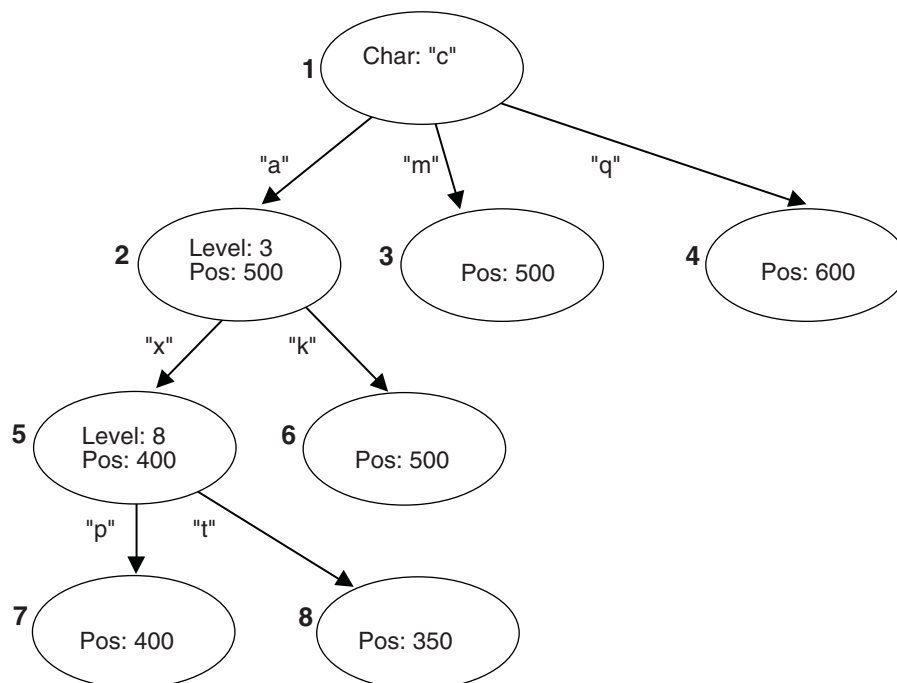
Put the Original Character or the Pointer into the Block Buffer;
Advance the Block Buffer position pointer by 1;
IF the Block Buffer is full THEN
    Encode the Char&Len Set in the Block buffer;
    Encode the Position Set in the Block buffer;
    Encode the Extra Set;
    Output the Block Header containing the code length arrays;
    Output the Block Body containing the Huffman encoded Original Characters and
    Pointers;
    Reset the Block Buffer position pointer to point to the beginning of the
    Block buffer;
ENDIF
```

### 18.3.2 String Info Log

The provision of the String Info Log is to speed up the process of finding matching strings. The design of this has significant impact on the overall performance of the compressor. This section describes in detail how String Info Log is implemented and the typical operations on it.

### 18.3.2.1 Data Structures

The String Info Log is implemented as a set of search trees. These search trees are dynamically updated as the compression proceeds through the source data. The structure of a typical search tree is depicted in Figure 51.



OM13177

**Figure 51. String Info Log Search Tree**

There are three types of nodes in a search tree: the root node, internal nodes, and leaves. The root node has a “character” attribute, which represents the starting character of a string. Each edge also has a “character” attribute, which represents the next character in the string. Each internal node has a “level” attribute, which indicates the character on any edge that leads to its child nodes is the “level + 1”th character in the string. Each internal node or leaf has a “position” attribute that indicates the string’s starting position in the source data.

To speed up the tree searching, a hash function is used. Given the parent node and the edge-character, the hash function will quickly find the expected child node.



### 18.3.2.2 Searching the Tree

Traversing the search tree is performed as follows:

The following example uses the search tree shown in Figure 51 above. Assume that the current position in the source data contains the string “camxrspj...”

1. The starting character “c” is used to find the root of the tree. The next character “a” is used to follow the edge from node 1 to node 2. The “position” of node 2 is 500, so a string starting with “ca” can be found at position 500. The string at the current position is compared with the string starting at position 500.
2. Node 2 is at Level 3; so at most three characters are compared. Assume that the three-character comparison passes.
3. The fourth character “x” is used to follow the edge from Node 2 to Node 5. The position value of node 5 is 400, which means there is a string located in position 400 that starts with “cam” and the character at position 403 is an “x.”
4. Node 5 is at Level 8, so the fifth to eighth characters of the source data are compared with the string starting at position 404. Assume the strings match.
5. At this point, the ninth character “p” has been reached. It is used to follow the edge from Node 5 to Node 7.
6. This process continues until a mismatch occurs, or the length of the matching strings exceeds the predefined MAX\_MATCH\_LENGTH. The most recent matching string (which is also the longest) is the desired matching string.

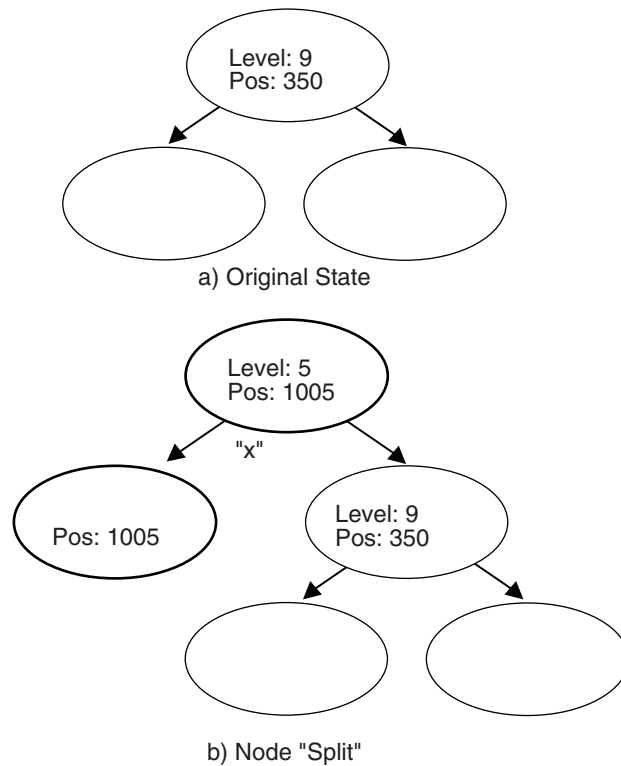
### 18.3.2.3 Adding String Info

String info needs to be added to the String Info Log for each position in the source data. Each time a search for a matching string is performed, the new string info is inserted for the current position. There are several cases that can be discussed:

1. No root is found for the first character. A new tree is created with the root node labeled with the starting character and a child leaf node with its edge to the root node labeled with the second character in the string. The “position” value of the child node is set to the current position.
2. One root node matches the first character, but the second character does not match any edge extending from the root node. A new child leaf node is created with its edge labeled with the second character. The “position” value of the new leaf child node is set to the current position.
3. A string comparison succeeds with an internal node, but a matching edge for the next character does not exist. This is similar to (2) above. A new child leaf node is created with its edge labeled with the character that does not exist. The “position” value of the new leaf child node is set to the current position.
4. A string comparison exceeds MAX\_MATCH\_LENGTH. Note: This only happens with leaf nodes. For this case, the “position” value in the leaf node is updated with the current position.

5. If a string comparison with an internal node or leaf node fails (mismatch occurs before the “Level + 1”th character is reached or MAX\_MATCH\_LENGTH is exceeded), then a “split” operation is performed as follows:

Suppose a comparison is being performed with a level 9 Node, at position 350, and the current position is 1005. If the sixth character at position 350 is an “x” and the sixth character at position 1005 is a “y,” then a mismatch will occur. In this case, a new internal node and a new child node are inserted into the tree, as depicted in Figure 52.



OM13178

**Figure 52. Node Split**

The b) portion of Figure 52 has two new inserted nodes, which reflects the new string information that was found at the current position. The process splits the old node into two child nodes, and that is why this operation is called a “split.”

### 18.3.2.4 Deleting String Info

The String Info Log will grow as more and more string information is logged. The size of the String Info Log must be limited, so outdated information must be removed on a regular basis. A sliding window is maintained behind the current position, and the searches are always limited within the range of the sliding window. Each time the current position is advanced, outdated string information that falls outside the sliding window should be removed from the tree. The search for outdated string information is simplified by always updating the nodes’ “position” attribute when searching for matching strings.

### 18.3.3 Huffman Code Generation

Another major component of the compressor design is generation of the Huffman Code.

Huffman Coding is applied to the Char&Len Set, the Position Set, and the Extra Set. The Huffman Coding used here has the following features:

1. The Huffman tree is represented as an array of code lengths (“canonical” Huffman Coding);
2. The maximum code length is limited to 16 bits.

The Huffman code generation process can be divided into three steps. These are the generation of Huffman tree, the adjustment of code lengths, and the code generation.

#### 18.3.3.1 Huffman Tree Generation

This process generates a typical Huffman tree. First, the frequency of each symbol is counted, and a list of nodes is generated with each node containing a symbol and the symbol’s frequency. The two nodes with the lowest frequency values are merged into a single node. This new node becomes the parent node of the two nodes that are merged. The frequency value of this new parent node is the sum of the two child nodes’ frequency values. The node list is updated to include the new parent node but exclude the two child nodes that are merged. This process is repeated until there is a single node remaining that is the root of the generated tree.

#### 18.3.3.2 Code Length Adjustment

The leaf nodes of the tree generated by the previous step represent all the symbols that were generated. Traditionally the code for each symbol is found by traversing the tree from the root node to the leaf node. Going down a left edge generates a “0,” and going down a right edge generates a “1.” However, a different approach is used here. The number of codes of each code length is counted. This generates a 16-element *LengthCount* array, with *LengthCount*[*i*] = Number Of Codes whose Code Length is *i*. Since a code length may be longer than 16 bits, the sixteenth entry of the *LengthCount* array is set to the Number Of Codes whose Code Length is greater than or equal to 16.

The *LengthCount* array goes through further adjustment described by following code:

```
INT32 i, k;
UINT32 cum;

cum = 0;
for (i = 16; i > 0; i--) {
    cum += LengthCount[i] << (16 - i);
}
while (cum != (1U << 16)) {
    LengthCount[16]--;
    for (i = 15; i > 0; i--) {
        if (LengthCount[i] != 0) {
            LengthCount[i]--;
            LengthCount[i+1] += 2;
            break;
        }
    }
    cum--;
}
```

### 18.3.3.3 Code Generation

In the previous step, the count of each length was obtained. Now, each symbol is going to be assigned a code. First, the length of the code for each symbol is determined. Naturally, the code lengths are assigned in such a way that shorter codes are assigned to more frequently appearing symbols. A *CodeLength* array is generated with  $CodeLength[i]$  = the code length of symbol  $i$ . Given this array, a code is assigned to each symbol using the algorithm described by the pseudo code below (the resulting codes are stored in array *Code* such that  $Code[i]$  = the code assigned to symbol  $i$ ):

```
INT32    i;
UINT16   Start[18];

Start[1] = 0;

for (i = 1; i <= 16; i++) {
    Start[i + 1] = (UINT16)((Start[i] + LengthCount[i]) << 1);
}

for (i = 0; i < NumberOfSymbols; i++) {
    Code[i] = Start[CodeLength[i]]++;
}
```

The code length adjustment process ensures that no code longer than the designated length will be generated. As long as the decompressor has the *CodeLength* array at hand, it can regenerate the codes.

## 18.4 Decompressor Design

The decompressor takes the compressed data as input and produces the original source data. The main tasks for the decompressor are decoding Huffman codes and restoring Pointers to the strings to which they point.

The following pseudo code describes the algorithm used in the design of a decompressor. The source code that illustrates an implementation of this design is listed in Appendix I.

```
WHILE not end of data DO
  IF at block boundary THEN
    Read in the Extra Set Code Length Array;
    Generate the Huffman code mapping table for the Extra Set;
    Read in and decode the Char&Len Set Code Length Array;
    Generate the Huffman code mapping table for the Char&Len Set;
    Read in the Position Set Code Length Array;
    Generate the Huffman code mapping table for the Position Set;
  ENDIF
  Get next code;
  Look the code up in the Char&Len Set code mapping table.
  Store the result as C;
  IF C < 256 (it represents an Original Character) THEN
    Output this character;
  ELSE (it represents a String Length)
    Transform C to be the actual String Length value;
    Get next code and look it up in the Position Set code mapping table, and
    with some additional transformation, store the result as P;
    Output C characters starting from the position "Current Position - P";
  ENDIF
ENDWHILE
```

## 18.5 Decompress Protocol

This section provides a detailed description of the **EFI\_DECOMPRESS\_PROTOCOL**.

## EFI\_DECOMPRESS\_PROTOCOL

### Summary

Provides a decompression service.

### GUID

```
#define EFI_DECOMPRESS_PROTOCOL_GUID \
    {0xd8117cfe, 0x94a6, 0x11d4, 0x9a, 0x3a, 0x0, 0x90, 0x27, 0x3f, \
     0xc1, 0x4d}
```

### Protocol Interface Structure

```
typedef struct _EFI_DECOMPRESS_PROTOCOL {
    EFI_DECOMPRESS_GET_INFO      GetInfo;
    EFI_DECOMPRESS_DECOMPRESS    Decompress;
} EFI_DECOMPRESS_PROTOCOL;
```

### Parameters

<i>GetInfo</i>	Given the compressed source buffer, this function retrieves the size of the uncompressed destination buffer and the size of the scratch buffer required to perform the decompression. It is the caller's responsibility to allocate the destination buffer and the scratch buffer prior to calling <b>Decompress()</b> . See the <b>GetInfo()</b> function description.
<i>Decompress</i>	Decompresses a compressed source buffer into an uncompressed destination buffer. It is the caller's responsibility to allocate the destination buffer and a scratch buffer prior to making this call. See the <b>Decompress()</b> function description.

### Description

The **EFI\_DECOMPRESS\_PROTOCOL** provides a decompression service that allows a compressed source buffer in memory to be decompressed into a destination buffer in memory. It also requires a temporary scratch buffer to perform the decompression. The **GetInfo()** function retrieves the size of the destination buffer and the size of the scratch buffer that the caller is required to allocate. The **Decompress()** function performs the decompression. The scratch buffer can be freed after the decompression is complete.

## EFI\_DECOMPRESS\_PROTOCOL.GetInfo()

### Summary

Given a compressed source buffer, this function retrieves the size of the uncompressed buffer and the size of the scratch buffer required to decompress the compressed source buffer.

### Prototype

```
typedef
EFI_STATUS
(EFIAPI *EFI_DECOMPRESS_GET_INFO) (
    IN  EFI_DECOMPRESS_PROTOCOL  *This,
    IN  VOID                      *Source,
    IN  UINT32                    SourceSize,
    OUT UINT32                    *DestinationSize,
    OUT UINT32                    *ScratchSize
);
```

### Parameters

<i>This</i>	A pointer to the <b>EFI_DECOMPRESS_PROTOCOL</b> instance. Type <b>EFI_DECOMPRESS_PROTOCOL</b> is defined in Section 18.5.
<i>Source</i>	The source buffer containing the compressed data.
<i>SourceSize</i>	The size, in bytes, of the source buffer.
<i>DestinationSize</i>	A pointer to the size, in bytes, of the uncompressed buffer that will be generated when the compressed buffer specified by <i>Source</i> and <i>SourceSize</i> is decompressed.
<i>ScratchSize</i>	A pointer to the size, in bytes, of the scratch buffer that is required to decompress the compressed buffer specified by <i>Source</i> and <i>SourceSize</i> .

## Description

The **GetInfo()** function retrieves the size of the uncompressed buffer and the temporary scratch buffer required to decompress the buffer specified by *Source* and *SourceSize*. If the size of the uncompressed buffer or the size of the scratch buffer cannot be determined from the compressed data specified by *Source* and *SourceData*, then **EFI\_INVALID\_PARAMETER** is returned. Otherwise, the size of the uncompressed buffer is returned in *DestinationSize*, the size of the scratch buffer is returned in *ScratchSize*, and **EFI\_SUCCESS** is returned.

The **GetInfo()** function does not have scratch buffer available to perform a thorough checking of the validity of the source data. It just retrieves the “Original Size” field from the beginning bytes of the source data and output it as *DestinationSize*. And *ScratchSize* is specific to the decompression implementation.

## Status Codes Returned

EFI_SUCCESS	The size of the uncompressed data was returned in <i>DestinationSize</i> and the size of the scratch buffer was returned in <i>ScratchSize</i> .
EFI_INVALID_PARAMETER	The size of the uncompressed data or the size of the scratch buffer cannot be determined from the compressed data specified by <i>Source</i> and <i>SourceSize</i> .



## EFI\_DECOMPRESS\_PROTOCOL.Decompress()

### Summary

Decompresses a compressed source buffer.

### Prototype

```
typedef
EFI_STATUS
(EFIAPI *EFI_DECOMPRESS_DECOMPRESS) (
    IN    EFI_DECOMPRESS_PROTOCOL  *This,
    IN    VOID*                    Source,
    IN    UINT32                   SourceSize,
    IN OUT VOID*                   Destination,
    IN    UINT32                   DestinationSize,
    IN OUT VOID*                   Scratch,
    IN    UINT32                   ScratchSize
);
```

### Parameters

<i>This</i>	A pointer to the <b><u>EFI_DECOMPRESS_PROTOCOL</u></b> instance. Type <b>EFI_DECOMPRESS_PROTOCOL</b> is defined in Section 18.5.
<i>Source</i>	The source buffer containing the compressed data.
<i>SourceSize</i>	The size of source data.
<i>Destination</i>	On output, the destination buffer that contains the uncompressed data.
<i>DestinationSize</i>	The size of the destination buffer. The size of the destination buffer needed is obtained from <b><u>GetInfo()</u></b> .
<i>Scratch</i>	A temporary scratch buffer that is used to perform the decompression.
<i>ScratchSize</i>	The size of scratch buffer. The size of the scratch buffer needed is obtained from <b>GetInfo()</b> .

## Description

The **Decompress ()** function extracts decompressed data to its original form.

This protocol is designed so that the decompression algorithm can be implemented without using any memory services. As a result, the **Decompress ()** function is not allowed to call **AllocatePool ()** or **AllocatePages ()** in its implementation. It is the caller's responsibility to allocate and free the *Destination* and *Scratch* buffers.

If the compressed source data specified by *Source* and *SourceSize* is successfully decompressed into *Destination*, then **EFI\_SUCCESS** is returned. If the compressed source data specified by *Source* and *SourceSize* is not in a valid compressed data format, then **EFI\_INVALID\_PARAMETER** is returned.

## Status Codes Returned

EFI_SUCCESS	Decompression completed successfully, and the uncompressed buffer is returned in <i>Destination</i> .
EFI_INVALID_PARAMETER	The source buffer specified by <i>Source</i> and <i>SourceSize</i> is corrupted (not in a valid compressed format).

# EFI Byte Code Virtual Machine

---

This chapter defines an EFI Byte Code (EBC) Virtual Machine that can provide platform- and processor-independent mechanisms for loading and executing EFI device drivers.

## 19.1 Overview

The current design for option ROMs that are used in personal computer systems has been in place since 1981. Attempts to change the basic design requirements have failed for a variety of reasons. The EBC Virtual Machine described in this chapter is attempting to help achieve the following goals:

- Abstract and extensible design
- Processor independence
- OS independence
- Build upon existing specifications when possible
- Facilitate the removal of legacy infrastructure
- Exclusive use of EFI Services

One way to satisfy many of these goals is to define a pseudo or virtual machine that can interpret a predefined instruction set. This will allow the virtual machine to be ported across processor and system architectures without changing or recompiling the option ROM. This specification defines a set of machine level instructions that can be generated by a C compiler.

The following sections are a detailed description of the requirements placed on future option ROMs.

### 19.1.1 Processor Architecture Independence

Option ROM images shall be independent of supported 32-bit and supported 64-bit architectures. In order to abstract the architectural differences between processors option ROM images shall be EBC. This model is presented below:

- 64-bit C source code
- The EFI EBC image is the flashed image
- The system BIOS implements the EBC interpreter
- The interpreter handles 32 vs. 64 bit issues

Current Option ROM technology is processor dependent and heavily reliant upon the existence of the PC-AT infrastructure. These dependencies inhibit the evolution of both hardware and software under the veil of “backward compatibility.” A solution that isolates the hardware and support infrastructure through abstraction will facilitate the uninhibited progression of technology.

### 19.1.2 OS Independent

Option ROMs shall not require or assume the existence of a particular OS.

### 19.1.3 EFI Compliant

Option ROM compliance with EFI requires (but is not limited to) the following:

1. Little endian layout
2. Single-threaded model with interrupt polling if needed
3. Where EFI provides required services, EFI is used exclusively. These include:
  - Console I/O
  - Memory Management
  - Timer services
  - Global variable access
4. When an Option ROM provides EFI services, the EFI specification is strictly followed:
  - Service/protocol installation
  - Calling conventions
  - Data structure layouts
  - Guaranteed return on services

### 19.1.4 Coexistence of Legacy Option ROMs

The infrastructure shall support coexistent Legacy Option ROM and EBC Option ROM images. This case would occur, for example, when a Plug and Play Card has both Legacy and EBC Option ROM images flashed. The details of the mechanism used to select which image to load is beyond the scope of this document. Basically, a legacy System BIOS would not recognize an EBC Option ROM and therefore would never load it. Conversely, an EFI Firmware Boot Manager would only load images that it supports.

The EBC Option ROM format must utilize a legacy format to the extent that a Legacy System BIOS can:

1. Determine the type of the image, in order to ignore the image. The type must be incompatible with currently defined types.
2. Determine the size of the image, in order to skip to the next image.

### 19.1.5 Relocatable Image

An EBC option ROM image shall be eligible for placement in any system memory area large enough to accommodate it.

Current option ROM technology requires images to be shadowed in system memory address range 0xC0000 to 0xEFFFF on a 2048 byte boundary. This dependency not only limits the number of Option ROMs, it results in unused memory fragments up to 2 KB.

### 19.1.6 Size Restrictions Based on Memory Available

EBC option ROM images shall not be limited to a predetermined fixed maximum size.

Current option ROM technology limits the size of a preinitialization option ROM image to 128 KB (126 KB actual). Additionally, in the DDIM an image is not allowed to grow during initialization. It is inevitable that 64-bit solutions will increase in complexity and size. To avoid revisiting this issue, EBC option ROM size is only limited by available system memory. EFI memory allocation services allow device drivers to claim as much memory as they need, within limits of available system memory.

The PCI specification limits the size of an image stored in an option ROM to 16 MB. If the driver is stored on the hard drive then the 16MB option ROM limit does not apply. In addition, the PE/COFF object format limits the size of images to 2 GB.

## 19.2 Memory Ordering

The term memory ordering refers to the order in which a processor issues reads (loads) and writes (stores) out onto the bus to system memory. The EBC Virtual Machine enforces strong memory ordering, where reads and writes are issued on the system bus in the order they occur in the instruction stream under all circumstances.

## 19.3 Virtual Machine Registers

The EBC virtual machine utilizes a simple register set. There are two categories of VM registers: general purpose registers and dedicated registers. All registers are 64-bits wide. There are eight (8) general-purpose registers (**R0-R7**), which are used by most EBC instructions to manipulate or fetch data. Table 111 lists the general-purpose registers in the VM and the conventions for their usage during execution.

**Table 111. General Purpose VM Registers**

Index	Register	Description
0	<b>R0</b>	Points to the top of the stack
1-3	<b>R1-R3</b>	Preserved across calls
4-7	<b>R4-R7</b>	Scratch, not preserved across calls

Register **R0** is used as a stack pointer and is used by the [CALL](#), [RET](#), [PUSH](#), and [POP](#) instructions. The VM initializes this register to point to the incoming arguments when an EBC image is started or entered. This register may be modified like any other general purpose VM register using EBC instructions. Register **R7** is used for function return values.

Unlike the general-purpose registers, the VM dedicated registers have specific purposes. There are two dedicated registers: the instruction pointer (**IP**), and the flags (**Flags**) register. Specialized instructions provide access to the dedicated registers. These instructions reference the particular dedicated register by its assigned index value. Table 112 lists the dedicated registers and their corresponding index values.

**Table 112. Dedicated VM Registers**

Index	Register	Description	
0	<b>FLAGS</b>		
		<b>Bit</b>	<b>Description</b>
		0	C = Condition code
		1	SS = Single step
	2..63	Reserved	
1	<b>IP</b>	Points to current instruction	
2..7	Reserved	Not defined	

The VM **Flags** register contains VM status and context flags. Table 113 lists the descriptions of the bits in the **Flags** register.

**Table 113. VM Flags Register**

Bit	Flag	Description
0	C	Condition code. Set to 1 if the result of the last compare was true, or set to 0 if the last compare was false. Used by conditional JMP instructions.
1	S	Single-step. If set, causes the VM to generate a single-step exception after executing each instruction. The bit is not cleared by the VM following the exception.
2..63	-	Reserved

The VM **IP** register is used as an instruction pointer and holds the address of the currently executing EBC instruction. The virtual machine will update the **IP** to the address of the next instruction on completion of the current instruction, and will continue execution from the address indicated in **IP**. The **IP** register can be moved into any general-purpose register (**R0-R7**). Data manipulation and data movement instructions can then be used to manipulate the value. The only instructions that may modify the **IP** are the [JMP](#), [CALL](#), and [RET](#) instructions. Since the instruction set is designed to use words as the minimum instruction entity, the low order bit (bit 0) of **IP** is always cleared to 0. If a JMP, CALL, or RET instruction causes bit 0 of **IP** to be set to 1, then an alignment exception occurs.

## 19.4 Natural Indexing

The natural indexing mechanism is the critical functionality that enables EBC to be executed unchanged on 32- or 64-bit systems. Natural indexing is used to specify the offset of data relative to a base address. However, rather than specifying the offset as a fixed number of bytes, the offset is encoded in a form that specifies the actual offset in two parts: a constant offset, and an offset specified as a number of natural units (where one natural unit = sizeof (VOID \*)). These two values are used to compute the actual offset to data at runtime. When the VM decodes an index during execution, the resultant offset is computed based on the natural processor size. The encoded indexes themselves may be 16, 32, or 64 bits in size. Table 114 describes the fields in a natural index encoding.

**Table 114. Index Encoding**

Bit #	Description
N	Sign bit (sign), most significant bit
N-3..N-1	Bits assigned to natural units (w)
A..N-4	Constant units (c)
0..A-1	Natural units (n)

As shown in Table 114, for a given encoded index, the most significant bit (bit N) specifies the sign of the resultant offset after it has been calculated. The sign bit is followed by three bits (N-3..N-1) that are used to compute the width of the natural units field (n). The value (w) from this field is multiplied by the index size in bytes to determine the actual width (A) of the natural units field (n). Once the width of the natural units field has been determined, then the natural units (n) and constant units (c) can be extracted. The offset is then calculated at runtime according to the following equation:

$$\text{Offset} = (c + n * (\text{sizeof}(\text{VOID} *))) * \text{sign}$$

The following sections describe each of these fields in more detail.

### 19.4.1 Sign Bit

The sign bit determines the sign of the index once the offset calculation has been performed. All index computations using “n” and “c” are done with positive numbers, and the sign bit is only used to set the sign of the final offset computed.

## 19.4.2 Bits Assigned to Natural Units

This 3-bit field that is used to determine the width of the natural units field. The units vary based on the size of the index according to Table 115. For example, for a 16-bit index, the value contained in this field would be multiplied by 2 to get the actual width of the natural-units field.

**Table 115. Index Size in Index Encoding**

Index Size	Units
16 bits	2 bits
32 bits	4 bits
64 bits	8 bits

## 19.4.3 Constant

The constant is the number of bytes in the index that do not scale with processor size. When the index is a 16-bit value, the maximum constant is 4095. This index is achieved when the bits assigned to natural units is 0.

## 19.4.4 Natural Units

Natural units are used when a structure has fields that can vary with the architecture of the processor. Fields that precipitate the use of natural units include pointers and EFI INTN and UINTN data types. The size of one pointer or INTN/UINTN equals one natural unit. The natural units field in an index encoding is a count of the number of natural fields whose sizes (in bytes) must be added to determine a field offset.

As an example, assume that a given EBC instruction specifies a 16-bit index of 0xA048. This breaks down into:

- Sign bit (bit 15) = 1 (negative offset)
- Bits assigned to natural units (w, bits 14-12) = 2. Multiply by index size in bytes =  $2 \times 2 = 4$  (A)
- $c = \text{bits } 11-4 = 4$
- $n = \text{bits } 3-0 = 8$

On a 32-bit machine, the offset is then calculated to be:

- $\text{Offset} = (4 + 8 * 4) * -1 = -36$
- On a 64-bit machine, the offset is calculated to be:
- $\text{Offset} = (4 + 8 * 8) * -1 = -68$



## 19.5 EBC Instruction Operands

The VM supports an EBC instruction set that performs data movement, data manipulation, branching, and other miscellaneous operations typical of a simple processor. Most instructions operate on two operands, and have the general form:

**INSTRUCTION Operand1, Operand2**

Typically, instruction operands will be one of the following:

- Direct
- Indirect
- Indirect with index
- Immediate

The following subsections explain these operands.

### 19.5.1 Direct Operands

When a direct operand is specified for an instruction, the data to operate upon is contained in one of the VM general-purpose registers **R0-R7**. Syntactically, an example of direct operand mode could be the [ADD](#) instruction:

**ADD64 R1, R2**

This form of the instruction utilizes two direct operands. For this particular instruction, the VM would take the contents of register **R2**, add it to the contents of register **R1**, and store the result in register **R1**.

### 19.5.2 Indirect Operands

When an indirect operand is specified, a VM register contains the address of the operand data. This is sometimes referred to as register indirect, and is indicated by prefixing the register operand with “@.” Syntactically, an example of an indirect operand mode could be this form of the [ADD](#) instruction:

**ADD32 R1, @R2**

For this instruction, the VM would take the 32-bit value at the address specified in **R2**, add it to the contents of register **R1**, and store the result in register **R1**.

### 19.5.3 Indirect with Index Operands

When an indirect with index operand is specified, the address of the operand is computed by adding the contents of a register to a decoded natural index that is included in the instruction. Typically with indexed addressing, the base address will be loaded in the register and an index value will be used to indicate the offset relative to this base address. Indexed addressing takes the form

**@R<sub>1</sub> (+n,+c)**

where:

- **R<sub>1</sub>** is one of the general-purpose registers (**R0-R7**) which contains the base address
- **+n** is a count of the number of “natural” units offset. This portion of the total offset is computed at runtime as (n \* sizeof (VOID \*))
- **+c** is a byte offset to add to the natural offset to resolve the total offset

The values of **n** and **c** can be either positive or negative, though they must both have the same sign. These values get encoded in the indexes associated with EBC instructions as shown in Table 114. Indexes can be 16-, 32-, or 64-bits wide depending on the instruction. An example of indirect with index syntax would be:

**ADD32 R1, @R2 (+1, +8)**

This instruction would take the address in register **R2**, add (8 + 1 \* sizeof (VOID \*)), read the 32-bit value at the address, add the contents of **R1** to the value, and store the result back to **R1**.

### 19.5.4 Immediate Operands

Some instructions support an immediate operand, which is simply a value included in the instruction encoding. The immediate value may or may not be sign extended, depending on the particular instruction. One instruction that supports an immediate operand is [MOVI](#). An example usage of this instruction is:

**MOVIww R1, 0x1234**

This instruction moves the immediate value 0x1234 directly into VM register **R1**. The immediate value is contained directly in the encoding for the MOVI instruction.

## 19.6 EBC Instruction Syntax

Most EBC instructions have one or more variations that modify the size of the instruction and/or the behavior of the instruction itself. These variations will typically modify an instruction in one or more of the following ways:

- The size of the data being operated upon
- The addressing mode for the operands
- The size of index or immediate data

- To represent these variations syntactically in this specification the following conventions are used:
- Natural indexes are indicated with the “Index” keyword, and may take the form of “Index16,” “Index32,” or “Index64” to indicate the size of the index value supported. Sometimes the form Index16|32|64 is used here, which is simply a shorthand notation for Index16|Index32|Index64. A natural index is encoded per Table 114 and is resolved at runtime.
- Immediate values are indicated with the “Immed” keyword, and may take the form of “Immed16,” “Immed32,” or “Immed64” to indicate the size of the immediate value supported. The shorthand notation Immed16|32|64 is sometimes used when different size immediate values are supported.
- Terms in brackets [ ] are required.
- Terms in braces { } are optional.
- Alternate terms are separated by a vertical bar |.
- The form  $R_1$  and  $R_2$  represent Operand 1 register and Operand 2 register respectfully, and can typically be any VM general-purpose register **R0-R7**.
- Within descriptions of the instructions, brackets [ ] enclosing a register and/or index indicate that the contents of the memory pointed to by the enclosed contents are used.

## 19.7 Instruction Encoding

Most EBC instructions take the form:

**INSTRUCTION  $R_1$ ,  $R_2$  Index|Immed**

For those instructions that adhere to this form, the binary encoding for the instruction will typically consist of an opcode byte, followed by an operands byte, followed by two or more bytes of immediate or index data. Thus the instruction stream will be:

**(1 Byte Opcode) + (1 Byte Operands) + (Immediate data|Index data)**

### 19.7.1 Instruction Opcode Byte Encoding

The first byte of an instruction is the opcode byte, and an instruction’s actual opcode value consumes 6 bits of this byte. The remaining two bits will typically be used to indicate operand sizes and/or presence or absence of index or immediate data. Table 116 defines the bits in the opcode byte for most instructions, and their usage.

**Table 116. Opcode Byte Encoding**

Bit	Sym	Description
6..7	Modifiers	One or more of: <ul style="list-style-type: none"> <li>• Index or immediate data present/absent</li> <li>• Operand size</li> <li>• Index or immediate data size</li> </ul>
0..5	Op	Instruction opcode

For those instructions that use bit 7 to indicate the presence of an index or immediate data and bit 6 to indicate the size of the index or immediate data, if bit 7 is 0 (no immediate data), then bit 6 is ignored by the VM. Otherwise, unless otherwise specified for a given instruction, setting unused bits in the opcode byte results in an instruction encoding exception when the instruction is executed. Setting the modifiers field in the opcode byte to reserved values will also result in an instruction encoding exception.

### 19.7.2 Instruction Operands Byte Encoding

The second byte of most encoded instructions is an operand byte, which encodes the registers for the instruction operands and whether the operands are direct or indirect. Table 117 defines the encoding for the operand byte for these instructions. Unless otherwise specified for a given instruction, setting unused bits in the operand byte results in an instruction encoding exception when the instruction is executed. Setting fields in the operand byte to reserved values will also result in an instruction encoding exception.

**Table 117. Operand Byte Encoding**

Bit	Description
7	0 = Operand 2 is direct 1 = Operand 2 is indirect
4..6	Operand 2 register
3	0 = Operand 1 is direct 1 = Operand 1 is indirect
0..2	Operand 1 register

### 19.7.3 Index/Immediate Data Encoding

Following the operand bytes for most instructions is the instruction's immediate data. The immediate data is, depending on the instruction and instruction encoding, either an unsigned or signed literal value, or an index encoded using natural encoding. In either case, the size of the immediate data is specified in the instruction encoding.

For most instructions, the index/immediate value in the instruction stream is interpreted as a signed immediate value if the register operand is direct. This immediate value is then added to the contents of the register to compute the instruction operand. If the register is indirect, then the data is usually interpreted as a natural index (see Section 19.4) and the computed index value is added to the contents of the register to get the address of the operand.

## 19.8 EBC Instruction Set

The following sections describe each of the EBC instructions in detail. Information includes an assembly-language syntax, a description of the instruction functionality, binary encoding, and any limitations or unique behaviors of the instruction.

## ADD

### SYNTAX

ADD[32|64] { @ }R<sub>1</sub>, { @ }R<sub>2</sub> { Index16|Immed16 }

### DESCRIPTION

Adds two signed operands and stores the result to Operand 1. The operation can be performed on either 32-bit (ADD32) or 64-bit (ADD64) operands.

### OPERATION

Operand 1  $\leftarrow$  Operand 1 + Operand 2

**Table 118. ADD Instruction Encoding**

BYTE	DESCRIPTION	
0	<b>Bit</b>	<b>Description</b>
	7	0 = Immediate/index absent 1 = Immediate/index present
	6	0 = 32-bit operation 1 = 64-bit operation
	0..5	Opcode = 0x0C
1	<b>Bit</b>	<b>Description</b>
	7	0 = Operand 2 direct 1 = Operand 2 indirect
	4..6	Operand 2
	3	0 = Operand 1 direct 1 = Operand 1 indirect
	0..2	Operand 1
2..3	Optional 16-bit immediate data/index	

### BEHAVIORS AND RESTRICTIONS

- If Operand 2 is indirect, then the immediate data is interpreted as an index and the Operand 2 value is fetched from memory as a signed value at address  $[R_2 + \text{Index16}]$ .
- If Operand 2 is direct, then the immediate data is considered a signed immediate value and is added to the  $R_2$  register contents such that  $\text{Operand 2} = R_2 + \text{Immed16}$ .
- If the instruction is ADD32 and Operand 1 is direct, then the result is stored back to the Operand 1 register with the upper 32 bits cleared.

## AND

### SYNTAX

AND[32|64] { @ }R<sub>1</sub>, { @ }R<sub>2</sub> { Index16|Immed16 }

### DESCRIPTION

Performs a logical AND operation on two operands and stores the result to Operand 1. The operation can be performed on either 32-bit (AND32) or 64-bit (AND64) operands.

### OPERATION

Operand 1 <= Operand 1 AND Operand 2

**Table 119. AND Instruction Encoding**

BYTE	DESCRIPTION	
0	<b>Bit</b>	<b>Description</b>
	7	0 = Immediate/index absent 1 = Immediate/index present
	6	0 = 32-bit operation 1 = 64-bit operation
	0..5	Opcode = 0x14
1	<b>Bit</b>	<b>Description</b>
	7	0 = Operand 2 direct 1 = Operand 2 indirect
	4..6	Operand 2
	3	0 = Operand 1 direct 1 = Operand 1 indirect
	0..2	Operand 1
2..3	Optional 16-bit immediate data/index	

### BEHAVIORS AND RESTRICTIONS

- If Operand 2 is indirect, then the immediate data is interpreted as an index, and the Operand 2 value is fetched from memory as an unsigned value at address [R<sub>2</sub> + Index16].
- If Operand 2 is direct, then the immediate data is considered a signed immediate value and is added to the register contents such that Operand 2 = R<sub>2</sub> + Immed16.
- If the instruction is AND32 and Operand 1 is direct, then the result is stored to the Operand 1 register with the upper 32 bits cleared.

## ASHR

### SYNTAX

ASHR[32|64] { @ }R<sub>1</sub>, { @ }R<sub>2</sub> { Index16|Immed16 }

### DESCRIPTION

Performs an arithmetic right-shift of a signed 32-bit (ASHR32) or 64-bit (ASHR64) operand and stores the result back to Operand 1

### OPERATION

Operand 1  $\leftarrow$  Operand 1 SHIFT-RIGHT Operand 2

**Table 120. ASHR Instruction Encoding**

BYTE	DESCRIPTION	
0	<b>Bit</b>	<b>Description</b>
	7	0 = Immediate/index absent 1 = Immediate/index present
	6	0 = 32-bit operation 1 = 64-bit operation
	0..5	Opcode = 0x19
1	<b>Bit</b>	<b>Description</b>
	7	0 = Operand 2 direct 1 = Operand 2 indirect
	4..6	Operand 2
	3	0 = Operand 1 direct 1 = Operand 1 indirect
	0..2	Operand 1
2..3	Optional 16-bit immediate data/index	

### BEHAVIORS AND RESTRICTIONS

- If Operand 2 is indirect, then the immediate data is interpreted as an index, and the Operand 2 value is fetched from memory as a signed value at address  $[R_2 + \text{Index16}]$ .
- If Operand 2 is direct, then the immediate data is considered a signed immediate value and is added to the register contents such that  $\text{Operand 2} = R_2 + \text{Immed16}$ .
- If the instruction is ASHR32, and Operand 1 is direct, then the result is stored back to the Operand 1 register with the upper 32 bits cleared.

## BREAK

### SYNTAX

BREAK [break code]

### DESCRIPTION

The BREAK instruction is used to perform special processing by the VM. The break code specifies the functionality to perform.

**BREAK 0** – Runaway program break. This indicates that the VM is likely executing code from cleared memory. This results in a bad break exception.

**BREAK 1** – Get virtual machine version. This instruction returns the 64-bit virtual machine revision number in VM register **R7**. The encoding is shown in Table 121 and Table 122. A VM that conforms to this version of the specification should return a version number of 0x00010000.

**Table 121. VM Version Format**

<b>BITS</b>	<b>DESCRIPTION</b>
63-32	Reserved = 0
31..16	VM major version
15..0	VM minor version

**BREAK 3** – Debug breakpoint. Executing this instruction results in a debug break exception. If a debugger is attached or available, then it may halt execution of the image.

**BREAK 4** – System call. There are no system calls supported for use with this break code, so the VM will ignore the instruction and continue execution at the following instruction.

**BREAK 5** – Create thunk. This causes the interpreter to create a thunk for the EBC entry point whose 32-bit IP-relative offset is stored at the 64-bit address in VM register **R7**. The interpreter then replaces the contents of the memory location pointed to by **R7** to point to the newly created thunk. Since all EBC IP-relative offsets are relative to the next instruction or data object, the original offset is off by 4, so must be incremented by 4 to get the actual address of the entry point.

**BREAK 6** – Set compiler version. An EBC C compiler can insert this break instruction into an executable to set the compiler version used to build an EBC image. When the VM executes this instruction it takes the compiler version from register **R7** and may perform version compatibility checking. The compiler version number follows the same format as the VM version number returned by the BREAK 1 instruction.



**Table 122. BREAK Instruction Encoding**

BYTE	DESCRIPTION
0	Opcode = 0x00
1	0 = Runaway program break 1 = Get virtual machine version 3 = Debug breakpoint 4 = System call 5 = Create thunk 6 = Set compiler version

## BEHAVIORS AND RESTRICTIONS

- Executing an undefined BREAK code results in a bad break exception.
- Executing BREAK 0 results in a bad break exception.

## CALL

### SYNTAX

CALL32{EX}{a} {@}R<sub>i</sub> {Immed32|Index32}

CALL64{EX}{a} Immed64

### DESCRIPTION

The CALL instruction pushes the address of the following instruction on the stack and jumps to a subroutine. The subroutine may be either EBC or native code, and may be to an absolute or **IP**-relative address. CALL32 is used to jump directly to EBC code within a given application, whereas CALLEX is used to jump to external code (either native or EBC), which requires thinking. Functionally, the CALL does the following:

```
R0 = R0 - 8;
PUSH64 ReturnAddress
if (Opcode.ImmedData64Bit) {
    if (Operands.EbcCall) {
        IP = Immed64;
    } else {
        NativeCall (Immed64);
    }
} else {
    if (Operand1 != R0) {
        Addr = Operand1;
    } else {
        Addr = Immed32;
    }
    if (Operands.EbcCall) {
        if (Operands.RelativeAddress) {
            IP += Addr + SizeOfThisInstruction;
        } else {
            IP = Addr
        }
    } else {
        if (Operands.RelativeAddress) {
            NativeCall (IP + Addr)
        } else {
            NativeCall (Addr)
        }
    }
}
```

## OPERATION

**R0** <= **R0** – 16

**[R0]** <= **IP** + SizeOfThisInstruction

**IP** <= **IP** + SizeOfThisInstruction + Operand 1 (relative CALL)

**IP** <= Operand 1 (absolute CALL)

**Table 123. CALL Instruction Encoding**

BYTE	DESCRIPTION	
0	<b>Bit</b>	<b>Description</b>
	7	0 = Immediate/index data absent 1 = Immediate/index data present
	6	0 = CALL32 with 32-bit immediate data/index if present 1 = CALL64 with 64-bit immediate data
	0..5	Opcode = 0x03
1	<b>Bit</b>	<b>Description</b>
	6..7	Reserved = 0
	5	0 = Call to EBC 1 = Call to native code
	4	0 = Absolute address 1 = Relative address
	3	0 = Operand 1 direct 1 = Operand 1 indirect
	0..2	Operand 1
2..5	Optional 32-bit index/immediate for CALL32	
2..9	Required 64-bit immediate data for CALL64	

## BEHAVIOR AND RESTRICTIONS

- For the CALL32 forms, if Operand 1 is indirect, then the immediate data is interpreted as an index, and the Operand 1 value is fetched from memory address  $[R_1 + \text{Index32}]$ .
- For the CALL32 forms, if Operand 1 is direct, then the immediate data is considered a signed immediate value and is added to the Operand 1 register contents such that  $\text{Operand 1} = R_1 + \text{Immed32}$ .
- For the CALLEX forms, the VM must fix up the stack pointer and execute a call to native code in a manner compatible with the native code such that the callee is able to access arguments passed on the VM stack..
- For the CALLEX forms, the value returned by the callee should be returned in **R7**.
- For the CALL64 forms, the Operand 1 fields are ignored.
- If  $\text{Byte7:Bit6} = 1$  (CALL64), then  $\text{Byte1:Bit4}$  is assumed to be 0 (absolute address)
- For CALL32 forms, if Operand 1 register = **R0**, then the register operand is ignored and only the immediate data is used in the calculation of the call address.
- Prior to the call, the VM will decrement the stack pointer **R0** by 16 bytes, and store the 64-bit return address on the stack.
- Offsets for relative calls are relative to the address of the instruction following the CALL instruction.

## CMP

### SYNTAX

CMP[32|64][eql|tel|telultelugte] R<sub>1</sub>, { @ }R<sub>2</sub> {Index16|Immed16}

### DESCRIPTION

The CMP instruction is used to compare Operand 1 to Operand 2. Supported comparison modes are =, <=, >=, unsigned <=, and unsigned >=. The comparison size can be 32 bits (CMP32) or 64 bits (CMP64). The effect of this instruction is to set or clear the condition code bit in the **Flags** register per the comparison results. The operands are compared as signed values except for the CMPulte and CMPugte forms.

### OPERATION

CMPEq: **Flags.C** <= (Operand 1 == Operand 2)

CMPlte: **Flags.C** <= (Operand 1 <= Operand 2)

CMPgte: **Flags.C** <= (Operand 1 >= Operand 2)

CMPulte: **Flags.C** <= (Operand 1 <= Operand 2) (unsigned)

CMPugte: **Flags.C** <= (Operand 1 >= Operand 2) (unsigned)

**Table 124. CMP Instruction Encoding**

BYTE	DESCRIPTION	
0	<b>Bit</b>	<b>Description</b>
	7	0 = Immediate/index data absent 1 = Immediate/index data present
	6	0 = 32-bit comparison 1 = 64-bit comparison
	0..5	<b>Opcode</b> 0x05 = CMPeq compare equal 0x06 = CMPlte compare signed less than/equal 0x07 = CMPgte compare signed greater than/equal 0x08 = CMPulte compare unsigned less than/equal 0x09 = CMPugte compare unsigned greater than/equal
	1	<b>Bit</b>
1	<b>Description</b>	
	7	0 = Operand 2 direct 1 = Operand 2 indirect
	4..6	Operand 2
	3	Reserved = 0
	0..2	Operand 1
2..3	Optional 16-bit immediate data/index	

## BEHAVIORS AND RESTRICTIONS

- If Operand 2 is indirect, then the immediate data is interpreted as an index, and the Operand 2 value is fetched from memory address  $[R_2 + \text{Index}16]$ .
- If Operand 2 is direct, then the immediate data is considered a signed immediate value and is added to the register contents such that  $\text{Operand 2} = R_2 + \text{Immed}16$ .
- Only register direct is supported for Operand 1.

## CMPI

### SYNTAX

CMPI[32|64]{w|d}[e|q|l|t|e|l|t|e|l|t|e|l|t|e|l|t|e] { @ }R<sub>1</sub> {Index16}, Immed16|Immed32

### DESCRIPTION

Compares two operands, one of which is an immediate value, for =, <=, >=, unsigned <=, or unsigned >=, and sets or clears the condition flag bit in the **Flags** register accordingly. Comparisons can be performed on a 32-bit (CMPI32) or 64-bit (CMPI64) basis. The size of the immediate data can be either 16 bits (CMPIw) or 32 bits (CMPI d).

### OPERATION

CMPIeq: **Flags.C** <= (Operand 1 == Operand 2)

CMPIlte: **Flags.C** <= (Operand 1 <= Operand 2)

CMPIgte: **Flags.C** <= (Operand 1 >= Operand 2)

CMPIulte: **Flags.C** <= (Operand 1 <= Operand 2)

CMPIugte: **Flags.C** <= (Operand 1 >= Operand 2)

**Table 125. CMPI Instruction Encoding**

BYTE	DESCRIPTION	
0	<b>Bit</b>	<b>Description</b>
	7	0 = 16-bit immediate data 1 = 32-bit immediate data
	6	0 = 32-bit comparison 1 = 64-bit comparison
	0..5	<b>Opcode</b>
		0x2D = CMPIeq compare equal 0x2E = CMPIlte compare signed less than/equal 0x2F = CMPIgte compare signed greater than/equal 0x30 = CMPIulte compare unsigned less than/equal 0x31 = CMPIugte compare unsigned greater than/equal
1	<b>Bit</b>	<b>Description</b>
	5..7	Reserved = 0
	4	0 = Operand 1 index absent 1 = Operand 1 index present
	3	0 = Operand 1 direct 1 = Operand 1 indirect
	0..2	Operand 1
2..3	Optional 16-bit Operand 1 index	
2..3/4..5	16-bit immediate data	
2..5/4..7	32-bit immediate data	

## BEHAVIORS AND RESTRICTIONS

- The immediate data is fetched as a signed value.
- If the immediate data is smaller than the comparison size, then the immediate data is sign-extended appropriately.
- If Operand 1 is direct, and an Operand 1 index is specified, then an instruction encoding exception is generated.



## DIV

### SYNTAX

DIV[32|64] { @ }R<sub>1</sub>, { @ }R<sub>2</sub> { Index16|Immed16 }

### DESCRIPTION

Performs a divide operation on two signed operands and stores the result to Operand 1. The operation can be performed on either 32-bit (DIV32) or 64-bit (DIV64) operands.

### OPERATION

Operand 1  $\leftarrow$  Operand 1 / Operand 2

**Table 126. DIV Instruction Encoding**

BYTE	DESCRIPTION	
0	<b>Bit</b>	<b>Description</b>
	7	0 = Immediate/index absent 1 = Immediate/index present
	6	0 = 32-bit operation 1 = 64-bit operation
	0..5	Opcode = 0x10
1	<b>Bit</b>	<b>Description</b>
	7	0 = Operand 2 direct 1 = Operand 2 indirect
	4..6	Operand 2
	3	0 = Operand 1 direct 1 = Operand 1 indirect
	0..2	Operand 1
2..3	Optional 16-bit immediate data/index	

### BEHAVIORS AND RESTRICTIONS

- If Operand 2 is indirect, then the immediate data is interpreted as an index, and the Operand 2 value is fetched from memory as a signed value at address  $[R_2 + \text{Index}16]$ .
- If Operand 2 is direct, then the immediate data is considered a signed value and is added to the register contents such that  $\text{Operand } 2 = R_2 + \text{Immed}16$
- If the instruction is DIV32 form, and Operand 1 is direct, then the upper 32 bits of the result are set to 0 before storing to the Operand 1 register.
- A divide-by-0 exception occurs if  $\text{Operand } 2 = 0$ .

## DIVU

### SYNTAX

DIVU[32|64] {@}R<sub>1</sub>, {@}R<sub>2</sub> {Index16|Immed16}

### DESCRIPTION

Performs a divide operation on two unsigned operands and stores the result to Operand 1. The operation can be performed on either 32-bit (DIVU32) or 64-bit (DIVU64) operands.

### OPERATION

Operand 1  $\leftarrow$  Operand 1 / Operand 2

**Table 127. DIVU Instruction Encoding**

BYTE	DESCRIPTION	
0	<b>Bit</b>	<b>Description</b>
	7	0 = Immediate/index absent 1 = Immediate/index present
	6	0 = 32-bit operation 1 = 64-bit operation
	0..5	Opcode = 0x11
1	<b>Bit</b>	<b>Description</b>
	7	0 = Operand 2 direct 1 = Operand 2 indirect
	4..6	Operand 2
	3	0 = Operand 1 direct 1 = Operand 1 indirect
	0..2	Operand 1
2..3	Optional 16-bit immediate data/index	

### BEHAVIORS AND RESTRICTIONS

- If Operand 2 is indirect, then the immediate data is interpreted as an index, and the value is fetched from memory as an unsigned value at address  $[R_2 + \text{Index}16]$ .
- If Operand 2 is direct, then the immediate data is considered an unsigned value and is added to the Operand 2 register contents such that  $\text{Operand 2} = R_2 + \text{Immed}16$
- For the DIVU32 form, if Operand 1 is direct then the upper 32 bits of the result are set to 0 before storing back to the Operand 1 register.
- A divide-by-0 exception occurs if  $\text{Operand 2} = 0$ .

## EXTNDB

### SYNTAX

EXTNDB[32|64] { @ }R<sub>1</sub>, { @ }R<sub>2</sub> { Index16|Immed16 }

### DESCRIPTION

Sign-extend a byte value and store the result to Operand 1. The byte can be signed extended to 32 bits (EXTNDB32) or 64 bits (EXTNDB64).

### OPERATION

Operand 1 <= (sign extended) Operand 2

**Table 128. EXTNDB Instruction Encoding**

BYTE	DESCRIPTION	
0	<b>Bit</b>	<b>Description</b>
	7	0 = Immediate/index absent 1 = Immediate/index present
	6	0 = 32-bit operation 1 = 64-bit operation
	0..5	Opcode = 0x1A
1	<b>Bit</b>	<b>Description</b>
	7	0 = Operand 2 direct 1 = Operand 2 indirect
	4..6	Operand 2
	3	0 = Operand 1 direct 1 = Operand 1 indirect
	0..2	Operand 1
2..3	Optional 16-bit immediate data/index	

### BEHAVIORS AND RESTRICTIONS

- If Operand 2 is indirect, then the immediate data is interpreted as an index, and the byte Operand 2 value is fetched from memory as a signed value at address [R<sub>2</sub> + Index16].
- If Operand 2 is direct, then the immediate data is considered a signed immediate value, is added to the signed-extended byte from the Operand 2 register, and the byte result is sign extended to 32 or 64 bits.
- If the instruction is EXTNDB32 and Operand 1 is direct, then the 32-bit result is stored in the Operand 1 register with the upper 32 bits cleared.

## EXTNDD

### SYNTAX

EXTNDD[32|64] { @ }R<sub>1</sub>, { @ }R<sub>2</sub> { Index16|Immed16 }

### DESCRIPTION

Sign-extend a 32-bit Operand 2 value and store the result to Operand 1. The Operand 2 value can be extended to 32 bits (EXTNDD32) or 64 bits (EXTNDD64).

### OPERATION

Operand 1  $\leftarrow$  (sign extended) Operand 2

**Table 129. EXTNDD Instruction Encoding**

BYTE	DESCRIPTION	
0	<b>Bit</b>	<b>Description</b>
	7	0 = Immediate/index absent 1 = Immediate/index present
	6	0 = 32-bit operation 1 = 64-bit operation
	0..5	Opcode = 0x1C
1	<b>Bit</b>	<b>Description</b>
	7	0 = Operand 2 direct 1 = Operand 2 indirect
	4..6	Operand 2
	3	0 = Operand 1 direct 1 = Operand 1 indirect
	0..2	Operand 1
2..3	Optional 16-bit immediate data/index	

### BEHAVIORS AND RESTRICTIONS

- If Operand 2 is indirect, then the immediate data is interpreted as an index, and the 32-bit value is fetched from memory as a signed value at address  $[R_2 + \text{Index16}]$ .
- If Operand 2 is direct, then the immediate data is considered a signed immediate value such that  $\text{Operand 2} = R_2 + \text{Immed16}$ , and the value is sign extended to 32 or 64 bits accordingly.
- If the instruction is EXTNDD32 and Operand 1 is direct, then the result is stored in the Operand 1 register with the upper 32 bits cleared.

## EXTNDW

### SYNTAX

EXTNDW[32|64] { @ }R<sub>1</sub>, { @ }R<sub>2</sub> { Index16|Immed16 }

### DESCRIPTION

Sign-extend a 16-bit Operand 2 value and store the result back to Operand 1. The value can be signed extended to 32 bits (EXTNDW32) or 64 bits (EXTNDW64).

### OPERATION

Operand 1  $\leftarrow$  (sign extended) Operand 2

**Table 130. EXTNDW Instruction Encoding**

BYTE	DESCRIPTION	
0	<b>Bit</b>	<b>Description</b>
	7	0 = Immediate/index absent 1 = Immediate/index present
	6	0 = 32-bit operation 1 = 64-bit operation
	0..5	Opcode = 0x1B
1	<b>Bit</b>	<b>Description</b>
	7	0 = Operand 2 direct 1 = Operand 2 indirect
	4..6	Operand 2
	3	0 = Operand 1 direct 1 = Operand 1 indirect
	0..2	Operand 1
2..3	Optional 16-bit immediate data/index	

### BEHAVIORS AND RESTRICTIONS

- If Operand 2 is indirect, then the immediate data is interpreted as an index, and the word value is fetched from memory as a signed value at address  $[R_2 + \text{Index16}]$ .
- If Operand 2 is direct, then the immediate data is considered a signed immediate value such that  $\text{Operand 2} = R_2 + \text{Immed16}$ , and the value is sign extended to 32 or 64 bits accordingly.
- If the instruction is EXTNDW32 and Operand 1 is direct, then the 32-bit result is stored in the Operand 1 register with the upper 32 bits cleared.

## JMP

### SYNTAX

JMP32{cslcc} {@}R<sub>1</sub> {Immed32|Index32}

JMP64{cslcc} Immed64

### DESCRIPTION

The JMP instruction is used to conditionally or unconditionally jump to a relative or absolute address and continue executing EBC instructions. The condition test is done using the condition bit in the VM **Flags** register. The JMP64 form only supports an immediate value that can be used for either a relative or absolute jump. The JMP32 form adds support for indirect addressing of the JMP offset or address. The JMP is implemented as:

```
if (ConditionMet) {
    if (Operand.RelativeJump) {
        IP += Operand1 + SizeOfThisInstruction;
    } else {
        IP = Operand1;
    }
}
```

### OPERATION

IP <= Operand 1 (absolute address)

IP <= IP + SizeOfThisInstruction + Operand 1 (relative address)

**Table 131. JMP Instruction Encoding**

BYTE	DESCRIPTION	
0	<b>Bit</b>	<b>Description</b>
	7	0 = Immediate/index data absent 1 = Immediate/index data present
	6	0 = JMP32 1 = JMP64
	0..5	Opcode = 0x01
1	<b>Bit</b>	<b>Description</b>
	7	0 = Unconditional jump 1 = Conditional jump
	6	0 = Jump if <b>Flags.C</b> is clear (cc) 1 = Jump if <b>Flags.C</b> is set (cs)
	5	Reserved = 0
	4	0 = Absolute address 1 = Relative address
	3	0 = Operand 1 direct 1 = Operand 1 indirect
	0..2	Operand 1
2..5	Optional 32-bit immediate data/index for JMP32	
2..9	64-bit immediate data for JMP64	

## BEHAVIORS AND RESTRICTIONS

- Operand 1 fields are ignored for the JMP64 forms
- If the instruction is JMP32, and Operand 1 register = **R0**, then the register contents are assumed to be 0.
- If the instruction is JMP32, and Operand 1 is indirect, then the immediate data is interpreted as an index, and the jump offset or address is fetched as a 32-bit signed value from address  $[R_1 + \text{Index32}]$
- If the instruction is JMP32, and Operand 1 is direct, then the immediate data is considered a signed immediate value such that  $\text{Operand 1} = R_1 + \text{Immed32}$
- If the jump is unconditional, then Byte1:Bit6 (condition) is ignored
- If the instruction is JMP64, and Byte0:Bit7 is clear (no immediate data), then an instruction encoding exception is generated.
- If the instruction is JMP32, and Operand 2 is indirect, then the Operand 2 value is read as a natural value from memory address  $[R_1 + \text{Index32}]$
- An alignment check exception is generated if the jump is taken and the target address is odd.

## JMP8

### SYNTAX

JMP8{cslcc} Immed8

### DESCRIPTION

Conditionally or unconditionally jump to a relative offset and continue execution. The offset is a signed one-byte offset specified in the number of words. The offset is relative to the start of the following instruction.

### OPERATION

$IP = IP + \text{SizeOfThisInstruction} + (\text{Immed8} * 2)$

**Table 132. JMP8 Instruction Encoding**

BYTE	DESCRIPTION	
0	<b>Bit</b>	<b>Description</b>
	7	0 = Unconditional jump 1 = Conditional jump
	6	0 = Jump if <b>Flags.C</b> is clear (cc) 1 = Jump if <b>Flags.C</b> is set (cs)
	0..5	Opcode = 0x02
1	Immediate data (signed word offset)	

### BEHAVIORS AND RESTRICTIONS

- If the jump is unconditional, then Byte0:Bit6 (condition) is ignored



## LOADSP

### SYNTAX

LOADSP [**Flags**], R<sub>2</sub>

### DESCRIPTION

This instruction loads a VM dedicated register with the contents of a VM general-purpose register **R0-R7**. The dedicated register is specified by its index as shown in Table 112.

### OPERATION

Operand 1  $\leftarrow$  R<sub>2</sub>

**Table 133. LOADSP Instruction Encoding**

BYTE	DESCRIPTION	
0	<b>Bit</b>	<b>Description</b>
	6..7	Reserved = 0
	0..5	Opcode = 0x29
1	7	Reserved
	4..6	Operand 2 general purpose register
	3	Reserved
	0..2	Operand 1 dedicated register index

### BEHAVIORS AND RESTRICTIONS

- Attempting to load any register (Operand 1) other than the **Flags** register results in an instruction encoding exception.
- Specifying a reserved dedicated register index results in an instruction encoding exception.
- If Operand 1 is the **Flags** register, then reserved bits in the **Flags** register are not modified by this instruction.

## MOD

### SYNTAX

MOD[32|64] { @ }R<sub>1</sub>, { @ }R<sub>2</sub> { Index16|Immed16 }

### DESCRIPTION

Perform a modulus on two signed 32-bit (MOD32) or 64-bit (MOD64) operands and store the result to Operand 1.

### OPERATION

Operand 1  $\leftarrow$  Operand 1 MOD Operand 2

**Table 134. MOD Instruction Encoding**

BYTE	DESCRIPTION	
0	<b>Bit</b>	<b>Description</b>
	7	0 = Immediate/index absent 1 = Immediate/index present
	6	0 = 32-bit operation 1 = 64-bit operation
	0..5	Opcode = 0x12
1	<b>Bit</b>	<b>Description</b>
	7	0 = Operand 2 direct 1 = Operand 2 indirect
	4..6	Operand 2
	3	0 = Operand 1 direct 1 = Operand 1 indirect
	0..2	Operand 1
2..3	Optional 16-bit immediate data/index	

### BEHAVIORS AND RESTRICTIONS

- If Operand 2 is indirect, then the immediate data is interpreted as an index, and the Operand 2 value is fetched from memory as a signed value at address  $[R_2 + \text{Index16}]$ .
- If Operand 2 is direct, then the immediate data is considered a signed immediate value such that  $\text{Operand 2} = R_2 + \text{Immed16}$ , and the value is sign extended to 32 or 64 bits accordingly.
- If  $\text{Operand 2} = 0$ , then a divide-by-zero exception is generated.

## MODU

### SYNTAX

MODU[32|64] { @ }R<sub>1</sub>, { @ }R<sub>2</sub> { Index16|Immed16 }

### DESCRIPTION

Perform a modulus on two unsigned 32-bit (MODU32) or 64-bit (MODU64) operands and store the result to Operand 1.

### OPERATION

Operand 1  $\leftarrow$  Operand 1 MOD Operand 2

**Table 135. MODU Instruction Encoding**

BYTE	DESCRIPTION	
0	<b>Bit</b>	<b>Description</b>
	7	0 = Immediate/index absent 1 = Immediate/index present
	6	0 = 32-bit operation 1 = 64-bit operation
	0..5	Opcode = 0x13
1	<b>Bit</b>	<b>Description</b>
	7	0 = Operand 2 direct 1 = Operand 2 indirect
	4..6	Operand 2
	3	0 = Operand 1 direct 1 = Operand 1 indirect
	0..2	Operand 1
2..3	Optional 16-bit immediate data/index	

### BEHAVIORS AND RESTRICTIONS

- If Operand 2 is indirect, then the immediate data is interpreted as an index, and the Operand 2 value is fetched from memory as an unsigned value at address  $[R_2 + \text{Index16}]$ .
- If Operand 2 is direct, then the immediate data is considered an unsigned immediate value such that  $\text{Operand 2} = R_2 + \text{Immed16}$ .
- If  $\text{Operand 2} = 0$ , then a divide-by-zero exception is generated.

## MOV

### SYNTAX

MOV[blwldlq]{wld} {@}R<sub>1</sub> {Index16|32}, {@}R<sub>2</sub> {Index16|32}

MOVqq {@}R<sub>1</sub> {Index64}, {@}R<sub>2</sub> {Index64}

### DESCRIPTION

This instruction moves data from Operand 2 to Operand 1. Both operands can be indexed, though both indexes are the same size. In the instruction syntax for the first form, the first variable character indicates the size of the data move, which can be 8 bits (b), 16 bits (w), 32 bits (d), or 64 bits (q). The optional character indicates the presence and size of the index value(s), which may be 16 bits (w) or 32 bits (d). The MOVqq instruction adds support for 64-bit indexes.

### OPERATION

Operand 1 <= Operand 2

**Table 136. MOV Instruction Encoding**

BYTE	DESCRIPTION	
0	<b>Bit</b>	<b>Description</b>
	7	0 = Operand 1 index absent 1 = Operand 1 index present
	6	0 = Operand 2 index absent 1 = Operand 2 index present
	0..5	0x1D = MOVbw opcode 0x1E = MOVww opcode 0x1F = MOVdw opcode 0x20 = MOVqw opcode 0x21 = MOVbd opcode 0x22 = MOVwd opcode 0x23 = MOVdd opcode 0x24 = MOVqd opcode 0x28 = MOVqq opcode
1	<b>Bit</b>	<b>Description</b>
	7	0 = Operand 2 direct 1 = Operand 2 indirect
	4..6	Operand 2
	3	0 = Operand 1 direct 1 = Operand 1 indirect
	0..2	Operand 1
2..3	Optional Operand 1 16-bit index	
2..3/4..5	Optional Operand 2 16-bit index	
2..5	Optional Operand 1 32-bit index	
2..5/6..9	Optional Operand 2 32-bit index	
2..9	Optional Operand 1 64-bit index (MOVqq)	
2..9/10..17	Optional Operand 2 64-bit index (MOVqq)	

## BEHAVIORS AND RESTRICTIONS

- If an index is specified for Operand 1, and Operand 1 is direct, then an instruction encoding exception is generated.

## MOVI

### SYNTAX

MOVI[blw|dlq][w|l|q] { @ }R<sub>i</sub> { Index16 }, Immed16|32|64

### DESCRIPTION

This instruction moves a signed immediate value to Operand 1. In the instruction syntax, the first variable character specifies the width of the move, which may be 8 bits (b), 16 bits (w), 32-bits (d), or 64 bits (q). The second variable character specifies the width of the immediate data, which may be 16 bits (w), 32 bits (d), or 64 bits (q).

### OPERATION

Operand 1 <= Operand 2

**Table 137. MOVI Instruction Encoding**

BYTE	DESCRIPTION	
0	<b>Bit</b>	<b>Description</b>
	6..7	0 = Reserved 1 = Immediate data is 16 bits (w) 2 = Immediate data is 32 bits (d) 3 = Immediate data is 64 bits (q)
	0..5	Opcode = 0x37
	<b>Bit</b>	<b>Description</b>
1	7	Reserved = 0
	6	0 = Operand 1 index absent 1 = Operand 1 index present
	4..5	0 = 8 bit (b) move 1 = 16 bit (w) move 2 = 32 bit (d) move 3 = 64 bit (q) move
	3	0 = Operand 1 direct 1 = Operand 1 indirect
	0..2	Operand 1
	2..3	Optional 16-bit index
2..3/4..5	16-bit immediate data	
2..5/4..7	32-bit immediate data	
2..9/4..11	64-bit immediate data	

## **BEHAVIORS AND RESTRICTIONS**

- Specifying an index value with Operand 1 direct results in an instruction encoding exception.
- If the immediate data is smaller than the move size, then the value is sign-extended to the width of the move.
- If Operand 1 is a register, then the value is stored to the register with bits beyond the move size cleared.

## MOVIn

### SYNTAX

MOVIn[wldlq] { @ }R<sub>i</sub> { Index16 }, Index16|32|64

### DESCRIPTION

This instruction moves an indexed value of form (+n,+c) to Operand 1. The index value is converted from (+n, +c) format to a signed offset per the encoding described in Table 114. The size of the Operand 2 index data can be 16 (w), 32 (d), or 64 (q) bits.

### OPERATION

Operand 1 <= Operand 2 (index value)

**Table 138. MOVIn Instruction Encoding**

BYTE	DESCRIPTION	
0	<b>Bit</b>	<b>Description</b>
	6..7	0 = Reserved 1 = Operand 2 index value is 16 bits (w) 2 = Operand 2 index value is 32 bits (d) 3 = Operand 2 index value is 64 bits (q)
	0..5	Opcode = 0x38
1	<b>Bit</b>	<b>Description</b>
	7	Reserved
	6	0 = Operand 1 index absent 1 = Operand 1 index present
	4..5	Reserved = 0
	3	0 = Operand 1 direct 1 = Operand 1 indirect
	0..2	Operand 1
2..3	Optional 16-bit Operand 1 index	
2..3/4..5	16-bit Operand 2 index	
2..5/4..7	32-bit Operand 2 index	
2..9/4..11	64-bit Operand 2 index	



## **BEHAVIORS AND RESTRICTIONS**

- Specifying an Operand 1 index when Operand 1 is direct results in an instruction encoding exception.
- The Operand 2 index is sign extended to the size of the move if necessary.
- If the Operand 2 index size is smaller than the move size, then the value is truncated.
- If Operand 1 is direct, then the Operand 2 value is sign extended to 64 bits and stored to the Operand 1 register.

## MOVn

### SYNTAX

MOVn{wld} { @ }R<sub>1</sub> {Index16|32}, { @ }R<sub>2</sub> {Index16|32}

### DESCRIPTION

This instruction loads an unsigned natural value from Operand 2 and stores the value to Operand 1. Both operands can be indexed, though both operand indexes are the same size. The operand index(s) can be 16 bits (w) or 32 bits (d).

### OPERATION

Operand1 <= (UINTN)Operand2

**Table 139. MOVn Instruction Encoding**

BYTE	DESCRIPTION	
0	<b>Bit</b>	<b>Description</b>
	7	0 = Operand 1 index absent 1 = Operand 1 index present
	6	0 = Operand 2 index absent 1 = Operand 2 index present
	0..5	0x32 = MOVnw opcode 0x33 = MOVnd opcode
	1	<b>Bit</b>
7		0 = Operand 2 direct 1 = Operand 2 indirect
4..6		Operand 2
3		0 = Operand 1 direct 1 = Operand 1 indirect
0..2		Operand 1
2..3	Optional Operand 1 16-bit index	
2..3/4..5	Optional Operand 2 16-bit index	
2..5	Optional Operand 1 32-bit index	
2..5/6..9	Optional Operand 2 32-bit index	

## BEHAVIORS AND RESTRICTIONS

- If an index is specified for Operand 2, and Operand 2 register is direct, then the Operand 2 index value is added to the register contents such that  $\text{Operand 2} = (\text{UINTN})(R_2 + \text{Index})$ .
- If an index is specified for Operand 1, and Operand 1 is direct, then an instruction encoding exception is generated.
- If Operand 1 is direct, then the Operand 2 value will be 0-extended to 64 bits on a 32-bit machine before storing to the Operand 1 register.

## MOVREL

### SYNTAX

MOVREL[*w|d|q*] {*@*}R<sub>1</sub> {Index16}, Immed16|32|64

### DESCRIPTION

This instruction fetches data at an **IP**-relative immediate offset (Operand 2) and stores the result to Operand 1. The offset is a signed offset relative to the following instruction. The fetched data is unsigned and may be 16 (*w*), 32 (*d*), or 64 (*q*) bits in size.

### OPERATION

Operand 1 <= [**IP** + SizeOfThisInstruction + Immed]

**Table 140. MOVREL Instruction Encoding**

BYTE	DESCRIPTION	
0	<b>Bit</b>	<b>Description</b>
	6..7	0 = Reserved 1 = Immediate data is 16 bits ( <i>w</i> ) 2 = Immediate data is 32 bits ( <i>d</i> ) 3 = Immediate data is 64 bits ( <i>q</i> )
	0..5	Opcode = 0x39
1	<b>Bit</b>	<b>Description</b>
	7	Reserved = 0
	6	0 = Operand 1 index absent 1 = Operand 1 index present
	4..5	Reserved = 0
	3	0 = Operand 1 direct 1 = Operand 1 indirect
	0..2	Operand 1
2..3	Optional 16-bit Operand 1 index	
2..3/4..5	16-bit immediate offset	
2..5/4..7	32-bit immediate offset	
2..9/4..11	64-bit immediate offset	

### BEHAVIORS AND RESTRICTIONS

- If an Operand 1 index is specified and Operand 1 is direct, then an instruction encoding exception is generated.

## MOVsn

### SYNTAX

MOVsn{w} { @ }R<sub>1</sub>, {Index16}, { @ }R<sub>2</sub> {Index16|Immed16}

MOVsn{d} { @ }R<sub>1</sub> {Index32}, { @ }R<sub>2</sub> {Index32|Immed32}

### DESCRIPTION

Moves a signed natural value from Operand 2 to Operand 1. Both operands can be indexed, though the indexes are the same size. Indexes can be either 16 bits (MOVsnw) or 32 bits (MOVsnd) in size.

### OPERATION

Operand 1 <= Operand 2

**Table 141. MOVsn Instruction Encoding**

BYTE	DESCRIPTION	
0	<b>Bit</b>	<b>Description</b>
	7	0 = Operand 1 index absent 1 = Operand 1 index present
	6	0 = Operand 2 index/immediate data absent 1 = Operand 2 index/immediate data present
	0..5	0x25 = MOVsnw opcode 0x26 = MOVsnd opcode
1	<b>Bit</b>	<b>Description</b>
	7	0 = Operand 2 direct 1 = Operand 2 indirect
	4..6	Operand 2
	3	0 = Operand 1 direct 1 = Operand 1 indirect
	0..2	Operand 1
2..3	Optional 16-bit Operand 1 index (MOVsnw)	
2..3/4..5	Optional 16-bit Operand 2 index (MOVsnw)	
2..5	Optional 32-bit Operand 1 index/immediate data (MOVsnd)	
2..5/6..9	Optional 32-bit Operand 2 index/immediate data (MOVsnd)	

## BEHAVIORS AND RESTRICTIONS

- If Operand 2 is direct, and Operand 2 index/immediate data is specified, then the immediate value is read as a signed immediate value and is added to the contents of Operand 2 register such that  $\text{Operand 2} = R_2 + \text{Immed}$ .
- If Operand 2 is indirect, and Operand 2 index/immediate data is specified, then the immediate data is interpreted as an index and the Operand 2 value is fetched from memory as a signed value at address  $[R_2 + \text{Index16}]$ .
- If an index is specified for Operand 1, and Operand 1 is direct, then an instruction encoding exception is generated.
- If Operand 1 is direct, then the Operand 2 value is sign-extended to 64-bits on 32-bit native machines.

## MUL

### SYNTAX

MUL[32|64] {@}R<sub>1</sub>, {@}R<sub>2</sub> {Index16|Immed16}

### DESCRIPTION

Perform a signed multiply of two operands and store the result back to Operand 1. The operands can be either 32 bits (MUL32) or 64 bits (MUL64).

### OPERATION

Operand 1  $\leftarrow$  Operand \* Operand 2

**Table 142. MUL Instruction Encoding**

BYTE	DESCRIPTION	
0	<b>Bit</b>	<b>Description</b>
	7	0 = Operand 2 immediate/index absent 1 = Operand 2 immediate/index present
	6	0 = 32-bit operation 1 = 64-bit operation
	0..5	Opcode = 0x0E
1	<b>Bit</b>	<b>Description</b>
	7	0 = Operand 2 direct 1 = Operand 2 indirect
	4..6	Operand 2
	3	0 = Operand 1 direct 1 = Operand 1 indirect
	0..2	Operand 1
2..3	Optional 16-bit Operand 2 immediate data/index	

### BEHAVIORS AND RESTRICTIONS

- If Operand 2 is indirect, then the immediate data is interpreted as an index, and the Operand 2 value is fetched from memory as a signed value at address  $[R_2 + \text{Index16}]$ .
- If Operand 2 is direct, then the immediate data is considered a signed immediate value and is added to the Operand 2 register contents such that  $\text{Operand 2} = R_2 + \text{Immed16}$ .
- If the instruction is MUL32, and Operand 1 is direct, then the result is stored to Operand 1 register with the upper 32 bits cleared.

## MULU

### SYNTAX

MULU[32|64] {@}R<sub>1</sub>, {@}R<sub>2</sub> {Index16|Immed16}

### DESCRIPTION

Performs an unsigned multiply of two 32-bit (MULU32) or 64-bit (MULU64) operands, and stores the result back to Operand 1.

### OPERATION

Operand 1  $\leftarrow$  Operand \* Operand 2

**Table 143. MULU Instruction Encoding**

BYTE	DESCRIPTION	
0	<b>Bit</b>	<b>Description</b>
	7	0 = Operand 2 immediate/index absent 1 = Operand 2 immediate/index present
	6	0 = 32-bit operation 1 = 64-bit operation
	0..5	Opcode = 0x0F
1	<b>Bit</b>	<b>Description</b>
	7	0 = Operand 2 direct 1 = Operand 2 indirect
	4..6	Operand 2
	3	0 = Operand 1 direct 1 = Operand 1 indirect
	0..2	Operand 1
2..3	Optional 16-bit immediate data/index	

### BEHAVIORS AND RESTRICTIONS

- If Operand 2 is indirect, then the immediate data is interpreted as an index, and the Operand 2 value is fetched from memory as an unsigned value at address  $[R_2 + \text{Index16}]$ .
- If Operand 2 is direct, then the immediate data is considered a signed immediate value and is added to the Operand 2 register contents such that  $\text{Operand 2} = R_2 + \text{Immed16}$ .
- If the instruction is MULU32 and Operand 1 is direct, then the result is written to the Operand 1 register with the upper 32 bits cleared.



## NEG

### SYNTAX

NEG[32|64] { @ }R<sub>1</sub>, { @ }R<sub>2</sub> { Index16|Immed16 }

### DESCRIPTION

Multiply Operand 2 by negative 1, and store the result back to Operand 1. Operand 2 is a signed value and fetched as either a 32-bit (NEG32) or 64-bit (NEG64) value.

### OPERATION

Operand 1  $\leftarrow$  -1 \* Operand 2

**Table 144. NEG Instruction Encoding**

BYTE	DESCRIPTION	
0	<b>Bit</b>	<b>Description</b>
	7	0 = Operand 2 immediate/index absent 1 = Operand 2 immediate/index present
	6	0 = 32-bit operation 1 = 64-bit operation
	0..5	Opcode = 0x0B
1	<b>Bit</b>	<b>Description</b>
	7	0 = Operand 2 direct 1 = Operand 2 indirect
	4..6	Operand 2
	3	0 = Operand 1 direct 1 = Operand 1 indirect
	0..2	Operand 1
2..3	Optional 16-bit immediate data/index	

### BEHAVIORS AND RESTRICTIONS

- If Operand 2 is indirect, then the immediate data is interpreted as an index, and the Operand 2 value is fetched from memory as a signed value at address  $[R_2 + \text{Index16}]$ .
- If Operand 2 is direct, then the immediate data is considered a signed immediate value and is added to the Operand 2 register contents such that  $\text{Operand 2} = R_2 + \text{Immed16}$ .
- If the instruction is NEG32 and Operand 1 is direct, then the result is stored in Operand 1 register with the upper 32-bits cleared.

## NOT

### SYNTAX

NOT[32|64] { @ }R<sub>1</sub>, { @ }R<sub>2</sub> { Index16|Immed16 }

### DESCRIPTION

Performs a logical NOT operation on Operand 2, an unsigned 32-bit (NOT32) or 64-bit (NOT64) value, and stores the result back to Operand 1.

### OPERATION

Operand 1  $\leftarrow$  NOT Operand 2

**Table 145. NOT Instruction Encoding**

BYTE	DESCRIPTION	
0	<b>Bit</b>	<b>Description</b>
	7	0 = Operand 2 immediate/index absent 1 = Operand 2 immediate/index present
	6	0 = 32-bit operation 1 = 64-bit operation
	0..5	Opcode = 0x0A
1	<b>Bit</b>	<b>Description</b>
	7	0 = Operand 2 direct 1 = Operand 2 indirect
	4..6	Operand 2
	3	0 = Operand 1 direct 1 = Operand 1 indirect
	0..2	Operand 1
2..3	Optional 16-bit immediate data/index	

### BEHAVIORS AND RESTRICTIONS

- If Operand 2 is indirect, then the immediate data is interpreted as an index, and the Operand 2 value is fetched from memory as an unsigned value at address  $[R_2 + \text{Index16}]$ .
- If Operand 2 is direct, then the immediate data is considered a signed immediate value and is added to the Operand 2 register contents such that  $\text{Operand 2} = R_2 + \text{Immed16}$ .
- If the instruction is NOT32 and Operand 1 is a register, then the result is stored in the Operand 1 register with the upper 32 bits cleared.

## OR

### SYNTAX

OR[32|64] {@}R<sub>1</sub>, {@}R<sub>2</sub> {Index16|Immed16}

### DESCRIPTION

Performs a bit-wise OR of two 32-bit (OR32) or 64-bit (OR64) operands, and stores the result back to Operand 1.

### OPERATION

Operand 1  $\leftarrow$  Operand 1 OR Operand 2

**Table 146. OR Instruction Encoding**

BYTE	DESCRIPTION	
0	<b>Bit</b>	<b>Description</b>
	7	0 = Operand 2 immediate/index absent 1 = Operand 2 immediate/index present
	6	0 = 32-bit operation 1 = 64-bit operation
	0..5	Opcode = 0x15
1	<b>Bit</b>	<b>Description</b>
	7	0 = Operand 2 direct 1 = Operand 2 indirect
	4..6	Operand 2
	3	0 = Operand 1 direct 1 = Operand 1 indirect
	0..2	Operand 1
2..3	Optional 16-bit immediate data/index	

### BEHAVIORS AND RESTRICTIONS

- If Operand 2 is indirect, then the immediate data is interpreted as an index, and the Operand 2 value is fetched from memory as an unsigned value at address  $[R_2 + \text{Index16}]$ .
- If Operand 2 is direct, then the immediate data is considered a signed immediate value and is added to the Operand 2 register contents such that  $\text{Operand 2} = R_2 + \text{Immed16}$ .
- If the instruction is OR32 and Operand 1 is direct, then the result is stored to Operand 1 register with the upper 32 bits cleared.

## POP

### SYNTAX

POP[32|64] { @ }R<sub>1</sub> { Index16|Immed16 }

### DESCRIPTION

This instruction pops a 32-bit (POP32) or 64-bit (POP64) value from the stack, stores the result to Operand 1, and adjusts the stack pointer **R0** accordingly.

### OPERATION

Operand 1  $\leftarrow$  [R0]

**R0**  $\leftarrow$  **R0** + 4 (POP32)

**R0**  $\leftarrow$  **R0** + 8 (POP64)

**Table 147. POP Instruction Encoding**

BYTE	DESCRIPTION	
0	<b>Bit</b>	<b>Description</b>
	7	0 = Immediate/index absent 1 = Immediate/index present
	6	0 = 32-bit operation 1 = 64-bit operation
	0..5	Opcode = 0x2C
1	<b>Bit</b>	<b>Description</b>
	7..4	Reserved = 0
	3	0 = Operand 1 direct 1 = Operand 1 indirect
	0..2	Operand 1
2..3	Optional 16-bit immediate data/index	

### BEHAVIORS AND RESTRICTIONS

- If Operand 1 is direct, and an index/immediate data is specified, then the immediate data is read as a signed value and is added to the value popped from the stack, and the result stored to the Operand 1 register.
- If Operand 1 is indirect, then the immediate data is interpreted as an index, and the value popped from the stack is stored to address [R<sub>1</sub> + Index16].
- If the instruction is POP32, and Operand 1 is direct, then the popped value is sign-extended to 64 bits before storing to the Operand 1 register.

## POPn

### SYNTAX

POPn { @}R<sub>i</sub> {Index16|Immed16}

### DESCRIPTION

Read an unsigned natural value from memory pointed to by stack pointer **R0**, adjust the stack pointer accordingly, and store the value back to Operand 1.

### OPERATION

Operand 1 <= (UINTN)[**R0**]

**R0** <= **R0** + sizeof (VOID \*)

**Table 148. POPn Instruction Encoding**

BYTE	DESCRIPTION	
0	<b>Bit</b>	<b>Description</b>
	7	0 = Immediate/index absent 1 = Immediate/index present
	6	Reserved = 0
	0..5	Opcode = 0x36
1	<b>Bit</b>	<b>Description</b>
	7..4	Reserved = 0
	3	0 = Operand 1 direct 1 = Operand 1 indirect
	0..2	Operand 1
2..3	Optional 16-bit immediate data/index	

### BEHAVIORS AND RESTRICTIONS

- If Operand 1 is direct, and an index/immediate data is specified, then the immediate data is fetched as a signed value and is added to the value popped from the stack and the result is stored back to the Operand 1 register.
- If Operand 1 is indirect, and an index/immediate data is specified, then the immediate data is interpreted as a natural index and the value popped from the stack is stored at [**R<sub>i</sub>** + Index16].
- If Operand 1 is direct, and the instruction is executed on a 32-bit machine, then the result is stored to the Operand 1 register with the upper 32 bits cleared.

## PUSH

### SYNTAX

PUSH[32|64] { @ }R<sub>1</sub> { Index16|Immed16 }

### DESCRIPTION

Adjust the stack pointer **R0** and store a 32-bit (PUSH32) or 64-bit (PUSH64) Operand 1 value on the stack.

### OPERATION

**R0** <= **R0** - 4 (PUSH32)

**R0** <= **R0** - 8 (PUSH64)

[**R0**] <= Operand 1

**Table 149. PUSH Instruction Encoding**

BYTE	DESCRIPTION	
0	<b>Bit</b>	<b>Description</b>
	7	0 = Immediate/index absent 1 = Immediate/index present
	6	0 = 32-bit operation 1 = 64-bit operation
	0..5	Opcode = 0x2B
1	<b>Bit</b>	<b>Description</b>
	7..4	Reserved = 0
	3	0 = Operand 1 direct 1 = Operand 1 indirect
	0..2	Operand 1
2..3	Optional 16-bit immediate data/index	

### BEHAVIORS AND RESTRICTIONS

- If Operand 1 is direct, and an index/immediate data is specified, then the immediate data is read as a signed value and is added to the Operand 1 register contents such that Operand 1 = R<sub>1</sub> + Immed16.
- If Operand 1 is indirect, and an index/immediate data is specified, then the immediate data is interpreted as a natural index and the pushed value is read from [R<sub>1</sub> + Index16].

## PUSHn

### SYNTAX

PUSHn { @ }R<sub>1</sub> { Index16|Immed16 }

### DESCRIPTION

Adjust the stack pointer **R0**, and store a natural value on the stack.

### OPERATION

**R0** <= **R0** - sizeof (VOID \*)

[**R0**] <= Operand 1

**Table 150. PUSHn Instruction Encoding**

BYTE	DESCRIPTION	
0	<b>Bit</b>	<b>Description</b>
	7	0 = Immediate/index absent 1 = Immediate/index present
	6	Reserved = 0
	0..5	Opcode = 0x35
1	<b>Bit</b>	<b>Description</b>
	7..4	Reserved = 0
	3	0 = Operand 1 direct 1 = Operand 1 indirect
	0..2	Operand 1
2..3	Optional 16-bit immediate data/index	

### BEHAVIORS AND RESTRICTIONS

- If Operand 1 is direct, and an index/immediate data is specified, then the immediate data is fetched as a signed value and is added to the Operand 1 register contents such that Operand 1 = R<sub>1</sub> + Immed16.
- If Operand 1 is indirect, and an index/immediate data is specified, then the immediate data is interpreted as a natural index and the Operand 1 value pushed is fetched from [R<sub>1</sub> + Index16].

## RET

### SYNTAX

RET

### DESCRIPTION

This instruction fetches the return address from the stack, sets the **IP** to the value, adjusts the stack pointer register **R0**, and continues execution at the return address. If the RET is a final return from the EBC driver, then execution control returns to the caller, which may be EBC or native code.

### OPERATION

**IP** <= [**R0**]

**R0** <= **R0** + 16

**Table 151. RET Instruction Encoding**

BYTE	DESCRIPTION	
0	Bit	Description
	6..7	Reserved = 0
	0..5	Opcode = 0x04
1	Reserved = 0	

### BEHAVIORS AND RESTRICTIONS

- An alignment exception will be generated if the return address is not aligned on a 16-bit boundary.



## SHL

### SYNTAX

SHL[32|64] {@}R<sub>1</sub>, {@}R<sub>2</sub> {Index16|Immed16}

### DESCRIPTION

Left-shifts Operand 1 by Operand 2 bit positions and stores the result back to Operand 1. The operand sizes may be either 32-bits (SHL32) or 64 bits (SHL64).

### OPERATION

Operand 1  $\leftarrow$  Operand 1  $\ll$  Operand 2

**Table 152. SHL Instruction Encoding**

BYTE	DESCRIPTION	
0	<b>Bit</b>	<b>Description</b>
	7	0 = Operand 2 immediate/index absent 1 = Operand 2 immediate/index present
	6	0 = 32-bit operation 1 = 64-bit operation
	0..5	Opcode = 0x17
1	<b>Bit</b>	<b>Description</b>
	7	0 = Operand 2 direct 1 = Operand 2 indirect
	4..6	Operand 2
	3	0 = Operand 1 direct 1 = Operand 1 indirect
	0..2	Operand 1
2..3	Optional 16-bit immediate data/index	

### BEHAVIORS AND RESTRICTIONS

- If Operand 2 is indirect, then the immediate data is interpreted as an index, and the Operand 2 value is fetched from memory as an unsigned value at address  $[R_2 + \text{Index16}]$ .
- If Operand 2 is direct, then the immediate data is considered a signed immediate value and is added to the Operand 2 register contents such that  $\text{Operand 2} = R_2 + \text{Immed16}$ .
- If the instruction is SHL32, and Operand 1 is direct, then the result is stored to the Operand 1 register with the upper 32 bits cleared.

## SHR

### SYNTAX

SHR[32|64] { @ }R<sub>1</sub>, { @ }R<sub>2</sub> { Index16|Immed16 }

### DESCRIPTION

Right-shifts unsigned Operand 1 by Operand 2 bit positions and stores the result back to Operand 1. The operand sizes may be either 32-bits (SHR32) or 64 bits (SHR64).

### OPERATION

Operand 1  $\ll$  Operand 1  $\gg$  Operand 2

**Table 153. SHR Instruction Encoding**

BYTE	DESCRIPTION	
0	<b>Bit</b>	<b>Description</b>
	7	0 = Operand 2 immediate/index absent 1 = Operand 2 immediate/index present
	6	0 = 32-bit operation 1 = 64-bit operation
	0..5	Opcode = 0x18
1	<b>Bit</b>	<b>Description</b>
	7	0 = Operand 2 direct 1 = Operand 2 indirect
	4..6	Operand 2
	3	0 = Operand 1 direct 1 = Operand 1 indirect
	0..2	Operand 1
2..3	Optional 16-bit immediate data/index	

### BEHAVIORS AND RESTRICTIONS

- If Operand 2 is indirect, then the immediate data is interpreted as an index, and the Operand 2 value is fetched from memory as an unsigned value at address  $[R_2 + \text{Index16}]$ .
- If Operand 2 is direct, then the immediate data is considered a signed immediate value and is added to the Operand 2 register contents such that  $\text{Operand 2} = R_2 + \text{Immed16}$ .
- If the instruction is SHR32, and Operand 1 is direct, then the result is stored to the Operand 1 register with the upper 32 bits cleared.

## STORESP

### SYNTAX

STORESP R<sub>1</sub>, [IP|Flags]

### DESCRIPTION

This instruction transfers the contents of a dedicated register to a general-purpose register. See Table 112 for the VM dedicated registers and their corresponding index values.

### OPERATION

Operand 1 <= Operand 2

**Table 154. STORESP Instruction Encoding**

BYTE	DESCRIPTION	
0	<b>Bit</b>	<b>Description</b>
	6..7	Reserved = 0
	0..5	Opcode = 0x2A
1	7	Reserved = 0
	4..6	Operand 2 dedicated register index
	3	Reserved = 0
	0..2	Operand 1 general purpose register

### BEHAVIORS AND RESTRICTIONS

- Specifying an invalid dedicated register index results in an instruction encoding exception.

## SUB

### SYNTAX

SUB[32|64] { @ }R<sub>1</sub>, { @ }R<sub>2</sub> { Index16|Immed16 }

### DESCRIPTION

Subtracts a 32-bit (SUB32) or 64-bit (SUB64) signed Operand 2 value from a signed Operand 1 value of the same size, and stores the result to Operand 1.

### OPERATION

Operand 1  $\leftarrow$  Operand 1 - Operand 2

**Table 155. SUB Instruction Encoding**

BYTE	DESCRIPTION	
0	<b>Bit</b>	<b>Description</b>
	7	0 = Operand 2 immediate/index absent 1 = Operand 2 immediate/index present
	6	0 = 32-bit operation 1 = 64-bit operation
	0..5	Opcode = 0x0D
1	<b>Bit</b>	<b>Description</b>
	7	0 = Operand 2 direct 1 = Operand 2 indirect
	4..6	Operand 2
	3	0 = Operand 1 direct 1 = Operand 1 indirect
	0..2	Operand 1
2..3	Optional 16-bit immediate data/index	

### BEHAVIORS AND RESTRICTIONS

- If Operand 2 is indirect, then the immediate data is interpreted as an index, and the Operand 2 value is fetched from memory as a signed value at address  $[R_2 + \text{Index16}]$ .
- If Operand 2 is direct, then the immediate data is considered a signed immediate value and is added to the Operand 2 register contents such that  $\text{Operand 2} = R_2 + \text{Immed16}$ .
- If the instruction is SUB32 and Operand 1 is direct, then the result is stored to the Operand 1 register with the upper 32 bits cleared.

## XOR

### SYNTAX

XOR[32|64] {@}R<sub>1</sub>, {@}R<sub>2</sub> {Index16|Immed16}

### DESCRIPTION

Performs a bit-wise exclusive OR of two 32-bit (XOR32) or 64-bit (XOR64) operands, and stores the result back to Operand 1.

### OPERATION

Operand 1  $\leftarrow$  Operand 1 XOR Operand 2

**Table 156. XOR Instruction Encoding**

BYTE	DESCRIPTION	
0	<b>Bit</b>	<b>Description</b>
	7	0 = Operand 2 immediate/index absent 1 = Operand 2 immediate/index present
	6	0 = 32-bit operation 1 = 64-bit operation
	0..5	Opcode = 0x16
1	<b>Bit</b>	<b>Description</b>
	7	0 = Operand 2 direct 1 = Operand 2 indirect
	4..6	Operand 2
	3	0 = Operand 1 direct 1 = Operand 1 indirect
	0..2	Operand 1
2..3	Optional 16-bit immediate data/index	

### BEHAVIORS AND RESTRICTIONS

- If Operand 2 is indirect, then the immediate data is interpreted as an index, and the Operand 2 value is fetched from memory as an unsigned value at address  $[R_2 + \text{Index16}]$ .
- If Operand 2 is direct, then the immediate data is considered a signed immediate value and is added to the Operand 2 register contents such that  $\text{Operand 2} = R_2 + \text{Immed16}$ .
- If the instruction is XOR32 and Operand 1 is direct, then the result is stored to the Operand 1 register with the upper 32-bits cleared.

## 19.9 Runtime and Software Conventions

### 19.9.1 Calling Outside VM

Calls can be made to routines in other modules that are native or in another VM. It is the responsibility of the calling VM to prepare the outgoing arguments correctly to make the call outside the VM. It is also the responsibility of the VM to prepare the incoming arguments correctly for the call from outside the VM. Calls outside the VM must use the [CALLEX](#) instruction.

### 19.9.2 Calling Inside VM

Calls inside VM can be made either directly using the [CALL](#) or CALLEX instructions. Using direct CALL instructions is an optimization.

### 19.9.3 Parameter Passing

Parameters are pushed on the VM stack per the CDECL calling convention. Per this convention, the last argument in the parameter list is pushed on the stack first, and the first argument in the parameter list is pushed on the stack last.

All parameters are stored or accessed as natural size (using naturally sized instruction) except 64-bit integers, which are pushed as 64-bit values. 32-bit integers are pushed as natural size (since they should be passed as 64-bit parameter values on 64-bit machines).

### 19.9.4 Return Values

Return values of 8 bytes or less in size are returned in general-purpose register **R7**. Return values larger than 8 bytes are not supported.

### 19.9.5 Binary Format

PE32+ format will be used for generating binaries for the VM. A VarBss section will be included in the binary image. All global and static variables will be placed in this section. The size of the section will be based on worst-case 64-bit pointers. Initialized data and pointers will also be placed in the VarBss section, with the compiler generating code to initialize the values at runtime.

## 19.10 Architectural Requirements

This section provides a high level overview of the architectural requirements that are necessary to support execution of EBC on a platform.

### **19.10.1 EBC Image Requirements**

All EBC images will be PE32+ format. Some minor additions to the format will be required to support EBC images. See the *Microsoft Portable Executable and Common Object File Format Specification* pointed to in the References appendix for details of this image file format.

A given EBC image must be executable on different platforms, independent of whether it is a 32- or 64-bit processor. All EBC images should be driver implementations.

### **19.10.2 EBC Execution Interfacing Requirements**

EBC drivers will typically be designed to execute in an (usually preboot) EFI environment. As such, EBC drivers must be able to invoke protocols and expose protocols for use by other drivers or applications. The following execution transitions must be supported:

- EBC calling EBC
- EBC calling native code
- Native code calling EBC
- Native code calling native code
- Returning from all the above transitions

Obviously native code calling native code is available by default, so is not discussed in this document.

To maintain backward compatibility with existing native code, and minimize the overhead for non-EBC drivers calling EBC protocols, all four transitions must be seamless from the application perspective. Therefore, drivers, whether EBC or native, shall not be required to have any knowledge of whether or not the calling code, or the code being called, is native or EBC compiled code. The onus is put on the tools and interpreter to support this requirement.

### **19.10.3 Interfacing Function Parameters Requirements**

To allow code execution across protocol boundaries, the interpreter must ensure that parameters passed across execution transitions are handled in the same manner as the standard parameter passing convention for the native processor.

### **19.10.4 Function Return Requirements**

The interpreter must support standard function returns to resume execution to the caller of external protocols. The details of this requirement are specific to the native processor. The called function must not be required to have any knowledge of whether or not the caller is EBC or native code.

### **19.10.5 Function Return Values Requirements**

The interpreter must support standard function return values from called protocols. The exact implementation of this functionality is dependent on the native processor. This requirement applies to return values of 64 bits or less. The called function must not be required to have any knowledge of whether or not the caller is EBC or native code. Note that returning of structures is not supported.

## **19.11 EBC Interpreter Protocol**

The EFI EBC protocol provides services to execute EBC images, which will typically be loaded into option ROMs.



## EFI\_EBC\_PROTOCOL

### Summary

This protocol provides the services that allow execution of EBC images.

### GUID

```
#define EFI_EBC_PROTOCOL_GUID \
    {0x13AC6DD1, 0x73D0, 0x11D4, 0xB0, 0x6B, 0x00, 0xAA, 0x00, 0xBD, \
     0x6D, 0xE7}
```

### Protocol Interface Structure

```
typedef struct _EFI_EBC_PROTOCOL {
    EFI_EBC_CREATE_THUNK           CreateThunk;
    EFI_EBC_UNLOAD_IMAGE           UnloadImage;
    EFI_EBC_REGISTER_ICACHE_FLUSH RegisterICacheFlush;
    EFI_EBC_GET_VERSION            GetVersion;
} EFI_EBC_PROTOCOL;
```

### Parameters

<i>CreateThunk</i>	Creates a thunk for an EBC image entry point or protocol service, and returns a pointer to the thunk. See the <a href="#">CreateThunk ()</a> function description.
<i>UnloadImage</i>	Called when an EBC image is unloaded to allow the interpreter to perform any cleanup associated with the image's execution. See the <a href="#">UnloadImage ()</a> function description.
<i>RegisterICacheFlush</i>	Called to register a callback function that the EBC interpreter can call to flush the processor instruction cache after creating thunks. See the <a href="#">RegisterICacheFlush ()</a> function description.
<i>GetVersion</i>	Called to get the version of the associated EBC interpreter. See the <a href="#">GetVersion ()</a> function description.

### Description

The EFI EBC protocol provides services to load and execute EBC images, which will typically be loaded into option ROMs. The image loader will load the EBC image, perform standard relocations, and invoke the [CreateThunk \(\)](#) service to create a thunk for the EBC image's entry point. The image can then be run using the standard EFI start image services.

## EFI\_EBC\_PROTOCOL.CreateThunk()

### Summary

Creates a thunk for an EBC entry point, returning the address of the thunk.

### Prototype

```
typedef
EFI_STATUS
(EFIAPI *EFI_EBC_CREATE_THUNK) (
    IN EFI_EBC_PROTOCOL      *This,
    IN EFI_HANDLE            ImageHandle,
    IN VOID                  *EbcEntryPoint,
    OUT VOID                 **Thunk
);
```

### Parameters

<i>This</i>	A pointer to the <b>EFI_EBC_PROTOCOL</b> instance. This protocol is defined in Section 19.11.
<i>ImageHandle</i>	Handle of image for which the thunk is being created.
<i>EbcEntryPoint</i>	Address of the actual EBC entry point or protocol service the thunk should call.
<i>Thunk</i>	Returned pointer to a thunk created.

### Description

A PE32+ EBC image, like any other PE32+ image, contains an optional header that specifies the entry point for image execution. However for EBC images this is the entry point of EBC instructions, so is not directly executable by the native processor. Therefore when an EBC image is loaded, the loader must call this service to get a pointer to native code (thunk) that can be executed which will invoke the interpreter to begin execution at the original EBC entry point.

### Status Codes Returned

EFI_SUCCESS	The function completed successfully.
EFI_INVALID_PARAMETER	Image entry point is not 2-byte aligned.
EFI_OUT_OF_RESOURCES	Memory could not be allocated for the thunk.

## EFI\_EBC\_PROTOCOL.UnloadImage()

### Summary

Called prior to unloading an EBC image from memory.

### Prototype

```
typedef
EFI_STATUS
(EFIAPI *EFI_EBC_UNLOAD_IMAGE) (
    IN EFI_EBC_PROTOCOL          *This,
    IN EFI_HANDLE                ImageHandle
);
```

### Parameters

*This*                      A pointer to the **EFI\_EBC\_PROTOCOL** instance. This protocol is defined in Section 19.11.

*ImageHandle*            Image handle of the EBC image that is being unloaded from memory.

### Description

This function is called after an EBC image has exited, but before the image is actually unloaded. It is intended to provide the interpreter with the opportunity to perform any cleanup that may be necessary as a result of loading and executing the image.

### Status Codes Returned

EFI_SUCCESS	The function completed successfully.
EFI_INVALID_PARAMETER	Image handle is not recognized as belonging to an EBC image that has been executed.

## EFI\_EBC\_PROTOCOL.RegisterICacheFlush()

### Summary

Registers a callback function that the EBC interpreter calls to flush the processor instruction cache following creation of thunks.

### Prototype

```
typedef
EFI_STATUS
(* EFI_EBC_REGISTER_ICACHE_FLUSH) (
    IN EFI_EBC_PROTOCOL           *This,
    IN EBC_ICACHE_FLUSH          Flush
);
```

### Parameters

*This* A pointer to the **EFI EBC PROTOCOL** instance. This protocol is defined in Section 19.11.

*Flush* Pointer to a function of type **EBC ICACH FLUSH**. See “Related Definitions” below for a detailed description of this type.

### Related Definitions

```
typedef
EFI_STATUS
(* EBC_ICACHE_FLUSH) (
    IN EFI_PHYSICAL_ADDRESS      Start,
    IN UINT64                    Length
);
```

*Start* The beginning physical address to flush from the processor’s instruction cache.

*Length* The number of bytes to flush from the processor’s instruction cache.

This is the prototype for the *Flush* callback routine. A pointer to a routine of this type is passed to the EBC **EFI\_EBC\_REGISTER\_ICACHE\_FLUSH** protocol service.

## Description

An EBC image's original PE32+ entry point is not directly executable by the native processor. Therefore to execute an EBC image, a thunk (which invokes the EBC interpreter for the image's original entry point) must be created for the entry point, and the thunk is executed when the EBC image is started. Since the thunks may be created on-the-fly in memory, the processor's instruction cache may require to be flushed after thunks are created. The caller to this EBC service can provide a pointer to a function to flush the instruction cache for any thunks created after the **CreateThunk()** service has been called. If an instruction-cache flush callback is not provided to the interpreter, then the interpreter assumes the system has no instruction cache, or that flushing the cache is not required following creation of thunks.

## Status Codes Returned

EFI_SUCCESS	The function completed successfully.
-------------	--------------------------------------

## EFI\_EBC\_PROTOCOL.GetVersion()

### Summary

Called to get the version of the interpreter.

### Prototype

```
typedef
EFI_STATUS
(* EFI_EBC_GET_VERSION) (
    IN EFI_EBC_PROTOCOL          *This,
    OUT UINT64                   *Version
);
```

### Parameters

*This* A pointer to the **EFI\_EBC\_PROTOCOL** instance. This protocol is defined in Section 19.11.

*Version* Pointer to where to store the returned version of the interpreter.

### Description

This function is called to get the version of the loaded EBC interpreter. The value and format of the returned version is identical to that returned by the EBC [BREAK](#) 1 instruction.

### Status Codes Returned

EFI_SUCCESS	The function completed successfully.
EFI_INVALID_PARAMETER	Version pointer is <b>NULL</b> .

## 19.12 EBC Tools

### 19.12.1 EBC C Compiler

This section describes the responsibilities of the EBC C compiler. To fully specify these responsibilities requires that the thunking mechanisms between EBC and native code be described.

### 19.12.2 C Coding Convention

The EBC C compiler supports only the C programming language. There is no support for C++, inline assembly, floating point types/operations, or C calling conventions other than CDECL.

Pointer type in C is supported only as 64-bit pointer. The code should be 64-bit pointer ready (not assign pointers to integers and vice versa).

The compiler does not support user-defined sections through pragmas.

Global variables containing pointers that are initialized will be put in the uninitialized VarBss section and the compiler will generate code to initialize these variables during load time. The code will be placed in an init text section. This compiler-generated code will be executed before the actual image entry point is executed.

### 19.12.3 EBC Interface Assembly Instructions

The EBC instruction set includes two forms of a [CALL](#) instruction that can be used to invoke external protocols. Their assembly language formats are:

#### **CALLEX Immed64**

**CALLEX32** {@}R<sub>i</sub> {Immed32}

Both forms can be used to invoke external protocols at an absolute address specified by the immediate data and/or register operand. The second form also supports jumping to code at a relative address. When one of these instructions is executed, the interpreter is responsible for thunking arguments and then jumping to the destination address. When the called function returns, code begins execution at the EBC instruction following the CALL instruction. The process by which this happens is called thunking. Later sections describe this operation in detail.

### 19.12.4 Stack Maintenance and Argument Passing

There are several EBC assembly instructions that directly manipulate the stack contents and stack pointer. These instructions operate on the EBC stack, not the interpreter stack. The instructions include the EBC [PUSH](#), [POP](#), [PUSHn](#), and [POPn](#), and all forms of the [MOV](#) instructions.

These instructions must adjust the EBC stack pointer in the same manner as equivalent instructions of the native instruction set. With this implementation, parameters pushed on the stack by an EBC driver can be accessed normally for stack-based native code. If native code expects parameters in registers, then the interpreter thunking process must transfer the arguments from EBC stack to the appropriate processor registers. The process would need to be reversed when native code calls EBC.

### 19.12.5 Native to EBC Arguments Calling Convention

The calling convention for arguments passed to EBC functions follows the standard CDECL calling convention. The arguments must be pushed as their native size. After the function arguments have been pushed on the stack, execution is passed to the called EBC function. The overhead of thinking the function parameters depends on the standard parameter passing convention for the host processor. The implementation of this functionality is left to the interpreter.

### 19.12.6 EBC to Native Arguments Calling Convention

When EBC makes function calls via function pointers, the EBC C compiler cannot determine whether the calls are to native code or EBC. It therefore assumes that the calls are to native code, and emits the appropriate EBC [CALLEX](#) instructions. To be compatible with calls to native code, the calling convention of EBC calling native code must follow the parameter passing convention of the native processor. The EBC C compiler generates EBC instructions that push all arguments on the stack. The interpreter is then responsible for performing the necessary thinking. The exact implementation of this functionality is left to the interpreter.

### 19.12.7 EBC to EBC Arguments Calling Convention

If the EBC C compiler is able to determine that a function call is to a local function, it can emit a standard EBC [CALL](#) instruction. In this case, the function arguments are passed as described in the other sections of this specification.

### 19.12.8 Function Returns

When EBC calls an external function, the thinking process includes setting up the host processor stack or registers such that when the called function returns, execution is passed back to the EBC at the instruction following the call. The implementation is left to the interpreter, but it must follow the standard function return process of the host processor. Typically this will require the interpreter to push the return address on the stack or move it to a processor register prior to calling the external function.

### 19.12.9 Function Return Values

EBC function return values of 8 bytes or less are returned in VM general-purpose register **R7**. Returning values larger than 8 bytes on the stack is not supported. Instead, the caller or callee must allocate memory for the return value, and the caller can pass a pointer to the callee, or the callee can return a pointer to the value in the standard return register **R7**.

If an EBC function returns to native code, then the interpreter thinking process is responsible for transferring the contents of **R7** to an appropriate location such that the caller has access to the value using standard native code. Typically the value will be transferred to a processor register. Conversely, if a native function returns to an EBC function, the interpreter is responsible for transferring the return value from the native return memory or register location into VM register **R7**.



## 19.12.10 Thunking

Thunking is the process by which transitions between execution of native and EBC are handled. The major issues that must be addressed for thunking are the handling of function arguments, how the external function is invoked, and how return values and function returns are handled. The following sections describe the thunking process for the possible transitions.

### 19.12.10.1 Thunking EBC to Native Code

By definition, all external calls from within EBC are calls to native code. The EBC [CALLEX](#) instructions are used to make these calls. A typical application for EBC calling native code would be a simple “Hello World” driver. For a UEFI driver, the code could be written as shown below.

```
EFI_STATUS EfiMain (
    IN EFI_HANDLE      ImageHandle,
    IN EFI_SYSTEM_TABLE *ST
)
{
    ST->ConOut->OutputString(ST->ConOut, L"Hello World!");
    return EFI_SUCCESS;
}
```

This C code, when compiled to EBC assembly, could result in two [PUSHn](#) instructions to push the parameters on the stack, some code to get the absolute address of the [OutputString\(\)](#) function, then a CALLEX instruction to jump to native code. Typical pseudo assembly code for the function call could be something like the following:

```
PUSHn    _HelloString
PUSHn    _ConOut
MOVnw    R1, _OutputString
CALLEX64 R1
```

The interpreter is responsible for executing the PUSHn instructions to push the arguments on the EBC stack when interpreting the PUSHn instructions. When the CALLEX instruction is encountered, it must thunk to external native code. The exact thunking mechanism is native processor dependent. For example, a supported 32-bit thunking implementation could simply move the system stack pointer to point to the EBC stack, then perform a [CALL](#) to the absolute address specified in VM register **R1**. However, the function calling convention for the Itanium processor family calls for the first 8 function arguments being passed in registers. Therefore, the Itanium processor family thunking mechanism requires the arguments to be copied from the EBC stack into processor registers. Then a CALL can be performed to jump to the absolute address in VM register **R1**. Note that since the interpreter is not aware of the number of arguments to the function being called, the maximum amount of data may be copied from the EBC stack into processor registers.

## 19.12.10.2 Thinking Native Code to EBC

An EBC driver may install protocols for use by other EBC drivers, or UEFI drivers or applications. These protocols provide the mechanism by which external native code can call EBC. Typical C code to install a generic protocol is shown below.

```
EFI_STATUS Foo(UINT32 Arg1, UINT32 Arg2);

MyProtInterface->Service1= Foo;

Status = LibInstallProtocolInterfaces (&Handle, &MyProtGUID,
MyProtInterface, NULL);
```

To support thinking native code to EBC, the EBC compiler resolves all EBC function pointers using one level of indirection. In this way, the address of an EBC function actually becomes the address of a piece of native (thunk) code that invokes the interpreter to execute the actual EBC function. As a result of this implementation, any time the address of an EBC function is taken, the EBC C compiler must generate the following:

- A 64-bit function pointer data object that contains the actual address of the EBC function
- EBC initialization code that is executed before the image entry point that will execute EBC [BREAK](#) 5 instructions to create thunks for each function pointer data object
- Associated relocations for the above

So for the above code sample, the compiler must generate EBC initialization code similar to the following. This code is executed prior to execution of the actual EBC driver's entry point.

```
MOVqq R7, Foo_pointer ; get address of Foo pointer
BREAK 5 ; create a thunk for the function
```

The BREAK instruction causes the interpreter to create native thunk code elsewhere in memory, and then modify the memory location pointed to by R7 to point to the newly created thunk code for EBC function Foo. From within EBC, when the address of Foo is taken, the address of the thunk is actually returned. So for the assignment of the protocol Service1 above, the EBC C compiler will generate something like the following:

```
MOVqq R7, Foo_pointer ; get address of Foo function pointer
MOVqq R7, @R7 ; one level of indirection
MOVn R6, _MyProtInterface->Service1 ; get address of variable
MOVqq @R6, R7 ; address of thunk to ->Service1
```

## 19.12.10.3 Thinking EBC to EBC

EBC can call EBC via function pointers or protocols. These two mechanisms are treated identically by the EBC C compiler, and are performed using EBC [CALLEX](#) instructions. For EBC to call EBC, the EBC being called must have provided the address of the function. As described above, the address is actually the address of native thunk code for the actual EBC function. Therefore, when EBC calls EBC, the interpreter assumes native code is being called so prepares function arguments accordingly, and then makes the call. The native thunk code assumes native code is calling EBC, so will basically “undo” the preparation of function arguments, and then invoke the interpreter to execute the actual EBC function of interest.

### 19.12.11 EBC Linker

New constants must be defined for use by the linker in processing EBC images. For EBC images, the linker must set the machine type in the PE file header accordingly to indicate that the image contains EBC.

```
#define IMAGE_FILE_MACHINE_EBC      0x0EBC
```

In addition, the linker must support EBC images with of the following subsystem types as set in a PE32+ optional header:

```
#define IMAGE_SUBSYSTEM_EFI_APPLICATION      10
#define IMAGE_SUBSYSTEM_EFI_BOOT_SERVICE_DRIVER  11
#define IMAGE_SUBSYSTEM_EFI_RUNTIME_DRIVER     12
```

For EFI EBC images and object files, the following relocation types must be supported:

```
// No relocations required
#define IMAGE_REL_EBC_ABSOLUTE      0x0000
// 32-bit address w/o image base
#define IMAGE_REL_EBC_ADDR32NB     0x0001
// 32-bit relative address from byte following relocs
#define IMAGE_REL_EBC_REL32       0x0002
// Section table index
#define IMAGE_REL_EBC_SECTION     0x0003
// Offset within section
#define IMAGE_REL_EBC_SECREL      0x0004
```

The ADDR32NB relocation is used internally to the linker when RVAs are emitted. It also is used for version resources which probably will not be used. The REL32 relocation is for PC relative addressing on code. The SECTION and SECREL relocations are used for debug information.

### 19.12.12 Image Loader

The EFI image loader is responsible for loading an executable image into memory and applying relocation information so that an image can execute at the address in memory where it has been loaded prior to execution of the image. For EBC images, the image loader must also invoke the interpreter protocol to create a thunk for the image entry point and return the address of this thunk. After loading the image in this manner, the image can be executed in the standard manner. To implement this functionality, only minor changes will be made to EFI service LoadImage(), and no changes should be made to StartImage().

After the image is unloaded, the EFI image load service must call the EBC UnloadImage() service to perform any cleanup to complete unloading of the image. Typically this will include freeing up any memory allocated for thunks for the image during load and execution.

### 19.12.13 Debug Support

The interpreter must support debugging in an EFI environment per the EFI debug support protocol.

## 19.13 VM Exception Handling

This section lists the different types of exceptions that the VM may assert during execution of an EBC image. If a debugger is attached to the EBC driver via the EFI debug support protocol, then the debugger should be able to capture and identify the exception type. If a debugger is not attached, then depending on the severity of the exception, the interpreter may do one of the following:

- Invoke the EFI ASSERT() macro, which will typically display an error message and halt the system
- Sit in a while(1) loop to hang the system
- Ignore the exception and continue execution of the image (minor exceptions only)

It is a platform policy decision as to the action taken in response to EBC exceptions. The following sections describe the exceptions that may be generated by the VM.

### 19.13.1 Divide By 0 Exception

A divide-by-0 exception can occur for the EBC instructions [DIV](#), [DIVU](#), [MOD](#), and [MODU](#).

### 19.13.2 Debug Break Exception

A debug break exception occurs if the VM encounters a [BREAK](#) instruction with a break code of 3.

### 19.13.3 Invalid Opcode Exception

An invalid opcode exception will occur if the interpreter encounters a reserved opcode during execution.

### 19.13.4 Stack Fault Exception

A stack fault exception can occur if the interpreter detects that function nesting within the interpreter or system interrupts was sufficient to potentially corrupt the EBC image's stack contents. This exception could also occur if the EBC driver attempts to adjust the stack pointer outside the range allocated to the driver.

### 19.13.5 Alignment Exception

An alignment exception can occur if the particular implementation of the interpreter does not support unaligned accesses to data or code. It may also occur if the stack pointer or instruction pointer becomes misaligned.

### 19.13.6 Instruction Encoding Exception

An instruction encoding exception can occur for the following:

- For some instructions, if an Operand 1 index is specified and Operand 1 is direct
- If an instruction encoding has reserved bits set to values other than 0
- If an instruction encoding has a field set to a reserved value.

### **19.13.7 Bad Break Exception**

A bad break exception occurs if the VM encounters a [BREAK](#) instruction with a break code of 0, or any other unrecognized or unsupported break code.

### **19.13.8 Undefined Exception**

An undefined exception can occur for other conditions detected by the VM. The cause of such an exception is dependent on the VM implementation, but will most likely include internal VM faults.

## **19.14 Option ROM Formats**

The new option ROM capability is designed to be a departure from the legacy method of formatting an option ROM. PCI local bus add-in cards are the primary targets for this design although support for future bus types will be added as necessary. EFI EBC drivers can be stored in option ROMs or on hard drives in an EFI system partition.

The new format defined for the UEFI specification is intended to coexist with legacy format PCI Expansion ROM images. This provides the ability for IHVs to make a single option ROM binary that contains both legacy and new format images at the same time. This is important for the ability to have single add-in card SKUs that can work in a variety of systems both with and without native support for UEFI. Support for multiple image types in this way provides a smooth migration path during the period before widespread adoption of UEFI drivers as the primary means of support for software needed to accomplish add-in card operation in the pre-OS boot timeframe.

### **19.14.1 EFI Drivers for PCI Add-in Cards**

The location mechanism for UEFI drivers in PCI option ROM containers is described fully in Section 10.3. Readers should refer to this section for complete details of the scheme and associated data structures.

### **19.14.2 Non-PCI Bus Support**

EFI expansion ROMs are not supported on any other bus besides PCI local bus in the current revision of the UEFI specification.

This means that support for UEFI drivers in legacy ISA add-in card ROMs is explicitly excluded.

Support for UEFI drivers to be located on add-in card type devices for future bus designs other than PCI local bus will be added to future revisions of the uEFI specification. This support will depend upon the specifications that govern such new bus designs with respect to the mechanisms defined for support of driver code on devices.



## Network Protocols — SNP, PXE and BIS

---

### 20.1 EFI\_SIMPLE\_NETWORK\_PROTOCOL

This section defines the Simple Network Protocol. This protocol provides a packet level interface to a network adapter.

### EFI\_SIMPLE\_NETWORK\_PROTOCOL

#### Summary

The `EFI_SIMPLE_NETWORK_PROTOCOL` provides services to initialize a network interface, transmit packets, receive packets, and close a network interface.

#### GUID

```
#define EFI_SIMPLE_NETWORK_PROTOCOL_GUID \
    {0xA19832B9, 0xAC25, 0x11D3, 0x9A2D, 0x00, 0x90, 0x27, 0x3f, 0xc1, 0x4d}
```

#### Revision Number

```
#define EFI_SIMPLE_NETWORK_PROTOCOL_REVISION    0x00010000
```

#### Protocol Interface Structure

```
typedef struct _EFI_SIMPLE_NETWORK_PROTOCOL_ {
    UINT64                Revision;
    EFI_SIMPLE_NETWORK_START Start;
    EFI_SIMPLE_NETWORK_STOP Stop;
    EFI_SIMPLE_NETWORK_INITIALIZE Initialize;
    EFI_SIMPLE_NETWORK_RESET Reset;
    EFI_SIMPLE_NETWORK_SHUTDOWN Shutdown;
    EFI_SIMPLE_NETWORK_RECEIVE_FILTERS ReceiveFilters;
    EFI_SIMPLE_NETWORK_STATION_ADDRESS StationAddress;
    EFI_SIMPLE_NETWORK_STATISTICS Statistics;
    EFI_SIMPLE_NETWORK_MCAST_IP_TO_MAC MCastIpToMac;
    EFI_SIMPLE_NETWORK_NVDATA NvData;
    EFI_SIMPLE_NETWORK_GET_STATUS GetStatus;
    EFI_SIMPLE_NETWORK_TRANSMIT Transmit;
    EFI_SIMPLE_NETWORK_RECEIVE Receive;
    EFI_EVENT              WaitForPacket;
    EFI_SIMPLE_NETWORK_MODE *Mode;
} EFI_SIMPLE_NETWORK_PROTOCOL;
```

## Parameters

<i>Revision</i>	Revision of the <b>EFI_SIMPLE_NETWORK_PROTOCOL</b> . All future revisions must be backwards compatible. If a future version is not backwards compatible it is not the same GUID.
<i>Start</i>	Prepares the network interface for further command operations. No other <b>EFI_SIMPLE_NETWORK_PROTOCOL</b> interface functions will operate until this call is made. See the <b><u>Start()</u></b> function description.
<i>Stop</i>	Stops further network interface command processing. No other <b>EFI_SIMPLE_NETWORK_PROTOCOL</b> interface functions will operate after this call is made until another <b>Start()</b> call is made. See the <b><u>Stop()</u></b> function description.
<i>Initialize</i>	Resets the network adapter and allocates the transmit and receive buffers. See the <b><u>Initialize()</u></b> function description.
<i>Reset</i>	Resets the network adapter and reinitializes it with the parameters provided in the previous call to <b>Initialize()</b> . See the <b><u>Reset()</u></b> function description.
<i>Shutdown</i>	Resets the network adapter and leaves it in a state safe for another driver to initialize. The memory buffers assigned in the <b>Initialize()</b> call are released. After this call, only the <b>Initialize()</b> or <b>Stop()</b> calls may be used. See the <b><u>Shutdown()</u></b> function description.
<i>ReceiveFilters</i>	Enables and disables the receive filters for the network interface and, if supported, manages the filtered multicast HW MAC (Hardware Media Access Control) address list. See the <b><u>ReceiveFilters()</u></b> function description.
<i>StationAddress</i>	Modifies or resets the current station address, if supported. See the <b><u>StationAddress()</u></b> function description.
<i>Statistics</i>	Collects statistics from the network interface and allows the statistics to be reset. See the <b><u>Statistics()</u></b> function description.
<i>MCastIpToMac</i>	Maps a multicast IP address to a multicast HW MAC address. See the <b><u>MCastIpToMac()</u></b> function description.
<i>NvData</i>	Reads and writes the contents of the NVRAM devices attached to the network interface. See the <b><u>NvData()</u></b> function description.
<i>GetStatus</i>	Reads the current interrupt status and the list of recycled transmit buffers from the network interface. See the <b><u>GetStatus()</u></b> function description.
<i>Transmit</i>	Places a packet in the transmit queue. See the <b><u>Transmit()</u></b> function description.
<i>Receive</i>	Retrieves a packet from the receive queue, along with the status flags that describe the packet type. See the <b><u>Receive()</u></b> function description.
<i>WaitForPacket</i>	Event used with <b><u>WaitForEvent()</u></b> to wait for a packet to be received.



*Mode*

Pointer to the [EFI\\_SIMPLE\\_NETWORK\\_MODE](#) data for the device. See “Related Definitions” below.

## Related Definitions

```
//*****
// EFI_SIMPLE_NETWORK_MODE
//
// Note that the fields in this data structure are read-only and
// are updated by the code that produces the
EFI_SIMPLE_NETWORK_PROTOCOL
// functions. All these fields must be discovered
// during driver initialization.
//*****
typedef struct {
    UINT32                State;
    UINT32                HwAddressSize;
    UINT32                MediaHeaderSize;
    UINT32                MaxPacketSize;
    UINT32                NvRamSize;
    UINT32                NvRamAccessSize;
    UINT32                ReceiveFilterMask;
    UINT32                ReceiveFilterSetting;
    UINT32                MaxMCastFilterCount;
    UINT32                MCastFilterCount;
    EFI_MAC_ADDRESS       MCastFilter[MAX_MCAST_FILTER_CNT];
    EFI_MAC_ADDRESS       CurrentAddress;
    EFI_MAC_ADDRESS       BroadcastAddress;
    EFI_MAC_ADDRESS       PermanentAddress;
    UINT8                 IfType;
    BOOLEAN                MacAddressChangeable;
    BOOLEAN                MultipleTxSupported;
    BOOLEAN                MediaPresentSupported;
    BOOLEAN                MediaPresent;
} EFI_SIMPLE_NETWORK_MODE;
```

*State* Reports the current state of the network interface (see [EFI\\_SIMPLE\\_NETWORK\\_STATE](#) below). When an [EFI\\_SIMPLE\\_NETWORK\\_PROTOCOL](#) driver initializes a network interface, the network interface is left in the **EfiSimpleNetworkStopped** state.

*HwAddressSize* The size, in bytes, of the network interface’s HW address.

*MediaHeaderSize* The size, in bytes, of the network interface’s media header.

*MaxPacketSize* The maximum size, in bytes, of the packets supported by the network interface.

*NvRamSize* The size, in bytes, of the NVRAM device attached to the network interface. If an NVRAM device is not attached to the network interface, then this field will be zero. This value must be a multiple of *NvramAccessSize*.

*NvRamAccessSize* The size that must be used for all NVRAM reads and writes. The start address for NVRAM read and write operations and the total length of those operations, must be a multiple of this value. The legal values for this field are 0, 1, 2, 4, and 8. If the value is zero, then no NVRAM devices are attached to the network interface.

*ReceiveFilterMask* The multicast receive filter settings supported by the network interface.

*ReceiveFilterSetting* The current multicast receive filter settings. See “Bit Mask Values for *ReceiveFilterSetting*” below.

*MaxMCastFilterCount* The maximum number of multicast address receive filters supported by the driver. If this value is zero, then *ReceiveFilters()* cannot modify the multicast address receive filters. This field may be less than **MAX\_MCAST\_FILTER\_CNT** (see below).

*MCastFilterCount* The current number of multicast address receive filters.

*MCastFilter* Array containing the addresses of the current multicast address receive filters.

*CurrentAddress* The current HW MAC address for the network interface.

*BroadcastAddress* The current HW MAC address for broadcast packets.

*PermanentAddress* The permanent HW MAC address for the network interface.

*IfType* The interface type of the network interface. See RFC 1700, section “Number Hardware Type.”

*MacAddressChangeable* **TRUE** if the HW MAC address can be changed.

*MultipleTxSupported* **TRUE** if the network interface can transmit more than one packet at a time.

*MediaPresentSupported* **TRUE** if the presence of media can be determined; otherwise **FALSE**. If **FALSE**, *MediaPresent* cannot be used.

*MediaPresent* **TRUE** if media are connected to the network interface; otherwise **FALSE**. This field is only valid immediately after calling **Initialize()**.

```

//*****
// EFI_SIMPLE_NETWORK_STATE
//*****
typedef enum {

```

```

    EfiSimpleNetworkStopped,
    EfiSimpleNetworkStarted,
    EfiSimpleNetworkInitialized,
    EfiSimpleNetworkMaxState
} EFI_SIMPLE_NETWORK_STATE;

//*****
// MAX_MCAST_FILTER_CNT
//*****
#define MAX_MCAST_FILTER_CNT          16

//*****
// Bit Mask Values for ReceiveFilterSetting. bit mask values
//
// Note that all other bit values are reserved.
//*****
#define EFI_SIMPLE_NETWORK_RECEIVE_UNICAST          0x01
#define EFI_SIMPLE_NETWORK_RECEIVE_MULTICAST      0x02
#define EFI_SIMPLE_NETWORK_RECEIVE_BROADCAST      0x04
#define EFI_SIMPLE_NETWORK_RECEIVE_PROMISCUOUS    0x08
#define EFI_SIMPLE_NETWORK_RECEIVE_PROMISCUOUS_MULTICAST  0x10

```

## Description

The **EFI\_SIMPLE\_NETWORK\_PROTOCOL** protocol is used to initialize access to a network adapter. Once the network adapter initializes, the **EFI\_SIMPLE\_NETWORK\_PROTOCOL** protocol provides services that allow packets to be transmitted and received. This provides a packet level interface that can then be used by higher level drivers to produce boot services like DHCP, TFTP, and MFTFTP. In addition, this protocol can be used as a building block in a full UDP and TCP/IP implementation that can produce a wide variety of application level network interfaces. See the *Preboot Execution Environment (PXE) Specification* for more information.

## Implementation Note

---

*The underlying network hardware may only be able to access 4 GB (32-bits) of system memory. Any requests to transfer data to/from memory above 4 GB with 32-bit network hardware will be double-buffered (using intermediate buffers below 4 GB) and will reduce performance.*

---

## EFI\_SIMPLE\_NETWORK.Start()

### Summary

Changes the state of a network interface from “stopped” to “started.”

### Prototype

```
typedef
EFI_STATUS
(EFIAPI *EFI_SIMPLE_NETWORK_START) (
    IN EFI_SIMPLE_NETWORK_PROTOCOL      *This
);
```

### Parameters

*This* A pointer to the EFI\_SIMPLE\_NETWORK\_PROTOCOL instance.

### Description

This function starts a network interface. If the network interface successfully starts, then **EFI\_SUCCESS** will be returned.

### Status Codes Returned

EFI_SUCCESS	The network interface was started.
EFI_ALREADY_STARTED	The network interface is already in the started state.
EFI_INVALID_PARAMETER	<i>This</i> parameter was <b>NULL</b> or did not point to a valid <u>EFI_SIMPLE_NETWORK_PROTOCOL</u> structure.
EFI_DEVICE_ERROR	The command could not be sent to the network interface.
EFI_UNSUPPORTED	This function is not supported by the network interface.

## EFI\_SIMPLE\_NETWORK.Stop()

### Summary

Changes the state of a network interface from “started” to “stopped.”

### Prototype

```
typedef
EFI_STATUS
(EFIAPI *EFI_SIMPLE_NETWORK_STOP) (
    IN EFI_SIMPLE_NETWORK_PROTOCOL      *This
);
```

### Parameters

*This* A pointer to the EFI\_SIMPLE\_NETWORK\_PROTOCOL instance.

### Description

This function stops a network interface. This call is only valid if the network interface is in the started state. If the network interface was successfully stopped, then **EFI\_SUCCESS** will be returned.

### Status Codes Returned

EFI_SUCCESS	The network interface was stopped.
EFI_NOT_STARTED	The network interface has not been started.
EFI_INVALID_PARAMETER	<i>This</i> parameter was <b>NULL</b> or did not point to a valid <u>EFI_SIMPLE_NETWORK_PROTOCOL</u> structure.
EFI_DEVICE_ERROR	The command could not be sent to the network interface.
EFI_UNSUPPORTED	This function is not supported by the network interface.

## EFI\_SIMPLE\_NETWORK.Initialize()

### Summary

Resets a network adapter and allocates the transmit and receive buffers required by the network interface; optionally, also requests allocation of additional transmit and receive buffers.

### Prototype

```
typedef
EFI_STATUS
(EFI_API *EFI_SIMPLE_NETWORK_INITIALIZE) (
    IN EFI_SIMPLE_NETWORK_PROTOCOL      *This,
    IN UINTN                            ExtraRxBufferSize      OPTIONAL,
    IN UINTN                            ExtraTxBufferSize      OPTIONAL
);
```

### Parameters

<i>This</i>	A pointer to the <b>EFI_SIMPLE_NETWORK_PROTOCOL</b> instance.
<i>ExtraRxBufferSize</i>	The size, in bytes, of the extra receive buffer space that the driver should allocate for the network interface. Some network interfaces will not be able to use the extra buffer, and the caller will not know if it is actually being used.
<i>ExtraTxBufferSize</i>	The size, in bytes, of the extra transmit buffer space that the driver should allocate for the network interface. Some network interfaces will not be able to use the extra buffer, and the caller will not know if it is actually being used.

### Description

This function allocates the transmit and receive buffers required by the network interface. If this allocation fails, then **EFI\_OUT\_OF\_RESOURCES** is returned. If the allocation succeeds and the network interface is successfully initialized, then **EFI\_SUCCESS** will be returned.

### Status Codes Returned

EFI_SUCCESS	The network interface was initialized.
EFI_NOT_STARTED	The network interface has not been started.
EFI_OUT_OF_RESOURCES	There was not enough memory for the transmit and receive buffers.
EFI_INVALID_PARAMETER	<i>This</i> parameter was <b>NULL</b> or did not point to a valid <b>EFI_SIMPLE_NETWORK_PROTOCOL</b> structure.
EFI_DEVICE_ERROR	The command could not be sent to the network interface.
EFI_UNSUPPORTED	The increased buffer size feature is not supported.

## EFI\_SIMPLE\_NETWORK.Reset()

### Summary

Resets a network adapter and reinitializes it with the parameters that were provided in the previous call to **Initialize()**.

### Prototype

```
typedef
EFI_STATUS
(EFIAPI *EFI_SIMPLE_NETWORK_RESET) (
    IN EFI_SIMPLE_NETWORK_PROTOCOL *This,
    IN BOOLEAN ExtendedVerification
);
```

### Parameters

*This* A pointer to the **EFI\_SIMPLE\_NETWORK\_PROTOCOL** instance.

*ExtendedVerification* Indicates that the driver may perform a more exhaustive verification operation of the device during reset.

### Description

This function resets a network adapter and reinitializes it with the parameters that were provided in the previous call to **Initialize()**. The transmit and receive queues are emptied and all pending interrupts are cleared. Receive filters, the station address, the statistics, and the multicast-IP-to-HW MAC addresses are not reset by this call. If the network interface was successfully reset, then **EFI\_SUCCESS** will be returned. If the driver has not been initialized, **EFI\_DEVICE\_ERROR** will be returned.

### Status Codes Returned

EFI_SUCCESS	The network interface was reset.
EFI_NOT_STARTED	The network interface has not been started.
EFI_INVALID_PARAMETER	One or more of the parameters has an unsupported value.
EFI_DEVICE_ERROR	The command could not be sent to the network interface.
EFI_UNSUPPORTED	This function is not supported by the network interface.





## EFI\_SIMPLE\_NETWORK.ReceiveFilters()

### Summary

Manages the multicast receive filters of a network interface.

### Prototype

```
typedef
EFI_STATUS
(EFIAPI *EFI_SIMPLE_NETWORK_RECEIVE_FILTERS) (
    IN EFI_SIMPLE_NETWORK_PROTOCOL          *This,
    IN UINT32                               Enable,
    IN UINT32                               Disable,
    IN BOOLEAN                             ResetMCastFilter,
    IN UINTN                                MCastFilterCnt OPTIONAL,
    IN EFI_MAC_ADDRESS                     *MCastFilter    OPTIONAL,
);
```

### Parameters

<i>This</i>	A pointer to the <b>EFI SIMPLE NETWORK PROTOCOL</b> instance.
<i>Enable</i>	A bit mask of receive filters to enable on the network interface.
<i>Disable</i>	A bit mask of receive filters to disable on the network interface. For backward compatibility with EFI 1.1 platforms, the <code>EFI_SIMPLE_NETWORK_RECEIVE_MULTICAST</code> bit must be set when the <i>ResetMCastFilter</i> parameter is <b>TRUE</b> .
<i>ResetMCastFilter</i>	Set to <b>TRUE</b> to reset the contents of the multicast receive filters on the network interface to their default values.
<i>MCastFilterCnt</i>	Number of multicast HW MAC addresses in the new <i>MCastFilter</i> list. This value must be less than or equal to the <i>MCastFilterCnt</i> field of <b>EFI SIMPLE NETWORK MODE</b> . This field is optional if <i>ResetMCastFilter</i> is <b>TRUE</b> .
<i>MCastFilter</i>	A pointer to a list of new multicast receive filter HW MAC addresses. This list will replace any existing multicast HW MAC address list. This field is optional if <i>ResetMCastFilter</i> is <b>TRUE</b> .

### Description

This function is used enable and disable the hardware and software receive filters for the underlying network device.

The receive filter change is broken down into three steps:

- The filter mask bits that are set (ON) in the Enable parameter are added to the current receive filter settings.

- The filter mask bits that are set (ON) in the Disable parameter are subtracted from the updated receive filter settings.
- If the resulting receive filter setting is not supported by the hardware a more liberal setting is selected.

If the same bits are set in the Enable and Disable parameters, then the bits in the Disable parameter takes precedence.

If the ResetMCastFilter parameter is **TRUE**, then the multicast address list filter is disabled (irregardless of what other multicast bits are set in the Enable and Disable parameters). The Snp->Mode->MCastFilterCount field is set to zero. The Snp->Mode->MCastFilter contents are undefined.

After enabling or disabling receive filter settings, software should verify the new settings by checking the Snp->Mode->ReceiveFilterSettings, Snp->Mode->MCastFilterCount and Snp->Mode->MCastFilter fields.

**Note:** Some network drivers and/or devices will automatically promote receive filter settings if the requested setting can not be honored. For example, if a request for four multicast addresses is made and the underlying hardware only supports two multicast addresses the driver might set the promiscuous or promiscuous multicast receive filters instead. The receiving software is responsible for discarding any extra packets that get through the hardware receive filters.

**Note:** To disable all receive filter hardware, the network driver must be Shutdown() and Stopped(). Calling ReceiveFilters() with Disable set to Snp->Mode->ReceiveFilterSettings will make it so no more packets are returned by the Receive() function, but the receive hardware may still be moving packets into system memory before inspecting and discarding them. Unexpected system errors, reboots and hangs can occur if an OS is loaded and the network devices are not Shutdown() and Stopped().

If *ResetMCastFilter* is **TRUE**, then the multicast receive filter list on the network interface will be reset to the default multicast receive filter list. If *ResetMCastFilter* is **FALSE**, and this network interface allows the multicast receive filter list to be modified, then the *MCastFilterCnt* and *MCastFilter* are used to update the current multicast receive filter list. The modified receive filter list settings can be found in the *MCastFilter* field of **EFI\_SIMPLE\_NETWORK\_MODE**. If the network interface does not allow the multicast receive filter list to be modified, then **EFI\_INVALID\_PARAMETER** will be returned. If the driver has not been initialized, **EFI\_DEVICE\_ERROR** will be returned.

If the receive filter mask and multicast receive filter list have been successfully updated on the network interface, **EFI\_SUCCESS** will be returned.

## Status Codes Returned

EFI_SUCCESS	The multicast receive filter list was updated.
EFI_NOT_STARTED	The network interface has not been started.
EFI_INVALID_PARAMETER	<ul style="list-style-type: none"> <li>• One or more of the following conditions is <b>TRUE</b>:</li> <li>• <i>This</i> is <b>NULL</b></li> <li>• There are bits set in Enable that are not set in Snp-&gt;Mode-&gt;ReceiveFilterMask</li> <li>• There are bits set in Disable that are not set in Snp-&gt;Mode-&gt;ReceiveFilterMask</li> <li>• Multicast is being enabled (the <b>EFI_SIMPLE_NETWORK_RECEIVE_MULTICAST</b> bit is set in Enable, it is not set in Disable, and <i>ResetMCastFilter</i> is <b>FALSE</b>) and <i>MCastFilterCount</i> is zero</li> <li>• Multicast is being enabled and <i>MCastFilterCount</i> is greater than Snp-&gt;Mode-&gt;MaxMCastFilterCount</li> <li>• Multicast is being enabled and <i>MCastFilter</i> is <b>NULL</b></li> <li>• Multicast is being enabled and one or more of the addresses in the <i>MCastFilter</i> list are not valid multicast MAC addresses</li> </ul>
EFI_DEVICE_ERROR	<ul style="list-style-type: none"> <li>• One or more of the following conditions is <b>TRUE</b>:</li> <li>• The network interface has been started but has not been initialized</li> <li>• An unexpected error was returned by the underlying network driver or device</li> </ul>
EFI_UNSUPPORTED	This function is not supported by the network interface.

## EFI\_SIMPLE\_NETWORK.StationAddress()

### Summary

Modifies or resets the current station address, if supported.

### Prototype

```
typedef
EFI_STATUS
(EFIAPI *EFI_SIMPLE_NETWORK_STATION_ADDRESS) (
    IN EFI_SIMPLE_NETWORK_PROTOCOL      *This,
    IN BOOLEAN                          Reset,
    IN EFI_MAC_ADDRESS                  *New    OPTIONAL
);
```

### Parameters

<i>This</i>	A pointer to the <b>EFI_SIMPLE_NETWORK_PROTOCOL</b> instance.
<i>Reset</i>	Flag used to reset the station address to the network interface's permanent address.
<i>New</i>	New station address to be used for the network interface.

### Description

This function modifies or resets the current station address of a network interface, if supported. If *Reset* is **TRUE**, then the current station address is set to the network interface's permanent address. If *Reset* is **FALSE**, and the network interface allows its station address to be modified, then the current station address is changed to the address specified by *New*. If the network interface does not allow its station address to be modified, then **EFI\_INVALID\_PARAMETER** will be returned. If the station address is successfully updated on the network interface, **EFI\_SUCCESS** will be returned. If the driver has not been initialized, **EFI\_DEVICE\_ERROR** will be returned.

### Status Codes Returned

EFI_SUCCESS	The network interface's station address was updated.
EFI_NOT_STARTED	The Simple Network Protocol interface has not been started by calling <b>Start()</b> .
EFI_INVALID_PARAMETER	The <i>New</i> station address was not accepted by the NIC.
EFI_INVALID_PARAMETER	<i>Reset</i> is <b>FALSE</b> and <i>New</i> is <b>NULL</b> .
EFI_DEVICE_ERROR	The Simple Network Protocol interface has not been initialized by calling <b>Initialize()</b> .
EFI_DEVICE_ERROR	An error occurred attempting to set the new station address.
EFI_UNSUPPORTED	The NIC does not support changing the network interface's station address.

## EFI\_SIMPLE\_NETWORK.Statistics()

### Summary

Resets or collects the statistics on a network interface.

### Prototype

```
typedef
EFI_STATUS
(EFIAPI *EFI_SIMPLE_NETWORK_STATISTICS) (
    IN EFI_SIMPLE_NETWORK_PROTOCOL      *This,
    IN BOOLEAN                          Reset,
    IN OUT UINTN                         *StatisticsSize      OPTIONAL,
    OUT EFI_NETWORK_STATISTICS          *StatisticsTable     OPTIONAL
);
```

### Parameters

<i>This</i>	A pointer to the <u>EFI_SIMPLE_NETWORK_PROTOCOL</u> instance.
<i>Reset</i>	Set to <b>TRUE</b> to reset the statistics for the network interface.
<i>StatisticsSize</i>	On input the size, in bytes, of <i>StatisticsTable</i> . On output the size, in bytes, of the resulting table of statistics.
<i>StatisticsTable</i>	A pointer to the <u>EFI_NETWORK_STATISTICS</u> structure that contains the statistics. Type <u>EFI_NETWORK_STATISTICS</u> is defined in “Related Definitions” below.

### Related Definitions

```
/*******
// EFI_NETWORK_STATISTICS
//
// Any statistic value that is -1 is not available
// on the device and is to be ignored.
//*****
typedef struct {
    UINT64      RxTotalFrames;
    UINT64      RxGoodFrames;
    UINT64      RxUndersizeFrames;
    UINT64      RxOversizeFrames;
    UINT64      RxDroppedFrames;
    UINT64      RxUnicastFrames;
    UINT64      RxBroadcastFrames;
    UINT64      RxMulticastFrames;
    UINT64      RxCrcErrorFrames;
```

```

    UINT64          RxTotalBytes;
    UINT64          TxTotalFrames;
    UINT64          TxGoodFrames;
    UINT64          TxUndersizeFrames;
    UINT64          TxOversizeFrames;
    UINT64          TxDroppedFrames;
    UINT64          TxUnicastFrames;
    UINT64          TxBroadcastFrames;
    UINT64          TxMulticastFrames;
    UINT64          TxCrcErrorFrames;
    UINT64          TxTotalBytes;
    UINT64          Collisions;
    UINT64          UnsupportedProtocol;
} EFI_NETWORK_STATISTICS;

```

<i>RxTotalFrames</i>	Total number of frames received. Includes frames with errors and dropped frames.
<i>RxGoodFrames</i>	Number of valid frames received and copied into receive buffers.
<i>RxUndersizeFrames</i>	Number of frames below the minimum length for the communications device.
<i>RxOversizeFrames</i>	Number of frames longer than the maximum length for the communications device.
<i>RxDroppedFrames</i>	Valid frames that were dropped because receive buffers were full.
<i>RxUnicastFrames</i>	Number of valid unicast frames received and not dropped.
<i>RxBroadcastFrames</i>	Number of valid broadcast frames received and not dropped.
<i>RxMulticastFrames</i>	Number of valid multicast frames received and not dropped.
<i>RxCrcErrorFrames</i>	Number of frames with CRC or alignment errors.
<i>RxTotalBytes</i>	Total number of bytes received. Includes frames with errors and dropped frames.
<i>TxTotalFrames</i>	Total number of frames transmitted. Includes frames with errors and dropped frames.
<i>TxGoodFrames</i>	Number of valid frames transmitted and copied into receive buffers.
<i>TxUndersizeFrames</i>	Number of frames below the minimum length for the media. This would be less than 64 for Ethernet.
<i>TxOversizeFrames</i>	Number of frames longer than the maximum length for the media. This would be greater than 1500 for Ethernet.
<i>TxDroppedFrames</i>	Valid frames that were dropped because receive buffers were full.

<i>TxUnicastFrames</i>	Number of valid unicast frames transmitted and not dropped.
<i>TxBroadcastFrames</i>	Number of valid broadcast frames transmitted and not dropped.
<i>TxMulticastFrames</i>	Number of valid multicast frames transmitted and not dropped.
<i>TxCrcErrorFrames</i>	Number of frames with CRC or alignment errors.
<i>TxTotalBytes</i>	Total number of bytes transmitted. Includes frames with errors and dropped frames.
<i>Collisions</i>	Number of collisions detected on this subnet.
<i>UnsupportedProtocol</i>	Number of frames destined for unsupported protocol.

## Description

This function resets or collects the statistics on a network interface. If the size of the statistics table specified by *StatisticsSize* is not big enough for all the statistics that are collected by the network interface, then a partial buffer of statistics is returned in *StatisticsTable*, *StatisticsSize* is set to the size required to collect all the available statistics, and **EFI\_BUFFER\_TOO\_SMALL** is returned.

If *StatisticsSize* is big enough for all the statistics, then *StatisticsTable* will be filled, *StatisticsSize* will be set to the size of the returned *StatisticsTable* structure, and **EFI\_SUCCESS** is returned. If the driver has not been initialized, **EFI\_DEVICE\_ERROR** will be returned.

If *Reset* is **FALSE**, and both *StatisticsSize* and *StatisticsTable* are **NULL**, then no operations will be performed, and **EFI\_SUCCESS** will be returned.

If *Reset* is **TRUE**, then all of the supported statistics counters on this network interface will be reset to zero.

## Status Codes Returned

EFI_SUCCESS	The requested operation succeeded.
EFI_NOT_STARTED	The Simple Network Protocol interface has not been started by calling <b>Start()</b> .
EFI_BUFFER_TOO_SMALL	<i>StatisticsSize</i> is not <b>NULL</b> and <i>StatisticsTable</i> is <b>NULL</b> . The current buffer size that is needed to hold all the statistics is returned in <i>StatisticsSize</i> .
EFI_BUFFER_TOO_SMALL	<i>StatisticsSize</i> is not <b>NULL</b> and <i>StatisticsTable</i> is not <b>NULL</b> . The current buffer size that is needed to hold all the statistics is returned in <i>StatisticsSize</i> . A partial set of statistics is returned in <i>StatisticsTable</i> .
EFI_INVALID_PARAMETER	<i>StatisticsSize</i> is <b>NULL</b> and <i>StatisticsTable</i> is not <b>NULL</b> .
EFI_DEVICE_ERROR	The Simple Network Protocol interface has not been initialized by calling <b>Initialize()</b> .
EFI_DEVICE_ERROR	An error was encountered collecting statistics from the NIC.
EFI_UNSUPPORTED	The NIC does not support collecting statistics from the network interface.

## EFI\_SIMPLE\_NETWORK.MCastIPtoMAC()

### Summary

Converts a multicast IP address to a multicast HW MAC address.

### Prototype

```
typedef
EFI_STATUS
(EFIAPI *EFI_SIMPLE_NETWORK_MCAST_IP_TO_MAC) (
    IN EFI_SIMPLE_NETWORK_PROTOCOL      *This,
    IN BOOLEAN                          IPv6,
    IN EFI_IP_ADDRESS                   *IP,
    OUT EFI_MAC_ADDRESS                 *MAC
);
```

### Parameters

<i>This</i>	A pointer to the <u>EFI_SIMPLE_NETWORK_PROTOCOL</u> instance.
<i>IPv6</i>	Set to <b>TRUE</b> if the multicast IP address is IPv6 [RFC 2460]. Set to <b>FALSE</b> if the multicast IP address is IPv4 [RFC 791].
<i>IP</i>	The multicast IP address that is to be converted to a multicast HW MAC address.
<i>MAC</i>	The multicast HW MAC address that is to be generated from <i>IP</i> .

### Description

This function converts a multicast IP address to a multicast HW MAC address for all packet transactions. If the mapping is accepted, then **EFI\_SUCCESS** will be returned.

### Status Codes Returned

EFI_SUCCESS	The multicast IP address was mapped to the multicast HW MAC address.
EFI_NOT_STARTED	The Simple Network Protocol interface has not been started by calling <b>Start()</b> .
EFI_INVALID_PARAMETER	<i>IP</i> is <b>NULL</b> .
EFI_INVALID_PARAMETER	<i>MAC</i> is <b>NULL</b> .
EFI_INVALID_PARAMETER	<i>IP</i> does not point to a valid IPv4 or IPv6 multicast address.
EFI_DEVICE_ERROR	The Simple Network Protocol interface has not been initialized by calling <b>Initialize()</b> .
EFI_UNSUPPORTED	<i>IPv6</i> is <b>TRUE</b> and the implementation does not support IPv6 multicast to MAC address conversion.



## EFI\_SIMPLE\_NETWORK.NvData()

### Summary

Performs read and write operations on the NVRAM device attached to a network interface.

### Prototype

```
typedef
EFI_STATUS
(EFIAPI *EFI_SIMPLE_NETWORK_NVDATA) (
    IN EFI_SIMPLE_NETWORK_PROTOCOL    *This
    IN BOOLEAN                        ReadWrite,
    IN UINTN                           Offset,
    IN UINTN                           BufferSize,
    IN OUT VOID                         *Buffer
);
```

### Parameters

<i>This</i>	A pointer to the <u>EFI_SIMPLE_NETWORK_PROTOCOL</u> instance.
<i>ReadWrite</i>	<b>TRUE</b> for read operations, <b>FALSE</b> for write operations.
<i>Offset</i>	Byte offset in the NVRAM device at which to start the read or write operation. This must be a multiple of <i>NvRamAccessSize</i> and less than <i>NvRamSize</i> . (See <u>EFI_SIMPLE_NETWORK_MODE</u> )
<i>BufferSize</i>	The number of bytes to read or write from the NVRAM device. This must also be a multiple of <i>NvramAccessSize</i> .
<i>Buffer</i>	A pointer to the data buffer.

### Description

This function performs read and write operations on the NVRAM device attached to a network interface. If *ReadWrite* is **TRUE**, a read operation is performed. If *ReadWrite* is **FALSE**, a write operation is performed.

*Offset* specifies the byte offset at which to start either operation. *Offset* must be a multiple of *NvRamAccessSize*, and it must have a value between zero and *NvRamSize*.

*BufferSize* specifies the length of the read or write operation. *BufferSize* must also be a multiple of *NvRamAccessSize*, and *Offset* + *BufferSize* must not exceed *NvRamSize*.

If any of the above conditions is not met, then **EFI\_INVALID\_PARAMETER** will be returned.

If all the conditions are met and the operation is “read,” the NVRAM device attached to the network interface will be read into *Buffer* and **EFI\_SUCCESS** will be returned. If this is a write operation, the contents of *Buffer* will be used to update the contents of the NVRAM device attached to the network interface and **EFI\_SUCCESS** will be returned.

## Status Codes Returned

EFI_SUCCESS	The NVRAM access was performed.
EFI_NOT_STARTED	The network interface has not been started.
EFI_INVALID_PARAMETER	<p>One or more of the following conditions is <b>TRUE</b>:</p> <ul style="list-style-type: none"> <li>• The <i>This</i> parameter is <b>NULL</b></li> <li>• The <i>This</i> parameter does not point to a valid <b>EFI_SIMPLE_NETWORK_PROTOCOL</b> structure</li> <li>• The <i>Offset</i> parameter is not a multiple of <b>EFI_SIMPLE_NETWORK_MODE.NvRamAccessSize</b></li> <li>• The <i>Offset</i> parameter is not less than <b>EFI_SIMPLE_NETWORK_MODE.NvRamSize</b></li> <li>• The <i>BufferSize</i> parameter is not a multiple of <b>EFI_SIMPLE_NETWORK_MODE.NvRamAccessSize</b></li> </ul> <p>The <i>Buffer</i> parameter is <b>NULL</b></p>
EFI_DEVICE_ERROR	The command could not be sent to the network interface.
EFI_UNSUPPORTED	This function is not supported by the network interface.

## EFI\_SIMPLE\_NETWORK.GetStatus()

### Summary

Reads the current interrupt status and recycled transmit buffer status from a network interface.

### Prototype

```
typedef
EFI_STATUS
(EFIAPI *EFI_SIMPLE_NETWORK_GET_STATUS) (
    IN EFI_SIMPLE_NETWORK_PROTOCOL      *This,
    OUT UINT32                          *InterruptStatus    OPTIONAL,
    OUT VOID                             **TxBuf            OPTIONAL
);
```

### Parameters

<i>This</i>	A pointer to the <u>EFI SIMPLE NETWORK PROTOCOL</u> instance.
<i>InterruptStatus</i>	A pointer to the bit mask of the currently active interrupts (see “Related Definitions”). If this is <b>NULL</b> , the interrupt status will not be read from the device. If this is not <b>NULL</b> , the interrupt status will be read from the device. When the interrupt status is read, it will also be cleared. Clearing the transmit interrupt does not empty the recycled transmit buffer array.
<i>TxBuf</i>	Recycled transmit buffer address. The network interface will not transmit if its internal recycled transmit buffer array is full. Reading the transmit buffer does not clear the transmit interrupt. If this is <b>NULL</b> , then the transmit buffer status will not be read. If there are no transmit buffers to recycle and <i>TxBuf</i> is not <b>NULL</b> , * <i>TxBuf</i> will be set to <b>NULL</b> .

### Related Definitions

```
/**
// *****
// Interrupt Bit Mask Settings for InterruptStatus.
// Note that all other bit values are reserved.
// *****
#define EFI_SIMPLE_NETWORK_RECEIVE_INTERRUPT      0x01
#define EFI_SIMPLE_NETWORK_TRANSMIT_INTERRUPT    0x02
#define EFI_SIMPLE_NETWORK_COMMAND_INTERRUPT     0x04
#define EFI_SIMPLE_NETWORK_SOFTWARE_INTERRUPT    0x08
```

## Description

This function gets the current interrupt and recycled transmit buffer status from the network interface. The interrupt status is returned as a bit mask in *InterruptStatus*. If *InterruptStatus* is **NULL**, the interrupt status will not be read. If *TxBuf* is not **NULL**, a recycled transmit buffer address will be retrieved. If a recycled transmit buffer address is returned in *TxBuf*, then the buffer has been successfully transmitted, and the status for that buffer is cleared. If the status of the network interface is successfully collected, **EFI\_SUCCESS** will be returned. If the driver has not been initialized, **EFI\_DEVICE\_ERROR** will be returned.

## Status Codes Returned

EFI_SUCCESS	The status of the network interface was retrieved.
EFI_NOT_STARTED	The network interface has not been started.
EFI_INVALID_PARAMETER	<i>This</i> parameter was <b>NULL</b> or did not point to a valid <b>EFI_SIMPLE_NETWORK_PROTOCOL</b> structure.
EFI_DEVICE_ERROR	The command could not be sent to the network interface.

## EFI\_SIMPLE\_NETWORK.Transmit()

### Summary

Places a packet in the transmit queue of a network interface.

### Prototype

```
typedef
EFI_STATUS
(EFIAPI *EFI_SIMPLE_NETWORK_TRANSMIT) (
    IN EFI_SIMPLE_NETWORK_PROTOCOL          *This
    IN UINTN                                HeaderSize,
    IN UINTN                                BufferSize,
    IN VOID                                  *Buffer,
    IN EFI_MAC_ADDRESS                      *SrcAddr      OPTIONAL,
    IN EFI_MAC_ADDRESS                      *DestAddr     OPTIONAL,
    IN UINT16                               *Protocol     OPTIONAL,
);
```

### Parameters

<i>This</i>	A pointer to the <u>EFI_SIMPLE_NETWORK_PROTOCOL</u> instance.
<i>HeaderSize</i>	The size, in bytes, of the media header to be filled in by the <b>Transmit()</b> function. If <i>HeaderSize</i> is nonzero, then it must be equal to <i>This-&gt;Mode-&gt;MediaHeaderSize</i> and the <i>DestAddr</i> and <i>Protocol</i> parameters must not be <b>NULL</b> .
<i>BufferSize</i>	The size, in bytes, of the entire packet (media header and data) to be transmitted through the network interface.
<i>Buffer</i>	A pointer to the packet (media header followed by data) to be transmitted. This parameter cannot be <b>NULL</b> . If <i>HeaderSize</i> is zero, then the media header in <i>Buffer</i> must already be filled in by the caller. If <i>HeaderSize</i> is nonzero, then the media header will be filled in by the <b>Transmit()</b> function.
<i>SrcAddr</i>	The source HW MAC address. If <i>HeaderSize</i> is zero, then this parameter is ignored. If <i>HeaderSize</i> is nonzero and <i>SrcAddr</i> is <b>NULL</b> , then <i>This-&gt;Mode-&gt;CurrentAddress</i> is used for the source HW MAC address.
<i>DestAddr</i>	The destination HW MAC address. If <i>HeaderSize</i> is zero, then this parameter is ignored.
<i>Protocol</i>	The type of header to build. If <i>HeaderSize</i> is zero, then this parameter is ignored. See RFC 1700, section “Ether Types,” for examples.

## Description

This function places the packet specified by *Header* and *Buffer* on the transmit queue. If *HeaderSize* is nonzero and *HeaderSize* is not equal to *This->Mode->MediaHeaderSize*, then **EFI\_INVALID\_PARAMETER** will be returned. If *BufferSize* is less than *This->Mode->MediaHeaderSize*, then **EFI\_BUFFER\_TOO\_SMALL** will be returned. If *Buffer* is **NULL**, then **EFI\_INVALID\_PARAMETER** will be returned. If *HeaderSize* is nonzero and *DestAddr* or *Protocol* is **NULL**, then **EFI\_INVALID\_PARAMETER** will be returned. If the transmit engine of the network interface is busy, then **EFI\_NOT\_READY** will be returned. If this packet can be accepted by the transmit engine of the network interface, the packet contents specified by *Buffer* will be placed on the transmit queue of the network interface, and **EFI\_SUCCESS** will be returned. **GetStatus()** can be used to determine when the packet has actually been transmitted. The contents of the *Buffer* must not be modified until the packet has actually been transmitted.

The **Transmit()** function performs nonblocking I/O. A caller who wants to perform blocking I/O, should call **Transmit()**, and then **GetStatus()** until the transmitted buffer shows up in the recycled transmit buffer.

If the driver has not been initialized, **EFI\_DEVICE\_ERROR** will be returned.

## Status Codes Returned

EFI_SUCCESS	The packet was placed on the transmit queue.
EFI_NOT_STARTED	The network interface has not been started.
EFI_NOT_READY	The network interface is too busy to accept this transmit request.
EFI_BUFFER_TOO_SMALL	The <i>BufferSize</i> parameter is too small.
EFI_INVALID_PARAMETER	One or more of the parameters has an unsupported value.
EFI_DEVICE_ERROR	The command could not be sent to the network interface.
EFI_UNSUPPORTED	This function is not supported by the network interface.

## EFI\_SIMPLE\_NETWORK.Receive()

### Summary

Receives a packet from a network interface.

### Prototype

```
typedef
EFI_STATUS
(EFIAPI *EFI_SIMPLE_NETWORK_RECEIVE) (
    IN EFI_SIMPLE_NETWORK_PROTOCOL          *This
    OUT UINTN                               *HeaderSize    OPTIONAL,
    IN OUT UINTN                             *BufferSize,
    OUT VOID                                 *Buffer,
    OUT EFI_MAC_ADDRESS                      *SrcAddr       OPTIONAL,
    OUT EFI_MAC_ADDRESS                      *DestAddr      OPTIONAL,
    OUT UINT16                               *Protocol      OPTIONAL
);
```

### Parameters

<i>This</i>	A pointer to the <u>EFI_SIMPLE_NETWORK_PROTOCOL</u> instance.
<i>HeaderSize</i>	The size, in bytes, of the media header received on the network interface. If this parameter is <b>NULL</b> , then the media header size will not be returned.
<i>BufferSize</i>	On entry, the size, in bytes, of <i>Buffer</i> . On exit, the size, in bytes, of the packet that was received on the network interface.
<i>Buffer</i>	A pointer to the data buffer to receive both the media header and the data.
<i>SrcAddr</i>	The source HW MAC address. If this parameter is <b>NULL</b> , the HW MAC source address will not be extracted from the media header.
<i>DestAddr</i>	The destination HW MAC address. If this parameter is <b>NULL</b> , the HW MAC destination address will not be extracted from the media header.
<i>Protocol</i>	The media header type. If this parameter is <b>NULL</b> , then the protocol will not be extracted from the media header. See RFC 1700 section “Ether Types” for examples.

## Description

This function retrieves one packet from the receive queue of a network interface. If there are no packets on the receive queue, then **EFI\_NOT\_READY** will be returned. If there is a packet on the receive queue, and the size of the packet is smaller than *BufferSize*, then the contents of the packet will be placed in *Buffer*, and *BufferSize* will be updated with the actual size of the packet. In addition, if *SrcAddr*, *DestAddr*, and *Protocol* are not **NULL**, then these values will be extracted from the media header and returned. **EFI\_SUCCESS** will be returned if a packet was successfully received. If *BufferSize* is smaller than the received packet, then the size of the receive packet will be placed in *BufferSize* and **EFI\_BUFFER\_TOO\_SMALL** will be returned. If the driver has not been initialized, **EFI\_DEVICE\_ERROR** will be returned.

## Status Codes Returned

EFI_SUCCESS	The received data was stored in <i>Buffer</i> , and <i>BufferSize</i> has been updated to the number of bytes received.
EFI_NOT_STARTED	The network interface has not been started.
EFI_NOT_READY	No packets have been received on the network interface.
EFI_BUFFER_TOO_SMALL	<i>BufferSize</i> is too small for the received packets. <i>BufferSize</i> has been updated to the required size.
EFI_INVALID_PARAMETER	One or more of the following conditions is <b>TRUE</b> : <ul style="list-style-type: none"><li>• The <i>This</i> parameter is <b>NULL</b></li><li>• The <i>This</i> parameter does not point to a valid <b>EFI_SIMPLE_NETWORK_PROTOCOL</b> structure.</li><li>• The <i>BufferSize</i> parameter is <b>NULL</b></li><li>• The <i>Buffer</i> parameter is <b>NULL</b></li></ul>
EFI_DEVICE_ERROR	The command could not be sent to the network interface.



## 20.2 Network Interface Identifier Protocol

This is an optional protocol that is used to describe details about the software layer that is used to produce the Simple Network Protocol. This protocol is only required if the underlying network interface is 16-bit UNDI, 32/64-bit S/W UNDI, or H/W UNDI. It is used to obtain type and revision information about the underlying network interface.

An instance of the Network Interface Identifier protocol must be created for each physical external network interface that is controlled by the !PXE structure. The !PXE structure is defined in the 32/64-bit UNDI Specification in Appendix E.

### EFI\_NETWORK\_INTERFACE\_IDENTIFIER\_PROTOCOL

#### Summary

An optional protocol that is used to describe details about the software layer that is used to produce the Simple Network Protocol.

#### GUID

```
#define EFI_NETWORK_INTERFACE_IDENTIFIER_PROTOCOL_GUID \
    {0xE18541CD, 0xF755, 0x4f73, 0x928D, 0x64, 0x3C, 0x8A, 0x79, 0xB2, \
     0x29}
```

#### Revision Number

```
#define EFI_NETWORK_INTERFACE_IDENTIFIER_PROTOCOL_REVISION \
    0x00010000
```

#### Protocol Interface Structure

```
typedef struct {
    UINT64      Revision;
    UINT64      Id;
    UINT64      ImageAddr;
    UINT32      ImageSize;
    CHAR8       StringId[4];
    UINT8       Type;
    UINT8       MajorVer;
    UINT8       MinorVer;
    BOOLEAN     Ipv6Supported;
    UINT8       IfNum;
} EFI_NETWORK_INTERFACE_IDENTIFIER_PROTOCOL;
```

## Parameters

<i>Revision</i>	The revision of the <b>EFI_NETWORK_INTERFACE_IDENTIFIER</b> protocol.
<i>Id</i>	Address of the first byte of the identifying structure for this network interface. This is only valid when the network interface is started (see <b>EFI_SIMPLE_NETWORK_PROTOCOL.Start()</b> ). When the network interface is not started, this field is set to zero. <b><u>16-bit UNDI and 32/64-bit S/W UNDI:</u></b> <i>Id</i> contains the address of the first byte of the copy of the <b>!PXE</b> structure in the relocated UNDI code segment. See the <i>Preboot Execution Environment (PXE) Specification</i> and Appendix E. <b><u>H/W UNDI:</u></b> <i>Id</i> contains the address of the <b>!PXE</b> structure.
<i>ImageAddr</i>	Address of the unrelocated network interface image. <b><u>16-bit UNDI:</u></b> <i>ImageAddr</i> is the address of the PXE option ROM image in upper memory. <b><u>32/64-bit S/W UNDI:</u></b> <i>ImageAddr</i> is the address of the unrelocated S/W UNDI image. <b><u>H/W UNDI:</u></b> <i>ImageAddr</i> contains zero.
<i>ImageSize</i>	Size of unrelocated network interface image. <b><u>16-bit UNDI:</u></b> <i>ImageSize</i> is the size of the PXE option ROM image in upper memory. <b><u>32/64-bit S/W UNDI:</u></b> <i>ImageSize</i> is the size of the unrelocated S/W UNDI image. <b><u>H/W UNDI:</u></b> <i>ImageSize</i> contains zero.
<i>StringId</i>	A four-character ASCII string that is sent in the class identifier field of option 60 in DHCP. For a <i>Type</i> of <b>EfiNetworkInterfaceUndi</b> , this field is “UNDI.”

<i>Type</i>	Network interface type. This will be set to one of the values in <b>EFI_NETWORK_INTERFACE_TYPE</b> (see “Related Definitions” below).
<i>MajorVer</i>	Major version number.  <b>16-bit UNDI:</b>  <i>MajorVer</i> comes from the third byte of the <b>UNDIRev</b> field in the <b>UNDI ROM ID</b> structure. Refer to the <i>Preboot Execution Environment (PXE) Specification</i> .  <b>32/64-bit S/W UNDI and H/W UNDI:</b>  <i>MajorVer</i> comes from the <b>Major</b> field in the <b>!PXE</b> structure. See Appendix E.
<i>MinorVer</i>	Minor version number.  <b>16-bit UNDI:</b>  <i>MinorVer</i> comes from the second byte of the <b>UNDIRev</b> field in the <b>UNDI ROM ID</b> structure. Refer to the <i>Preboot Execution Environment (PXE) Specification</i> .  <b>32/64-bit S/W UNDI and H/W UNDI:</b>  <i>MinorVer</i> comes from the <b>Minor</b> field in the <b>!PXE</b> structure. See Appendix E.
<i>Ipv6Supported</i>	<b>TRUE</b> if the network interface supports IPv6; otherwise <b>FALSE</b> .
<i>IfNum</i>	The network interface number that is being identified by this Network Interface Identifier Protocol. This field must be less than or equal to the <b>IFcnt</b> field in the <b>!PXE</b> structure.

## Related Definitions

```

//*****
// EFI_NETWORK_INTERFACE_TYPE
//*****
typedef enum {
    EfiNetworkInterfaceUndi = 1
} EFI_NETWORK_INTERFACE_TYPE;

```

## Description

The **EFI\_NETWORK\_INTERFACE\_IDENTIFIER\_PROTOCOL** is used by **EFI PXE BASE CODE PROTOCOL** and OS loaders to identify the type of the underlying network interface and to locate its initial entry point.

## 20.3 PXE Base Code Protocol

This section defines the Preboot Execution Environment (PXE) Base Code protocol, which is used to access PXE-compatible devices for network access and network booting. More information about PXE can be found in the *Preboot Execution Environment (PXE) Specification* at: <ftp://download.intel.com/ial/wfm/pxespec.pdf>.

### EFI\_PXE\_BASE\_CODE\_PROTOCOL

#### Summary

The **EFI\_PXE\_BASE\_CODE\_PROTOCOL** is used to control PXE-compatible devices. The features of these devices are defined in the *Preboot Execution Environment (PXE) Specification*. An **EFI\_PXE\_BASE\_CODE\_PROTOCOL** will be layered on top of an **EFI\_SIMPLE\_NETWORK\_PROTOCOL** protocol in order to perform packet level transactions. The **EFI\_PXE\_BASE\_CODE\_PROTOCOL** handle also supports the **LOAD\_FILE** protocol. This provides a clean way to obtain control from the boot manager if the boot path is from the remote device.

#### GUID

```
#define EFI_PXE_BASE_CODE_PROTOCOL_GUID \
    {0x03C4E603, 0xAC28, 0x11d3, 0x9A2D, 0x00, 0x90, 0x27, 0x3F, 0xC1, 0x4D}
```

#### Revision Number

```
#define EFI_PXE_BASE_CODE_PROTOCOL_REVISION    0x00010000
```

#### Protocol Interface Structure

```
typedef struct {
    UINT64                Revision;
    EFI_PXE_BASE_CODE_START Start;
    EFI_PXE_BASE_CODE_STOP Stop;
    EFI_PXE_BASE_CODE_DHCP Dhcp;
    EFI_PXE_BASE_CODE_DISCOVER Discover;
    EFI_PXE_BASE_CODE_MTFTP Mtftp;
    EFI_PXE_BASE_CODE_UDP_WRITE UdpWrite;
    EFI_PXE_BASE_CODE_UDP_READ UdpRead;
    EFI_PXE_BASE_CODE_SET_IP_FILTER SetIpFilter;
    EFI_PXE_BASE_CODE_ARP Arp;
    EFI_PXE_BASE_CODE_SET_PARAMETERS SetParameters;
    EFI_PXE_BASE_CODE_SET_STATION_IP SetStationIp;
    EFI_PXE_BASE_CODE_SET_PACKETS SetPackets;
    EFI_PXE_BASE_CODE_MODE *Mode;
} EFI_PXE_BASE_CODE_PROTOCOL;
```

## Parameters

<i>Revision</i>	The revision of the <b>EFI_PXE_BASE_CODE_PROTOCOL</b> . All future revisions must be backwards compatible. If a future version is not backwards compatible it is not the same GUID.
<i>Start</i>	Starts the PXE Base Code Protocol. Mode structure information is not valid and no other Base Code Protocol functions will operate until the Base Code is started. See the <b><u>Start()</u></b> function description.
<i>Stop</i>	Stops the PXE Base Code Protocol. Mode structure information is unchanged by this function. No Base Code Protocol functions will operate until the Base Code is restarted. See the <b><u>Stop()</u></b> function description.
<i>Dhcp</i>	Attempts to complete a DHCPv4 D.O.R.A. (discover / offer / request / acknowledge) or DHCPv6 S.A.R.R (solicit / advertise / request / reply) sequence. See the <b><u>Dhcp()</u></b> function description.
<i>Discover</i>	Attempts to complete the PXE Boot Server and/or boot image discovery sequence. See the <b><u>Discover()</u></b> function description.
<i>Mtftp</i>	Performs TFTP and MTFTP services. See the <b><u>Mtftp()</u></b> function description.
<i>UdpWrite</i>	Writes a UDP packet to the network interface. See the <b><u>UdpWrite()</u></b> function description.
<i>UdpRead</i>	Reads a UDP packet from the network interface. See the <b><u>UdpRead()</u></b> function description.
<i>SetIpFilter</i>	Updates the IP receive filters of the network device. See the <b><u>SetIpFilter()</u></b> function description.
<i>Arp</i>	Uses the ARP protocol to resolve a MAC address. See the <b><u>Arp()</u></b> function description.
<i>SetParameters</i>	Updates the parameters that affect the operation of the PXE Base Code Protocol. See the <b><u>SetParameters()</u></b> function description.
<i>SetStationIp</i>	Updates the station IP address and subnet mask values. See the <b><u>SetStationIp()</u></b> function description.
<i>SetPackets</i>	Updates the contents of the cached DHCP and Discover packets. See the <b><u>SetPackets()</u></b> function description.
<i>Mode</i>	Pointer to the <b>EFI_PXE_BASE_CODE_MODE</b> data for this device. The <b>EFI_PXE_BASE_CODE_MODE</b> structure is defined in “Related Definitions” below.

## Related Definitions

```

//*****
// Maximum ARP and Route Entries
//*****
#define EFI_PXE_BASE_CODE_MAX_ARP_ENTRIES      8
#define EFI_PXE_BASE_CODE_MAX_ROUTE_ENTRIES   8

//*****
// EFI_PXE_BASE_CODE_MODE
//
// The data values in this structure are read-only and
// are updated by the code that produces the
// EFI_PXE_BASE_CODE_PROTOCOLfunctions.
//*****
typedef struct {
    BOOLEAN                Started;
    BOOLEAN                Ipv6Available;
    BOOLEAN                Ipv6Supported;
    BOOLEAN                UsingIpv6;
    BOOLEAN                BisSupported;
    BOOLEAN                BisDetected;
    BOOLEAN                AutoArp;
    BOOLEAN                SendGUID;
    BOOLEAN                DhcpDiscoverValid;
    BOOLEAN                DhcpAckReceivd;
    BOOLEAN                ProxyOfferReceived;
    BOOLEAN                PxeDiscoverValid;
    BOOLEAN                PxeReplyReceived;
    BOOLEAN                PxeBisReplyReceived;
    BOOLEAN                IcmpErrorReceived;
    BOOLEAN                TftpErrorReceived;
    BOOLEAN                MakeCallbacks;
    UINT8                  TTL;
    UINT8                  ToS;
    EFI_IP_ADDRESS         StationIp;
    EFI_IP_ADDRESS         SubnetMask;
    EFI_PXE_BASE_CODE_PACKET DhcpDiscover;
    EFI_PXE_BASE_CODE_PACKET DhcpAck;
    EFI_PXE_BASE_CODE_PACKET ProxyOffer;
    EFI_PXE_BASE_CODE_PACKET PxeDiscover;
    EFI_PXE_BASE_CODE_PACKET PxeReply;
    EFI_PXE_BASE_CODE_PACKET PxeBisReply;
};

```

```

EFI_PXE_BASE_CODE_IP_FILTER      IpFilter;
UINT32                            ArpCacheEntries;
EFI_PXE_BASE_CODE_ARP_ENTRY      ArpCache[EFI_PXE_BASE_CODE_MAX_ARP_ENTRIES];
UINT32                            RouteTableEntries;
EFI_PXE_BASE_CODE_ROUTE_ENTRY    RouteTable[EFI_PXE_BASE_CODE_MAX_ROUTE_ENTRIES];
EFI_PXE_BASE_CODE_ICMP_ERROR      IcmpError;
EFI_PXE_BASE_CODE_TFTP_ERROR      TftpError;
} EFI_PXE_BASE_CODE_MODE;

```

*Started* **TRUE** if this device has been started by calling **Start()**. This field is set to **TRUE** by the **Start()** function and to **FALSE** by the **Stop()** function.

*Ipv6Available* **TRUE** if the Simple Network Protocol being used supports IPv6.

*Ipv6Supported* **TRUE** if this PXE Base Code Protocol implementation supports IPv6.

*UsingIpv6* **TRUE** if this device is currently using IPv6. This field is set by the **Start()** function.

*BisSupported* **TRUE** if this PXE Base Code implementation supports Boot Integrity Services (BIS). This field is set by the **Start()** function.

*BisDetected* **TRUE** if this device and the platform support Boot Integrity Services (BIS). This field is set by the **Start()** function.

*AutoArp* **TRUE** for automatic ARP packet generation; **FALSE** otherwise. This field is initialized to **TRUE** by **Start()** and can be modified with the **SetParameters()** function.

*SendGUID* This field is used to change the Client Hardware Address (chaddr) field in the DHCP and Discovery packets. Set to **TRUE** to send the SystemGuid (if one is available). Set to **FALSE** to send the client NIC MAC address. This field is initialized to **FALSE** by **Start()** and can be modified with the **SetParameters()** function.

*DhcpDiscoverValid* This field is initialized to **FALSE** by the **Start()** function and set to **TRUE** when the **Dhcp()** function completes successfully. When **TRUE**, the *DhcpDiscover* field is valid. This field can also be changed by the **SetPackets()** function.

<i>DhcpAckReceived</i>	This field is initialized to <b>FALSE</b> by the <u><b>Start()</b></u> function and set to <b>TRUE</b> when the <u><b>Dhcp()</b></u> function completes successfully. When <b>TRUE</b> , the <i>DhcpAck</i> field is valid. This field can also be changed by the <u><b>SetPackets()</b></u> function.
<i>ProxyOfferReceived</i>	This field is initialized to <b>FALSE</b> by the <b>Start()</b> function and set to <b>TRUE</b> when the <b>Dhcp()</b> function completes successfully and a proxy DHCP offer packet was received. When <b>TRUE</b> , the <i>ProxyOffer</i> packet field is valid. This field can also be changed by the <b>SetPackets()</b> function.
<i>PxeDiscoverValid</i>	When <b>TRUE</b> , the <i>PxeDiscover</i> packet field is valid. This field is set to <b>FALSE</b> by the <b>Start()</b> and <b>Dhcp()</b> functions, and can be set to <b>TRUE</b> or <b>FALSE</b> by the <u><b>Discover()</b></u> and <b>SetPackets()</b> functions.
<i>PxeReplyReceived</i>	When <b>TRUE</b> , the <i>PxeReply</i> packet field is valid. This field is set to <b>FALSE</b> by the <b>Start()</b> and <b>Dhcp()</b> functions, and can be set to <b>TRUE</b> or <b>FALSE</b> by the <b>Discover()</b> and <b>SetPackets()</b> functions.
<i>PxeBisReplyReceived</i>	When <b>TRUE</b> , the <i>PxeBisReply</i> packet field is valid. This field is set to <b>FALSE</b> by the <b>Start()</b> and <b>Dhcp()</b> functions, and can be set to <b>TRUE</b> or <b>FALSE</b> by the <b>Discover()</b> and <b>SetPackets()</b> functions.
<i>IcmpErrorReceived</i>	Indicates whether the <i>IcmpError</i> field has been updated. This field is reset to <b>FALSE</b> by the <b>Start()</b> , <b>Dhcp()</b> , <b>Discover()</b> , <u><b>Mtftp()</b></u> , <u><b>UdpRead()</b></u> , <u><b>UdpWrite()</b></u> and <u><b>Arp()</b></u> functions. If an ICMP error is received, this field will be set to <b>TRUE</b> after the <i>IcmpError</i> field is updated.
<i>TftpErrorReceived</i>	Indicates whether the <i>TftpError</i> field has been updated. This field is reset to <b>FALSE</b> by the <b>Start()</b> and <b>Mtftp()</b> functions. If a TFTP error is received, this field will be set to <b>TRUE</b> after the <i>TftpError</i> field is updated.
<i>MakeCallbacks</i>	When <b>FALSE</b> , callbacks will not be made. When <b>TRUE</b> , make callbacks to the PXE Base Code Callback Protocol. This field is reset to <b>FALSE</b> by the <b>Start()</b> function if the PXE Base Code Callback Protocol is not available. It is reset to <b>TRUE</b> by the <b>Start()</b> function if the PXE Base Code Callback Protocol is available.
<i>TTL</i>	The “time to live” field of the IP header. This field is initialized to <b>DEFAULT_TTL</b> (See “Related Definitions”) by the <b>Start()</b> function and can be modified by the <u><b>SetParameters()</b></u> function.



<i>ToS</i>	The type of service field of the IP header. This field is initialized to <b>DEFAULT_ToS</b> (See “Related Definitions”) by <b>Start()</b> , and can be modified with the <b>SetParameters()</b> function.
<i>StationIp</i>	The device’s current IP address. This field is initialized to a zero address by <b>Start()</b> . This field is set when the <b>Dhcp()</b> function completes successfully. This field can also be set by the <b>SetStationIp()</b> function. This field must be set to a valid IP address by either <b>Dhcp()</b> or <b>SetStationIp()</b> before the <b>Discover()</b> , <b>Mtftp()</b> , <b>UdpRead()</b> , <b>UdpWrite()</b> , or <b>Arp()</b> functions are called.
<i>SubnetMask</i>	The device’s current subnet mask. This field is initialized to a zero address by the <b>Start()</b> function. This field is set when the <b>Dhcp()</b> function completes successfully. This field can also be set by the <b>SetStationIp()</b> function. This field must be set to a valid subnet mask by either <b>Dhcp()</b> or <b>SetStationIp()</b> before the <b>Discover()</b> , <b>Mtftp()</b> , <b>UdpRead()</b> , <b>UdpWrite()</b> , or <b>Arp()</b> functions are called.
<i>DhcpDiscover</i>	Cached DHCP Discover packet. This field is zero-filled by the <b>Start()</b> function, and is set when the <b>Dhcp()</b> function completes successfully. The contents of this field can be replaced by the <b>SetPackets()</b> function.
<i>DhcpAck</i>	Cached DHCP Ack packet. This field is zero-filled by the <b>Start()</b> function, and is set when the <b>Dhcp()</b> function completes successfully. The contents of this field can be replaced by the <b>SetPackets()</b> function.
<i>ProxyOffer</i>	Cached Proxy Offer packet. This field is zero-filled by the <b>Start()</b> function, and is set when the <b>Dhcp()</b> function completes successfully. The contents of this field can be replaced by the <b>SetPackets()</b> function.
<i>PxeDiscover</i>	Cached PXE Discover packet. This field is zero-filled by the <b>Start()</b> function, and is set when the <b>Discover()</b> function completes successfully. The contents of this field can be replaced by the <b>SetPackets()</b> function.
<i>PxeReply</i>	Cached PXE Reply packet. This field is zero-filled by the <b>Start()</b> function, and is set when the <b>Discover()</b> function completes successfully. The contents of this field can be replaced by the <b>SetPackets()</b> function.
<i>PxeBisReply</i>	Cached PXE BIS Reply packet. This field is zero-filled by the <b>Start()</b> function, and is set when the <b>Discover()</b> function completes successfully. This field can be replaced by the <b>SetPackets()</b> function.

<i>IpFilter</i>	The current IP receive filter settings. The receive filter is disabled and the number of IP receive filters is set to zero by the <u><b>Start()</b></u> function, and is set by the <u><b>SetIpFilter()</b></u> function.
<i>ArpCacheEntries</i>	The number of valid entries in the ARP cache. This field is reset to zero by the <b>Start()</b> function.
<i>ArpCache</i>	Array of cached ARP entries.
<i>RouteTableEntries</i>	The number of valid entries in the current route table. This field is reset to zero by the <b>Start()</b> function.
<i>RouteTable</i>	Array of route table entries.
<i>IcmpError</i>	ICMP error packet. This field is updated when an ICMP error is received and is undefined until the first ICMP error is received. This field is zero-filled by the <b>Start()</b> function.
<i>TftpError</i>	TFTP error packet. This field is updated when a TFTP error is received and is undefined until the first TFTP error is received. This field is zero-filled by the <b>Start()</b> function.

```

//*****
// EFI_PXE_BASE_CODE_UDP_PORT
//*****
typedef UINT16 EFI_PXE_BASE_CODE_UDP_PORT;

//*****
// EFI_IPv4_ADDRESS and EFI_IPv6_ADDRESS
//*****
typedef struct {
    UINT8                Addr[4];
} EFI_IPv4_ADDRESS;

typedef struct {
    UINT8                Addr[16];
} EFI_IPv6_ADDRESS;

//*****
// EFI_IP_ADDRESS
//*****
typedef union {
    UINT32                Addr[4];
    EFI_IPv4_ADDRESS      v4;
    EFI_IPv6_ADDRESS      v6;
} EFI_IP_ADDRESS;

```

```

//*****
// EFI_MAC_ADDRESS
//*****
typedef struct {
    UINT8                Addr[32];
} EFI_MAC_ADDRESS;

```

## DHCP Packet Data Types

This section defines the data types for DHCP packets, ICMP error packets, and TFTP error packets. All of these are byte-packed data structures.

### NOTE

---

*All the multibyte fields in these structures are stored in network order.*

---

```

//*****
// EFI_PXE_BASE_CODE_DHCPV4_PACKET
//*****
typedef struct {
    UINT8                BootpOpcode;
    UINT8                BootpHwType;
    UINT8                BootpHwAddrLen;
    UINT8                BootpGateHops;
    UINT32               BootpIdent;
    UINT16               BootpSeconds;
    UINT16               BootpFlags;
    UINT8                BootpCiAddr[4];
    UINT8                BootpYiAddr[4];
    UINT8                BootpSiAddr[4];
    UINT8                BootpGiAddr[4];
    UINT8                BootpHwAddr[16];
    UINT8                BootpSrvName[64];
    UINT8                BootpBootFile[128];
    UINT32               DhcpMagik;
    UINT8                DhcpOptions[56];
} EFI_PXE_BASE_CODE_DHCPV4_PACKET;

//*****
// EFI_PXE_BASE_CODE_PACKET
//*****
typedef union {
    UINT8                Raw[1472];
    EFI_PXE_BASE_CODE_DHCPV4_PACKET Dhcpv4;
    // EFI_PXE_BASE_CODE_DHCPV6_PACKET Dhcpv6;
} EFI_PXE_BASE_CODE_PACKET;

```

```

//*****
// EFI_PXE_BASE_CODE_ICMP_ERROR
//*****
typedef struct {
    UINT8                Type;
    UINT8                Code;
    UINT16               Checksum;
    union {
        UINT32           reserved;
        UINT32           Mtu;
        UINT32           Pointer;
        struct {
            UINT16       Identifier;
            UINT16       Sequence;
        } Echo;
    } u;
    UINT8                Data[494];
} EFI_PXE_BASE_CODE_ICMP_ERROR;

//*****
// EFI_PXE_BASE_CODE_TFTP_ERROR
//*****
typedef struct {
    UINT8                ErrorCode;
    CHAR8                ErrorString[127];
} EFI_PXE_BASE_CODE_TFTP_ERROR;

```

## IP Receive Filter Settings

This section defines the data types for IP receive filter settings.

```
#define EFI_PXE_BASE_CODE_MAX_IPCNT          8

//*****
// EFI_PXE_BASE_CODE_IP_FILTER
//*****
typedef struct {
    UINT8           Filters;
    UINT8           IpCnt;
    UINT16          reserved;
    EFI_IP_ADDRESS  IpList[EFI_PXE_BASE_CODE_MAX_IPCNT];
} EFI_PXE_BASE_CODE_IP_FILTER;

#define EFI_PXE_BASE_CODE_IP_FILTER_STATION_IP      0x0001
#define EFI_PXE_BASE_CODE_IP_FILTER_BROADCAST     0x0002
#define EFI_PXE_BASE_CODE_IP_FILTER_PROMISCUOUS   0x0004
#define EFI_PXE_BASE_CODE_IP_FILTER_PROMISCUOUS_MULTICAST 0x0008
```

## ARP Cache Entries

This section defines the data types for ARP cache entries, and route table entries.

```
//*****
// EFI_PXE_BASE_CODE_ARP_ENTRY
//*****
typedef struct {
    EFI_IP_ADDRESS      IpAddr;
    EFI_MAC_ADDRESS     MacAddr;
} EFI_PXE_BASE_CODE_ARP_ENTRY;

//*****
// EFI_PXE_BASE_CODE_ROUTE_ENTRY
//*****
typedef struct {
    EFI_IP_ADDRESS      IpAddr;
    EFI_IP_ADDRESS      SubnetMask;
    EFI_IP_ADDRESS      GwAddr;
} EFI_PXE_BASE_CODE_ROUTE_ENTRY;
```

## Filter Operations for UDP Read/Write Functions

This section defines the types of filter operations that can be used with the [UdpRead\(\)](#) and [UdpWrite\(\)](#) functions.

```
#define EFI_PXE_BASE_CODE_UDP_OPFLAGS_ANY_SRC_IP      0x0001
#define EFI_PXE_BASE_CODE_UDP_OPFLAGS_ANY_SRC_PORT   0x0002
#define EFI_PXE_BASE_CODE_UDP_OPFLAGS_ANY_DEST_IP    0x0004
#define EFI_PXE_BASE_CODE_UDP_OPFLAGS_ANY_DEST_PORT  0x0008
#define EFI_PXE_BASE_CODE_UDP_OPFLAGS_USE_FILTER     0x0010
#define EFI_PXE_BASE_CODE_UDP_OPFLAGS_MAY_FRAGMENT  0x0020
#define DEFAULT_TTL                                  16
#define DEFAULT_ToS                                  0
```

The following table defines values for the PXE DHCP and Bootserver Discover packet tags that are specific to the UEFI environment. Complete definitions of all PXE tags are defined in Table 157 “PXE DHCP Options (Full List),” in the *PXE Specification*.

**Table 157. PXE Tag Definitions for EFI**

Tag Name	Tag #	Length	Data Field
Client Network Interface Identifier	94 [0x5E]	3 [0x03]	<p><b>Type (1), MajorVer (1), MinorVer (1)</b></p> <p>Type is a one byte field that identifies the network interface that will be used by the downloaded program. Type is followed by two one byte version number fields, MajorVer and MinorVer.</p> <p><b>Type</b></p> <p>UNDI (1) = 0x01</p> <p><b>Versions</b></p> <p>WfM-1.1a 16-bit UNDI: MajorVer = 0x02, MinorVer = 0x00            PXE-2.0 16-bit UNDI: MajorVer = 0x02, MinorVer = 0x01            32/64-bit UNDI &amp; H/W UNDI: MajorVer = 0x03, MinorVer = 0x00</p>
Client System Architecture	93 [0x5D]	2 [0x02]	<p><b>Type (2)</b></p> <p>Type is a two byte, network order, field that identifies the processor and programming environment of the client system.</p> <p><b>Types</b></p> <p>Legacy x86 PC = 0x00 0x00            Supported Itanium PC = 0x00 0x02            IA-32 PC = 0x00 0x06            X64 EFI PC=0x00 0x07</p>

Tag Name	Tag #	Length	Data Field
Class Identifier	60 [0x3C]	32 [0x20]	<p>"PXEClient:Arch:xxxxx:UNDI:yyyzzz"</p> <p>"PXEClient:..." is used to identify communication between PXE clients and servers. Information from tags 93 &amp; 94 is embedded in the Class Identifier string. (The strings defined in this tag are case sensitive and must not be NULL-terminated.)</p> <p>xxxxx = ASCII representation of Client System Architecture.</p> <p>yyyzzz = ASCII representation of Client Network Interface Identifier version numbers MajorVer(yyy) and MinorVer(zzz).</p> <p><b>Example</b></p> <p>"PXEClient:Arch:00002:UNDI:00300" identifies an IA64 PC w/ 32/64-bit UNDI</p>

## Description

The basic mechanisms and flow for remote booting in UEFI are identical to the remote boot functionality described in detail in the *PXE Specification*. However, the actual execution environment, linkage, and calling conventions are replaced and enhanced for the UEFI environment.

The DHCP Option for the Client System Architecture is used to inform the DHCP server if the client is a UEFI environment in supported systems. The server may use this information to provide default images if it does not have a specific boot profile for the client.

A handle that supports EFI PXE BASE CODE PROTOCOL is required to support LOAD FILE Protocol. The LOAD\_FILE\_Protocol function LoadFile() is used by the firmware to load files from devices that do not support file system type accesses. Specifically, the firmware's boot manager invokes LoadFile() with *BootPolicy* being **TRUE** when attempting to boot from the device. The firmware then loads and transfers control to the downloaded PXE boot image. Once the remote image is successfully loaded, it may utilize the EFI PXE BASE CODE PROTOCOL interfaces, or even the EFI SIMPLE NETWORK PROTOCOL interfaces, to continue the remote process.

## EFI\_PXE\_BASE\_CODE\_PROTOCOL.Start()

### Summary

Enables the use of the PXE Base Code Protocol functions.

### Prototype

```
typedef
EFI_STATUS
(EFIAPI *EFI_PXE_BASE_CODE_START) (
    IN EFI_PXE_BASE_CODE_PROTOCOL *This,
    IN BOOLEAN UseIpv6
);
```

### Parameters

<i>This</i>	Pointer to the <u>EFI_PXE_BASE_CODE_PROTOCOL</u> instance.
<i>UseIpv6</i>	Specifies the type of IP addresses that are to be used during the session that is being started. Set to <b>TRUE</b> for IPv6 addresses, and <b>FALSE</b> for IPv4 addresses.

### Description

This function enables the use of the PXE Base Code Protocol functions. If the *Started* field of the EFI\_PXE\_BASE\_CODE\_MODE structure is already **TRUE**, then **EFI\_ALREADY\_STARTED** will be returned. If *UseIpv6* is **TRUE**, then IPv6 formatted addresses will be used in this session. If *UseIpv6* is **FALSE**, then IPv4 formatted addresses will be used in this session. If *UseIpv6* is **TRUE**, and the *Ipv6Supported* field of the EFI\_PXE\_BASE\_CODE\_MODE structure is **FALSE**, then **EFI\_UNSUPPORTED** will be returned. If there is not enough memory or other resources to start the PXE Base Code Protocol, then **EFI\_OUT\_OF\_RESOURCES** will be returned. Otherwise, the PXE Base Code Protocol will be started, and all of the fields of the EFI\_PXE\_BASE\_CODE\_MODE structure will be initialized as follows:

<i>Started</i>	Set to <b>TRUE</b> .
<i>Ipv6Supported</i>	Unchanged.
<i>Ipv6Available</i>	Unchanged.
<i>UsingIpv6</i>	Set to <i>UseIpv6</i> .
<i>BisSupported</i>	Unchanged.
<i>BisDetected</i>	Unchanged.
<i>AutoArp</i>	Set to <b>TRUE</b> .
<i>SendGUID</i>	Set to <b>FALSE</b> .
<i>TTL</i>	Set to <b>DEFAULT_TTL</b> .



<i>ToS</i>	Set to <b>DEFAULT_ToS</b> .
<i>DhcpCompleted</i>	Set to <b>FALSE</b> .
<i>ProxyOfferReceived</i>	Set to <b>FALSE</b> .
<i>StationIp</i>	Set to an address of all zeros.
<i>SubnetMask</i>	Set to a subnet mask of all zeros.
<i>DhcpDiscover</i>	Zero-filled.
<i>DhcpAck</i>	Zero-filled.
<i>ProxyOffer</i>	Zero-filled.
<i>PxeDiscoverValid</i>	Set to <b>FALSE</b> .
<i>PxeDiscover</i>	Zero-filled.
<i>PxeReplyValid</i>	Set to <b>FALSE</b> .
<i>PxeReply</i>	Zero-filled.
<i>PxeBisReplyValid</i>	Set to <b>FALSE</b> .
<i>PxeBisReply</i>	Zero-filled.
<i>IpFilter</i>	Set the <i>Filters</i> field to 0 and the <i>IpCnt</i> field to 0.
<i>ArpCacheEntries</i>	Set to 0.
<i>ArpCache</i>	Zero-filled.
<i>RouteTableEntries</i>	Set to 0.
<i>RouteTable</i>	Zero-filled.
<i>IcmpErrorReceived</i>	Set to <b>FALSE</b> .
<i>IcmpError</i>	Zero-filled.
<i>TftpErrorReceived</i>	Set to <b>FALSE</b> .
<i>TftpError</i>	Zero-filled.
<i>MakeCallbacks</i>	Set to <b>TRUE</b> if the PXE Base Code Callback Protocol is available. Set to <b>FALSE</b> if the PXE Base Code Callback Protocol is not available.

## Status Codes Returned

EFI_SUCCESS	The PXE Base Code Protocol was started.
EFI_INVALID_PARAMETER	The <i>This</i> parameter is <b>NULL</b> or does not point to a valid <b>EFI_PXE_BASE_CODE_PROTOCOL</b> structure.
EFI_UNSUPPORTED	<i>UseIpv6</i> is <b>TRUE</b> , but the <i>Ipv6Supported</i> field of the <b>EFI_PXE_BASE_CODE_MODE</b> structure is <b>FALSE</b> .
EFI_ALREADY_STARTED	The PXE Base Code Protocol is already in the started state.
EFI_DEVICE_ERROR	The network device encountered an error during this operation.
EFI_OUT_OF_RESOURCES	Could not allocate enough memory or other resources to start the PXE Base Code Protocol.

## EFI\_PXE\_BASE\_CODE\_PROTOCOL.Stop()

### Summary

Disables the use of the PXE Base Code Protocol functions.

### Prototype

```
typedef
EFI_STATUS
(EFIAPI *EFI_PXE_BASE_CODE_STOP) (
    IN EFI_PXE_BASE_CODE_PROTOCOL      *This
);
```

### Parameters

*This* Pointer to the EFI\_PXE\_BASE\_CODE\_PROTOCOL instance.

### Description

This function stops all activity on the network device. All the resources allocated in Start() are released, the *Started* field of the EFI\_PXE\_BASE\_CODE\_MODE structure is set to **FALSE** and **EFI\_SUCCESS** is returned. If the *Started* field of the EFI\_PXE\_BASE\_CODE\_MODE structure is already **FALSE**, then **EFI\_NOT\_STARTED** will be returned.

### Status Codes Returned

EFI_SUCCESS	The PXE Base Code Protocol was stopped.
EFI_NOT_STARTED	The PXE Base Code Protocol is already in the stopped state.
EFI_INVALID_PARAMETER	The <i>This</i> parameter is <b>NULL</b> or does not point to a valid <u>EFI_PXE_BASE_CODE_PROTOCOL</u> structure.
EFI_DEVICE_ERROR	The network device encountered an error during this operation.

## EFI\_PXE\_BASE\_CODE\_PROTOCOL.Dhcp()

### Summary

Attempts to complete a DHCPv4 D.O.R.A. (discover / offer / request / acknowledge) or DHCPv6 S.A.R.R (solicit / advertise / request / reply) sequence.

### Prototype

```
typedef
EFI_STATUS
(EFIAPI *EFI_PXE_BASE_CODE_DHCP) (
    IN EFI_PXE_BASE_CODE_PROTOCOL *This,
    IN BOOLEAN SortOffers
);
```

### Parameters

<i>This</i>	Pointer to the <b>EFI PXE BASE CODE PROTOCOL</b> instance.
<i>SortOffers</i>	<b>TRUE</b> if the offers received should be sorted. Set to <b>FALSE</b> to try the offers in the order that they are received.

### Description

This function attempts to complete the DHCP sequence. If this sequence is completed, then **EFI\_SUCCESS** is returned, and the *DhcpCompleted*, *ProxyOfferReceived*, *StationIp*, *SubnetMask*, *DhcpDiscover*, *DhcpAck*, and *ProxyOffer* fields of the **EFI PXE BASE CODE MODE** structure are filled in.

If *SortOffers* is **TRUE**, then the cached DHCP offer packets will be sorted before they are tried. If *SortOffers* is **FALSE**, then the cached DHCP offer packets will be tried in the order in which they are received. Please see the *Preboot Execution Environment (PXE) Specification* for additional details on the implementation of DHCP.

This function can take at least 31 seconds to timeout and return control to the caller. If the DHCP sequence does not complete, then **EFI\_TIMEOUT** will be returned.

If the Callback Protocol does not return **EFI\_PXE\_BASE\_CODE\_CALLBACK\_STATUS\_CONTINUE**, then the DHCP sequence will be stopped and **EFI\_ABORTED** will be returned.

## Status Codes Returned

EFI_SUCCESS	Valid DHCP has completed.
EFI_NOT_STARTED	The PXE Base Code Protocol is in the stopped state.
EFI_INVALID_PARAMETER	The <i>This</i> parameter is <b>NULL</b> or does not point to a valid <b>EFI_PXE_BASE_CODE_PROTOCOL</b> structure.
EFI_DEVICE_ERROR	The network device encountered an error during this operation.
EFI_OUT_OF_RESOURCES	Could not allocate enough memory to complete the DHCP Protocol.
EFI_ABORTED	The callback function aborted the DHCP Protocol.
EFI_TIMEOUT	The DHCP Protocol timed out.
EFI_ICMP_ERROR	An ICMP error packet was received during the DHCP session. The ICMP error packet has been cached in the <b>EFI_PXE_BASE_CODE_MODE</b> . <i>IcmpError</i> packet structure. Information about ICMP packet contents can be found in RFC 792.
EFI_NO_RESPONSE	Valid PXE offer was not received.

## EFI\_PXE\_BASE\_CODE\_PROTOCOL.Discover()

### Summary

Attempts to complete the PXE Boot Server and/or boot image discovery sequence.

### Prototype

```
typedef
EFI_STATUS
(EFIAPI *EFI_PXE_BASE_CODE_DISCOVER) (
    IN EFI_PXE_BASE_CODE_PROTOCOL          *This,
    IN UINT16                               Type,
    IN UINT16                               *Layer,
    IN BOOLEAN                             UseBis,
    IN EFI_PXE_BASE_CODE_DISCOVER_INFO    *Info OPTIONAL
);
```

### Parameters

<i>This</i>	Pointer to the <u>EFI PXE BASE CODE PROTOCOL</u> instance.
<i>Type</i>	The type of bootstrap to perform. See “Related Definitions” below.
<i>Layer</i>	Pointer to the boot server layer number to discover, which must be <b>PXE_BOOT_LAYER_INITIAL</b> when a new server type is being discovered. This is the only layer type that will perform multicast and broadcast discovery. All other layer types will only perform unicast discovery. If the boot server changes <i>Layer</i> , then the new <i>Layer</i> will be returned.
<i>UseBis</i>	<b>TRUE</b> if Boot Integrity Services are to be used. <b>FALSE</b> otherwise.
<i>Info</i>	Pointer to a data structure that contains additional information on the type of discovery operation that is to be performed. If this field is <b>NULL</b> , then the contents of the cached <i>DhcpAck</i> and <i>ProxyOffer</i> packets will be used.

### Related Definitions

```
/**
// *****
// Bootstrap Types
// *****
#define EFI_PXE_BASE_CODE_BOOT_TYPE_BOOTSTRAP          0
#define EFI_PXE_BASE_CODE_BOOT_TYPE_MS_WINNT_RIS      1
#define EFI_PXE_BASE_CODE_BOOT_TYPE_INTEL_LCM         2
#define EFI_PXE_BASE_CODE_BOOT_TYPE_DOSUNDI          3
#define EFI_PXE_BASE_CODE_BOOT_TYPE_NEC_ESMPRO        4
#define EFI_PXE_BASE_CODE_BOOT_TYPE_IBM_WSOD          5
#define EFI_PXE_BASE_CODE_BOOT_TYPE_IBM_LCCM          6
*/
```

```

#define EFI_PXE_BASE_CODE_BOOT_TYPE_CA_UNICENTER_TNG      7
#define EFI_PXE_BASE_CODE_BOOT_TYPE_HP_OPENVIEW          8
#define EFI_PXE_BASE_CODE_BOOT_TYPE_ALTIRIS_9            9
#define EFI_PXE_BASE_CODE_BOOT_TYPE_ALTIRIS_10           10
#define EFI_PXE_BASE_CODE_BOOT_TYPE_ALTIRIS_11           11
#define EFI_PXE_BASE_CODE_BOOT_TYPE_NOT_USED_12          12
#define EFI_PXE_BASE_CODE_BOOT_TYPE_REDHAT_INSTALL       13
#define EFI_PXE_BASE_CODE_BOOT_TYPE_REDHAT_BOOT         14
#define EFI_PXE_BASE_CODE_BOOT_TYPE_REMBO               15
#define EFI_PXE_BASE_CODE_BOOT_TYPE_BEOBOOT             16
//
// Values 17 through 32767 are reserved.
// Values 32768 through 65279 are for vendor use.
// Values 65280 through 65534 are reserved.
//
#define EFI_PXE_BASE_CODE_BOOT_TYPE_PXETEST              65535

#define EFI_PXE_BASE_CODE_BOOT_LAYER_MASK               0x7FFF
#define EFI_PXE_BASE_CODE_BOOT_LAYER_INITIAL           0x0000

//*****
// EFI_PXE_BASE_CODE_DISCOVER_INFO
//*****
typedef struct {
    BOOLEAN                UseMCast;
    BOOLEAN                UseBCast;
    BOOLEAN                UseUCast;
    BOOLEAN                MustUseList;
    EFI_IP_ADDRESS        ServerMCastIp;
    UINT16                 IpCnt;
    EFI_PXE_BASE_CODE_SRVLIST SrvList[IpCnt];
} EFI_PXE_BASE_CODE_DISCOVER_INFO;

//*****
// EFI_PXE_BASE_CODE_SRVLIST
//*****
typedef struct {
    UINT16                 Type;
    BOOLEAN                AcceptAnyResponse;
    UINT8                  reserved;
    EFI_IP_ADDRESS        IpAddr;
} EFI_PXE_BASE_CODE_SRVLIST;

```

## Description

This function attempts to complete the PXE Boot Server and/or boot image discovery sequence. If this sequence is completed, then **EFI\_SUCCESS** is returned, and the *PxeDiscoverValid*, *PxeDiscover*, *PxeReplyReceived*, and *PxeReply* fields of the **EFI\_PXE\_BASE\_CODE\_MODE** structure are filled in. If *UseBis* is **TRUE**, then the *PxeBisReplyReceived* and *PxeBisReply* fields of the **EFI\_PXE\_BASE\_CODE\_MODE** structure will also be filled in. If *UseBis* is **FALSE**, then *PxeBisReplyValid* will be set to **FALSE**.

In the structure referenced by parameter *Info*, the PXE Boot Server list, *SrvList[]*, has two uses: It is the Boot Server IP address list used for unicast discovery (if the *UseUCast* field is **TRUE**), and it is the list used for Boot Server verification (if the *MustUseList* field is **TRUE**). Also, if the *MustUseList* field in that structure is **TRUE** and the *AcceptAnyResponse* field in the *SrvList[]* array is **TRUE**, any Boot Server reply of that type will be accepted. If the *AcceptAnyResponse* field is **FALSE**, only responses from Boot Servers with matching IP addresses will be accepted.

This function can take at least 10 seconds to timeout and return control to the caller. If the Discovery sequence does not complete, then **EFI\_TIMEOUT** will be returned. Please see the *Preboot Execution Environment (PXE) Specification* for additional details on the implementation of the Discovery sequence.

If the Callback Protocol does not return **EFI\_PXE\_BASE\_CODE\_CALLBACK\_STATUS\_CONTINUE**, then the Discovery sequence is stopped and **EFI\_ABORTED** will be returned.



## Status Codes Returned

EFI_SUCCESS	The Discovery sequence has been completed.
EFI_NOT_STARTED	The PXE Base Code Protocol is in the stopped state.
EFI_INVALID_PARAMETER	<p>One or more of the following conditions was <b>TRUE</b>:</p> <ol style="list-style-type: none"> <li>1. The <i>This</i> parameter was <b>NULL</b></li> <li>2. The <i>This</i> parameter did not point to a valid <b>EFI_PXE_BASE_CODE_PROTOCOL</b> structure</li> <li>3. The <i>Layer</i> parameter was <b>NULL</b></li> <li>4. The <i>Info-&gt;ServerMCastIp</i> parameter does not contain a valid multicast IP address</li> <li>5. The <i>Info-&gt;UseUCast</i> parameter is not <b>FALSE</b> and the <i>Info-&gt;IpCnt</i> parameter is zero</li> </ol> <p>One or more of the IP addresses in the <i>Info-&gt;SrvList[]</i> array is not a valid unicast IP address.</p>
EFI_DEVICE_ERROR	The network device encountered an error during this operation.
EFI_OUT_OF_RESOURCES	Could not allocate enough memory to complete Discovery.
EFI_ABORTED	The callback function aborted the Discovery sequence.
EFI_TIMEOUT	The Discovery sequence timed out.
EFI_ICMP_ERROR	An ICMP error packet was received during the PXE discovery session. The ICMP error packet has been cached in the <b>EFI_PXE_BASE_CODE_MODE</b> . <i>IcmpError</i> packet structure. Information about ICMP packet contents can be found in RFC 792.

## EFI\_PXE\_BASE\_CODE\_PROTOCOL.Mtftp()

### Summary

Used to perform TFTP and MTFTP services.

### Prototype

```
typedef
EFI_STATUS
(EFIAPI *EFI_PXE_BASE_CODE_MTFTP) (
    IN EFI_PXE_BASE_CODE_PROTOCOL          *This,
    IN EFI_PXE_BASE_CODE_TFTP_OPCODE      Operation,
    IN OUT VOID                            *BufferPtr, OPTIONAL
    IN BOOLEAN                             Overwrite,
    IN OUT UINT64                          *BufferSize,
    IN UINTN                               *BlockSize, OPTIONAL
    IN EFI_IP_ADDRESS                      *ServerIp,
    IN CHAR8                               *Filename, OPTIONAL
    IN EFI_PXE_BASE_CODE_MTFTP_INFO       *Info, OPTIONAL
    IN BOOLEAN                             DontUseBuffer
);
```

### Parameters

<i>This</i>	Pointer to the <u>EFI_PXE_BASE_CODE_PROTOCOL</u> instance.
<i>Operation</i>	The type of operation to perform. See “Related Definitions” below for the list of operation types.
<i>BufferPtr</i>	A pointer to the data buffer. Ignored for read file if <i>DontUseBuffer</i> is <b>TRUE</b> .
<i>Overwrite</i>	Only used on write file operations. <b>TRUE</b> if a file on a remote server can be overwritten.
<i>BufferSize</i>	For get-file-size operations, <i>*BufferSize</i> returns the size of the requested file. For read-file and write-file operations, this parameter is set to the size of the buffer specified by the <i>BufferPtr</i> parameter. For read-file operations, if <b>EFI_BUFFER_TOO_SMALL</b> is returned, <i>*BufferSize</i> returns the size of the requested file.
<i>BlockSize</i>	The requested block size to be used during a TFTP transfer. This must be at least 512. If this field is <b>NULL</b> , then the largest block size supported by the implementation will be used.
<i>ServerIp</i>	The TFTP / MTFTP server IP address.
<i>Filename</i>	A Null-terminated ASCII string that specifies a directory name or a file name. This is ignored by MTFTP read directory.

*Info* Pointer to the MTFTP information. This information is required to start or join a multicast TFTP session. It is also required to perform the “get file size” and “read directory” operations of MTFTP. See “Related Definitions” below for the description of this data structure.

*DontUseBuffer* Set to **FALSE** for normal TFTP and MTFTP read file operation. Setting this to **TRUE** will cause TFTP and MTFTP read file operations to function without a receive buffer, and all of the received packets are passed to the Callback Protocol which is responsible for storing them. This field is only used by TFTP and MTFTP read file.

## Related Definitions

```

//*****
// EFI_PXE_BASE_CODE_TFTP_OPCODE
//*****
typedef enum {
    EFI_PXE_BASE_CODE_TFTP_FIRST,
    EFI_PXE_BASE_CODE_TFTP_GET_FILE_SIZE,
    EFI_PXE_BASE_CODE_TFTP_READ_FILE,
    EFI_PXE_BASE_CODE_TFTP_WRITE_FILE,
    EFI_PXE_BASE_CODE_TFTP_READ_DIRECTORY,
    EFI_PXE_BASE_CODE_MTFTP_GET_FILE_SIZE,
    EFI_PXE_BASE_CODE_MTFTP_READ_FILE,
    EFI_PXE_BASE_CODE_MTFTP_READ_DIRECTORY,
    EFI_PXE_BASE_CODE_MTFTP_LAST
} EFI_PXE_BASE_CODE_TFTP_OPCODE;

//*****
// EFI_PXE_BASE_CODE_MTFTP_INFO
//*****
typedef struct {
    EFI_IP_ADDRESS           MCastIp;
    EFI_PXE_BASE_CODE_UDP_PORT CPort;
    EFI_PXE_BASE_CODE_UDP_PORT SPort;
    UINT16                   ListenTimeout;
    UINT16                   TransmitTimeout;
} EFI_PXE_BASE_CODE_MTFTP_INFO;

```

*MCastIp* File multicast IP address. This is the IP address to which the server will send the requested file.

*CPort* Client multicast listening port. This is the UDP port to which the server will send the requested file.

*SPort* Server multicast listening port. This is the UDP port on which the server listens for multicast open requests and data acks.

<i>ListenTimeout</i>	The number of seconds a client should listen for an active multicast session before requesting a new multicast session.
<i>TransmitTimeout</i>	The number of seconds a client should wait for a packet from the server before retransmitting the previous open request or data ack packet.

## Description

This function is used to perform TFTP and MTFTP services. This includes the TFTP operations to get the size of a file, read a directory, read a file, and write a file. It also includes the MTFTP operations to get the size of a file, read a directory, and read a file. The type of operation is specified by *Operation*. If the callback function that is invoked during the TFTP/MTFTP operation does not return **EFI\_PXE\_BASE\_CODE\_CALLBACK\_STATUS\_CONTINUE**, then **EFI\_ABORTED** will be returned.

For read operations, the return data will be placed in the buffer specified by *BufferPtr*. If *BufferSize* is too small to contain the entire downloaded file, then **EFI\_BUFFER\_TOO\_SMALL** will be returned and *BufferSize* will be set to zero or the size of the requested file (the size of the requested file is only returned if the TFTP server supports TFTP options). If *BufferSize* is large enough for the read operation, then *BufferSize* will be set to the size of the downloaded file, and **EFI\_SUCCESS** will be returned. Applications using the **PxeBc.Mtftp()** services should use the get-file-size operations to determine the size of the downloaded file prior to using the read-file operations—especially when downloading large (greater than 64 MB) files—instead of making two calls to the read-file operation. Following this recommendation will save time if the file is larger than expected and the TFTP server does not support TFTP option extensions. Without TFTP option extension support, the client has to download the entire file, counting and discarding the received packets, to determine the file size.

For write operations, the data to be sent is in the buffer specified by *BufferPtr*. *BufferSize* specifies the number of bytes to send. If the write operation completes successfully, then **EFI\_SUCCESS** will be returned.

For TFTP “get file size” operations, the size of the requested file or directory is returned in *BufferSize*, and **EFI\_SUCCESS** will be returned. If the TFTP server does not support options, the file will be downloaded into a bit bucket and the length of the downloaded file will be returned. For MTFTP “get file size” operations, if the MTFTP server does not support the “get file size” option, **EFI\_UNSUPPORTED** will be returned.

This function can take up to 10 seconds to timeout and return control to the caller. If the TFTP sequence does not complete, **EFI\_TIMEOUT** will be returned.

If the Callback Protocol does not return

**EFI\_PXE\_BASE\_CODE\_CALLBACK\_STATUS\_CONTINUE**, then the TFTP sequence is stopped and **EFI\_ABORTED** will be returned.

The format of the data returned from a TFTP read directory operation is a null-terminated filename followed by a null-terminated information string, of the form “size year-month-day hour:minute:second” (i.e. %d %d-%d-%d %d:%d:%f - note that the seconds field can be a decimal number), where the date and time are UTC. For an MTFTP read directory command, there is additionally a null-terminated multicast IP address preceding the filename of the form %d.%d.%d.%d for IP v4. The final entry is itself null-terminated, so that the final information string is terminated with two null octets.

## Status Codes Returned

EFI_SUCCESS	The TFTP/MTFTP operation was completed.
EFI_NOT_STARTED	The PXE Base Code Protocol is in the stopped state.
EFI_INVALID_PARAMETER	One or more of the following conditions was <b>TRUE</b> : <ul style="list-style-type: none"> <li>The <i>This</i> parameter was <b>NULL</b></li> <li>The <i>This</i> parameter did not point to a valid EFI_PXE_BASE_CODE_PROTOCOL structure</li> <li>The Operation parameter was not one of the listed EFI_PXE_BASE_CODE_TFTP_OPCODE constants</li> <li>The <i>BufferPtr</i> parameter was <b>NULL</b> and the DontUseBuffer parameter was <b>FALSE</b></li> <li>The <i>BufferSize</i> parameter was <b>NULL</b></li> <li>The BlockSize parameter was not <b>NULL</b> and *BlockSize was less than 512</li> <li>The ServerIp parameter was <b>NULL</b> or did not contain a valid unicast IP address</li> <li>The Filename parameter was <b>NULL</b> for a file transfer or information request</li> <li>The Info parameter was <b>NULL</b> for a multicast request</li> </ul> The Info->MCastIp parameter is not a valid multicast IP address
EFI_DEVICE_ERROR	The network device encountered an error during this operation.
EFI_BUFFER_TOO_SMALL	The buffer is not large enough to complete the read operation.
EFI_ABORTED	The callback function aborted the TFTP/MTFTP operation.
EFI_TIMEOUT	The TFTP/MTFTP operation timed out.
EFI_TFTP_ERROR	A TFTP error packet was received during the MTFTP session. The TFTP error packet has been cached in the <b>EFI_PXE_BASE_CODE_MODE.TftpError</b> packet structure. Information about TFTP error packet contents can be found in RFC 1350.
EFI_ICMP_ERROR	An ICMP error packet was received during the MTFTP session. The ICMP error packet has been cached in the <b>EFI_PXE_BASE_CODE_MODE.IcmpError</b> packet structure. Information about ICMP packet contents can be found in RFC 792.

## EFI\_PXE\_BASE\_CODE\_PROTOCOL.UdpWrite()

### Summary

Writes a UDP packet to the network interface.

### Prototype

```
typedef
EFI_STATUS
(EFIAPI *EFI_PXE_BASE_CODE_UDP_WRITE) (
    IN EFI_PXE_BASE_CODE_PROTOCOL          *This,
    IN UINT16                               OpFlags,
    IN EFI_IP_ADDRESS                       *DestIp,
    IN EFI_PXE_BASE_CODE_UDP_PORT          *DestPort,
    IN EFI_IP_ADDRESS                       *GatewayIp,    OPTIONAL
    IN EFI_IP_ADDRESS                       *SrcIp,        OPTIONAL
    IN OUT EFI_PXE_BASE_CODE_UDP_PORT      *SrcPort,      OPTIONAL
    IN UINTN                                *HeaderSize,   OPTIONAL
    IN VOID                                 *HeaderPtr,    OPTIONAL
    IN UINTN                                *BufferSize,
    IN VOID                                 *BufferPtr
);
```

### Parameters

<i>This</i>	Pointer to the <u>EFI PXE BASE CODE PROTOCOL</u> instance.
<i>OpFlags</i>	The UDP operation flags. If <b>MAY_FRAGMENT</b> is set, then if required, this UDP write operation may be broken up across multiple packets.
<i>DestIp</i>	The destination IP address.
<i>DestPort</i>	The destination UDP port number.
<i>GatewayIp</i>	The gateway IP address. If <i>DestIp</i> is not in the same subnet as <i>StationIp</i> , then this gateway IP address will be used. If this field is <b>NULL</b> , and the <i>DestIp</i> is not in the same subnet as <i>StationIp</i> , then the <i>RouteTable</i> will be used.
<i>SrcIp</i>	The source IP address. If this field is <b>NULL</b> , then <i>StationIp</i> will be used as the source IP address.
<i>SrcPort</i>	The source UDP port number. If <i>OpFlags</i> has <b>ANY_SRC_PORT</b> set or <i>SrcPort</i> is <b>NULL</b> , then a source UDP port will be automatically selected. If a source UDP port was automatically selected, and <i>SrcPort</i> is not <b>NULL</b> , then it will be returned in <i>SrcPort</i> .
<i>HeaderSize</i>	An optional field which may be set to the length of a header at <i>HeaderPtr</i> to be prefixed to the data at <i>BufferPtr</i> .

*HeaderPtr* If *HeaderSize* is not **NULL**, a pointer to a header to be prefixed to the data at *BufferPtr*.

*BufferSize* A pointer to the size of the data at *BufferPtr*.

*BufferPtr* A pointer to the data to be written.

## Description

This function writes a UDP packet specified by the (optional *HeaderPtr* and) *BufferPtr* parameters to the network interface. The UDP header is automatically built by this routine. It uses the parameters *OpFlags*, *DestIp*, *DestPort*, *GatewayIp*, *SrcIp*, and *SrcPort* to build this header. If the packet is successfully built and transmitted through the network interface, then **EFI\_SUCCESS** will be returned. If a timeout occurs during the transmission of the packet, then **EFI\_TIMEOUT** will be returned. If an ICMP error occurs during the transmission of the packet, then the *IcmpErrorReceived* field is set to **TRUE**, the *IcmpError* field is filled in and **EFI\_ICMP\_ERROR** will be returned. If the Callback Protocol does not return **EFI\_PXE\_BASE\_CODE\_CALLBACK\_STATUS\_CONTINUE**, then **EFI\_ABORTED** will be returned.

## Status Codes Returned

EFI_SUCCESS	The UDP Write operation was completed.
EFI_NOT_STARTED	The PXE Base Code Protocol is in the stopped state.
EFI_INVALID_PARAMETER	One or more of the following conditions was <b>TRUE</b> : <ul style="list-style-type: none"> <li>The <i>This</i> parameter was <b>NULL</b></li> <li>The <i>This</i> parameter did not point to a valid <b>EFI_PXE_BASE_CODE_PROTOCOL</b> structure</li> <li>Reserved bits in the <i>OpFlags</i> parameter were not set to zero</li> <li>The <i>DestIp</i> parameter was <b>NULL</b></li> <li>The <i>DestPort</i> parameter was <b>NULL</b></li> <li>The <i>GatewayIp</i> parameter was not <b>NULL</b> and did not contain a valid unicast IP address.</li> <li>The <i>HeaderSize</i> parameter was not <b>NULL</b> and <i>*HeaderSize</i> is zero</li> <li>The <i>*HeaderSize</i> parameter was not zero and the <i>HeaderPtr</i> parameter was <b>NULL</b></li> <li>The <i>BufferSize</i> parameter was <b>NULL</b></li> <li>The <i>*BufferSize</i> parameter was not zero and the <i>BufferPtr</i> parameter was <b>NULL</b></li> </ul>
EFI_DEVICE_ERROR	The network device encountered an error during this operation.
EFI_BAD_BUFFER_SIZE	The buffer is too long to be transmitted.
EFI_ABORTED	The callback function aborted the UDP Write operation.
EFI_TIMEOUT	The UDP Write operation timed out.
EFI_ICMP_ERROR	An ICMP error packet was received during the UDP write session. The ICMP error packet has been cached in the <b>EFI_PXE_BASE_CODE_MODE.IcmpError</b> packet structure. Information about ICMP packet contents can be found in RFC 792.





## EFI\_PXE\_BASE\_CODE\_PROTOCOL.UdpRead()

### Summary

Reads a UDP packet from the network interface.

### Prototype

```
typedef
EFI_STATUS
(EFIAPI *EFI_PXE_BASE_CODE_UDP_READ) (
    IN EFI_PXE_BASE_CODE_PROTOCOL          *This
    IN UINT16                               OpFlags,
    IN OUT EFI_IP_ADDRESS                   *DestIp,          OPTIONAL
    IN OUT EFI_PXE_BASE_CODE_UDP_PORT      *DestPort,       OPTIONAL
    IN OUT EFI_IP_ADDRESS                   *SrcIp,          OPTIONAL
    IN OUT EFI_PXE_BASE_CODE_UDP_PORT      *SrcPort,        OPTIONAL
    IN UINTN                                *HeaderSize,    OPTIONAL
    IN VOID                                 *HeaderPtr,     OPTIONAL
    IN OUT UINTN                            *BufferSize,
    IN VOID                                 *BufferPtr
);
```

### Parameters

<i>This</i>	Pointer to the <u>EFI_PXE_BASE_CODE_PROTOCOL</u> instance.
<i>OpFlags</i>	The UDP operation flags.
<i>DestIp</i>	The destination IP address.
<i>DestPort</i>	The destination UDP port number.
<i>SrcIp</i>	The source IP address.
<i>SrcPort</i>	The source UDP port number.
<i>HeaderSize</i>	An optional field which may be set to the length of a header to be put in <i>HeaderPtr</i> .
<i>HeaderPtr</i>	If <i>HeaderSize</i> is not <b>NULL</b> , a pointer to a buffer to hold the <i>HeaderSize</i> bytes which follow the UDP header.
<i>BufferSize</i>	On input, a pointer to the size of the buffer at <i>BufferPtr</i> . On output, the size of the data written to <i>BufferPtr</i> .
<i>BufferPtr</i>	A pointer to the data to be read.

## Description

This function reads a UDP packet from a network interface. The data contents are returned in (the optional *HeaderPtr* and) *BufferPtr*, and the size of the buffer received is returned in *BufferSize*. If the input *BufferSize* is smaller than the UDP packet received (less optional *HeaderSize*), it will be set to the required size, and **EFI\_BUFFER\_TOO\_SMALL** will be returned. In this case, the contents of *BufferPtr* are undefined, and the packet is lost. If a UDP packet is successfully received, then **EFI\_SUCCESS** will be returned, and the information from the UDP header will be returned in *DestIp*, *DestPort*, *SrcIp*, and *SrcPort* if they are not **NULL**. Depending on the values of *OpFlags* and the *DestIp*, *DestPort*, *SrcIp*, and *SrcPort* input values, different types of UDP packet receive filtering will be performed. The following tables summarize these receive filter operations.

**Table 158. Destination IP Filter Operation**

OpFlags USE_FILTER	OpFlags ANY_DEST_IP	DestIp	Action
0	0	NULL	Receive a packet sent to <i>StationIp</i> .
0	1	NULL	Receive a packet sent to any IP address.
1	x	NULL	Receive a packet whose destination IP address passes the IP filter.
0	0	not NULL	Receive a packet whose destination IP address matches <i>DestIp</i> .
0	1	not NULL	Receive a packet sent to any IP address and, return the destination IP address in <i>DestIp</i> .
1	x	not NULL	Receive a packet whose destination IP address passes the IP filter, and return the destination IP address in <i>DestIp</i> .

**Table 159. Destination UDP Port Filter Operation**

OpFlags ANY_DEST_PORT	DestPort	Action
0	NULL	Return <b>EFI_INVALID_PARAMETER</b> .
1	NULL	Receive a packet sent to any UDP port.
0	not NULL	Receive a packet whose destination Port matches <i>DestPort</i> .
1	not NULL	Receive a packet sent to any UDP port, and return the destination port in <i>DestPort</i> .

**Table 160. Source IP Filter Operation**

OpFlags ANY_SRC_IP	SrcIp	Action
0	NULL	Return <b>EFI_INVALID_PARAMETER</b> .
1	NULL	Receive a packet sent from any IP address.
0	not NULL	Receive a packet whose source IP address matches <i>SrcIp</i> .
1	not NULL	Receive a packet sent from any IP address, and return the source IP address in <i>SrcIp</i> .

**Table 161. Source UDP Port Filter Operation**

OpFlags ANY_SRC_PORT	SrcPort	Action
0	NULL	Return <b>EFI_INVALID_PARAMETER</b> .
1	NULL	Receive a packet sent from any UDP port.
0	not NULL	Receive a packet whose source UDP port matches <i>SrcPort</i> .
1	not NULL	Receive a packet sent from any UDP port, and return the source UDP port in <i>SrcPort</i> .

## Status Codes Returned

EFI_SUCCESS	The UDP Read operation was completed.
EFI_NOT_STARTED	The PXE Base Code Protocol is in the stopped state.
EFI_INVALID_PARAMETER	One or more of the following conditions was <b>TRUE</b> : <ul style="list-style-type: none"> <li>The <i>This</i> parameter was <b>NULL</b></li> <li>The <i>This</i> parameter did not point to a valid EFI_PXE_BASE_CODE_PROTOCOL structure</li> <li>Reserved bits in the OpFlags parameter were not set to zero</li> <li>The HeaderSize parameter is not <b>NULL</b> and *HeaderSize is zero</li> <li>The HeaderSize parameter is not <b>NULL</b> and the HeaderPtr parameter is <b>NULL</b></li> <li>The BufferSize parameter is <b>NULL</b></li> <li>The BufferPtr parameter is <b>NULL</b></li> </ul>
EFI_DEVICE_ERROR	The network device encountered an error during this operation.
EFI_BUFFER_TOO_SMALL	The packet is larger than <i>Buffer</i> can hold.
EFI_ABORTED	The callback function aborted the UDP Read operation.
EFI_TIMEOUT	The UDP Read operation timed out.

## EFI\_PXE\_BASE\_CODE\_PROTOCOL.SetIpFilter()

### Summary

Updates the IP receive filters of a network device and enables software filtering.

### Prototype

```
typedef
EFI_STATUS
(EFIAPI *EFI_PXE_BASE_CODE_SET_IP_FILTER) (
    IN EFI_PXE_BASE_CODE_PROTOCOL      *This,
    IN EFI_PXE_BASE_CODE_IP_FILTER     *NewFilter
);
```

### Parameters

*This*                                      Pointer to the EFI\_PXE\_BASE\_CODE\_PROTOCOL instance.

*NewFilter*                                Pointer to the new set of IP receive filters.

### Description

The *NewFilter* field is used to modify the network device's current IP receive filter settings and to enable a software filter. This function updates the *IpFilter* field of the EFI\_PXE\_BASE\_CODE\_MODE structure with the contents of *NewIpFilter*. The software filter is used when the USE\_FILTER in *OpFlags* is set to UdpRead(). The current hardware filter remains in effect no matter what the settings of *OpFlags* are, so that the meaning of ANY\_DEST\_IP set in *OpFlags* to UdpRead() is from those packets whose reception is enabled in hardware – physical NIC address (unicast), broadcast address, logical address or addresses (multicast), or all (promiscuous). UdpRead() does not modify the IP filter settings.

Dhcp(), Discover(), and Mtftp() set the IP filter, and return with the IP receive filter list emptied and the filter set to EFI\_PXE\_BASE\_CODE\_IP\_FILTER\_STATION\_IP. If an application or driver wishes to preserve the IP receive filter settings, it will have to preserve the IP receive filter settings before these calls, and use SetIpFilter() to restore them after the calls. If incompatible filtering is requested (for example, PROMISCUOUS with anything else) or if the device does not support a requested filter setting and it cannot be accommodated in software (for example, PROMISCUOUS not supported), EFI\_INVALID\_PARAMETER will be returned. The *Iplist* field is used to enable IPs other than the *StationIP*. They may be multicast or unicast. If *IPcnt* is set as well as EFI\_PXE\_BASE\_CODE\_IP\_FILTER\_STATION\_IP, then both the *StationIP* and the IPs from the *Iplist* will be used.

## Status Codes Returned

EFI_SUCCESS	The IP receive filter settings were updated.
EFI_INVALID_PARAMETER	<ul style="list-style-type: none"><li>• One or more of the following conditions was <b>TRUE</b>:</li><li>• The <i>This</i> parameter was <b>NULL</b></li><li>• The <i>This</i> parameter did not point to a valid <b><u>EFI PXE BASE CODE PROTOCOL</u></b> structure</li><li>• The <i>NewFilter</i> parameter was <b>NULL</b></li><li>• The <i>NewFilter</i> -&gt; <i>IPList</i> [] array contains one or more broadcast IP addresses</li></ul>
EFI_NOT_STARTED	The PXE Base Code Protocol is not in the started state.

## EFI\_PXE\_BASE\_CODE\_PROTOCOL.Arp()

### Summary

Uses the ARP protocol to resolve a MAC address.

### Prototype

```
typedef
EFI_STATUS
(EFIAPI *EFI_PXE_BASE_CODE_ARP) (
    IN EFI_PXE_BASE_CODE_PROTOCOL *This,
    IN EFI_IP_ADDRESS             *IpAddr,
    IN EFI_MAC_ADDRESS            *MacAddr            OPTIONAL
);
```

### Parameters

<i>This</i>	Pointer to the <b>EFI_PXE_BASE_CODE_PROTOCOL</b> instance.
<i>IpAddr</i>	Pointer to the IP address that is used to resolve a MAC address. When the MAC address is resolved, the <i>ArpCacheEntries</i> and <i>ArpCache</i> fields of the <b>EFI_PXE_BASE_CODE_MODE</b> structure are updated.
<i>MacAddr</i>	If not <b>NULL</b> , a pointer to the MAC address that was resolved with the ARP protocol.

### Description

This function uses the ARP protocol to resolve a MAC address. The *UsingIpv6* field of the **EFI\_PXE\_BASE\_CODE\_MODE** structure is used to determine if IPv4 or IPv6 addresses are being used. The IP address specified by *IpAddr* is used to resolve a MAC address. If the ARP protocol succeeds in resolving the specified address, then the *ArpCacheEntries* and *ArpCache* fields of the **EFI\_PXE\_BASE\_CODE\_MODE** structure are updated, and **EFI\_SUCCESS** is returned. If *MacAddr* is not **NULL**, the resolved MAC address is placed there as well.

If the PXE Base Code protocol is in the stopped state, then **EFI\_NOT\_STARTED** is returned. If the ARP protocol encounters a timeout condition while attempting to resolve an address, then **EFI\_TIMEOUT** is returned. If the Callback Protocol does not return **EFI\_PXE\_BASE\_CODE\_CALLBACK\_STATUS\_CONTINUE**, then **EFI\_ABORTED** is returned.

## Status Codes Returned

EFI_SUCCESS	The IP or MAC address was resolved.
EFI_INVALID_PARAMETER	One or more of the following conditions was : <ul style="list-style-type: none"><li>• The <i>This</i> parameter was <b>NULL</b></li><li>• The <i>This</i> parameter did not point to a valid EFI_PXE_BASE_CODE_PROTOCOL structure</li><li>• The IpAddr parameter was <b>NULL</b></li></ul>
EFI_DEVICE_ERROR	The network device encountered an error during this operation.
EFI_NOT_STARTED	The PXE Base Code Protocol is in the stopped state.
EFI_TIMEOUT	The ARP Protocol encountered a timeout condition.
EFI_ABORTED	The callback function aborted the ARP Protocol.

## EFI\_PXE\_BASE\_CODE\_PROTOCOL.SetParameters()

### Summary

Updates the parameters that affect the operation of the PXE Base Code Protocol.

### Prototype

```
typedef
EFI_STATUS
(EFIAPI *EFI_PXE_BASE_CODE_SET_PARAMETERS) (
    IN EFI_PXE_BASE_CODE_PROTOCOL *This,
    IN BOOLEAN                    *NewAutoArp,           OPTIONAL
    IN BOOLEAN                    *NewSendGUID,         OPTIONAL
    IN UINT8                      *NewTTL,              OPTIONAL
    IN UINT8                      *NewToS,              OPTIONAL
    IN BOOLEAN                    *NewMakeCallback     OPTIONAL
);
```

### Parameters

<i>This</i>	Pointer to the <u>EFI PXE BASE CODE PROTOCOL</u> instance.
<i>NewAutoArp</i>	If not <b>NULL</b> , a pointer to a value that specifies whether to replace the current value of <i>AutoARP</i> . <b>TRUE</b> for automatic ARP packet generation, <b>FALSE</b> otherwise. If <b>NULL</b> , this parameter is ignored.
<i>NewSendGUID</i>	If not <b>NULL</b> , a pointer to a value that specifies whether to replace the current value of <i>SendGUID</i> . <b>TRUE</b> to send the SystemGUID (if there is one) as the client hardware address in DHCP; <b>FALSE</b> to send client NIC MAC address. If <b>NULL</b> , this parameter is ignored. If <i>NewSendGUID</i> is <b>TRUE</b> and there is no SystemGUID, then <b>EFI_INVALID_PARAMETER</b> is returned.
<i>NewTTL</i>	If not <b>NULL</b> , a pointer to be used in place of the current value of <i>TTL</i> , the “time to live” field of the IP header. If <b>NULL</b> , this parameter is ignored.
<i>NewToS</i>	If not <b>NULL</b> , a pointer to be used in place of the current value of <i>ToS</i> , the “type of service” field of the IP header. If <b>NULL</b> , this parameter is ignored.
<i>NewMakeCallback</i>	If not <b>NULL</b> , a pointer to a value that specifies whether to replace the current value of the <i>MakeCallback</i> field of the Mode structure. If <b>NULL</b> , this parameter is ignored. If the Callback Protocol is not available <b>EFI_INVALID_PARAMETER</b> is returned.



## Description

This function sets parameters that affect the operation of the PXE Base Code Protocol. The parameter specified by *NewAutoArp* is used to control the generation of ARP protocol packets. If *NewAutoArp* is **TRUE**, then ARP Protocol packets will be generated as required by the PXE Base Code Protocol. If *NewAutoArp* is **FALSE**, then no ARP Protocol packets will be generated. In this case, the only mappings that are available are those stored in the *ArpCache* of the **EFI\_PXE\_BASE\_CODE\_MODE** structure. If there are not enough mappings in the *ArpCache* to perform a PXE Base Code Protocol service, then the service will fail. This function updates the *AutoArp* field of the **EFI\_PXE\_BASE\_CODE\_MODE** structure to *NewAutoArp*.

The **EFI\_PXE\_BASE\_CODE.SetParameters()** call must be invoked after a Callback Protocol is installed to enable the use of callbacks.

## Status Codes Returned

EFI_SUCCESS	The new parameters values were updated.
EFI_INVALID_PARAMETER	<ul style="list-style-type: none"><li>• One or more of the following conditions was <b>TRUE</b> :<ul style="list-style-type: none"><li>• The <i>This</i> parameter was <b>NULL</b></li><li>• The <i>This</i> parameter did not point to a valid <b>EFI_PXE_BASE_CODE_PROTOCOL</b> structure</li><li>• The <i>NewSendGUID</i> parameter is not <b>NULL</b> and *<i>NewSendGUID</i> is <b>TRUE</b> and a system GUID could not be located</li><li>• The <i>NewMakeCallback</i> parameter is not <b>NULL</b> and *<i>NewMakeCallback</i> is <b>TRUE</b> and an <b>EFI_PXE_BASE_CODE_CALLBACK_PROTOCOL</b> could not be located on the network device handle.</li></ul></li></ul>
EFI_NOT_STARTED	The PXE Base Code Protocol is not in the started state.

## EFI\_PXE\_BASE\_CODE\_PROTOCOL.SetStationIp()

### Summary

Updates the station IP address and/or subnet mask values of a network device.

### Prototype

```
typedef
EFI_STATUS
(EFIAPI *EFI_PXE_BASE_CODE_SET_STATION_IP) (
    IN EFI_PXE_BASE_CODE_PROTOCOL    *This,
    IN EFI_IP_ADDRESS                 *NewStationIp,    OPTIONAL
    IN EFI_IP_ADDRESS                 *NewSubnetMask    OPTIONAL
);
```

### Parameters

<i>This</i>	Pointer to the <b>EFI PXE BASE CODE PROTOCOL</b> instance.
<i>NewStationIp</i>	Pointer to the new IP address to be used by the network device. If this field is <b>NULL</b> , then the <i>StationIp</i> address will not be modified.
<i>NewSubnetMask</i>	Pointer to the new subnet mask to be used by the network device. If this field is <b>NULL</b> , then the <i>SubnetMask</i> will not be modified.

### Description

This function updates the station IP address and/or subnet mask values of a network device.

The *NewStationIp* field is used to modify the network device's current IP address. If *NewStationIp* is **NULL**, then the current IP address will not be modified. Otherwise, this function updates the *StationIp* field of the **EFI PXE BASE CODE MODE** structure with *NewStationIp*.

The *NewSubnetMask* field is used to modify the network device's current subnet mask. If *NewSubnetMask* is **NULL**, then the current subnet mask will not be modified. Otherwise, this function updates the *SubnetMask* field of the **EFI\_PXE\_BASE\_CODE\_MODE** structure with *NewSubnetMask*.

## Status Codes Returned

EFI_SUCCESS	The new station IP address and/or subnet mask were updated.
EFI_INVALID_PARAMETER	One or more of the following conditions was <b>TRUE</b> : <ol style="list-style-type: none"><li>1. The <i>This</i> s parameter was <b>NULL</b></li><li>2. The <i>This</i> parameter did not point to a valid <b><u>EFI PXE BASE CODE PROTOCOL</u></b> structure</li><li>3. The <i>NewStationIp</i> parameter is not <b>NULL</b> and * <i>NewStationIp</i> is not a valid unicast IP address</li><li>4. The <i>NewSubnetMask</i> parameter is not <b>NULL</b> and * <i>NewSubnetMask</i> does not contain a valid IP subnet mask</li></ol>
EFI_NOT_STARTED	The PXE Base Code Protocol is not in the started state.

## EFI\_PXE\_BASE\_CODE\_PROTOCOL.SetPackets()

### Summary

Updates the contents of the cached DHCP and Discover packets.

### Prototype

```
typedef
EFI_STATUS
(EFIAPI *EFI_PXE_BASE_CODE_SET_PACKETS) (
    IN EFI_PXE_BASE_CODE_PROTOCOL *This,
    IN BOOLEAN                    *NewDhcpDiscoverValid,  OPTIONAL
    IN BOOLEAN                    *NewDhcpAckReceived,    OPTIONAL
    IN BOOLEAN                    *NewProxyOfferReceived,  OPTIONAL
    IN BOOLEAN                    *NewPxeDiscoverValid,    OPTIONAL
    IN BOOLEAN                    *NewPxeReplyReceived,    OPTIONAL
    IN BOOLEAN                    *NewPxeBisReplyReceived,  OPTIONAL
    IN EFI_PXE_BASE_CODE_PACKET  *NewDhcpDiscover,      OPTIONAL
    IN EFI_PXE_BASE_CODE_PACKET  *NewDhcpAck,            OPTIONAL
    IN EFI_PXE_BASE_CODE_PACKET  *NewProxyOffer,         OPTIONAL
    IN EFI_PXE_BASE_CODE_PACKET  *NewPxeDiscover,        OPTIONAL
    IN EFI_PXE_BASE_CODE_PACKET  *NewPxeReply,           OPTIONAL
    IN EFI_PXE_BASE_CODE_PACKET  *NewPxeBisReply         OPTIONAL
);
```

### Parameters

<i>This</i>	Pointer to the <u>EFI_PXE_BASE_CODE_PROTOCOL</u> instance.
<i>NewDhcpDiscoverValid</i>	Pointer to a value that will replace the current <i>DhcpDiscoverValid</i> field. If <b>NULL</b> , this parameter is ignored.
<i>NewDhcpAckReceived</i>	Pointer to a value that will replace the current <i>DhcpAckReceived</i> field. If <b>NULL</b> , this parameter is ignored.
<i>NewProxyOfferReceived</i>	Pointer to a value that will replace the current <i>ProxyOfferReceived</i> field. If <b>NULL</b> , this parameter is ignored.
<i>NewPxeDiscoverValid</i>	Pointer to a value that will replace the current <i>ProxyOfferReceived</i> field. If <b>NULL</b> , this parameter is ignored.
<i>NewPxeReplyReceived</i>	Pointer to a value that will replace the current <i>PxeReplyReceived</i> field. If <b>NULL</b> , this parameter is ignored.

<i>NewPxeBisReplyReceived</i>	Pointer to a value that will replace the current <i>PxeBisReplyReceived</i> field. If <b>NULL</b> , this parameter is ignored.
<i>NewDhcpDiscover</i>	Pointer to the new cached DHCP Discover packet contents. If <b>NULL</b> , this parameter is ignored.
<i>NewDhcpAck</i>	Pointer to the new cached DHCP Ack packet contents. If <b>NULL</b> , this parameter is ignored.
<i>NewProxyOffer</i>	Pointer to the new cached Proxy Offer packet contents. If <b>NULL</b> , this parameter is ignored.
<i>NewPxeDiscover</i>	Pointer to the new cached PXE Discover packet contents. If <b>NULL</b> , this parameter is ignored.
<i>NewPxeReply</i>	Pointer to the new cached PXE Reply packet contents. If <b>NULL</b> , this parameter is ignored.
<i>NewPxeBisReply</i>	Pointer to the new cached PXE BIS Reply packet contents. If <b>NULL</b> , this parameter is ignored.

## Description

The pointers to the new packets are used to update the contents of the cached packets in the **EFI PXE BASE CODE MODE** structure.

## Status Codes Returned

EFI_SUCCESS	The cached packet contents were updated.
EFI_INVALID_PARAMETER	<ul style="list-style-type: none"> <li>One or more of the following conditions was <b>TRUE</b>:</li> <li>The <i>This</i> parameter was <b>NULL</b></li> </ul> <p>The <i>This</i> parameter did not point to a valid <b><u>EFI PXE BASE CODE PROTOCOL</u></b> structure.</p>
EFI_NOT_STARTED	The PXE Base Code Protocol is not in the started state.

## 20.4 PXE Base Code Callback Protocol

This protocol is a specific instance of the PXE Base Code Callback Protocol that is invoked when the PXE Base Code Protocol is about to transmit, has received, or is waiting to receive a packet. The PXE Base Code Callback Protocol must be on the same handle as the PXE Base Code Protocol.

### EFI\_PXE\_BASE\_CODE\_CALLBACK\_PROTOCOL

#### Summary

Protocol that is invoked when the PXE Base Code Protocol is about to transmit, has received, or is waiting to receive a packet.

#### GUID

```
#define EFI_PXE_BASE_CODE_CALLBACK_PROTOCOL_GUID \
    {0x245DCA21, 0xFB7B, 0x11d3, 0x8F01, 0x00, 0xA0, 0xC9, 0x69, 0x72, \
     0x3B}
```

#### Revision Number

```
#define EFI_PXE_BASE_CODE_CALLBACK_PROTOCOL_REVISION \
    0x00010000
```

#### Protocol Interface Structure

```
typedef struct {
    UINT64                               Revision;
    EFI_PXE_CALLBACK                     Callback;
} EFI_PXE_BASE_CODE_CALLBACK_PROTOCOL;
```

#### Parameters

<i>Revision</i>	The revision of the <b>EFI_PXE_BASE_CODE_CALLBACK_PROTOCOL</b> . All future revisions must be backwards compatible. If a future revision is not backwards compatible, it is not the same GUID.
<i>Callback</i>	Callback routine used by the PXE Base Code <b><u>Dhcp()</u></b> , <b><u>Discover()</u></b> , <b><u>Mtftp()</u></b> , <b><u>UdpWrite()</u></b> , and <b><u>Arp()</u></b> functions.

## EFI\_PXE\_BASE\_CODE\_CALLBACK.Callback()

### Summary

Callback function that is invoked when the PXE Base Code Protocol is about to transmit, has received, or is waiting to receive a packet.

### Prototype

```
typedef
EFI_PXE_BASE_CODE_CALLBACK_STATUS
(*EFI_PXE_CALLBACK) (
    IN EFI_PXE_BASE_CODE_CALLBACK_PROTOCOL    *This,
    IN EFI_PXE_BASE_CODE_FUNCTION            Function,
    IN BOOLEAN                                Received,
    IN UINT32                                 PacketLen,
    IN EFI_PXE_BASE_CODE_PACKET              *Packet    OPTIONAL
);
```

### Parameters

<i>This</i>	Pointer to the <u>EFI PXE BASE CODE PROTOCOL</u> instance.
<i>Function</i>	The PXE Base Code Protocol function that is waiting for an event.
<i>Received</i>	<b>TRUE</b> if the callback is being invoked due to a receive event. <b>FALSE</b> if the callback is being invoked due to a transmit event.
<i>PacketLen</i>	The length, in bytes, of <i>Packet</i> . This field will have a value of zero if this is a wait for receive event.
<i>Packet</i>	If <i>Received</i> is <b>TRUE</b> , a pointer to the packet that was just received; otherwise a pointer to the packet that is about to be transmitted. This field will be <b>NULL</b> if this is not a packet event.

### Related Definitions

```
/**
//*****
// EFI_PXE_BASE_CODE_CALLBACK_STATUS
//*****
typedef enum {
    EFI_PXE_BASE_CODE_CALLBACK_STATUS_FIRST,
    EFI_PXE_BASE_CODE_CALLBACK_STATUS_CONTINUE,
    EFI_PXE_BASE_CODE_CALLBACK_STATUS_ABORT,
    EFI_PXE_BASE_CODE_CALLBACK_STATUS_LAST
} EFI_PXE_BASE_CODE_CALLBACK_STATUS;
```

```

//*****
// EFI_PXE_BASE_CODE_FUNCTION
//*****
typedef enum {
    EFI_PXE_BASE_CODE_FUNCTION_FIRST,
    EFI_PXE_BASE_CODE_FUNCTION_DHCP,
    EFI_PXE_BASE_CODE_FUNCTION_DISCOVER,
    EFI_PXE_BASE_CODE_FUNCTION_MTFTP,
    EFI_PXE_BASE_CODE_FUNCTION_UDP_WRITE,
    EFI_PXE_BASE_CODE_FUNCTION_UDP_READ,
    EFI_PXE_BASE_CODE_FUNCTION_ARP,
    EFI_PXE_BASE_CODE_FUNCTION_IGMP,
    EFI_PXE_BASE_CODE_PXE_FUNCTION_LAST
} EFI_PXE_BASE_CODE_FUNCTION;

```

## Description

This function is invoked when the PXE Base Code Protocol is about to transmit, has received, or is waiting to receive a packet. Parameters *Function* and *Received* specify the type of event. Parameters *PacketLen* and *Packet* specify the packet that generated the event. If these fields are zero and **NULL** respectively, then this is a status update callback. If the operation specified by *Function* is to continue, then **CALLBACK\_STATUS\_CONTINUE** should be returned. If the operation specified by *Function* should be aborted, then **CALLBACK\_STATUS\_ABORT** should be returned. Due to the polling nature of UEFI device drivers, a callback function should not execute for more than 5 ms.

The **EFI\_PXE\_BASE\_CODE.SetParameters()** function must be called after a Callback Protocol is installed to enable the use of callbacks.



## 20.5 Boot Integrity Services Protocol

This chapter defines the Boot Integrity Services (BIS) protocol, which is used to check a digital signature of a data block against a digital certificate for the purpose of an integrity and authorization check. BIS is primarily used by the Preboot Execution Environment (PXE) Base Code protocol **EFI PXE BASE CODE PROTOCOL** to check downloaded network boot images before executing them. BIS is a UEFI Boot Services Driver, so its services are also available to applications written to this specification until the time of **ExitBootServices ()**. More information about BIS can be found in the *Boot Integrity Services Application Programming Interface Version 1.0*.

This section defines the Boot Integrity Services Protocol. This protocol is used to check a digital signature of a data block against a digital certificate for the purpose of an integrity and authorization check.

### EFI\_BIS\_PROTOCOL

#### Summary

The **EFI\_BIS\_PROTOCOL** is used to check a digital signature of a data block against a digital certificate for the purpose of an integrity and authorization check.

#### GUID

```
#define EFI_BIS_PROTOCOL_GUID \
    {0x0b64aab0, 0x5429, 0x11d4, 0x98, 0x16, 0x00, 0xa0, 0xc9, 0x1f, \
     0xad, 0xcf}
```

#### Protocol Interface Structure

```
typedef struct _EFI_BIS_PROTOCOL {
    EFI_BIS_INITIALIZE    Initialize;
    EFI_BIS_SHUTDOWN      Shutdown;
    EFI_BIS_FREE           Free;
    EFI_BIS_GET_BOOT_OBJECT_AUTHORIZATION_CERTIFICATE
        GetBootObjectAuthorizationCertificate;
    EFI_BIS_GET_BOOT_OBJECT_AUTHORIZATION_CHECKFLAG
        GetBootObjectAuthorizationCheckFlag;
    EFI_BIS_GET_BOOT_OBJECT_AUTHORIZATION_UPDATE_TOKEN
        GetBootObjectAuthorizationUpdateToken;
    EFI_BIS_GET_SIGNATURE_INFO
        GetSignatureInfo;
    EFI_BIS_UPDATE_BOOT_OBJECT_AUTHORIZATION
        UpdateBootObjectAuthorization;
    EFI_BIS_VERIFY_BOOT_OBJECT
        VerifyBootObject;
    EFI_BIS_VERIFY_OBJECT_WITH_CREDENTIAL
        VerifyObjectWithCredential;
} EFI_BIS_PROTOCOL;
```

## Parameters

<i>Initialize</i>	Initializes an application instance of the <b>EFI_BIS</b> protocol, returning a handle for the application instance. Other functions in the <b>EFI_BIS</b> protocol require a valid application instance handle obtained from this function. See the <a href="#"><u>Initialize()</u></a> function description.
<i>Shutdown</i>	Ends the lifetime of an application instance of the <b>EFI_BIS</b> protocol, invalidating its application instance handle. The application instance handle may no longer be used in other functions in the <b>EFI_BIS</b> protocol. See the <a href="#"><u>Shutdown()</u></a> function description.
<i>Free</i>	Frees memory structures allocated and returned by other functions in the <b>EFI_BIS</b> protocol. See the <a href="#"><u>Free()</u></a> function description.
<i>GetBootObjectAuthorizationCertificate</i>	Retrieves the current digital certificate (if any) used by the <b>EFI_BIS</b> protocol as the source of authorization for verifying boot objects and altering configuration parameters. See the <a href="#"><u>GetBootObjectAuthorizationCertificate()</u></a> function description.
<i>GetBootObjectAuthorizationCheckFlag</i>	Retrieves the current setting of the authorization check flag that indicates whether or not authorization checks are required for boot objects. See the <a href="#"><u>GetBootObjectAuthorizationCheckFlag()</u></a> function description.
<i>GetBootObjectAuthorizationUpdateToken</i>	Retrieves an uninterpreted token whose value gets included and signed in a subsequent request to alter the configuration parameters, to protect against attempts to “replay” such a request. See the <a href="#"><u>GetBootObjectAuthorizationUpdateToken()</u></a> function description.
<i>GetSignatureInfo</i>	Retrieves information about the digital signature algorithms supported and the identity of the installed authorization certificate, if any. See the <a href="#"><u>GetSignatureInfo()</u></a> function description.
<i>UpdateBootObjectAuthorization</i>	Requests that the configuration parameters be altered by installing or removing an authorization certificate or changing the setting of the check flag. See the

[UpdateBootObjectAuthorization \(\)](#) function description.

*VerifyBootObject*

Verifies a boot object according to the supplied digital signature and the current authorization certificate and check flag setting. See the [VerifyBootObject \(\)](#) function description.

*VerifyObjectWithCredential*

Verifies a data object according to a supplied digital signature and a supplied digital certificate. See the [VerifyObjectWithCredential \(\)](#) function description.

## Description

The **EFI\_BIS\_PROTOCOL** provides a set of functions as defined in this chapter. There is no physical device associated with these functions, however, in the context of UEFI every protocol operates on a device. Accordingly, BIS installs and operates on a single abstract device that has only a software representation.

## EFI\_BIS\_PROTOCOL.Initialize()

### Summary

Initializes the BIS service, checking that it is compatible with the version requested by the caller. After this call, other BIS functions may be invoked.

### Prototype

```
typedef
EFI_STATUS
(EFIAPI *EFI_BIS_INITIALIZE) (
    IN     EFI_BIS_PROTOCOL          *This,
    OUT    BIS_APPLICATION_HANDLE    *AppHandle,
    IN OUT EFI_BIS_VERSION           *InterfaceVersion,
    IN     EFI_BIS_DATA              *TargetAddress
);
```

### Parameters

<i>This</i>	A pointer to the <b>EFI_BIS_PROTOCOL</b> object. The protocol implementation may rely on the actual pointer value and object location, so the caller must not copy the object to a new location.
<i>AppHandle</i>	The function writes the new <b>BIS_APPLICATION_HANDLE</b> if successful, otherwise it writes <b>NULL</b> . The caller must eventually destroy this handle by calling <b>Shutdown()</b> . Type <b>BIS_APPLICATION_HANDLE</b> is defined in “Related Definitions” below.
<i>InterfaceVersion</i>	On input, the caller supplies the major version number of the interface version desired. The minor version number supplied on input is ignored since interface compatibility is determined solely by the major version number. On output, both the major and minor version numbers are updated with the major and minor version numbers of the interface (and underlying implementation). This update is done whether or not the initialization was successful. Type <b>EFI_BIS_VERSION</b> is defined in “Related Definitions” below.
<i>TargetAddress</i>	Indicates a network or device address of the BIS platform to connect to. Local-platform BIS implementations require that the caller sets <i>TargetAddress.Data</i> to <b>NULL</b> , but otherwise ignores this parameter. BIS implementations that redirect calls to an agent at a remote address must define their own format and interpretation of this parameter outside the scope of this document. For all implementations, if the <i>TargetAddress</i> is an unsupported value, the function fails with the error <b>EFI_UNSUPPORTED</b> . Type <b>EFI_BIS_DATA</b> is defined in “Related Definitions” below.

## Related Definitions

```
/** *****  
// BIS_APPLICATION_HANDLE  
/** *****  
typedef VOID                *BIS_APPLICATION_HANDLE;
```

This type is an opaque handle representing an initialized instance of the BIS interface. A **BIS\_APPLICATION\_HANDLE** value is returned by the **Initialize()** function as an “out” parameter. Other BIS functions take a **BIS\_APPLICATION\_HANDLE** as an “in” parameter to identify the BIS instance.

```
/** *****  
// EFI_BIS_VERSION  
/** *****  
typedef struct _EFI_BIS_VERSION {  
    UINT32                Major;  
    UINT32                Minor;  
} EFI_BIS_VERSION;
```

*Major* This describes the major BIS version number. The major version number defines version compatibility. That is, when a new version of the BIS interface is created with new capabilities that are not available in the previous interface version, the major version number is increased.

*Minor* This describes a minor BIS version number. This version number is increased whenever a new BIS implementation is built that is fully interface compatible with the previous BIS implementation. This number may be reset when the major version number is increased.

This type represents a version number of the BIS interface. This is used as an “in out” parameter of the **Initialize()** function for a simple form of negotiation of the BIS interface version between the caller and the BIS implementation.

```

//*****
// EFI_BIS_VERSION predefined values
// Use these values to initialize EFI_BIS_VERSION.Major
// and to interpret results of Initialize.
//*****
#define BIS_CURRENT_VERSION_MAJOR    BIS_VERSION_1
#define BIS_VERSION_1                1

```

These C preprocessor macros supply values for the major version number of an **EFI\_BIS\_VERSION**. At the time of initialization, a caller supplies a value to request a BIS interface version. On return, the (IN OUT) parameter is over-written with the actual version of the interface.

```

//*****
// EFI_BIS_DATA
//
// EFI_BIS_DATA instances obtained from BIS must be freed by
// calling Free\(\).
//*****
typedef struct _EFI_BIS_DATA {
    UINT32      Length;
    UINT8      *Data;
} EFI_BIS_DATA;

```

*Length*                      The length of the data buffer in bytes.

*Data*                         A pointer to the raw data buffer.

This type defines a structure that describes a buffer. BIS uses this type to pass back and forth most large objects such as digital certificates, strings, etc.. Several of the BIS functions allocate a **EFI\_BIS\_DATA\*** and return it as an “out” parameter. The caller must eventually free any allocated **EFI\_BIS\_DATA\*** using the [Free\(\)](#) function.

## Description

This function must be the first BIS function invoked by an application. It passes back a **BIS APPLICATION HANDLE** value that must be used in subsequent BIS functions. The handle must be eventually destroyed by a call to the [Shutdown\(\)](#) function, thus ending that handle’s lifetime. After the handle is destroyed, BIS functions may no longer be called with that handle value. Thus all other BIS functions may only be called between a pair of [Initialize\(\)](#) and [Shutdown\(\)](#) functions.

There is no penalty for calling [Initialize\(\)](#) multiple times. Each call passes back a distinct handle value. Each distinct handle must be destroyed by a distinct call to [Shutdown\(\)](#). The lifetimes of handles created and destroyed with these functions may be overlapped in any way.

## Status Codes Returned

EFI_SUCCESS	The function completed successfully.
EFI_INCOMPATIBLE_VERSION	The <i>InterfaceVersion.Major</i> requested by the caller was not compatible with the interface version of the implementation. The <i>InterfaceVersion.Major</i> has been updated with the current interface version.
EFI_UNSUPPORTED	This is a local-platform implementation and <i>TargetAddress.Data</i> was not <b>NULL</b> , or <i>TargetAddress.Data</i> was any other value that was not supported by the implementation.
EFI_OUT_OF_RESOURCES	The function failed due to lack of memory or other resources.
EFI_DEVICE_ERROR	The function encountered an unexpected internal failure while initializing a cryptographic software module, or No cryptographic software module with compatible version was found, or A resource limitation was encountered while using a cryptographic software module.
EFI_INVALID_PARAMETER	The <i>This</i> parameter supplied by the caller is <b>NULL</b> or does not reference a valid <b>EFI_BIS_PROTOCOL</b> object, or The <i>AppHandle</i> parameter supplied by the caller is <b>NULL</b> or an invalid memory reference, or The <i>InterfaceVersion</i> parameter supplied by the caller is <b>NULL</b> or an invalid memory reference, or The <i>TargetAddress</i> parameter supplied by the caller is <b>NULL</b> or an invalid memory reference.

## EFI\_BIS\_PROTOCOL.Shutdown()

### Summary

Shuts down an application's instance of the BIS service, invalidating the application handle. After this call, other BIS functions may no longer be invoked using the application handle value.

### Prototype

```
typedef
EFI_STATUS
(EFIAPI *EFI_BIS_SHUTDOWN) (
    IN BIS_APPLICATION_HANDLE  AppHandle
);
```

### Parameters

*AppHandle*                      An opaque handle that identifies the caller's instance of initialization of the BIS service. Type **BIS\_APPLICATION\_HANDLE** is defined in the **Initialize()** function description.

### Description

This function shuts down an application's instance of the BIS service, invalidating the application handle. After this call, other BIS functions may no longer be invoked using the application handle value.

This function must be paired with a preceding successful call to the **Initialize()** function. The lifetime of an application handle extends from the time the handle was returned from **Initialize()** until the time the handle is passed to **Shutdown()**. If there are other remaining handles whose lifetime is still active, they may still be used in calling BIS functions.

The caller must free all memory resources associated with this *AppHandle* that were allocated and returned from other BIS functions before calling **Shutdown()**. Memory resources are freed using the **Free()** function. Failure to free such memory resources is a caller error, however, this function does not return an error code under this circumstance. Further attempts to access the outstanding memory resources cause unspecified results.



## Status Codes Returned

EFI_SUCCESS	The function completed successfully.
EFI_NO_MAPPING	The <i>AppHandle</i> parameter is not or is no longer a valid application instance handle associated with the EFI_BIS protocol.
EFI_DEVICE_ERROR	The function encountered an unexpected internal error while returning resources associated with a cryptographic software module, or The function encountered an internal error while trying to shut down a cryptographic software module.
EFI_OUT_OF_RESOURCES	The function failed due to lack of memory or other resources.

## EFI\_BIS\_PROTOCOL.Free()

### Summary

Frees memory structures allocated and returned by other functions in the **EFI\_BIS** protocol.

### Prototype

```
typedef
EFI_STATUS
(EFIAPI *EFI_BIS_FREE) (
    IN BIS_APPLICATION_HANDLE  AppHandle,
    IN EFI_BIS_DATA            *ToFree
);
```

### Parameters

*AppHandle*

An opaque handle that identifies the caller's instance of initialization of the BIS service. Type **BIS\_APPLICATION\_HANDLE** is defined in the **Initialize()** function description.

*ToFree*

An **EFI\_BIS\_DATA\*** and associated memory block to be freed. This **EFI\_BIS\_DATA\*** must have been allocated by one of the other BIS functions. Type **EFI\_BIS\_DATA** is defined in the **Initialize()** function description.

### Description

This function deallocates an **EFI\_BIS\_DATA\*** and associated memory allocated by one of the other BIS functions.

Callers of other BIS functions that allocate memory in the form of an **EFI\_BIS\_DATA\*** must eventually call this function to deallocate the memory before calling the **Shutdown()** function for the application handle under which the memory was allocated. Failure to do so causes unspecified results, and the continued correct operation of the BIS service cannot be guaranteed.

### Status Codes Returned

EFI_SUCCESS	The function completed successfully.
EFI_NO_MAPPING	The <i>AppHandle</i> parameter is not or is no longer a valid application instance handle associated with the EFI_BIS protocol.
EFI_INVALID_PARAMETER	The <i>ToFree</i> parameter is not or is no longer a memory resource associated with this <i>AppHandle</i> .
EFI_OUT_OF_RESOURCES	The function failed due to lack of memory or other resources.

## EFI\_BIS\_PROTOCOL.GetBootObjectAuthorizationCertificate()

### Summary

Retrieves the certificate that has been configured as the identity of the organization designated as the source of authorization for signatures of boot objects.

### Prototype

```
typedef
EFI_STATUS
(EFIAPI *EFI_BIS_GET_BOOT_OBJECT_AUTHORIZATION_CERTIFICATE) (
    IN  BIS_APPLICATION_HANDLE  AppHandle,
    OUT EFI_BIS_DATA            **Certificate
);
```

### Parameters

<i>AppHandle</i>	An opaque handle that identifies the caller's instance of initialization of the BIS service. Type <b>BIS_APPLICATION_HANDLE</b> is defined in the <b>Initialize()</b> function description.
<i>Certificate</i>	The function writes an allocated <b>EFI_BIS_DATA*</b> containing the Boot Object Authorization Certificate object. The caller must eventually free the memory allocated by this function using the function <b>Free()</b> . Type <b>EFI_BIS_DATA</b> is defined in the <b>Initialize()</b> function description.

### Description

This function retrieves the certificate that has been configured as the identity of the organization designated as the source of authorization for signatures of boot objects.

### Status Codes Returned

EFI_SUCCESS	The function completed successfully.
EFI_NO_MAPPING	The <i>AppHandle</i> parameter is not or is no longer a valid application instance handle associated with the EFI_BIS protocol.
EFI_NOT_FOUND	There is no Boot Object Authorization Certificate currently installed.
EFI_OUT_OF_RESOURCES	The function failed due to lack of memory or other resources.
EFI_INVALID_PARAMETER	The <i>Certificate</i> parameter supplied by the caller is <b>NULL</b> or an invalid memory reference.

## EFI\_BIS\_PROTOCOL.GetBootObjectAuthorizationCheckFlag()

### Summary

Retrieves the current status of the Boot Authorization Check Flag.

### Prototype

```
typedef
EFI_STATUS
(EFIAPI *EFI_BIS_GET_BOOT_OBJECT_AUTHORIZATION_CHECKFLAG) (
    IN BIS_APPLICATION_HANDLE  AppHandle,
    OUT BOOLEAN                 *CheckIsRequired
);
```

### Parameters

- AppHandle* An opaque handle that identifies the caller's instance of initialization of the BIS service. Type **BIS\_APPLICATION\_HANDLE** is defined in the **Initialize()** function description.
- CheckIsRequired* The function writes the value **TRUE** if a Boot Authorization Check is currently required on this platform, otherwise the function writes **FALSE**.

### Description

This function retrieves the current status of the Boot Authorization Check Flag (in other words, whether or not a Boot Authorization Check is currently required on this platform).

### Status Codes Returned

EFI_SUCCESS	The function completed successfully.
EFI_NO_MAPPING	The <i>AppHandle</i> parameter is not or is no longer a valid application instance handle associated with the EFI_BIS protocol.
EFI_OUT_OF_RESOURCES	The function failed due to lack of memory or other resources.
EFI_INVALID_PARAMETER	The <i>CheckIsRequired</i> parameter supplied by the caller is <b>NULL</b> or an invalid memory reference.

## EFI\_BIS\_PROTOCOL.GetBootObjectAuthorizationUpdateToken()

### Summary

Retrieves a unique token value to be included in the request credential for the next update of any parameter in the Boot Object Authorization set (Boot Object Authorization Certificate and Boot Authorization Check Flag).

### Prototype

```
typedef
EFI_STATUS
(EFIAPI *EFI_BIS_GET_BOOT_OBJECT_AUTHORIZATION_UPDATE_TOKEN) (
    IN  BIS_APPLICATION_HANDLE  AppHandle,
    OUT EFI_BIS_DATA            **UpdateToken
);
```

### Parameters

*AppHandle* An opaque handle that identifies the caller's instance of initialization of the BIS service. Type **BIS\_APPLICATION\_HANDLE** is defined in the **Initialize()** function description.

*UpdateToken* The function writes an allocated **EFI\_BIS\_DATA\*** containing the new unique update token value. The caller must eventually free the memory allocated by this function using the function **Free()**. Type **EFI\_BIS\_DATA** is defined in the **Initialize()** function description.

### Description

This function retrieves a unique token value to be included in the request credential for the next update of any parameter in the Boot Object Authorization set (Boot Object Authorization Certificate and Boot Authorization Check Flag). The token value is unique to this platform, parameter set, and instance of parameter values. In particular, the token changes to a new unique value whenever any parameter in this set is changed.

### Status Codes Returned

EFI_SUCCESS	The function completed successfully.
EFI_NO_MAPPING	The <i>AppHandle</i> parameter is not or is no longer a valid application instance handle associated with the EFI_BIS protocol.
EFI_OUT_OF_RESOURCES	The function failed due to lack of memory or other resources.
EFI_DEVICE_ERROR	The function encountered an unexpected internal error in a cryptographic software module.
EFI_INVALID_PARAMETER	The <i>UpdateToken</i> parameter supplied by the caller is <b>NULL</b> or an invalid memory reference.

## EFI\_BIS\_PROTOCOL.GetSignatureInfo()

### Summary

Retrieves a list of digital certificate identifier, digital signature algorithm, hash algorithm, and key-length combinations that the platform supports.

### Prototype

```
typedef
EFI_STATUS
(EFIAPI *EFI_BIS_GET_SIGNATURE_INFO) (
    IN  BIS_APPLICATION_HANDLE  AppHandle,
    OUT EFI_BIS_DATA            **SignatureInfo
);
```

### Parameters

*AppHandle*

An opaque handle that identifies the caller's instance of initialization of the BIS service. Type **BIS\_APPLICATION\_HANDLE** is defined in the **Initialize()** function description.

*SignatureInfo*

The function writes an allocated **EFI\_BIS\_DATA\*** containing the array of **EFI\_BIS\_SIGNATURE\_INFO** structures representing the supported digital certificate identifier, algorithm, and key length combinations. The caller must eventually free the memory allocated by this function using the function **Free()**. Type **EFI\_BIS\_DATA** is defined in the **Initialize()** function description. Type **EFI\_BIS\_SIGNATURE\_INFO** is defined in "Related Definitions" below.

### Related Definitions

```
/**
//*****
// EFI_BIS_SIGNATURE_INFO
//*****
typedef struct _EFI_BIS_SIGNATURE_INFO {
    BIS_CERT_ID      CertificateID;
    BIS_ALG_ID       AlgorithmID;
    UINT16           KeyLength;
} EFI_BIS_SIGNATURE_INFO;
```

*CertificateID*

A shortened value identifying the platform's currently configured Boot Object Authorization Certificate, if one is currently configured. The shortened value is derived from the certificate as defined in the Related Definition for **BIS\_CERT\_ID** below. If there is no certificate currently configured, the value is one of the reserved **BIS\_CERT\_ID\_XXX** values defined below. Type

**BIS\_CERT\_ID** and its predefined reserved values are defined in “Related Definitions” below.

*AlgorithmID* A predefined constant representing a particular digital signature algorithm. Often this represents a combination of hash algorithm and encryption algorithm, however, it may also represent a standalone digital signature algorithm. Type **BIS\_ALG\_ID** and its permitted values are defined in “Related Definitions” below.

*KeyLength* The length of the public key, in bits, supported by this digital signature algorithm.

This type defines a digital certificate, digital signature algorithm, and key-length combination that may be supported by the BIS implementation. This type is returned by **GetSignatureInfo()** to describe the combination(s) supported by the implementation.

```

//*****
// BIS_GET_SIGINFO_COUNT macro
// Tells how many EFI_BIS_SIGNATURE_INFO elements are contained
// in a EFI_BIS_DATA struct pointed to by the provided
// EFI_BIS_DATA*.
//*****
#define BIS_GET_SIGINFO_COUNT(BisDataPtr) \
    ((BisDataPtr)->Length/sizeof(EFI_BIS_SIGNATURE_INFO))

```

*BisDataPtr* Supplies the pointer to the target **EFI\_BIS\_DATA** structure.

*(return value)* The number of **EFI\_BIS\_SIGNATURE\_INFO** elements contained in the array.

This macro computes how many **EFI\_BIS\_SIGNATURE\_INFO** elements are contained in an **EFI\_BIS\_DATA** structure returned from **GetSignatureInfo()**. The number returned is the count of items in the list of supported digital certificate, digital signature algorithm, and key-length combinations.

```

//*****
// BIS_GET_SIGINFO_ARRAY macro
// Produces a EFI_BIS_SIGNATURE_INFO* from a given
// EFI_BIS_DATA*.
//*****
#define BIS_GET_SIGINFO_ARRAY(BisDataPtr) \
    ((EFI_BIS_SIGNATURE_INFO*) (BisDataPtr)->Data)

```

*BisDataPtr* Supplies the pointer to the target **EFI\_BIS\_DATA** structure.

*(return value)* The pointer to the **EFI\_BIS\_SIGNATURE\_INFO** array, cast as an **EFI\_BIS\_SIGNATURE\_INFO\***.

This macro returns a pointer to the **EFI\_BIS\_SIGNATURE\_INFO** array contained in an **EFI\_BIS\_DATA** structure returned from **GetSignatureInfo()** representing the list of supported digital certificate, digital signature algorithm, and key-length combinations.

```

//*****
// BIS_CERT_ID
//*****
typedef UINT32          BIS_CERT_ID;

```

This type represents a shortened value that identifies the platform’s currently configured Boot Object Authorization Certificate. The value is the first four bytes, in “little-endian” order, of the SHA-1 hash of the certificate, except that the most-significant bits of the second and third bytes are reserved, and must be set to zero regardless of the outcome of the hash function. This type is included in the array of values returned from the **GetSignatureInfo()** function to indicate the required source of a signature for a boot object or a configuration update request. There are a few predefined reserved values with special meanings as described below.

```

//*****
// BIS_CERT_ID predefined values
// Currently defined values for EFI_BIS_SIGNATURE_INFO.
// CertificateId.
//*****
#define BIS_CERT_ID_DSA      BIS_ALG_DSA      //CSSM_ALGID_DSA
#define BIS_CERT_ID_RSA_MD5 BIS_ALG_RSA_MD5  //CSSM_ALGID_MD5_WITH_RSA

```

These C preprocessor symbols provide values for the **BIS\_CERT\_ID** type. These values are used when the platform has no configured Boot Object Authorization Certificate. They indicate the signature algorithm that is supported by the platform. Users must be careful to avoid constructing Boot Object Authorization Certificates that transform to **BIS\_CERT\_ID** values that collide with these predefined values or with the **BIS\_CERT\_ID** values of other Boot Object Authorization Certificates they use.

```

//*****
// BIS_CERT_ID_MASK
// The following is a mask value that gets applied to the
// truncated hash of a platform Boot Object Authorization
// Certificate to create the CertificateId. A CertificateId
// must not have any bits set to the value 1 other than bits in
// this mask.
//*****
#define BIS_CERT_ID_MASK (0xFF7F7FFF)

```

This C preprocessor symbol may be used as a bit-wise “AND” value to transform the first four bytes (in little-endian order) of a SHA-1 hash of a certificate into a certificate ID with the “reserved” bits properly set to zero.



```

//*****
// BIS_ALG_ID
//*****
typedef UINT16          BIS_ALG_ID;

```

This type represents a digital signature algorithm. A digital signature algorithm is often composed of a particular combination of secure hash algorithm and encryption algorithm. This type also allows for digital signature algorithms that cannot be decomposed. Predefined values for this type are as defined below.

```

//*****
// BIS_ALG_ID predefined values
//   Currently defined values for EFI_BIS_SIGNATURE_INFO.
//   AlgorithmID. The exact numeric values come from "Common
//   Data Security Architecture (CDSA) Specification."
//*****
#define BIS_ALG_DSA      (41)    //CSSM_ALGID_DSA
#define BIS_ALG_RSA_MD5 (42)    //CSSM_ALGID_MD5_WITH_RSA

```

These values represent the two digital signature algorithms predefined for BIS. Each implementation of BIS must support at least one of these digital signature algorithms. Values for the digital signature algorithms are chosen by an industry group known as The Open Group. Developers planning to support additional digital signature algorithms or define new digital signature algorithms should refer to The Open Group for interoperable values to use.

## Description

This function retrieves a list of digital certificate identifier, digital signature algorithm, hash algorithm, and key-length combinations that the platform supports. The list is an array of (certificate id, algorithm id, key length) triples, where the certificate id is derived from the platform's Boot Object Authorization Certificate as described in the Related Definition for **BIS\_CERT\_ID** above, the algorithm id represents the combination of signature algorithm and hash algorithm, and the key length is expressed in bits. The number of array elements can be computed using the *Length* field of the retrieved **EFI\_BIS\_DATA\***.

The retrieved list is in order of preference. A digital signature algorithm for which the platform has a currently configured Boot Object Authorization Certificate is preferred over any digital signature algorithm for which there is not a currently configured Boot Object Authorization Certificate. Thus the first element in the list has a *CertificateID* representing a Boot Object Authorization Certificate if the platform has one configured. Otherwise the *CertificateID* of the first element in the list is one of the reserved values representing a digital signature algorithm.

## Status Codes Returned

EFI_SUCCESS	The function completed successfully.
EFI_NO_MAPPING	The <i>AppHandle</i> parameter is not or is no longer a valid application instance handle associated with the EFI_BIS protocol.
EFI_OUT_OF_RESOURCES	The function failed due to lack of memory or other resources.
EFI_DEVICE_ERROR	The function encountered an unexpected internal error in a cryptographic software module, or The function encountered an unexpected internal consistency check failure (possible corruption of stored Boot Object Authorization Certificate).
EFI_INVALID_PARAMETER	The <i>SignatureInfo</i> parameter supplied by the caller is <b>NULL</b> or an invalid memory reference.

## EFI\_BIS\_PROTOCOL.UpdateBootObjectAuthorization()

### Summary

Updates one of the configurable parameters of the Boot Object Authorization set (Boot Object Authorization Certificate or Boot Authorization Check Flag).

### Prototype

```
typedef
EFI_STATUS
(EFIAPI *EFI_BIS_UPDATE_BOOT_OBJECT_AUTHORIZATION) (
    IN  BIS_APPLICATION_HANDLE AppHandle,
    IN  EFI_BIS_DATA           *RequestCredential,
    OUT EFI_BIS_DATA           **NewUpdateToken
);
```

### Parameters

*AppHandle*

An opaque handle that identifies the caller's instance of initialization of the BIS service. Type **BIS\_APPLICATION\_HANDLE** is defined in the **Initialize()** function description.

*RequestCredential*

This is a Signed Manifest with embedded attributes that carry the details of the requested update. The required syntax of the Signed Manifest is described in the Related Definition for Manifest Syntax below. The key used to sign the request credential must be the private key corresponding to the public key in the platform's configured Boot Object Authorization Certificate. Authority to update parameters in the Boot Object Authorization set cannot be delegated.

If there is no Boot Object Authorization Certificate, the request credential may be signed with any private key. In this case, this function interacts with the user in a platform-specific way to determine whether the operation should succeed. Type **EFI\_BIS\_DATA** is defined in the **Initialize()** function description.

*NewUpdateToken*

The function writes an allocated **EFI\_BIS\_DATA\*** containing the new unique update token value. The caller must eventually free the memory allocated by this function using the function **Free()**. Type **EFI\_BIS\_DATA** is defined in the **Initialize()** function description.

## Related Definitions

```
//*****  
// Manifest Syntax  
//*****
```

The Signed Manifest consists of three parts grouped together into an Electronic Shrink Wrap archive as described in [SM spec]: a manifest file, a signer’s information file, and a signature block file. These three parts, along with examples are described in the following sections. In these examples, text in parentheses is a description of the text that would appear in the signed manifest. Text outside of parentheses must appear exactly as shown. Also note that manifest files and signer’s information files must conform to a 72-byte line-length limit. Continuation lines (lines beginning with a single “space” character) are used for lines longer than 72 bytes. The examples given here follow this rule for continuation lines.

Note that the manifest file and signer’s information file parts of a Signed Manifest are ASCII (not Unicode) text files. In cases where these files contain a base-64 encoded string, the string is an ASCII (not Unicode) string before base-64 encoding.

```
//*****  
// Manifest File Example  
//*****
```

The manifest file must include a section referring to a memory-type data object with the reserved name as shown in the example below. This data object is a zero-length object whose sole purpose in the manifest is to serve as a named collection point for the attributes that carry the details of the requested update. The attributes are also contained in the manifest file. An example manifest file is shown below.

```
Manifest-Version: 2.0
ManifestPersistentId: (base-64 representation of a unique GUID)

Name: memory:UpdateRequestParameters
Digest-Algorithms: SHA-1
SHA-1-Digest: (base-64 representation of a SHA-1 digest of zero-length
buffer)
X-Intel-BIS-ParameterSet: (base-64 representation of
BootObjectAuthorizationSetGUID)
X-Intel-BIS-ParameterSetToken: (base-64 representation of the current
update token)
X-Intel-BIS-ParameterId: (base-64 representation of
"BootObjectAuthorizationCertificate" or
"BootAuthorizationCheckFlag")
X-Intel-BIS-ParameterValue: (base-64 representation of
certificate or
single-byte boolean flag)
```

A line-by-line description of this manifest file is as follows.

```
Manifest-Version: 2.0
```

This is a standard header line that all signed manifests have. It must appear exactly as shown.

```
ManifestPersistentId: (base-64 representation of a unique GUID)
```

The left-hand string must appear exactly as shown. The right-hand string must be a unique GUID for every manifest file created. The Win32 function UuidCreate() can be used for this on Win32 systems. The GUID is a binary value that must be base-64 encoded. Base-64 is a simple encoding scheme for representing binary values that uses only printing characters. Base-64 encoding is described in [BASE-64].

```
Name: memory:UpdateRequestParameters
```

This identifies the manifest section that carries a dummy zero-length data object serving as the collection point for the attribute values appearing later in this manifest section (lines prefixed with “**X-Intel-BIS-**”). The string “**memory:UpdateRequestParameters**” must appear exactly as shown.

```
Digest-Algorithms: SHA-1
```

This enumerates the digest algorithms for which integrity data is included for the data object. These are required even though the data object is zero-length. For systems with DSA signing, SHA-1 hash, and 1024-bit key length, the digest algorithm must be “**SHA-1**.” For systems with RSA signing, MD5 hash, and 512-bit key length, the digest algorithm must be “**MD5**.” Multiple algorithms can be specified as a whitespace-separated list. For every digest algorithm **XXX** listed, there must also be a corresponding **XXX-Digest** line.

```
SHA-1-Digest: (base-64 representation of a SHA-1 digest of zero-length
buffer)
```

Gives the corresponding digest value for the dummy zero-length data object. The value is base-64 encoded. Note that for both MD5 and SHA-1, the digest value for a zero-length data object is not zero.

```
X-Intel-BIS-ParameterSet: (base-64 representation of
BootObjectAuthorizationSetGUID)
```

A named attribute value that distinguishes updates of BIS parameters from updates of other parameters. The left-hand attribute-name keyword must appear exactly as shown. The GUID value for the right-hand side is always the same, and can be found under the preprocessor symbol

**BOOT\_OBJECT\_AUTHORIZATION\_PARMSET\_GUIDVALUE**. The representation inserted into the manifest is base-64 encoded.

Note the “**X-Intel-BIS-**” prefix on this and the following attributes. The “**X-**” part of the prefix was chosen to avoid collisions with future reserved keywords defined by future versions of the signed manifest specification. The “**Intel-BIS-**” part of the prefix was chosen to avoid collisions with other user-defined attribute names within the user-defined attribute name space.

X-Intel-BIS-ParameterSetToken: (base-64 representation of the current update token)

A named attribute value that makes this update of BIS parameters different from any other on the same target platform. The left-hand attribute-name keyword must appear exactly as shown. The value for the right-hand side is generally different for each update-request manifest generated. The value to be base-64 encoded is retrieved through the functions

**GetBootObjectAuthorizationUpdateToken()** or  
**UpdateBootObjectAuthorization()**.

X-Intel-BIS-ParameterId: (base-64 representation of “BootObjectAuthorizationCertificate” or “BootAuthorizationCheckFlag”)

A named attribute value that indicates which BIS parameter is to be updated. The left-hand attribute-name keyword must appear exactly as shown. The value for the right-hand side is the base-64 encoded representation of one of the two strings shown.

X-Intel-BIS-ParameterValue: (base-64 representation of certificate or single-byte boolean flag)

A named attribute value that indicates the new value to be set for the indicated parameter. The left-hand attribute-name keyword must appear exactly as shown. The value for the right-hand side is the appropriate base-64 encoded new value to be set. In the case of the Boot Object Authorization Certificate, the value is the new digital certificate raw data. A zero-length value removes the certificate altogether. In the case of the Boot Authorization Check Flag, the value is a single-byte Boolean value, where a nonzero value “turns on” the check and a zero value “turns off” the check.

```
//*****  
// Signer's Information File Example  
//*****
```

The signer’s information file must include a section whose name matches the reserved data object section name of the section in the Manifest file. This section in the signer’s information file carries the integrity data for the attributes in the corresponding section in the manifest file. An example signer’s information file is shown below.

```
Signature-Version: 2.0
SignerInformationPersistentId: (base-64 representation of a unique
  GUID)
SignerInformationName: BIS_UpdateManifestSignerInfoName

Name: memory:UpdateRequestParameters
Digest-Algorithms: SHA-1
SHA-1-Digest: (base-64 representation of a SHA-1 digest of the
  corresponding manifest section)
```

A line-by-line description of this signer's information file is as follows.

```
Signature-Version: 2.0
```

This is a standard header line that all signed manifests have. It must appear exactly as shown.

```
SignerInformationPersistentId: (base-64 representation of a unique
  GUID)
```

The left-hand string must appear exactly as shown. The right-hand string must be a unique GUID for every signer's information file created. The Win32 function UuidCreate() can be used for this on Win32 systems. The GUID is a binary value that must be base-64 encoded. Base-64 is a simple encoding scheme for representing binary values that uses only printing characters. Base-64 encoding is described in [BASE-64].

```
SignerInformationName: BIS_UpdateManifestSignerInfoName
```

The left-hand string must appear exactly as shown. The right-hand string must appear exactly as shown.

```
Name: memory:UpdateRequestParameters
```

This identifies the section in the signer's information file corresponding to the section with the same name in the manifest file described earlier. The string "**memory:UpdateRequestParameters**" must appear exactly as shown.

```
Digest-Algorithms: SHA-1
```

This enumerates the digest algorithms for which integrity data is included for the corresponding manifest section. Strings identifying digest algorithms are the same as in the manifest file. The digest algorithms specified here must match those specified in the manifest file. For every digest algorithm **XXX** listed, there must also be a corresponding **XXX-Digest** line.

```
SHA-1-Digest: (base-64 representation of a SHA-1 digest of the
  corresponding manifest section)
```

Gives the corresponding digest value for the corresponding manifest section. The value is base-64 encoded. Note that for the purpose of computing the hash of the manifest section, the manifest section starts at the beginning of the opening "**Name:**" keyword and continues up to, but not including, the next section's "**Name:**" keyword or the end-of-file. Thus the hash includes the blank line(s) at the end of a section and any newline(s) preceding the next "**Name:**" keyword or end-of-file.

```
//*****
// Signature Block File Example
//*****
```

A signature block file is a raw binary file (not base-64 encoded) that is a PKCS#7 defined format signature block. The signature block covers exactly the contents of the signer's information file.

There must be a correspondence between the name of the signer's information file and the signature block file. The base name matches, and the three-character extension is modified to reflect the signature algorithm used according to the following rules:

- DSA signature algorithm (which uses SHA-1 hash): extension is DSA.
- RSA signature algorithm with MD5 hash: extension is RSA.

So for example with a signer's information file name of "myinfo.SF," the corresponding DSA signature block file name would be "myinfo.DSA."

The format of a signature block file is defined in [PKCS].

```
//*****  
// "X-Intel-BIS-ParameterSet" Attribute value  
// Binary Value of "X-Intel-BIS-ParameterSet" Attribute.  
// (Value is Base-64 encoded in actual signed manifest).  
//*****  
  
#define BOOT_OBJECT_AUTHORIZATION_PARMSET_GUID \  
    {0xedd35e31,0x7b9,0x11d2,0x83,0xa3,0x0,0xa0,0xc9,0x1f,0xad,0xcf}
```

This preprocessor symbol gives the value for an attribute inserted in signed manifests to distinguish updates of BIS parameters from updates of other parameters. The representation inserted into the manifest is base-64 encoded.



## Description

This function updates one of the configurable parameters of the Boot Object Authorization set (Boot Object Authorization Certificate or Boot Authorization Check Flag). It passes back a new unique update token that must be included in the request credential for the next update of any parameter in the Boot Object Authorization set. The token value is unique to this platform, parameter set, and instance of parameter values. In particular, the token changes to a new unique value whenever any parameter in this set is changed.

## Status Codes Returned

EFI_SUCCESS	The function completed successfully.
EFI_NO_MAPPING	The <i>AppHandle</i> parameter is not or is no longer a valid application instance handle associated with the EFI_BIS protocol.
EFI_OUT_OF_RESOURCES	The function failed due to lack of memory or other resources.
EFI_DEVICE_ERROR	The function encountered an unexpected internal error in a cryptographic software module.
EFI_SECURITY_VIOLATION	The signed manifest supplied as the <i>RequestCredential</i> parameter was invalid (could not be parsed), or The signed manifest supplied as the <i>RequestCredential</i> parameter failed to verify using the installed Boot Object Authorization Certificate or the signer's Certificate in <i>RequestCredential</i> , or Platform-specific authorization failed, or
EFI_SECURITY_VIOLATION	The signed manifest supplied as the <i>RequestCredential</i> parameter did not include the <b>X-Intel-BIS-ParameterSet</b> attribute value, or The <b>X-Intel-BIS-ParameterSet</b> attribute value supplied did not match the required GUID value, or The signed manifest supplied as the <i>RequestCredential</i> parameter did not include the <b>X-Intel-BIS-ParameterSetToken</b> attribute value, or The <b>X-Intel-BIS-ParameterSetToken</b> attribute value supplied did not match the platform's current update-token value, or The signed manifest supplied as the <i>RequestCredential</i> parameter did not include the <b>X-Intel-BIS-ParameterId</b> attribute value, or The <b>X-Intel-BIS-ParameterId</b> attribute value supplied did not match one of the permitted values, or

	<p>The signed manifest supplied as the <i>RequestCredential</i> parameter did not include the <b>X-Intel-BIS-ParameterValue</b> attribute value,</p> <p>or</p> <p>Any other required attribute value was missing,</p> <p>or</p> <p>The new certificate supplied was too big to store,</p> <p>or</p> <p>The new certificate supplied was invalid (could not be parsed),</p> <p>or</p> <p>The new certificate supplied had an unsupported combination of key algorithm and key length,</p> <p>or</p> <p>The new check flag value supplied is the wrong length (1 byte),</p> <p>or</p> <p>The signed manifest supplied as the <i>RequestCredential</i> parameter did not include a signer certificate,</p> <p>or</p> <p>The signed manifest supplied as the <i>RequestCredential</i> parameter did not include the manifest section named <b>"memory:UpdateRequestParameters,"</b></p> <p>or</p>
EFI_SECURITY_VIOLATION	<p>The signed manifest supplied as the <i>RequestCredential</i> parameter had a signing certificate with an unsupported public-key algorithm,</p> <p>or</p> <p>The manifest section named <b>"memory:UpdateRequestParameters"</b> did not include a digest with a digest algorithm corresponding to the signing certificate's public key algorithm,</p> <p>or</p> <p>The zero-length data object referenced by the manifest section named <b>"memory:UpdateRequestParameters"</b> did not verify with the digest supplied in that manifest section,</p> <p>or</p> <p>The signed manifest supplied as the <i>RequestCredential</i> parameter did not include a signer's information file with the <b>SignerInformationName</b> identifying attribute value <b>"BIS_UpdateManifestSignerInfoName,"</b></p> <p>or</p> <p>There were no signers associated with the identified signer's information file,</p> <p>or</p> <p>There was more than one signer associated with the identified signer's information file,</p> <p>or</p> <p>Any other unspecified security violation occurred.</p>

EFI_DEVICE_ERROR	<p>An unexpected internal error occurred while analyzing the new certificate's key algorithm,</p> <p>or</p> <p>An unexpected internal error occurred while attempting to retrieve the public key algorithm of the manifest's signer's certificate,</p> <p>or</p> <p>An unexpected internal error occurred in a cryptographic software module.</p>
EFI_INVALID_PARAMETER	<p>The <i>RequestCredential</i> parameter supplied by the caller is <b>NULL</b> or an invalid memory reference,</p> <p>or</p> <p>The <i>RequestCredential.Data</i> parameter supplied by the caller is <b>NULL</b> or an invalid memory reference,</p> <p>or</p> <p>The <i>NewUpdateToken</i> parameter supplied by the caller is <b>NULL</b> or an invalid memory reference.</p>

## EFI\_BIS\_PROTOCOL.VerifyBootObject()

### Summary

Verifies the integrity and authorization of the indicated data object according to the indicated credentials.

### Prototype

```
typedef
EFI_STATUS
(EFIAPI *EFI_BIS_VERIFY_BOOT_OBJECT) (
    IN  BIS_APPLICATION_HANDLE  AppHandle,
    IN  EFI_BIS_DATA             *Credentials,
    IN  EFI_BIS_DATA             *DataObject,
    OUT BOOLEAN                  *IsVerified
);
```

### Parameters

<i>AppHandle</i>	An opaque handle that identifies the caller's instance of initialization of the BIS service. Type <b><u>BIS_APPLICATION_HANDLE</u></b> is defined in the <b><u>Initialize()</u></b> function description.
<i>Credentials</i>	A Signed Manifest containing verification information for the indicated data object. The Manifest signature itself must meet the requirements described below. This parameter is optional if a Boot Authorization Check is currently not required on this platform ( <i>Credentials.Data</i> may be <b>NULL</b> ), otherwise this parameter is required. The required syntax of the Signed Manifest is described in the Related Definition for Manifest Syntax below. Type <b><u>EFI_BIS_DATA</u></b> is defined in the <b><u>Initialize()</u></b> function description.
<i>DataObject</i>	An in-memory copy of the raw data object to be verified. Type <b><u>EFI_BIS_DATA</u></b> is defined in the <b><u>Initialize()</u></b> function description.
<i>IsVerified</i>	The function writes <b>TRUE</b> if the verification succeeded, otherwise <b>FALSE</b> .

## Related Definitions

```
//*****  
// Manifest Syntax  
//*****
```

The Signed Manifest consists of three parts grouped together into an Electronic Shrink Wrap archive as described in [SM spec]: a manifest file, a signer's information file, and a signature block file. These three parts along with examples are described in the following sections. In these examples, text in parentheses is a description of the text that would appear in the signed manifest. Text outside of parentheses must appear exactly as shown. Also note that manifest files and signer's information files must conform to a 72-byte line-length limit. Continuation lines (lines beginning with a single "space" character) are used for lines longer than 72 bytes. The examples given here follow this rule for continuation lines.

Note that the manifest file and signer's information file parts of a Signed Manifest are ASCII (not Unicode) text files. In cases where these files contain a base-64 encoded string, the string is an ASCII (not Unicode) string before base-64 encoding.

```
//*****  
// Manifest File Example  
//*****
```

The manifest file must include a section referring to a memory-type data object with the reserved name as shown in the example below. This data object is the Boot Object to be verified. An example manifest file is shown below.

```
Manifest-Version: 2.0  
ManifestPersistentId: (base-64 representation of a unique GUID)  
  
Name: memory:BootObject  
Digest-Algorithms: SHA-1  
SHA-1-Digest: (base-64 representation of a SHA-1 digest of the  
boot object)
```

A line-by-line description of this manifest file is as follows.

```
Manifest-Version: 2.0
```

This is a standard header line that all signed manifests have. It must appear exactly as shown.

```
ManifestPersistentId: (base-64 representation of a unique GUID)
```

The left-hand string must appear exactly as shown. The right-hand string must be a unique GUID for every manifest file created. The Win32 function UuidCreate() can be used for this on Win32 systems. The GUID is a binary value that must be base-64 encoded. Base-64 is a simple encoding scheme for representing binary values that uses only printing characters. Base-64 encoding is described in [BASE-64].

```
Name: memory:BootObject
```

This identifies the section that carries the integrity data for the Boot Object. The string “**memory:BootObject**” must appear exactly as shown. Note that the Boot Object cannot be found directly from this manifest. A caller verifying the Boot Object integrity must load the Boot Object into memory and specify its memory location explicitly to this verification function through the *DataObject* parameter.

```
Digest-Algorithms: SHA-1
```

This enumerates the digest algorithms for which integrity data is included for the data object. For systems with DSA signing, SHA-1 hash, and 1024-bit key length, the digest algorithm must be “**SHA-1**.” For systems with RSA signing, MD5 hash, and 512-bit key length, the digest algorithm must be “**MD5**.” Multiple algorithms can be specified as a whitespace-separated list. For every digest algorithm **XXX** listed, there must also be a corresponding **XXX-Digest** line.

```
SHA-1-Digest: (base-64 representation of a SHA-1 digest of the boot object)
```

Gives the corresponding digest value for the data object. The value is base-64 encoded.

```
//*****  
// Signer's Information File Example  
//*****
```

The signer’s information file must include a section whose name matches the reserved data object section name of the section in the Manifest file. This section in the signer’s information file carries the integrity data for the corresponding section in the manifest file. An example signer’s information file is shown below.

```
Signature-Version: 2.0  
SignerInformationPersistentId: (base-64 representation of a  
    unique GUID)  
SignerInformationName: BIS_VerifiableObjectSignerInfoName  
  
Name: memory:BootObject  
Digest-Algorithms: SHA-1  
SHA-1-Digest: (base-64 representation of a SHA-1 digest of the  
    corresponding manifest section)
```

A line-by-line description of this signer’s information file is as follows.

```
Signature-Version: 2.0
```

This is a standard header line that all signed manifests have. It must appear exactly as shown.

```
SignerInformationPersistentId: (base-64 representation of a unique GUID)
```

The left-hand string must appear exactly as shown. The right-hand string must be a unique GUID for every signer’s information file created. The Win32 function `UuidCreate()` can be used for this on Win32 systems. The GUID is a binary value that must be base-64 encoded. Base-64 is a simple encoding scheme for representing binary values that uses only printing characters. Base-64 encoding is described in [BASE-64].

```
SignerInformationName: BIS_VerifiableObjectSignerInfoName
```

The left-hand string must appear exactly as shown. The right-hand string must appear exactly as shown.

```
Name: memory:BootObject
```

This identifies the section in the signer's information file corresponding to the section with the same name in the manifest file described earlier. The string "**memory:BootObject**" must appear exactly as shown.

```
Digest-Algorithms: SHA-1
```

This enumerates the digest algorithms for which integrity data is included for the corresponding manifest section. Strings identifying digest algorithms are the same as in the manifest file. The digest algorithms specified here must match those specified in the manifest file. For every digest algorithm **XXX** listed, there must also be a corresponding **XXX-Digest** line.

```
SHA-1-Digest: (base-64 representation of a SHA-1 digest of the  
corresponding manifest section)
```

Gives the corresponding digest value for the corresponding manifest section. The value is base-64 encoded. Note that for the purpose of computing the hash of the manifest section, the manifest section starts at the beginning of the opening "**Name:**" keyword and continues up to, but not including, the next section's "**Name:**" keyword or the end-of-file. Thus the hash includes the blank line(s) at the end of a section and any newline(s) preceding the next "**Name:**" keyword or end-of-file.

```
//*****  
// Signature Block File Example  
//*****
```

A signature block file is a raw binary file (not base-64 encoded) that is a PKCS#7 defined format signature block. The signature block covers exactly the contents of the signer's information file. There must be a correspondence between the name of the signer's information file and the signature block file. The base name matches, and the three-character extension is modified to reflect the signature algorithm used according to the following rules:

- DSA signature algorithm (which uses SHA-1 hash): extension is DSA.
- RSA signature algorithm with MD5 hash: extension is RSA.

So for example with a signer's information file name of "myinfo.SF," the corresponding DSA signature block file name would be "myinfo.DSA."

The format of a signature block file is defined in [PKCS].

## Description

This function verifies the integrity and authorization of the indicated data object according to the indicated credentials. The rules for successful verification depend on whether or not a Boot Authorization Check is currently required on this platform.

If a Boot Authorization Check is *not* currently required on this platform, no authorization check is performed. However, the following rules are applied for an integrity check:

- In this case, the credentials are optional. If they are *not* supplied (*Credentials.Data* is **NULL**), no integrity check is performed, and the function returns immediately with a “success” indication and *IsVerified* is **TRUE**.
- If the credentials *are* supplied (*Credentials.Data* is other than **NULL**), integrity checks are performed as follows:
  - Verify the credentials – The credentials parameter is a valid signed Manifest, with a single signer. The signer’s identity is included in the credential as a certificate.
  - Verify the data object – The Manifest must contain a section named “**memory:BootObject**,” with associated verification information (in other words, hash value). The hash value from this Manifest section must match the hash value computed over the specified *DataObject* data.
  - If these checks succeed, the function returns with a “success” indication and *IsVerified* is **TRUE**. Otherwise, *IsVerified* is **FALSE** and the function returns with a “security violation” indication.

If a Boot Authorization Check *is* currently required on this platform, authorization and integrity checks are performed. The integrity check is the same as in the case above, except that it is required. The following rules are applied:

- Verify the credentials – The credentials parameter is required in this case (*Credentials.Data* must be other than **NULL**). The credentials parameter is a valid Signed Manifest, with a single signer. The signer’s identity is included in the credential as a certificate.
- Verify the data object – The Manifest must contain a section named “**memory:BootObject**,” with associated verification information (in other words, hash value). The hash value from this Manifest section must match the hash value computed over the specified *DataObject* data.
- Do Authorization check – This happens one of two ways depending on whether or not the platform currently has a Boot Object Authorization Certificate configured.
  - If a Boot Object Authorization Certificate is not currently configured, this function interacts with the user in a platform-specific way to determine whether the operation should succeed.
  - If a Boot Object Authorization Certificate *is* currently configured, this function uses the Boot Object Authorization Certificate to determine whether the operation should succeed. The public key certified by the signer’s certificate must match the public key in the Boot Object Authorization Certificate configured for this platform. The match must be direct, that is, the signature authority cannot be delegated along a certificate chain.



- If these checks succeed, the function returns with a “success” indication and *IsVerified* is **TRUE**. Otherwise, *IsVerified* is **FALSE** and the function returns with a “security violation” indication.

Note that if a Boot Authorization Check is currently required on this platform this function *always* performs an authorization check, either through platform-specific user interaction or through a signature generated with the private key corresponding to the public key in the platform’s Boot Object Authorization Certificate.

## Status Codes Returned

EFI_SUCCESS	The function completed successfully.
EFI_NO_MAPPING	The <i>AppHandle</i> parameter is not or is no longer a valid application instance handle associated with the EFI_BIS protocol.
EFI_INVALID_PARAMETER	The <i>Credentials</i> parameter supplied by the caller is <b>NULL</b> or an invalid memory reference, or The Boot Authorization Check is currently required on this platform and the <i>Credentials.Data</i> parameter supplied by the caller is <b>NULL</b> or an invalid memory reference, or The <i>DataObject</i> parameter supplied by the caller is <b>NULL</b> or an invalid memory reference, or The <i>DataObject.Data</i> parameter supplied by the caller is <b>NULL</b> or an invalid memory reference, or The <i>IsVerified</i> parameter supplied by the caller is <b>NULL</b> or an invalid memory reference.
EFI_OUT_OF_RESOURCES	The function failed due to lack of memory or other resources.
EFI_SECURITY_VIOLATION	The signed manifest supplied as the <i>Credentials</i> parameter was invalid (could not be parsed), or The signed manifest supplied as the <i>Credentials</i> parameter failed to verify using the installed Boot Object Authorization Certificate or the signer’s Certificate in <i>Credentials</i> , or Platform-specific authorization failed, or Any other required attribute value was missing, or The signed manifest supplied as the <i>Credentials</i> parameter did not include a signer certificate, or

EFI_SECURITY_VIOLATION	<p>The signed manifest supplied as the <i>Credentials</i> parameter did not include the manifest section named “<b>memory:BootObject</b>,”</p> <p>or</p> <p>The signed manifest supplied as the <i>Credentials</i> parameter had a signing certificate with an unsupported public-key algorithm,</p> <p>or</p> <p>The manifest section named “<b>memory:BootObject</b>” did not include a digest with a digest algorithm corresponding to the signing certificate’s public key algorithm,</p> <p>or</p> <p>The data object supplied as the <i>DataObject</i> parameter and referenced by the manifest section named “<b>memory:BootObject</b>” did not verify with the digest supplied in that manifest section,</p> <p>or</p> <p>The signed manifest supplied as the <i>Credentials</i> parameter did not include a signer’s information file with the <b>SignerInformationName</b> identifying attribute value “<b>BIS_VerifiableObjectSignerInfoName</b>,”</p> <p>or</p> <p>There were no signers associated with the identified signer’s information file,</p> <p>or</p> <p>There was more than one signer associated with the identified signer’s information file,</p> <p>or</p> <p>The platform’s check flag is “on” (requiring authorization checks) but the <i>Credentials.Data</i> supplied by the caller is <b>NULL</b>,</p> <p>or</p> <p>Any other unspecified security violation occurred.</p>
EFI_DEVICE_ERROR	<p>An unexpected internal error occurred while attempting to retrieve the public key algorithm of the manifest’s signer’s certificate,</p> <p>or</p> <p>An unexpected internal error occurred in a cryptographic software module.</p>

## EFI\_BIS\_PROTOCOL.VerifyObjectWithCredential()

### Summary

Verifies the integrity and authorization of the indicated data object according to the indicated credentials and authority certificate.

### Prototype

```
typedef
EFI_STATUS
(EFIAPI *EFI_BIS_VERIFY_OBJECT_WITH_CREDENTIAL) (
    IN  BIS_APPLICATION_HANDLE  AppHandle,
    IN  EFI_BIS_DATA            *Credentials,
    IN  EFI_BIS_DATA            *DataObject,
    IN  EFI_BIS_DATA            *SectionName,
    IN  EFI_BIS_DATA            *AuthorityCertificate,
    OUT BOOLEAN                 *IsVerified
);
```

### Parameters

<i>AppHandle</i>	An opaque handle that identifies the caller's instance of initialization of the BIS service. Type <b>BIS_APPLICATION_HANDLE</b> is defined in the <b>Initialize()</b> function description.
<i>Credentials</i>	A Signed Manifest containing verification information for the indicated data object. The Manifest signature itself must meet the requirements described below. The required syntax of the Signed Manifest is described in the Related Definition of Manifest Syntax below. Type <b>EFI_BIS_DATA</b> is defined in the <b>Initialize()</b> function description.
<i>DataObject</i>	An in-memory copy of the raw data object to be verified. Type <b>EFI_BIS_DATA</b> is defined in the <b>Initialize()</b> function description.
<i>SectionName</i>	An ASCII (not Unicode) string giving the section name in the manifest holding the verification information (in other words, hash value) that corresponds to <i>DataObject</i> . Type <b>EFI_BIS_DATA</b> is defined in the <b>Initialize()</b> function description.

*AuthorityCertificate*

A digital certificate whose public key must match the signer’s public key which is found in the credentials. This parameter is optional (*AuthorityCertificate.Data* may be **NULL**). Type **EFI BIS DATA** is defined in the **Initialize()** function description.

*IsVerified*

The function writes **TRUE** if the verification was successful. Otherwise, the function writes **FALSE**.

**Related Definitions**

```
//*****
// Manifest Syntax
//*****
```

The Signed Manifest consists of three parts grouped together into an Electronic Shrink Wrap archive as described in [SM spec]: a manifest file, a signer’s information file, and a signature block file. These three parts along with examples are described in the following sections. In these examples, text in parentheses is a description of the text that would appear in the signed manifest. Text outside of parentheses must appear exactly as shown. Also note that manifest files and signer’s information files must conform to a 72-byte line-length limit. Continuation lines (lines beginning with a single “space” character) are used for lines longer than 72 bytes. The examples given here follow this rule for continuation lines.

Note that the manifest file and signer’s information file parts of a Signed Manifest are ASCII (not Unicode) text files. In cases where these files contain a base-64 encoded string, the string is an ASCII (not Unicode) string before base-64 encoding.

```
//*****
// Manifest File Example
//*****
```

The manifest file must include a section referring to a memory-type data object with the caller-chosen name as shown in the example below. This data object is the Data Object to be verified. An example manifest file is shown below.

```
Manifest-Version: 2.0
ManifestPersistentId: (base-64 representation of a unique GUID)

Name: (a memory-type data object name)
Digest-Algorithms: SHA-1
SHA-1-Digest: (base-64 representation of a SHA-1 digest of the
data object)
```

A line-by-line description of this manifest file is as follows.

```
Manifest-Version: 2.0
```

This is a standard header line that all signed manifests have. It must appear exactly as shown.

```
ManifestPersistentId: (base-64 representation of a unique GUID)
```

The left-hand string must appear exactly as shown. The right-hand string must be a unique GUID for every manifest file created. The Win32 function UuidCreate() can be used for this on Win32 systems. The GUID is a binary value that must be base-64 encoded. Base-64 is a simple encoding scheme for representing binary values that uses only printing characters. Base-64 encoding is described in [BASE-64].

```
Name: (a memory-type data object name)
```

This identifies the section that carries the integrity data for the target Data Object. The right-hand string must obey the syntax for memory-type references, that is, it is of the form **“memory:SomeUniqueName.”** The **“memory:”** part of this string must appear exactly. The **“SomeUniqueName”** part is chosen by the caller. It must be unique within the section names in this manifest file. The entire **“memory:SomeUniqueName”** string must match exactly the corresponding string in the signer’s information file described below. Furthermore, this entire string must match the value given for the *SectionName* parameter to this function. Note that the target Data Object cannot be found directly from this manifest. A caller verifying the Data Object integrity must load the Data Object into memory and specify its memory location explicitly to this verification function through the *DataObject* parameter.

```
Digest-Algorithms: SHA-1
```

This enumerates the digest algorithms for which integrity data is included for the data object. For systems with DSA signing, SHA-1 hash, and 1024-bit key length, the digest algorithm must be **“SHA-1.”** For systems with RSA signing, MD5 hash, and 512-bit key length, the digest algorithm must be **“MD5.”** Multiple algorithms can be specified as a whitespace-separated list. For every digest algorithm **XXX** listed, there must also be a corresponding **XXX-Digest** line.

```
SHA-1-Digest: (base-64 representation of a SHA-1 digest of the data object)
```

Gives the corresponding digest value for the data object. The value is base-64 encoded.

```
/**/*****  
// Signer's Information File Example  
/**/*****
```

The signer’s information file must include a section whose name matches the reserved data object section name of the section in the Manifest file. This section in the signer’s information file carries the integrity data for the corresponding section in the manifest file. An example signer’s information file is shown below.

```
Signature-Version: 2.0  
SignerInformationPersistentId: (base-64 representation of a  
unique GUID)  
SignerInformationName: BIS_VerifiableObjectSignerInfoName  
  
Name: (a memory-type data object name)  
Digest-Algorithms: SHA-1  
SHA-1-Digest: (base-64 representation of a SHA-1 digest of the  
corresponding manifest section)
```

A line-by-line description of this signer’s information file is as follows.

```
Signature-Version: 2.0
```

This is a standard header line that all signed manifests have. It must appear exactly as shown.

```
SignerInformationPersistentId: (base-64 representation of a unique GUID)
```

The left-hand string must appear exactly as shown. The right-hand string must be a unique GUID for every signer's information file created. The Win32 function UuidCreate() can be used for this on Win32 systems. The GUID is a binary value that must be base-64 encoded. Base-64 is a simple encoding scheme for representing binary values that uses only printing characters. Base-64 encoding is described in [BASE-64].

```
SignerInformationName: BIS_VerifiableObjectSignerInfoName
```

The left-hand string must appear exactly as shown. The right-hand string must appear exactly as shown.

```
Name: (a memory-type data object name)
```

This identifies the section in the signer's information file corresponding to the section with the same name in the manifest file described earlier. The right-hand string must match exactly the corresponding string in the manifest file described above.

```
Digest-Algorithms: SHA-1
```

This enumerates the digest algorithms for which integrity data is included for the corresponding manifest section. Strings identifying digest algorithms are the same as in the manifest file. The digest algorithms specified here must match those specified in the manifest file. For every digest algorithm **XXX** listed, there must also be a corresponding **XXX-Digest** line.

```
SHA-1-Digest: (base-64 representation of a SHA-1 digest of the  
corresponding manifest section)
```

Gives the corresponding digest value for the corresponding manifest section. The value is base-64 encoded. Note that for the purpose of computing the hash of the manifest section, the manifest section starts at the beginning of the opening "**Name:**" keyword and continues up to, but not including, the next section's "**Name:**" keyword or the end-of-file. Thus the hash includes the blank line(s) at the end of a section and any newline(s) preceding the next "**Name:**" keyword or end-of-file.

```
//*****  
// Signature Block File Example  
//*****
```

A signature block file is a raw binary file (not base-64 encoded) that is a PKCS#7 defined format signature block. The signature block covers exactly the contents of the signer's information file. There must be a correspondence between the name of the signer's information file and the signature block file. The base name matches, and the three-character extension is modified to reflect the signature algorithm used according to the following rules:

- DSA signature algorithm (which uses SHA-1 hash): extension is DSA.
- RSA signature algorithm with MD5 hash: extension is RSA.

So for example with a signer's information file name of "myinfo.SF," the corresponding DSA signature block file name would be "myinfo.DSA."

The format of a signature block file is defined in [PKCS].

## Description

This function verifies the integrity and authorization of the indicated data object according to the indicated credentials and authority certificate.

Both an integrity check and an authorization check are performed. The rules for a successful integrity check are:

- Verify the credentials – The credentials parameter is a valid Signed Manifest, with a single signer. The signer’s identity is included in the credential as a certificate.
- Verify the data object – The Manifest must contain a section with the name as specified by the *SectionName* parameter, with associated verification information (in other words, hash value). The hash value from this Manifest section must match the hash value computed over the data specified by the *DataObject* parameter of this function.

The authorization check is optional. It is performed only if the *AuthorityCertificate.Data* parameter is other than **NULL**. If it is other than **NULL**, the rules for a successful authorization check are:

- The *AuthorityCertificate* parameter is a valid digital certificate. There is no requirement regarding the signer (issuer) of this certificate.
- The public key certified by the signer’s certificate must match the public key in the *AuthorityCertificate*. The match must be direct, that is, the signature authority cannot be delegated along a certificate chain.

If all of the integrity and authorization check rules are met, the function returns with a “success” indication and *IsVerified* is **TRUE**. Otherwise, it returns with a nonzero specific error code and *IsVerified* is **FALSE**.

## Status Codes Returned

EFI_SUCCESS	The function completed successfully.
EFI_NO_MAPPING	The <i>AppHandle</i> parameter is not or is no longer a valid application instance handle associated with the EFI_BIS protocol.
EFI_INVALID_PARAMETER	The <i>Credentials</i> parameter supplied by the caller is <b>NULL</b> or an invalid memory reference, or The <i>Credentials.Data</i> parameter supplied by the caller is <b>NULL</b> or an invalid memory reference, or The <i>Credentials.Length</i> supplied by the caller is zero, or The <i>DataObject</i> parameter supplied by the caller is <b>NULL</b> or an invalid memory reference, or The <i>DataObject.Data</i> parameter supplied by the caller is <b>NULL</b> or an invalid memory reference, or

EFI_INVALID_PARAMETER	<p>The <i>SectionName</i> parameter supplied by the caller is <b>NULL</b> or an invalid memory reference,</p> <p>or</p> <p>The <i>SectionName.Data</i> parameter supplied by the caller is <b>NULL</b> or an invalid memory reference,</p> <p>or</p> <p>The <i>SectionName.Length</i> supplied by the caller is zero,</p> <p>or</p> <p>The <i>AuthorityCertificate</i> parameter supplied by the caller is <b>NULL</b> or an invalid memory reference,</p> <p>or</p> <p>The <i>IsVerified</i> parameter supplied by the caller is <b>NULL</b> or an invalid memory reference.</p>
EFI_OUT_OF_RESOURCES	<p>The function failed due to lack of memory or other resources.</p>
EFI_SECURITY_VIOLATION	<p>The <i>Credentials.Data</i> supplied by the caller is <b>NULL</b>,</p> <p>or</p> <p>The <i>AuthorityCertificate</i> supplied by the caller was invalid (could not be parsed),</p> <p>or</p> <p>The signed manifest supplied as <i>Credentials</i> failed to verify using the <i>AuthorityCertificate</i> supplied by the caller or the manifest's signer's certificate,</p> <p>or</p> <p>Any other required attribute value was missing,</p> <p>or</p> <p>The signed manifest supplied as the <i>Credentials</i> parameter did not include a signer certificate,</p> <p>or</p> <p>The signed manifest supplied as the <i>Credentials</i> parameter did not include the manifest section named according to <i>SectionName</i>,</p> <p>or</p> <p>The signed manifest supplied as the <i>Credentials</i> parameter had a signing certificate with an unsupported public-key algorithm,</p> <p>or</p> <p>The manifest section named according to <i>SectionName</i> did not include a digest with a digest algorithm corresponding to the signing certificate's public key algorithm,</p> <p>or</p> <p>The data object supplied as the <i>DataObject</i> parameter and referenced by the manifest section named according to <i>SectionName</i> did not verify with the digest supplied in that manifest section,</p> <p>or</p>



EFI_SECURITY_VIOLATION	<p>The signed manifest supplied as the <i>Credentials</i> parameter did not include a signer's information file with the <b>SignerInformationName</b> identifying attribute value "<b>BIS_VerifiableObjectSignerInfoName</b>,"</p> <p>or</p> <p>There were no signers associated with the identified signer's information file,</p> <p>or</p> <p>There was more than one signer associated with the identified signer's information file,</p> <p>or</p> <p>Any other unspecified security violation occurred.</p>
EFI_DEVICE_ERROR	<p>An unexpected internal error occurred while attempting to retrieve the public key algorithm of the manifest's signer's certificate,</p> <p>or</p> <p>An unexpected internal error occurred in a cryptographic software module.</p>



# Network Protocols — Managed Network

---

## 21.1 EFI Managed Network Protocol

This chapter defines the EFI Managed Network Protocol. It is split into the following two main sections:

- Managed Network Service Binding Protocol (MNSBP)
- Managed Network Protocol (MNP)

The MNP provides raw (unformatted) asynchronous network packet I/O services. These services make it possible for multiple-event-driven drivers and applications to access and use the system network interfaces at the same time.

### EFI\_MANAGED\_NETWORK\_SERVICE\_BINDING\_PROTOCOL

#### Summary

The MNSBP is used to locate communication devices that are supported by an MNP driver and to create and destroy instances of the MNP child protocol driver that can use the underlying communications device.

The EFI Service Binding Protocol in Section 2.5.8 defines the generic Service Binding Protocol functions. This section discusses the details that are specific to the MNP.

#### GUID

```
#define EFI_MANAGED_NETWORK_SERVICE_BINDING_PROTOCOL_GUID \
    {0xf36ff770, 0xa7e1, 0x42cf, 0x9ed2, 0x56, 0xf0, 0xf2, 0x71, 0xf4, 0x4c}
```

#### Description

A network application (or driver) that requires shared network access can use one of the protocol handler services, such as `BS->LocateHandleBuffer()`, to search for devices that publish an MNSBP GUID. Each device with a published MNSBP GUID supports MNP and may be available for use.

After a successful call to the `EFI_MANAGED_NETWORK_SERVICE_BINDING_PROTOCOL.CreateChild()` function, the child MNP driver instance is in an unconfigured state; it is not ready to send and receive data packets.

Before a network application terminates execution, every successful call to the `EFI_MANAGED_NETWORK_SERVICE_BINDING_PROTOCOL.CreateChild()` function must be matched with a call to the `EFI_MANAGED_NETWORK_SERVICE_BINDING_PROTOCOL.DestroyChild()` function.

# EFI\_MANAGED\_NETWORK\_PROTOCOL

## Summary

The MNP is used by network applications (and drivers) to perform raw (unformatted) asynchronous network packet I/O.

## GUID

```
#define EFI_MANAGED_NETWORK_PROTOCOL_GUID \
{0x3b95aa31,0x3793,0x434b,0x8667,0xc8,0x07,0x08,0x92,0xe0,0x5e}
```

## Protocol Interface Structure

```
typedef struct _EFI_MANAGED_NETWORK_PROTOCOL {
    EFI_MANAGED_NETWORK_GET_MODE_DATA    GetModeData;
    EFI_MANAGED_NETWORK_CONFIGURE        Configure;
    EFI_MANAGED_NETWORK_MCAST_IP_TO_MAC  McastIpToMac;
    EFI_MANAGED_NETWORK_GROUPS           Groups;
    EFI_MANAGED_NETWORK_TRANSMIT         Transmit;
    EFI_MANAGED_NETWORK_RECEIVE          Receive;
    EFI_MANAGED_NETWORK_CANCEL           Cancel;
    EFI_MANAGED_NETWORK_POLL             Poll;
} EFI_MANAGED_NETWORK_PROTOCOL;
```

## Parameters

<i>GetModeData</i>	Returns the current MNP child driver operational parameters. May also support returning underlying Simple Network Protocol (SNP) driver mode data. See the <b>GetModeData ()</b> function description.
<i>Configure</i>	Sets and clears operational parameters for an MNP child driver. See the <b>Configure ()</b> function description.
<i>McastIpToMac</i>	Translates a software (IP) multicast address to a hardware (MAC) multicast address. This function may be unsupported in some MNP implementations. See the <b>McastIpToMac ()</b> function description.
<i>Groups</i>	Enables and disables receive filters for multicast addresses. This function may be unsupported in some MNP implementations. See the <b>Groups ()</b> function description.
<i>Transmit</i>	Places asynchronous outgoing data packets into the transmit queue. See the <b>Transmit ()</b> function description.
<i>Receive</i>	Places an asynchronous receiving request into the receiving queue. See the <b>Receive ()</b> function description.

*Cancel*

Aborts a pending transmit or receive request. See the **Cancel()** function description.

*Poll*

Polls for incoming data packets and processes outgoing data packets. See the **Poll()** function description.

## Description

The services that are provided by MNP child drivers make it possible for multiple drivers and applications to send and receive network traffic using the same network device.

Before any network traffic can be sent or received, the **EFI\_MANAGED\_NETWORK\_PROTOCOL.Configure()** function must initialize the operational parameters for the MNP child driver instance. Once configured, data packets can be received and sent using the following functions:

- **EFI\_MANAGED\_NETWORK\_PROTOCOL.Transmit()**
- **EFI\_MANAGED\_NETWORK\_PROTOCOL.Receive()**
- **EFI\_MANAGED\_NETWORK\_PROTOCOL.Poll()**

## EFI\_MANAGED\_NETWORK\_PROTOCOL.GetModeData()

### Summary

Returns the operational parameters for the current MNP child driver. May also support returning the underlying SNP driver mode data.

### Prototype

```
typedef
EFI_STATUS
(EFIAPI *EFI_MANAGED_NETWORK_GET_MODE_DATA) (
    IN EFI_MANAGED_NETWORK_PROTOCOL          *This,
    OUT EFI_MANAGED_NETWORK_CONFIG_DATA     *MnpConfigData OPTIONAL,
    OUT EFI_SIMPLE_NETWORK_MODE             *SnpModeData  OPTIONAL
);
```

### Parameters

<i>This</i>	Pointer to the <b>EFI_MANAGED_NETWORK_PROTOCOL</b> instance.
<i>MnpConfigData</i>	Pointer to storage for MNP operational parameters. Type <b>EFI_MANAGED_NETWORK_CONFIG_DATA</b> is defined in “Related Definitions” below.
<i>SnpModeData</i>	Pointer to storage for SNP operational parameters. This feature may be unsupported. Type <b>EFI_SIMPLE_NETWORK_MODE</b> is defined in the <b>EFI_SIMPLE_NETWORK_PROTOCOL</b> .

### Description

The **GetModeData ()** function is used to read the current mode data (operational parameters) from the MNP or the underlying SNP.

## Related Definitions

```
/** *****  
// EFI_MANAGED_NETWORK_CONFIG_DATA  
/** *****  
typedef struct {  
    UINT32    ReceivedQueueTimeoutValue;  
    UINT32    TransmitQueueTimeoutValue;  
    UINT16    ProtocolTypeFilter;  
    BOOLEAN   EnableUnicastReceive;  
    BOOLEAN   EnableMulticastReceive;  
    BOOLEAN   EnableBroadcastReceive;  
    BOOLEAN   EnablePromiscuousReceive;  
    BOOLEAN   FlushQueuesOnReset;  
    BOOLEAN   EnableReceiveTimestamps;  
    BOOLEAN   DisableBackgroundPolling;  
} EFI_MANAGED_NETWORK_CONFIG_DATA;
```

### *ReceivedQueueTimeoutValue*

Timeout value for a UEFI one-shot timer event. A packet that has not been removed from the MNP receive queue by a call to **EFI\_MANAGED\_NETWORK\_PROTOCOL.Poll()** will be dropped if its receive timeout expires. If this value is zero, then there is no receive queue timeout. If the receive queue fills up, then the device receive filters are disabled until there is room in the receive queue for more packets. The startup default value is 10,000,000 (10 seconds).

### *TransmitQueueTimeoutValue*

Timeout value for a UEFI one-shot timer event. A packet that has not been removed from the MNP transmit queue by a call to **EFI\_MANAGED\_NETWORK\_PROTOCOL.Poll()** will be dropped if its transmit timeout expires. If this value is zero, then there is no transmit queue timeout. If the transmit queue fills up, then the **EFI\_MANAGED\_NETWORK\_PROTOCOL.Transmit()** function will return **EFI\_NOT\_READY** until there is room in the transmit queue for more packets. The startup default value is 10,000,000 (10 seconds).

*ProtocolTypeFilter* Ethernet type II 16-bit protocol type in host byte order. Valid values are zero and 1,500 to 65,535. Set to zero to receive packets with any protocol type. The startup default value is zero.

### *EnableUnicastReceive*

Set to **TRUE** to receive packets that are sent to the network device MAC address. The startup default value is **FALSE**.

#### *EnableMulticastReceive*

Set to **TRUE** to receive packets that are sent to any of the active multicast groups. The startup default value is **FALSE**.

#### *EnableBroadcastReceive*

Set to **TRUE** to receive packets that are sent to the network device broadcast address. The startup default value is **FALSE**.

#### *EnablePromiscuousReceive*

Set to **TRUE** to receive packets that are sent to any MAC address. Note that setting this field to **TRUE** may cause packet loss and degrade system performance on busy networks. The startup default value is **FALSE**.

#### *FlushQueuesOnReset*

Set to **TRUE** to drop queued packets when the configuration is changed. The startup default value is **FALSE**.

#### *EnableReceiveTimestamps*

Set to **TRUE** to timestamp all packets when they are received by the MNP. Note that timestamps may be unsupported in some MNP implementations. The startup default value is **FALSE**.

#### *DisableBackgroundPolling*

Set to **TRUE** to disable background polling in this MNP instance. Note that background polling may not be supported in all MNP implementations. The startup default value is **FALSE**, unless background polling is not supported.

## Status Codes Returned

EFI_SUCCESS	The operation completed successfully.
EFI_INVALID_PARAMETER	<i>This is <b>NULL</b>.</i>
EFI_UNSUPPORTED	The requested feature is unsupported in this MNP implementation.
EFI_NOT_STARTED	This MNP child driver instance has not been configured. The default values are returned in <i>MnpConfigData</i> if it is not <b>NULL</b> .
Other	The mode data could not be read.



## EFI\_MANAGED\_NETWORK\_PROTOCOL.Configure()

### Summary

Sets or clears the operational parameters for the MNP child driver.

### Prototype

```
typedef
EFI_STATUS
(EFI_API *EFI_MANAGED_NETWORK_CONFIGURE) (
    IN EFI_MANAGED_NETWORK_PROTOCOL      *This,
    IN EFI_MANAGED_NETWORK_CONFIG_DATA  *MnpConfigData  OPTIONAL
);
```

### Parameters

<i>This</i>	Pointer to the <b>EFI_MANAGED_NETWORK_PROTOCOL</b> instance.
<i>MnpConfigData</i>	Pointer to configuration data that will be assigned to the MNP child driver instance. If <b>NULL</b> , the MNP child driver instance is reset to startup defaults and all pending transmit and receive requests are flushed. Type <b>EFI_MANAGED_NETWORK_CONFIG_DATA</b> is defined in <b>EFI_MANAGED_NETWORK_PROTOCOL.GetModeData()</b> .

### Description

The **Configure()** function is used to set, change, or reset the operational parameters for the MNP child driver instance. Until the operational parameters have been set, no network traffic can be sent or received by this MNP child driver instance. Once the operational parameters have been reset, no more traffic can be sent or received until the operational parameters have been set again.

Each MNP child driver instance can be started and stopped independently of each other by setting or resetting their receive filter settings with the **Configure()** function.

After any successful call to **Configure()**, the MNP child driver instance is started. The internal periodic timer (if supported) is enabled. Data can be transmitted and may be received if the receive filters have also been enabled.

### PERFORMANCE NOTE

---

*If multiple MNP child driver instances will receive the same packet because of overlapping receive filter settings, then the first MNP child driver instance will receive the original packet and additional instances will receive copies of the original packet. **Receive filter settings that overlap will consume extra processor and/or DMA resources and degrade system and network performance.***

---

## Status Codes Returned

EFI_SUCCESS	The operation completed successfully.
EFI_INVALID_PARAMETER	<p>One or more of the following conditions is <b>TRUE</b>:</p> <ul style="list-style-type: none"> <li>• <i>This</i> is <b>NULL</b>.</li> <li>• <code>MnpConfigData.ProtocolTypeFilter</code> is not valid.</li> </ul> <p>The operational data for the MNP child driver instance is unchanged.</p>
EFI_OUT_OF_RESOURCES	<p>Required system resources (usually memory) could not be allocated.</p> <p>The MNP child driver instance has been reset to startup defaults.</p>
EFI_UNSUPPORTED	<p>The requested feature is unsupported in this [MNP] implementation.</p> <p>The operational data for the MNP child driver instance is unchanged.</p>
EFI_DEVICE_ERROR	<p>An unexpected network or system error occurred.</p> <p>The MNP child driver instance has been reset to startup defaults.</p>
Other	The MNP child driver instance has been reset to startup defaults.

## EFI\_MANAGED\_NETWORK\_PROTOCOL.McastIpToMac()

### Summary

Translates an IP multicast address to a hardware (MAC) multicast address. This function may be unsupported in some MNP implementations.

### Prototype

```
typedef
EFI_STATUS
(EFI_API *EFI_MANAGED_NETWORK_MCAST_IP_TO_MAC) (
    IN EFI_MANAGED_NETWORK_PROTOCOL *This,
    IN BOOLEAN                      Ipv6Flag,
    IN EFI_IP_ADDRESS               *IpAddress,
    OUT EFI_MAC_ADDRESS             *MacAddress
);
```

### Parameters

<i>This</i>	Pointer to the <b>EFI_MANAGED_NETWORK_PROTOCOL</b> instance.
<i>Ipv6Flag</i>	Set to <b>TRUE</b> if <i>IpAddress</i> is an IPv6 multicast address. Set to <b>FALSE</b> if <i>IpAddress</i> is an IPv4 multicast address.
<i>IpAddress</i>	Pointer to the multicast IP address (in network byte order) to convert.
<i>MacAddress</i>	Pointer to the resulting multicast MAC address.

### Description

The **McastIpToMac()** function translates an IP multicast address to a hardware (MAC) multicast address.

This function may be implemented by calling the underlying **EFI\_SIMPLE\_NETWORK.MCastIpToMac()** function, which may also be unsupported in some MNP implementations.

## Status Codes Returned

EFI_SUCCESS	The operation completed successfully.
EFI_INVALID_PARAMETER	One of the following conditions is <b>TRUE</b> : <ul style="list-style-type: none"><li>• <i>This</i> is <b>NULL</b>.</li><li>• <i>IpAddress</i> is <b>NULL</b>.</li><li>• <i>*IpAddress</i> is not a valid multicast IP address.</li><li>• <i>MacAddress</i> is <b>NULL</b>.</li></ul>
EFI_NOT_STARTED	This MNP child driver instance has not been configured.
EFI_UNSUPPORTED	The requested feature is unsupported in this MNP implementation.
EFI_DEVICE_ERROR	An unexpected network or system error occurred.
Other	The address could not be converted.

## EFI\_MANAGED\_NETWORK\_PROTOCOL.Groups()

### Summary

Enables and disables receive filters for multicast address. This function may be unsupported in some MNP implementations.

### Prototype

```
typedef
EFI_STATUS
(EFI_API *EFI_MANAGED_NETWORK_GROUPS) (
    IN EFI_MANAGED_NETWORK_PROTOCOL *This,
    IN BOOLEAN JoinFlag,
    IN EFI_MAC_ADDRESS *MacAddress OPTIONAL
);
```

### Parameters

<i>This</i>	Pointer to the <b>EFI_MANAGED_NETWORK_PROTOCOL</b> instance.
<i>JoinFlag</i>	Set to <b>TRUE</b> to join this multicast group. Set to <b>FALSE</b> to leave this multicast group.
<i>MacAddress</i>	Pointer to the multicast MAC group (address) to join or leave.

### Description

The **Groups ()** function only adds and removes multicast MAC addresses from the filter list. The MNP driver does not transmit or process Internet Group Management Protocol (IGMP) packets.

If *JoinFlag* is **FALSE** and *MacAddress* is **NULL**, then all joined groups are left.

## Status Codes Returned

EFI_SUCCESS	The requested operation completed successfully.
EFI_INVALID_PARAMETER	One or more of the following conditions is <b>TRUE</b> : <ul style="list-style-type: none"> <li>• <i>This</i> is <b>NULL</b>.</li> <li>• <i>JoinFlag</i> is <b>TRUE</b> and <i>MacAddress</i> is <b>NULL</b>.</li> <li>• <i>*MacAddress</i> is not a valid multicast MAC address.</li> </ul> The MNP multicast group settings are unchanged.
EFI_NOT_STARTED	This MNP child driver instance has not been configured.
EFI_ALREADY_STARTED	The supplied multicast group is already joined.
EFI_NOT_FOUND	The supplied multicast group is not joined.
EFI_DEVICE_ERROR	An unexpected network or system error occurred. The MNP child driver instance has been reset to startup defaults.
EFI_UNSUPPORTED	The requested feature is unsupported in this MNP implementation.
Other	The requested operation could not be completed. The MNP multicast group settings are unchanged.

## EFI\_MANAGED\_NETWORK\_PROTOCOL.Transmit()

### Summary

Places asynchronous outgoing data packets into the transmit queue.

### Prototype

```
typedef
EFI_STATUS
(EFIAPI *EFI_MANAGED_NETWORK_TRANSMIT) (
    IN EFI_MANAGED_NETWORK_PROTOCOL          *This,
    IN EFI_MANAGED_NETWORK_COMPLETION_TOKEN *Token
);
```

### Parameters

<i>This</i>	Pointer to the <b>EFI_MANAGED_NETWORK_PROTOCOL</b> instance.
<i>Token</i>	Pointer to a token associated with the transmit data descriptor. Type <b>EFI_MANAGED_NETWORK_COMPLETION_TOKEN</b> is defined in “Related Definitions” below.

### Description

The **Transmit()** function places a completion token into the transmit packet queue. This function is always asynchronous.

The caller must fill in the *Token.Event* and *Token.TxData* fields in the completion token, and these fields cannot be **NULL**. When the transmit operation completes, the MNP updates the *Token.Status* field and the *Token.Event* is signaled.

### NOTE

---

*There may be a performance penalty if the packet needs to be defragmented before it can be transmitted by the network device. Systems in which performance is critical should review the requirements and features of the underlying communications device and drivers.*

---

## Related Definitions

```
/** *****  
// EFI_MANAGED_NETWORK_COMPLETION_TOKEN  
/** *****  
typedef struct {  
    EFI_EVENT                Event;  
    EFI_STATUS               Status;  
    union {  
        EFI_MANAGED_NETWORK_RECEIVE_DATA    *RxData;  
        EFI_MANAGED_NETWORK_TRANSMIT_DATA   *TxData;  
    } Packet;  
} EFI_MANAGED_NETWORK_COMPLETION_TOKEN;
```

*Event* This *Event* will be signaled after the *Status* field is updated by the MNP. The type of *Event* must be **EVT\_NOTIFY\_SIGNAL**. The Task Priority Level (TPL) of *Event* must be lower than or equal to **TPL\_CALLBACK**.

*Status* This field will be set to one of the following values:

- **EFI\_SUCCESS**: The receive or transmit completed successfully.
- **EFI\_ABORTED**: The receive or transmit was aborted.
- **EFI\_TIMEOUT**: The transmit timeout expired.
- **EFI\_DEVICE\_ERROR**: There was an unexpected system or network error.

*RxData* When this token is used for receiving, *RxData* is a pointer to the **EFI\_MANAGED\_NETWORK\_RECEIVE\_DATA**.

*TxData* When this token is used for transmitting, *TxData* is a pointer to the **EFI\_MANAGED\_NETWORK\_TRANSMIT\_DATA**.

The **EFI\_MANAGED\_NETWORK\_COMPLETION\_TOKEN** structure is used for both transmit and receive operations.

When it is used for transmitting, the *Event* and *TxData* fields must be filled in by the MNP client. After the transmit operation completes, the MNP updates the *Status* field and the *Event* is signaled.

When it is used for receiving, only the *Event* field must be filled in by the MNP client. After a packet is received, the MNP fills in the *RxData* and *Status* fields and the *Event* is signaled.



```

//*****
// EFI_MANAGED_NETWORK_RECEIVE_DATA
//*****
typedef struct {
    EFI_TIME      Timestamp;
    EFI_EVENT     RecycleEvent;
    UINT32       PacketLength;
    UINT32       HeaderLength;
    UINT32       AddressLength;
    UINT32       DataLength;
    BOOLEAN      BroadcastFlag;
    BOOLEAN      MulticastFlag;
    BOOLEAN      PromiscuousFlag;
    UINT16       ProtocolType;
    VOID         *DestinationAddress;
    VOID         *SourceAddress;
    VOID         *MediaHeader;
    VOID         *PacketData;
} EFI_MANAGED_NETWORK_RECEIVE_DATA;

```

<i>Timestamp</i>	System time when the MNP received the packet. <i>Timestamp</i> is zero filled if receive timestamps are disabled or unsupported.
<i>RecycleEvent</i>	MNP clients must signal this event after the received data has been processed so that the receive queue storage can be reclaimed. Once <i>RecycleEvent</i> is signaled, this structure and the received data that is pointed to by this structure must not be accessed by the client.
<i>PacketLength</i>	Length of the entire received packet (media header plus the data).
<i>HeaderLength</i>	Length of the media header in this packet.
<i>AddressLength</i>	Length of a MAC address in this packet.
<i>DataLength</i>	Length of the data in this packet.
<i>BroadcastFlag</i>	Set to <b>TRUE</b> if this packet was received through the broadcast filter. (The destination MAC address is the broadcast MAC address.)
<i>MulticastFlag</i>	Set to <b>TRUE</b> if this packet was received through the multicast filter. (The destination MAC address is in the multicast filter list.)
<i>PromiscuousFlag</i>	Set to <b>TRUE</b> if this packet was received through the promiscuous filter. (The destination address does not match any of the other hardware or software filter lists.)

<i>ProtocolType</i>	16-bit protocol type in host byte order. Zero if there is no protocol type field in the packet header.
<i>DestinationAddress</i>	Pointer to the destination address in the media header.
<i>SourceAddress</i>	Pointer to the source address in the media header.
<i>MediaHeader</i>	Pointer to the first byte of the media header.
<i>PacketData</i>	Pointer to the first byte of the packet data (immediately following media header).

An **EFI\_MANAGED\_NETWORK\_RECEIVE\_DATA** structure is filled in for each packet that is received by the MNP.

If multiple instances of this MNP driver can receive a packet, then the receive data structure and the received packet are duplicated for each instance of the MNP driver that can receive the packet.

```

//*****
// EFI_MANAGED_NETWORK_TRANSMIT_DATA
//*****
typedef struct {
    EFI_MAC_ADDRESS          *DestinationAddress  OPTIONAL;
    EFI_MAC_ADDRESS          *SourceAddress      OPTIONAL;
    UINT16                   ProtocolType        OPTIONAL;
    UINT32                   DataLength;
    UINT16                   HeaderLength        OPTIONAL;
    UINT16                   FragmentCount;
    EFI_MANAGED_NETWORK_FRAGMENT_DATA FragmentTable[1];
} EFI_MANAGED_NETWORK_TRANSMIT_DATA;

```

<i>DestinationAddress</i>	Pointer to the destination MAC address if the media header is not included in <i>FragmentTable[]</i> . If <b>NULL</b> , then the media header is already filled in <i>FragmentTable[]</i> .
<i>SourceAddress</i>	Pointer to the source MAC address if the media header is not included in <i>FragmentTable[]</i> . Ignored if <i>DestinationAddress</i> is <b>NULL</b> .
<i>ProtocolType</i>	The protocol type of the media header in host byte order. Ignored if <i>DestinationAddress</i> is <b>NULL</b> .
<i>DataLength</i>	Sum of all <i>FragmentLength</i> fields in <i>FragmentTable[]</i> minus the media header length.

<i>HeaderLength</i>	Length of the media header if it is included in the <i>FragmentTable</i> . Must be zero if <i>DestinationAddress</i> is not <b>NULL</b> .
<i>FragmentCount</i>	Number of data fragments in <i>FragmentTable[]</i> . This field cannot be zero.
<i>FragmentTable</i>	Table of data fragments to be transmitted. The first byte of the first entry in <i>FragmentTable[]</i> is also the first byte of the media header or, if there is no media header, the first byte of payload. Type <b>EFI_MANAGED_NETWORK_FRAGMENT_DATA</b> is defined below.

The **EFI\_MANAGED\_NETWORK\_TRANSMIT\_DATA** structure describes a (possibly fragmented) packet to be transmitted.

The *DataLength* field plus the *HeaderLength* field must be equal to the sum of all of the *FragmentLength* fields in the *FragmentTable*.

If the media header is included in *FragmentTable[]*, then it cannot be split between fragments.

```

//*****
// EFI_MANAGED_NETWORK_FRAGMENT_DATA
//*****
typedef struct {
    UINT32      FragmentLength;
    VOID        *FragmentBuffer;
} EFI_MANAGED_NETWORK_FRAGMENT_DATA;

```

<i>FragmentLength</i>	Number of bytes in the <i>FragmentBuffer</i> . This field may not be set to zero.
<i>FragmentBuffer</i>	Pointer to the fragment data. This field may not be set to <b>NULL</b> .

The **EFI\_MANAGED\_NETWORK\_FRAGMENT\_DATA** structure describes the location and length of a packet fragment to be transmitted.

## Status Codes Returned

EFI_SUCCESS	The transmit completion token was cached.
EFI_NOT_STARTED	This MNP child driver instance has not been configured.
EFI_INVALID_PARAMETER	<p>One or more of the following conditions is <b>TRUE</b>:</p> <ul style="list-style-type: none"> <li>• <i>This</i> is <b>NULL</b>.</li> <li>• <code>Token</code> is <b>NULL</b>.</li> <li>• <code>Token.Event</code> is <b>NULL</b>.</li> <li>• <code>Token.TxData.FragmentCount</code> is zero.</li> <li>• <math>(\text{Token.TxData.HeaderLength} + \text{Token.TxData.DataLength})</math> is not equal to the sum of the <code>Token.TxData.FragmentTable[] .FragmentLength</code> fields.</li> <li>• One or more of the <code>Token.TxData.FragmentTable[] .FragmentLength</code> fields is zero.</li> <li>• One or more of the <code>Token.TxData.FragmentTable[] .FragmentBuffer</code> fields is <b>NULL</b>.</li> <li>• <math>(\text{Token.TxData.HeaderLength} + \text{Token.TxData.DataLength})</math> is greater than MTU if the <code>Token.TxData.FragmentTable[]</code> contains the media header.</li> </ul>
EFI_ACCESS_DENIED	The transmit completion token is already in the transmit queue.
EFI_OUT_OF_RESOURCES	The transmit data could not be queued due to a lack of system resources (usually memory).
EFI_DEVICE_ERROR	<p>An unexpected system or network error occurred.</p> <p>The MNP child driver instance has been reset to startup defaults.</p>
EFI_NOT_READY	The transmit request could not be queued because the transmit queue is full.

## EFI\_MANAGED\_NETWORK\_PROTOCOL.Receive()

### Summary

Places an asynchronous receiving request into the receiving queue.

### Prototype

```
typedef
EFI_STATUS
(EFI_API *EFI_MANAGED_NETWORK_RECEIVE) (
    IN EFI_MANAGED_NETWORK_PROTOCOL          *This,
    IN EFI_MANAGED_NETWORK_COMPLETION_TOKEN *Token
);
```

### Parameters

<i>This</i>	Pointer to the <b>EFI_MANAGED_NETWORK_PROTOCOL</b> instance.
<i>Token</i>	Pointer to a token associated with the receive data descriptor. Type <b>EFI_MANAGED_NETWORK_COMPLETION_TOKEN</b> is defined in <b>EFI_MANAGED_NETWORK_PROTOCOL.Transmit()</b> .

### Description

The **Receive()** function places a completion token into the receive packet queue. This function is always asynchronous.

The caller must fill in the *Token.Event* field in the completion token, and this field cannot be **NULL**. When the receive operation completes, the MNP updates the *Token.Status* and *Token.RxData* fields and the *Token.Event* is signaled.

### Status Codes Returned

EFI_SUCCESS	The receive completion token was cached.
EFI_NOT_STARTED	This MNP child driver instance has not been configured.
EFI_INVALID_PARAMETER	One or more of the following conditions is <b>TRUE</b> : <ul style="list-style-type: none"><li>• <i>This</i> is <b>NULL</b>.</li><li>• <i>Token</i> is <b>NULL</b>.</li><li>• <i>Token.Event</i> is <b>NULL</b></li></ul>
EFI_OUT_OF_RESOURCES	The transmit data could not be queued due to a lack of system resources (usually memory).
EFI_DEVICE_ERROR	An unexpected system or network error occurred. The MNP child driver instance has been reset to startup defaults.
EFI_ACCESS_DENIED	The receive completion token was already in the receive queue.
EFI_NOT_READY	The receive request could not be queued because the receive queue is full.

## EFI\_MANAGED\_NETWORK\_PROTOCOL.Cancel()

### Summary

Aborts an asynchronous transmit or receive request.

### Prototype

```
typedef
EFI_STATUS
(EFI_API *EFI_MANAGED_NETWORK_CANCEL) (
    IN EFI_MANAGED_NETWORK_PROTOCOL          *This,
    IN EFI_MANAGED_NETWORK_COMPLETION_TOKEN *Token OPTIONAL
);
```

### Parameters

<i>This</i>	Pointer to the <b>EFI_MANAGED_NETWORK_PROTOCOL</b> instance.
<i>Token</i>	Pointer to a token that has been issued by <b>EFI_MANAGED_NETWORK_PROTOCOL.Transmit()</b> or <b>EFI_MANAGED_NETWORK_PROTOCOL.Receive()</b> . If <b>NULL</b> , all pending tokens are aborted. Type <b>EFI_MANAGED_NETWORK_COMPLETION_TOKEN</b> is defined in <b>EFI_MANAGED_NETWORK_PROTOCOL.Transmit()</b> .

### Description

The **Cancel()** function is used to abort a pending transmit or receive request. If the token is in the transmit or receive request queues, after calling this function, *Token.Status* will be set to **EFI\_ABORTED** and then *Token.Event* will be signaled. If the token is not in one of the queues, which usually means that the asynchronous operation has completed, this function will not signal the token and **EFI\_NOT\_FOUND** is returned.

### Status Codes Returned

EFI_SUCCESS	The asynchronous I/O request was aborted and <i>Token.Event</i> was signaled. When <i>Token</i> is <b>NULL</b> , all pending requests were aborted and their events were signaled.
EFI_NOT_STARTED	This MNP child driver instance has not been configured.
EFI_INVALID_PARAMETER	<i>This</i> is <b>NULL</b> .
EFI_NOT_FOUND	When <i>Token</i> is not <b>NULL</b> , the asynchronous I/O request was not found in the transmit or receive queue. It has either completed or was not issued by <b>Transmit()</b> and <b>Receive()</b> .

## EFI\_MANAGED\_NETWORK\_PROTOCOL.Poll()

### Summary

Polls for incoming data packets and processes outgoing data packets.

### Prototype

```
typedef
EFI_STATUS
(EFIAPI *EFI_MANAGED_NETWORK_POLL) (
    IN EFI_MANAGED_NETWORK_PROTOCOL    *This
);
```

### Parameters

*This*                                    Pointer to the **EFI\_MANAGED\_NETWORK\_PROTOCOL** instance.

### Description

The **Poll()** function can be used by network drivers and applications to increase the rate that data packets are moved between the communications device and the transmit and receive queues.

Normally, a periodic timer event internally calls the **Poll()** function. But, in some systems, the periodic timer event may not call **Poll()** fast enough to transmit and/or receive all data packets without missing packets. Drivers and applications that are experiencing packet loss should try calling the **Poll()** function more often.

### Status Codes Returned

EFI_SUCCESS	Incoming or outgoing data was processed.
EFI_NOT_STARTED	This MNP child driver instance has not been configured.
EFI_DEVICE_ERROR	An unexpected system or network error occurred. The MNP child driver instance has been reset to startup defaults.
EFI_NOT_READY	No incoming or outgoing data was processed. Consider increasing the polling rate.
EFI_TIMEOUT	Data was dropped out of the transmit and/or receive queue. Consider increasing the polling rate.





## Network Protocols — ARP and DHCPv4

---

### 22.1 ARP Protocol

This section defines the EFI Address Resolution Protocol (ARP) Protocol interface. It is split into the following two main sections:

- ARP Service Binding Protocol (ARPSBP)
- ARP Protocol (ARP)

ARP provides a generic implementation of the Address Resolution Protocol that is described in RFCs 826 and 1122. RFCs can be found at <http://www.ietf.org/>.

### EFI\_ARP\_SERVICE\_BINDING\_PROTOCOL

#### Summary

The ARPSBP is used to locate communication devices that are supported by an ARP driver and to create and destroy instances of the ARP child protocol driver.

The EFI Service Binding Protocol in section 2.5.8 defines the generic Service Binding Protocol functions. This section discusses the details that are specific to the ARP.

#### GUID

```
#define EFI_ARP_SERVICE_BINDING_PROTOCOL_GUID \
{0xf44c00ee, 0x1f2c, 0x4a00, 0xaa09, 0x1c, 0x9f, 0x3e, 0x08, 0x00, 0xa3}
```

#### Description

A network application (or driver) that requires network address resolution can use one of the protocol handler services, such as **BS->LocateHandleBuffer()**, to search for devices that publish a ARPSBP GUID. Each device with a published ARPSBP GUID supports ARP and may be available for use.

After a successful call to the **EFI\_ARP\_SERVICE\_BINDING\_PROTOCOL.CreateChild()** function, the child ARP driver instance is in an unconfigured state; it is not ready to resolve addresses.

All child ARP driver instances that are created by one **EFI\_ARP\_SERVICE\_BINDING\_PROTOCOL** instance will share an ARP cache to improve efficiency.

Before a network application terminates execution, every successful call to the `EFI_arp_service_binding_protocol.CreateChild()` function must be matched with a call to the `EFI_arp_service_binding_protocol.DestroyChild()` function.

## EFI\_arp\_protocol

### Summary

ARP is used to resolve local network protocol addresses into network hardware addresses.

### GUID

```
#define EFI_arp_protocol_GUID \
{0xf4b427bb, 0xba21, 0x4f16, 0xbc4e, 0x43, 0xe4, 0x16, 0xab, 0x61, 0x9c}
```

### Protocol Interface Structure

```
typedef struct _EFI_arp_protocol {
    EFI_arp_configure      Configure;
    EFI_arp_add            Add;
    EFI_arp_find           Find;
    EFI_arp_delete        Delete;
    EFI_arp_flush          Flush;
    EFI_arp_request        Request;
    EFI_arp_cancel         Cancel;
} EFI_arp_protocol;
```

### Parameters

<i>Configure</i>	Adds a new station address (protocol type and network address) to the ARP cache. See the <b>Configure()</b> function description.
<i>Add</i>	Manually inserts an entry to the ARP cache for administrative purpose. See the <b>Add()</b> function description.
<i>Find</i>	Locates one or more entries in the ARP cache. See the <b>Find()</b> function description.
<i>Delete</i>	Removes an entry from the ARP cache. See the <b>Delete()</b> function description.
<i>Flush</i>	Removes all dynamic ARP cache entries of a specified protocol type. See the <b>Flush()</b> function description.
<i>Request</i>	Starts an ARP request session. See the <b>Request()</b> function description.
<i>Cancel</i>	Abort previous ARP request session. See the <b>Cancel()</b> function description.

## Description

The **EFI\_ARP\_PROTOCOL** defines a set of generic ARP services that can be used by any network protocol driver to resolve subnet local network addresses into hardware addresses. Normally, a periodic timer event internally sends and receives packets for ARP. But in some systems where the periodic timer is not supported, drivers and applications that are experiencing packet loss should try calling the **Poll ()** function of the EFI Managed Network Protocol frequently.

## NOTE

---

***Add ()** and **Delete ()** are typically used for administrative purposes, such as denying traffic to and from a specific remote machine, preventing ARP requests from coming too fast, and providing static address pairs to save time. **Find ()** is also used to update an existing ARP cache entry.*

---

## EFI\_ARP\_PROTOCOL.Configure()

### Summary

Assigns a station address (protocol type and network address) to this instance of the ARP cache.

### Prototype

```
typedef
EFI_STATUS
(EFIAPI *EFI_ARP_CONFIGURE) (
    IN EFI_ARP_PROTOCOL           *This,
    IN EFI_ARP_CONFIG_DATA       *ConfigData  OPTIONAL
);
```

### Parameters

<i>This</i>	A pointer to the <b>EFI_ARP_PROTOCOL</b> instance.
<i>ConfigData</i>	A pointer to the <b>EFI_ARP_CONFIG_DATA</b> structure. Type <b>EFI_ARP_CONFIG_DATA</b> is defined in “Related Definitions” below.

### Description

The **Configure()** function is used to assign a station address to the ARP cache for this instance of the ARP driver. Each ARP instance has one station address. The **EFI\_ARP\_PROTOCOL** driver will respond to ARP requests that match this registered station address. A call to **Configure()** with the *ConfigData* field set to **NULL** will reset this ARP instance.

Once a protocol type and station address have been assigned to this ARP instance, all the following ARP functions will use this information. Attempting to change the protocol type or station address to a configured ARP instance will result in errors.

### Related Definitions

```
/** *****
// EFI_ARP_CONFIG_DATA
// *****
typedef struct {
    UINT16           SwAddressType;
    UINT8           SwAddressLength;
    VOID            *StationAddress;
    UINT32          EntryTimeOut;
    UINT32          RetryCount;
    UINT32          RetryTimeOut;
} EFI_ARP_CONFIG_DATA;
```

<i>SwAddressType</i>	16-bit protocol type number in host byte order. More information can be found at <a href="http://www.iana.org/assignments/ethernet-numbers">http://www.iana.org/assignments/ethernet-numbers</a> .
<i>SwAddressLength</i>	Length in bytes of the station's protocol address to register.
<i>StationAddress</i>	Pointer to the first byte of the protocol address to register. For example, if <i>SwAddressType</i> is 0x0800 (IP), then <i>StationAddress</i> points to the first byte of this station's IP address stored in network byte order.
<i>EntryTimeout</i>	The timeout value in 100-ns units that is associated with each new dynamic ARP cache entry. If it is set to zero, the value is implementation-specific.
<i>RetryCount</i>	The number of retries before a MAC address is resolved. If it is set to zero, the value is implementation-specific.
<i>RetryTimeout</i>	The timeout value in 100-ns units that is used to wait for the ARP reply packet or the timeout value between two retries. Set to zero to use implementation-specific value.

## Status Codes Returned

EFI_SUCCESS	The new station address was successfully registered.
EFI_INVALID_PARAMETER	One or more of the following conditions is <b>TRUE</b> : <ul style="list-style-type: none"> <li>• <i>This</i> is <b>NULL</b>.</li> <li>• <i>SwAddressLength</i> is zero when <i>ConfigData</i> is not <b>NULL</b>.</li> <li>• <i>StationAddress</i> is <b>NULL</b> when <i>ConfigData</i> is not <b>NULL</b>.</li> </ul>
EFI_ACCESS_DENIED	The <i>SwAddressType</i> , <i>SwAddressLength</i> , or <i>StationAddress</i> is different from the one that is already registered.
EFI_OUT_OF_RESOURCES	Storage for the new <i>StationAddress</i> could not be allocated.

## EFI\_ARP\_PROTOCOL.Add()

### Summary

Inserts an entry to the ARP cache.

### Prototype

```
typedef
EFI_STATUS
(EFIAPI *EFI_ARP_ADD) (
    IN EFI_ARP_PROTOCOL *This,
    IN BOOLEAN DenyFlag,
    IN VOID *TargetSwAddress OPTIONAL,
    IN VOID *TargetHwAddress OPTIONAL,
    IN UINT32 TimeoutValue,
    IN BOOLEAN Overwrite
);
```

### Parameters

<i>This</i>	A pointer to the <b>EFI_ARP_PROTOCOL</b> instance..
<i>DenyFlag</i>	Set to <b>TRUE</b> if this entry is a “deny” entry. Set to <b>FALSE</b> if this entry is a “normal” entry.
<i>TargetSwAddress</i>	Pointer to a protocol address to add (or deny). May be set to <b>NULL</b> if <i>DenyFlag</i> is <b>TRUE</b> .
<i>TargetHwAddress</i>	Pointer to a hardware address to add (or deny). May be set to <b>NULL</b> if <i>DenyFlag</i> is <b>TRUE</b> .
<i>TimeoutValue</i>	Time in 100-ns units that this entry will remain in the ARP cache. A value of zero means that the entry is permanent. A nonzero value will override the one given by <b>Configure ()</b> if the entry to be added is dynamic entry.
<i>Overwrite</i>	If <b>TRUE</b> , the matching cache entry will be overwritten with the supplied parameters. If <b>FALSE</b> , <b>EFI_ACCESS_DENIED</b> is returned if the corresponding cache entry already exists.

### Description

The **Add ()** function is used to insert entries into the ARP cache.

ARP cache entries are typically inserted and updated by network protocol drivers as network traffic is processed. Most ARP cache entries will time out and be deleted if the network traffic stops. ARP cache entries that were inserted by the **Add ()** function may be static (will not time out) or dynamic (will time out).

Default ARP cache timeout values are not covered in most network protocol specifications (although RFC 1122 comes pretty close) and will only be discussed in general in this specification. The timeout values that are used in the EFI Sample Implementation should be used only as a guideline. Final product implementations of the EFI network stack should be tuned for their expected network environments.

The **Add ()** function can insert the following two types of entries into the ARP cache:

- “Normal” entries
- “Deny” entries

“Normal” entries must have both a *TargetSwAddress* and *TargetHwAddress* and are used to resolve network protocol addresses into network hardware addresses. Entries are keyed by *TargetSwAddress*. Each *TargetSwAddress* can have only one *TargetHwAddress*. A *TargetHwAddress* may be referenced by multiple *TargetSwAddress* entries.

“Deny” entries may have a *TargetSwAddress* and/or a *TargetHwAddress*. “Deny” entries may have a *TargetSwAddress* or a *TargetHwAddress*, but not both. These entries tell the ARP driver to ignore any traffic to and from (and to) these addresses. If a request comes in from an address that is being denied, then the request is ignored.

Yuanhao: In the sentence in yellow above, would it be clearer to say it this way?

“Deny” entries may have a *TargetSwAddress* or a *TargetHwAddress*, but not both.

If a normal entry to be added matches a deny entry of this driver, *Overwrite* decides whether to remove the matching deny entry. On the other hand, an existing normal entry can be removed based on the value of *Overwrite* if a deny entry to be added matches the existing normal entry. Two entries are matched only when they have the same addresses or when one of the normal entry addresses is the same as the address of a deny entry.

## Status Codes Returned

EFI_SUCCESS	The entry has been added or updated.
EFI_INVALID_PARAMETER	One or more of the following conditions is <b>TRUE</b> : <i>This is NULL.</i> <i>DenyFlag is FALSE and TargetHwAddress is NULL.</i> <i>DenyFlag is FALSE and TargetSwAddress is NULL.</i> <i>TargetHwAddress is NULL and TargetSwAddress is NULL.</i> Both <i>TargetSwAddress</i> and <i>TargetHwAddress</i> are not <b>NULL</b> when <i>DenyFlag</i> is <b>TRUE</b>
EFI_OUT_OF_RESOURCES	The new ARP cache entry could not be allocated.
EFI_ACCESS_DENIED	The ARP cache entry already exists and <i>Overwrite</i> is not true.
EFI_NOT_STARTED	The ARP driver instance has not been configured.

## EFI\_ARP\_PROTOCOL.Find()

### Summary

Locates one or more entries in the ARP cache.

### Prototype

```
typedef
EFI_STATUS
(EFIAPI *EFI_ARP_FIND) (
    IN EFI_ARP_PROTOCOL      *This,
    IN BOOLEAN               BySwAddress,
    IN VOID                  *AddressBuffer      OPTIONAL,
    OUT UINT32               *EntryLength       OPTIONAL,
    OUT UINT32               *EntryCount        OPTIONAL,
    OUT EFI_ARP_FIND_DATA    **Entries         OPTIONAL,
    IN BOOLEAN               Refresh
);
```

### Parameters

<i>This</i>	A pointer to the <b>EFI_ARP_PROTOCOL</b> instance.
<i>BySwAddress</i>	Set to <b>TRUE</b> to look for matching software protocol addresses. Set to <b>FALSE</b> to look for matching hardware protocol addresses.
<i>AddressBuffer</i>	Pointer to address buffer. Set to <b>NULL</b> to match all addresses.
<i>EntryLength</i>	The size of an entry in the entries buffer. To keep the <b>EFI_ARP_FIND_DATA</b> structure properly aligned, this field may be longer than <b>sizeof(EFI_ARP_FIND_DATA)</b> plus the length of the software and hardware addresses.
<i>EntryCount</i>	The number of ARP cache entries that are found by the specified criteria.
<i>Entries</i>	Pointer to the buffer that will receive the ARP cache entries. Type <b>EFI_ARP_FIND_DATA</b> is defined in “Related Definitions” below.
<i>Refresh</i>	Set to <b>TRUE</b> to refresh the timeout value of the matching ARP cache entry.

### Description

The **Find()** function searches the ARP cache for matching entries and allocates a buffer into which those entries are copied. The first part of the allocated buffer is **EFI\_ARP\_FIND\_DATA**, following which are protocol address pairs and hardware address pairs.



When finding a specific protocol address (*BySwAddress* is **TRUE** and *AddressBuffer* is not **NULL**), the ARP cache timeout for the found entry is reset if *Refresh* is set to **TRUE**. If the found ARP cache entry is a permanent entry, it is not affected by *Refresh*.

## Related Definitions

```

//*****
// EFI_arp_find_data
//*****
typedef struct {
    UINT32          Size;
    BOOLEAN         DenyFlag;
    BOOLEAN         StaticFlag;
    UINT16         HwAddressType;
    UINT16         SwAddressType;
    UINT8          HwAddressLength;
    UINT8          SwAddressLength;
} EFI_arp_find_data;

```

<i>Size</i>	Length in bytes of this entry.
<i>DenyFlag</i>	Set to <b>TRUE</b> if this entry is a “deny” entry. Set to <b>FALSE</b> if this entry is a “normal” entry.
<i>StaticFlag</i>	Set to <b>TRUE</b> if this entry will not time out. Set to <b>FALSE</b> if this entry will time out.
<i>HwAddressType</i>	16-bit ARP hardware identifier number.
<i>SwAddressType</i>	16-bit protocol type number.
<i>HwAddressLength</i>	Length of the hardware address.
<i>SwAddressLength</i>	Length of the protocol address.

## Status Codes Returned

EFI_SUCCESS	The requested ARP cache entries were copied into the buffer.
EFI_INVALID_PARAMETER	One or more of the following conditions is <b>TRUE</b> : <ul style="list-style-type: none"> <li><i>This</i> is <b>NULL</b>.</li> <li>Both <i>EntryCount</i> and <i>EntryLength</i> are <b>NULL</b>, when <i>Refresh</i> is <b>FALSE</b>.</li> </ul>
EFI_NOT_FOUND	No matching entries were found.
EFI_NOT_STARTED	The ARP driver instance has not been configured.

## EFI\_ARP\_PROTOCOL.Delete()

### Summary

Removes entries from the ARP cache.

### Prototype

```
typedef
EFI_STATUS
(EFIAPI *EFI_ARP_DELETE) (
    IN EFI_ARP_PROTOCOL      *This,
    IN BOOLEAN                BySwAddress,
    IN VOID                   *AddressBuffer OPTIONAL
);
```

### Parameters

<i>This</i>	A pointer to the <b>EFI_ARP_PROTOCOL</b> instance.
<i>BySwAddress</i>	Set to <b>TRUE</b> to delete matching protocol addresses. Set to <b>FALSE</b> to delete matching hardware addresses.
<i>AddressBuffer</i>	Pointer to the address buffer that is used as a key to look for the cache entry. Set to <b>NULL</b> to delete all entries.

### Description

The **Delete()** function removes specified ARP cache entries.

### Status Codes Returned

EFI_SUCCESS	The entry was removed from the ARP cache.
EFI_INVALID_PARAMETER	<i>This</i> is <b>NULL</b> .
EFI_NOT_FOUND	The specified deletion key was not found.
EFI_NOT_STARTED	The ARP driver instance has not been configured.

## EFI\_ARP\_PROTOCOL.Flush()

### Summary

Removes all dynamic ARP cache entries that were added by this interface.

### Prototype

```
typedef
EFI_STATUS
(EFIAPI *EFI_ARP_FLUSH) (
    IN EFI_ARP_PROTOCOL *This
);
```

### Parameters

*This* A pointer to the **EFI\_ARP\_PROTOCOL** instance.

### Description

The **Flush()** function deletes all dynamic entries from the ARP cache that match the specified software protocol type.

### Status Codes Returned

EFI_SUCCESS	The cache has been flushed.
EFI_INVALID_PARAMETER	<i>This</i> is <b>NULL</b> .
EFI_NOT_FOUND	There are no matching dynamic cache entries.
EFI_NOT_STARTED	The ARP driver instance has not been configured.

## EFI\_ARP\_PROTOCOL.Request()

### Summary

Starts an ARP request session.

### Prototype

```
typedef
EFI_STATUS
(EFIAPI *EFI_ARP_REQUEST) (
    IN EFI_ARP_PROTOCOL *This,
    IN VOID *TargetSwAddress OPTIONAL,
    IN EFI_EVENT ResolvedEvent OPTIONAL,
    OUT VOID *TargetHwAddress
);
```

### Parameters

<i>This</i>	A pointer to the <b>EFI_ARP_PROTOCOL</b> instance..
<i>TargetSwAddress</i>	Pointer to the protocol address to resolve.
<i>ResolvedEvent</i>	Pointer to the event that will be signaled when the address is resolved or some error occurs.
<i>TargetHwAddress</i>	Pointer to the buffer for the resolved hardware address in network byte order. The buffer must be large enough to hold the resulting hardware address. <i>TargetHwAddress</i> must not be <b>NULL</b> .

### Description

The **Request ()** function tries to resolve the *TargetSwAddress* and optionally returns a *TargetHwAddress* if it already exists in the ARP cache.

If the registered *SwAddressType* (see **EFI\_ARP\_PROTOCOL.Add ()**) is IPv4 or IPv6 and the *TargetSwAddress* is a multicast address, then the *TargetSwAddress* is resolved using the underlying **EFI\_MANAGED\_NETWORK\_PROTOCOL.McastIpToMac ()** function.

If the *TargetSwAddress* is **NULL**, then the network interface hardware broadcast address is returned immediately in *TargetHwAddress*.

If the *ResolvedEvent* is not **NULL** and the address to be resolved is not in the ARP cache, then the event will be signaled when the address request completes and the requested hardware address is returned in the *TargetHwAddress*. If the timeout expires and the retry count is exceeded or an unexpected error occurs, the event will be signaled to notify the caller, which should check the *TargetHwAddress* to see if the requested hardware address is available. If it is not available, the *TargetHwAddress* is filled by zero.

If the address to be resolved is already in the ARP cache and resolved, then the event will be signaled immediately if it is not **NULL**, and the requested hardware address is also returned in *TargetHwAddress*.

## Status Codes Returned

EFI_SUCCESS	The data was copied from the ARP cache into the <i>TargetHwAddress</i> buffer.
EFI_INVALID_PARAMETER	One or more of the following conditions is <b>TRUE</b> : <i>This</i> is <b>NULL</b> <i>TargetHwAddress</i> is <b>NULL</b>
EFI_ACCESS_DENIED	The requested address is not present in the normal ARP cache but is present in the deny address list. Outgoing traffic to that address is forbidden.
EFI_NOT_STARTED	The ARP driver instance has not been configured.
EFI_NOT_READY	The request has been started and is not finished.
EFI_UNSUPPORTED	The requested conversion is not supported in this implementation or configuration.

## EFI\_ARP\_PROTOCOL.Cancel()

### Summary

Cancels an ARP request session.

### Prototype

```
typedef
EFI_STATUS
(EFIAPI *EFI_ARP_CANCEL) (
    IN EFI_ARP_PROTOCOL *This,
    IN VOID *TargetSwAddress OPTIONAL,
    IN EFI_EVENT ResolvedEvent OPTIONAL
);
```

### Parameters

<i>This</i>	A pointer to the <b>EFI_ARP_PROTOCOL</b> instance.
<i>TargetSwAddress</i>	Pointer to the protocol address in previous request session.
<i>ResolvedEvent</i>	Pointer to the event that is used as the notification event in previous request session.

### Description

The **Cancel ()** function aborts the previous ARP request (identified by *This*, *TargetSwAddress* and *ResolvedEvent*) that is issued by **EFI\_ARP\_PROTOCOL.Request ()**. If the request is in the internal ARP request queue, the request is aborted immediately and its *ResolvedEvent* is signaled. Only an asynchronous address request needs to be canceled. If *TargetSwAddress* and *ResolveEvent* are both **NULL**, all the pending asynchronous requests that have been issued by *This* instance will be cancelled and their corresponding events will be signaled.

### Status Codes Returned

EFI_SUCCESS	The pending request session(s) is/are aborted and corresponding event(s) is/are signaled.
EFI_INVALID_PARAMETER	One or more of the following conditions is <b>TRUE</b> : <ul style="list-style-type: none"><li>• <i>This</i> is <b>NULL</b>.</li><li>• <i>TargetSwAddress</i> is not <b>NULL</b> and <i>ResolvedEvent</i> is <b>NULL</b>.</li><li>• <i>TargetSwAddress</i> is <b>NULL</b> and <i>ResolvedEvent</i> is not <b>NULL</b>.</li></ul>
EFI_NOT_STARTED	The ARP driver instance has not been configured.
EFI_NOT_FOUND	The request is not issued by <b>EFI_ARP_PROTOCOL.Request ()</b> .

## 22.2 EFI DHCPv4 Protocol

This section provides a detailed description of the **EFI\_DHCP4\_PROTOCOL** and the **EFI\_DHCP4\_SERVICE\_BINDING\_PROTOCOL**. The EFI DHCPv4 Protocol is used to collect configuration information for the EFI IPv4 Protocol drivers and to provide DHCPv4 server and PXE boot server discovery services.

### EFI\_DHCP4\_SERVICE\_BINDING\_PROTOCOL

#### Summary

The EFI DHCPv4 Service Binding Protocol is used to locate communication devices that are supported by an EFI DHCPv4 Protocol driver and to create and destroy EFI DHCPv4 Protocol child driver instances that can use the underlying communications device.

#### GUID

```
#define EFI_DHCP4_SERVICE_BINDING_PROTOCOL_GUID \
{0x9d9a39d8, 0xbd42, 0x4a73, 0xa4d5, 0x8e, 0xe9, 0x4b, 0xe1, 0x13, 0x80}
```

#### Description

A network application or driver that requires basic DHCPv4 services can use one of the protocol handler services, such as **BS->LocateHandleBuffer()**, to search for devices that publish an EFI DHCPv4 Service Binding Protocol GUID. Each device with a published EFI DHCPv4 Service Binding Protocol GUID supports the EFI DHCPv4 Protocol and may be available for use.

After a successful call to the **EFI\_DHCP4\_SERVICE\_BINDING\_PROTOCOL.CreateChild()** function, the newly created EFI DHCPv4 Protocol child driver instance is ready to be used by a network application or driver.

Before a network application or driver terminates execution, every successful call to the **EFI\_DHCP4\_SERVICE\_BINDING\_PROTOCOL.CreateChild()** function must be matched with a call to the **EFI\_DHCP4\_SERVICE\_BINDING\_PROTOCOL.DestroyChild()** function.

# EFI\_DHCP4\_PROTOCOL

## Summary

This protocol is used to collect configuration information for the EFI IPv4 Protocol drivers and to provide DHCPv4 server and PXE boot server discovery services.

## GUID

```
#define EFI_DHCP4_PROTOCOL_GUID \
{0x8a219718,0x4ef5,0x4761,0x91c8,0xc0,0xf0,0x4b,0xda,0x9e,0x56}
```

## Protocol Interface Structure

```
typedef struct _EFI_DHCP4_PROTOCOL {
    EFI_DHCP4_GET_MODE_DATA      GetModeData;
    EFI_DHCP4_CONFIGURE          Configure;
    EFI_DHCP4_START              Start;
    EFI_DHCP4_RENEW_REBIND       RenewRebind;
    EFI_DHCP4_RELEASE            Release;
    EFI_DHCP4_STOP               Stop;
    EFI_DHCP4_BUILD              Build;
    EFI_DHCP4_TRANSMIT_RECEIVE   TransmitReceive;
    EFI_DHCP4_PARSE              Parse;
} EFI_DHCP4_PROTOCOL;
```

## Parameters

<i>GetModeData</i>	Gets the EFI DHCPv4 Protocol driver status and operational data. See the <b>GetModeData()</b> function description.
<i>Configure</i>	Initializes, changes, or resets operational settings for the EFI DHCPv4 Protocol driver. See the <b>Configure()</b> function description.
<i>Start</i>	Starts the DHCP configuration process. See the <b>Start()</b> function description.
<i>RenewRebind</i>	Tries to manually extend the lease time by sending a request packet. See the <b>RenewRebind()</b> function description.
<i>Release</i>	Releases the current configuration and returns the EFI DHCPv4 Protocol driver to the initial state. See the <b>Release()</b> function description.
<i>Stop</i>	Stops the DHCP configuration process no matter what state the driver is in. After being stopped, this driver will not automatically communicate with the DHCP server. See the <b>Stop()</b> function description.



<i>Build</i>	Puts together a DHCP or PXE packet. See the <b>Build()</b> function description.
<i>TransmitReceive</i>	Transmits a DHCP or PXE packet and waits for response packets. See the <b>TransmitReceive()</b> function description.
<i>Parse</i>	Parses the packed DHCP or PXE option data. See the <b>Parse()</b> function description.

## Description

The **EFI\_DHCP4\_PROTOCOL** is used to collect configuration information for the EFI IPv4 Protocol driver and provide DHCP server and PXE boot server discovery services.

## EFI\_DHCP4\_PROTOCOL.GetModeData()

### Summary

Returns the current operating mode and cached data packet for the EFI DHCPv4 Protocol driver.

### Prototype

```
typedef
EFI_STATUS
(EFI_API *EFI_DHCP4_GET_MODE_DATA) (
    IN  EFI_DHCP4_PROTOCOL    *This,
    OUT EFI_DHCP4_MODE_DATA   *Dhcp4ModeData
);
```

### Parameters

<i>This</i>	Pointer to the <b>EFI_DHCP4_PROTOCOL</b> instance.
<i>Dhcp4ModeData</i>	Pointer to storage for the <b>EFI_DHCP4_MODE_DATA</b> structure. Type <b>EFI_DHCP4_MODE_DATA</b> is defined in “Related Definitions” below.

### Description

The **GetModeData()** function returns the current operating mode and cached data packet for the EFI DHCPv4 Protocol driver.

### Related Definitions

```
/**
// *****
// EFI_DHCP4_MODE_DATA
// *****
typedef struct {
    EFI_DHCP4_STATE           State;
    EFI_DHCP4_CONFIG_DATA     ConfigData;
    EFI_IPv4_ADDRESS          ClientAddress;
    EFI_MAC_ADDRESS           ClientMacAddress;
    EFI_IPv4_ADDRESS          ServerAddress;
    EFI_IPv4_ADDRESS          RouterAddress;
    EFI_IPv4_ADDRESS          SubnetMask;
    UINT32                    LeaseTime;
    EFI_DHCP4_PACKET          *ReplyPacket;
} EFI_DHCP4_MODE_DATA;
```

<i>State</i>	The EFI DHCPv4 Protocol driver operating state. Type <b>EFI_DHCP4_STATE</b> is defined below.
--------------	---

<i>ConfigData</i>	The configuration data of the current EFI DHCPv4 Protocol driver instance. Type <b>EFI_DHCP4_CONFIG_DATA</b> is defined in <b>EFI_DHCP4_PROTOCOL.Configure()</b> .
<i>ClientAddress</i>	The client IP address that was acquired from the DHCP server. If it is zero, the DHCP acquisition has not completed yet and the following fields in this structure are undefined.
<i>ClientMacAddress</i>	The local hardware address.
<i>ServerAddress</i>	The server IP address that is providing the DHCP service to this client.
<i>RouterAddress</i>	The router IP address that was acquired from the DHCP server. May be zero if the server does not offer this address.
<i>SubnetMask</i>	The subnet mask of the connected network that was acquired from the DHCP server.
<i>LeaseTime</i>	The lease time (in 1-second units) of the configured IP address. The value 0xFFFFFFFF means that the lease time is infinite. A default lease of 7 days is used if the DHCP server does not provide a value.
<i>ReplyPacket</i>	The cached latest DHCPACK or DHCPNAK or BOOTP REPLY packet. May be <b>NULL</b> if no packet is cached.

The **EFI\_DHCP4\_MODE\_DATA** structure describes the operational data of the current DHCP procedure.

```

//*****
// EFI_DHCP4_STATE
//*****
typedef enum {
    Dhcp4Stopped           = 0x0,
    Dhcp4Init              = 0x1,
    Dhcp4Selecting         = 0x2,
    Dhcp4Requesting        = 0x3,
    Dhcp4Bound              = 0x4,
    Dhcp4Renewing           = 0x5,
    Dhcp4Rebinding         = 0x6,
    Dhcp4InitReboot        = 0x7,
    Dhcp4Rebooting         = 0x8
} EFI_DHCP4_STATE;

```

Table 162 describes the fields in the above enumeration.

**Table 162. DHCP4 Enumerations**

<i>Dhcp4Stopped</i>	The EFI DHCPv4 Protocol driver is stopped and <b>EFI_DHCP4_PROTOCOL.Configure()</b> needs to be called. The rest of the <b>EFI_DHCP4_MODE_DATA</b> structure is undefined in this state.
<i>Dhcp4Init</i>	The EFI DHCPv4 Protocol driver is inactive and <b>EFI_DHCP4_PROTOCOL.Start()</b> needs to be called. The rest of the <b>EFI_DHCP4_MODE_DATA</b> structure is undefined in this state.
<i>Dhcp4Selecting</i>	The EFI DHCPv4 Protocol driver is collecting DHCP offer packets from DHCP servers. The rest of the <b>EFI_DHCP4_MODE_DATA</b> structure is undefined in this state.
<i>Dhcp4Requesting</i>	The EFI DHCPv4 Protocol driver has sent the request to the DHCP server and is waiting for a response. The rest of the <b>EFI_DHCP4_MODE_DATA</b> structure is undefined in this state.
<i>Dhcp4Bound</i>	The DHCP configuration has completed. All of the fields in the <b>EFI_DHCP4_MODE_DATA</b> structure are defined.
<i>Dhcp4Renewing</i>	The DHCP configuration is being renewed and another request has been sent out, but it has not received a response from the server yet. All of the fields in the <b>EFI_DHCP4_MODE_DATA</b> structure are available but may change soon.
<i>Dhcp4Rebinding</i>	The DHCP configuration has timed out and the EFI DHCPv4 Protocol driver is trying to extend the lease time. The rest of the <b>EFI_DHCP4_MODE</b> structure is undefined in this state.
<i>Dhcp4InitReboot</i>	The EFI DHCPv4 Protocol driver is initialized with a previously allocated or known IP address. <b>EFI_DHCP4_PROTOCOL.Start()</b> needs to be called to start the configuration process. The rest of the <b>EFI_DHCP4_MODE_DATA</b> structure is undefined in this state.
<i>Dhcp4Rebooting</i>	The EFI DHCPv4 Protocol driver is seeking to reuse the previously allocated IP address by sending a request to the DHCP server. The rest of the <b>EFI_DHCP4_MODE_DATA</b> structure is undefined in this state.

**EFI\_DHCP4\_STATE** defines the DHCP operational states that are described in RFC 2131, which can be obtained from the following URL:

<http://www.ietf.org/rfc/rfc2131.txt>

A variable number of EFI DHCPv4 Protocol driver instances can coexist but they share the same state machine. More precisely, each communication device has a separate DHCP state machine if there are multiple communication devices. Each EFI DHCPv4 Protocol driver instance that is created by the same EFI DHCPv4 Service Binding Protocol driver instance shares the same state machine. In this document, when we refer to the state of EFI DHCPv4 Protocol driver, we actually refer to the state of the communication device from which the current EFI DHCPv4 Protocol Driver instance is created.

```

//*****
// EFI_DHCP4_PACKET
//*****
#pragma pack(1)
typedef struct {
    UINT32          Size;
    UINT32          Length;
    struct{
        EFI_DHCP4_HEADER  Header;
        UINT32            Magik;
        UINT8             Option[1];
    } Dhcp4;
} EFI_DHCP4_PACKET;
#pragma pack()

```

*Size*                                    Size of the **EFI\_DHCP4\_PACKET** buffer.

*Length*                                Length of the **EFI\_DHCP4\_PACKET** from the first byte of the *Header* field to the last byte of the *Option[]* field.

*Header*                                 DHCP packet header.

*Magik*                                 DHCP magik cookie in network byte order.

*Option*                                Start of the DHCP packed option data.

**EFI\_DHCP4\_PACKET** defines the format of DHCPv4 packets. See RFC 2131 for more information.

### Status Codes Returned

EFI_SUCCESS	The mode data was returned.
EFI_INVALID_PARAMETER	<i>This</i> is <b>NULL</b> .

## EFI\_DHCP4\_PROTOCOL.Configure()

### Summary

Initializes, changes, or resets the operational settings for the EFI DHCPv4 Protocol driver.

### Prototype

```
typedef
EFI_STATUS
(EFI_API *EFI_DHCP4_CONFIGURE) (
    IN EFI_DHCP4_PROTOCOL           *This,
    IN EFI_DHCP4_CONFIG_DATA       *Dhcp4CfgData OPTIONAL
);
```

### Parameters

<i>This</i>	Pointer to the <b>EFI_DHCP4_PROTOCOL</b> instance.
<i>Dhcp4CfgData</i>	Pointer to the <b>EFI_DHCP4_CONFIG_DATA</b> . Type <b>EFI_DHCP4_CONFIG_DATA</b> is defined in “Related Definitions” below.

### Description

The **Configure()** function is used to initialize, change, or reset the operational settings of the EFI DHCPv4 Protocol driver for the communication device on which the EFI DHCPv4 Service Binding Protocol is installed. This function can be successfully called only if both of the following are true:

- This instance of the EFI DHCPv4 Protocol driver is in the *Dhcp4Stopped*, *Dhcp4Init*, *Dhcp4InitReboot*, or *Dhcp4Bound* states.
- No other EFI DHCPv4 Protocol driver instance that is controlled by this EFI DHCPv4 Service Binding Protocol driver instance has configured this EFI DHCPv4 Protocol driver.

When this driver is in the *Dhcp4Stopped* state, it can transfer into one of the following two possible initial states:

- *Dhcp4Init*
- *Dhcp4InitReboot*

The driver can transfer into these states by calling **Configure()** with a non-**NULL** *Dhcp4CfgData*. It can transfer into *Dhcp4Init* when no IP address is provided in *Dhcp4CfgData* or into *Dhcp4InitReboot* state if there is a previously assigned IP address. Otherwise, the state of EFI DHCPv4 Protocol driver will not be changed.

When **Configure()** is called successfully while *Dhcp4CfgData* is set to **NULL**, the default configuring data will be reset in the EFI DHCPv4 Protocol driver and the state of the EFI DHCPv4 Protocol driver will not be changed. If one instance wants to make it possible for another instance

to configure the EFI DHCPv4 Protocol driver, it must call this function with *Dhcp4CfgData* set to **NULL**.

## Related Definitions

```
/**
 * *****
 * // EFI_DHCP4_CONFIG_DATA
 * *****
 */
typedef struct {
    UINT32                DiscoverTryCount    OPTIONAL;
    UINT32                *DiscoverTimeout  OPTIONAL;
    UINT32                RequestTryCount    OPTIONAL;
    UINT32                *RequestTimeout   OPTIONAL;
    EFI_IPv4_ADDRESS      ClientAddress;
    EFI_DHCP4_CALLBACK    Dhcp4Callback    OPTIONAL;
    VOID                  *CallbackContext  OPTIONAL;
    UINT32                OptionCount;
    EFI_DHCP4_PACKET_OPTION **OptionList    OPTIONAL;
} EFI_DHCP4_CONFIG_DATA;
```

*DiscoverTryCount*      Number of times to try sending DHCPDISCOVER packets and waiting for DHCPOFFER packets before accepting failure. (This value is also the number of entries in the *DiscoverTimeout* array.) Set to zero to use the default try counts and timeout values.

*DiscoverTimeout*      Maximum amount of time (in seconds) to wait for DHCPOFFER packets in each of the retries. Timeout values of zero will default to a timeout value of one second. Set to **NULL** to use default timeout values.

*RequestTryCount*      Number of times to try sending DHCPREQUEST packets and waiting for DHCPACK packets before accepting failure. (This value is also the number of entries in the *RequestTimeout* array.) Set to zero to use the default try counts and timeout values.

*RequestTimeout*      Maximum amount of time (in seconds) to wait for DHCPACK packets in each of the retries. Timeout values of zero will default to a timeout value of one second. Set to **NULL** to use default timeout values.

*ClientAddress*      Setting this parameter to the previously allocated IP address will cause the EFI DHCPv4 Protocol driver to enter the *Dhcp4InitReboot* state. Set this field to 0.0.0.0 to enter the *Dhcp4Init* state.

*Dhcp4Callback* The callback function to intercept various events that occurred in the DHCP configuration process. Set to **NULL** to ignore all those events. Type **EFI\_DHCP4\_CALLBACK** is defined below.

*CallbackContext* Pointer to the context that will be passed to *Dhcp4Callback* when it is called.

*OptionCount* Number of DHCP options in the *OptionList*.

*OptionList* List of DHCP options to be included in every DHCPDISCOVER packet and subsequent DHCPREQUEST packet that is generated from DHCPOFFER packets. Pad options are appended automatically by DHCP driver in outgoing DHCP packets. If *OptionList* itself contains pad option, they are ignored by driver. *OptionList* can be freed after **EFI\_DHCP4\_PROTOCOL.Configure()** returns. Ignored if *OptionCount* is zero. Type **EFI\_DHCP4\_PACKET\_OPTION** is defined below.

```

//*****
// EFI_DHCP4_CALLBACK
//*****
typedef EFI_STATUS (*EFI_DHCP4_CALLBACK) (
    IN EFI_DHCP4_PROTOCOL      *This,
    IN VOID                    *Context,
    IN EFI_DHCP4_STATE         CurrentState,
    IN EFI_DHCP4_EVENT         Dhcp4Event,
    IN EFI_DHCP4_PACKET        *Packet,          OPTIONAL
    OUT EFI_DHCP4_PACKET       **NewPacket      OPTIONAL
);

```

*This* Pointer to the EFI DHCPv4 Protocol instance that is used to configure this callback function.

*Context* Pointer to the context that is initialized by **EFI\_DHCP4\_PROTOCOL.Configure()**.

*CurrentState* The current operational state of the EFI DHCPv4 Protocol driver. Type **EFI\_DHCP4\_STATE** is defined in **EFI\_DHCP4\_PROTOCOL.GetModeData()**.

*Dhcp4Event* The event that occurs in the current state, which usually means a state transition. Type **EFI\_DHCP4\_EVENT** is defined below.



*Packet*

The DHCP packet that is going to be sent or already received. May be **NULL** if the event has no associated packet. Do not cache this packet except for copying it. Type **EFI\_DHCP4\_PACKET** is defined in **EFI\_DHCP4\_PROTOCOL.GetModeData ()**.

*NewPacket*

The packet that is used to replace the above *Packet*. Do not set this pointer exactly to the above *Packet* or a modified *Packet*. *NewPacket* can be **NULL** if the EFI DHCPv4 Protocol driver does not expect a new packet to be returned. The user may set *\*NewPacket* to **NULL** if no replacement occurs.

**EFI\_DHCP4\_CALLBACK** is provided by the consumer of the EFI DHCPv4 Protocol driver to intercept events that occurred in the configuration process. This structure provides advanced control of each state transition of the DHCP process. The returned status code determines the behavior of the EFI DHCPv4 Protocol driver. There are three possible returned values, which are described in the following table.

EFI_SUCCESS	Tells the EFI DHCPv4 Protocol driver to continue the DHCP process. When it is in the <i>Dhcp4Selecting</i> state, it tells the EFI DHCPv4 Protocol driver to stop collecting more DHCPOFFER packets and go ahead to requesting the state after asking the user to provide a selected DHCPOFFER packet.
EFI_NOT_READY	Only used in the <i>Dhcp4Selecting</i> state. The EFI DHCPv4 Protocol driver will continue to wait for more DHCPOFFER packets until the retry timeout expires.
EFI_ABORTED	Tells the EFI DHCPv4 Protocol driver to abort the current process and return to the <i>Dhcp4Init</i> or <i>Dhcp4InitReboot</i> state.

```

//*****
// EFI_DHCP4_EVENT
//*****
typedef enum {
    Dhcp4SendDiscover          = 0x01,
    Dhcp4RcvdOffer             = 0x02,
    Dhcp4SelectOffer           = 0x03,
    Dhcp4SendRequest           = 0x04,
    Dhcp4RcvdAck                = 0x05,
    Dhcp4RcvdNak                = 0x06,
    Dhcp4SendDecline           = 0x07,
    Dhcp4BoundCompleted         = 0x08,
    Dhcp4EnterRenewing          = 0x09,
    Dhcp4EnterRebinding         = 0x0a,
    Dhcp4AddressLost            = 0x0b,
    Dhcp4Fail                    = 0x0c
} EFI_DHCP4_EVENT;

```

Following is a description of the fields in the above enumeration.

<i>Dhcp4SendDiscover</i>	A DHCPDISCOVER packet is about to be sent. The packet is passed to <i>Dhcp4Callback</i> and can be modified or replaced in <i>Dhcp4Callback</i> .
<i>Dhcp4RcvdOffer</i>	A DHCPOFFER packet was just received. This packet is passed to <i>Dhcp4Callback</i> , which may copy this packet and cache it for selecting a task later. If the callback returns <b>EFI_SUCCESS</b> , this driver will finish the selecting state. If <b>EFI_NOT_READY</b> is returned, this driver will continue to wait for DHCPOFFER packets until the timer expires. In either case, <i>Dhcp4SelectOffer</i> will occur for the user to select an offer.
<i>Dhcp4SelectOffer</i>	It is time for <i>Dhcp4Callback</i> to select an offer. This driver passes the latest received DHCPOFFER packet to the callback. The <i>Dhcp4Callback</i> may store one packet in the <i>NewPacket</i> parameter of the function that was selected from previously received DHCPOFFER packets. If the latest packet is the selected one or if the user does not care about it, no extra overhead is needed. Simply skipping this event is enough.
<i>Dhcp4SendRequest</i>	A request packet is about to be sent. The user can modify or replace this packet.
<i>Dhcp4RcvdAck</i>	A DHCPACK packet was received and will be passed to <i>Dhcp4Callback</i> . The callback may decline this DHCPACK packet by returning <b>EFI_ABORTED</b> . In this case, the EFI DHCPv4 Protocol driver will send a DHCPDECLINE packet to the server and then return to the <i>Dhcp4Init</i> state.
<i>Dhcp4RcvdNak</i>	A DHCPNAK packet was received and will be passed to <i>Dhcp4Callback</i> . The EFI DHCPv4 Protocol driver will then return to the <i>Dhcp4Init</i> state no matter what status code is returned from the callback function.
<i>Dhcp4SendDecline</i>	A decline packet is about to be sent. <i>Dhcp4Callback</i> can modify or replace this packet.
<i>Dhcp4BoundCompleted</i>	The DHCP configuration process has completed. No packet is associated with this event.
<i>Dhcp4EnterRenewing</i>	It is time to enter the <i>Dhcp4Renewing</i> state and to contact the server that originally issued the network address. No packet is associated with this event.

<i>Dhcp4EnterRebinding</i>	It is time to enter the <i>Dhcp4Rebinding</i> state and to contact any server. No packet is associated with this event.
<i>Dhcp4AddressLost</i>	The configured IP address was lost either because the lease has expired, the user released the configuration, or a DHCPNAK packet was received in the <i>Dhcp4Renewing</i> or <i>Dhcp4Rebinding</i> state. No packet is associated with this event.
<i>Dhcp4Fail</i>	The DHCP process failed because a DHCPNAK packet was received or the user aborted the DHCP process at a time when the configuration was not available yet. No packet is associated with this event.

```

//*****
// EFI_DHCP4_HEADER
//*****
#pragma pack(1)
typedef struct{
    UINT8           OpCode;
    UINT8           HwType;
    UINT8           HwAddrLen;
    UINT8           Hops;
    UINT32          Xid;
    UINT16          Seconds;
    UINT16          Reserved;
    EFI_IPv4_ADDRESS ClientAddr;
    EFI_IPv4_ADDRESS YourAddr;
    EFI_IPv4_ADDRESS ServerAddr;
    EFI_IPv4_ADDRESS GatewayAddr;
    UINT8           ClientHwAddr[16];
    CHAR8           ServerName[64];
    CHAR8           BootFileName[128];
} EFI_DHCP4_HEADER;
#pragma pack()

```

*OpCode*                    Message type. 1 = BOOTREQUEST, 2 = BOOTREPLY.

*HwType*                    Hardware address type.

*HwAddrLen*                Hardware address length.

*Hops*                      Maximum number of hops (routers, gateways, or relay agents) that this DHCP packet can go through before it is dropped.

*Xid*                        DHCP transaction ID.

<i>Seconds</i>	Number of seconds that have elapsed since the client began address acquisition or the renewal process.
<i>Reserved</i>	Reserved for future use.
<i>ClientAddr</i>	Client IP address from the client.
<i>YourAddr</i>	Client IP address from the server.
<i>ServerAddr</i>	IP address of the next server in bootstrap.
<i>GatewayAddr</i>	Relay agent IP address.
<i>ClientHwAddr</i>	Client hardware address.
<i>ServerName</i>	Optional server host name.
<i>BootFileName</i>	Boot file name.

**EFI\_DHCP4\_HEADER** describes the semantics of the DHCP packet header. This packet header is in network byte order.

```

//*****
// EFI_DHCP4_PACKET_OPTION
//*****
#pragma pack(1)
typedef struct {
    UINT8      OpCode;
    UINT8      Length;
    UINT8      Data[1];
} EFI_DHCP4_PACKET_OPTION;
#pragma pack()

```

*OpCode* DHCP option code.

*Length* Length of the DHCP option data. Not present if *OpCode* is 0 or 255.

*Data* Start of the DHCP option data. Not present if *OpCode* is 0 or 255 or if *Length* is zero.

The DHCP packet option data structure is used to reference option data that is packed in the DHCP packets. Use caution when accessing multibyte fields because the information in the DHCP packet may not be properly aligned for the machine architecture.

## Status Codes Returned

EFI_SUCCESS	The EFI DHCPv4 Protocol driver is now in the <i>Dhcp4Init</i> or <i>Dhcp4InitReboot</i> state, if the original state of this driver was <i>Dhcp4Stopped</i> and the value of <i>Dhcp4CfgData</i> was not <b>NULL</b> . Otherwise, the state was left unchanged.
EFI_ACCESS_DENIED	This instance of the EFI DHCPv4 Protocol driver was not in the <i>Dhcp4Stopped</i> , <i>Dhcp4Init</i> , <i>Dhcp4InitReboot</i> , or <i>Dhcp4Bound</i> state.
EFI_ACCESS_DENIED	Another instance of this EFI DHCPv4 Protocol driver is already in a valid configured state.
EFI_INVALID_PARAMETER	<ul style="list-style-type: none"> <li>• One or more following conditions are <b>TRUE</b>:</li> <li>• <i>This</i> is <b>NULL</b>.</li> <li>• <i>DiscoverTryCount</i> &gt; 0 and <i>DiscoverTimeout</i> is <b>NULL</b></li> <li>• <i>RequestTryCount</i> &gt; 0 and <i>RequestTimeout</i> is <b>NULL</b>.</li> <li>• <i>OptionCount</i> &gt; 0 and <i>OptionList</i> is <b>NULL</b>.</li> <li>• <i>ClientAddress</i> is not a valid unicast address.</li> </ul>
EFI_OUT_OF_RESOURCES	Required system resources could not be allocated.

EFI_DEVICE_ERROR	An unexpected system or network error occurred.
------------------	---

## EFI\_DHCP4\_PROTOCOL.Start()

### Summary

Starts the DHCP configuration process.

### Prototype

```
typedef
EFI_STATUS
(EFI_API *EFI_DHCP4_START) (
    IN EFI_DHCP4_PROTOCOL      *This,
    IN EFI_EVENT                CompletionEvent OPTIONAL
);
```

### Parameters

<i>This</i>	Pointer to the <b>EFI_DHCP4_PROTOCOL</b> instance.
<i>CompletionEvent</i>	If not <b>NULL</b> , indicates the event that will be signaled when the EFI DHCPv4 Protocol driver is transferred into the <i>Dhcp4Bound</i> state or when the DHCP process is aborted. <b>EFI_DHCP4_PROTOCOL.GetModeData()</b> can be called to check the completion status. If <b>NULL</b> , <b>EFI_DHCP4_PROTOCOL.Start()</b> will wait until the driver is transferred into the <i>Dhcp4Bound</i> state or the process fails.

### Description

The **Start()** function starts the DHCP configuration process. This function can be called only when the EFI DHCPv4 Protocol driver is in the *Dhcp4Init* or *Dhcp4InitReboot* state.

If the DHCP process completes successfully, the state of the EFI DHCPv4 Protocol driver will be transferred through *Dhcp4Selecting* and *Dhcp4Requesting* to the *Dhcp4Bound* state. The *CompletionEvent* will then be signaled if it is not **NULL**.

If the process aborts, either by the user or by some unexpected network error, the state is restored to the *Dhcp4Init* state. The **Start()** function can be called again to restart the process.

Refer to RFC 2131 for precise state transitions during this process. At the time when each event occurs in this process, the callback function that was set by **EFI\_DHCP4\_PROTOCOL.Configure()** will be called and the user can take this opportunity to control the process.



## Status Codes Returned

EFI_SUCCESS	The DHCP configuration process has started, or it has completed when <i>CompletionEvent</i> is <b>NULL</b> .
EFI_NOT_STARTED	The EFI DHCPv4 Protocol driver is in the <i>Dhcp4Stopped</i> state. <b>EFI_DHCP4_PROTOCOL.Configure()</b> needs to be called.
EFI_INVALID_PARAMETER	<i>This</i> is <b>NULL</b> .
EFI_OUT_OF_RESOURCES	Required system resources could not be allocated.
EFI_TIMEOUT	The DHCP configuration process failed because no response was received from the server within the specified timeout value.
EFI_ABORTED	The user aborted the DHCP process.
EFI_ALREADY_STARTED	Some other EFI DHCPv4 Protocol instance already started the DHCP process.
EFI_DEVICE_ERROR	An unexpected network or system error occurred.

## EFI\_DHCP4\_PROTOCOL.RenewRebind()

### Summary

Extends the lease time by sending a request packet.

### Prototype

```
typedef
EFI_STATUS
(EFIAPI *EFI_DHCP4_RENEW_REBIND) (
    IN EFI_DHCP4_PROTOCOL    *This,
    IN BOOLEAN                RebindRequest,
    IN EFI_EVENT              CompletionEvent    OPTIONAL
);
```

### Parameters

<i>This</i>	Pointer to the <b>EFI_DHCP4_PROTOCOL</b> instance.
<i>RebindRequest</i>	If <b>TRUE</b> , this function broadcasts the request packets and enters the <i>Dhcp4Rebinding</i> state. Otherwise, it sends a unicast request packet and enters the <i>Dhcp4Renewing</i> state.
<i>CompletionEvent</i>	If not <b>NULL</b> , this event is signaled when the renew/rebind phase completes or some error occurs. <b>EFI_DHCP4_PROTOCOL.GetModeData()</b> can be called to check the completion status. If <b>NULL</b> , <b>EFI_DHCP4_PROTOCOL.RenewRebind()</b> will busy-wait until the DHCP process finishes.

### Description

The **RenewRebind()** function is used to manually extend the lease time when the EFI DHCPv4 Protocol driver is in the *Dhcp4Bound* state and the lease time has not expired yet. This function will send a request packet to the previously found server (or to any server when *RebindRequest* is **TRUE**) and transfer the state into the *Dhcp4Renewing* state (or *Dhcp4Rebinding* when *RebindingRequest* is **TRUE**). When a response is received, the state is returned to *Dhcp4Bound*.

If no response is received before the try count is exceeded (the *RequestTryCount* field that is specified in **EFI\_DHCP4\_CONFIG\_DATA**) but before the lease time that was issued by the previous server expires, the driver will return to the *Dhcp4Bound* state and the previous configuration is restored. The outgoing and incoming packets can be captured by the **EFI\_DHCP4\_CALLBACK** function.

## Status Codes Returned

EFI_SUCCESS	The EFI DHCPv4 Protocol driver is now in the <i>Dhcp4Renewing</i> state or is back to the <i>Dhcp4Bound</i> state.
EFI_NOT_STARTED	The EFI DHCPv4 Protocol driver is in the <i>Dhcp4Stopped</i> state. <b>EFI_DHCP4_PROTOCOL.Configure ()</b> needs to be called.
EFI_INVALID_PARAMETER	<i>This</i> is <b>NULL</b> .
EFI_TIMEOUT	There was no response from the server when the try count was exceeded.
EFI_ACCESS_DENIED	The driver is not in the <i>Dhcp4Bound</i> state.
EFI_DEVICE_ERROR	An unexpected network or system error occurred.

## EFI\_DHCP4\_PROTOCOL.Release()

### Summary

Releases the current address configuration.

### Prototype

```
typedef
EFI_STATUS
(EFI_API *EFI_DHCP4_RELEASE) (
    IN EFI_DHCP4_PROTOCOL *This
);
```

### Parameters

*This* Pointer to the **EFI\_DHCP4\_PROTOCOL** instance.

### Description

The **Release()** function releases the current configured IP address by doing either of the following:

- Sending a DHCPRELEASE packet when the EFI DHCPv4 Protocol driver is in the *Dhcp4Bound* state
- Setting the previously assigned IP address that was provided with the **EFI\_DHCP4\_PROTOCOL.Configure()** function to 0.0.0.0 when the driver is in *Dhcp4InitReboot* state

After a successful call to this function, the EFI DHCPv4 Protocol driver returns to the *Dhcp4Init* state and any subsequent incoming packets will be discarded silently.

### Status Codes Returned

EFI_SUCCESS	The EFI DHCPv4 Protocol driver is now in the <i>Dhcp4Init</i> phase.
EFI_INVALID_PARAMETER	<i>This</i> is <b>NULL</b> .
EFI_ACCESS_DENIED	The EFI DHCPv4 Protocol driver is not in the <i>Dhcp4Bound</i> or <i>Dhcp4InitReboot</i> state.
EFI_DEVICE_ERROR	An unexpected network or system error occurred.

## EFI\_DHCP4\_PROTOCOL.Stop()

### Summary

Stops the DHCP configuration process.

### Prototype

```
typedef
EFI_STATUS
(EFI_API *EFI_DHCP4_STOP) (
    IN EFI_DHCP4_PROTOCOL *This
);
```

### Parameters

*This* Pointer to the **EFI\_DHCP4\_PROTOCOL** instance.

### Description

The **Stop()** function is used to stop the DHCP configuration process. After this function is called successfully, the EFI DHCPv4 Protocol driver is transferred into the *Dhcp4Stopped* state. **EFI\_DHCP4\_PROTOCOL.Configure()** needs to be called before DHCP configuration process can be started again. This function can be called when the EFI DHCPv4 Protocol driver is in any state.

### Status Codes Returned

EFI_SUCCESS	The EFI DHCPv4 Protocol driver is now in the <i>Dhcp4Stopped</i> state.
EFI_INVALID_PARAMETER	<i>This</i> is <b>NULL</b> .

## EFI\_DHCP4\_PROTOCOL.Build()

### Summary

Builds a DHCP packet, given the options to be appended or deleted or replaced.

### Prototype

```
typedef
EFI_STATUS
(EFIAPI *EFI_DHCP4_BUILD) (
    IN EFI_DHCP4_PROTOCOL           *This,
    IN EFI_DHCP4_PACKET             *SeedPacket,
    IN UINT32                       DeleteCount,
    IN UINT8                        *DeleteList           OPTIONAL,
    IN UINT32                       AppendCount,
    IN EFI_DHCP4_PACKET_OPTION      *AppendList[]       OPTIONAL,
    OUT EFI_DHCP4_PACKET             **NewPacket
);
```

### Parameters

<i>This</i>	Pointer to the <b>EFI_DHCP4_PROTOCOL</b> instance.
<i>SeedPacket</i>	Initial packet to be used as a base for building new packet. Type <b>EFI_DHCP4_PACKET</b> is defined in <b>EFI_DHCP4_PROTOCOL.GetModeData()</b> .
<i>DeleteCount</i>	Number of opcodes in the <i>DeleteList</i> .
<i>DeleteList</i>	List of opcodes to be deleted from the seed packet. Ignored if <i>DeleteCount</i> is zero.
<i>AppendCount</i>	Number of entries in the <i>OptionList</i> .
<i>AppendList</i>	Pointer to a DHCP option list to be appended to <i>SeedPacket</i> . If <i>SeedPacket</i> also contains options in this list, they are replaced by new options (except pad option). Ignored if <i>AppendCount</i> is zero. Type <b>EFI_DHCP4_PACKET_OPTION</b> is defined in <b>EFI_DHCP4_PROTOCOL.Configure()</b> .
<i>NewPacket</i>	Pointer to storage for the pointer to the new allocated packet. Use the EFI Boot Service <b>FreePool()</b> on the resulting pointer when done with the packet.

## Description

The **Build()** function is used to assemble a new packet from the original packet by replacing or deleting existing options or appending new options. This function does not change any state of the EFI DHCPv4 Protocol driver and can be used at any time.

## Status Codes Returned

EFI_SUCCESS	The new packet was built.
EFI_OUT_OF_RESOURCES	Storage for the new packet could not be allocated.
EFI_INVALID_PARAMETER	One or more of the following conditions is <b>TRUE</b> : <ul style="list-style-type: none"><li>• <i>This</i> is <b>NULL</b>.</li><li>• <i>SeedPacket</i> is <b>NULL</b>.</li><li>• <i>SeedPacket</i> is not a well-formed DHCP packet.</li><li>• <i>AppendCount</i> is not zero and <i>AppendList</i> is <b>NULL</b>.</li><li>• <i>DeleteCount</i> is not zero and <i>DeleteList</i> is <b>NULL</b>.</li><li>• <i>NewPacket</i> is <b>NULL</b></li><li>• Both <i>DeleteCount</i> and <i>AppendCount</i> are zero and <i>NewPacket</i> is not <b>NULL</b>.</li></ul>

## EFI\_DHCP4\_PROTOCOL.TransmitReceive()

### Summary

Transmits a DHCP formatted packet and optionally waits for responses.

### Prototype

```
typedef
EFI_STATUS
(EFI_API *EFI_DHCP4_TRANSMIT_RECEIVE) (
    IN EFI_DHCP4_PROTOCOL           *This,
    IN EFI_DHCP4_TRANSMIT_RECEIVE_TOKEN *Token
);
```

### Parameters

<i>This</i>	Pointer to the <b>EFI_DHCP4_PROTOCOL</b> instance.
<i>Token</i>	Pointer to the <b>EFI_DHCP4_TRANSMIT_RECEIVE_TOKEN</b> structure. Type <b>EFI_DHCP4_TRANSMIT_RECEIVE_TOKEN</b> is defined in “Related Definitions” below.

### Description

The **TransmitReceive()** function is used to transmit a DHCP packet and optionally wait for the response from servers. This function does not change the state of the EFI DHCPv4 Protocol driver and thus can be used at any time.

### Related Definitions

```
/**
// *****
// EFI_DHCP4_TRANSMIT_RECEIVE_TOKEN
// *****
typedef struct {
    OUT EFI_STATUS           Status;
    IN EFI_EVENT             CompletionEvent           OPTIONAL;
    IN EFI_IPv4_ADDRESS      RemoteAddress;
    IN UINT16                 RemotePort;
    IN EFI_IPv4_ADDRESS      GatewayAddress           OPTIONAL;
    IN UINT32                 ListenPointCount;
    IN EFI_DHCP4_LISTEN_POINT *ListenPoints           OPTIONAL;
    IN UINT32                 TimeoutValue;
    IN EFI_DHCP4_PACKET       *Packet;
    OUT UINT32                 ResponseCount           OPTIONAL;
    OUT EFI_DHCP4_PACKET       *ResponseList           OPTIONAL;
} EFI_DHCP4_TRANSMIT_RECEIVE_TOKEN;
```



<i>Status</i>	The completion status of transmitting and receiving. Possible values are described in the “Status Codes Returned” table below. When <i>CompletionEvent</i> is <b>NULL</b> , this status is the same as the one returned by the <b>TransmitReceive ()</b> function.
<i>CompletionEvent</i>	If not <b>NULL</b> , the event that will be signaled when the collection process completes. If <b>NULL</b> , this function will busy-wait until the collection process competes.
<i>RemoteAddress</i>	Pointer to the server IP address. This address may be a unicast, multicast, or broadcast address.
<i>RemotePort</i>	Server listening port number. If zero, the default server listening port number (67) will be used.
<i>GatewayAddress</i>	Pointer to the gateway address to override the existing setting.
<i>ListenPointCount</i>	The number of entries in <i>ListenPoints</i> . If zero, the default station address and port number 68 are used.
<i>ListenPoints</i>	An array of station address and port number pairs that are used as receiving filters. The first entry is also used as the source address and source port of the outgoing packet. Type <b>EFI_DHCP4_LISTEN_POINT</b> is defined below.
<i>TimeoutValue</i>	Number of seconds to collect responses. Zero is invalid.
<i>Packet</i>	Pointer to the packet to be transmitted. Type <b>EFI_DHCP4_PACKET</b> is defined in <b>EFI_DHCP4_PROTOCOL.GetModeData ()</b> .
<i>ResponseCount</i>	Number of received packets.
<i>ResponseList</i>	Pointer to the allocated list of received packets. The caller must use the EFI Boot Service <b>FreePool ()</b> when done using the received packets.

```

//*****
// EFI_DHCP4_LISTEN_POINT
//*****
typedef struct {
    EFI_IPv4_ADDRESS    ListenAddress;
    EFI_IPv4_ADDRESS    SubnetMask;
    UINT16              ListenPort;
} EFI_DHCP4_LISTEN_POINT;

```

<i>ListenAddress</i>	Alternate listening address. It can be a unicast, multicast, or broadcast address. The <b>TransmitReceive()</b> function will collect only those packets that are destined to this address. If <b>NULL</b> , the default (unicast) station address will be used.
<i>SubnetMask</i>	The subnet mask of above listening unicast/broadcast IP address. Ignored if <i>ListenAddress</i> is a multicast address. If <b>NULL</b> , the subnet mask is automatically computed from unicast <i>ListenAddress</i> . Cannot be <b>NULL</b> if <i>ListenAddress</i> is direct broadcast address on subnet.
<i>ListenPort</i>	Alternate station source (or listening) port number. If zero, then the default station port number (68) will be used.

## Status Codes Returned

EFI_SUCCESS	The packet was successfully queued for transmission.
EFI_INVALID_PARAMETER	One or more of the following conditions is <b>TRUE</b> : <ul style="list-style-type: none"> <li>• <i>This</i> is <b>NULL</b>.</li> <li>• <i>Token.RemoteAddress</i> is zero.</li> <li>• <i>Token.Packet</i> is <b>NULL</b>.</li> <li>• <i>Token.Packet</i> is not a well-formed DHCP packet.</li> <li>• The transaction ID in <i>Token.Packet</i> is in use by another DHCP process.</li> </ul>
EFI_NOT_READY	The previous call to this function has not finished yet. Try to call this function after collection process completes.
EFI_NO_MAPPING	The default station address is not available yet.
EFI_OUT_OF_RESOURCES	Required system resources could not be allocated.
Others	Some other unexpected error occurred.

## EFI\_DHCP4\_PROTOCOL.Parse()

### Summary

Parses the packed DHCP option data.

### Prototype

```
typedef
EFI_STATUS
(EFIAPI *EFI_DHCP4_PARSE) (
    IN EFI_DHCP4_PROTOCOL           *This,
    IN EFI_DHCP4_PACKET             *Packet
    IN OUT UINT32                   *OptionCount,
    IN OUT EFI_DHCP4_PACKET_OPTION *PacketOptionList[] OPTIONAL
);
```

### Parameters

<i>This</i>	Pointer to the <b>EFI_DHCP4_PROTOCOL</b> instance.
<i>Packet</i>	Pointer to packet to be parsed. Type <b>EFI_DHCP4_PACKET</b> is defined in <b>EFI_DHCP4_PROTOCOL.GetModeData()</b> .
<i>OptionCount</i>	On input, the number of entries in the <i>PacketOptionList</i> . On output, the number of entries that were written into the <i>PacketOptionList</i> .
<i>PacketOptionList</i>	List of packet option entries to be filled in. End option or pad options are not included. Type <b>EFI_DHCP4_PACKET_OPTION</b> is defined in <b>EFI_DHCP4_PROTOCOL.Configure()</b> .

## Description

The **Parse ()** function is used to retrieve the option list from a DHCP packet.

## Status Codes Returned

EFI_SUCCESS	The packet was successfully parsed.
EFI_INVALID_PARAMETER	One or more of the following conditions is <b>TRUE</b> : <ul style="list-style-type: none"><li>• <i>This</i> is <b>NULL</b>.</li><li>• <i>Packet</i> is <b>NULL</b>.</li><li>• <i>Packet</i> is not a well-formed DHCP packet.</li><li>• <i>OptionCount</i> is <b>NULL</b>.</li></ul>
EFI_BUFFER_TOO_SMALL	One or more of the following conditions is <b>TRUE</b> : <ul style="list-style-type: none"><li>• <i>*OptionCount</i> is smaller than the number of options that were found in the <i>Packet</i>.</li><li>• <i>PacketOptionList</i> is <b>NULL</b>.</li></ul>

## Network Protocols —TCPv4, IPv4 and Configuration

---

### 23.1 EFI TCPv4 Protocol

This section defines the EFI TCPv4 (Transmission Control Protocol version 4) Protocol.

#### EFI\_TCP4\_SERVICE\_BINDING\_PROTOCOL

##### Summary

The EFI TCPv4 Service Binding Protocol is used to locate EFI TCPv4 Protocol drivers to create and destroy child of the driver to communicate with other host using TCP protocol.

##### GUID

```
#define EFI_TCP4_SERVICE_BINDING_PROTOCOL_GUID \
    {0x00720665, 0x67EB, 0x4a99, 0xBAF7, 0xD3, 0xC3, 0x3A, 0x1C, 0x7C, 0xC9}
```

##### Description

A network application that requires TCPv4 I/O services can call one of the protocol handler services, such as **BS->LocateHandleBuffer()**, to search devices that publish an EFI TCPv4 Service Binding Protocol GUID. Such device supports the EFI TCPv4 Protocol and may be available for use.

After a successful call to the **EFI\_TCP4\_SERVICE\_BINDING\_PROTOCOL.CreateChild()** function, the newly created child EFI TCPv4 Protocol driver is in an un-configured state; it is not ready to do any operation except **Poll()** send and receive data packets until configured as the purpose of the user and perhaps some other indispensable function belonged to TCPv4 Protocol driver is called properly.

Every successful call to the **EFI\_TCP4\_SERVICE\_BINDING\_PROTOCOL.CreateChild()** function must be matched with a call to the **EFI\_TCP4\_SERVICE\_BINDING\_PROTOCOL.DestroyChild()** function to release the protocol driver.

## EFI TCP4 Variable

### Summary

A list of all the IPv4 addresses and port numbers in use must be maintained for each communications device. This list is stored as volatile variable so it can be publicly read.

### Vendor GUID

```
gEfiTcp4ServiceBindingProtocolGuid ;
```

### Variable Name

```
CHAR16 *MacAddress;
```

### Attribute

```
EFI_VARIABLE_BOOTSERVICE_ACCESS
```

### Description

*MacAddress* is the string of printed hexadecimal value for each byte in hardware address (of type **EFI\_MAC\_ADDRESS**) of the communications device. No 0x or h is included in each hex value. The length of *MacAddress* is determined by the hardware address length. For example: if the hardware address is 00-07-E9-51-60-D7, and address length is 6 bytes, then *MacAddress* is □"0007E95160D7".

### Related Definitions

```
/**
//*****
// EFI_TCP4_VARIABLE_DATA
//*****
typedef struct {
    EFI_HANDLE           DriverHandle;
    UINTN                ServiceCount;
    EFI_TCP4_SERVICE_POINT Services[1];
} EFI_TCP4_VARIABLE_DATA;
```

<i>DriverHandle</i>	The handle of the driver that creates this entry.
<i>ServiceCount</i>	The number of address/port pairs following this data structure.
<i>Services</i>	List of address/port pairs that are currently in use. Type <b>EFI_TCP4_SERVICE_POINT</b> is defined below.

```

//*****
// EFI_TCP4_SERVICE_POINT
//*****
typedef struct{
    EFI_IPv4_ADDRESS    LocalAddress;
    UINT16              LocalPort;
    EFI_IPv4_ADDRESS    RemoteAddress;
    UINT16              RemotePort;
} EFI_TCP4_SERVICE_POINT;

```

<i>LocalAddress</i>	The local IPv4 address to which this TCPv4 protocol instance is bound.
<i>LocalPort</i>	The local port number in host byte order.
<i>RemoteAddress</i>	The remote IPv4 address. It may be 0.0.0.0 if it isn't connected to any remote host.
<i>RemotePort</i>	The remote port number in host byte order. It may be zero if it isn't connected to any remote host

# EFI\_TCP4\_PROTOCOL

## Summary

The EFI TCPv4 Protocol provides services to send and receive data stream.

## GUID

```
#define EFI_TCP4_PROTOCOL_GUID \
{0x65530BC7, 0xA359, 0x410f, 0xB010, 0x5A, 0xAD, 0xC7, 0xEC, 0x2B, 0x62}
```

## Protocol Interface Structure

```
typedef struct _EFI_TCP4_PROTOCOL {
    EFI_TCP4_GET_MODE_DATA    GetModeData;
    EFI_TCP4_CONFIGURE        Configure;
    EFI_TCP4_ROUTES            Routes;
    EFI_TCP4_CONNECT           Connect;
    EFI_TCP4_ACCEPT            Accept;
    EFI_TCP4_TRANSMIT          Transmit;
    EFI_TCP4_RECEIVE           Receive;
    EFI_TCP4_CLOSE             Close;
    EFI_TCP4_CANCEL            Cancel;
    EFI_TCP4_POLL              Poll;
} EFI_TCP4_PROTOCOL;
```

## Parameters

<i>GetModeData</i>	Get the current operational status. See the <b>GetModeData ()</b> function description.
<i>Configure</i>	Initialize, change, or brutally reset operational settings of the EFI TCPv4 Protocol. See the <b>Configure ()</b> function description.
<i>Routes</i>	Add or delete routing entries for this TCP4 instance. See the <b>Routes ()</b> function description.
<i>Connect</i>	Initiate the TCP three-way handshake to connect to the remote peer configured in this TCP instance. The function is a nonblocking operation. See the <b>Connect ()</b> function description.
<i>Accept</i>	Listen for incoming TCP connection request. This function is a nonblocking operation. See the <b>Accept ()</b> function description.
<i>Transmit</i>	Queue outgoing data to the transmit queue. This function is a nonblocking operation. See the <b>Transmit ()</b> function description.



<i>Receive</i>	Queue a receiving request token to the receive queue. This function is a nonblocking operation. See the <b>Receive ()</b> function description.
<i>Close</i>	Gracefully disconnecting a TCP connection follow RFC 793 or reset a TCP connection. This function is a nonblocking operation. See the <b>Close ()</b> function description.
<i>Cancel</i>	Abort a pending connect, listen, transmit or receive request. See the <b>Cancel ()</b> function description.
<i>Poll</i>	Poll to receive incoming data and transmit outgoing TCP segments. See the <b>Poll ()</b> function description.

## Description

The **EFI\_TCP4\_PROTOCOL** defines the EFI TCPv4 Protocol child to be used by any network drivers or applications to send or receive data stream. It can either listen on a specified port as a service or actively connected to remote peer as a client. Each instance has its own independent settings, such as the routing table.

### BYTE ORDER NOTE

---

*In this document, all IPv4 addresses and incoming/outgoing packets are stored in network byte order. All other parameters in the functions and data structures that are defined in this document are stored in host byte order unless explicitly specified.*

---

## EFI\_TCP4\_PROTOCOL.GetModeData()

### Summary

Get the current operational status.

### Prototype

```
typedef
EFI_STATUS
(EFIAPI *EFI_TCP4_GET_MODE_DATA) (
    IN EFI_TCP4_PROTOCOL                *This,
    OUT EFI_TCP4_CONNECTION_STATE       *Tcp4State           OPTIONAL,
    OUT EFI_TCP4_CONFIG_DATA            *Tcp4ConfigData      OPTIONAL,
    OUT EFI_IPv4_MODE_DATA              *Ip4ModeData         OPTIONAL,
    OUT EFI_MANAGED_NETWORK_CONFIG_DATA *MnpConfigData       OPTIONAL,
    OUT EFI_SIMPLE_NETWORK_MODE         *SnpModeData         OPTIONAL
);
```

### Parameters

<i>This</i>	Pointer to the <b>EFI_TCP4_PROTOCOL</b> instance.
<i>Tcp4State</i>	Pointer to the buffer to receive the current TCP state. Type <b>EFI_TCP4_CONNECTION_STATE</b> is defined in “Related Definitions” below.
<i>Tcp4ConfigData</i>	Pointer to the buffer to receive the current TCP configuration. Type <b>EFI_TCP4_CONFIG_DATA</b> is defined in “Related Definitions” below.
<i>Ip4ModeData</i>	Pointer to the buffer to receive the current IPv4 configuration data used by the TCPv4 instance. Type <b>EFI_IP4_MODE_DATA</b> is defined in <b>EFI_IP4_PROTOCOL.GetModeData()</b> .
<i>MnpConfigData</i>	Pointer to the buffer to receive the current MNP configuration data used indirectly by the TCPv4 instance. Type <b>EFI_MANAGED_NETWORK_CONFIG_DATA</b> is defined in <b>EFI_MANAGED_NETWORK_PROTOCOL.GetModeData()</b> .
<i>SnpModeData</i>	Pointer to the buffer to receive the current SNP configuration data used indirectly by the TCPv4 instance. Type <b>EFI_SIMPLE_NETWORK_MODE</b> is defined in the <b>EFI_SIMPLE_NETWORK_PROTOCOL</b> .

## Description

The `GetModeData ()` function copies the current operational settings of this EFI TCPv4 Protocol instance into user-supplied buffers. This function can also be used to retrieve the operational setting of underlying drivers such as IPv4, MNP, or SNP.

## Related Definition

```
typedef struct {
    BOOLEAN                UseDefaultAddress;
    EFI_IPv4_ADDRESS       StationAddress;
    EFI_IPv4_ADDRESS       SubnetMask;
    UINT16                 StationPort;
    EFI_IPv4_ADDRESS       RemoteAddress;
    UINT16                 RemotePort;
    BOOLEAN                ActiveFlag;
} EFI_TCP4_ACCESS_POINT;
```

<i>UseDefaultAddress</i>	Set to <b>TRUE</b> to use the default IP address and default routing table. If the default IP address is not available yet, then the underlying EFI IPv4 Protocol driver will use <b>EFI_IP4_CONFIG_PROTOCOL</b> to retrieve the IP address and subnet information.
<i>StationAddress</i>	The local IP address assigned to this EFI TCPv4 Protocol instance. The EFI TCPv4 and EFI IPv4 Protocol drivers will only deliver incoming packets whose destination addresses exactly match the IP address. Not used when <i>UseDefaultAddress</i> is <b>TRUE</b> .
<i>SubnetMask</i>	The subnet mask associated with the station address. Not used when <i>UseDefaultAddress</i> is <b>TRUE</b> .
<i>StationPort</i>	The local port number to which this EFI TCPv4 Protocol instance is bound. If the instance doesn't care the local port number, set <i>StationPort</i> to zero to use an ephemeral port.
<i>RemoteAddress</i>	The remote IP address to which this EFI TCPv4 Protocol instance is connected. If <i>ActiveFlag</i> is <b>FALSE</b> (i.e. a passive TCPv4 instance), the instance only accepts connections from the <i>RemoteAddress</i> . If <i>ActiveFlag</i> is <b>TRUE</b> the instance is connected to the <i>RemoteAddress</i> , i.e., outgoing segments will be sent to this address and only segments from this address will be delivered to the application. When <i>ActiveFlag</i> is <b>FALSE</b> it can be set to zero and means that incoming connection request from any address will be accepted.

*RemotePort* The remote port to which this EFI TCPv4 Protocol instance is connects or connection request from which is accepted by this EFI TCPv4 Protocol instance. If *ActiveFlag* is **FALSE** it can be zero and means that incoming connection request from any port will be accepted. Its value can not be zero when *ActiveFlag* is **TRUE**.

*ActiveFlag* Set it to **TRUE** to initiate an active open. Set it to **FALSE** to initiate a passive open to act as a server.

```
typedef struct {
    UINTN    ReceiveBufferSize;
    UINTN    SendBufferSize;
    UINTN    MaxSynBackLog;
    UINTN    ConnectionTimeout;
    UINTN    DataRetries;
    UINTN    FinTimeout;
    UINTN    TimeWaitTimeout;
    UINTN    KeepAliveProbes;
    UINTN    KeepAliveTime;
    UINTN    KeepAliveInterval;
    BOOLEAN  EnableNagle;
    BOOLEAN  EnableTimeStamp;
    BOOLEAN  EnableWindowScaling;
    BOOLEAN  EnableSelectiveAck;
    BOOLEAN  EnablePathMtuDiscovery;
}EFI_TCP4_OPTION;
```

*ReceiveBufferSize* The size of the TCP receive buffer.

*SendBufferSize* The size of the TCP send buffer.

*MaxSynBackLog* The length of incoming connect request queue for a passive instance. When set to zero, the value is implementation specific.

*ConnectionTimeout* The maximum seconds a TCP instance will wait for before a TCP connection established. When set to zero, the value is implementation specific.

*DataRetries* The number of times TCP will attempt to retransmit a packet on an established connection. When set to zero, the value is implementation specific.

<i>FinTimeout</i>	How many seconds to wait in the FIN_WAIT_2 states for a final FIN flag before the TCP instance is closed. This timeout is in effective only if the application has called <b>Close ()</b> to disconnect the connection completely. It is also called FIN_WAIT_2 timer in other implementations. When set to zero, it should be disabled because the FIN_WAIT_2 timer itself is against the standard. The default value is 60.
<i>TimeWaitTimeout</i>	How many seconds to wait in TIME_WAIT state before the TCP instance is closed. The timer is disabled completely to provide a method to close the TCP connection quickly if it is set to zero. It is against the related RFC documents.
<i>KeepAliveProbes</i>	The maximum number of TCP keep-alive probes to send before giving up and resetting the connection if no response from the other end. Set to zero to disable keep-alive probe.
<i>KeepAliveTime</i>	The number of seconds a connection needs to be idle before TCP sends out periodical keep-alive probes. When set to zero, the value is implementation specific. It should be ignored if keep-alive probe is disabled.
<i>KeepAliveInterval</i>	The number of seconds between TCP keep-alive probes after the periodical keep-alive probe if no response. When set to zero, the value is implementation specific. It should be ignored if keep-alive probe is disabled.
<i>EnableNagle</i>	Set it to <b>TRUE</b> to enable the Nagle algorithm as defined in RFC896. Set it to <b>FALSE</b> to disable it.
<i>EnableTimeStamp</i>	Set it to <b>TRUE</b> to enable TCP timestamps option as defined in RFC1323. Set to <b>FALSE</b> to disable it.
<i>EnableWindowScaling</i>	Set it to <b>TRUE</b> to enable TCP window scale option as defined in RFC1323. Set it to <b>FALSE</b> to disable it.
<i>EnableSelectiveAck</i>	Set it to <b>TRUE</b> to enable selective acknowledge mechanism described in RFC 2018. Set it to <b>FALSE</b> to disable it. Implementation that supports SACK can optionally support DSAK as defined in RFC 2883.
<i>EnablePathMtudiscovery</i>	Set it to <b>TRUE</b> to enable path MTU discovery as defined in RFC 1191. Set to <b>FALSE</b> to disable it.

Option setting with digital value will be modified by driver if it is set out of the implementation specific range and an implementation specific default value will be set accordingly.

```

//*****
// EFI_TCP4_CONFIG_DATA
//*****
typedef struct {
    // Receiving Filters
    // I/O parameters
    UINT8                TypeOfService;
    UINT8                TimeToLive;

    // Access Point
    EFI_TCP4_ACCESS_POINT AccessPoint;

    // TCP Control Options
    EFI_TCP4_OPTION      * ControlOption;

} EFI_TCP4_CONFIG_DATA;

```

<i>TypeOfService</i>	<i>TypeOfService</i> field in transmitted IPv4 packets.
<i>TimeToLive</i>	<i>TimeToLive</i> field in transmitted IPv4 packets.
<i>AccessPoint</i>	Used to specify TCP communication end settings for a TCP instance.
<i>ControlOption</i>	Used to configure the advance TCP option for a connection. If set to <b>NULL</b> , implementation specific options for TCP connection will be used.

```

//*****
// EFI_TCP4_CONNECTION_STATE
//*****

typedef enum {
    Tcp4StateClosed           = 0,
    Tcp4StateListen           = 1,
    Tcp4StateSynSent          = 2,
    Tcp4StateSynReceived      = 3,
    Tcp4StateEstablished      = 4,
    Tcp4StateFinWait1         = 5,
    Tcp4StateFinWait2         = 6,
    Tcp4StateClosing          = 7,
    Tcp4StateTimeWait         = 8,
    Tcp4StateCloseWait        = 9,
    Tcp4StateLastAck          = 10
} EFI_TCP4_CONNECTION_STATE;

```

## Status Codes Returned

EFI_SUCCESS	The mode data was read.
EFI_NOT_STARTED	No configuration data is available because this instance hasn't been started.
EFI_INVALID_PARAMETER	<i>This</i> is <b>NULL</b> .

## EFI\_TCP4\_PROTOCOL.Configure()

### Summary

Initialize or brutally reset the operational parameters for this EFI TCPv4 instance.

### Prototype

```
typedef
EFI_STATUS
(EFI_API *EFI_TCP4_CONFIGURE) (
    IN EFI_TCP4_PROTOCOL      *This,
    IN EFI_TCP4_CONFIG_DATA  *TcpConfigData OPTIONAL
);
```

### Parameters

<i>This</i>	Pointer to the <b>EFI_TCP4_PROTOCOL</b> instance.
<i>TcpConfigData</i>	Pointer to the configure data to configure the instance.

### Description

The **Configure()** function does the following:

- Initialize this EFI TCPv4 instance, i.e., initialize the communication end setting, specify active open or passive open for an instance.
- Reset this TCPv4 instance brutally, i.e., cancel all pending asynchronous tokens, flush transmission and receiving buffer directly without informing the communication peer.

No other TCPv4 Protocol operation can be executed by this instance until it is configured properly. For an active TCP4 instance, after a proper configuration it may call **Connect()** to initiate the three-way handshake. For a passive TCP4 instance, its state will transit to **Tcp4StateListen** after configuration, and **Accept()** may be called to listen the incoming TCP connection request. If *TcpConfigData* is set to **NULL**, the instance is reset. Resetting process will be done brutally, the state machine will be set to **Tcp4StateClosed** directly, the receive queue and transmit queue will be flushed, and no traffic is allowed through this instance.



## Status Codes Returned

EFI_SUCCESS	The operational settings are set, changed, or reset successfully.
EFI_NO_MAPPING	When using a default address, configuration (through DHCP, BOOTP, RARP, etc.) is not finished yet.
EFI_INVALID_PARAMETER	<p>One or more following conditions are <b>TRUE</b>:</p> <ul style="list-style-type: none"> <li>• <i>This</i> is <b>NULL</b>.</li> <li>• <code>TcpConfigData</code></li> <li>• <code>-&gt;AccessPoint.StationAddress</code></li> <li>• isn't a valid unicast IPv4 address when <code>TcpConfigData</code></li> <li>• <code>-&gt;AccessPoint.UseDefaultAddress</code> is <b>FALSE</b>.</li> <li>• <code>TcpConfigData</code></li> <li>• <code>-&gt;AccessPoint.SubnetMask</code> isn't a valid IPv4 address mask when <code>TcpConfigData</code></li> <li>• <code>-&gt;AccessPoint.UseDefaultAddress</code> is <b>FALSE</b>. The subnet mask must be contiguous.</li> <li>• <code>TcpConfigData-&gt;AccessPoint.RemoteAddress</code> isn't a valid unicast IPv4 address.</li> <li>• <code>TcpConfigData</code></li> <li>• <code>-&gt;AccessPoint.RemoteAddress</code> is zero or <code>TcpConfigData</code></li> <li>• <code>-&gt;AccessPoint.RemotePort</code> is zero when <code>TcpConfigData</code></li> <li>• <code>-&gt;AccessPoint.ActiveFlag</code> is <b>TRUE</b>.</li> <li>• A same access point has been configured in other TCP instance properly.</li> </ul>
EFI_ACCESS_DENIED	Configuring TCP instance when it is configured without calling <b>Configure ()</b> with <b>NULL</b> to reset it.
EFI_DEVICE_ERROR	An unexpected network or system error occurred.
EFI_UNSUPPORTED	One or more of the control options are not supported in the implementation.
EFI_OUT_OF_RESOURCES	Could not allocate enough system resources when executing <b>Configure ()</b> .

## EFI\_TCP4\_PROTOCOL.Routes()

### Summary

Add or delete routing entries.

### Prototype

```
typedef
EFI_STATUS
(EFIAPI *EFI_TCP4_ROUTES) (
    IN EFI_TCP4_PROTOCOL *This,
    IN BOOLEAN DeleteRoute,
    IN EFI_IPv4_ADDRESS *SubnetAddress,
    IN EFI_IPv4_ADDRESS *SubnetMask,
    IN EFI_IPv4_ADDRESS *GatewayAddress
);
```

### Parameters

<i>This</i>	Pointer to the <b>EFI_TCP4_PROTOCOL</b> instance.
<i>DeleteRoute</i>	Set it to <b>TRUE</b> to delete this route from the routing table. Set it to <b>FALSE</b> to add this route to the routing table. <i>DestinationAddress</i> and <i>SubnetMask</i> are used as the keywords to search route entry.
<i>SubnetAddress</i>	The destination network.
<i>SubnetMask</i>	The subnet mask of the destination network.
<i>GatewayAddress</i>	The gateway address for this route. It must be on the same subnet with the station address unless a direct route is specified.

### Description

The **Routes ()** function adds or deletes a route from the instance's routing table.

The most specific route is selected by comparing the *SubnetAddress* with the destination IP address's arithmetical **AND** to the *SubnetMask*.

The default route is added with both *SubnetAddress* and *SubnetMask* set to 0.0.0.0. The default route matches all destination IP addresses if there is no more specific route.

Direct route is added with *GatewayAddress* set to 0.0.0.0. Packets are sent to the destination host if its address can be found in the Address Resolution Protocol (ARP) cache or it is on the local subnet. If the instance is configured to use default address, a direct route to the local network will be added automatically.

Each TCP instance has its own independent routing table. Instance that uses the default IP address will have a copy of the **EFI\_IP4\_CONFIG\_PROTOCOL**'s routing table. The copy will be updated automatically whenever the IP driver reconfigures its instance. As a result, the previous modification to the instance's local copy will be lost.

The priority of checking the route table is specific with IP implementation and every IP implementation must comply with RFC 1122.

## NOTE

---

*There is no way to set up routes to other network interface cards (NICs) because each NIC has its own independent network stack that shares information only through **EFI TCP4 variable**.*

---

## Status Codes Returned

EFI_SUCCESS	The operation completed successfully.
EFI_NOT_STARTED	The EFI TCPv4 Protocol instance has not been configured.
EFI_NO_MAPPING	When using a default address, configuration (DHCP, BOOTP, RARP, etc.) is not finished yet.
EFI_INVALID_PARAMETER	One or more of the following conditions is <b>TRUE</b> : <ul style="list-style-type: none"> <li>• <i>This</i> is <b>NULL</b>.</li> <li>• <i>SubnetAddress</i> is <b>NULL</b>.</li> <li>• <i>SubnetMask</i> is <b>NULL</b>.</li> <li>• <i>GatewayAddress</i> is <b>NULL</b>.</li> <li>• <i>*SubnetAddress</i> is not <b>NULL</b> a valid subnet address.</li> <li>• <i>*SubnetMask</i> is not a valid subnet mask.</li> <li>• <i>*GatewayAddress</i> is not a valid unicast IP address or it is not in the same subnet.</li> </ul>
EFI_OUT_OF_RESOURCES	Could not allocate enough resources to add the entry to the routing table.
EFI_NOT_FOUND	This route is not in the routing table.
EFI_ACCESS_DENIED	The route is already defined in the routing table.
EFI_UNSUPPORTED	The TCP driver does not support this operation.

## EFI\_TCP4\_PROTOCOL.Connect()

### Summary

Initiate a nonblocking TCP connection request for an active TCP instance.

### Prototype

```
typedef
EFI_STATUS
(EFI_API *EFI_TCP4_CONNECT) (
    IN EFI_TCP4_PROTOCOL           *This,
    IN EFI_TCP4_CONNECTION_TOKEN *ConnectionToken,
);
```

### Parameters

<i>This</i>	Pointer to the <b>EFI_TCP4_PROTOCOL</b> instance.
<i>ConnectionToken</i>	Pointer to the connection token to return when the TCP three way handshake finishes. Type <b>EFI_TCP4_CONNECTION_TOKEN</b> is defined in “Related Definition” below.

### Description

The **Connect()** function will initiate an active open to the remote peer configured in current TCP instance if it is configured active. If the connection succeeds or fails due to any error, the *ConnectionToken->CompletionToken.Event* will be signaled and *ConnectionToken->CompletionToken.Status* will be updated accordingly. This function can only be called for the TCP instance in **Tcp4StateClosed** state. The instance will transfer into **Tcp4StateSynSent** if the function returns **EFI\_SUCCESS**. If TCP three way handshake succeeds, its state will become **Tcp4StateEstablished**, otherwise, the state will return to **Tcp4StateClosed**.

### Related Definitions

```
/**
// *****
// EFI_TCP4_COMPLETION_TOKEN
// *****
typedef struct {
    EFI_EVENT           Event;
    EFI_STATUS          Status;
} EFI_TCP4_COMPLETION_TOKEN;
```

*Event* The *Event* to signal after request is finished and *Status* field is updated by the EFI TCPv4 Protocol driver. The type of *Event* must be **EVT\_NOTIFY\_SIGNAL**, and its Task Priority Level (TPL) must be lower than or equal to **TPL\_CALLBACK**.

*Status* The variable to receive the result of the completed operation.

The **EFI\_TCP4\_COMPLETION\_TOKEN** is used as a common header for various asynchronous tokens.

```
//*****  
// EFI_TCP4_CONNECTION_TOKEN  
//*****  
typedef struct {  
    EFI_TCP4_COMPLETION_TOKEN      CompletionToken;  
} EFI_TCP4_CONNECTION_TOKEN;
```

*Status* The *Status* in the *CompletionToken* will be set to one of the following values if the active open succeeds or an unexpected error happens:

**EFI\_SUCCESS** The active open succeeds and the instance is in **Tcp4StateEstablished**.

**EFI\_CONNECTION\_RESET**  
The connect fails because the connection is reset either by instance itself or communication peer.

**EFI\_ABORTED** The active open was aborted.

**EFI\_TIMEOUT** The connection establishment timer expired and no more specific information is available.

**EFI\_NETWORK\_UNREACHABLE**  
The active open fails because an ICMP network unreachable error is received.

**EFI\_HOST\_UNREACHABLE**  
The active open fails because an ICMP host unreachable error is received.

**EFI\_PROTOCOL\_UNREACHABLE**  
The active open fails because an ICMP protocol unreachable error is received.

**EFI\_PORT\_UNREACHABLE**  
The connection establishment timer times out and an ICMP port unreachable error is received.

**EFI\_ICMP\_ERROR** The connection establishment timer timeout and some other ICMP error is received.

## EFI\_DEVICE\_ERROR

An unexpected system or network error occurred.

### Status Codes Returned

EFI_SUCCESS	The connection request is successfully initiated and the state of this TCPv4 instance has been changed to <b>Tcp4StateSynSent</b> .
EFI_NOT_STARTED	This EFI TCPv4 Protocol instance has not been configured.
EFI_ACCESS_DENIED	One or more of the following conditions are <b>TRUE</b> : <ul style="list-style-type: none"><li>• This instance is not configured as an active one.</li><li>• This instance is not in <code>Tcp4StateClosed</code> state.</li></ul>
EFI_INVALID_PARAMETER	One or more of the following are <b>TRUE</b> : <ul style="list-style-type: none"><li>• <i>This</i> is <b>NULL</b>.</li><li>• <i>ConnectionToken</i> is <b>NULL</b>.</li><li>• <i>ConnectionToken-&gt;CompletionToken.Event</i> is <b>NULL</b>.</li></ul>
EFI_OUT_OF_RESOURCES	The driver can't allocate enough resource to initiate the active open.
EFI_DEVICE_ERROR	An unexpected system or network error occurred.

## EFI\_TCP4\_PROTOCOL.Accept()

### Summary

Listen on the passive instance to accept an incoming connection request. This is a nonblocking operation.

### Prototype

```
typedef
EFI_STATUS
(EFI_API *EFI_TCP4_ACCEPT) (
    IN EFI_TCP4_PROTOCOL           *This,
    IN EFI_TCP4_LISTEN_TOKEN      *ListenToken
);
```

### Parameters

*This* Pointer to the **EFI\_TCP4\_PROTOCOL** instance.

*ListenToken* Pointer to the listen token to return when operation finishes. Type **EFI\_TCP4\_LISTEN\_TOKEN** is defined in “Related Definition” below.

### Related Definitions

```
/**
// *****
// EFI_TCP4_LISTEN_TOKEN
// *****
typedef struct {
    EFI_TCP4_COMPLETION_TOKEN      CompletionToken;
    EFI_HANDLE                     NewChildHandle;
} EFI_TCP4_LISTEN_TOKEN;
```

*Status* The *Status* in *CompletionToken* will be set to the following value if accept finishes:

**EFI\_SUCCESS:** A remote peer has successfully established a connection to *this* instance. A new TCP instance has also been created for the connection.

**EFI\_CONNECTION\_RESET:** The accept fails because the connection is reset either by instance itself or communication peer.

**EFI\_ABORTED:** The accept request has been aborted.

*NewChildHandle* The new TCP instance handle created for the established connection.

## Description

The **Accept()** function initiates an asynchronous accept request to wait for an incoming connection on the passive TCP instance. If a remote peer successfully establishes a connection with this instance, a new TCP instance will be created and its handle will be returned in *ListenToken->NewChildHandle*. The newly created instance is configured by inheriting the passive instance's configuration and is ready for use upon return. The instance is in the **Tcp4StateEstablished** state.

The *ListenToken->CompletionToken.Event* will be signaled when a new connection is accepted, user aborts the listen or connection is reset.

This function only can be called when current TCP instance is in **Tcp4StateListen** state.

## Status Codes Returned

EFI_SUCCESS	The listen token has been queued successfully.
EFI_NOT_STARTED	This EFI TCPv4 Protocol instance has not been configured.
EFI_ACCESS_DENIED	One or more of the following are <b>TRUE</b> : <ul style="list-style-type: none"><li>• This instance is not a passive instance.</li><li>• This instance is not in Tcp4StateListen state.</li><li>• The same listen token has already existed in the listen token queue of this TCP instance.</li></ul>
EFI_INVALID_PARAMETER	One or more of the following are <b>TRUE</b> : <ul style="list-style-type: none"><li>• <i>This</i> is <b>NULL</b>.</li><li>• <i>ListenToken</i> is <b>NULL</b>.</li><li>• <i>ListenToken-&gt;CompletionToken.Event</i> is <b>NULL</b>.</li></ul>
EFI_OUT_OF_RESOURCES	Could not allocate enough resource to finish the operation.
EFI_DEVICE_ERROR	Any unexpected and not belonged to above category error.



## EFI\_TCP4\_PROTOCOL.Transmit()

### Summary

Queues outgoing data into the transmit queue.

### Prototype

```
typedef
EFI_STATUS
(EFI_API *EFI_TCP4_TRANSMIT) (
    IN EFI_TCP4_PROTOCOL           *This,
    IN EFI_TCP4_IO_TOKEN          *Token
);
```

### Parameters

*This* Pointer to the **EFI\_TCP4\_PROTOCOL** instance.

*Token* Pointer to the completion token to queue to the transmit queue. Type **EFI\_TCP4\_IO\_TOKEN** is defined in “Related Definitions” below.

### Description

The **Transmit()** function queues a sending request to this TCPv4 instance along with the user data. The status of the token is updated and the event in the token will be signaled once the data is sent out or some error occurs.

### Related Definitions

```
/**
// *****
// EFI_TCP4_IO_TOKEN
// *****
typedef struct {
    EFI_TCP4_COMPLETION_TOKEN          CompletionToken;
    union {
        EFI_TCP4_RECEIVE_DATA          *RxData;
        EFI_TCP4_TRANSMIT_DATA        *TxData;
    }
} EFI_TCP4_IO_TOKEN;
```

*Status* When transmission finishes or meets any unexpected error it will be set to one of the following values:

**EFI\_SUCCESS:** The receiving or transmission operation completes successfully.

**EFI\_CONNECTION\_RESET:**

The receiving or transmission operation fails because this connection is reset either by instance itself or communication peer.

**EFI\_ABORTED:** The receiving or transmission is aborted.

**EFI\_TIMEOUT:** The transmission timer expires and no more specific information is available.

**EFI\_NETWORK\_UNREACHABLE:**

The transmission fails because an ICMP network unreachable error is received.

**EFI\_HOST\_UNREACHABLE:**

The transmission fails because an ICMP host unreachable error is received.

**EFI\_PROTOCOL\_UNREACHABLE:**

The transmission fails because an ICMP protocol unreachable error is received.

**EFI\_PORT\_UNREACHABLE:**

The transmission fails and an ICMP port unreachable error is received.

**EFI\_ICMP\_ERROR:**

The transmission fails and some other ICMP error is received.

**EFI\_DEVICE\_ERROR:**

An unexpected system or network error occurs.

*RxData* When this token is used for receiving, *RxData* is a pointer to **EFI\_TCP4\_RECEIVE\_DATA**. Type **EFI\_TCP4\_RECEIVE\_DATA** is defined below.

*TxData* When this token is used for transmitting, *TxData* is a pointer to **EFI\_TCP4\_TRANSMIT\_DATA**. Type **EFI\_TCP4\_TRANSMIT\_DATA** is defined below.

The **EFI\_TCP4\_IO\_TOKEN** structures are used for both transmit and receive operations.

When used for transmitting, the *CompletionToken.Event* and *TxData* fields must be filled in by the user. After the transmit operation completes, the *CompletionToken.Status* field is updated by the instance and the *Event* is signaled.

When used for receiving, the *CompletionToken.Event* and *RxData* fields must be filled in by the user. After a receive operation completes, *RxData* and *Status* are updated by the instance and the *Event* is signaled.

```

//*****
// EFI_TCP4_RECEIVE_DATA
//*****
typedef struct {
    BOOLEAN                UrgentFlag;
    IN OUT UINTN           DataLength;
    UINTN                  FragmentCount;
    EFI_TCP4_FRAGMENT_DATA FragmentTable[1];
} EFI_TCP4_RECEIVE_DATA;

```

*UrgentFlag* Whether those data are urgent. When this flag is set, the instance is in urgent mode. The implementations of this specification should follow RFC793 to process urgent data, and should NOT mix the data across the urgent point in one token.

*DataLength* When calling **Receive ()** function, it is the byte counts of all *Fragmentbuffer* in *FragmentTable* allocated by user. When the token is signaled by TCPv4 driver it is the length of received data in the fragments.

*FragmentCount* Number of fragments.

*FragmentTable* An array of fragment descriptors. Type **EFI\_TCP4\_FRAGMENT\_DATA** is defined below.

When TCPv4 driver wants to deliver received data to the application, it will pick up the first queued receiving token, update its *Token->Packet.RxData* then signal the *Token->CompletionToken.Event*.

The *FragmentBuffers* in *FragmentTable* are allocated by the application when calling **Receive ()** function and received data will be copied to those buffers by the driver. *FragmentTable* may contain multiple buffers that are NOT in the continuous memory locations. The application should combine those buffers in the *FragmentTable* to process data if necessary.

```

//*****
// EFI_TCP4_FRAGMENT_DATA
//*****
typedef struct {
    UINTN                FragmentLength;
    VOID                 *FragmentBuffer;
} EFI_TCP4_FRAGMENT_DATA;

```

*FragmentLength* Length of data buffer in the fragment.

*FragmentBuffer* Pointer to the data buffer in the fragment.

**EFI\_TCP4\_FRAGMENT\_DATA** allows multiple receive or transmit buffers to be specified. The purpose of this structure is to provide scattered read and write.

```

//*****
// EFI_TCP4_TRANSMIT_DATA
//*****
typedef struct {
    BOOLEAN          Push;
    BOOLEAN          Urgent;
    UINTN            DataLength;
    UINTN            FragmentCount;
    EFI_TCP4_FRAGMENT_DATA FragmentTable[1];
} EFI_TCP4_TRANSMIT_DATA;

```

*Push* If **TRUE**, data must be transmitted promptly, and the PUSH bit in the last TCP segment created will be set. If **FALSE**, data transmission may be delay to combine with data from subsequent **Transmit()**s for efficiency.

*Urgent* The data in the fragment table are urgent and urgent point is in effect if **TRUE**. Otherwise those data are NOT considered urgent.

*DataLength* Length of the data in the fragments.

*FragmentCount* Number of fragments.

*FragmentTable* A array of fragment descriptors. Type **EFI\_TCP4\_FRAGMENT\_DATA** is defined above.

The EFI TCPv4 Protocol user must fill this data structure before sending a packet. The packet may contain multiple buffers in non-continuous memory locations.

## Status Codes Returned

EFI_SUCCESS	The data has been queued for transmission.
EFI_NOT_STARTED	This EFI TCPv4 Protocol instance has not been configured.
EFI_NO_MAPPING	When using a default address, configuration (DHCP, BOOTP, RARP, etc.) is not finished yet.

EFI_INVALID_PARAMETER	<p>One or more of the following are <b>TRUE</b>:</p> <ul style="list-style-type: none"> <li>• <i>This</i> is <b>NULL</b>.</li> <li>• <i>Token</i> is <b>NULL</b>.</li> <li>• <i>Token-&gt;CompletionToken.Event</i> is <b>NULL</b>.</li> <li>• <i>Token-&gt;Packet.TxData</i> is <b>NULL</b>.</li> <li>• <i>Token-&gt;Packet.FragmentCount</i> is zero.</li> <li>• <i>Token-&gt;Packet.DataLength</i> is not equal to the sum of fragment lengths.</li> </ul>
EFI_ACCESS_DENIED	<p>One or more of the following conditions is <b>TRUE</b>:</p> <ul style="list-style-type: none"> <li>• A transmit completion token with the same <i>Token-&gt;CompletionToken.Event</i> was already in the transmission queue.</li> <li>• The current instance is in <code>Tcp4StateClosed</code> state.</li> <li>• The current instance is a passive one and it is in <code>Tcp4StateListen</code> state.</li> <li>• User has called <code>Close()</code> to disconnect this connection.</li> </ul>
EFI_NOT_READY	<p>The completion token could not be queued because the transmit queue is full.</p>
EFI_OUT_OF_RESOURCES	<p>Could not queue the transmit data because of resource shortage.</p>
EFI_NETWORK_UNREACHABLE	<p>There is no route to the destination network or address.</p>

## EFI\_TCP4\_PROTOCOL.Receive()

### Summary

Places an asynchronous receive request into the receiving queue.

### Prototype

```
typedef
EFI_STATUS
(EFI_API *EFI_TCP4_RECEIVE) (
    IN EFI_TCP4_PROTOCOL          *This,
    IN EFI_TCP4_IO_TOKEN         *Token
);
```

### Parameters

*This* Pointer to the **EFI\_TCP4\_PROTOCOL** instance.

*Token* Pointer to a token that is associated with the receive data descriptor. Type **EFI\_TCP4\_IO\_TOKEN** is defined in **EFI\_TCP4\_PROTOCOL.Transmit()**.

### Description

The **Receive()** function places a completion token into the receive packet queue. This function is always asynchronous. The caller must allocate the *Token->CompletionToken.Event* and the *FragmentBuffer* used to receive data. He also must fill the *DataLength* which represents the whole length of all *FragmentBuffer*. When the receive operation completes, the EFI TCPv4 Protocol driver updates the *Token->CompletionToken.Status* and *Token->Packet.RxData* fields and the *Token->CompletionToken.Event* is signaled. If got data the data and its length will be copy into the *FragmentTable*, in the same time the full length of received data will be recorded in the *DataLength* fields. Providing a proper notification function and context for the event will enable the user to receive the notification and receiving status. That notification function is guaranteed to not be re-entered.

### Status Codes Returned

EFI_SUCCESS	The receive completion token was cached.
EFI_NOT_STARTED	This EFI TCPv4 Protocol instance has not been configured.
EFI_NO_MAPPING	When using a default address, configuration (DHCP, BOOTP, RARP, etc.) is not finished yet.

EFI_INVALID_PARAMETER	<p>One or more of the following conditions is <b>TRUE</b>:</p> <ul style="list-style-type: none"> <li>• <i>This</i> is <b>NULL</b>.</li> <li>• <i>Token</i> is <b>NULL</b>.</li> <li>• <i>Token-&gt;CompletionToken.Event</i> is <b>NULL</b>.</li> <li>• <i>Token-&gt;Packet.RxData</i> is <b>NULL</b>.</li> <li>• <i>Token-&gt;Packet.RxData-&gt;DataLength</i> is 0.</li> <li>• The <i>Token-&gt;Packet.RxData-&gt;DataLength</i> is not the sum of all <i>FragmentBuffer</i> length in <i>FragmentTable</i>.</li> </ul>
EFI_OUT_OF_RESOURCES	The receive completion token could not be queued due to a lack of system resources (usually memory).
EFI_DEVICE_ERROR	<p>An unexpected system or network error occurred.</p> <p>The EFI TCPv4 Protocol instance has been reset to startup defaults.</p>
EFI_ACCESS_DENIED	<p>One or more of the following conditions is <b>TRUE</b>:</p> <ul style="list-style-type: none"> <li>• A receive completion token with the same <i>Token-&gt;CompletionToken.Event</i> was already in the receive queue.</li> <li>• The current instance is in <i>Tcp4StateClosed</i> state.</li> <li>• The current instance is a passive one and it is in <i>Tcp4StateListen</i> state.</li> <li>• User has called <i>Close()</i> to disconnect this connection.</li> </ul>
EFI_CONNECTION_FIN	<ul style="list-style-type: none"> <li>• The communication peer has closed the connection and there is no any buffered data in the receive buffer of this instance.</li> </ul>
EFI_NOT_READY	The receive request could not be queued because the receive queue is full.

## EFI\_TCP4\_PROTOCOL.Close()

### Summary

Disconnecting a TCP connection gracefully or reset a TCP connection. This function is a nonblocking operation.

### Prototype

```
typedef
EFI_STATUS
(EFIAPI *EFI_TCP4_CLOSE) (
    IN EFI_TCP4_PROTOCOL          *This,
    IN EFI_TCP4_CLOSE_TOKEN      *CloseToken
);
```

### Parameters

*This* Pointer to the **EFI\_TCP4\_PROTOCOL** instance.

*CloseToken* Pointer to the close token to return when operation finishes. Type **EFI\_TCP4\_CLOSE\_TOKEN** is defined in “Related Definition” below.

### Related Definitions

```
/**
// *****
// EFI_TCP4_CLOSE_TOKEN
// *****
typedef struct {
    EFI_TCP4_COMPLETION_TOKEN    CompletionToken;
    BOOLEAN                      AbortOnClose;
} EFI_TCP4_CLOSE_TOKEN;
```

*Status* When close finishes or meets any unexpected error it will be set to one of the following values:

**EFI\_SUCCESS**: The close operation completes successfully.

**EFI\_ABORTED**: User called configure with NULL without close stopping.

*AbortOnClose* Abort the TCP connection on close instead of the standard TCP close process when it is set to **TRUE**. This option can be used to satisfy a fast disconnect.



## Description

Initiate an asynchronous close token to TCP driver. After **Close ()** is called, any buffered transmission data will be sent by TCP driver and the current instance will have a graceful close working flow described as RFC 793 if *AbortOnClose* is set to **FALSE**, otherwise, a reset packet will be sent by TCP driver to fast disconnect this connection. When the close operation completes successfully the TCP instance is in **Tcp4StateClosed** state, all pending asynchronous operation is signaled and any buffers used for TCP network traffic is flushed.

## Status Codes Returned

EFI_SUCCESS	The <b>Close ()</b> is called successfully.
EFI_NOT_STARTED	This EFI TCPv4 Protocol instance has not been configured.
EFI_ACCESS_DENIED	One or more of the following are <b>TRUE</b> : <ul style="list-style-type: none"><li>• <i>Configure ()</i> has been called with <i>TcpConfigData</i> set to <b>NULL</b> and this function has not returned.</li><li>• Previous <i>Close ()</i> call on this instance has not finished.</li></ul>
EFI_INVALID_PARAMETER	One or more of the following are <b>TRUE</b> : <ul style="list-style-type: none"><li>• <i>This</i> is <b>NULL</b>.</li><li>• <i>CloseToken</i> is <b>NULL</b>.</li><li>• <i>CloseToken-&gt;CompletionToken.Event</i> is <b>NULL</b>.</li></ul>
EFI_OUT_OF_RESOURCES	Could not allocate enough resource to finish the operation.
EFI_DEVICE_ERROR	Any unexpected and not belonged to above category error.

## EFI\_TCP4\_PROTOCOL.Cancel()

### Summary

Abort an asynchronous connection, listen, transmission or receive request.

### Prototype

```
typedef
EFI_STATUS
(EFIAPI *EFI_TCP4_CANCEL) (
    IN EFI_TCP4_PROTOCOL          *This,
    IN EFI_TCP4_COMPLETION_TOKEN *Token    OPTIONAL
);
```

### Parameters

*This* Pointer to the **EFI\_TCP4\_PROTOCOL** instance.

*Token* Pointer to a token that has been issued by **EFI\_TCP4\_PROTOCOL.Connect()**, **EFI\_TCP4\_PROTOCOL.Accept()**, **EFI\_TCP4\_PROTOCOL.Transmit()** or **EFI\_TCP4\_PROTOCOL.Receive()**. If **NULL**, all pending tokens issued by above four functions will be aborted. Type **EFI\_TCP4\_COMPLETION\_TOKEN** is defined in **EFI\_TCP4\_PROTOCOL.Connect()**.

### Description

The **Cancel()** function aborts a pending connection, listen, transmit or receive request. If *Token* is not **NULL** and the token is in the connection, listen, transmission or receive queue when it is being cancelled, its *Token->Status* will be set to **EFI\_ABORTED** and then *Token->Event* will be signaled. If the token is not in one of the queues, which usually means that the asynchronous operation has completed, **EFI\_NOT\_FOUND** is returned. If *Token* is **NULL** all asynchronous token issued by **Connect()**, **Accept()**, **Transmit()** and **Receive()** will be aborted.

### Status Codes Returned

EFI_SUCCESS	The asynchronous I/O request is aborted and <i>Token-&gt;Event</i> is signaled.
EFI_INVALID_PARAMETER	<i>This</i> is <b>NULL</b> .
EFI_NOT_STARTED	This instance hasn't been configured.
EFI_NO_MAPPING	When using the default address, configuration (DHCP, BOOTP, RARP, etc.) hasn't finished yet.
EFI_NOT_FOUND	The asynchronous I/O request isn't found in the transmission or receive queue. It has either completed or wasn't issued by <b>Transmit()</b> and <b>Receive()</b> .

## EFI\_TCP4\_PROTOCOL.Poll()

### Summary

Poll to receive incoming data and transmit outgoing segments.

### Prototype

```
typedef
EFI_STATUS
(EFI_API *EFI_TCP4_POLL) (
    IN EFI_TCP4_PROTOCOL          *This
);
```

### Parameters

*This* Pointer to the **EFI\_TCP4\_PROTOCOL** instance.

### Description

The **Poll()** function increases the rate that data is moved between the network and application and can be called when the TCP instance is created successfully. Its use is optional.

In some implementations, the periodical timer in the MNP driver may not poll the underlying communications device fast enough to avoid drop packets. Drivers and applications that are experiencing packet loss should try calling the **Poll()** function in a high frequency.

### Status Codes Returned

EFI_SUCCESS	Incoming or outgoing data was processed.
EFI_INVALID_PARAMETER	<i>This</i> is <b>NULL</b> .
EFI_DEVICE_ERROR	An unexpected system or network error occurred.
EFI_NOT_READY	No incoming or outgoing data is processed.
EFI_TIMEOUT	Data was dropped out of the transmission or receive queue. Consider increasing the polling rate.

## 23.2 EFI IPv4 Protocol

This section defines the EFI IPv4 (Internet Protocol version 4) Protocol interface. It is split into the following three main sections:

- EFI IPv4 Service Binding Protocol
- EFI IPv4 Variable
- EFI IPv4 Protocol

The EFI IPv4 Protocol provides basic network IPv4 packet I/O services, which includes support for a subset of the Internet Control Message Protocol (ICMP) and may include support for the Internet Group Management Protocol (IGMP).

### EFI\_IP4\_SERVICE\_BINDING\_PROTOCOL

#### Summary

The EFI IPv4 Service Binding Protocol is used to locate communication devices that are supported by an EFI IPv4 Protocol driver and to create and destroy instances of the EFI IPv4 Protocol child protocol driver that can use the underlying communications device.

#### GUID

```
#define EFI_IP4_SERVICE_BINDING_PROTOCOL_GUID \
    {0xc51711e7, 0xb4bf, 0x404a, 0xbf8, 0x0a, 0x04, 0x8e, 0xf1, 0xff, 0xe4}
```

#### Description

A network application that requires basic IPv4 I/O services can use one of the protocol handler services, such as **BS->LocateHandleBuffer()**, to search for devices that publish an EFI IPv4 Service Binding Protocol GUID. Each device with a published EFI IPv4 Service Binding Protocol GUID supports the EFI IPv4 Protocol and may be available for use.

After a successful call to the **EFI\_IP4\_SERVICE\_BINDING\_PROTOCOL.CreateChild()** function, the newly created child EFI IPv4 Protocol driver is in an unconfigured state; it is not ready to send and receive data packets.

Before a network application terminates execution, every successful call to the **EFI\_IP4\_SERVICE\_BINDING\_PROTOCOL.CreateChild()** function must be matched with a call to the **EFI\_IP4\_SERVICE\_BINDING\_PROTOCOL.DestroyChild()** function.

## EFI IPv4 Variable

### Summary

An accurate list of all of the IPv4 addresses and subnet masks that are currently being used must be maintained for each communications device. This list is stored as a volatile variable so it can be publicly read.

### Vendor GUID

```
gEfiIp4ServiceBindingProtocolGuid
```

### Variable Name

```
CHAR16 *MacAddress;
```

### Attribute

```
EFI_VARIABLE_BOOTSERVICE_ACCESS
```

### Description

*MacAddress* is the string of printed hexadecimal value for each byte in hardware address (of type **EFI\_MAC\_ADDRESS**) of the communications device. No 0x or h is included in each hex value. The length of *MacAddress* is determined by the hardware address length. For example: if the hardware address is 00-07-E9-51-60-D7, and address length is 6 bytes, then *MacAddress* is `"0007E95160D7"`.

### Related Definitions

```
/** *****  
// EFI_IP4_VARIABLE_DATA_  
/** *****  
typedef struct {  
    EFI_GUID                ProtocolGuid;  
    EFI_HANDLE              DriverHandle;  
    UINT32                  AddressCount;  
    EFI_IP4_ADDRESS_PAIR    AddressPairs[1];  
} EFI_IP4_VARIABLE_DATA;
```

*DriverHandle*                      The handle of the driver that creates this entry.

*AddressCount*                    The number of IPv4 address and subnet mask pairs that follow this data structure.

*AddressPairs*                    List of IPv4 address and subnet mask pairs that are currently in use. Type **EFI\_IP4\_ADDRESS\_PAIR** is defined below.

```

//*****
// EFI_IP4_ADDRESS_PAIR
//*****
typedef struct{
    EFI_IPv4_ADDRESS    Ip4Address;
    EFI_IPv4_ADDRESS    SubnetMask;
} EFI_IP4_ADDRESS_PAIR;

```

<i>Ip4Address</i>	IPv4 address in network byte order.
<i>SubnetMask</i>	Subnet mask in network byte order.

## EFI\_IP4\_PROTOCOL

### Summary

The EFI IPv4 Protocol implements a simple packet-oriented interface that can be used by drivers, daemons, and applications to transmit and receive network packets.

### GUID

```

#define EFI_IP4_PROTOCOL_GUID    \
    {0x41d94cd2,0x35b6,0x455a,0x8258,0xd4,0xe5,0x13,0x34,0xaa,0xdd}

```

### Protocol Interface Structure

```

typedef struct _EFI_IP4_PROTOCOL {
    EFI_IP4_GET_MODE_DATA    GetModeData;
    EFI_IP4_CONFIGURE        Configure;
    EFI_IP4_GROUPS           Groups;
    EFI_IP4_ROUTES           Routes;
    EFI_IP4_TRANSMIT         Transmit;
    EFI_IP4_RECEIVE         Receive;
    EFI_IP4_CANCEL           Cancel;
    EFI_IP4_POLL             Poll;
} EFI_IP4_PROTOCOL;

```

## Parameters

<i>GetModeData</i>	Gets the current operational settings for this instance of the EFI IPv4 Protocol driver. See the <b>GetModeData ()</b> function description.
<i>Configure</i>	Changes or resets the operational settings for the EFI IPv4 Protocol. See the <b>Configure ()</b> function description.
<i>Groups</i>	Joins and leaves multicast groups. See the <b>Groups ()</b> function description.
<i>Routes</i>	Adds and deletes routing table entries. See the <b>Routes ()</b> function description.
<i>Transmit</i>	Places outgoing data packets into the transmit queue. See the <b>Transmit ()</b> function description.
<i>Receive</i>	Places a receiving request into the receiving queue. See the <b>Receive ()</b> function description.
<i>Cancel</i>	Aborts a pending transmit or receive request. See the <b>Cancel ()</b> function description.
<i>Poll</i>	Polls for incoming data packets and processes outgoing data packets. See the <b>Poll ()</b> function description.

## Description

The **EFI\_IP4\_PROTOCOL** defines a set of simple IPv4, ICMPv4, and IGMPv4 services that can be used by any network protocol driver, daemon, or application to transmit and receive IPv4 data packets.

### BYTE ORDER NOTE

---

*All the IPv4 addresses that are described in **EFI\_IP4\_PROTOCOL** are stored in network byte order. Both incoming and outgoing IP packets are also in network byte order. All other parameters that are defined in functions or data structures are stored in host byte order.*

---

## EFI\_IP4\_PROTOCOL.GetModeData()

### Summary

Gets the current operational settings for this instance of the EFI IPv4 Protocol driver.

### Prototype

```
typedef
EFI_STATUS
(EFIAPI *EFI_IP4_GET_MODE_DATA) (
    IN EFI_IP4_PROTOCOL                *This,
    OUT EFI_IP4_MODE_DATA              *Ip4ModeData      OPTIONAL,
    OUT EFI_MANAGED_NETWORK_CONFIG_DATA *MnpConfigData  OPTIONAL,
    OUT EFI_SIMPLE_NETWORK_MODE        *SnpModeData     OPTIONAL
);
```

### Parameters

<i>This</i>	Pointer to the <b>EFI_IP4_PROTOCOL</b> instance.
<i>Ip4ModeData</i>	Pointer to the EFI IPv4 Protocol mode data structure. Type <b>EFI_IP4_MODE_DATA</b> is defined in “Related Definitions” below.
<i>MnpConfigData</i>	Pointer to the managed network configuration data structure. Type <b>EFI_MANAGED_NETWORK_CONFIG_DATA</b> is defined in <b>EFI_MANAGED_NETWORK_PROTOCOL.GetModeData()</b> .
<i>SnpData</i>	Pointer to the simple network mode data structure. Type <b>EFI_SIMPLE_NETWORK_MODE</b> is defined in the <b>EFI_SIMPLE_NETWORK_PROTOCOL</b> .

### Description

The **GetModeData()** function returns the current operational mode data for this driver instance. The data fields in **EFI\_IP4\_MODE\_DATA** are read only. This function is used optionally to retrieve the operational mode data of underlying networks or drivers.



## Related Definitions

```
/** *****  
// EFI_IP4_MODE_DATA  
/** *****  
typedef struct {  
    BOOLEAN                IsStarted;  
    EFI_IP4_CONFIG_DATA    ConfigData;  
    BOOLEAN                IsConfigured;  
    UINT32                 GroupCount;  
    EFI_IPv4_ADDRESS       *GroupTable;  
    UINT32                 RouteCount;  
    EFI_IP4_ROUTE_TABLE    *RouteTable;  
    UINT32                 IcmpTypeCount;  
    EFI_IP4_ICMP_TYPE       *IcmpTypeList;  
} EFI_IP4_MODE_DATA;
```

<i>IsStarted</i>	Set to <b>TRUE</b> after this EFI IPv4 Protocol instance is started. All other fields in this structure are undefined until this field is <b>TRUE</b> . Set to <b>FALSE</b> when the EFI IPv4 Protocol instance is stopped.
<i>ConfigData</i>	Current configuration settings. Undefined until <i>IsStarted</i> is <b>TRUE</b> . Type <b>EFI_IP4_CONFIG_DATA</b> is defined below.
<i>IsConfigured</i>	Set to <b>TRUE</b> when the EFI IPv4 Protocol driver is configured. The driver is configured when it has a station address and subnet mask. Set to <b>FALSE</b> when the EFI IPv4 Protocol driver is not configured.
<i>GroupCount</i>	Number of joined multicast groups. Undefined until <i>IsConfigured</i> is <b>TRUE</b> .
<i>GroupTable</i>	List of joined multicast group addresses. Undefined until <i>IsConfigured</i> is <b>TRUE</b> .
<i>RouteCount</i>	Number of entries in the routing table. Undefined until <i>IsConfigured</i> is <b>TRUE</b> .
<i>RouteTable</i>	Routing table entries. Undefined until <i>IsConfigured</i> is <b>TRUE</b> . Type <b>EFI_IP4_ROUTE_TABLE</b> is defined below.
<i>IcmpTypeCount</i>	Number of entries in the supported ICMP types list.
<i>IcmpTypeList</i>	Array of ICMP types and codes that are supported by this EFI IPv4 Protocol driver. Type <b>EFI_IP4_ICMP_TYPE</b> is defined below.

The `EFI_IP4_MODE_DATA` structure describes the operational state of this IPv4 interface.

```
/** *****  
// EFI_IP4_CONFIG_DATA  
/** *****  
typedef struct {  
    UINT8           DefaultProtocol;  
    BOOLEAN         AcceptAnyProtocol;  
    BOOLEAN         AcceptIcmpErrors;  
    BOOLEAN         AcceptBroadcast;  
    BOOLEAN         AcceptPromiscuous;  
    BOOLEAN         UseDefaultAddress;  
    EFI_IPv4_ADDRESS StationAddress;  
    EFI_IPv4_ADDRESS SubnetMask;  
    UINT8          TypeOfService;  
    UINT8          TimeToLive;  
    BOOLEAN        DoNotFragment;  
    BOOLEAN        RawData;  
    UINT32         ReceiveTimeout;  
    UINT32         TransmitTimeout;  
} EFI_IP4_CONFIG_DATA;
```

*DefaultProtocol* The default IPv4 protocol packets to send and receive. Ignored when *AcceptPromiscuous* is **TRUE**. An updated list of protocol numbers can be found at <http://www.iana.org/assignments/protocol-numbers>.

*AcceptAnyProtocol* Set to **TRUE** to receive all IPv4 packets that get through the receive filters.  
Set to **FALSE** to receive only the *DefaultProtocol* IPv4 packets that get through the receive filters. Ignored when *AcceptPromiscuous* is **TRUE**.

*AcceptIcmpErrors* Set to **TRUE** to receive ICMP error report packets. Ignored when *AcceptPromiscuous* or *AcceptAnyProtocol* is **TRUE**.

*AcceptBroadcast* Set to **TRUE** to receive broadcast IPv4 packets. Ignored when *AcceptPromiscuous* is **TRUE**.  
Set to **FALSE** to stop receiving broadcast IPv4 packets.

*AcceptPromiscuous* Set to **TRUE** to receive all IPv4 packets that are sent to any hardware address or any protocol address.  
Set to **FALSE** to stop receiving all promiscuous IPv4 packets.

<i>UseDefaultAddress</i>	Set to <b>TRUE</b> to use the default IPv4 address and default routing table. If the default IPv4 address is not available yet, then the EFI IPv4 Protocol driver will use <b>EFI_IP4_CONFIG_PROTOCOL</b> to retrieve the IPv4 address and subnet information. (This field can be set and changed only when the EFI IPv4 driver is transitioning from the stopped to the started states.)
<i>StationAddress</i>	The station IPv4 address that will be assigned to this EFI IPv4 Protocol instance. The EFI IPv4 Protocol driver will deliver only incoming IPv4 packets whose destination matches this IPv4 address exactly. Address 0.0.0.0 is also accepted as a special case in which incoming packets destined to any station IP address are always delivered. Not used when <i>UseDefaultAddress</i> is <b>TRUE</b> .
<i>SubnetMask</i>	The subnet address mask that is associated with the station address. Not used when <i>UseDefaultAddress</i> is <b>TRUE</b> .
<i>TypeOfService</i>	<i>TypeOfService</i> field in transmitted IPv4 packets.
<i>TimeToLive</i>	<i>TimeToLive</i> field in transmitted IPv4 packets.
<i>DoNotFragment</i>	State of the <i>DoNotFragment</i> bit in transmitted IPv4 packets.
<i>RawData</i>	Set to <b>TRUE</b> to send and receive unformatted packets. The other IPv4 receive filters are still applied. Fragmentation is disabled for <i>RawData</i> mode. NOTE: Unformatted packets include the IP header and payload. The media header is appended automatically for outgoing packets by underlying network drivers.
<i>ReceiveTimeout</i>	The timer timeout value (number of microseconds) for the receive timeout event to be associated with each assembled packet. Zero means do not drop assembled packets.
<i>TransmitTimeout</i>	The timer timeout value (number of microseconds) for the transmit timeout event to be associated with each outgoing packet. Zero means do not drop outgoing packets.

The **EFI\_IP4\_CONFIG\_DATA** structure is used to report and change IPv4 session parameters.

```

//*****
// EFI_IP4_ROUTE_TABLE
//*****
typedef struct {
    EFI_IPv4_ADDRESS    SubnetAddress;
    EFI_IPv4_ADDRESS    SubnetMask;
    EFI_IPv4_ADDRESS    GatewayAddress;
} EFI_IP4_ROUTE_TABLE;

```

*SubnetAddress*            The subnet address to be routed.

*SubnetMask*             The subnet mask. If (*DestinationAddress* & *SubnetMask* == *SubnetAddress*), then the packet is to be directed to the *GatewayAddress*.

*GatewayAddress*         The IPv4 address of the gateway that redirects packets to this subnet. If the IPv4 address is 0.0.0.0, then packets to this subnet are not redirected.

**EFI\_IP4\_ROUTE\_TABLE** is the entry structure that is used in routing tables.

```

//*****
// EFI_IP4_ICMP_TYPE
//*****
typedef struct {
    UINT8                Type;
    UINT8                Code;
} EFI_IP4_ICMP_TYPE

```

*Type*                    The type of ICMP message. See RFC 792 and RFC 950.

*Code*                    The code of the ICMP message, which further describes the different ICMP message formats under the same *Type*. See RFC 792 and RFC 950.

**EFI\_IP4\_ICMP\_TYPE** is used to describe those ICMP messages that are supported by this EFI IPv4 Protocol driver.

## Status Codes Returned

EFI_SUCCESS	The operation completed successfully.
EFI_INVALID_PARAMETER	<i>This</i> is <b>NULL</b> .
EFI_OUT_OF_RESOURCES	The required mode data could not be allocated.

## EFI\_IP4\_PROTOCOL.Configure()

### Summary

Assigns an IPv4 address and subnet mask to this EFI IPv4 Protocol driver instance.

### Prototype

```
typedef
EFI_STATUS
(EFI_API *EFI_IP4_CONFIGURE) (
    IN EFI_IP4_PROTOCOL          *This,
    IN EFI_IP4_CONFIG_DATA      *IpConfigData    OPTIONAL
);
```

### Parameters

<i>This</i>	Pointer to the <b>EFI_IP4_PROTOCOL</b> instance.
<i>IpConfigData</i>	Pointer to the EFI IPv4 Protocol configuration data structure. Type <b>EFI_IP4_CONFIG_DATA</b> is defined in <b>EFI_IP4_PROTOCOL.GetModeData()</b> .

### Description

The **Configure()** function is used to set, change, or reset the operational parameters and filter settings for this EFI IPv4 Protocol instance. Until these parameters have been set, no network traffic can be sent or received by this instance. Once the parameters have been reset (by calling this function with *IpConfigData* set to **NULL**), no more traffic can be sent or received until these parameters have been set again. Each EFI IPv4 Protocol instance can be started and stopped independently of each other by enabling or disabling their receive filter settings with the **Configure()** function.

When *IpConfigData.UseDefaultAddress* is set to **FALSE**, the new station address will be appended as an alias address into the addresses list in the EFI IPv4 Protocol driver. While set to **TRUE**, **Configure()** will trigger the **EFI\_IP4\_CONFIG\_PROTOCOL** to retrieve the default IPv4 address if it is not available yet. Clients could frequently call **GetModeData()** to check the status to ensure that the default IPv4 address is ready.

If operational parameters are reset or changed, any pending transmit and receive requests will be cancelled. Their completion token status will be set to **EFI\_ABORTED** and their events will be signaled.

## Status Codes Returned

EFI_SUCCESS	The driver instance was successfully opened.
EFI_NO_MAPPING	When using the default address, configuration (DHCP, BOOTP, RARP, etc.) is not finished yet.
EFI_INVALID_PARAMETER	One or more of the following conditions is <b>TRUE</b> : <ul style="list-style-type: none"><li>• <i>This</i> is <b>NULL</b>.</li><li>• <code>IpConfigData.StationAddress</code> is not a unicast IPv4 address.</li><li>• <code>IpConfigData.SubnetMask</code> is not a valid IPv4 subnet mask.</li></ul>
EFI_UNSUPPORTED	One or more of the following conditions is <b>TRUE</b> : <ul style="list-style-type: none"><li>• A configuration protocol (DHCP, BOOTP, RARP, etc.) could not be located when clients choose to use the default IPv4 address. This EFI IPv4 Protocol implementation does not support this requested filter or timeout setting.</li></ul>
EFI_OUT_OF_RESOURCES	The EFI IPv4 Protocol driver instance data could not be allocated.
EFI_ALREADY_STARTED	The interface is already open and must be stopped before the IPv4 address or subnet mask can be changed. The interface must also be stopped when switching to/from raw packet mode.
EFI_DEVICE_ERROR	An unexpected system or network error occurred. The EFI IPv4 Protocol driver instance is not opened.

## EFI\_IP4\_PROTOCOL.Groups()

### Summary

Joins and leaves multicast groups.

### Prototype

```
typedef
EFI_STATUS
(EFI_API *EFI_IP4_GROUPS) (
    IN EFI_IP4_PROTOCOL *This,
    IN BOOLEAN          JoinFlag,
    IN EFI_IPv4_ADDRESS *GroupAddress OPTIONAL
);
```

### Parameters

<i>This</i>	Pointer to the <b>EFI_IP4_PROTOCOL</b> instance.
<i>JoinFlag</i>	Set to <b>TRUE</b> to join the multicast group session and <b>FALSE</b> to leave.
<i>GroupAddress</i>	Pointer to the IPv4 multicast address.

### Description

The **Groups ()** function is used to join and leave multicast group sessions. Joining a group will enable reception of matching multicast packets. Leaving a group will disable the multicast packet reception.

If *JoinFlag* is **FALSE** and *GroupAddress* is **NULL**, all joined groups will be left.

## Status Codes Returned

EFI_SUCCESS	The operation completed successfully.
EFI_INVALID_PARAMETER	One or more of the following is <b>TRUE</b> : <ul style="list-style-type: none"><li>• <i>This</i> is <b>NULL</b>.</li><li>• <i>JoinFlag</i> is <b>TRUE</b> and <i>GroupAddress</i> is <b>NULL</b>.</li><li>• <i>GroupAddress</i> is not <b>NULL</b> and <i>*GroupAddress</i> is not a multicast IPv4 address.</li></ul>
EFI_NOT_STARTED	This instance has not been started.
EFI_NO_MAPPING	When using the default address, configuration (DHCP, BOOTP, RARP, etc.) is not finished yet.
EFI_OUT_OF_RESOURCES	System resources could not be allocated.
EFI_UNSUPPORTED	This EFI IPv4 Protocol implementation does not support multicast groups.
EFI_ALREADY_STARTED	The group address is already in the group table (when <i>JoinFlag</i> is <b>TRUE</b> ).
EFI_NOT_FOUND	The group address is not in the group table (when <i>JoinFlag</i> is <b>FALSE</b> ).
EFI_DEVICE_ERROR	An unexpected system or network error occurred.



## EFI\_IP4\_PROTOCOL.Routes()

### Summary

Adds and deletes routing table entries.

### Prototype

```
typedef
EFI_STATUS
(EFIAPI *EFI_IP4_ROUTES) (
    IN EFI_IP4_PROTOCOL    *This,
    IN BOOLEAN             DeleteRoute,
    IN EFI_IPv4_ADDRESS    *SubnetAddress,
    IN EFI_IPv4_ADDRESS    *SubnetMask,
    IN EFI_IPv4_ADDRESS    *GatewayAddress
);
```

### Parameters

<i>This</i>	Pointer to the <b>EFI_IP4_PROTOCOL</b> instance.
<i>DeleteRoute</i>	Set to <b>TRUE</b> to delete this route from the routing table. Set to <b>FALSE</b> to add this route to the routing table. <i>SubnetAddress</i> and <i>SubnetMask</i> are used as the key to each route entry.
<i>SubnetAddress</i>	The address of the subnet that needs to be routed.
<i>SubnetMask</i>	The subnet mask of <i>SubnetAddress</i> .
<i>GatewayAddress</i>	The unicast gateway IPv4 address for this route.

### Description

The **Routes ()** function adds a route to or deletes a route from the routing table.

Routes are determined by comparing the *SubnetAddress* with the destination IPv4 address arithmetically **AND**-ed with the *SubnetMask*. The gateway address must be on the same subnet as the configured station address.

The default route is added with *SubnetAddress* and *SubnetMask* both set to 0.0.0.0. The default route matches all destination IPv4 addresses that do not match any other routes.

A *GatewayAddress* that is zero is a nonroute. Packets are sent to the destination IP address if it can be found in the ARP cache or on the local subnet. One automatic nonroute entry will be inserted into the routing table for outgoing packets that are addressed to a local subnet (gateway address of 0.0.0.0).

Each EFI IPv4 Protocol instance has its own independent routing table. Those EFI IPv4 Protocol instances that use the default IPv4 address will also have copies of the routing table that was provided by the **EFI\_IP4\_CONFIG\_PROTOCOL**, and these copies will be updated whenever the EIF IPv4 Protocol driver reconfigures its instances. As a result, client modification to the routing table will be lost.

## NOTE

---

*There is no way to set up routes to other network interface cards because each network interface card has its own independent network stack that shares information only through **EFI IPv4 variable**.*

---

## Status Codes Returned

EFI_SUCCESS	The operation completed successfully.
EFI_NOT_STARTED	The driver instance has not been started.
EFI_NO_MAPPING	When using the default address, configuration (DHCP, BOOTP, RARP, etc.) is not finished yet.
EFI_INVALID_PARAMETER	One or more of the following conditions is <b>TRUE</b> : <ul style="list-style-type: none"> <li>• <i>This</i> is <b>NULL</b>.</li> <li>• <i>SubnetAddress</i> is <b>NULL</b>.</li> <li>• <i>SubnetMask</i> is <b>NULL</b>.</li> <li>• <i>GatewayAddress</i> is <b>NULL</b>.</li> <li>• <i>*SubnetAddress</i> is not a valid subnet address.</li> <li>• <i>*SubnetMask</i> is not a valid subnet mask.</li> <li>• <i>*GatewayAddress</i> is not a valid unicast IPv4 address.</li> </ul>
EFI_OUT_OF_RESOURCES	Could not add the entry to the routing table.
EFI_NOT_FOUND	This route is not in the routing table (when <i>DeleteRoute</i> is <b>TRUE</b> ).
EFI_ACCESS_DENIED	The route is already defined in the routing table (when <i>DeleteRoute</i> is <b>FALSE</b> ).

## EFI\_IP4\_PROTOCOL.Transmit()

### Summary

Places outgoing data packets into the transmit queue.

### Prototype

```
typedef
EFI_STATUS
(EFI_API *EFI_IP4_TRANSMIT) (
    IN EFI_IP4_PROTOCOL           *This,
    IN EFI_IP4_COMPLETION_TOKEN *Token
);
```

### Parameters

<i>This</i>	Pointer to the <b>EFI_IP4_PROTOCOL</b> instance.
<i>Token</i>	Pointer to the transmit token. Type <b>EFI_IP4_COMPLETION_TOKEN</b> is defined in “Related Definitions” below.

### Description

The **Transmit()** function places a sending request in the transmit queue of this EFI IPv4 Protocol instance. Whenever the packet in the token is sent out or some errors occur, the event in the token will be signaled and the status is updated.

### Related Definitions

```
/**
//*****
// EFI_IP4_COMPLETION_TOKEN
//*****
typedef struct {
    EFI_EVENT           Event;
    EFI_STATUS         Status;
    union {
        EFI_IP4_RECEIVE_DATA *RxData;
        EFI_IP4_TRANSMIT_DATA *TxData;
    }
} EFI_IP4_COMPLETION_TOKEN;
```

<i>Event</i>	This <i>Event</i> will be signaled after the <i>Status</i> field is updated by the EFI IPv4 Protocol driver. The type of <i>Event</i> must be <b>EFI_NOTIFY_SIGNAL</b> . The Task Priority Level (TPL) of <i>Event</i> must be lower than or equal to <b>TPL_CALLBACK</b> .
--------------	---

*Status* Will be set to one of the following values:

- **EFI\_SUCCESS:** The receive or transmit completed successfully.
- **EFI\_ABORTED:** The receive or transmit was aborted.
- **EFI\_TIMEOUT:** The transmit timeout expired.
- **EFI\_ICMP\_ERROR:** An ICMP error packet was received.
- **EFI\_DEVICE\_ERROR:** An unexpected system or network error occurred.

*RxData* When this token is used for receiving, *RxData* is a pointer to the **EFI\_IP4\_RECEIVE\_DATA**. Type **EFI\_IP4\_RECEIVE\_DATA** is defined below.

*TxData* When this token is used for transmitting, *TxData* is a pointer to the **EFI\_IP4\_TRANSMIT\_DATA**. Type **EFI\_IP4\_TRANSMIT\_DATA** is defined below.

**EFI\_IP4\_COMPLETION\_TOKEN** structures are used for both transmit and receive operations.

When the structure is used for transmitting, the *Event* and *TxData* fields must be filled in by the EFI IPv4 Protocol client. After the transmit operation completes, EFI IPv4 Protocol updates the *Status* field and the *Event* is signaled.

When the structure is used for receiving, only the *Event* field must be filled in by the EFI IPv4 Protocol client. After a packet is received, the EFI IPv4 Protocol fills in the *RxData* and *Status* fields and the *Event* is signaled.

```
/**
//*****
// EFI_IP4_RECEIVE_DATA
//*****
typedef struct {
    EFI_TIME                TimeStamp;
    EFI_EVENT               RecycleSignal;
    UINT32                  HeaderLength;
    EFI_IP4_HEADER          *Header;
    UINT32                  OptionsLength;
    VOID                    *Options;
    UINT32                  DataLength;
    UINT32                  FragmentCount;
    EFI_IP4_FRAGMENT_DATA  FragmentTable[1];
} EFI_IP4_RECEIVE_DATA;
```

*TimeStamp* Time when the EFI IPv4 Protocol driver accepted the packet.

<i>RecycleSignal</i>	After this event is signaled, the receive data structure is released and must not be referenced.
<i>HeaderLength</i>	Length of the IPv4 packet header. Zero if <i>ConfigData.RawData</i> is <b>TRUE</b> .
<i>Header</i>	Pointer to the IPv4 packet header. If the IPv4 packet was fragmented, this argument is a pointer to the header in the first fragment. <b>NULL</b> if <i>ConfigData.RawData</i> is <b>TRUE</b> . Type <b>EFI_IP4_HEADER</b> is defined below.
<i>OptionsLength</i>	Length of the IPv4 packet header options. May be zero.
<i>Options</i>	Pointer to the IPv4 packet header options. If the IPv4 packet was fragmented, this argument is a pointer to the options in the first fragment. May be <b>NULL</b> .
<i>DataLength</i>	Sum of the lengths of IPv4 packet buffers in <i>FragmentTable</i> . May be zero.
<i>FragmentCount</i>	Number of IPv4 payload (or raw) fragments. If <i>ConfigData.RawData</i> is <b>TRUE</b> , this count is the number of raw IPv4 fragments received so far. May be zero.
<i>FragmentTable</i>	Array of payload (or raw) fragment lengths and buffer pointers. If <i>ConfigData.RawData</i> is <b>TRUE</b> , each buffer points to a raw IPv4 fragment and thus IPv4 header and options are included in each buffer. Otherwise, IPv4 headers and options are not included in these buffers. Type <b>EFI_IP4_FRAGMENT_DATA</b> is defined below.

The EFI IPv4 Protocol receive data structure is filled in when IPv4 packets have been assembled (or when raw packets have been received). In the case of IPv4 packet assembly, the individual packet fragments are only verified and are not reorganized into a single linear buffer.

The *FragmentTable* contains a sorted list of zero or more packet fragment descriptors. The referenced packet fragments may not be in contiguous memory locations.

```

//*****
// EFI_IP4_HEADER
//*****
#pragma pack(1)
typedef struct {
    UINT8           HeaderLength:4;
    UINT8           Version:4;
    UINT8           TypeOfService;
    UINT16          TotalLength;
    UINT16          Identification;
    UINT16          Fragmentation;
    UINT8           TimeToLive;
    UINT8           Protocol;
    UINT16          Checksum;
    EFI_IPv4_ADDRESS SourceAddress;
    EFI_IPv4_ADDRESS DestinationAddress;
} EFI_IP4_HEADER;
#pragma pack()

```

The fields in the IPv4 header structure are defined in the Internet Protocol version 4 specification, which can be found at: <ftp://ftp.rfc-editor.org/in-notes/rfc791.txt>.

```

//*****
// EFI_IP4_FRAGMENT_DATA
//*****
typedef struct {
    UINT32          FragmentLength;
    VOID            *FragmentBuffer;
} EFI_IP4_FRAGMENT_DATA;

```

<i>FragmentLength</i>	Length of fragment data. This field may not be set to zero.
<i>FragmentBuffer</i>	Pointer to fragment data. This field may not be set to <b>NULL</b> .

The **EFI\_IP4\_FRAGMENT\_DATA** structure describes the location and length of the IPv4 packet fragment to transmit or that has been received.

```

//*****
// EFI_IP4_TRANSMIT_DATA
//*****
typedef struct {
    EFI_IPv4_ADDRESS      DestinationAddress;
    EFI_IP4_OVERRIDE_DATA *OverrideData      OPTIONAL;
    UINT32                OptionsLength      OPTIONAL;
    VOID                  *OptionsBuffer     OPTIONAL;
    UINT32                TotalDataLength;
    UINT32                FragmentCount;
    EFI_IP4_FRAGMENT_DATA FragmentTable[1];
} EFI_IP4_TRANSMIT_DATA;

```

*DestinationAddress*

The destination IPv4 address. Ignored if *RawData* is **TRUE**.

*OverrideData*

If not **NULL**, the IPv4 transmission control override data. Ignored if *RawData* is **TRUE**. Type **EFI\_IP4\_OVERRIDE\_DATA** is defined below.

*OptionsLength*

Length of the IPv4 header options data. Must be zero if the IPv4 driver does not support IPv4 options. Ignored if *RawData* is **TRUE**.

*OptionsBuffer*

Pointer to the IPv4 header options data. Ignored if *OptionsLength* is zero. Ignored if *RawData* is **TRUE**.

*TotalDataLength*

Total length of the *FragmentTable* data to transmit.

*FragmentCount*

Number of entries in the fragment data table.

*FragmentTable*

Start of the fragment data table. Type **EFI\_IP4\_FRAGMENT\_DATA** is defined above.

The **EFI\_IP4\_TRANSMIT\_DATA** structure describes a possibly fragmented packet to be transmitted.

```

//*****
// EFI_IP4_OVERRIDE_DATA
//*****
typedef struct {
    EFI_IPv4_ADDRESS    SourceAddress;
    EFI_IPv4_ADDRESS    GatewayAddress;
    UINT8               Protocol;
    UINT8               TypeOfService;
    UINT8               TimeToLive;
    BOOLEAN             DoNotFragment;
} EFI_IP4_OVERRIDE_DATA;

```

<i>SourceAddress</i>	Source address override.
<i>GatewayAddress</i>	Gateway address to override the one selected from the routing table. This address must be on the same subnet as this station address. If set to 0.0.0.0, the gateway address selected from routing table will not be overridden.
<i>Protocol</i>	Protocol type override.
<i>TypeOfService</i>	Type-of-service override.
<i>TimeToLive</i>	Time-to-live override.
<i>DoNotFragment</i>	Do-not-fragment override.

The information and flags in the override data structure will override default parameters or settings for one **Transmit()** function call.



## Status Codes Returned

EFI_SUCCESS	The data has been queued for transmission.
EFI_NOT_STARTED	This instance has not been started.
EFI_NO_MAPPING	When using the default address, configuration (DHCP, BOOTP, RARP, etc.) is not finished yet.
EFI_INVALID_PARAMETER	One or more of the following is <b>TRUE</b> : <ul style="list-style-type: none"> <li>• <i>This</i> is <b>NULL</b>.</li> <li>• <i>Token</i> is <b>NULL</b>.</li> <li>• <i>Token.Event</i> is <b>NULL</b>.</li> <li>• <i>Token.Packet.TxData</i> is <b>NULL</b>.</li> <li>• <i>Token.Packet.TxData.OverrideData.GatewayAddress</i> in the override data structure is not a unicast IPv4 address if <i>OverrideData</i> is not <b>NULL</b>.</li> <li>• <i>Token.Packet.TxData.OverrideData.SourceAddress</i> is not a unicast IPv4 address if <i>OverrideData</i> is not <b>NULL</b>.</li> <li>• <i>Token.Packet.OptionsLength</i> is not zero and <i>Token.Packet.OptionsBuffer</i> is <b>NULL</b>.</li> <li>• <i>Token.Packet.FragmentCount</i> is zero.</li> <li>• One or more of the <i>Token.Packet.TxData.FragmentTable[] . FragmentLength</i> fields is zero.</li> <li>• One or more of the <i>Token.Packet.TxData.FragmentTable[] . FragmentBuffer</i> fields is <b>NULL</b>.</li> <li>• <i>Token.Packet.TxData.TotalDataLength</i> is zero or not equal to the sum of fragment lengths.</li> <li>• The IP header in <i>FragmentTable</i> is not a well-formed header when <i>RawData</i> is <b>TRUE</b>.</li> </ul>
EFI_ACCESS_DENIED	The transmit completion token with the same <i>Token.Event</i> was already in the transmit queue.
EFI_NOT_READY	The completion token could not be queued because the transmit queue is full.
EFI_NOT_FOUND	Not route is found to destination address.
EFI_OUT_OF_RESOURCES	Could not queue the transmit data.
EFI_BUFFER_TOO_SMALL	<i>Token.Packet.TxData.TotalDataLength</i> is too short to transmit.
EFI_BAD_BUFFER_SIZE	The length of the IPv4 header + option length + total data length is greater than MTU (or greater than the maximum packet size if <i>Token.Packet.TxData.OverrideData.DoNotFragment</i> is <b>TRUE</b> .)

## EFI\_IP4\_PROTOCOL.Receive()

### Summary

Places a receiving request into the receiving queue.

### Prototype

```
typedef
EFI_STATUS
(EFI_API *EFI_IP4_RECEIVE) (
    IN EFI_IP4_PROTOCOL           *This,
    IN EFI_IP4_COMPLETION_TOKEN *Token
);
```

### Parameters

<i>This</i>	Pointer to the <b>EFI_IP4_PROTOCOL</b> instance.
<i>Token</i>	Pointer to a token that is associated with the receive data descriptor. Type <b>EFI_IP4_COMPLETION_TOKEN</b> is defined in “Related Definitions” of above <b>Transmit()</b> .

### Description

The **Receive()** function places a completion token into the receive packet queue. This function is always asynchronous.

The *Token.Event* field in the completion token must be filled in by the caller and cannot be **NULL**. When the receive operation completes, the EFI IPv4 Protocol driver updates the *Token.Status* and *Token.Packet.RxData* fields and the *Token.Event* is signaled.

## Status Codes Returned

EFI_SUCCESS	The receive completion token was cached.
EFI_NOT_STARTED	This EFI IPv4 Protocol instance has not been started.
EFI_NO_MAPPING	When using the default address, configuration (DHCP, BOOTP, RARP, etc.) is not finished yet.
EFI_INVALID_PARAMETER	One or more of the following conditions is <b>TRUE</b> : <ul style="list-style-type: none"><li>• <i>This</i> is <b>NULL</b>.</li><li>• <i>Token</i> is <b>NULL</b>.</li><li>• <i>Token.Event</i> is <b>NULL</b>.</li></ul>
EFI_OUT_OF_RESOURCES	The receive completion token could not be queued due to a lack of system resources (usually memory).
EFI_DEVICE_ERROR	An unexpected system or network error occurred. The EFI IPv4 Protocol instance has been reset to startup defaults.
EFI_ACCESS_DENIED	The receive completion token with the same <i>Token.Event</i> was already in the receive queue.
EFI_NOT_READY	The receive request could not be queued because the receive queue is full.
EFI_ICMP_ERROR	An ICMP error packet was received.

## EFI\_IP4\_PROTOCOL.Cancel()

### Summary

Abort an asynchronous transmit or receive request.

### Prototype

```
typedef
EFI_STATUS
(EFIAPI *EFI_IP4_CANCEL) (
    IN EFI_IP4_PROTOCOL          *This,
    IN EFI_IP4_COMPLETION_TOKEN *Token    OPTIONAL
);
```

### Parameters

<i>This</i>	Pointer to the <b>EFI_IP4_PROTOCOL</b> instance.
<i>Token</i>	Pointer to a token that has been issued by <b>EFI_IP4_PROTOCOL.Transmit()</b> or <b>EFI_IP4_PROTOCOL.Receive()</b> . If <b>NULL</b> , all pending tokens are aborted. Type <b>EFI_IP4_COMPLETION_TOKEN</b> is defined in <b>EFI_IP4_PROTOCOL.Transmit()</b> .

### Description

The **Cancel()** function is used to abort a pending transmit or receive request. If the token is in the transmit or receive request queues, after calling this function, *Token->Status* will be set to **EFI\_ABORTED** and then *Token->Event* will be signaled. If the token is not in one of the queues, which usually means the asynchronous operation has completed, this function will not signal the token and **EFI\_NOT\_FOUND** is returned.

### Status Codes Returned

EFI_SUCCESS	The asynchronous I/O request was aborted and <i>Token-&gt;Event</i> was signaled. When <i>Token</i> is <b>NULL</b> , all pending requests were aborted and their events were signaled.
EFI_INVALID_PARAMETER	<i>This</i> is <b>NULL</b> .
EFI_NOT_STARTED	This instance has not been started.
EFI_NO_MAPPING	When using the default address, configuration (DHCP, BOOTP, RARP, etc.) is not finished yet.
EFI_NOT_FOUND	When <i>Token</i> is not <b>NULL</b> , the asynchronous I/O request was not found in the transmit or receive queue. It has either completed or was not issued by <b>Transmit()</b> and <b>Receive()</b> .

## EFI\_IP4\_PROTOCOL.Poll()

### Summary

Polls for incoming data packets and processes outgoing data packets.

### Prototype

```
typedef
EFI_STATUS
(EFI_API *EFI_IP4_POLL) (
    IN EFI_IP4_PROTOCOL *This
);
```

### Parameters

*This* Pointer to the **EFI\_IP4\_PROTOCOL** instance.

### Description

The **Poll()** function polls for incoming data packets and processes outgoing data packets. Network drivers and applications can call the **EFI\_IP4\_PROTOCOL.Poll()** function to increase the rate that data packets are moved between the communications device and the transmit and receive queues.

In some systems the periodic timer event may not poll the underlying communications device fast enough to transmit and/or receive all data packets without missing incoming packets or dropping outgoing packets. Drivers and applications that are experiencing packet loss should try calling the **EFI\_IP4\_PROTOCOL.Poll()** function more often.

### Status Codes Returned

EFI_SUCCESS	Incoming or outgoing data was processed.
EFI_NOT_STARTED	This EFI IPv4 Protocol instance has not been started.
EFI_NO_MAPPING	When using the default address, configuration (DHCP, BOOTP, RARP, etc.) is not finished yet.
EFI_INVALID_PARAMETER	<i>This</i> is <b>NULL</b> .
EFI_DEVICE_ERROR	An unexpected system or network error occurred.
EFI_NOT_READY	No incoming or outgoing data is processed.
EFI_TIMEOUT	Data was dropped out of the transmit and/or receive queue. Consider increasing the polling rate.

## 23.3 EFI IPv4 Configuration Protocol

This section provides a detailed description of the EFI IPv4 Configuration Protocol.

# EFI\_IP4\_CONFIG\_PROTOCOL

## Summary

The **EFI\_IP4\_CONFIG\_PROTOCOL** driver performs platform- and policy-dependent configuration for the EFI IPv4 Protocol driver.

## GUID

```
#define EFI_IP4_CONFIG_PROTOCOL_GUID \
{0x3b95aa31,0x3793,0x434b,0x8667,0xc8,0x07,0x08,0x92,0xe0,0x5e}
```

## Protocol Interface Structure

```
typedef struct _EFI_IP4_CONFIG_PROTOCOL {
    EFI_IP4_CONFIG_START    Start;
    EFI_IP4_CONFIG_STOP     Stop;
    EFI_IP4_CONFIG_GET_DATA GetData;
} EFI_IP4_CONFIG_PROTOCOL;
```

## Parameters

<i>Start</i>	Starts running the configuration policy for the EFI IPv4 Protocol driver. See the <b>Start()</b> function description.
<i>Stop</i>	Stops running the configuration policy for the EFI IPv4 Protocol driver. See the <b>Stop()</b> function description.
<i>GetData</i>	Returns the default configuration data (if any) for the EFI IPv4 Protocol driver. See the <b>GetData()</b> function description.

## Description

In an effort to keep platform policy code out of the EFI IPv4 Protocol driver, the **EFI\_IP4\_CONFIG\_PROTOCOL** driver will be used as the central repository of any platform- and policy-specific configuration for the EFI IPv4 Protocol driver.

An EFI IPv4 Configuration Protocol interface will be installed on each communications device handle that is managed by the platform setup policy. The driver that is responsible for creating EFI IPv4 variable must open the EFI IPv4 Configuration Protocol driver interface **BY\_DRIVER|EXCLUSIVE**.

An example of a configuration policy decision for the EFI IPv4 Protocol driver would be to use a static IP address/subnet mask pair on the platform management network interface and then use dynamic IP addresses that are configured by DHCP on the remaining network interfaces.

## EFI\_IP4\_CONFIG\_PROTOCOL.Start()

### Summary

Starts running the configuration policy for the EFI IPv4 Protocol driver.

### Prototype

```
typedef
EFI_STATUS
(EFI_API *EFI_IP4_CONFIG_START) (
    IN EFI_IP4_CONFIG_PROTOCOL    *This,
    IN EFI_EVENT                  DoneEvent,
    IN EFI_EVENT                  ReconfigEvent
);
```

### Parameters

<i>This</i>	Pointer to the <b>EFI_IP4_CONFIG_PROTOCOL</b> instance.
<i>DoneEvent</i>	Event that will be signaled when the EFI IPv4 Protocol driver configuration policy completes execution. This event must be of type <b>EVT_NOTIFY_SIGNAL</b> .
<i>ReconfigEvent</i>	Event that will be signaled when the EFI IPv4 Protocol driver configuration needs to be updated. This event must be of type <b>EVT_NOTIFY_SIGNAL</b> .

### Description

The **Start()** function is called to determine and to begin the platform configuration policy by the EFI IPv4 Protocol driver. This determination may be as simple as returning **EFI\_UNSUPPORTED** if there is no EFI IPv4 Protocol driver configuration policy. It may be as involved as loading some defaults from nonvolatile storage, downloading dynamic data from a DHCP server, and checking permissions with a site policy server.

Starting the configuration policy is just the beginning. It may finish almost instantly or it may take several minutes before it fails to retrieve configuration information from one or more servers. Once the policy is started, drivers should use the *DoneEvent* parameter to determine when the configuration policy has completed. **EFI\_IP4\_CONFIG\_PROTOCOL.GetData()** must then be called to determine if the configuration succeeded or failed.

Until the configuration completes successfully, EFI IPv4 Protocol driver instances that are attempting to use default configurations must return **EFI\_NO\_MAPPING**.

Once the configuration is complete, the EFI IPv4 Configuration Protocol driver signals *DoneEvent*. The configuration may need to be updated in the future, however; in this case, the EFI IPv4 Configuration Protocol driver must signal *ReconfigEvent*, and all EFI IPv4 Protocol driver instances that are using default configurations must return **EFI\_NO\_MAPPING** until the configuration policy has been rerun.

## Status Codes Returned

EFI_SUCCESS	The configuration policy for the EFI IPv4 Protocol driver is now running.
EFI_INVALID_PARAMETER	One or more of the following parameters is <b>NULL</b> : <ul style="list-style-type: none"> <li>• <i>This</i></li> <li>• <i>DoneEvent</i></li> <li>• <i>ReconfigEvent</i></li> </ul>
EFI_OUT_OF_RESOURCES	Required system resources could not be allocated.
EFI_ALREADY_STARTED	The configuration policy for the EFI IPv4 Protocol driver was already started.
EFI_DEVICE_ERROR	An unexpected system error or network error occurred.
EFI_UNSUPPORTED	This interface does not support the EFI IPv4 Protocol driver configuration.



## EFI\_IP4\_CONFIG\_PROTOCOL.Stop()

### Summary

Stops running the configuration policy for the EFI IPv4 Protocol driver.

### Prototype

```
typedef
EFI_STATUS
(EFI_API *EFI_IP4_CONFIG_STOP) (
    IN EFI_IP4_CONFIG_PROTOCOL *This
);
```

### Parameters

*This* Pointer to the **EFI\_IP4\_CONFIG\_PROTOCOL** instance.

### Description

The **Stop()** function stops the configuration policy for the EFI IPv4 Protocol driver. All configuration data will be lost after calling **Stop()**.

### Status Codes Returned

EFI_SUCCESS	The configuration policy for the EFI IPv4 Protocol driver has been stopped.
EFI_INVALID_PARAMETER	<i>This</i> is <b>NULL</b> .
EFI_NOT_STARTED	The configuration policy for the EFI IPv4 Protocol driver was not started.

## EFI\_IP4\_CONFIG\_PROTOCOL.GetData()

### Summary

Returns the default configuration data (if any) for the EFI IPv4 Protocol driver.

### Prototype

```
typedef
EFI_STATUS
(EFI_API *EFI_IP4_CONFIG_GET_DATA) (
    IN EFI_IP4_CONFIG_PROTOCOL *This,
    IN OUT UINTN                *IpConfigDataSize,
    OUT EFI_IP4_IPCONFIG_DATA  *IpConfigData    OPTIONAL
);
```

### Parameters

<i>This</i>	Pointer to the <b>EFI_IP4_CONFIG_PROTOCOL</b> instance.
<i>IpConfigDataSize</i>	On input, the size of the <i>IpConfigData</i> buffer. On output, the count of bytes that were written into the <i>IpConfigData</i> buffer.
<i>IpConfigData</i>	Pointer to the EFI IPv4 Configuration Protocol driver configuration data structure. Type <b>EFI_IP4_IPCONFIG_DATA</b> is defined in “Related Definitions” below.

### Description

The **GetData()** function returns the current configuration data for the EFI IPv4 Protocol driver after the configuration policy has completed.

### Related Definitions

```
/**
//*****
// EFI_IP4_IPCONFIG_DATA
//*****
typedef struct {
    EFI_IPv4_ADDRESS    StationAddress;
    EFI_IPv4_ADDRESS    SubnetMask;
    UINT32              RouteTableSize;
    EFI_IP4_ROUTE_TABLE *RouteTable    OPTIONAL;
} EFI_IP4_IPCONFIG_DATA;
```

<i>StationAddress</i>	Default station IP address, stored in network byte order.
<i>SubnetMask</i>	Default subnet mask, stored in network byte order.
<i>RouteTableSize</i>	Number of entries in the following <i>RouteTable</i> . May be zero.
<i>RouteTable</i>	Default routing table data (stored in network byte order). Ignored if <i>RouteTableSize</i> is zero. Type <b>EFI_IP4_ROUTE_TABLE</b> is defined in <b>EFI_IP4_PROTOCOL.GetModeData()</b> .

**EFI\_IP4\_IPCONFIG\_DATA** contains the minimum IPv4 configuration data that is needed to start basic network communication. The *StationAddress* and *SubnetMask* must be a valid unicast IP address and subnet mask.

If *RouteTableSize* is not zero, then *RouteTable* contains a properly formatted routing table for the *StationAddress/SubnetMask*, with the last entry in the table being the default route.

## Status Codes Returned

EFI_SUCCESS	The EFI IPv4 Protocol driver configuration has been returned.
EFI_INVALID_PARAMETER	<i>This</i> is <b>NULL</b> .
EFI_NOT_STARTED	The configuration policy for the EFI IPv4 Protocol driver is not running.
EFI_NOT_READY	EFI IPv4 Protocol driver configuration is still running.
EFI_ABORTED	EFI IPv4 Protocol driver configuration could not complete.
EFI_BUFFER_TOO_SMALL	* <i>IpConfigDataSize</i> is smaller than the configuration data buffer or <i>IpConfigData</i> is <b>NULL</b> .



## Network Protocols — UDPv4 and MTFTPv4

---

### 24.1 EFI UDPv4 Protocol

This section defines the EFI UDPv4 (User Datagram Protocol version 4) Protocol that interfaces over the EFI IPv4 Protocol.

#### EFI\_UDP4\_SERVICE\_BINDING\_PROTOCOL

##### Summary

The EFI UDPv4 Service Binding Protocol is used to locate communication devices that are supported by an EFI UDPv4 Protocol driver and to create and destroy instances of the EFI UDPv4 Protocol child protocol driver that can use the underlying communications device.

##### GUID

```
#define EFI_UDP4_SERVICE_BINDING_PROTOCOL_GUID \
    {0x83f01464, 0x99bd, 0x45e5, 0xb383, 0xaf, 0x63, 0x05, 0xd8, 0xe9, 0xe6}
```

##### Description

A network application that requires basic UDPv4 I/O services can use one of the protocol handler services, such as **BS->LocateHandleBuffer()**, to search for devices that publish a EFI UDPv4 Service Binding Protocol GUID. Each device with a published EFI UDPv4 Service Binding Protocol GUID supports the EFI UDPv4 Protocol and may be available for use.

After a successful call to the **EFI\_UDP4\_SERVICE\_BINDING\_PROTOCOL.CreateChild()** function, the newly created child EFI UDPv4 Protocol driver is in an unconfigured state; it is not ready to send and receive data packets.

Before a network application terminates execution every successful call to the **EFI\_UDP4\_SERVICE\_BINDING\_PROTOCOL.CreateChild()** function must be matched with a call to the **EFI\_UDP4\_SERVICE\_BINDING\_PROTOCOL.DestroyChild()** function.

#### EFI UDP4 Variable

##### Summary

An accurate list of all of the IPv4 addresses and port number that are currently being used must be maintained for each communications device. This list is stored as a volatile EFI variable so it can be publicly read.

## Vendor GUID

`gEfiUdp4ServiceBindingProtocolGuid`

## Variable Name

`CHAR16 *MacAddress;`

## Attribute

`EFI_VARIABLE_BOOTSERVICE_ACCESS`

## Description

*MacAddress* is the string of printed hexadecimal value for each byte in hardware address (of type `EFI_MAC_ADDRESS`) of the communications device. No 0x or h is included in each hex value. The length of *MacAddress* is determined by the hardware address length. For example: if the hardware address is 00-07-E9-51-60-D7, and address length is 6 bytes, then *MacAddress* is `"0007E95160D7"`.

## Related Definitions

```
/**
 *
 */
// *****
// EFI_UDP4_VARIABLE_DATA
// *****
typedef struct {
    EFI_HANDLE          DriverHandle;
    UINT32              ServiceCount;
    EFI_UDP4_SERVICE_POINT Services[1];
} EFI_UDP4_VARIABLE_DATA;
```

*DriverHandle*            The handle of the driver that creates this entry.

*ServiceCount*           The number of address/port pairs that follow this data structure.

*Services*                List of address/port pairs that are currently in use. Type `EFI_UDP4_SERVICE_POINT` is defined below.

```

//*****
// EFI_UDP4_SERVICE_POINT
//*****
typedef struct{
    EFI_HANDLE           InstanceHandle;
    EFI_IPv4_ADDRESS    LocalAddress;
    UINT16              LocalPort;
    EFI_IPv4_ADDRESS    RemoteAddress;
    UINT16              RemotePort;
} EFI_UDP4_SERVICE_POINT;

```

<i>InstanceHandle</i>	The EFI UDPv4 Protocol instance handle that is using this address/port pair. May be <b>NULL</b> if no instance is associated with this service access point.
<i>LocalAddress</i>	The IPv4 address to which this instance of the EFI UDPv4 Protocol is bound.
<i>LocalPort</i>	The port number in host byte order on which the service is listening.
<i>RemoteAddress</i>	The IPv4 address of the remote host. May be 0.0.0.0 if it is not connected to any remote host.
<i>RemotePort</i>	The port number in host byte order on which the remote host is listening. May be zero if it is not connected to any remote host.

# EFI\_UDP4\_PROTOCOL

## Summary

The EFI UDPv4 Protocol provides simple packet-oriented services to transmit and receive UDP packets.

## GUID

```
#define EFI_UDP4_PROTOCOL_GUID \
{0x3ad9df29,0x4501,0x478d,0xb1f8,0x7f,0x7f,0xe7,0x0e,0x50,0xf3}
```

## Protocol Interface Structure

```
typedef struct _EFI_UDP4_PROTOCOL {
    EFI_UDP4_GET_MODE_DATA    GetModeData;
    EFI_UDP4_CONFIGURE        Configure;
    EFI_UDP4_GROUPS           Groups;
    EFI_UDP4_ROUTES           Routes;
    EFI_UDP4_TRANSMIT         Transmit;
    EFI_UDP4_RECEIVE          Receive;
    EFI_UDP4_CANCEL           Cancel;
    EFI_UDP4_POLL             Poll;
} EFI_UDP4_PROTOCOL;
```

## Parameters

<i>GetModeData</i>	Reads the current operational settings. See the <b>GetModeData ()</b> function description.
<i>Configure</i>	Initializes, changes, or resets operational settings for the EFI UDPv4 Protocol. See the <b>Configure ()</b> function description.
<i>Groups</i>	Joins and leaves multicast groups. See the <b>Groups ()</b> function description.
<i>Routes</i>	Add and deletes routing table entries. See the <b>Routes ()</b> function description.
<i>Transmit</i>	Queues outgoing data packets into the transmit queue. This function is a nonblocked operation. See the <b>Transmit ()</b> function description.
<i>Receive</i>	Places a receiving request token into the receiving queue. This function is a nonblocked operation. See the <b>Receive ()</b> function description.
<i>Cancel</i>	Aborts a pending transmit or receive request. See the <b>Cancel ()</b> function description.



*Poll*

Polls for incoming data packets and processes outgoing data packets. See the **Poll ()** function description.

## Description

The **EFI\_UDP4\_PROTOCOL** defines an EFI UDPv4 Protocol session that can be used by any network drivers, applications, or daemons to transmit or receive UDP packets. This protocol instance can either be bound to a specified port as a service or connected to some remote peer as an active client. Each instance has its own settings, such as the routing table and group table, which are independent from each other.

## BYTE ORDER NOTE

---

*In this document, all IPv4 addresses and incoming/outgoing packets are stored in network byte order. All other parameters in the functions and data structures that are defined in this document are stored in host byte order.*

---

## EFI\_UDP4\_PROTOCOL.GetModeData()

### Summary

Reads the current operational settings.

### Prototype

```
typedef
EFI_STATUS
(EFI_API *EFI_UDP4_GET_MODE_DATA) (
    IN EFI_UDP4_PROTOCOL                *This,
    OUT EFI_UDP4_CONFIG_DATA            *Udp4ConfigData    OPTIONAL,
    OUT EFI_IP4_MODE_DATA               *Ip4ModeData       OPTIONAL,
    OUT EFI_MANAGED_NETWORK_CONFIG_DATA *MnpConfigData    OPTIONAL,
    OUT EFI_SIMPLE_NETWORK_MODE         *SnpModeData       OPTIONAL
);
```

### Parameters

<i>This</i>	Pointer to the <b>EFI_UDP4_PROTOCOL</b> instance.
<i>Udp4ConfigData</i>	Pointer to the buffer to receive the current configuration data. Type <b>EFI_UDP4_CONFIG_DATA</b> is defined in “Related Definitions” below.
<i>Ip4ModeData</i>	Pointer to the EFI IPv4 Protocol mode data structure. Type <b>EFI_IP4_MODE_DATA</b> is defined in <b>EFI_IP4_PROTOCOL.GetModeData()</b> .
<i>MnpConfigData</i>	Pointer to the managed network configuration data structure. Type <b>EFI_MANAGED_NETWORK_CONFIG_DATA</b> is defined in <b>EFI_MANAGED_NETWORK_PROTOCOL.GetModeData()</b> .
<i>SnpModeData</i>	Pointer to the simple network mode data structure. Type <b>EFI_SIMPLE_NETWORK_MODE</b> is defined in the <b>EFI_SIMPLE_NETWORK_PROTOCOL</b> .

### Description

The **GetModeData()** function copies the current operational settings of this EFI UDPv4 Protocol instance into user-supplied buffers. This function is used optionally to retrieve the operational mode data of underlying networks or drivers.

## Related Definition

```
/** *****  
// EFI_UDP4_CONFIG_DATA  
/** *****  
typedef struct {  
    //Receiving Filters  
    BOOLEAN    AcceptBroadcast;  
    BOOLEAN    AcceptPromiscuous;  
    BOOLEAN    AcceptAnyPort;  
    BOOLEAN    AllowDuplicatePort;  
    //I/O parameters  
    UINT8      TypeOfService;  
    UINT8      TimeToLive;  
    BOOLEAN    DoNotFragment;  
    UINT32     ReceiveTimeout;  
    UINT32     TransmitTimeout;  
    //Access Point  
    BOOLEAN    UseDefaultAddress;  
    EFI_IPv4_ADDRESS  StationAddress;  
    EFI_IPv4_ADDRESS  SubnetMask;  
    UINT16     StationPort;  
    EFI_IPv4_ADDRESS  RemoteAddress;  
    UINT16     RemotePort;  
} EFI_UDP4_CONFIG_DATA;
```

<i>AcceptBroadcast</i>	Set to <b>TRUE</b> to accept broadcast UDP packets.
<i>AcceptPromiscuous</i>	Set to <b>TRUE</b> to accept UDP packets that are sent to any address.
<i>AcceptAnyPort</i>	Set to <b>TRUE</b> to accept UDP packets that are sent to any port.
<i>AllowDuplicatePort</i>	Set to <b>TRUE</b> to allow this EFI UDPv4 Protocol child instance to open a port number that is already being used by another EFI UDPv4 Protocol child instance.
<i>TypeOfService</i>	<i>TypeOfService</i> field in transmitted IPv4 packets.
<i>TimeToLive</i>	<i>TimeToLive</i> field in transmitted IPv4 packets.
<i>DoNotFragment</i>	Set to <b>TRUE</b> to disable IP transmit fragmentation.
<i>ReceiveTimeout</i>	The receive timeout value (number of microseconds) to be associated with each incoming packet. Zero means do not drop incoming packets.
<i>TransmitTimeout</i>	The transmit timeout value (number of microseconds) to be associated with each outgoing packet. Zero means do not drop outgoing packets.

<i>UseDefaultAddress</i>	Set to <b>TRUE</b> to use the default IP address and default routing table. If the default IP address is not available yet, then the underlying EFI IPv4 Protocol driver will use <b>EFI_IP4_CONFIG_PROTOCOL</b> to retrieve the IP address and subnet information. Ignored for incoming filtering if <i>AcceptPromiscuous</i> is set to <b>TRUE</b> .
<i>StationAddress</i>	The station IP address that will be assigned to this EFI UDPv4 Protocol instance. The EFI UDPv4 and EFI IPv4 Protocol drivers will only deliver incoming packets whose destination matches this IP address exactly. Address 0.0.0.0 is also accepted as a special case in which incoming packets destined to any station IP address are always delivered. Not used when <i>UseDefaultAddress</i> is <b>TRUE</b> . Ignored for incoming filtering if <i>AcceptPromiscuous</i> is <b>TRUE</b> .
<i>SubnetMask</i>	The subnet address mask that is associated with the station address. Not used when <i>UseDefaultAddress</i> is <b>TRUE</b> .
<i>StationPort</i>	The port number to which this EFI UDPv4 Protocol instance is bound. If a client of the EFI UDPv4 Protocol does not care about the port number, set <i>StationPort</i> to zero. The EFI UDPv4 Protocol driver will assign a random port number to transmitted UDP packets. Ignored if <i>AcceptAnyPort</i> is set to <b>TRUE</b> .
<i>RemoteAddress</i>	The IP address of remote host to which this EFI UDPv4 Protocol instance is connecting. If <i>RemoteAddress</i> is not 0.0.0.0, this EFI UDPv4 Protocol instance will be connected to <i>RemoteAddress</i> ; i.e., outgoing packets of this EFI UDPv4 Protocol instance will be sent to this address by default and only incoming packets from this address will be delivered to client. Ignored for incoming filtering if <i>AcceptPromiscuous</i> is <b>TRUE</b> .
<i>RemotePort</i>	The port number of the remote host to which this EFI UDPv4 Protocol instance is connecting. If it is not zero, outgoing packets of this EFI UDPv4 Protocol instance will be sent to this port number by default and only incoming packets from this port will be delivered to client. Ignored if <i>RemoteAddress</i> is 0.0.0.0 and ignored for incoming filtering if <i>AcceptPromiscuous</i> is <b>TRUE</b> .

## Status Codes Returned

EFI_SUCCESS	The mode data was read.
EFI_NOT_STARTED	When <i>Udp4ConfigData</i> is queried, no configuration data is available because this instance has not been started.
EFI_INVALID_PARAMETER	<i>This</i> is <b>NULL</b> .

## EFI\_UDP4\_PROTOCOL.Configure()

### Summary

Initializes, changes, or resets the operational parameters for this instance of the EFI UDPv4 Protocol.

### Prototype

```
typedef
EFI_STATUS
(EFIAPI *EFI_UDP4_CONFIGURE) (
    IN EFI_UDP4_PROTOCOL      *This,
    IN EFI_UDP4_CONFIG_DATA   *UdpConfigData OPTIONAL
);
```

### Parameters

<i>This</i>	Pointer to the <b>EFI_UDP4_PROTOCOL</b> instance.
<i>UdpConfigData</i>	Pointer to the buffer to receive the current mode data.

### Description

The **Configure ()** function is used to do the following:

- Initialize and start this instance of the EFI UDPv4 Protocol.
- Change the filtering rules and operational parameters.
- Reset this instance of the EFI UDPv4 Protocol.

Until these parameters are initialized, no network traffic can be sent or received by this instance. This instance can be also reset by calling **Configure ()** with *UdpConfigData* set to **NULL**. Once reset, the receiving queue and transmitting queue are flushed and no traffic is allowed through this instance.

With different parameters in *UdpConfigData*, **Configure ()** can be used to bind this instance to specified port.

## Status Codes Returned

EFI_SUCCESS	The configuration settings were set, changed, or reset successfully.
EFI_NO_MAPPING	When using a default address, configuration (DHCP, BOOTP, RARP, etc.) is not finished yet.
EFI_INVALID_PARAMETER	One or more following conditions are <b>TRUE</b> : <ul style="list-style-type: none"> <li>• <i>This</i> is <b>NULL</b>.</li> <li>• <i>UdpConfigData.StationAddress</i> is not a valid unicast IPv4 address.</li> <li>• <i>UdpConfigData.SubnetMask</i> is not a valid IPv4 address mask. The subnet mask must be contiguous.</li> <li>• <i>UdpConfigData.RemoteAddress</i> is not a valid unicast IPv4 address if it is not zero.</li> </ul>
EFI_ALREADY_STARTED	The EFI UDPv4 Protocol instance is already started/configured and must be stopped/reset before it can be reconfigured. Only <i>TypeOfService</i> , <i>TimeToLive</i> , <i>DoNotFragment</i> , <i>ReceiveTimeout</i> , and <i>TransmitTimeout</i> can be reconfigured without stopping the current instance of the EFI UDPv4 Protocol.
EFI_ACCESS_DENIED	<i>UdpConfigData.AllowDuplicatePort</i> is <b>FALSE</b> and <i>UdpConfigData.StationPort</i> is already used by other instance.
EFI_OUT_OF_RESOURCES	The EFI UDPv4 Protocol driver cannot allocate memory for this EFI UDPv4 Protocol instance.
EFI_DEVICE_ERROR	An unexpected network or system error occurred and this instance was not opened.

## EFI\_UDP4\_PROTOCOL.Groups()

### Summary

Joins and leaves multicast groups.

### Prototype

```
typedef
EFI_STATUS
(EFI_API *EFI_UDP4_GROUPS) (
    IN EFI_UDP4_PROTOCOL *This,
    IN BOOLEAN             JoinFlag,
    IN EFI_IPv4_ADDRESS    *MulticastAddress    OPTIONAL
);
```

### Parameters

<i>This</i>	Pointer to the <b>EFI_UDP4_PROTOCOL</b> instance.
<i>JoinFlag</i>	Set to <b>TRUE</b> to join a multicast group. Set to <b>FALSE</b> to leave one or all multicast groups.
<i>MulticastAddress</i>	Pointer to multicast group address to join or leave.

### Description

The **Groups ()** function is used to enable and disable the multicast group filtering.

If the *JoinFlag* is **FALSE** and the *MulticastAddress* is **NULL**, then all currently joined groups are left.

## Status Codes Returned

EFI_SUCCESS	The operation completed successfully.
EFI_NOT_STARTED	The EFI UDPv4 Protocol instance has not been started.
EFI_NO_MAPPING	When using a default address, configuration (DHCP, BOOTP, RARP, etc.) is not finished yet.
EFI_OUT_OF_RESOURCES	Could not allocate resources to join the group.
EFI_INVALID_PARAMETER	One or more of the following conditions is <b>TRUE</b> : <ul style="list-style-type: none"><li>• <i>This</i> is <b>NULL</b>.</li><li>• <i>JoinFlag</i> is <b>TRUE</b> and <i>MulticastAddress</i> is <b>NULL</b>.</li><li>• <i>JoinFlag</i> is <b>TRUE</b> and <i>*MulticastAddress</i> is not a valid multicast address.</li></ul>
EFI_ALREADY_STARTED	The group address is already in the group table (when <i>JoinFlag</i> is <b>TRUE</b> ).
EFI_NOT_FOUND	The group address is not in the group table (when <i>JoinFlag</i> is <b>FALSE</b> ).
EFI_DEVICE_ERROR	An unexpected system or network error occurred.



## EFI\_UDP4\_PROTOCOL.Routes()

### Summary

Adds and deletes routing table entries.

### Prototype

```
typedef
EFI_STATUS
(EFI_API *EFI_UDP4_ROUTES) (
    IN EFI_UDP4_PROTOCOL    *This,
    IN BOOLEAN              DeleteRoute,
    IN EFI_IPv4_ADDRESS     *SubnetAddress,
    IN EFI_IPv4_ADDRESS     *SubnetMask,
    IN EFI_IPv4_ADDRESS     *GatewayAddress
);
```

### Parameters

<i>This</i>	Pointer to the <b>EFI_UDP4_PROTOCOL</b> instance.
<i>DeleteRoute</i>	Set to <b>TRUE</b> to delete this route from the routing table. Set to <b>FALSE</b> to add this route to the routing table. <i>DestinationAddress</i> and <i>SubnetMask</i> are used as the key to each route entry.
<i>SubnetAddress</i>	The destination network address that needs to be routed.
<i>SubnetMask</i>	The subnet mask of <i>SubnetAddress</i> .
<i>GatewayAddress</i>	The gateway IP address for this route.

### Description

The **Routes ()** function adds a route to or deletes a route from the routing table.

Routes are determined by comparing the *SubnetAddress* with the destination IP address and arithmetically **AND**-ing it with the *SubnetMask*. The gateway address must be on the same subnet as the configured station address.

The default route is added with *SubnetAddress* and *SubnetMask* both set to 0.0.0.0. The default route matches all destination IP addresses that do not match any other routes.

A zero *GatewayAddress* is a nonroute. Packets are sent to the destination IP address if it can be found in the Address Resolution Protocol (ARP) cache or on the local subnet. One automatic nonroute entry will be inserted into the routing table for outgoing packets that are addressed to a local subnet (gateway address of 0.0.0.0).

Each instance of the EFI UDPv4 Protocol has its own independent routing table. Instances of the EFI UDPv4 Protocol that use the default IP address will also have copies of the routing table provided by the **EFI\_IP4\_CONFIG\_PROTOCOL**. These copies will be updated automatically whenever the IP driver reconfigures its instances; as a result, the previous modification to these copies will be lost.

## NOTE

---

*There is no way to set up routes to other network interface cards (NICs) because each NIC has its own independent network stack that shares information only through **EFI UDP4 Variable**.*

---

## Status Codes Returned

EFI_SUCCESS	The operation completed successfully.
EFI_NOT_STARTED	The EFI UDPv4 Protocol instance has not been started.
EFI_NO_MAPPING	When using a default address, configuration (DHCP, BOOTP, RARP, etc.) is not finished yet.
EFI_INVALID_PARAMETER	One or more of the following conditions is <b>TRUE</b> : <ul style="list-style-type: none"> <li>• <i>This</i> is <b>NULL</b>.</li> <li>• <i>SubnetAddress</i> is <b>NULL</b>.</li> <li>• <i>SubnetMask</i> is <b>NULL</b>.</li> <li>• <i>GatewayAddress</i> is <b>NULL</b>.</li> <li>• *<i>SubnetAddress</i> is not a valid subnet address.</li> <li>• *<i>SubnetMask</i> is not a valid subnet mask.</li> <li>• *<i>GatewayAddress</i> is not a valid unicast IP address.</li> </ul>
EFI_OUT_OF_RESOURCES	Could not add the entry to the routing table.
EFI_NOT_FOUND	This route is not in the routing table.
EFI_ACCESS_DENIED	The route is already defined in the routing table.

## EFI\_UDP4\_PROTOCOL.Transmit()

### Summary

Queues outgoing data packets into the transmit queue.

### Prototype

```
typedef
EFI_STATUS
(EFI_API *EFI_UDP4_TRANSMIT) (
    IN EFI_UDP4_PROTOCOL           *This,
    IN EFI_UDP4_COMPLETION_TOKEN  *Token
);
```

### Parameters

<i>This</i>	Pointer to the <b>EFI_UDP4_PROTOCOL</b> instance.
<i>Token</i>	Pointer to the completion token that will be placed into the transmit queue. Type <b>EFI_UDP4_COMPLETION_TOKEN</b> is defined in “Related Definitions” below.

### Description

The **Transmit()** function places a sending request to this instance of the EFI UDPv4 Protocol, alongside the transmit data that was filled by the user. Whenever the packet in the token is sent out or some errors occur, the *Token.Event* will be signaled and *Token.Status* is updated. Providing a proper notification function and context for the event will enable the user to receive the notification and transmitting status.

### Related Definitions

```
/**
// *****
// EFI_UDP4_COMPLETION_TOKEN
// *****
typedef struct {
    EFI_EVENT           Event;
    EFI_STATUS         Status;
    union {
        EFI_UDP4_RECEIVE_DATA  *RxData;
        EFI_UDP4_TRANSMIT_DATA *TxData;
    } Packet;
} EFI_UDP4_COMPLETION_TOKEN;
```

*Event* This *Event* will be signaled after the *Status* field is updated by the EFI UDPv4 Protocol driver. The type of *Event* must be **EVT\_NOTIFY\_SIGNAL**. The Task Priority Level (TPL) of *Event* must be lower than or equal to **TPL\_CALLBACK**.

*Status* Will be set to one of the following values:

**EFI\_SUCCESS:** The receive or transmit operation completed successfully.

**EFI\_ABORTED:** The receive or transmit was aborted.

**EFI\_TIMEOUT:** The transmit timeout expired.

**EFI\_NETWORK\_UNREACHABLE:**  
The destination network is unreachable. RxData is set to NULL in this situation.

**EFI\_HOST\_UNREACHABLE:**  
The destination host is unreachable. RxData is set to NULL in this situation.

**EFI\_PROTOCOL\_UNREACHABLE:**  
The UDP protocol is unsupported in the remote system. RxData is set to NULL in this situation.

**EFI\_PORT\_UNREACHABLE:**  
No service is listening on the remote port. RxData is set to NULL in this situation.

**EFI\_ICMP\_ERROR:** Some other Internet Control Message Protocol (ICMP) error report was received. For example, packets are being sent too fast for the destination to receive them and the destination sent an ICMP source quench report. RxData is set to NULL in this situation.

**EFI\_DEVICE\_ERROR:**  
An unexpected system or network error occurred.

*RxData* When this token is used for receiving, *RxData* is a pointer to **EFI\_UDP4\_RECEIVE\_DATA**. Type **EFI\_UDP4\_RECEIVE\_DATA** is defined below.

*TxData* When this token is used for transmitting, *TxData* is a pointer to **EFI\_UDP4\_TRANSMIT\_DATA**. Type **EFI\_UDP4\_TRANSMIT\_DATA** is defined below.

The **EFI\_UDP4\_COMPLETION\_TOKEN** structures are used for both transmit and receive operations.

When used for transmitting, the *Event* and *TxData* fields must be filled in by the EFI UDPv4 Protocol client. After the transmit operation completes, the *Status* field is updated by the EFI UDPv4 Protocol and the *Event* is signaled.

When used for receiving, only the *Event* field must be filled in by the EFI UDPv4 Protocol client. After a packet is received, *RxData* and *Status* are filled in by the EFI UDPv4 Protocol and the *Event* is signaled.

The ICMP related status codes filled in *Status* are defined as follows:

```

//*****
// UDP4 Token Status definition
//*****
#define EFI_NETWORK_UNREACHABLE    EFIERR(100)
#define EFI_HOST_UNREACHABLE       EFIERR(101)
#define EFI_PROTOCOL_UNREACHABLE   EFIERR(102)
#define EFI_PORT_UNREACHABLE       EFIERR(103)

//*****
// EFI_UDP4_RECEIVE_DATA
//*****
typedef struct {
    EFI_TIME                TimeStamp;
    EFI_EVENT               RecycleSignal;
    EFI_UDP4_SESSION_DATA  UdpSession;
    UINT32                  DataLength;
    UINT32                  FragmentCount;
    EFI_UDP4_FRAGMENT_DATA  FragmentTable[1];
} EFI_UDP4_RECEIVE_DATA;

```

<i>TimeStamp</i>	Time when the EFI UDPv4 Protocol accepted the packet.
<i>RecycleSignal</i>	Indicates the event to signal when the received data has been processed.
<i>UdpSession</i>	The UDP session data including <i>SourceAddress</i> , <i>SourcePort</i> , <i>DestinationAddress</i> , and <i>DestinationPort</i> . Type <b>EFI_UDP4_SESSION_DATA</b> is defined below.
<i>DataLength</i>	The sum of the fragment data length.
<i>FragmentCount</i>	Number of fragments. May be zero.
<i>FragmentTable</i>	Array of fragment descriptors. IP and UDP headers are included in these buffers if <i>ConfigData.RawData</i> is <b>TRUE</b> . Otherwise they are stripped. May be zero. Type <b>EFI_UDP4_FRAGMENT_DATA</b> is defined below.

**EFI\_UDP4\_RECEIVE\_DATA** is filled by the EFI UDPv4 Protocol driver when this EFI UDPv4 Protocol instance receives an incoming packet. If there is a waiting token for incoming packets, the *CompletionToken.Packet.RxData* field is updated to this incoming packet and the *CompletionToken.Event* is signaled. The EFI UDPv4 Protocol client must signal the *RecycleSignal* after processing the packet.

*FragmentTable* could contain multiple buffers that are not in the continuous memory locations. The EFI UDPv4 Protocol client might need to combine two or more buffers in *FragmentTable* to form their own protocol header.

```
/**
//*****
// EFI_UDP4_SESSION_DATA
//*****
typedef struct {
    EFI_IPv4_ADDRESS    SourceAddress;
    UINT16              SourcePort;
    EFI_IPv4_ADDRESS    DestinationAddress;
    UINT16              DestinationPort;
} EFI_UDP4_SESSION_DATA;
```

*SourceAddress*            Address from which this packet is sent. If this field is set to zero when sending packets, the address that is assigned in **EFI\_UDP4\_PROTOCOL.Configure()** is used.

*SourcePort*             Port from which this packet is sent. It is in host byte order. If this field is set to zero when sending packets, the port that is assigned in **EFI\_UDP4\_PROTOCOL.Configure()** is used. If this field is set to zero and unbound, a call to **EFI\_UDP4\_PROTOCOL.Transmit()** will fail.

*DestinationAddress*    Address to which this packet is sent.

*DestinationPort*       Port to which this packet is sent. It is in host byte order. If this field is set to zero and unconnected, the call to **EFI\_UDP4\_PROTOCOL.Transmit()** will fail.

The **EFI\_UDP4\_SESSION\_DATA** is used to retrieve the settings when receiving packets or to override the existing settings of this EFI UDPv4 Protocol instance when sending packets.

```
/**
//*****
// EFI_UDP4_FRAGMENT_DATA
//*****
typedef struct {
    UINT32              FragmentLength;
    VOID                *FragmentBuffer;
} EFI_UDP4_FRAGMENT_DATA;
```

*FragmentLength*        Length of the fragment data buffer.

*FragmentBuffer*        Pointer to the fragment data buffer.

**EFI\_UDP4\_FRAGMENT\_DATA** allows multiple receive or transmit buffers to be specified. The purpose of this structure is to avoid copying the same packet multiple times.

```
//*****  
// EFI_UDP4_TRANSMIT_DATA  
//*****  
typedef struct {  
    EFI_UDP4_SESSION_DATA      *UdpSessionData      OPTIONAL;  
    EFI_IPv4_ADDRESS           *GatewayAddress       OPTIONAL;  
    UINT32                     DataLength;  
    UINT32                     FragmentCount;  
    EFI_UDP4_FRAGMENT_DATA     FragmentTable[1];  
} EFI_UDP4_TRANSMIT_DATA;
```

<i>UdpSessionData</i>	If not <b>NULL</b> , the data that is used to override the transmitting settings. Type <b>EFI_UDP4_SESSION_DATA</b> is defined above.
<i>GatewayAddress</i>	The next-hop address to override the setting from the routing table.
<i>DataLength</i>	Sum of the fragment data length. Must not exceed the maximum UDP packet size.
<i>FragmentCount</i>	Number of fragments.
<i>FragmentTable</i>	Array of fragment descriptors. Type <b>EFI_UDP4_FRAGMENT_DATA</b> is defined above.

The EFI UDPv4 Protocol client must fill this data structure before sending a packet. The packet may contain multiple buffers that may be not in a continuous memory location.

## Status Codes Returned

EFI_SUCCESS	The data has been queued for transmission.
EFI_NOT_STARTED	This EFI UDPv4 Protocol instance has not been started.
EFI_NO_MAPPING	When using a default address, configuration (DHCP, BOOTP, RARP, etc.) is not finished yet.
EFI_INVALID_PARAMETER	<p>One or more of the following are <b>TRUE</b>:</p> <ul style="list-style-type: none"> <li>• <i>This</i> is <b>NULL</b>.</li> <li>• <i>Token</i> is <b>NULL</b>.</li> <li>• <i>Token.Event</i> is <b>NULL</b>.</li> <li>• <i>Token.Packet.TxData</i> is <b>NULL</b>.</li> <li>• <i>Token.Packet.TxData.FragmentCount</i> is zero.</li> <li>• <i>Token.Packet.TxData.DataLength</i> is not equal to the sum of fragment lengths.</li> <li>• One or more of the <i>Token.Packet.TxData.FragmentTable[] . FragmentLength</i> fields is zero.</li> <li>• One or more of the <i>Token.Packet.TxData.FragmentTable[] . FragmentBuffer</i> fields is <b>NULL</b>.</li> <li>• <i>Token.Packet.TxData.GatewayAddress</i> is not a unicast IPv4 address if it is not <b>NULL</b>.</li> <li>• One or more IPv4 addresses in <i>Token.Packet.TxData.UdpSessionData</i> are not valid unicast IPv4 addresses if the <i>UdpSessionData</i> is not <b>NULL</b>.</li> </ul>
EFI_ACCESS_DENIED	The transmit completion token with the same <i>Token.Event</i> was already in the transmit queue.
EFI_NOT_READY	The completion token could not be queued because the transmit queue is full.
EFI_OUT_OF_RESOURCES	Could not queue the transmit data.
EFI_NOT_FOUND	There is no route to the destination network or address.
EFI_BAD_BUFFER_SIZE	The data length is greater than the maximum UDP packet size. Or the length of the IP header + UDP header + data length is greater than MTU if <i>DoNotFragment</i> is <b>TRUE</b> .



## EFI\_UDP4\_PROTOCOL.Receive()

### Summary

Places an asynchronous receive request into the receiving queue.

### Prototype

```
typedef
EFI_STATUS
(EFIAPI *EFI_UDP4_RECEIVE) (
    IN EFI_UDP4_PROTOCOL           *This,
    IN EFI_UDP4_COMPLETION_TOKEN  *Token
);
```

### Parameters

<i>This</i>	Pointer to the <b>EFI_UDP4_PROTOCOL</b> instance.
<i>Token</i>	Pointer to a token that is associated with the receive data descriptor. Type <b>EFI_UDP4_COMPLETION_TOKEN</b> is defined in <b>EFI_UDP4_PROTOCOL.Transmit()</b> .

### Description

The **Receive()** function places a completion token into the receive packet queue. This function is always asynchronous.

The caller must fill in the *Token.Event* field in the completion token, and this field cannot be **NULL**. When the receive operation completes, the EFI UDPv4 Protocol driver updates the *Token.Status* and *Token.Packet.RxData* fields and the *Token.Event* is signaled. Providing a proper notification function and context for the event will enable the user to receive the notification and receiving status. That notification function is guaranteed to not be re-entered.

## Status Codes Returned

EFI_SUCCESS	The receive completion token was cached.
EFI_NOT_STARTED	This EFI UDPv4 Protocol instance has not been started.
EFI_NO_MAPPING	When using a default address, configuration (DHCP, BOOTP, RARP, etc.) is not finished yet.
EFI_INVALID_PARAMETER	One or more of the following conditions is <b>TRUE</b> : <ul style="list-style-type: none"><li>• <i>This</i> is <b>NULL</b>.</li><li>• <i>Token</i> is <b>NULL</b>.</li><li>• <i>Token.Event</i> is <b>NULL</b>.</li></ul>
EFI_OUT_OF_RESOURCES	The receive completion token could not be queued due to a lack of system resources (usually memory).
EFI_DEVICE_ERROR	An unexpected system or network error occurred. The EFI UDPv4 Protocol instance has been reset to startup defaults.
EFI_ACCESS_DENIED	A receive completion token with the same <i>Token.Event</i> was already in the receive queue.
EFI_NOT_READY	The receive request could not be queued because the receive queue is full.

## EFI\_UDP4\_PROTOCOL.Cancel()

### Summary

Aborts an asynchronous transmit or receive request.

### Prototype

```
typedef
EFI_STATUS
(EFIAPI *EFI_UDP4_CANCEL) (
    IN EFI_UDP4_PROTOCOL           *This,
    IN EFI_UDP4_COMPLETION_TOKEN  *Token    OPTIONAL
);
```

### Parameters

*This* Pointer to the **EFI\_UDP4\_PROTOCOL** instance.

*Token* Pointer to a token that has been issued by **EFI\_UDP4\_PROTOCOL.Transmit()** or **EFI\_UDP4\_PROTOCOL.Receive()**. If **NULL**, all pending tokens are aborted. Type **EFI\_UDP4\_COMPLETION\_TOKEN** is defined in **EFI\_UDP4\_PROTOCOL.Transmit()**.

### Description

The **Cancel()** function is used to abort a pending transmit or receive request. If the token is in the transmit or receive request queues, after calling this function, *Token.Status* will be set to **EFI\_ABORTED** and then *Token.Event* will be signaled. If the token is not in one of the queues, which usually means that the asynchronous operation has completed, this function will not signal the token and **EFI\_NOT\_FOUND** is returned.

### Status Codes Returned

EFI_SUCCESS	The asynchronous I/O request was aborted and <i>Token.Event</i> was signaled. When <i>Token</i> is <b>NULL</b> , all pending requests are aborted and their events are signaled.
EFI_INVALID_PARAMETER	<i>This</i> is <b>NULL</b> .
EFI_NOT_STARTED	This instance has not been started.
EFI_NO_MAPPING	When using the default address, configuration (DHCP, BOOTP, RARP, etc.) is not finished yet.
EFI_NOT_FOUND	When <i>Token</i> is not <b>NULL</b> , the asynchronous I/O request was not found in the transmit or receive queue. It has either completed or was not issued by <b>Transmit()</b> and <b>Receive()</b> .

## EFI\_UDP4\_PROTOCOL.Poll()

### Summary

Polls for incoming data packets and processes outgoing data packets.

### Prototype

```
typedef
EFI_STATUS
(EFI_API *EFI_UDP4_POLL) (
    IN EFI_UDP4_PROTOCOL          *This
);
```

### Parameters

*This* Pointer to the **EFI\_UDP4\_PROTOCOL** instance.

### Description

The **Poll()** function can be used by network drivers and applications to increase the rate that data packets are moved between the communications device and the transmit and receive queues.

In some systems, the periodic timer event in the managed network driver may not poll the underlying communications device fast enough to transmit and/or receive all data packets without missing incoming packets or dropping outgoing packets. Drivers and applications that are experiencing packet loss should try calling the **Poll()** function more often.

### Status Codes Returned

EFI_SUCCESS	Incoming or outgoing data was processed.
EFI_INVALID_PARAMETER	<i>This</i> is <b>NULL</b> .
EFI_DEVICE_ERROR	An unexpected system or network error occurred.
EFI_TIMEOUT	Data was dropped out of the transmit and/or receive queue. Consider increasing the polling rate.

## 24.2 EFI MTFTPv4 Protocol

This section defines the EFI MTFTPv4 Protocol interface that is built upon the EFI UDPv4 Protocol.

### EFI\_MTFTP4\_SERVICE\_BINDING\_PROTOCOL

#### Summary

The EFI MTFTPv4 Service Binding Protocol is used to locate communication devices that are supported by an EFI MTFTPv4 Protocol driver and to create and destroy instances of the EFI MTFTPv4 Protocol child protocol driver that can use the underlying communications device.

#### GUID

```
#define EFI_MTFTP4_SERVICE_BINDING_PROTOCOL_GUID \
    {0x2E800BE, 0x8F01, 0x4aa6, 0x946B, 0xD7, 0x13, 0x88, 0xE1, 0x83, 0x3F}
```

#### Description

A network application or driver that requires MTFTPv4 I/O services can use one of the protocol handler services, such as **BS->LocateHandleBuffer()**, to search for devices that publish an EFI MTFTPv4 Service Binding Protocol GUID. Each device with a published EFI MTFTPv4 Service Binding Protocol GUID supports the EFI MTFTPv4 Protocol service and may be available for use.

After a successful call to the **EFI\_MTFTP4\_SERVICE\_BINDING\_PROTOCOL.CreateChild()** function, the newly created child EFI MTFTPv4 Protocol driver instance is in an unconfigured state; it is not ready to transfer data.

Before a network application terminates execution, every successful call to the **EFI\_MTFTP4\_SERVICE\_BINDING\_PROTOCOL.CreateChild()** function must be matched with a call to the **EFI\_MTFTP4\_SERVICE\_BINDING\_PROTOCOL.DestroyChild()** function.

Each instance of the EFI MTFTPv4 Protocol driver can support one file transfer operation at a time. To download two files at the same time, two instances of the EFI MTFTPv4 Protocol driver will need to be created.

## EFI\_MTFFTP4\_PROTOCOL

### Summary

The EFI MTFFTPv4 Protocol provides basic services for client-side unicast and/or multicast TFTP operations.

### GUID

```
#define EFI_MTFFTP4_PROTOCOL_GUID \
{0x3ad9df29,0x4501,0x478d,0xb1f8,0x7f,0x7f,0xe7,0x0e,0x50,0xf3}
```

### Protocol Interface Structure

```
typedef struct _EFI_MTFFTP4_PROTOCOL {
    EFI_MTFFTP4_GET_MODE_DATA    GetModeData;
    EFI_MTFFTP4_CONFIGURE        Configure;
    EFI_MTFFTP4_GET_INFO         GetInfo;
    EFI_MTFFTP4_PARSE_OPTIONS    ParseOptions;
    EFI_MTFFTP4_READ_FILE        ReadFile;
    EFI_MTFFTP4_WRITE_FILE       WriteFile;
    EFI_MTFFTP4_READ_DIRECTORY   ReadDirectory;
    EFI_MTFFTP4_POLL             Poll;
} EFI_MTFFTP4_PROTOCOL;
```

### Parameters

<i>GetModeData</i>	Reads the current operational settings. See the <b>GetModeData()</b> function description.
<i>Configure</i>	Initializes, changes, or resets the operational settings for this instance of the EFI MTFFTPv4 Protocol driver. See the <b>Configure()</b> function description.
<i>GetInfo</i>	Retrieves information about a file from an MTFFTPv4 server. See the <b>GetInfo()</b> function description.
<i>ParseOptions</i>	Parses the options in an MTFFTPv4 OACK (options acknowledgement) packet. See the <b>ParseOptions()</b> function description.
<i>ReadFile</i>	Downloads a file from an MTFFTPv4 server. See the <b>ReadFile()</b> function description.
<i>WriteFile</i>	Uploads a file to an MTFFTPv4 server. This function may be unsupported in some EFI implementations. See the <b>WriteFile()</b> function description.

*ReadDirectory*

Downloads a related file “directory” from an MTFTPv4 server. This function may be unsupported in some EFI implementations. See the **ReadDirectory ()** function description.

*Poll*

Polls for incoming data packets and processes outgoing data packets. See the **Poll ()** function description.

## **Description**

The **EFI\_MTFTP4\_PROTOCOL** is designed to be used by UEFI drivers and applications to transmit and receive data files. The EFI MTFTPv4 Protocol driver uses the underlying EFI UDPv4 Protocol driver and EFI IPv4 Protocol driver.

## EFI\_MTFFTP4\_PROTOCOL.GetModeData()

### Summary

Reads the current operational settings.

### Prototype

```
typedef
EFI_STATUS
(EFIAPI *EFI_MTFFTP4_GET_MODE_DATA) (
    IN EFI_MTFFTP4_PROTOCOL      *This,
    OUT EFI_MTFFTP4_MODE_DATA    *ModeData
);
```

### Parameters

<i>This</i>	Pointer to the <b>EFI_MTFFTP4_PROTOCOL</b> instance.
<i>ModeData</i>	Pointer to storage for the EFI MTFFTPv4 Protocol driver mode data. Type <b>EFI_MTFFTP4_MODE_DATA</b> is defined in “Related Definitions” below.

### Description

The **GetModeData()** function reads the current operational settings of this EFI MTFFTPv4 Protocol driver instance.

### Related Definitions

```
/**
//*****
// EFI_MTFFTP4_MODE_DATA
//*****
typedef struct {
    EFI_MTFFTP4_CONFIG_DATA    ConfigData;
    UINT8                      SupportedOptionCount;
    UINT8                      **SupportedOptions;
    UINT8                      UnsupportedOptionCount;
    UINT8                      **UnsupportedOptions;
} EFI_MTFFTP4_MODE_DATA;
```

<i>ConfigData</i>	The configuration data of this instance. Type <b>EFI_MTFFTP4_CONFIG_DATA</b> is defined below.
-------------------	--

<i>SupportedOptionCount</i>	The number of option strings in the following <i>SupportedOptions</i> array.
-----------------------------	--



*SupportedOptions* An array of option strings that are recognized and supported by this EFI MTFTPv4 Protocol driver implementation.

*UnsupportedOptionCount* The number of option strings in the following *UnsupportedOptions* array.

*UnsupportedOptions* An array of option strings that are recognized but are not supported by this EFI MTFTPv4 Protocol driver implementation.

The **EFI\_MTFTP4\_MODE\_DATA** structure describes the operational state of this instance.

```
/**
//*****
// EFI_MTFTP4_CONFIG_DATA
//*****
typedef struct {
    BOOLEAN                UseDefaultSetting;
    EFI_IPv4_ADDRESS       StationIp;
    EFI_IPv4_ADDRESS       SubnetMask;
    UINT16                 LocalPort;
    EFI_IPv4_ADDRESS       GatewayIp;
    EFI_IPv4_ADDRESS       ServerIp;
    UINT16                 InitialServerPort;
    UINT16                 TryCount;
    UINT16                 TimeoutValue;
} EFI_MTFTP4_CONFIG_DATA;
```

*UseDefaultSetting* Set to **TRUE** to use the default station address/subnet mask and the default route table information.

*StationIp* If *UseDefaultSetting* is **FALSE**, indicates the station address to use.

*SubnetMask* If *UseDefaultSetting* is **FALSE**, indicates the subnet mask to use.

*LocalPort* Local port number. Set to zero to use the automatically assigned port number.

*GatewayIp* if *UseDefaultSetting* is **FALSE**, indicates the gateway IP address to use.

*ServerIp* The IP address of the MTFTPv4 server.

*InitialServerPort* The initial MTFTPv4 server port number. Request packets are sent to this port. This number is almost always 69 and using zero defaults to 69.

*TryCount* The number of times to transmit MTFTPv4 request packets and wait for a response.

*TimeoutValue* The number of seconds to wait for a response after sending the MTFTPv4 request packet.

The **EFI\_MTFTP4\_CONFIG\_DATA** structure is used to report and change MTFTPv4 session parameters.

## Status Codes Returned

EFI_SUCCESS	The configuration data was successfully returned.
EFI_OUT_OF_RESOURCES	The required mode data could not be allocated.
EFI_INVALID_PARAMETER	<i>This</i> is <b>NULL</b> or <i>ModeData</i> is <b>NULL</b> .

## EFI\_MTFTP4\_PROTOCOL.Configure()

### Summary

Initializes, changes, or resets the default operational setting for this EFI MTFTPv4 Protocol driver instance.

### Prototype

```
typedef
EFI_STATUS
(EFIAPI *EFI_MTFTP4_CONFIGURE) (
    IN EFI_MTFTP4_PROTOCOL      *This,
    IN EFI_MTFTP4_CONFIG_DATA   *MtftpConfigData  OPTIONAL
);
```

### Parameters

<i>This</i>	Pointer to the <b>EFI_MTFTP4_PROTOCOL</b> instance.
<i>MtftpConfigData</i>	Pointer to the configuration data structure. Type <b>EFI_MTFTP4_CONFIG_DATA</b> is defined in <b>EFI_MTFTP4_PROTOCOL.GetModeData()</b> .

### Description

The **Configure()** function is used to set and change the configuration data for this EFI MTFTPv4 Protocol driver instance. The configuration data can be reset to startup defaults by calling **Configure()** with *MtftpConfigData* set to **NULL**. Whenever the instance is reset, any pending operation is aborted. By changing the EFI MTFTPv4 Protocol driver instance configuration data, the client can connect to different MTFTPv4 servers. The configuration parameters in *MtftpConfigData* are used as the default parameters in later MTFTPv4 operations and can be overridden in later operations.

## Status Codes Returned

EFI_SUCCESS	The EFI MTFTPv4 Protocol driver was configured successfully.
EFI_INVALID_PARAMETER	One or more following conditions are <b>TRUE</b> : <ul style="list-style-type: none"> <li>• <i>This</i> is <b>NULL</b>.</li> <li>• <code>MtftpConfigData.UseDefaultSetting</code> is <b>FALSE</b> and <code>MtftpConfigData.StationIp</code> is not a valid IPv4 unicast address.</li> <li>• <code>MtftpCofigData.UseDefaultSetting</code> is <b>FALSE</b> and <code>MtftpConfigData.SubnetMask</code> is invalid.</li> <li>• <code>MtftpCofigData.ServerIp</code> is not a valid IPv4 unicast address.</li> <li>• <code>MtftpConfigData.UseDefaultSetting</code> is <b>FALSE</b> and <code>MtftpConfigData.GatewayIp</code> is not a valid IPv4 unicast address or is not in the same subnet with station address.</li> </ul>
EFI_ACCESS_DENIED	The EFI configuration could not be changed at this time because there is one MTFTP background operation in progress.
EFI_NO_MAPPING	When using a default address, configuration (DHCP, BOOTP, RARP, etc.) has not finished yet.
EFI_UNSUPPORTED	A configuration protocol (DHCP, BOOTP, RARP, etc.) could not be located when clients choose to use the default address settings.
EFI_OUT_OF_RESOURCES	The EFI MTFTPv4 Protocol driver instance data could not be allocated.
EFI_DEVICE_ERROR	An unexpected system or network error occurred. The EFI MTFTPv4 Protocol driver instance is not configured.

## EFI\_MTFFTP4\_PROTOCOL.GetInfo()

### Summary

Gets information about a file from an MTFFTPv4 server.

### Prototype

```
typedef
EFI_STATUS
(EFIAPI *EFI_MTFFTP4_GET_INFO) (
    IN EFI_MTFFTP4_PROTOCOL          *This,
    IN EFI_MTFFTP4_OVERRIDE_DATA    *OverrideData    OPTIONAL,
    IN UINT8                         *Filename,
    IN UINT8                         *ModeStr         OPTIONAL,
    IN UINT8                         *OptionCount,
    IN EFI_MTFFTP4_OPTION            *OptionList     OPTIONAL,
    OUT UINT32                       *PacketLength,
    OUT EFI_MTFFTP4_PACKET           **Packet        OPTIONAL
);
```

### Parameters

<i>This</i>	Pointer to the <b>EFI_MTFFTP4_PROTOCOL</b> instance.
<i>OverrideData</i>	Data that is used to override the existing parameters. If <b>NULL</b> , the default parameters that were set in the <b>EFI_MTFFTP4_PROTOCOL.Configure()</b> function are used. Type <b>EFI_MTFFTP4_OVERRIDE_DATA</b> is defined in “Related Definitions” below.
<i>Filename</i>	Pointer to ASCIIZ file name string.
<i>ModeStr</i>	Pointer to ASCIIZ mode string. If <b>NULL</b> , “octet” will be used.
<i>OptionCount</i>	Number of option/value string pairs in <i>OptionList</i> .
<i>OptionList</i>	Pointer to array of option/value string pairs. Ignored if <i>OptionCount</i> is zero. Type <b>EFI_MTFFTP4_OPTION</b> is defined in “Related Definitions” below.
<i>PacketLength</i>	The number of bytes in the returned packet.
<i>Packet</i>	The pointer to the received packet. This buffer must be freed by the caller. Type <b>EFI_MTFFTP4_PACKET</b> is defined in “Related Definitions” below.

## Description

The **GetInfo()** function assembles an MTFTPv4 request packet with options; sends it to the MTFTPv4 server; and may return an MTFTPv4 OACK, MTFTPv4 ERROR, or ICMP ERROR packet. Retries occur only if no response packets are received from the MTFTPv4 server before the timeout expires.

## Related Definitions

```
//*****  
// EFI_MTFTP_OVERRIDE_DATA  
//*****  
typedef struct {  
    EFI_IPv4_ADDRESS GatewayIp;  
    EFI_IPv4_ADDRESS ServerIp;  
    UINT16           ServerPort;  
    UINT16           TryCount;  
    UINT16           TimeoutValue;  
} EFI_MTFTP4_OVERRIDE_DATA;
```

<i>GatewayIp</i>	IP address of the gateway. If set to 0.0.0.0, the default gateway address that was set by the <b>EFI_MTFTP4_PROTOCOL.Configure()</b> function will not be overridden.
<i>ServerIp</i>	IP address of the MTFTPv4 server. If set to 0.0.0.0, it will use the value that was set by the <b>EFI_MTFTP4_PROTOCOL.Configure()</b> function.
<i>ServerPort</i>	MTFTPv4 server port number. If set to zero, it will use the value that was set by the <b>EFI_MTFTP4_PROTOCOL.Configure()</b> function.
<i>TryCount</i>	Number of times to transmit MTFTPv4 request packets and wait for a response. If set to zero, it will use the value that was set by the <b>EFI_MTFTP4_PROTOCOL.Configure()</b> function.
<i>TimeoutValue</i>	Number of seconds to wait for a response after sending the MTFTPv4 request packet. If set to zero, it will use the value that was set by the <b>EFI_MTFTP4_PROTOCOL.Configure()</b> function.

The `EFI_MTFTP4_OVERRIDE_DATA` structure is used to override the existing parameters that were set by the `EFI_MTFTP4_PROTOCOL.Configure()` function.

```

//*****
// EFI_MTFTP4_OPTION
//*****
typedef struct {
    UINT8          *OptionStr;
    UINT8          *ValueStr;
} EFI_MTFTP4_OPTION;

```

*OptionStr*                      Pointer to the ASCIIZ MTFTPv4 option string.  
*ValueStr*                        Pointer to the ASCIIZ MTFTPv4 value string.

```
#pragma pack(1)
```

```

//*****
// EFI_MTFTP4_PACKET
//*****
typedef union {
    UINT16          OpCode;
    EFI_MTFTP4_REQ_HEADER    Rrq, Wrq;
    EFI_MTFTP4_OACK_HEADER   Oack;
    EFI_MTFTP4_DATA_HEADER   Data;
    EFI_MTFTP4_ACK_HEADER    Ack;
    EFI_MTFTP4_DATA8_HEADER  Data8;
    EFI_MTFTP4_ACK8_HEADER   Ack8;
    EFI_MTFTP4_ERROR_HEADER  Error;
} EFI_MTFTP4_PACKET;

```

```

//*****
// EFI_MTFTP4_REQ_HEADER
//*****
typedef struct {
    UINT16    OpCode;
    UINT8     Filename[1];
} EFI_MTFTP4_REQ_HEADER;

```

```

//*****
// EFI_MTFTP4_OACK_HEADER
//*****
typedef struct {
    UINT16    OpCode;
    UINT8     Data[1];
} EFI_MTFTP4_OACK_HEADER;

//*****
// EFI_MTFTP4_DATA_HEADER
//*****
typedef struct {
    UINT16    OpCode;
    UINT16    Block;
    UINT8     Data[1];
} EFI_MTFTP4_DATA_HEADER;

//*****
// EFI_MTFTP4_ACK_HEADER
//*****
typedef struct {
    UINT16    OpCode;
    UINT16    Block[1];
} EFI_MTFTP4_ACK_HEADER;

//*****
// EFI_MTFTP4_DATA8_HEADER
//*****
typedef struct {
    UINT16    OpCode;
    UINT64    Block;
    UINT8     Data[1];
} EFI_MTFTP4_DATA8_HEADER;

//*****
// EFI_MTFTP4_ACK8_HEADER
//*****
typedef struct {
    UINT16    OpCode;
    UINT64    Block[1];
} EFI_MTFTP4_ACK8_HEADER;

```



```

//*****
// EFI_MTFFTP4_ERROR_HEADER
//*****
typedef struct {
    UINT16    OpCode;
    UINT16    ErrorCode;
    UINT8     ErrorMessage[1];
} EFI_MTFFTP4_ERROR_HEADER;

#pragma pack()

```

Table 163 below describes the parameters that are listed in the MTFFTPv4 packet structure definitions above. All the above structures are byte packed. The pragmas may vary from compiler to compiler. The MTFFTPv4 packet structures are also used by the following functions:

- **EFI\_MTFFTP4\_PROTOCOL.ReadFile()**
- **EFI\_MTFFTP4\_PROTOCOL.WriteFile()**
- **EFI\_MTFFTP4\_PROTOCOL.ReadDirectory()**
- The EFI MTFFTPv4 Protocol packet check callback functions

## BYTE ORDER NOTE

---

*Both incoming and outgoing MTFFTPv4 packets are in network byte order. All other parameters defined in functions or data structures are stored in host byte order.*

---

**Table 163. Descriptions of Parameters in MTFFTPv4 Packet Structures**

Data Structure	Parameter	Description
EFI_MTFFTP4_PACKET	OpCode	Type of packets as defined by the MTFFTPv4 packet opcodes. Opcode values are defined below.
	Rrq, Wrq	Read request or write request packet header. See the description for <b>EFI_MTFFTP4_REQ_HEADER</b> below in this table.
	Oack	Option acknowledge packet header. See the description for <b>EFI_MTFFTP4_OACK_HEADER</b> below in this table.
	Data	Data packet header. See the description for <b>EFI_MTFFTP4_DATA_HEADER</b> below in this table.
	Ack	Acknowledgement packet header. See the description for <b>EFI_MTFFTP4_ACK_HEADER</b> below in this table.

Data Structure	Parameter	Description
	Data8	Data packet header with big block number. See the description for <b>EFI_MTFTP4_DATA8_HEADER</b> below in this table.
	Ack8	Acknowledgement header with big block number. See the description for <b>EFI_MTFTP4_ACK8_HEADER</b> below in this table.
	Error	Error packet header. See the description for <b>EFI_MTFTP4_ERROR_HEADER</b> below in this table.
EFI_MTFTP4_REQ_HEADER	OpCode	For this packet type, <i>OpCode</i> = <b>EFI_MTFTP4_OPCODE_RRQ</b> for a read request or <i>OpCode</i> = <b>EFI_MTFTP4_OPCODE_WRQ</b> for a write request.
	Filename	The file name to be downloaded or uploaded.
EFI_MTFTP4_OACK_HEADER	OpCode	For this packet type, <i>OpCode</i> = <b>EFI_MTFTP4_OPCODE_OACK</b> .
	Data	The option strings in the option acknowledgement packet.
EFI_MTFTP4_DATA_HEADER	OpCode	For this packet type, <i>OpCode</i> = <b>EFI_MTFTP4_OPCODE_DATA</b> .
	Block	Block number of this data packet.
	Data	The content of this data packet.
EFI_MTFTP4_ACK_HEADER	OpCode	For this packet type, <i>OpCode</i> = <b>EFI_MTFTP4_OPCODE_ACK</b> .
	Block	The block number of the data packet that is being acknowledged.
EFI_MTFTP4_DATA8_HEADER	OpCode	For this packet type, <i>OpCode</i> = <b>EFI_MTFTP4_OPCODE_DATA8</b> .
	Block	The block number of data packet.
	Data	The content of this data packet.
EFI_MTFTP4_ACK8_HEADER	OpCode	For this packet type, <i>OpCode</i> = <b>EFI_MTFTP4_OPCODE_ACK8</b> .
	Block	The block number of the data packet that is being acknowledged.
EFI_MTFTP4_ERROR_HEADER	OpCode	For this packet type, <i>OpCode</i> = <b>EFI_MTFTP4_OPCODE_ERROR</b> .
	ErrorCode	The error number as defined by the MTFTPv4 packet error codes. Values for <i>ErrorCode</i> are defined below.
	ErrorMessage	Error message string.

```

//
// MFTFTP Packet OpCodes
//
#define EFI_MFTFTP4_OPCODE_RRQ      1
#define EFI_MFTFTP4_OPCODE_WRQ      2
#define EFI_MFTFTP4_OPCODE_DATA     3
#define EFI_MFTFTP4_OPCODE_ACK      4
#define EFI_MFTFTP4_OPCODE_ERROR    5
#define EFI_MFTFTP4_OPCODE_OACK     6
#define EFI_MFTFTP4_OPCODE_DIR      7
#define EFI_MFTFTP4_OPCODE_DATA8    8
#define EFI_MFTFTP4_OPCODE_ACK8     9

```

Following is a description of the fields in the above definition.

<i>EFI_MFTFTP4_OPCODE_RRQ</i>	The MFTFTPv4 packet is a read request.
<i>EFI_MFTFTP4_OPCODE_WRQ</i>	The MFTFTPv4 packet is a write request.
<i>EFI_MFTFTP4_OPCODE_DATA</i>	The MFTFTPv4 packet is a data packet.
<i>EFI_MFTFTP4_OPCODE_ACK</i>	The MFTFTPv4 packet is an acknowledgement packet.
<i>EFI_MFTFTP4_OPCODE_ERROR</i>	The MFTFTPv4 packet is an error packet.
<i>EFI_MFTFTP4_OPCODE_OACK</i>	The MFTFTPv4 packet is an option acknowledgement packet.
<i>EFI_MFTFTP4_OPCODE_DIR</i>	The MFTFTPv4 packet is a directory query packet.
<i>EFI_MFTFTP4_OPCODE_DATA8</i>	The MFTFTPv4 packet is a data packet with a big block number.
<i>EFI_MFTFTP4_OPCODE_ACK8</i>	The MFTFTPv4 packet is an acknowledgement packet with a big block number.

```

//
// MTFTP ERROR Packet ErrorCodes
//
#define EFI_MTFTP4_ERRORCODE_NOT_DEFINED          0
#define EFI_MTFTP4_ERRORCODE_FILE_NOT_FOUND      1
#define EFI_MTFTP4_ERRORCODE_ACCESS_VIOLATION    2
#define EFI_MTFTP4_ERRORCODE_DISK_FULL          3
#define EFI_MTFTP4_ERRORCODE_ILLEGAL_OPERATION   4
#define EFI_MTFTP4_ERRORCODE_UNKNOWN_TRANSFER_ID 5
#define EFI_MTFTP4_ERRORCODE_FILE_ALREADY_EXISTS 6
#define EFI_MTFTP4_ERRORCODE_NO_SUCH_USER        7
#define EFI_MTFTP4_ERRORCODE_REQUEST_DENIED      8

```

<i>EFI_MTFTP4_ERRORCODE_NOT_DEFINED</i>	The error code is not defined. See the error message in the packet (if any) for details.
<i>EFI_MTFTP4_ERRORCODE_FILE_NOT_FOUND</i>	The file was not found.
<i>EFI_MTFTP4_ERRORCODE_ACCESS_VIOLATION</i>	There was an access violation.
<i>EFI_MTFTP4_ERRORCODE_DISK_FULL</i>	The disk was full or its allocation was exceeded.
<i>EFI_MTFTP4_ERRORCODE_ILLEGAL_OPERATION</i>	The MTFTPv4 operation was illegal.
<i>EFI_MTFTP4_ERRORCODE_UNKNOWN_TRANSFER_ID</i>	The transfer ID is unknown.
<i>EFI_MTFTP4_ERRORCODE_FILE_ALREADY_EXISTS</i>	The file already exists.
<i>EFI_MTFTP4_ERRORCODE_NO_SUCH_USER</i>	There is no such user.
<i>EFI_MTFTP4_ERRORCODE_REQUEST_DENIED</i>	The request has been denied due to option negotiation.

## Status Codes Returned

EFI_SUCCESS	An MTFTPv4 OACK packet was received and is in the <i>Buffer</i> .
EFI_INVALID_PARAMETER	One or more of the following conditions is <b>TRUE</b> : <ul style="list-style-type: none"> <li>• <i>This</i> is <b>NULL</b>.</li> <li>• <i>Filename</i> is <b>NULL</b>.</li> <li>• <i>OptionCount</i> is not zero and <i>OptionList</i> is <b>NULL</b>.</li> <li>• One or more options in <i>OptionList</i> have wrong format.</li> <li>• <i>PacketLength</i> is <b>NULL</b>.</li> <li>• One or more IPv4 addresses in <i>OverrideData</i> are not valid unicast IPv4 addresses if <i>OverrideData</i> is not <b>NULL</b>.</li> </ul>
EFI_UNSUPPORTED	<ul style="list-style-type: none"> <li>• One or more options in the <i>OptionList</i> are in the unsupported list of structure <i>EFI_MTFTP4_MODE_DATA</i>.</li> </ul>
EFI_NOT_STARTED	The EFI MTFTPv4 Protocol driver has not been started.
EFI_NO_MAPPING	When using a default address, configuration (DHCP, BOOTP, RARP, etc.) has not finished yet.
EFI_ACCESS_DENIED	The previous operation has not completed yet.
EFI_OUT_OF_RESOURCES	Required system resources could not be allocated.
EFI_TFTP_ERROR	An MTFTPv4 ERROR packet was received and is in the <i>Buffer</i> .
EFI_ICMP_ERROR	An ICMP ERROR packet was received and is in the <i>Buffer</i> .
EFI_PROTOCOL_ERROR	An unexpected MTFTPv4 packet was received and is in the <i>Buffer</i> .
EFI_TIMEOUT	No responses were received from the MTFTPv4 server.
EFI_DEVICE_ERROR	An unexpected network error or system error occurred.

## EFI\_MTFTP4\_PROTOCOL.ParseOptions()

### Summary

Parses the options in an MTFTPv4 OACK packet.

### Prototype

```
typedef
EFI_STATUS
(EFIAPI *EFI_MTFTP4_PARSE_OPTIONS) (
    IN EFI_MTFTP4_PROTOCOL *This,
    IN UINT32 PacketLen,
    IN EFI_MTFTP4_PACKET *Packet,
    OUT UINT32 *OptionCount,
    OUT EFI_MTFTP4_OPTION **OptionList OPTIONAL
);
```

### Parameters

<i>This</i>	Pointer to the <b>EFI_MTFTP4_PROTOCOL</b> instance.
<i>PacketLen</i>	Length of the OACK packet to be parsed.
<i>Packet</i>	Pointer to the OACK packet to be parsed. Type <b>EFI_MTFTP4_PACKET</b> is defined in <b>EFI_MTFTP4_PROTOCOL.GetInfo()</b> .
<i>OptionCount</i>	Pointer to the number of options in following <i>OptionList</i> .
<i>OptionList</i>	Pointer to <b>EFI_MTFTP4_OPTION</b> storage. Call the EFI Boot Service <b>FreePool()</b> to release each option if they are not needed any more. Type <b>EFI_MTFTP4_OPTION</b> is defined in <b>EFI_MTFTP4_PROTOCOL.GetInfo()</b> .

### Description

The **ParseOptions()** function parses the option fields in an MTFTPv4 OACK packet and returns the number of options that were found and optionally a list of pointers to the options in the packet.

If one or more of the option fields are not valid, then **EFI\_PROTOCOL\_ERROR** is returned and *\*OptionCount* and *\*OptionList* stop at the last valid option.

## Status Codes Returned

EFI_SUCCESS	The OACK packet was valid and the <i>OptionCount</i> and <i>OptionList</i> parameters have been updated.
EFI_INVALID_PARAMETER	One or more of the following conditions is <b>TRUE</b> : <ul style="list-style-type: none"><li>• <i>PacketLen</i> is 0.</li><li>• <i>Packet</i> is <b>NULL</b> or <i>Packet</i> is not a valid MTFTPv4 packet.</li><li>• <i>OptionCount</i> is <b>NULL</b>.</li></ul>
EFI_NOT_FOUND	No options were found in the OACK packet.
EFI_OUT_OF_RESOURCES	Storage for the <i>OptionList</i> array cannot be allocated.
EFI_PROTOCOL_ERROR	One or more of the option fields is invalid.

## EFI\_MTFFTP4\_PROTOCOL.ReadFile()

### Summary

Downloads a file from an MTFFTPv4 server.

### Prototype

```
typedef
EFI_STATUS
(EFIAPI *EFI_MTFFTP4_READ_FILE) (
    IN EFI_MTFFTP4_PROTOCOL          *This,
    IN EFI_MTFFTP4_TOKEN             *Token
);
```

### Parameters

<i>This</i>	Pointer to the <b>EFI_MTFFTP4_PROTOCOL</b> instance.
<i>Token</i>	Pointer to the token structure to provide the parameters that are used in this operation. Type <b>EFI_MTFFTP4_TOKEN</b> is defined in “Related Definitions” below.

### Description

The **ReadFile()** function is used to initialize and start an MTFFTPv4 download process and optionally wait for completion. When the download operation completes, whether successfully or not, the *Token.Status* field is updated by the EFI MTFFTPv4 Protocol driver and then *Token.Event* is signaled (if it is not **NULL**).

Data can be downloaded from the MTFFTPv4 server into either of the following locations:

- A fixed buffer that is pointed to by *Token.Buffer*
- A download service function that is pointed to by *Token.CheckPacket*

If both *Token.Buffer* and *Token.CheckPacket* are used, then *Token.CheckPacket* will be called first. If the call is successful, the packet will be stored in *Token.Buffer*.



## Related Definitions

```

//*****
// EFI_MTFFTP4_TOKEN
//*****
typedef struct {
    OUT EFI_STATUS                Status;
    IN EFI_EVENT                  Event                OPTIONAL;
    IN EFI_MTFFTP4_OVERRIDE_DATA *OverrideData   OPTIONAL;
    IN UINT8                      *Filename;
    IN UINT8                      *ModeStr           OPTIONAL;
    IN UINT32                     OptionCount;
    IN EFI_MTFFTP4_OPTION         *OptionList       OPTIONAL;
    IN OUT UINT64                 BufferSize;
    IN OUT VOID                   *Buffer           OPTIONAL;
    IN EFI_MTFFTP4_CHECK_PACKET   CheckPacket      OPTIONAL;
    IN EFI_MTFFTP4_TIMEOUT_CALLBACK TimeoutCallback  OPTIONAL;
    IN EFI_MTFFTP4_PACKET_NEEDED  PacketNeeded     OPTIONAL;
} EFI_MTFFTP4_TOKEN;

```

*Status* The status that is returned to the caller at the end of the operation to indicate whether this operation completed successfully. Defined *Status* values are listed below.

*Event* The event that will be signaled when the operation completes. If set to **NULL**, the corresponding function will wait until the read or write operation finishes. The type of *Event* must be **EVT\_NOTIFY\_SIGNAL**. The Task Priority Level (TPL) of *Event* must be lower than or equal to **TPL\_CALLBACK**.

*OverrideData* If not **NULL**, the data that will be used to override the existing configure data. Type **EFI\_MTFFTP4\_OVERRIDE\_DATA** is defined in **EFI\_MTFFTP4\_PROTOCOL.GetInfo()**.

*Filename* Pointer to the ASCIIZ file name string.

*ModeStr* Pointer to the ASCIIZ mode string. If **NULL**, “octet” is used.

*OptionCount* Number of option/value string pairs.

*OptionList* Pointer to an array of option/value string pairs. Ignored if *OptionCount* is zero. Both a remote server and this driver implementation should support these options. If one or more options are unrecognized by this implementation, it is sent to the remote server without being changed. Type **EFI\_MTFFTP4\_OPTION** is defined in **EFI\_MTFFTP4\_PROTOCOL.GetInfo()**.

*BufferSize* Size of the data buffer.

<i>Buffer</i>	Pointer to the data buffer. Data that is downloaded from the MTFTPv4 server is stored here. Data that is uploaded to the MTFTPv4 server is read from here. Ignored if <i>BufferSize</i> is zero.
<i>CheckPacket</i>	Pointer to the callback function to check the contents of the received packet. Type <b>EFI_MTFTP4_CHECK_PACKET</b> is defined below.
<i>TimeoutCallback</i>	Pointer to the function to be called when a timeout occurs. Type <b>EFI_MTFTP4_TIMEOUT_CALLBACK</b> is defined below.
<i>PacketNeeded</i>	Pointer to the function to provide the needed packet contents. Only used in <b>WriteFile()</b> operation. Type <b>EFI_MTFTP4_PACKET_NEEDED</b> is defined below.

The **EFI\_MTFTP4\_TOKEN** structure is used for both the MTFTPv4 reading and writing operations. The caller uses this structure to pass parameters and indicate the operation context. After the reading or writing operation completes, the EFI MTFTPv4 Protocol driver updates the *Status* parameter and the *Event* is signaled if it is not **NULL**. The following table lists the status codes that are returned in the *Status* parameter.

### Status Codes Returned in the Status Parameter

EFI_SUCCESS	The data file has been transferred successfully.
EFI_OUT_OF_RESOURCES	Required system resources could not be allocated.
EFI_BUFFER_TOO_SMALL	<i>BufferSize</i> is not large enough to hold the downloaded data in downloading process.
EFI_ABORTED	Current operation is aborted by user.
EFI_ICMP_ERROR	An ICMP ERROR packet was received.
EFI_TIMEOUT	No responses were received from the MTFTPv4 server.
EFI_TFTP_ERROR	An MTFTPv4 ERROR packet was received.
EFI_DEVICE_ERROR	An unexpected network error or system error occurred.

```

//*****
// EFI_MTFFTP4_CHECK_PACKET
//*****
typedef
EFI_STATUS
(EFIAPI *EFI_MTFFTP4_CHECK_PACKET) (
    IN EFI_MTFFTP4_PROTOCOL    *This,
    IN EFI_MTFFTP4_TOKEN       *Token,
    IN UINT16                   PacketLen,
    IN EFI_MTFFTP4_PACKET      *Packet
);

```

*This* Pointer to the **EFI\_MTFFTP4\_PROTOCOL** instance.

*Token* The token that the caller provided in the **EFI\_MTFFTP4\_PROTOCOL.ReadFile()**, **WriteFile()** or **ReadDirectory()** function. Type **EFI\_MTFFTP4\_TOKEN** is defined in **EFI\_MTFFTP4\_PROTOCOL.ReadFile()**.

*PacketLen* Indicates the length of the packet.

*Packet* Pointer to an MTFFTPv4 packet. Type **EFI\_MTFFTP4\_PACKET** is defined in **EFI\_MTFFTP4\_PROTOCOL.GetInfo()**.

**EFI\_MTFFTP4\_CHECK\_PACKET** is a callback function that is provided by the caller to intercept the **EFI\_MTFFTP4\_OPCODE\_DATA** or **EFI\_MTFFTP4\_OPCODE\_DATA8** packets processed in the **EFI\_MTFFTP4\_PROTOCOL.ReadFile()** function, and alternatively to intercept **EFI\_MTFFTP4\_OPCODE\_OACK** or **EFI\_MTFFTP4\_OPCODE\_ERROR** packets during a call to **EFI\_MTFFTP4\_PROTOCOL.ReadFile()**, **WriteFile()** or **ReadDirectory()**. Whenever an MTFFTPv4 packet with the type described above is received from a server, the EFI MTFFTPv4 Protocol driver will call **EFI\_MTFFTP4\_CHECK\_PACKET** function to let the caller have an opportunity to process this packet. Any status code other than **EFI\_SUCCESS** that is returned from this function will abort the transfer process.

```

//*****
// EFI_MTFFTP4_TIMEOUT_CALLBACK
//*****
typedef
EFI_STATUS
(EFIAPI *EFI_MTFFTP4_TIMEOUT_CALLBACK) (
    IN EFI_MTFFTP4_PROTOCOL    *This,
    IN EFI_MTFFTP4_TOKEN       *Token
);

```

*This* Pointer to the **EFI\_MTFFTP4\_PROTOCOL** instance.

*Token* The token that is provided in the **EFI\_MTFFTP4\_PROTOCOL.ReadFile()** or **EFI\_MTFFTP4\_PROTOCOL.WriteFile()** or **EFI\_MTFFTP4\_PROTOCOL.ReadDirectory()** functions by the caller. Type **EFI\_MTFFTP4\_TOKEN** is defined in **EFI\_MTFFTP4\_PROTOCOL.ReadFile()**.

**EFI\_MTFFTP4\_TIMEOUT\_CALLBACK** is a callback function that the caller provides to capture the timeout event in the **EFI\_MTFFTP4\_PROTOCOL.ReadFile()**, **EFI\_MTFFTP4\_PROTOCOL.WriteFile()** or **EFI\_MTFFTP4\_PROTOCOL.ReadDirectory()** functions. Whenever a timeout occurs, the EFI MTFFTPv4 Protocol driver will call the **EFI\_MTFFTP4\_TIMEOUT\_CALLBACK** function to notify the caller of the timeout event. Any status code other than **EFI\_SUCCESS** that is returned from this function will abort the current download process.

```

//*****
// EFI_MTFFTP4_PACKET_NEEDED
//*****
typedef
EFI_STATUS
(EFIAPI *EFI_MTFFTP4_PACKET_NEEDED) (
    IN EFI_MTFFTP4_PROTOCOL    *This,
    IN EFI_MTFFTP4_TOKEN       *Token,
    IN OUT UINT16               *Length,
    OUT VOID                    **Buffer
);

```

*This* Pointer to the **EFI\_MTFFTP4\_PROTOCOL** instance.

*Token* The token provided in the **EFI\_MTFFTP4\_PROTOCOL.WriteFile()** by the caller.

*Length* Indicates the length of the raw data wanted on input, and the length the data available on output.

*Buffer* Pointer to the buffer where the data is stored.

**EFI\_MTFFTP4\_PACKET\_NEEDED** is a callback function that the caller provides to feed data to the **EFI\_MTFFTP4\_PROTOCOL.WriteFile()** function. **EFI\_MTFFTP4\_PACKET\_NEEDED** provides another mechanism for the caller to provide data to upload other than a static buffer. The EFI MTFFTP4 Protocol driver always calls **EFI\_MTFFTP4\_PACKET\_NEEDED** to get packet data from the caller if no static buffer was given in the initial call to **EFI\_MTFFTP4\_PROTOCOL.WriteFile()** function. Setting *\*Length* to zero signals the end of the session. Returning a status code other than **EFI\_SUCCESS** aborts the session.

## Status Codes Returned

EFI_SUCCESS	The data file is being downloaded.
EFI_INVALID_PARAMETER	<p>One or more of the parameters is not valid.</p> <ul style="list-style-type: none"> <li>• <i>This</i> is <b>NULL</b>.</li> <li>• <i>Token</i> is <b>NULL</b>.</li> <li>• <i>Token.FileName</i> is <b>NULL</b>.</li> <li>• <i>Token.OptionCount</i> is not zero and <i>Token.OptionList</i> is <b>NULL</b>.</li> <li>• One or more options in <i>Token.OptionList</i> have wrong format.</li> <li>• <i>Token.Buffer</i> and <i>Token.CheckPacket</i> are both <b>NULL</b>.</li> <li>• One or more IPv4 addresses in <i>Token.OverrideData</i> are not valid unicast IPv4 addresses if <i>Token.OverrideData</i> is not <b>NULL</b>.</li> </ul>
EFI_UNSUPPORTED	<ul style="list-style-type: none"> <li>• One or more options in the <i>Token.OptionList</i> are in the unsupported list of structure <i>EFI_MTFTP4_MODE_DATA</i>.</li> </ul>
EFI_NOT_STARTED	The EFI MTFTPv4 Protocol driver has not been started.
EFI_NO_MAPPING	When using a default address, configuration (DHCP, BOOTP, RARP, etc.) is not finished yet.
EFI_ALREADY_STARTED	This <i>Token</i> is being used in another MTFTPv4 session.
EFI_ACCESS_DENIED	The previous operation has not completed yet.
EFI_OUT_OF_RESOURCES	Required system resources could not be allocated.
EFI_DEVICE_ERROR	An unexpected network error or system error occurred.

## EFI\_MTFTP4\_PROTOCOL.WriteFile()

### Summary

Sends a data file to an MTFTPv4 server. May be unsupported in some EFI implementations.

### Prototype

```
typedef
EFI_STATUS
(EFIAPI *EFI_MTFTP4_WRITE_FILE) (
    IN EFI_MTFTP4_PROTOCOL          *This,
    IN EFI_MTFTP4_TOKEN             *Token
);
```

### Parameters

<i>This</i>	Pointer to the <b>EFI_MTFTP4_PROTOCOL</b> instance.
<i>Token</i>	Pointer to the token structure to provide the parameters that are used in this function. Type <b>EFI_MTFTP4_TOKEN</b> is defined in <b>EFI_MTFTP4_PROTOCOL.ReadFile()</b> .

### Description

The **WriteFile()** function is used to initialize an uploading operation with the given option list and optionally wait for completion. If one or more of the options is not supported by the server, the unsupported options are ignored and a standard TFTP process starts instead. When the upload process completes, whether successfully or not, *Token.Event* is signaled, and the EFI MTFTPv4 Protocol driver updates *Token.Status*.

The caller can supply the data to be uploaded in the following two modes:

- Through the user-provided buffer
- Through a callback function

With the user-provided buffer, the *Token.BufferSize* field indicates the length of the buffer, and the driver will upload the data in the buffer. With an **EFI\_MTFTP4\_PACKET\_NEEDED** callback function, the driver will call this callback function to get more data from the user to upload. See the definition of **EFI\_MTFTP4\_PACKET\_NEEDED** for more information. These two modes cannot be used at the same time. The callback function will be ignored if the user provides the buffer.

## Status Codes Returned

EFI_SUCCESS	The upload session has started.
EFI_UNSUPPORTED	The operation is not supported by this implementation.
EFI_INVALID_PARAMETER	One or more of the following conditions is <b>TRUE</b> : <ul style="list-style-type: none"> <li>• <i>This</i> is <b>NULL</b>.</li> <li>• <i>Token</i> is <b>NULL</b>.</li> <li>• <i>Token.FileName</i> is <b>NULL</b>.</li> <li>• <i>Token.OptionCount</i> is not zero and <i>Token.OptionList</i> is <b>NULL</b>.</li> <li>• One or more options in <i>Token.OptionList</i> have wrong format.</li> <li>• <i>Token.Buffer</i> and <i>Token.PacketNeeded</i> are both <b>NULL</b>.</li> <li>• One or more IPv4 addresses in <i>Token.OverrideData</i> are not valid unicast IPv4 addresses if <i>Token.OverrideData</i> is not <b>NULL</b>.</li> </ul>
EFI_UNSUPPORTED	<ul style="list-style-type: none"> <li>• One or more options in the <i>Token.OptionList</i> are in the unsupported list of structure <i>EFI_MTFTP4_MODE_DATA</i>.</li> </ul>
EFI_NOT_STARTED	The EFI MTFTPv4 Protocol driver has not been started.
EFI_NO_MAPPING	When using a default address, configuration (DHCP, BOOTP, RARP, etc.) is not finished yet.
EFI_ALREADY_STARTED	This <i>Token</i> is already being used in another MTFTPv4 session.
EFI_OUT_OF_RESOURCES	Required system resources could not be allocated.
EFI_ACCESS_DENIED	The previous operation has not completed yet.
EFI_DEVICE_ERROR	An unexpected network error or system error occurred.

## EFI\_MTFFTP4\_PROTOCOL.ReadDirectory()

### Summary

Downloads a data file “directory” from an MTFFTPv4 server. May be unsupported in some EFI implementations.

### Prototype

```
typedef
EFI_STATUS
(EFIAPI *EFI_MTFFTP4_READ_DIRECTORY) (
    IN EFI_MTFFTP4_PROTOCOL          *This,
    IN EFI_MTFFTP4_TOKEN             *Token
);
```

### Parameters

<i>This</i>	Pointer to the <b>EFI_MTFFTP4_PROTOCOL</b> instance.
<i>Token</i>	Pointer to the token structure to provide the parameters that are used in this function. Type <b>EFI_MTFFTP4_TOKEN</b> is defined in <b>EFI_MTFFTP4_PROTOCOL.ReadFile()</b> .

### Description

The **ReadDirectory()** function is used to return a list of files on the MTFFTPv4 server that are logically (or operationally) related to *Token.FileName*. The directory request packet that is sent to the server is built with the option list that was provided by caller, if present.

The file information that the server returns is put into either of the following locations:

- A fixed buffer that is pointed to by *Token.Buffer*
- A download service function that is pointed to by *Token.CheckPacket*

If both *Token.Buffer* and *Token.CheckPacket* are used, then *Token.CheckPacket* will be called first. If the call is successful, the packet will be stored in *Token.Buffer*.

The returned directory listing in the *Token.Buffer* or **EFI\_MTFFTP4\_PACKET** consists of a list of two or three variable-length ASCII strings, each terminated by a null character, for each file in the directory. If the multicast option is involved, the first field of each directory entry is the static multicast IP address and UDP port number that is associated with the file name. The format of the field is **ip:ip:ip:ip:port**. If the multicast option is not involved, this field and its terminating null character are not present.

The next field of each directory entry is the file name and the last field is the file information string. The information string contains the file size and the create/modify timestamp. The format of the information string is **filesize yyyy-mm-dd hh:mm:ss:ffff**. The timestamp is Coordinated Universal Time (UTC; also known as Greenwich Mean Time [GMT]).



## Status Codes Returned

EFI_SUCCESS	The MTFTPv4 related file "directory" has been downloaded.
EFI_UNSUPPORTED	The EFI MTFTPv4 Protocol driver does not support this function.
EFI_INVALID_PARAMETER	One or more of these conditions is <b>TRUE</b> : <ul style="list-style-type: none"> <li>• <i>This</i> is <b>NULL</b>.</li> <li>• <i>Token</i> is <b>NULL</b>.</li> <li>• <i>Token.FileName</i> is <b>NULL</b>.</li> <li>• <i>Token.OptionCount</i> is not zero and <i>Token.OptionList</i> is <b>NULL</b>.</li> <li>• One or more options in <i>Token.OptionList</i> have wrong format.</li> <li>• <i>Token.Buffer</i> and <i>Token.CheckPacket</i> are both <b>NULL</b>.</li> <li>• One or more IPv4 addresses in <i>Token.OverrideData</i> are not valid unicast IPv4 addresses if <i>Token.OverrideData</i> is not <b>NULL</b>.</li> </ul>
EFI_UNSUPPORTED	<ul style="list-style-type: none"> <li>• One or more options in the <i>Token.OptionList</i> are in the unsupported list of structure <i>EFI_MTFTP4_MODE_DATA</i>.</li> </ul>
EFI_NOT_STARTED	The EFI MTFTPv4 Protocol driver has not been started.
EFI_NO_MAPPING	When using a default address, configuration (DHCP, BOOTP, RARP, etc.) is not finished yet.
EFI_ALREADY_STARTED	This <i>Token</i> is already being used in another MTFTPv4 session.
EFI_OUT_OF_RESOURCES	Required system resources could not be allocated.
EFI_ACCESS_DENIED	The previous operation has not completed yet.
EFI_DEVICE_ERROR	An unexpected network error or system error occurred.

## EFI\_MTFTP4\_PROTOCOL.Poll()

### Summary

Polls for incoming data packets and processes outgoing data packets.

### Prototype

```
typedef
EFI_STATUS
(EFI_API *EFI_MTFTP4_POLL) (
    IN EFI_MTFTP4_PROTOCOL          *This
);
```

### Parameters

*This* Pointer to the **EFI\_MTFTP4\_PROTOCOL** instance.

### Description

The **Poll()** function can be used by network drivers and applications to increase the rate that data packets are moved between the communications device and the transmit and receive queues.

In some systems, the periodic timer event in the managed network driver may not poll the underlying communications device fast enough to transmit and/or receive all data packets without missing incoming packets or dropping outgoing packets. Drivers and applications that are experiencing packet loss should try calling the **Poll()** function more often.

### Status Codes Returned

EFI_SUCCESS	Incoming or outgoing data was processed.
EFI_NOT_STARTED	This EFI MTFTPv4 Protocol instance has not been started.
EFI_NO_MAPPING	When using a default address, configuration (DHCP, BOOTP, RARP, etc.) is not finished yet.
EFI_INVALID_PARAMETER	<i>This</i> is <b>NULL</b> .
EFI_DEVICE_ERROR	An unexpected system or network error occurred.
EFI_TIMEOUT	Data was dropped out of the transmit and/or receive queue. Consider increasing the polling rate.

# Security — Secure Boot, Driver Signing and Hash

---

## 25.1 Secure Boot

This protocol is intended to provide access for generic authentication information associated with specific device paths. The authentication information is configurable using the defined interfaces. Successive configuration of the authentication information will overwrite the previously configured information. Once overwritten, the previous authentication information will not be retrievable.

### EFI\_AUTHENTICATION\_INFO\_PROTOCOL

#### Summary

This protocol is used on any device handle to obtain authentication information associated with the physical or logical device.

#### GUID

```
#define EFI_AUTHENTICATION_INFO_PROTOCOL_GUID \
    {0x7671d9d0, 0x53db, 0x4173, 0xaa, 0x69, 0x23, 0x27, 0xf2, 0x1f, \
     0xb, 0xc7}
```

#### Protocol Interface Structure

```
typedef struct _EFI_AUTHENTICATION_INFO_PROTOCOL {

    EFI_AUTHENTICATION_PROTOCOL_INFO_GET      Get;
    EFI_AUTHENTICATION_PROTOCOL_INFO_SET      Set;

} EFI_AUTHENTICATION_INFO_PROTOCOL;
```

#### Parameters

<i>Get</i>	Used to retrieve the Authentication Information associated with the controller handle
<i>Set</i>	Used to set the Authentication information associated with the controller handle

#### Description

The **EFI\_AUTHENTICATION\_INFO\_PROTOCOL** provides the ability to get and set the authentication information associated with the controller handle.

## EFI\_AUTHENTICATION\_INFO\_PROTOCOL.Get()

### Summary

Retrieves the Authentication information associated with a particular controller handle.

### Prototype

```
typedef
EFI_STATUS
(EFIAPI *EFI_AUTHENTICATION_INFO_PROTOCOL_GET) (
    INEFI_AUTHENTICATION_INFO_PROTOCOL      *This,
    INEFI_HANDLE                            *ControllerHandle,
    OUT VOID                                 *Buffer
)
```

### Parameters

*This* Pointer to the **EFI\_AUTHENTICATION\_INFO\_PROTOCOL**

*ControllerHandle* Handle to the Controller

*Buffer* Pointer to the authentication information. This function is responsible for allocating the buffer and it is the caller's responsibility to free buffer when the caller is finished with buffer.

### Description

This function retrieves the Authentication Node for a given controller handle.

### Status Codes Returned

EFI_SUCCESS	Successfully retrieved Authentication information for the given <i>ControllerHandle</i>
EFI_INVALID_PARAMETER	No matching Authentication information found for the given <i>ControllerHandle</i>
EFI_DEVICE_ERROR	The authentication information could not be retrieved due to a hardware error.

## EFI\_AUTHENTICATION\_INFO\_PROTOCOL.Set()

### Summary

Set the Authentication information for a given controller handle.

### Prototype

```
typedef
EFI_STATUS
(EFIAPI *EFI_AUTHENTICATION_INFO_PROTOCOL_SET) {
    IN    EFI_AUTHENTICATION_INFO_PROTOCOL    *This,
    IN    EFI_HANDLE                          *ControllerHandle
    IN    VOID                                *Buffer
}
```

### Parameters

*This* Pointer to the **EFI\_AUTHENTICATION\_INFO\_PROTOCOL**

*ControllerHandle* Handle to the controller.

*Buffer* Pointer to the authentication information.

### Description

This function sets the authentication information for a given controller handle. If the authentication node exists corresponding to the given controller handle this function overwrites the previously present authentication information.

### Status Codes Returned

EFI_SUCCESS	Successfully set the Authentication node information for the given <b>ControllerHandle</b> .
EFI_UNSUPPORTED	If the platform policies do not allow setting of the Authentication information.
EFI_DEVICE_ERROR	The authentication node information could not be configured due to a hardware error.
EFI_OUT_OF_RESOURCES	Not enough storage is available to hold the data.

## Authentication Nodes

The authentication node is associated with specific controller paths. There can be various types of authentication nodes, each describing a particular authentication method and associated properties.

### Generic Authentication Node Structures

An authentication node is a variable length binary structure that is made up of variable length authentication information. Table 164 defines the generic structure. The Authentication type GUID defines the corresponding authentication node.

**Table 164. Generic Authentication Node Structure**

Mnemonic	Byte Offset	Byte Length	Description
Type GUID	0	16	Authentication Type GUID
Length	16	2	Length of this structure in bytes.
Specific Authentication Data	18	n	Specific Authentication Data. Type defines the authentication method and associated type of data. Size of the data is included in the length.

All Authentication Nodes are byte-packed data structures that may appear on any byte boundary. All code references to Authentication Nodes must assume all fields are UNALIGNED. Since every Authentication Node contains a length field in a known place, it is possible to traverse Authentication Node of unknown type.

CHAP (using RADIUS) Authentication Node

This Authentication Node type defines the CHAP authentication using RADIUS information.

### GUID

```
#define EFI_AUTHENTICATION_CHAP_RADIUS_GUID \
    {0xd6062b50, 0x15ca, 0x11da, 0x9219, 0x00, 0x10, 0x83, 0xff, 0xca, \
     0x4d}
```

## Node Definition

**Table 165. CHAP Authentication Node Structure using RADIUS**

Mnemonic	Byte Offset	Byte Length	Description
Type	0	16	EFI_AUTHENTICATION_CHAP_RADIUS_GUID
Length	1	2	Length of this structure in bytes.
RADIUS IP Address	1	16	Radius IPv4 or IPv6 Address
Reserved	3	2	Reserved
NAS IP Address	3	16	NAS IPv4 or IPv6 Address
NAS Secret Length	5	2	NAS Secret Length
NAS Secret	5	p	NAS Secret
CHAP Secret Length	5	2	CHAP Secret Length
CHAP Secret	5	q	CHAP Secret
CHAP Name Length	5	2	CHAP Name Length
CHAP Name	5	r	CHAP Name String

## Summary

RADIUS IP Address	RADIUS Server IPv4 or IPv6 Address
NAS IP Address	Network Access Server IPv4 or IPv6 Address (OPTIONAL)
NAS Secret Length	Network Access Server Secret Length in bytes (OPTIONAL)
NAS Secret	Network Access Server secret (OPTIONAL)
CHAP Secret Length	CHAP Initiator Secret length in bytes
CHAP Secret	CHAP Initiator Secret
CHAP Name Length	CHAP Initiator Name Length in bytes
CHAP Name	CHAP Initiator Name
CHAP (using local database)	Authentication Node

This Authentication Node type defines CHAP using local database information.

## GUID

```
#define EFI_AUTHENTICATION_CHAP_LOCAL_GUID \
    {0xc280c73e, 0x15ca, 0x11da, 0xb0ca, 0x00, 0x10, 0x83, 0xff, 0xca, 0x4d}
```

## Node Definition

**Table 166. CHAP Authentication Node Structure using Local Database**

Mnemonic	Byte Offset	Byte Length	Description
Type	0	16	EFI_AUTHENTICATION_CHAP_LOCAL_GUID
Length	16	2	Length of this structure in bytes.
Reserved	18	2	Reserved for future use
User Secret Length	20	2	User Secret Length
User Secret	22	p	User Secret
User Name Length	22+p	2	User Name Length
User Name	24+p	q	User Name
CHAP Secret Length	24+p+q	2	CHAP Secret Length
CHAP Secret	26+p+q	r	CHAP Secret
CHAP Name Length	26+p+q+r	2	CHAP Name Length
CHAP Name	28+p+q+r	s	CHAP Name String

## Summary

User Secret Length	User Secret Length in bytes
User Secret	User Secret
User Name Length	User Name Length in bytes
User Name	User Name
CHAP Secret Length	CHAP Initiator Secret length in bytes
CHAP Secret	CHAP Initiator Secret
CHAP Name Length	CHAP Initiator Name Length in bytes
CHAP Name	CHAP Initiator Name

## 25.2 UEFI Driver Signing Overview

This section describes a means of generating a digital signature for a UEFI executable, embedding that digital signature within the UEFI executable and verifying that the digital signature is from an authorized source.

The UEFI specification provides a standard format for executables. These executables may be located on un-secured media (such as a hard drive or unprotected flash device) or may be delivered via a un-secured transport layer (such as a network) or originate from a un-secured port (such as ExpressCard device or USB device). In each of these cases, the system provider may decide to authenticate either the origin of the executable or its integrity (i.e. it has not been tampered with). This section describes a means of doing so.



## 25.2.1 Digital Signatures

As a rule, digital signatures require two pieces: the data (often referred to as the *message*) and a public/private key pair. In order to create a digital signature, the message is processed by a hashing algorithm to create a hash value. This hash value is, in turn, encrypted using a signature algorithm and the private key to create the digital signature.

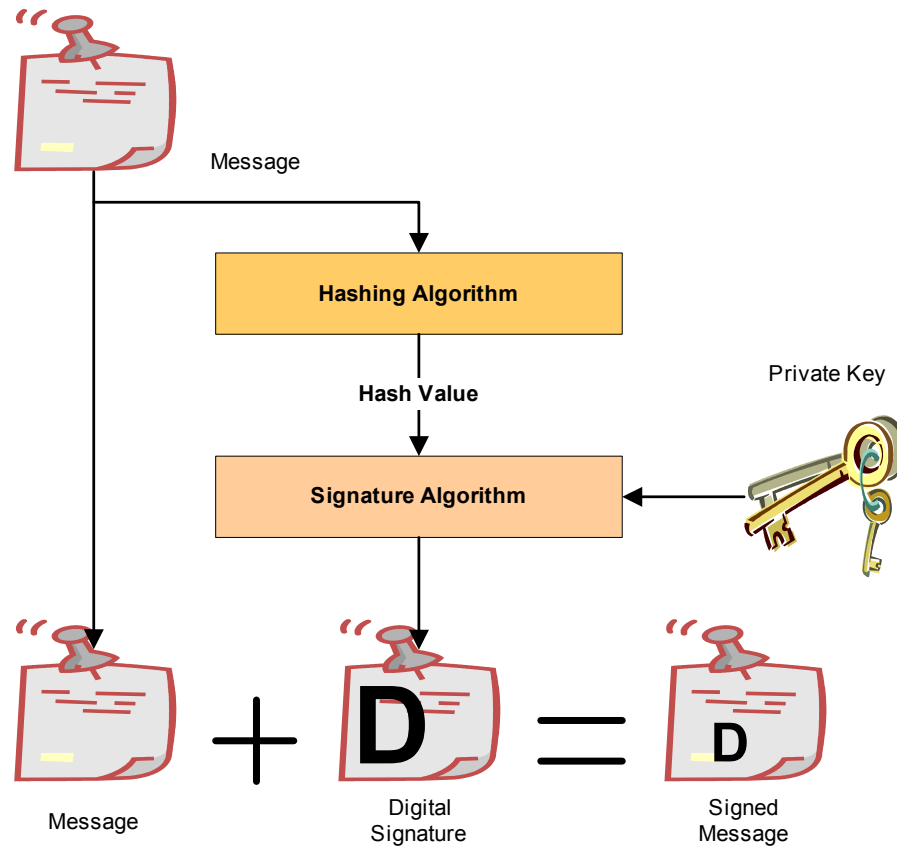


Figure 53. Creating A Digital Signature

In order to verify a signature, two pieces of data are required: the original message and the public key. First, the hash must be calculated exactly as it was calculated when the signature was created. Then the digital signature is decoded using the public key and the result is compared against the computed hash. If the two are identical, then you can be sure that message data is the one originally signed and it has not been tampered with.

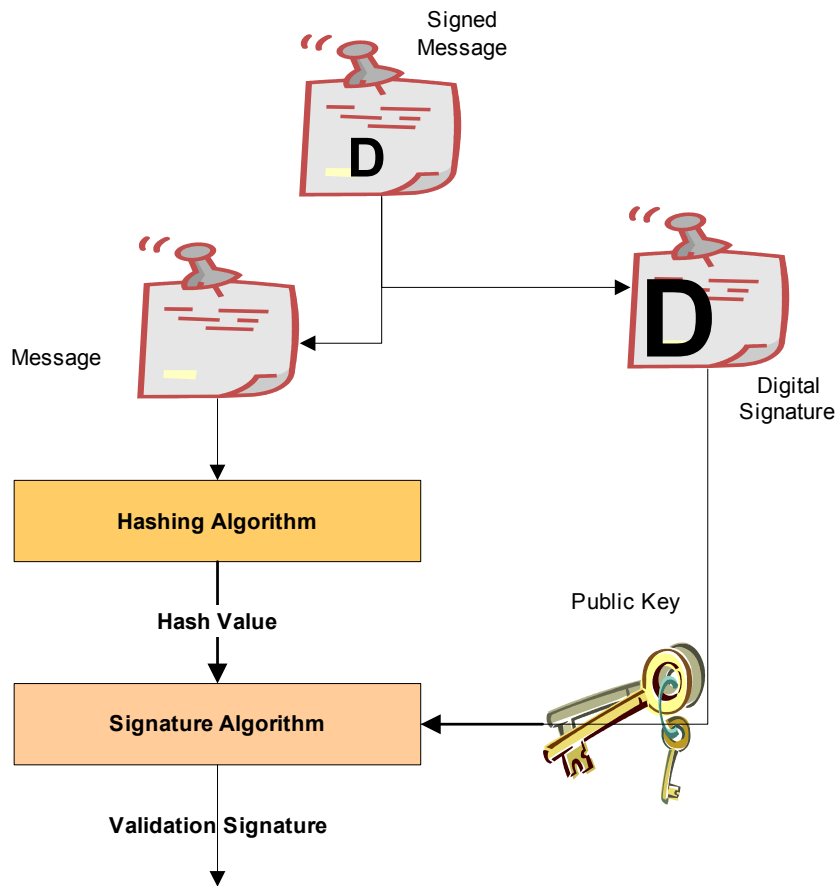
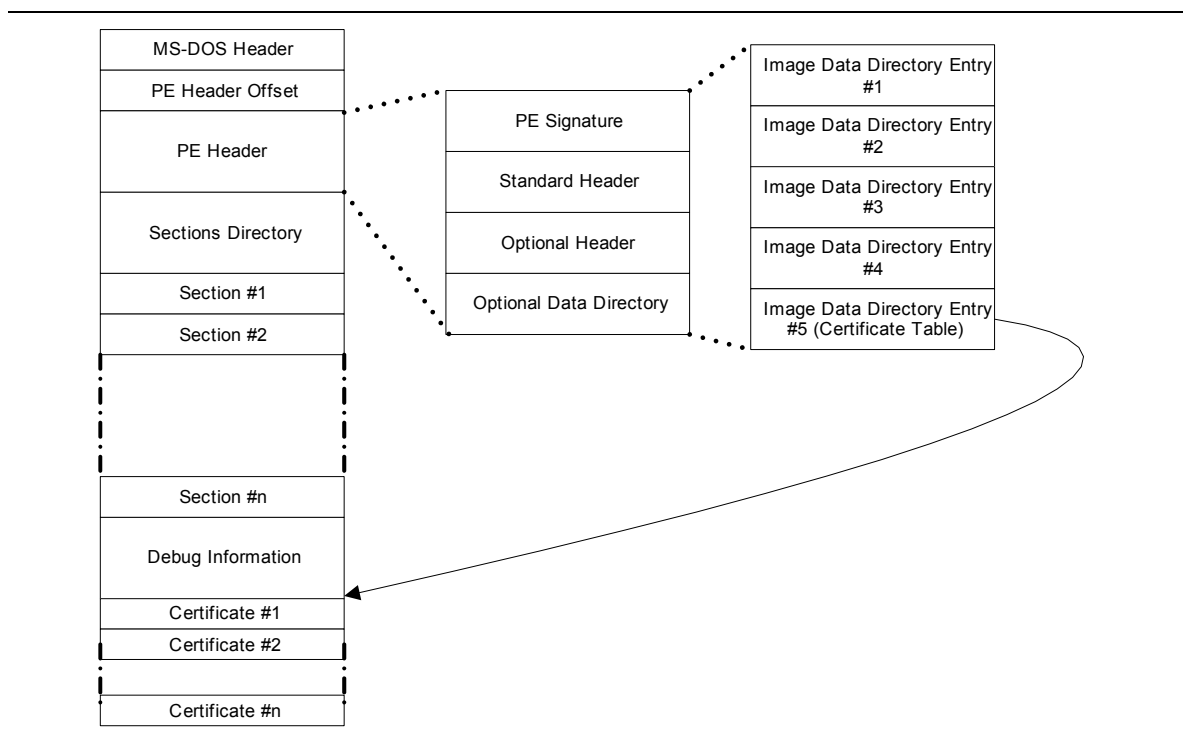


Figure 54. Verifying A Digital Signature

## 25.2.2 Embedded Signatures

The signatures used for digital signing of UEFI executables are embedded directly within the executable itself. Within the header is an array of directory entries. Each of these entries points to interesting places within the executable image. The fifth data directory entry contains a pointer to a list of certificates along with the length of the certificate areas. Each certificate may contain a digital signature used for validating the driver.

The following diagram illustrates how certificates are embedded in the PE/COFF file:



**Figure 55. Embedded Digital Certificates**

Within the PE/COFF optional header is a data directory. The 5<sup>th</sup> entry, if filled, points to a list of certificates. Normally, these certificates are appended to the end of the file.

### 25.2.3 Creating Message from Executables

One of the pieces required for creating a digital signature is the *message*. For a UEFI executable, the message is created from the PE/COFF image, starting at the first byte, but excluding the following portions:

5. The checksum field in the PE/COFF header
6. The certificate data directory structure (entry 5 in the data directory)
7. The certificates themselves

### 25.2.4 Code Definitions

This section describes the new data structures used for signing UEFI executables.

## WIN\_CERTIFICATE

The WIN\_CERTIFICATE structure is part of the PE/COFF specification and has the following definition:

```
typedef struct _WIN_CERTIFICATE {
    UINT32    dwLength;
    UINT16    wRevision;
    UINT16    wCertificateType;
    UINT8     bCertificate[ANYSIZE_ARRAY];
} WIN_CERTIFICATE;
```

### *dwLength*

The length of the entire certificate, including the length of the header, in bytes.

### *wRevision*

The revision level of the WIN\_CERTIFICATE structure. The current revision level is 0x0200.

### *wCertificateType*

The certificate type. See WIN\_CERT\_TYPE\_XXX for the UEFI certificate types. The UEFI specification reserves the range of certificate type values from 0x0EF0 to 0x0EFF.

### *bCertificate*

The actual certificate. The format of the certificate depends on *wCertificateType*. The format of the UEFI certificates is defined below.

## Related Definitions

```
#define WIN_CERT_TYPE_EFI_PKCS115    0x0EF0
#define WIN_CERT_TYPE_EFI_GUID       0x0EF1
```

## WIN\_CERTIFICATE\_EFI\_PKCS1\_15

### Description

Certificate which encapsulates the RSASSA\_PKCS1-v1\_5 digital signature.

### Prototype

```
typedef struct _WIN_CERTIFICATE_EFI_PKCS1_15 {  
    WIN_CERTIFICATE      Hdr;  
    UINT32                HashType;  
    UINT8                 Signature[ANYSIZE_ARRAY];  
} WIN_CERTIFICATE_EFI_PKCS1_15;
```

#### *Hdr*

This is the standard WIN\_CERTIFICATE header, where wCertificateType is set to WIN\_CERT\_TYPE\_UEFI\_PKCS1\_15.

#### *HashType*

This is the hashing algorithm which was performed on the UEFI executable when creating the digital signature. It is one of the enumerated values defined in chapter x. See EFI\_HASH\_ALGORITHM\_x.

#### *Signature*

This is the actual digital signature. The size of the signature is the same size as the key (1024-bit key is 128 bytes) and can be determined by subtracting the length of the other parts of this header from the total length of the certificate as found in Hdr.dwLength.

### Information

The WIN\_CERTIFICATE\_UEFI\_PKCS1\_15 structure is derived from WIN\_CERTIFICATE and encapsulate the information needed to implement the RSASSA-PKCS1-v1\_5 digital signature algorithm as specified in RFC2437.

## 25.2.5 WIN\_CERTIFICATE\_UEFI\_GUID

### Description

Certificate which encapsulates a GUID-specific digital signature.

## Prototype

```
typedef struct _WIN_CERTIFICATE_UEFI_GUID {
    WIN_CERTIFICATE Hdr;
    EFI_GUID        CertType;
    UINT8           CertData[ANYSIZE_ARRAY];
} WIN_CERTIFICATE_UEFI_GUID;
```

*Hdr* This is the standard WIN\_CERTIFICATE header, where *wCertificateType* is set to WIN\_CERT\_TYPE\_UEFI\_GUID.

*CertType* This is the unique id which determines the format of the *CertData*.

*CertData* This is the certificate data. The format of the data is determined by the *CertType*.

## Information

The UEFI GUID certificate type allows new types of certificates to be developed for driver authentication without requiring a new certificate type. The *CertType* defines the format of the *CertData*, which length is defined by the size of the certificate less the fixed size of the WIN\_CERTIFICATE\_UEFI\_GUID structure.

## 25.3 Hash Overview

For the purposes of this specification, a hash function takes a variable length input and generates a fixed length hash value. In general, hash functions are *collision-resistant*, which means that it is infeasible to find two distinct inputs which produce the same hash value. Hash functions are generally *one-way* which means that it is infeasible to find an input based on the output hash value.

This specification describes a protocol which allows a driver to produce a protocol which supports zero or more hash functions.

### 25.3.1 Hash References

The following references define the standard means of creating the hashes used in this specification:

Secure Hash Signature Standard (SHS) (FIPS PUB 180-2), National Institute of Standards and Technology (August 1, 2002). See <http://csrc.nist.gov/publications/fips/fips180-2/fips180-2withchangenotice.pdf> (SHA-1, SHA-224, SHA-256, SHA-384, SHA-512)

MD5 Message-Digest Algorithm, R. Rivest (April 1992). See <http://www.ietf.org/rfc/rfc1321.txt>

## 25.4 EFI Hash Protocols

### EFI\_HASH\_SERVICE\_BINDING\_PROTOCOL

#### Summary

The EFI Hash Service Binding Protocol is used to locate hashing services support provided by a driver and create and destroy instances of the EFI Hash Protocol so that a multiple drivers can use the underlying hashing services.

The EFI Service Binding Protocol that is defined in Section 2.5.8 defines the generic Service Binding Protocol functions. This section discusses the details that are specific to the EFI Hash Protocol.

#### GUID

```
#define EFI_HASH_SERVICE_BINDING_PROTOCOL \  
    {0x42881c98, 0xa4f3, 0x44b0, 0xa3, 0x9d, 0xdf, 0xa1, 0x86, 0x67, \  
    0xd8, 0xcd};
```

#### Description

An application (or driver) that requires hashing services can use one of the protocol handler services, such as **BS->LocateHandleBuffer()**, to search for devices that publish an EFI Hash Service Binding Protocol. Each device with a published the EFI Hash Service Binding Protocol supports the EFI Hash Protocol and may be available for use.

After a successful call to the **EFI\_HASH\_SERVICE\_BINDING\_PROTOCOL.CreateChild()** function, the child EFI Hash Protocol driver instance is ready for use.

Before a network application terminates execution, every successful call to the **EFI\_HASH\_SERVICE\_BINDING\_PROTOCOL.CreateChild()** function must be matched with a call to the **EFI\_HASH\_SERVICE\_BINDING\_PROTOCOL.DestroyChild()** function.

## EFI\_HASH\_PROTOCOL

### Summary

This protocol describes standard hashing functions.

### GUID

```
#define EFI_HASH_PROTOCOL_GUID \
    {0xc5184932, 0xdba5, 0x46db, 0xa5, 0xba, 0xcc, 0xb, 0xda, 0x9c, \
     0x14, 0x35}
```

### Protocol Interface Structure

```
typedef _EFI_HASH_PROTOCOL {
    EFI_HASH_GET_HASH_SIZE      GetHashSize;
    EFI_HASH_HASH                Hash;
} EFI_HASH_PROTOCOL;
```

### Parameters

*GetHashSize*            Return the size of a specific type of resulting hash.

*Hash*                    Create a hash for the specified message.

### Description

This protocol allows creating a hash of an arbitrary message digest using one or more hash algorithms. The *GetHashSize* returns the expected size of the hash for a particular algorithm and whether or not that algorithm is, in fact, supported. The *Hash* actually creates a hash using the specified algorithm.

### Related Definitions

**None**



## EFI\_HASH\_PROTOCOL.GetHashSize()

### Summary

Returns the size of the hash which results from a specific algorithm.

### Prototype

```
EFI_STATUS
EFI_API
GetHashSize (
    IN CONST EFI_HASH_PROTOCOL *This,
    IN CONST EFI_GUID          *HashAlgorithm,
    OUT UINTN *HashSize
);
```

### Parameters

*This* Points to this instance of EFI\_HASH\_PROTOCOL.

*HashAlgorithm* Points to the EFI\_GUID which identifies the algorithm to use. See EFI Hash Algorithms.

*HashSize* Holds the returned size of the algorithm's hash.

### Description

This function returns the size of the hash which will be produced by the specified algorithm.

### Related Definitions

**None**

### Status Codes Returned

EFI_SUCCESS	Hash size returned successfully.
EFI_INVALID_PARAMETER	<i>HashSize</i> is <b>NULL</b> .
EFI_UNSUPPORTED	The algorithm specified by <i>HashAlgorithm</i> is not supported by this driver.

## EFI\_HASH\_PROTOCOL.Hash()

### Summary

Creates a hash for the specified message text.

### Prototype

```
EFI_STATUS
EFIAPI
Hash (
    IN CONST EFI_HASH_PROTOCOL *This,
    IN CONST EFI_GUID          *HashAlgorithm,
    IN BOOLEAN Extend,
    IN CONST UINT8 *Message,
    IN UINT64 MessageSize,
    IN OUT EFI_HASH_OUTPUT *Hash
);
```

### Parameters

<i>This</i>	Points to this instance of EFI_HASH_PROTOCOL.
<i>HashAlgorithm</i>	Points to the EFI_GUID which identifies the algorithm to use. See EFI Hash Algorithms.
<i>Extend</i>	Specifies whether to create a new hash (FALSE) or extend the specified existing hash (TRUE).
<i>Message</i>	Points to the start of the message.
<i>MessageSize</i>	The size of <i>Message</i> , in bytes.
<i>Hash</i>	On input, if <i>Extend</i> is TRUE, then this holds the hash to extend. On output, holds the resulting hash computed from the message.

### Description

This function creates the hash of the specified message text based on the specified algorithm *HashAlgorithm* and copies the result to the caller-provided buffer *Hash*. If *Extend* is TRUE, then the hash specified on input by *Hash* is extended. If *Extend* is FALSE, then the starting hash value will be that specified by the algorithm.

### Related Definitions

EFI\_HASH\_OUTPUT

## Status Codes Returned

EFI_SUCCESS	Hash returned successfully.
EFI_INVALID_PARAMETER	<i>Message</i> or <i>Hash</i> is NULL
EFI_UNSUPPORTED	The algorithm specified by <i>HashAlgorithm</i> is not supported by this driver.
EFI_UNSUPPORTED	<i>Extend</i> is TRUE and the algorithm doesn't support extending the hash.

## 25.4.1 Other Code Definitions

**EFI\_SHA1\_HASH, EFI\_SHA224\_HASH, EFI\_SHA256\_HASH,  
EFI\_SHA384\_HASH, EFI\_SHA512HASH, EFI\_MD5\_HASH**

### Summary

Data structure which holds the result of the hash.

### Prototype

```
typedef UINT8 EFI_MD5_HASH[16];
typedef UINT8 EFI_SHA1_HASH[20];
typedef UINT8 EFI_SHA224_HASH[28];
typedef UINT8 EFI_SHA256_HASH[32];
typedef UINT8 EFI_SHA384_HASH[48];
typedef UINT8 EFI_SHA512_HASH[64];
typedef union _EFI_HASH_OUTPUT {
    EFI_MD5_HASH      *Md5Hash;
    EFI_SHA1_HASH     *Sha1Hash;
    EFI_SHA224_HASH   *Sha224Hash;
    EFI_SHA256_HASH   *Sha256Hash;
    EFI_SHA384_HASH   *Sha384Hash;
    EFI_SHA512_HASH   *Sha512Hash;
} EFI_HASH_OUTPUT;
```

### Description

These prototypes describe the expected hash output values from the *Hash* function of the EFI\_HASH\_PROTOCOL.

### Related Definitions

**None**

### 25.4.1.1 EFI Hash Algorithms

The following table gives the EFI\_GUID for standard hash algorithms and the corresponding ASN.1 OID (Object Identifier)

**Table 167. EFI Hash Algorithms**

Algorithm	EFI_GUID	OID
SHA-1	<pre>#define EFI_HASH_ALGORITHM_SHA1_GUID {0x2ae9d80f, 0x3fb2, 0x4095, { 0xb7, 0xb1, 0xe9, 0x31, 0x57, 0xb9, 0x46, 0xb6}};</pre>	<pre>id-sha1 OBJECT IDENTIFIER ::= { iso(1) identified- organization(3) oiw(14) secsig(3) algorithms(2) 26 }</pre>
SHA-224	<pre>#define EFI_HASH_ALGORITHM_SHA224_GUID { 0x8df01a06, 0x9bd5, 0x4bf7, { 0xb0, 0x21, 0xdb, 0x4f, 0xd9, 0xcc, 0xf4, 0x5b } };</pre>	
SHA-256	<pre>#define EFI_HASH_ALGORITHM_SHA256_GUID { 0x51aa59de, 0xfdf2, 0x4ea3, { 0xbc, 0x63, 0x87, 0x5f, 0xb7, 0x84, 0x2e, 0xe9 } };</pre>	<pre>id-sha256 OBJECT IDENTIFIER ::= { joint-iso-itu-t (2) country (16) us (840) organization (1) gov (101) csor (3) nistalgorithm (4) hashalgs (2) 1}</pre>
SHA-384	<pre>#define EFI_HASH_ALGORITHM_SHA384_GUID { 0xefa96432, 0xde33, 0x4dd2, { 0xae, 0xe6, 0x32, 0x8c, 0x33, 0xdf, 0x77, 0x7a } };</pre>	<pre>id-sha384 OBJECT IDENTIFIER ::= { joint-iso-itu-t (2) country (16) us (840) organization (1) gov (101) csor (3) nistalgorithm (4) hashalgs (2) 2}</pre>
SHA-512	<pre>#define EFI_HASH_ALGORITHM_SHA512_GUID { 0xcaa4381e, 0x750c, 0x4770, { 0xb8, 0x70, 0x7a, 0x23, 0xb4, 0xe4, 0x21, 0x30 } };</pre>	<pre>id-sha512 OBJECT IDENTIFIER ::= { joint-iso-itu-t (2) country (16) us (840) organization (1) gov (101) csor (3) nistalgorithm (4) hashalgs (2) 3}</pre>
MD5	<pre>#define EFI_HASH_ALGORITHM_MD5_GUID { 0xaf7c79c, 0x65b5, 0x4319, { 0xb0, 0xae, 0x44, 0xec, 0x48, 0x4e, 0x4a, 0xd7 } };</pre>	<pre>id-md5 OBJECT IDENTIFIER ::= { iso (1) member-body (2) us (840) rsadsi (113549) digestAlgorithm (2) 5}</pre>



# Appendix A

## GUID and Time Formats

---

All EFI GUIDs (Globally Unique Identifiers) have the format described in Appendix J of the *Wired for Management Baseline Specification*. This document references the format of the GUID, but implementers must reference the *Wired for Management* specifications for algorithms to generate GUIDs. The following table defines the format of an EFI GUID (128 bits).

**Table 168. EFI GUID Format**

Mnemonic	Byte Offset	Byte Length	Description
TimeLow	0	4	The low field of the timestamp.
TimeMid	4	2	The middle field of the timestamp.
TimeHighAndVersion	6	2	The high field of the timestamp multiplexed with the version number.
ClockSeqHighAndReserved	8	1	The high field of the clock sequence multiplexed with the variant.
ClockSeqLow	9	1	The low field of the clock sequence.
Node	10	6	The spatially unique node identifier. This can be based on any IEEE 802 address obtained from a network card. If no network card exists in the system, a cryptographic-quality random number can be used.

All EFI time is stored in the format described by Appendix J of the *Wired for Management Baseline Specification*. This appendix for GUID defines a 60-bit timestamp format that is used to generate the GUID. All EFI time information is stored in 64-bit structures that contain the following format: The timestamp is a 60-bit value that is represented by Coordinated Universal Time (UTC) as a count of 100-nanosecond intervals since 00:00:00.00, 15 October 1582 (the date of Gregorian reform to the Christian calendar). This time value will not roll over until the year 3400 AD. It is assumed that a future version of the EFI specification can deal with the year-3400 issue by extending this format if necessary.





# Appendix B

## Console

The EFI console was designed so that it could map to common console devices. This appendix explains how an EFI console could map to a VGA with PC AT 101/102, PC ANSI, or ANSI X3.64 consoles.

### B.1 Simple \_Input Protocol

Table 169 gives examples of how an EFI scan code can be mapped to ANSI X3.64 terminal, PCANSI terminal, or an AT 101/102 keyboard. PC ANSI terminals support an escape sequence that begins with the ASCII character 0x1b and is followed by the ASCII character 0x5B, “[”. ASCII characters that define the control sequence that should be taken follow the escape sequence. (The escape sequence does not contain spaces, but spaces are used in Table 169 to ease the reading of the table.) ANSI X3.64, when combined with ISO 6429, can be used to represent the same subset of console support required by EFI. ANSI X3.64 uses a single character escape sequence CSI: ASCII character 0x9B. ANSI X3.64 can optionally use the same two-character escape sequence “ESC [”. ANSI X3.64 and ISO 6429 support the same escape codes as PC ANSI.

**Table 169. EFI Scan Codes for EFI\_SIMPLE\_TEXT\_INPUT\_PROTOCOL**

EFI Scan Code	Description	ANSI X3.64 Codes	PC ANSI Codes	AT 101/102 Keyboard Scan Codes
0x00	Null scan code	N/A	N/A	N/A
0x01	Move cursor up 1 row	CSI A	ESC [ A	0xe0, 0x48
0x02	Move cursor down 1 row	CSI B	ESC [ B	0xe0, 0x50
0x03	Move cursor right 1 column	CSI C	ESC [ C	0xe0, 0x4d
0x04	Move cursor left 1 column	CSI D	ESC [ D	0xe0, 0x4b
0x05	Home	CSI H	ESC [ H	0xe0, 0x47
0x06	End	CSI K	ESC [ K	0xe0, 0x4f
0x07	Insert	CSI @	ESC [ @	0xe0, 0x52
0x08	Delete	CSI P	ESC [ P	0xe0, 0x53
0x09	Page Up	CSI ?	ESC [ ?	0xe0, 0x49
0x0a	Page Down	CSI /	ESC [ /	0xe0, 0x51
0x0b	Function 1	CSI O P	ESC [ O P	0x3b
0x0c	Function 2	CSI O Q	ESC [ O Q	0x3c
0x0d	Function 3	CSI O w	ESC [ O w	0x3d
0x0e	Function 4	CSI O x	ESC [ O x	0x3e
0x0f	Function 5	CSI O t	ESC [ O t	0x3f
0x10	Function 6	CSI O u	ESC [ O u	0x40

EFI Scan Code	Description	ANSI X3.64 Codes	PC ANSI Codes	AT 101/102 Keyboard Scan Codes
0x11	Function 7	CSI O q	ESC [ O q	0x41
0x12	Function 8	CSI O r	ESC [ O r	0x42
0x13	Function 9	CSI O p	ESC [ O p	0x43
0x14	Function 10	CSI O M	ESC [ O M	0x44
0x17	Escape	CSI	ESC	0x01

## B.2 SIMPLE\_TEXT\_OUTPUT

Table 170 defines how the programmatic methods of the **EFI SIMPLE TEXT OUPUT PROTOCOL** could be implemented as PC ANSI or ANSI X3.64 terminals. Detailed descriptions of PC ANSI and ANSI X3.64 escape sequences are as follows. The same type of operations can be supported via a PC AT type INT 10h interface.

**Table 170. Control Sequences to Implement **EFI\_SIMPLE\_TEXT\_INPUT\_PROTOCOL****

PC ANSI Codes	ANSI X3.64 Codes	Description
ESC [ 2 J	CSI 2 J	Clear Display Screen.
ESC [ 0 m	CSI 0 m	Normal Text.
ESC [ 1 m	CSI 1 m	Bright Text.
ESC [ 7 m	CSI 7 m	Reversed Text.
ESC [ 30 m	CSI 30 m	Black foreground, compliant with ISO Standard 6429.
ESC [ 31 m	CSI 31 m	Red foreground, compliant with ISO Standard 6429.
ESC [ 32 m	CSI 32 m	Green foreground, compliant with ISO Standard 6429.
ESC [ 33 m	CSI 33 m	Yellow foreground, compliant with ISO Standard 6429.
ESC [ 34 m	CSI 34 m	Blue foreground, compliant with ISO Standard 6429.
ESC [ 35 m	CSI 35 m	Magenta foreground, compliant with ISO Standard 6429.
ESC [ 36 m	CSI 36 m	Cyan foreground, compliant with ISO Standard 6429.
ESC [ 37 m	CSI 37 m	White foreground, compliant with ISO Standard 6429.
ESC [ 40 m	CSI 40 m	Black background, compliant with ISO Standard 6429.
ESC [ 41 m	CSI 41 m	Red background, compliant with ISO Standard 6429.
ESC [ 42 m	CSI 42 m	Green background, compliant with ISO Standard 6429.
ESC [ 43 m	CSI 43 m	Yellow background, compliant with ISO Standard 6429.
ESC [ 44 m	CSI 44 m	Blue background, compliant with ISO Standard 6429.
ESC [ 45 m	CSI 45 m	Magenta background, compliant with ISO Standard 6429.
ESC [ 46 m	CSI 46 m	Cyan background, compliant with ISO Standard 6429.
ESC [ 47 m	CSI 47 m	White background, compliant with ISO Standard 6429.
ESC [ = 3 h	CSI = 3 h	Set Mode 80x25 color.
ESC [ row;col H	CSI row;col H	Set cursor position to row;col. Row and col are strings of ASCII digits.

# Appendix C

## Device Path Examples

This appendix presents an example EFI Device Path and explains its relationship to the ACPI name space. An example system design is presented along with its corresponding ACPI name space. These physical examples are mapped back to EFI Device Paths.

### C.1 Example Computer System

Figure 56 represents a hypothetical computer system architecture that will be used to discuss the construction of EFI Device Paths. The system consists of a memory controller that connects directly to the processors' front side bus. The memory controller is only part of a larger chipset, and it connects to a root PCI host bridge chip, and a secondary root PCI host bridge chip. The secondary PCI host bridge chip produces a PCI bus that contains a PCI to PCI bridge. The root PCI host bridge produces a PCI bus, and also contains USB, ATA66, and AC '97 controllers. The root PCI host bridge also contains an LPC bus that is used to connect a SIO (Super IO) device. The SIO contains a PC-AT-compatible floppy disk controller, and other PC-AT-compatible devices like a keyboard controller.

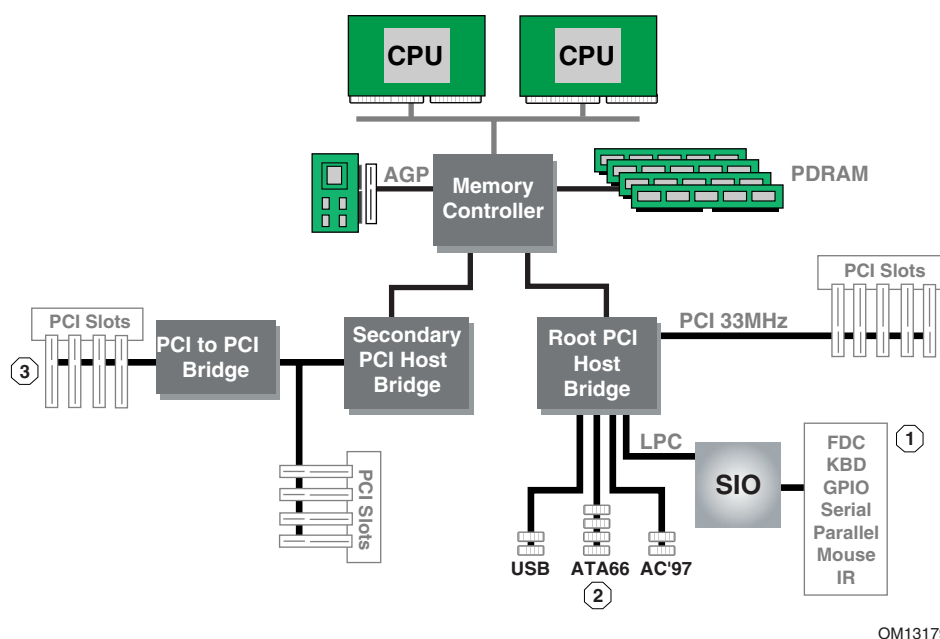


Figure 56. Example Computer System

The remainder of this appendix describes how to construct a device path for three example devices from the system in Figure 56. The following is a list of the examples used:

- Legacy floppy
- IDE Disk
- Secondary root PCI bus with PCI to PCI bridge

Figure 57 is a partial ACPI name space for the system in Figure 56. Figure 57 is based on Figure 5-3 in the *Advanced Configuration and Power Interface Specification*.

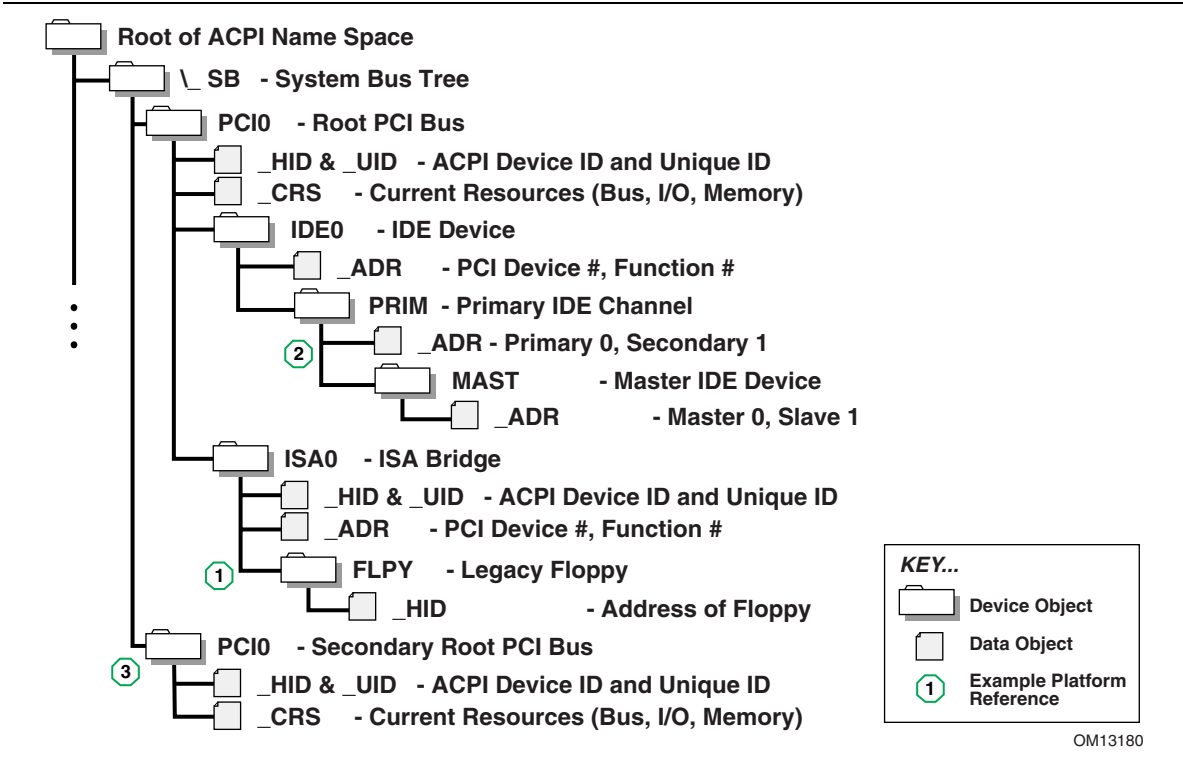


Figure 57. Partial ACPI Name Space for Example System

## C.2 Legacy Floppy

The legacy floppy controller is contained in the SIO chip that is connected root PCI bus host bridge chip. The root PCI host bridge chip produces PCI bus 0, and other resources that appear directly to the processors in the system.

In ACPI this configuration is represented in the `\_SB`, system bus tree, of the ACPI name space. `PCI0` is a child of `\_SB` and it represents the root PCI host bridge. The SIO appears to the system to be a set of ISA devices, so it is represented as a child of `PCI0` with the name `ISA0`. The floppy controller is represented by `FLPY` as a child of the `ISA0` bus.

The EFI Device Path for the legacy floppy is defined in Table 171. It would contain entries for the following things:

- Root PCI Bridge. ACPI Device Path `_HID PNP0A03, _UID 0`. ACPI name space `\_SB\PCI0`
- PCI to ISA Bridge. PCI Device Path with device and function of the PCI to ISA bridge. ACPI name space `\_SB\PCI0\ISA0`
- Floppy Plug and Play ID. ACPI Device Path `_HID PNP0303, _UID 0`. ACPI name space `\_SB\PCI0\ISA0\FLPY`
- End Device Path

**Table 171. Legacy Floppy Device Path**

Byte Offset	Byte Length	Data	Description
0	1	0x02	<b>Generic Device Path Header</b> – Type ACPI Device Path
1	1	0x01	Sub type – ACPI Device Path
2	2	0x0C	Length
4	4	0x41D0, 0x0A03	<code>_HID PNP0A03</code> – 0x41D0 represents a compressed string 'PNP' and is in the low order bytes
8	4	0x0000	<code>_UID</code>
C	1	0x01	<b>Generic Device Path Header</b> – Type Hardware Device Path
D	1	0x01	Sub type PCI Device Path
E	2	0x06	Length
10	1	0x00	PCI Function
11	1	0x10	PCI Device
12	1	0x02	<b>Generic Device Path Header</b> – Type ACPI Device Path
13	1	0x01	Sub type – ACPI Device Path
14	2	0x0C	Length
16	4	0x41D0, 0x0303	<code>_HID PNP0303</code>
1A	4	0x0000	<code>_UID</code>
1E	1	0xFF	<b>Generic Device Path Header</b> – Type End Device Path
1F	1	0xFF	Sub type – End Device Path
20	2	0x04	Length

### C.3 IDE Disk

The IDE Disk controller is a PCI device that is contained in a function of the root PCI host bridge. The root PCI host bridge is a multi function device and has a separate function for chipset registers, USB, and IDE. The disk connected to the IDE ATA bus is defined as being on the primary or secondary ATA bus, and of being the master or slave device on that bus.

In ACPI this configuration is represented in the \_SB, system bus tree, of the ACPI name space. PCI0 is a child of \_SB and it represents the root PCI host bridge. The IDE controller appears to the system to be a PCI device with some legacy properties, so it is represented as a child of PCI0 with the name IDE0. PRIM is a child of IDE0 and it represents the primary ATA bus of the IDE controller. MAST is a child of PRIM and it represents that this device is the ATA master device on this primary ATA bus.

The EFI Device Path for the PCI IDE controller is defined in Table 172. It would contain entries for the following things:

- Root PCI Bridge. ACPI Device Path \_HID PNP0A03, \_UID 0. ACPI name space \\_SB\PCI0
- PCI IDE controller. PCI Device Path with device and function of the IDE controller. ACPI name space \\_SB\PCI0\IDE0
- ATA Address. ATA Messaging Device Path for Primary bus and Master device. ACPI name space \\_SB\PCI0\IDE0\PRIM\MAST
- End Device Path

**Table 172. IDE Disk Device Path**

Byte Offset	Byte Length	Data	Description
0	1	0x02	<b>Generic Device Path Header</b> – Type ACPI Device Path
1	1	0x01	Sub type – ACPI Device Path
2	2	0x0C	Length
4	4	0x41D0, 0x0A03	_HID PNP0A03 – 0x41D0 represents a compressed string ‘PNP’ and is in the low order bytes
8	4	0x0000	_UID
C	1	0x01	<b>Generic Device Path Header</b> – Type Hardware Device Path
D	1	0x01	Sub type PCI Device Path
E	2	0x06	Length
10	1	0x01	PCI Function
11	1	0x10	PCI Device
12	1	0x03	<b>Generic Device Path Header</b> – Messaging Device Path
13	1	0x01	Sub type – ATAPI Device Path
14	2	0x06	Length
16	1	0x00	Primary = 0, Secondary = 1
17	1	0x00	Master = 0, Slave = 1
18	2	0x0000	LUN
1A	1	0xFF	<b>Generic Device Path Header</b> – Type End Device Path
1B	1	0xFF	Sub type – End Device Path
1C	2	0x04	Length

## C.4 Secondary Root PCI Bus with PCI to PCI Bridge

The secondary PCI host bridge materializes a second set of PCI buses into the system. The PCI buses on the secondary PCI host bridge are totally independent of the PCI buses on the root PCI host bridge. The only relationship between the two is they must be configured to not consume the same resources. The primary PCI bus of the secondary PCI host bridge also contains a PCI to PCI bridge. There is some arbitrary PCI device plugged in behind the PCI to PCI bridge in a PCI slot.

In ACPI this configuration is represented in the `_SB`, system bus tree, of the ACPI name space. `PCI1` is a child of `_SB` and it represents the secondary PCI host bridge. The PCI to PCI bridge and the device plugged into the slot on its primary bus are not described in the ACPI name space. These devices can be fully configured by following the applicable PCI specification.

The EFI Device Path for the secondary root PCI bridge with a PCI to PCI bridge is defined in Table 173. It would contain entries for the following things:

- Root PCI Bridge. ACPI Device Path `_HID PNP0A03, _UID 1`. ACPI name space `\_SB\PCI1`
- PCI to PCI Bridge. PCI Device Path with device and function of the PCI Bridge. ACPI name space `\_SB\PCI1`, PCI to PCI bridges are defined by PCI specification and not ACPI.
- PCI Device. PCI Device Path with the device and function of the PCI device. ACPI name space `\_SB\PCI1`, PCI devices are defined by PCI specification and not ACPI.
- End Device Path.

**Table 173. Secondary Root PCI Bus with PCI to PCI Bridge Device Path**

Byte Offset	Byte Length	Data	Description
0	1	0x02	<b>Generic Device Path Header</b> – Type ACPI Device Path
1	1	0x01	Sub type – ACPI Device Path
2	2	0x0C	Length
4	4	0x41D0, 0x0A03	<code>_HID PNP0A03</code> – 0x41D0 represents a compressed string 'PNP' and is in the low order bytes
8	4	0x0001	<code>_UID</code>
C	1	0x01	<b>Generic Device Path Header</b> – Type Hardware Device Path
D	1	0x01	Sub type PCI Device Path
E	2	0x06	Length
10	1	0x00	PCI Function for PCI to PCI bridge
11	1	0x0c	PCI Device for PCI to PCI bridge
12	1	0x01	<b>Generic Device Path Header</b> – Type Hardware Device Path
13	1	0x01	Sub type PCI Device Path
14	2	0x08	Length
16	1	0x00	PCI Function for PCI Device
17	1	0x00	PCI Device for PCI Device
18	1	0xFF	<b>Generic Device Path Header</b> – Type End Device Path
19	1	0xFF	Sub type – End Device Path
1A	2	0x04	Length

## C.5 ACPI Terms

Names in the ACPI name space that start with an underscore (“\_”) are reserved by the ACPI specification and have architectural meaning. All ACPI names in the name space are four characters in length. The following four ACPI names are used in this specification.

**\_ADR.** The Address on a bus that has standard enumeration. An example would be PCI, where the enumeration method is described in the PCI Local Bus specification.

**\_CRS.** The current resource setting of a device. A \_CRS is required for devices that are not enumerated in a standard fashion. \_CRS is how ACPI converts nonstandard devices into Plug and Play devices.

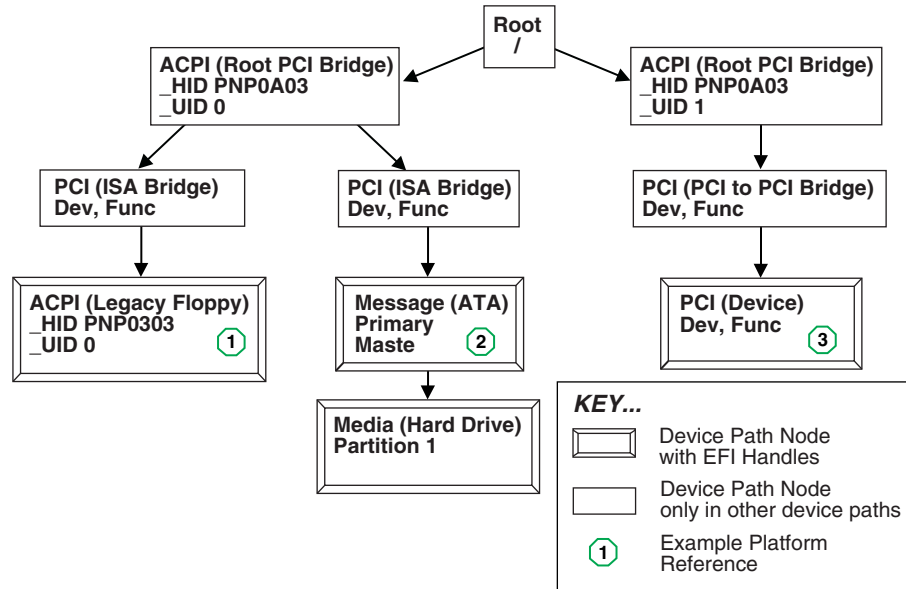
**\_HID.** Represents a device’s Plug and Play hardware ID, stored as a 32-bit compressed EISA ID. \_HID objects are optional in ACPI. However, a \_HID object must be used to describe any device that will be enumerated by the ACPI driver in the OS. This is how ACPI deals with non-Plug and Play devices.

**\_UID.** Is a serial number style ID that does not change across reboots. If a system contains more than one device that reports the same \_HID, each device must have a unique \_UID. The \_UID only needs to be unique for device that have the exact same \_HID value.



## C.6 EFI Device Path as a Name Space

Figure 58 shows the EFI Device Path for the example system represented as a name space. The Device Path can be represented as a name space, but EFI does support manipulating the Device Path as a name space. You can only access Device Path information by locating the **DEVICE\_PATH\_INTERFACE** from a handle. Not all the nodes in a Device Path will have a handle.



OM13181

Figure 58. EFI Device Path Displayed As a Name Space



# Appendix D

## Status Codes

EFI interfaces return an **EFI\_STATUS** code. Table 175, Table 176, and Table 177 list these codes for success, errors, and warnings, respectively. Error codes also have their highest bit set, so all error codes have negative values. The range of status codes that have the highest bit set and the next to highest bit clear are reserved for use by EFI. The range of status codes that have both the highest bit set and the next to highest bit set are reserved for use by OEMs. Success and warning codes have their highest bit clear, so all success and warning codes have positive values. The range of status codes that have both the highest bit clear and the next to highest bit clear are reserved for use by EFI. The range of status code that have the highest bit clear and the next to highest bit set are reserved for use by OEMs. Table 174 lists the status code ranges described above.

**Table 174. EFI\_STATUS Codes Ranges**

Supported 32-bit Range	Supported 64-bit Architecture Ranges	Description
0x00000000– 0x3fffffff	0x0000000000000000– 0x3fffffffffffffffffff	Success and warning codes reserved for use by EFI. See Table 9 and Table 177 for valid values in this range.
0x40000000– 0x7fffffff	0x4000000000000000– 0x7fffffffffffffffffff	Success and warning codes reserved for use by OEMs.
0x80000000– 0xbfffffff	0x8000000000000000– 0xbfffffffffffffffffff	Error codes reserved for use by EFI. See Table 10 for valid values for this range.
0xc0000000– 0xffffffff	0xc000000000000000– 0xffffffffffffffffffff	Error codes reserved for use by OEMs.

**Table 175. EFI\_STATUS Success Codes (High Bit Clear)**

Mnemonic	Value	Description
EFI_SUCCESS	0	The operation completed successfully.

**Table 176. EFI\_STATUS Error Codes (High Bit Set)**

Mnemonic	Value	Description
EFI_LOAD_ERROR	1	The image failed to load.
EFI_INVALID_PARAMETER	2	A parameter was incorrect.
EFI_UNSUPPORTED	3	The operation is not supported.
EFI_BAD_BUFFER_SIZE	4	The buffer was not the proper size for the request.
EFI_BUFFER_TOO_SMALL	5	The buffer is not large enough to hold the requested data. The required buffer size is returned in the appropriate parameter when this error occurs.
EFI_NOT_READY	6	There is no data pending upon return.

<b>Mnemonic</b>	<b>Value</b>	<b>Description</b>
EFI_DEVICE_ERROR	7	The physical device reported an error while attempting the operation.
EFI_WRITE_PROTECTED	8	The device cannot be written to.
EFI_OUT_OF_RESOURCES	9	A resource has run out.
EFI_VOLUME_CORRUPTED	10	An inconsistency was detected on the file system causing the operating to fail.
EFI_VOLUME_FULL	11	There is no more space on the file system.
EFI_NO_MEDIA	12	The device does not contain any medium to perform the operation.
EFI_MEDIA_CHANGED	13	The medium in the device has changed since the last access.
EFI_NOT_FOUND	14	The item was not found.
EFI_ACCESS_DENIED	15	Access was denied.
EFI_NO_RESPONSE	16	The server was not found or did not respond to the request.
EFI_NO_MAPPING	17	A mapping to a device does not exist.
EFI_TIMEOUT	18	The timeout time expired.
EFI_NOT_STARTED	19	The protocol has not been started.
EFI_ALREADY_STARTED	20	The protocol has already been started.
EFI_ABORTED	21	The operation was aborted.
EFI_ICMP_ERROR	22	An ICMP error occurred during the network operation.
EFI_TFTP_ERROR	23	A TFTP error occurred during the network operation.
EFI_PROTOCOL_ERROR	24	A protocol error occurred during the network operation.
EFI_INCOMPATIBLE_VERSION	25	The function encountered an internal version that was incompatible with a version requested by the caller.
EFI_SECURITY_VIOLATION	26	The function was not performed due to a security violation.
EFI_CRC_ERROR	27	A CRC error was detected.
EFI_END_OF_MEDIA	28	Beginning or end of media was reached
EFI_END_OF_FILE	31	The end of the file was reached.

**Table 177. EFI\_STATUS Warning Codes (High Bit Clear)**

<b>Mnemonic</b>	<b>Value</b>	<b>Description</b>
EFI_WARN_UNKOWN_GLYPH	1	The Unicode string contained one or more characters that the device could not render and were skipped.
EFI_WARN_DELETE_FAILURE	2	The handle was closed, but the file was not deleted.
EFI_WARN_WRITE_FAILURE	3	The handle was closed, but the data to the file was not flushed properly.
EFI_WARN_BUFFER_TOO_SMALL	4	The resulting buffer was too small, and the data was truncated to the buffer size.



# Appendix E

## Universal Network Driver Interfaces

---

### E.1 Introduction

This appendix defines the 32/64-bit H/W and S/W Universal Network Driver Interfaces (UNDIs). These interfaces provide one method for writing a network driver; other implementations are possible.

#### E.1.1 Definitions

**Table 178. Definitions**

<b>Term</b>	<b>Definition</b>
BC	<b>BaseCode</b> The PXE BaseCode, included as a core protocol in EFI, is comprised of a simple network stack (UDP/IP) and a few common network protocols (DHCP, Bootserver Discovery, TFTP) that are useful for remote booting machines.
LOM	<b>LAN On Motherboard</b> This is a network device that is built onto the motherboard (or baseboard) of the machine.
NBP	<b>Network Bootstrap Program</b> This is the first program that is downloaded into a machine that has selected a PXE capable device for remote boot services. A typical NBP examines the machine it is running on to try to determine if the machine is capable of running the next layer (OS or application). If the machine is not capable of running the next layer, control is returned to the EFI boot manager and the next boot device is selected. If the machine is capable, the next layer is downloaded and control can then be passed to the downloaded program. Though most NBPs are OS loaders, NBPs can be written to be standalone applications such as diagnostics, backup/restore, remote management agents, browsers, etc.
NIC	<b>Network Interface Card</b> Technically, this is a network device that is inserted into a bus on the motherboard or in an expansion board. For the purposes of this document, the term NIC will be used in a generic sense, meaning any device that enables a network connection (including LOMs and network devices on external busses (USB, 1394, etc.)).
ROM	<b>Read-Only Memory</b> When used in this specification, ROM refers to a nonvolatile memory storage device on a NIC.

Term	Definition
PXE	<p data-bbox="402 281 776 306"><b>Preboot Execution Environment</b></p> <p data-bbox="402 319 1360 344">The complete PXE specification covers three areas; the client, the network and the server.</p> <p data-bbox="402 359 477 384"><b>Client</b></p> <ul data-bbox="402 396 1305 459" style="list-style-type: none"> <li data-bbox="402 396 922 422">• Makes network devices into bootable devices.</li> <li data-bbox="402 432 1305 457">• Provides APIs for PXE protocol modules in EFI and for universal drivers in the OS.</li> </ul> <p data-bbox="402 472 505 497"><b>Network</b></p> <ul data-bbox="402 510 1317 648" style="list-style-type: none"> <li data-bbox="402 510 911 535">• Uses existing technology: DHCP, TFTP, etc.</li> <li data-bbox="402 546 1317 571">• Adds “vendor specific” tags to DHCP to define PXE specific operation within DHCP.</li> <li data-bbox="402 581 1130 606">• Adds multicast TFTP for high bandwidth remote boot applications.</li> <li data-bbox="402 617 1081 642">• Defines Bootserver discovery based on DHCP packet format.</li> </ul> <p data-bbox="402 657 483 682"><b>Server</b></p> <ul data-bbox="402 695 1409 976" style="list-style-type: none"> <li data-bbox="402 695 1338 758">• <b>Bootserver:</b> Responds to Bootserver discovery requests and serves up remote boot images.</li> <li data-bbox="402 768 1409 844">• <b>proxyDHCP:</b> Used to ease the transition of PXE clients and servers into existing network infrastructure. proxyDHCP provides the additional DHCP information that is needed by PXE clients and Bootservers without making changes to existing DHCP servers.</li> <li data-bbox="402 854 971 879">• <b>MTFTP:</b> Adds multicast support to a TFTP server.</li> <li data-bbox="402 890 1409 976">• <b>Plug-In Modules:</b> Example proxyDHCP and Bootservers provided in the PXE SDK (software development kit) have the ability to take plug-in modules (PIMs). These PIMs are used to change/enhance the capabilities of the proxyDHCP and Bootservers.</li> </ul>
UNDI	<p data-bbox="402 989 808 1014"><b>Universal Network Device Interface</b></p> <p data-bbox="402 1026 1414 1182">UNDI is an architectural interface to NICs. Traditionally NICs have had custom interfaces and custom drivers (each NIC had a driver for each OS on each platform architecture). Two variations of UNDI are defined in this specification: H/W UNDI and S/W UNDI. H/W UNDI is an architectural hardware interface to a NIC. S/W UNDI is a software implementation of the H/W UNDI.</p>



## E.1.2 Referenced Specifications

When implementing PXE services, protocols, ROMs or drivers, it is a good idea to understand the related network protocols and BIOS specifications. Table 179 below includes all of the specifications referenced in this document.

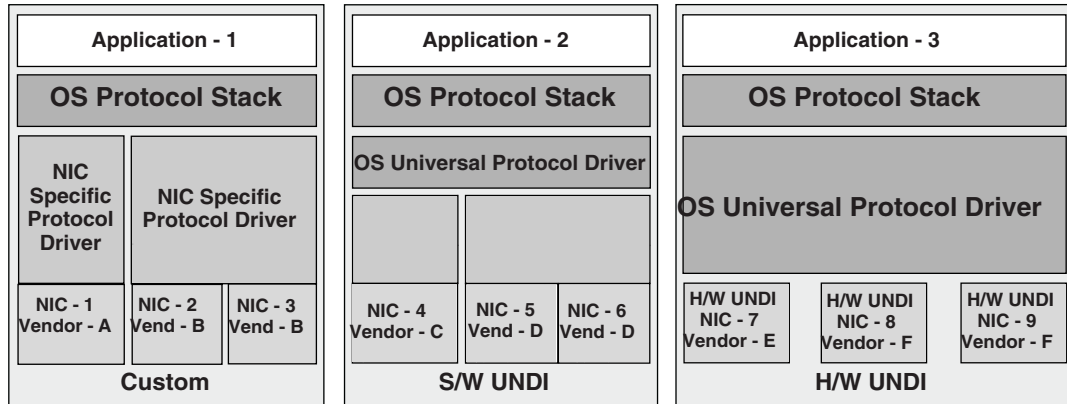
**Table 179. Referenced Specifications**

Acronym	Protocol/Specification
ARP	<b>Address Resolution Protocol</b> – <a href="http://www.ietf.org/rfc/rfc0826.txt">http://www.ietf.org/rfc/rfc0826.txt</a> . Required reading for those implementing the PXE Base Code Protocol.
Assigned Numbers	Lists the reserved numbers used in the RFCs and in this specification - <a href="http://www.ietf.org/rfc/rfc3232.txt">http://www.ietf.org/rfc/rfc3232.txt</a>
BIOS	<b>Basic Input/Output System</b> – Contact your BIOS manufacturer for reference and programming manuals.
BOOTP	<b>Bootstrap Protocol</b> – <a href="http://www.ietf.org/rfc/rfc0951.txt">http://www.ietf.org/rfc/rfc0951.txt</a> , <a href="http://www.ietf.org/rfc/rfc1542.txt">http://www.ietf.org/rfc/rfc1542.txt</a> , and <a href="http://www.ietf.org/rfc/rfc1534.txt">http://www.ietf.org/rfc/rfc1534.txt</a> . - These references are included for backward compatibility. BC protocol supports DHCP and BOOTP. Required reading for those implementing the PXE Base Code Protocol BC protocol or PXE Bootservers.
DHCP	<b>Dynamic Host Configuration Protocol</b> DHCP for Ipv4 (protocol: <a href="http://www.ietf.org/rfc/rfc2131.txt">http://www.ietf.org/rfc/rfc2131.txt</a> , options: <a href="http://www.ietf.org/rfc/rfc2132.txt">http://www.ietf.org/rfc/rfc2132.txt</a> , <a href="http://www.ietf.org/rfc/rfc3203.txt">http://www.ietf.org/rfc/rfc3203.txt</a> , <a href="http://www.ietf.org/rfc/rfc3396.txt">http://www.ietf.org/rfc/rfc3396.txt</a> , <a href="http://www.ietf.org/rfc/rfc1534.txt">http://www.ietf.org/rfc/rfc1534.txt</a> ) Required reading for those implementing the PXE Base Code Protocol or PXE Bootservers.
EFI	<b>Extensible Firmware Interface</b> – <a href="http://developer.intel.com/technology/efi/index.htm">http://developer.intel.com/technology/efi/index.htm</a> Required reading for those implementing NBPs, OS loaders and preboot applications for machines with the EFI preboot environment.
ICMP	<b>Internet Control Message Protocol</b> ICMP for Ipv4: <a href="http://www.ietf.org/rfc/rfc0792.txt">http://www.ietf.org/rfc/rfc0792.txt</a> ICMP for Ipv6: <a href="http://www.ietf.org/rfc/rfc2463.txt">http://www.ietf.org/rfc/rfc2463.txt</a> Required reading for those implementing the BC protocol.
IETF	<b>Internet Engineering Task Force</b> – <a href="http://www.ietf.org/">http://www.ietf.org/</a> This is a good starting point for obtaining electronic copies of Internet standards, drafts, and RFCs.
IGMP	<b>Internet Group Management Protocol</b> – <a href="http://www.ietf.org/rfc/rfc3376.txt">http://www.ietf.org/rfc/rfc3376.txt</a> . Required reading for those implementing the PXE Base Code Protocol.
IP	<b>Internet Protocol</b> Ipv4: <a href="http://www.ietf.org/rfc/rfc0791.txt">http://www.ietf.org/rfc/rfc0791.txt</a> Ipv6: <a href="http://www.ietf.org/rfc/rfc2460.txt">http://www.ietf.org/rfc/rfc2460.txt</a> and <a href="http://www.ipv6.org">http://www.ipv6.org</a> Required reading for those implementing the BC protocol.
MTFTP	<b>Multicast TFTP</b> – Defined in the 16-bit PXE specification. Required reading for those implementing the PXE Base Code Protocol.
PCI	<b>Peripheral Component Interface</b> – <a href="http://www.pcisig.com/">http://www.pcisig.com/</a> - Source for PCI specifications. Required reading for those implementing S/W or H/W UNDI on a PCI NIC or LOM.
PnP	<b>Plug-and-Play</b> – <a href="http://www.phoenix.com/en/support/white+papers-specs/">http://www.phoenix.com/en/support/white+papers-specs/</a> Source for PnP specifications.

Acronym	Protocol/Specification
PXE	<b>Preboot eXecution Environment</b> 16-bit PXE v2.1: <a href="http://download.intel.com/labs/manage/wfm/download/pxespec.pdf">http://download.intel.com/labs/manage/wfm/download/pxespec.pdf</a> Required reading.
RFC	<b>Request For Comments</b> – <a href="http://www.ietf.org/rfc.html">http://www.ietf.org/rfc.html</a> and <a href="http://www.keywave.ad.jp/RFC/index.html">http://www.keywave.ad.jp/RFC/index.html</a>
TCP	<b>Transmission Control Protocol</b> TCPv4: <a href="http://www.ietf.org/rfc/rfc0793.txt">http://www.ietf.org/rfc/rfc0793.txt</a> TCPv6: <a href="ftp://ftp.ipv6.org/pub/rfc/rfc2147.txt">ftp://ftp.ipv6.org/pub/rfc/rfc2147.txt</a> Required reading for those implementing the PXE Base Code Protocol .
TFTP	<b>Trivial File Transfer Protocol</b> TFTP (protocol: <a href="http://www.ietf.org/rfc/rfc1350.txt">http://www.ietf.org/rfc/rfc1350.txt</a> , options: <a href="http://www.ietf.org/rfc/rfc2347.txt">http://www.ietf.org/rfc/rfc2347.txt</a> , <a href="http://www.ietf.org/rfc/rfc2348.txt">http://www.ietf.org/rfc/rfc2348.txt</a> , and <a href="http://www.ietf.org/rfc/rfc2349.txt">http://www.ietf.org/rfc/rfc2349.txt</a> ). Required reading for those implementing the PXE Base Code Protocol.
UDP	<b>User Datagram Protocol</b> UDP over IPv4: <a href="http://www.ietf.org/rfc/rfc0768.txt">http://www.ietf.org/rfc/rfc0768.txt</a> UDP over IPv6: <a href="http://www.ietf.org/rfc/rfc2454.txt">http://www.ietf.org/rfc/rfc2454.txt</a> Required reading for those implementing the PXE Base Code Protocol.
WfM	Wired for Management <a href="http://www.intel.com/labs/manage/wfm/wfmspecs.htm">http://www.intel.com/labs/manage/wfm/wfmspecs.htm</a>  Recommended reading for those implementing the PXE Base Code Protocol or PXE Bootservers.

### E.1.3 OS Network Stacks

This is a simplified overview of three OS network stacks that contain three types of network drivers: Custom, S/W UNDI and H/W UNDI. Figure 59 depicts an application bound to an OS protocol stack, which is in turn bound to a protocol driver that is bound to three NICs. Table 180 below gives a brief list of pros and cons about each type of driver implementation.



OM13182

Figure 59. Network Stacks with Three Classes of Drivers

**Table 180. Driver Types: Pros and Cons**

Driver	Pro	Con
Custom	<ul style="list-style-type: none"> <li>• Can be very fast and efficient. NIC vendor tunes driver to OS &amp; device.</li> <li>• OS vendor does not have to write NIC driver.</li> </ul>	<ul style="list-style-type: none"> <li>• New driver for each OS/architecture must be maintained by NIC vendor.</li> <li>• OS vendor must trust code supplied by third-party.</li> <li>• OS vendor cannot test all possible driver/NIC versions.</li> <li>• Driver must be installed before NIC can be used.</li> <li>• Possible performance sink if driver is poorly written.</li> <li>• Possible security risk if driver has back door.</li> </ul>
S/W UNDI	<ul style="list-style-type: none"> <li>• S/W UNDI driver is simpler than a Custom driver. Easier to test outside of the OS environment.</li> <li>• OS vendor can tune the universal protocol driver for best OS performance.</li> <li>• NIC vendor only has to write one driver per processor architecture.</li> </ul>	<ul style="list-style-type: none"> <li>• Slightly slower than Custom or H/W UNDI because of extra call layer between protocol stack and NIC.</li> <li>• S/W UNDI driver must be loaded before NIC can be used.</li> <li>• OS vendor has to write the universal driver.</li> <li>• Possible performance sink if driver is poorly written.</li> <li>• Possible security risk if driver has back door.</li> </ul>
H/W UNDI	<ul style="list-style-type: none"> <li>• H/W UNDI provides a common architectural interface to all network devices.</li> <li>• OS vendor controls all security and performance issues in network stack.</li> <li>• NIC vendor does not have to write any drivers.</li> <li>• NIC can be used without an OS or driver installed (preboot management).</li> </ul>	<ul style="list-style-type: none"> <li>• OS vendor has to write the universal driver (this might also be a Pro, depending on your point of view).</li> </ul>

## E.2 Overview

There are three major design changes between this specification and the 16-bit UNDI in version 2.1 of the PXE Specification:

- A new architectural hardware interface has been added.
- All UNDI commands use the same command format.
- BC is no longer part of the UNDI ROM.

### E.2.1 32/64-bit UNDI Interface

The !PXE structures are used locate and identify the type of 32/64-bit UNDI interface (H/W or S/W), as shown in Figure 60. These structures are normally only used by the system BIOS and universal network drivers.

!PXE H/W UNDI					!PXE S/W UNDI				
Offset	0x00	0x01	0x02	0x03	Offset	0x00	0x01	0x02	0x03
0x00	Signature				0x00	Signature			
0x04	Len	Fudge	Rev	IFcnt	0x04	Len	Fudge	Rev	IFcnt
0x08	Major	Minor	reserved		0x08	Major	Minor	reserved	
0x0C	Implementation				0x0C	Implementation			
0x10	reserved				0x10	Entry Point			
Len	Status								
Len + 0x04	Command				0x14				
Len + 0x08	CDBaddr				0x18	reserved		#bus	
Len + 0x0C					0x1C	BusTypes(s)			
					0x20	More BusTypes(s)			

OM13183

**Figure 60. !PXE Structures for H/W and S/W UNDI**

The !PXE structures used for H/W and S/W UNDI are similar but not identical. The difference in the format is tied directly to the differences required by the implementation. The !PXE structures for 32/64-bit UNDI are not compatible with the !PXE structure for 16-bit UNDI.

The !PXE structure for H/W UNDI is built into the NIC hardware. The first nine fields (from offsets 0x00 to 0x0F) are implemented as read-only memory (or ports). The last three fields (from Len to Len + 0x0F) are implemented as read/write memory (or ports). The optional reserved field at 0x10 is not defined in this specification and may be used for vendor data. How the location of the !PXE structure is found in system memory, or in I/O space is outlined in Section E.5, “UNDI as an EFI Runtime Driver.”

The !PXE structure for S/W UNDI can be loaded into system memory from one of three places; ROM on a NIC, system nonvolatile storage, or external storage. Since there are no direct memory or I/O ports available in the S/W UNDI !PXE structure, an indirect callable entry point is provided. S/W UNDI developers are free to make their internal designs as simple or complex as they desire, as long as all of the UNDI commands in this specification are implemented.

Descriptions of the fields in the !PXE structures is given in Table 181.

**Table 181. !PXE Structure Field Definitions**

Identifier	Value	Description
Signature	"!PXE"	!PXE structure signature. This field is used to locate an UNDI hardware or software interface in system memory (or I/O) space. '!' is in the first (lowest address) byte, 'P' is in the second byte, 'X' in the third and 'E' in the last. This field must be aligned on a 16-byte boundary (the last address byte must be zero).
Len	Varies	Number of !PXE structure bytes to checksum.  When computing the checksum of this structure the Len field MUST be used as the number of bytes to checksum. The !PXE structure checksum is computed by adding all of the bytes in the structure, starting with the first byte of the structure Signature: '!'. If the 8-bit sum of all of the unsigned bytes in this structure is not zero, this is not a valid !PXE structure.
Fudge	Varies	This field is used to make the 8-bit checksum of this structure equal zero.
Rev	0x02	Revision of this structure.
IFcnt	Varies	This field reports the number (minus one) of physical external network connections that are controlled by this !PXE interface. (If there is one network connector, this field is zero. If there are two network connectors, this field is one.)
Major	Varies	UNDI command interface. Minor revision number.  <b>0x00 (Alpha):</b> This version of UNDI does not operate as a runtime driver. The callback interface defined in the UNDI Start command is required.  <b>0x10 (Beta):</b> . This version of UNDI can operate as an OS runtime driver. The callback interface defined in the UNDI Start command is required
Minor	Varies	UNDI command interface. Minor revision number.  <b>0x00 (Alpha):</b> This version of UNDI does not operate as a runtime driver. The callback interface defined in the UNDI Start command is required.  <b>0x10 (Beta):</b> . This version of UNDI can operate as an OS runtime driver. The callback interface defined in the UNDI Start command is required.
reserved	0x0000	This field is reserved and must be set to zero.
Implementation	Varies	Identifies type of UNDI
		(S/W or H/W, 32 bit or 64 bit) and what features have been implemented. The implementation bits are defined below. Undefined bits must be set to zero by UNDI implementers. Applications/drivers must not rely on the contents of undefined bits (they may change later revisions).  Bit 0x00: Command completion interrupts supported (1) or not supported (0) Bit 0x01: Packet received interrupts supported (1) or not supported (0)

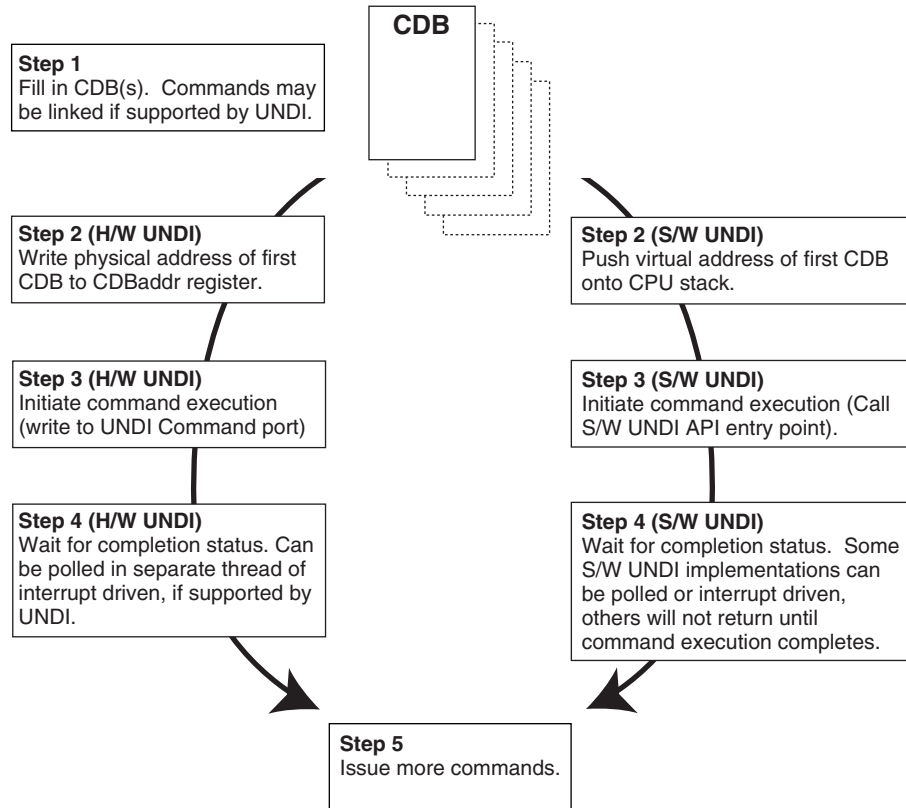
Identifier	Value	Description
		<p>Bit 0x02: Transmit complete interrupts supported (1) or not supported (0)</p> <p>Bit 0x03: Software interrupt supported (1) or not supported (0)</p> <p>Bit 0x04: Filtered multicast receives supported (1) or not supported (0)</p> <p>Bit 0x05: Broadcast receives supported (1) or not supported (0)</p> <p>Bit 0x06: Promiscuous receives supported (1) or not supported (0)</p> <p>Bit 0x07: Promiscuous multicast receives supported (1) or not supported (0)</p> <p>Bit 0x08: Station MAC address settable (1) or not settable (0)</p> <p>Bit 0x09: Statistics supported (1) or not supported (0)</p> <p>Bit 0x0A,0x0B: NvData not available (0), read only (1), sparse write supported (2), bulk write supported (3)</p> <p>Bit 0x0C: Multiple frames per command supported (1) or not supported (0)</p> <p>Bit 0x0D: Command queuing supported (1) or not supported (0)</p> <p>Bit 0x0E: Command linking supported (1) or not supported (0)</p> <p>Bit 0x0F: Packet fragmenting supported (1) or not supported (0)</p> <p>Bit 0x10: Device can address 64 bits (1) or only 32 bits (0)</p> <p>Bit 0x1E: S/W UNDI: Entry point is virtual address (1) or unsigned offset from start of IPXE structure (0).</p> <p>Bit 0x1F: Interface type: H/W UNDI (1) or S/W UNDI (0)</p>
<b>H/W UNDI Fields</b>		
Reserved	Varies	<p>This field is optional and may be used for OEM &amp; vendor unique data. If this field is present its length must be a multiple of 16 bytes and must be included in the IPXE structure checksum. This field, if present, will always start on a 16-byte boundary.</p> <p><b>Note:</b> The size/contents of the IPXE structure may change in future revisions of this specification. Do not rely on OEM &amp; vendor data starting at the same offset from the beginning of the IPXE structure. It is recommended that the OEM &amp; vendor data include a signature that drivers/applications can search for.</p>
Status	Varies	<p>UNDI operation, command and interrupt status flags.</p> <p>This is a read-only port. Undefined status bits must be set to zero. Reading this port does NOT clear the status.</p> <p>Bit 0x00: Command completion interrupt pending (1) or not pending (0)</p> <p>Bit 0x01: Packet received interrupt pending (1) or not pending (0)</p> <p>Bit 0x02: Transmit complete interrupt pending (1) or not pending (0)</p> <p>Bit 0x03: Software interrupt pending (1) or not pending (0)</p> <p>Bit 0x04: Command completion interrupts enabled (1) or disabled (0)</p> <p>Bit 0x05: Packet receive interrupts enabled (1) or disabled (0)</p> <p>Bit 0x06: Transmit complete interrupts enabled (1) or disabled (0)</p> <p>Bit 0x07: Software interrupts enabled (1) or disabled (0)</p> <p>Bit 0x08: Unicast receive enabled (1) or disabled (0)</p> <p>Bit 0x09: Filtered multicast receive enabled (1) or disabled (0)</p> <p>Bit 0x0A: Broadcast receive enabled (1) or disabled (0)</p>

Identifier	Value	Description
		Bit 0x0B: Promiscuous receive enabled (1) or disabled (0) Bit 0x0C: Promiscuous multicast receive enabled (1) or disabled (0) Bit 0x1D: Command failed (1) or command succeeded (0) Bits 0x1F:0x1E: UNDI state: Stopped (0), Started (1), Initialized (2), Busy (3)
Command	Varies	Use to execute commands, clear interrupt status and enable/disable receive levels. This is a read/write port. Read reflects the last write. Bit 0x00: Clear command completion interrupt (1) or NOP (0) Bit 0x01: Clear packet received interrupt (1) or NOP (0) Bit 0x02: Clear transmit complete interrupt (1) or NOP (0) Bit 0x03: Clear software interrupt (1) or NOP (0) Bit 0x04: Command completion interrupt enable (1) or disable (0) Bit 0x05: Packet receive interrupt enable (1) or disable (0) Bit 0x06: Transmit complete interrupt enable (1) or disable (0) Bit 0x07: Software interrupt enable (1) or disable (0). Setting this bit to (1) also generates a software interrupt. Bit 0x08: Unicast receive enable (1) or disable (0) Bit 0x09: Filtered multicast receive enable (1) or disable (0) Bit 0x0A: Broadcast receive enable (1) or disable (0) Bit 0x0B: Promiscuous receive enable (1) or disable (0) Bit 0x0C: Promiscuous multicast receive enable (1) or disable (0) Bit 0x1F: Operation type: Clear interrupt and/or filter (0), Issue command (1)
CDBaddr	Varies	Write the physical address of a CDB to this port. (Done with one 64-bit or two 32-bit writes, depending on processor architecture.) When done, use one 32-bit write to the command port to send this address into the command queue. Unused upper address bits must be set to zero.
<b>S/W UNDI Fields</b>		
EntryPoint	Varies	S/W UNDI API entry point address. This is either a virtual address or an offset from the start of the !PXE structure. Protocol drivers will push the 64-bit virtual address of a CDB on the stack and then call the UNDI API entry point. When control is returned to the protocol driver, the protocol driver must remove the address of the CDB from the stack.
reserved	Zero	Reserved for future use.
BusTypeCnt	Varies	This field is the count of 4-byte BusType entries in the next field.
BusType	Varies	This field defines the type of bus S/W UNDI is written to support: "PCIR," "PCCR," "USBR" or "1394." This field is formatted like the Signature field. If the S/W UNDI supports more than one BusType there will be more than one BusType identifier in this field.



### E.2.1.1 Issuing UNDI Commands

How commands are written and status is checked varies a little depending on the type of UNDI (H/W or S/W) implementation being used. The command flowchart shown in Figure 61 is a high-level diagram on how commands are written to both H/W and S/W UNDI.



OM13184

Figure 61. Issuing UNDI Commands

## E.2.2 UNDI Command Format

The format of the CDB is the same for all UNDI commands. Figure 62 shows the structure of the CDB. Some of the commands do not use or always require the use of all of the fields in the CDB. When fields are not used they must be initialized to zero or the UNDI will return an error. The StatCode and StatFlags fields must always be initialized to zero or the UNDI will return an error. All reserved fields (and bit fields) must be initialized to zero or the UNDI will return an error.

Basically, the rule is: Do it right, or don't do it at all.

CDB Command Descriptor Block				
Offset	0x00	0x01	0x02	0x03
0x00	OpCode		OpFlags	
0x04	CPBsize		DBsize	
0x08	CPBaddr			
0x0C				
0x10	DBaddr			
0x14				
0x18	StatCode		StatFlags	
0x1C	IFnum		Control	

OM13185

**Figure 62. UNDI Command Descriptor Block (CDB)**

Descriptions of the CDB fields are given in Table 182.

**Table 182. UNDI CDB Field Definitions**

Identifier	Description
OpCode	<p><b>Operation Code</b> (Function Number, Command Code, etc.)</p> <p>This field is used to identify the command being sent to the UNDI. The meanings of some of the bits in the OpFlags and StatFlags fields, and the format of the CPB and DB structures depends on the value in the OpCode field. Commands sent with an OpCode value that is not defined in this specification will not be executed and will return a StatCode of <b>PXE_STATCODE_INVALID_CDB</b>.</p>
OpFlags	<p><b>Operation Flags</b></p> <p>This bit field is used to enable/disable different features in a specific command operation. It is also used to change the format/contents of the CPB and DB structures. Commands sent with reserved bits set in the OpFlags field will not be executed and will return a StatCode of <b>PXE_STATCODE_INVALID_CDB</b>.</p>

Identifier	Description
CPBsize	<p><b>Command Parameter Block Size</b></p> <p>This field should be set to a number that is equal to the number of bytes that will be read from CPB structure during command execution. Setting this field to a number that is too small will cause the command to not be executed and a StatCode of <b>PXE_STATCODE_INVALID_CDB</b> will be returned.</p> <p>The contents of the CPB structure will not be modified.</p>
DBsize	<p><b>Data Block Size</b></p> <p>This field should be set to a number that is equal to the number of bytes that will be written into the DB structure during command execution. Setting this field to a number that is smaller than required will cause an error. It may be zero in some cases where the information is not needed.</p>
CPBaddr	<p><b>Command Parameter Block Address</b></p> <p>For H/W UNDI, this field must be the physical address of the CPB structure. For S/W UNDI, this field must be the virtual address of the CPB structure. If the operation does not have/use a CPB, this field must be initialized to <b>PXE_CPBADDR_NOT_USED</b>. Setting up this field incorrectly will cause command execution to fail and a StatCode of <b>PXE_STATCODE_INVALID_CDB</b> will be returned.</p>
DBaddr	<p><b>Data Block Address</b></p> <p>For H/W UNDI, this field must be the physical address of the DB structure. For S/W UNDI, this field must be the virtual address of the DB structure. If the operation does not have/use a CPB, this field must be initialized to <b>PXE_DBADDR_NOT_USED</b>. Setting up this field incorrectly will cause command execution to fail and a StatCode of <b>PXE_STATCODE_INVALID_CDB</b> will be returned.</p>
StatCode	<p><b>Status Code</b></p> <p>This field is used to report the type of command completion: success or failure (and the type of failure). This field must be initialized to zero before the command is issued. The contents of this field is not valid until the <b>PXE_STATFLAGS_COMMAND_COMPLETE</b> status flag is set. If this field is not initialized to <b>PXE_STATCODE_INITIALIZE</b> the UNDI command will not execute and a StatCode of <b>PXE_STATCODE_INVALID_CDB</b> will be returned.</p>
StatFlags	<p><b>Status Flags</b></p> <p>This bit field is used to report command completion and identify the format, if any, of the DB structure. This field must be initialized to zero before the command is issued. Until the command state changes to error or complete, all other CDB fields must not be changed. If this field is not initialized to <b>PXE_STATFLAGS_INITIALIZE</b> the UNDI command will not execute and a StatCode of <b>PXE_STATCODE_INVALID_CDB</b> will be returned.</p> <p>Bits 0x0F &amp; 0x0E: Command state: Not started (0), Queued (1), Error (2), Complete (3).</p>
IFnum	<p><b>Interface Number</b></p> <p>This field is used to identify which network adapter (S/W UNDI) or network connector (H/W UNDI) this command is being sent to. If an invalid interface number is given, the command will not execute and a StatCode of <b>PXE_STATCODE_INVALID_CDB</b> will be returned.</p>

Identifier	Description
Control	<p><b>Process Control</b></p> <p>This bit field is used to control command UNDI inter-command processing. Setting control bits that are not supported by the UNDI will cause the command execution to fail with a StatCode of <b>PXE_STATCODE_INVALID_CDB</b>.</p> <p>Bit 0x00: Another CDB follows this one (1) or this is the last or only CDB in the list (0).</p> <p>Bit 0x01: Queue command if busy (1), fail if busy (0).</p>

## E.3 UNDI C Definitions

The definitions in this section are used to aid in the portability and readability of the example 32/64-bit S/W UNDI source code and the rest of this specification.

### E.3.1 Portability Macros

These macros are used for storage and communication portability.

#### E.3.1.1 PXE\_INTEL\_ORDER or PXE\_NETWORK\_ORDER

This macro is used to control conditional compilation in the S/W UNDI source code. One of these definitions needs to be uncommented in a common PXE header file.

```

//#define PXE_INTEL_ORDER      1      // little-endian
//#define PXE_NETWORK_ORDER   1      // big-endian

```

#### E.3.1.2 PXE\_UINT64\_SUPPORT or PXE\_NO\_UINT64\_SUPPORT

This macro is used to control conditional compilation in the PXE source code. One of these definitions must to be uncommented in the common PXE header file.

```

//#define PXE_UINT64_SUPPORT   1      // UINT64 supported
//#define PXE_NO_UINT64_SUPPORT 1      // UINT64 not supported

```

### E.3.1.3 PXE\_BUSTYPE

Used to convert a 4-character ASCII identifier to a 32-bit unsigned integer.

```
#if PXE_INTEL_ORDER
#define PXE_BUSTYPE(a,b,c,d) \
(((PXE_UINT32)(d) & 0xFF) << 24) | \
(((PXE_UINT32)(c) & 0xFF) << 16) | \
(((PXE_UINT32)(b) & 0xFF) << 8) | \
((PXE_UINT32)(a) & 0xFF)
#else
#define PXE_BUSTYPE(a,b,c,d) \
(((PXE_UINT32)(a) & 0xFF) << 24) | \
(((PXE_UINT32)(b) & 0xFF) << 16) | \
(((PXE_UINT32)(c) & 0xFF) << 8) | \
((PXE_UINT32)(f) & 0xFF)
#endif

//*****
// UNDI ROM ID and devive ID signature
//*****
#define PXE_BUSTYPE_PXE PXE_BUSTYPE('!', 'P', 'X', 'E')

//*****
// BUS ROM ID signatures
//*****
#define PXE_BUSTYPE_PCI PXE_BUSTYPE('P', 'C', 'I', 'R')
#define PXE_BUSTYPE_PC_CARD PXE_BUSTYPE('P', 'C', 'C', 'R')
#define PXE_BUSTYPE_USB PXE_BUSTYPE('U', 'S', 'B', 'R')
#define PXE_BUSTYPE_1394 PXE_BUSTYPE('1', '3', '9', '4')
```

### E.3.1.4 PXE\_SWAP\_UINT16

This macro swaps bytes in a 16-bit word.

```
#ifndef PXE_INTEL_ORDER
#define PXE_SWAP_UINT16(n) \
(((PXE_UINT16)(n) & 0x00FF) << 8) | \
(((PXE_UINT16)(n) & 0xFF00) >> 8)
#else
#define PXE_SWAP_UINT16(n) (n)
#endif
```

### E.3.1.5 PXE\_SWAP\_UINT32

This macro swaps bytes in a 32-bit word.

```
#ifdef PXE_INTEL_ORDER
#define PXE_SWAP_UINT32(n) \
(((PXE_UINT32)(n) & 0x000000FF) << 24) | \
(((PXE_UINT32)(n) & 0x0000FF00) << 8) | \
(((PXE_UINT32)(n) & 0x00FF0000) >> 8) | \
(((PXE_UINT32)(n) & 0xFF000000) >> 24)
#else
#define PXE_SWAP_UINT32(n) (n)
#endif
```

### E.3.1.6 PXE\_SWAP\_UINT64

This macro swaps bytes in a 64-bit word for compilers that support 64-bit words.

```
#if PXE_UINT64_SUPPORT != 0
#ifdef PXE_INTEL_ORDER
#define PXE_SWAP_UINT64(n) \
((((PXE_UINT64)(n) & 0x00000000000000FF) << 56) | \
(((PXE_UINT64)(n) & 0x000000000000FF00) << 40) | \
(((PXE_UINT64)(n) & 0x0000000000FF0000) << 24) | \
(((PXE_UINT64)(n) & 0x00000000FF000000) << 8) | \
(((PXE_UINT64)(n) & 0x000000FF00000000) >> 8) | \
(((PXE_UINT64)(n) & 0x0000FF0000000000) >> 24) | \
(((PXE_UINT64)(n) & 0x00FF000000000000) >> 40) | \
(((PXE_UINT64)(n) & 0xFF00000000000000) >> 56)
#else
#define PXE_SWAP_UINT64(n) (n)
#endif
#endif // PXE_UINT64_SUPPORT
```

This macro swaps bytes in a 64-bit word, in place, for compilers that do not support 64-bit words.

This version of the 64-bit swap macro cannot be used in expressions.

```
#if PXE_NO_UINT64_SUPPORT != 0
#ifdef PXE_INTEL_ORDER
#define PXE_SWAP_UINT64(n) \
{ \
    PXE_UINT32 tmp = (PXE_UINT64)(n)[1]; \
    (PXE_UINT64)(n)[1] = PXE_SWAP_UINT32((PXE_UINT64)(n)[0]); \
    (PXE_UINT64)(n)[0] = PXE_SWAP_UINT32(tmp); \
}
#else
#define PXE_SWAP_UINT64(n) (n)
#endif
#endif // PXE_NO_UINT64_SUPPORT
```

## E.3.2 Miscellaneous Macros

### E.3.2.1 Miscellaneous

```
#define PXE_CPBSIZE_NOT_USED    0           // zero
#define PXE_DBSIZE_NOT_USED    0           // zero
#define PXE_CPBADDR_NOT_USED   (PXE_UINT64)0 // zero
#define PXE_DBADDR_NOT_USED    (PXE_UINT64)0 // zero
```

## E.3.3 Portability Types

The examples given below are just that, examples. The actual typedef instructions used in a new implementation may vary depending on the compiler and processor architecture.

The storage sizes defined in this section are critical for PXE module inter-operation. All of the portability typedefs define little endian (Intel® format) storage. The least significant byte is stored in the lowest memory address and the most significant byte is stored in the highest memory address, as shown in Figure 63.

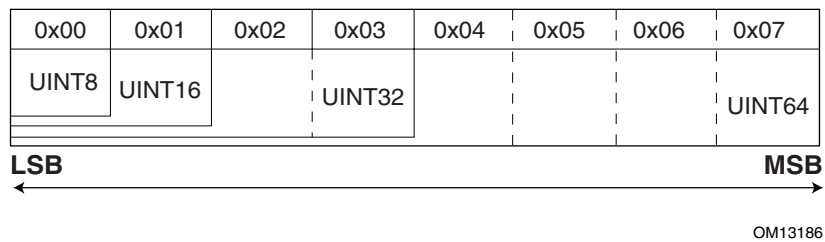


Figure 63. Storage Types

### E.3.3.1 PXE\_CONST

The const type does not allocate storage. This type is a modifier that is used to help the compiler optimize parameters that do not change across function calls.

```
#define PXE_CONST const
```

### E.3.3.2 PXE\_VOLATILE

The volatile type does not allocate storage. This type is a modifier that is used to help the compiler deal with variables that can be changed by external procedures or hardware events.

```
#define PXE_VOLATILE volatile
```

### E.3.3.3 PXE\_VOID

The void type does not allocate storage. This type is used only to prototype functions that do not return any information and/or do not take any parameters.

```
typedef void PXE_VOID;
```

### E.3.3.4 PXE\_UINT8

Unsigned 8-bit integer.

```
typedef unsigned char PXE_UINT8;
```

### E.3.3.5 PXE\_UINT16

Unsigned 16-bit integer.

```
typedef unsigned short PXE_UINT16;
```

### E.3.3.6 PXE\_UINT32

Unsigned 32-bit integer.

```
typedef unsigned PXE_UINT32;
```

### E.3.3.7 PXE\_UINT64

Unsigned 64-bit integer.

```
#if PXE_UINT64_SUPPORT != 0
typedef unsigned long PXE_UINT64;
#endif // PXE_UINT64_SUPPORT
```

If a 64-bit integer type is not available in the compiler being used, use this definition:

```
#if PXE_NO_UINT64_SUPPORT != 0
typedef PXE_UINT32 PXE_UINT64[2];
#endif // PXE_NO_UINT64_SUPPORT
```

### E.3.3.8 PXE\_UINTN

Unsigned integer that is the default word size used by the compiler. This needs to be at least a 32-bit unsigned integer.

```
typedef unsigned PXE_UINTN;
```



## E.3.4 Simple Types

The PXE simple types are defined using one of the portability types from the previous section.

### E.3.4.1 PXE\_BOOL

Boolean (true/false) data type. For PXE zero is always false and nonzero is always true.

```
typedef PXE_UINT8    PXE_BOOL;
#define PXE_FALSE    0    // zero
#define PXE_TRUE     (!PXE_FALSE)
```

### E.3.4.2 PXE\_OPCODE

UNDI OpCode (command) descriptions are given in the next chapter. There are no BC OpCodes, BC protocol functions are discussed later in this document.

```
typedef PXE_UINT16 PXE_OPCODE;

// Return UNDI operational state.
#define PXE_OPCODE_GET_STATE          0x0000

// Change UNDI operational state from Stopped to Started.
#define PXE_OPCODE_START              0x0001

// Change UNDI operational state from Started to Stopped.
#define PXE_OPCODE_STOP               0x0002

// Get UNDI initialization information.
#define PXE_OPCODE_GET_INIT_INFO      0x0003

// Get NIC configuration information.
#define PXE_OPCODE_GET_CONFIG_INFO    0x0004

// Changed UNDI operational state from Started to Initialized.
#define PXE_OPCODE_INITIALIZE         0x0005

// Reinitialize the NIC H/W.
#define PXE_OPCODE_RESET               0x0006

// Change the UNDI operational state from Initialized to Started.
#define PXE_OPCODE_SHUTDOWN           0x0007

// Read & change state of external interrupt enables.
#define PXE_OPCODE_INTERRUPT_ENABLES  0x0008

// Read & change state of packet receive filters.
#define PXE_OPCODE_RECEIVE_FILTERS    0x0009
```

```

// Read & change station MAC address.
#define PXE_OPCODE_STATION_ADDRESS          0x000A

// Read traffic statistics.
#define PXE_OPCODE_STATISTICS              0x000B

// Convert multicast IP address to multicast MAC address.
#define PXE_OPCODE_MCAST_IP_TO_MAC        0x000C

// Read or change nonvolatile storage on the NIC.
#define PXE_OPCODE_NVDATA                  0x000D

// Get & clear interrupt status.
#define PXE_OPCODE_GET_STATUS              0x000E

// Fill media header in packet for transmit.
#define PXE_OPCODE_FILL_HEADER             0x000F

// Transmit packet(s).
#define PXE_OPCODE_TRANSMIT                0x0010

// Receive packet.
#define PXE_OPCODE_RECEIVE                 0x0011

// Last valid PXE UNDI OpCode number.
#define PXE_OPCODE_LAST_VALID              0x0011

```

### E.3.4.3 PXE\_OPFLAGS

```

typedef PXE_UINT16 PXE_OPFLAGS;

#define PXE_OPFLAGS_NOT_USED                0x0000

//*****
// UNDI Get State
//*****

// No OpFlags

//*****
// UNDI Start
//*****

// No OpFlags

```

```

//*****
// UNDI Stop
//*****

// No OpFlags

//*****
// UNDI Get Init Info
//*****

// No Opflags

//*****
// UNDI Get Config Info
//*****

// No Opflags

//*****
// UNDI Initialize
//*****

#define PXE_OPFLAGS_INITIALIZE_CABLE_DETECT_MASK      0x0001
#define PXE_OPFLAGS_INITIALIZE_DETECT_CABLE          0x0000
#define PXE_OPFLAGS_INITIALIZE_DO_NOT_DETECT_CABLE    0x0001

//*****
// UNDI Reset
//*****

#define PXE_OPFLAGS_RESET_DISABLE_INTERRUPTS         0x0001
#define PXE_OPFLAGS_RESET_DISABLE_FILTERS           0x0002

//*****
// UNDI Shutdown
//*****

// No OpFlags

//*****
// UNDI Interrupt Enables
//*****

// Select whether to enable or disable external interrupt
// signals. Setting both enable and disable will return
// PXE_STATCODE_INVALID_OPFLAGS.

```

```

#define PXE_OPFLAGS_INTERRUPT_OPMASK                0xC000
#define PXE_OPFLAGS_INTERRUPT_ENABLE                0x8000
#define PXE_OPFLAGS_INTERRUPT_DISABLE              0x4000
#define PXE_OPFLAGS_INTERRUPT_READ                  0x0000

// Enable receive interrupts. An external interrupt will be
// generated after a complete non-error packet has been received.

#define PXE_OPFLAGS_INTERRUPT_RECEIVE                0x0001

// Enable transmit interrupts. An external interrupt will be
// generated after a complete non-error packet has been
// transmitted.

#define PXE_OPFLAGS_INTERRUPT_TRANSMIT              0x0002

// Enable command interrupts. An external interrupt will be
// generated when command execution stops.

#define PXE_OPFLAGS_INTERRUPT_COMMAND                0x0004

// Generate software interrupt. Setting this bit generates an
// externalinterrupt, if it is supported by the hardware.

#define PXE_OPFLAGS_INTERRUPT_SOFTWARE              0x0008

//*****
// UNDI Receive Filters
//*****

// Select whether to enable or disable receive filters.
// Setting both enable and disable will return
// PXE_STATCODE_INVALID_OPCODE.

#define PXE_OPFLAGS_RECEIVE_FILTER_OPMASK            0xC000
#define PXE_OPFLAGS_RECEIVE_FILTER_ENABLE            0x8000
#define PXE_OPFLAGS_RECEIVE_FILTER_DISABLE            0x4000
#define PXE_OPFLAGS_RECEIVE_FILTER_READ              0x0000

// To reset the contents of the multicast MAC address filter
// list,set this OpFlag:

#define PXE_OPFLAGS_RECEIVE_FILTERS_RESET_MCAST_LIST  0x2000

// Enable unicast packet receiving. Packets sent to the
// current station MAC address will be received.

#define PXE_OPFLAGS_RECEIVE_FILTER_UNICAST            0x0001

```

```

// Enable broadcast packet receiving.  Packets sent to the
// broadcast MAC address will be received.

#define PXE_OPFLAGS_RECEIVE_FILTER_BROADCAST          0x0002

// Enable filtered multicast packet receiving.  Packets sent to
// anyof the multicast MAC addresses in the multicast MAC address
// filter list will be received.  If the filter list is empty, no
// multicast

#define PXE_OPFLAGS_RECEIVE_FILTER_FILTERED_MULTICAST 0x0004

// Enable promiscuous packet receiving.  All packets will be
// received.

#define PXE_OPFLAGS_RECEIVE_FILTER_PROMISCUOUS        0x0008

// Enable promiscuous multicast packet receiving.  All multicast
// packets will be received.

#define PXE_OPFLAGS_RECEIVE_FILTER_ALL_MULTICAST      0x0010

//*****
// UNDI Station Address
//*****

#define PXE_OPFLAGS_STATION_ADDRESS_READ              0x0000
#define PXE_OPFLAGS_STATION_ADDRESS_WRITE            0x0000
#define PXE_OPFLAGS_STATION_ADDRESS_RESET            0x0001

//*****
// UNDI Statistics
//*****

#define PXE_OPFLAGS_STATISTICS_READ                   0x0000
#define PXE_OPFLAGS_STATISTICS_RESET                 0x0001

//*****
// UNDI MCast IP to MAC
//*****

// Identify the type of IP address in the CPB.

#define PXE_OPFLAGS_MCAST_IP_TO_MAC_OPMASK           0x0003
#define PXE_OPFLAGS_MCAST_IPV4_TO_MAC                0x0000
#define PXE_OPFLAGS_MCAST_IPV6_TO_MAC                0x0001

```

```

//*****
// UNDI NvData
//*****

// Select the type of nonvolatile data operation.

#define PXE_OPFLAGS_NVDATA_OPMASK                0x0001
#define PXE_OPFLAGS_NVDATA_READ                 0x0000
#define PXE_OPFLAGS_NVDATA_WRITE               0x0001

//*****
// UNDI Get Status
//*****

// Return current interrupt status. This will also clear any
// interrupts that are currently set. This can be used in a
// polling routine. The interrupt flags are still set and
// cleared even when the interrupts are disabled.

#define PXE_OPFLAGS_GET_INTERRUPT_STATUS        0x0001

// Return list of transmitted buffers for recycling. Transmit
// buffers must not be changed or unallocated until they have
// recycled. After issuing a transmit command, wait for a
// transmit complete interrupt. When a transmit complete
// interrupt is received, read the transmitted buffers. Do not
// plan on getting one buffer per interrupt. Some NICs and UNDI's
// may transmit multiple buffers per interrupt.

#define PXE_OPFLAGS_GET_TRANSMITTED_BUFFERS    0x0002

//*****
// UNDI Fill Header
//*****

#define PXE_OPFLAGS_FILL_HEADER_OPMASK        0x0001
#define PXE_OPFLAGS_FILL_HEADER_FRAGMENTED   0x0001
#define PXE_OPFLAGS_FILL_HEADER_WHOLE        0x0000

//*****
// UNDI Transmit
//*****

// S/W UNDI only. Return after the packet has been transmitted.
// A transmit complete interrupt will still be generated and the
// transmit buffer will have to be recycled.

#define PXE_OPFLAGS_SWUNDI_TRANSMIT_OPMASK    0x0001
#define PXE_OPFLAGS_TRANSMIT_BLOCK           0x0001
#define PXE_OPFLAGS_TRANSMIT_DONT_BLOCK      0x0000

```

```

#define PXE_OPFLAGS_TRANSMIT_OPMASK                0x0002
#define PXE_OPFLAGS_TRANSMIT_FRAGMENTED          0x0002
#define PXE_OPFLAGS_TRANSMIT_WHOLE               0x0000

//*****
// UNDI Receive
//*****

// No OpFlags

```

### E.3.4.4 PXE\_STATFLAGS

```

typedef PXE_UINT16 PXE_STATFLAGS;

#define PXE_STATFLAGS_INITIALIZE                  0x0000

//*****
// Common StatFlags that can be returned by all commands.
//*****

// The COMMAND COMPLETE and COMMAND FAILED status flags must be
// implemented by all UNDI's. COMMAND_QUEUED is only needed by
// UNDI's that support command queuing.

#define PXE_STATFLAGS_STATUS_MASK                0xC000
#define PXE_STATFLAGS_COMMAND_COMPLETE          0xC000
#define PXE_STATFLAGS_COMMAND_FAILED            0x8000
#define PXE_STATFLAGS_COMMAND_QUEUED           0x4000

//*****
// UNDI Get State
//*****

#define PXE_STATFLAGS_GET_STATE_MASK            0x0003
#define PXE_STATFLAGS_GET_STATE_INITIALIZED     0x0002
#define PXE_STATFLAGS_GET_STATE_STARTED         0x0001
#define PXE_STATFLAGS_GET_STATE_STOPPED        0x0000

//*****
// UNDI Start
//*****

// No additional StatFlags

```

```

//*****
// UNDI Get Init Info
//*****

#define PXE_STATFLAGS_CABLE_DETECT_MASK                0x0001
#define PXE_STATFLAGS_CABLE_DETECT_NOT_SUPPORTED      0x0000
#define PXE_STATFLAGS_CABLE_DETECT_SUPPORTED         0x0001

//*****
// UNDI Initialize
//*****

#define PXE_STATFLAGS_INITIALIZED_NO_MEDIA            0x0001

//*****
// UNDI Reset
//*****

#define PXE_STATFLAGS_RESET_NO_MEDIA                  0x0001

//*****
// UNDI Shutdown
//*****

// No additional StatFlags

//*****
// UNDI Interrupt Enables
//*****

// If set, receive interrupts are enabled.
#define PXE_STATFLAGS_INTERRUPT_RECEIVE              0x0001

// If set, transmit interrupts are enabled.
#define PXE_STATFLAGS_INTERRUPT_TRANSMIT             0x0002

// If set, command interrupts are enabled.
#define PXE_STATFLAGS_INTERRUPT_COMMAND              0x0004

//*****
// UNDI Receive Filters
//*****

// If set, unicast packets will be received.
#define PXE_STATFLAGS_RECEIVE_FILTER_UNICAST        0x0001

```



```

// If set, broadcast packets will be received.
#define PXE_STATFLAGS_RECEIVE_FILTER_BROADCAST          0x0002

// If set, multicast packets that match up with the multicast
// address filter list will be received.
#define PXE_STATFLAGS_RECEIVE_FILTER_FILTERED_MULTICAST 0x0004

// If set, all packets will be received.
#define PXE_STATFLAGS_RECEIVE_FILTER_PROMISCUOUS        0x0008

// If set, all multicast packets will be received.
#define PXE_STATFLAGS_RECEIVE_FILTER_ALL_MULTICAST     0x0010

//*****
// UNDI Station Address
//*****

// No additional StatFlags

//*****
// UNDI Statistics
//*****

// No additional StatFlags

//*****
// UNDI MCast IP to MAC
//*****

// No additional StatFlags

//*****
// UNDI NvData
//*****

// No additional StatFlags

//*****
// UNDI Get Status
//*****

// Use to determine if an interrupt has occurred.
#define PXE_STATFLAGS_GET_STATUS_INTERRUPT_MASK        0x000F
#define PXE_STATFLAGS_GET_STATUS_NO_INTERRUPTS        0x0000

```

```

// If set, at least one receive interrupt occurred.
#define PXE_STATFLAGS_GET_STATUS_RECEIVE          0x0001

// If set, at least one transmit interrupt occurred.

#define PXE_STATFLAGS_GET_STATUS_TRANSMIT        0x0002

// If set, at least one command interrupt occurred.
#define PXE_STATFLAGS_GET_STATUS_COMMAND        0x0004

// If set, at least one software interrupt occurred.
#define PXE_STATFLAGS_GET_STATUS_SOFTWARE       0x0008

// This flag is set if the transmitted buffer queue is empty.
// This flag will be set if all transmitted buffer addresses
// get written into the DB.
#define PXE_STATFLAGS_GET_STATUS_TXBUF_QUEUE_EMPTY 0x0010

// This flag is set if no transmitted buffer addresses were
// written into the DB. (This could be because DBsize was
// too small.)
#define PXE_STATFLAGS_GET_STATUS_NO_TXBUFS_WRITTEN 0x0020

//*****
// UNDI Fill Header
//*****

// No additional StatFlags

//*****
// UNDI Transmit
//*****

// No additional StatFlags.

//*****
// UNDI Receive
//*****

// No additional StatFlags.

```

### E.3.4.5 PXE\_STATCODE

```
typedef PXE_UINT16 PXE_STATCODE;

#define PXE_STATCODE_INITIALIZE                0x0000

//*****
// Common StatCodes returned by all UNDI commands, UNDI protocol
// functions and BC protocol functions.
//*****

#define PXE_STATCODE_SUCCESS                  0x0000
#define PXE_STATCODE_INVALID_CDB              0x0001
#define PXE_STATCODE_INVALID_CPB              0x0002
#define PXE_STATCODE_BUSY                     0x0003
#define PXE_STATCODE_QUEUE_FULL               0x0004
#define PXE_STATCODE_ALREADY_STARTED          0x0005
#define PXE_STATCODE_NOT_STARTED              0x0006
#define PXE_STATCODE_NOT_SHUTDOWN             0x0007
#define PXE_STATCODE_ALREADY_INITIALIZED      0x0008
#define PXE_STATCODE_NOT_INITIALIZED          0x0009
#define PXE_STATCODE_DEVICE_FAILURE           0x000A
#define PXE_STATCODE_NVDATA_FAILURE           0x000B
#define PXE_STATCODE_UNSUPPORTED              0x000C
#define PXE_STATCODE_BUFFER_FULL              0x000D
#define PXE_STATCODE_INVALID_PARAMETER        0x000E
#define PXE_STATCODE_INVALID_UNDI             0x000F
#define PXE_STATCODE_IPV4_NOT_SUPPORTED       0x0010
#define PXE_STATCODE_IPV6_NOT_SUPPORTED       0x0011
#define PXE_STATCODE_NOT_ENOUGH_MEMORY        0x0012
#define PXE_STATCODE_NO_DATA                  0x0013
```

### E.3.4.6 PXE\_IFNUM

```
typedef PXE_UINT16 PXE_IFNUM;

// This interface number must be passed to the S/W UNDI Start
// command.

#define PXE_IFNUM_START                        0x0000

// This interface number is returned by the S/W UNDI Get State
// and Start commands if information in the CDB, CPB or DB is
// invalid.

#define PXE_IFNUM_INVALID                      0x0000
```

### E.3.4.7 PXE\_CONTROL

```
typedef PXE_UINT16 PXE_CONTROL;

// Setting this flag directs the UNDI to queue this command for
// later execution if the UNDI is busy and it supports command
// queuing. If queuing is not supported, a
// PXE_STATCODE_INVALID_CONTROL error is returned. If the queue
// is full, a PXE_STATCODE_CDB_QUEUE_FULL error is returned.

#define PXE_CONTROL_QUEUE_IF_BUSY 0x0002

// These two bit values are used to determine if there are more
// UNDI CDB structures following this one. If the link bit is
// set, there must be a CDB structure following this one.
// Execution will start on the next CDB structure as soon as this
// one completes successfully. If an error is generated by this
// command, execution will stop.

#define PXE_CONTROL_LINK 0x0001
#define PXE_CONTROL_LAST_CDB_IN_LIST 0x0000
```

### E.3.4.8 PXE\_FRAME\_TYPE

```
typedef PXE_UINT8 PXE_FRAME_TYPE;

#define PXE_FRAME_TYPE_NONE 0x00
#define PXE_FRAME_TYPE_UNICAST 0x01
#define PXE_FRAME_TYPE_BROADCAST 0x02
#define PXE_FRAME_TYPE_FILTERED_MULTICAST 0x03
#define PXE_FRAME_TYPE_PROMISCUOUS 0x04
#define PXE_FRAME_TYPE_PROMISCUOUS_MULTICAST 0x05
```

### E.3.4.9 PXE\_IPV4

This storage type is always big endian, not little endian.

```
typedef PXE_UINT32 PXE_IPV4;
```

### E.3.4.10 PXE\_IPV6

This storage type is always big endian, not little endian.

```
typedef struct s_PXE_IPV6 {
    PXE_UINT32 num[4];
} PXE_IPV6;
```

### E.3.4.11 PXE\_MAC\_ADDR

This storage type is always big endian, not little endian.

```
typedef struct {
    PXE_UINT8 num[32];
} PXE_MAC_ADDR;
```

### E.3.4.12 PXE\_IFTYPE

The interface type is returned by the Get Initialization Information command and is used by the BC DHCP protocol function. This field is also used for the low order 8-bits of the H/W type field in ARP packets. The high order 8-bits of the H/W type field in ARP packets will always be set to 0x00 by the BC.

```
typedef PXE_UINT8 PXE_IFTYPE;

// This information is from the ARP section of RFC 3232.

//      1 Ethernet (10Mb)
//      2 Experimental Ethernet (3Mb)
//      3 Amateur Radio AX.25
//      4 Proteon ProNET Token Ring
//      5 Chaos
//      6 IEEE 802 Networks
//      7 ARCNET
//      8 Hyperchannel
//      9 Lanstar
//     10 Autonet Short Address
//     11 LocalTalk
//     12 LocalNet (IBM PCNet or SYTEK LocalNET)
//     13 Ultra link
//     14 SMDS
//     15 Frame Relay
//     16 Asynchronous Transmission Mode (ATM)
//     17 HDLC
//     18 Fibre Channel
//     19 Asynchronous Transmission Mode (ATM)
//     20 Serial Line
//     21 Asynchronous Transmission Mode (ATM)

#define PXE_IFTYPE_ETHERNET                0x01
#define PXE_IFTYPE_TOKENRING              0x04
#define PXE_IFTYPE_FIBRE_CHANNEL          0x12
```

## E.3.5 Compound Types

All PXE structures must be byte packed.

### E.3.5.1 PXE\_HW\_UNDI

This section defines the C structures and #defines for the !PXE H/W UNDI interface.

```
#pragma pack(1)
typedef struct s_pxe_hw_undi {
    PXE_UINT32    Signature;           // PXE_ROMID_SIGNATURE
    PXE_UINT8     Len;                 // sizeof(PXE_HW_UNDI)
    PXE_UINT8     Fudge;              // makes 8-bit cksum equal zero
    PXE_UINT8     Rev;                 // PXE_ROMID_REV
    PXE_UINT8     IFcnt;              // physical connector count
    PXE_UINT8     MajorVer;           // PXE_ROMID_MAJORVER
    PXE_UINT8     MinorVer;           // PXE_ROMID_MINORVER
    PXE_UINT16    reserved;           // zero, not used
    PXE_UINT32    Implementation;     // implementation flags
} PXE_HW_UNDI;
#pragma pack()

// Status port bit definitions

// UNDI operation state

#define PXE_HWSTAT_STATE_MASK           0xC0000000
#define PXE_HWSTAT_BUSY                 0xC0000000
#define PXE_HWSTAT_INITIALIZED          0x80000000
#define PXE_HWSTAT_STARTED              0x40000000
#define PXE_HWSTAT_STOPPED              0x00000000

// If set, last command failed

#define PXE_HWSTAT_COMMAND_FAILED       0x20000000

// If set, identifies enabled receive filters

#define PXE_HWSTAT_PROMISCUOUS_MULTICAST_RX_ENABLED 0x00001000
#define PXE_HWSTAT_PROMISCUOUS_RX_ENABLED          0x00000800
#define PXE_HWSTAT_BROADCAST_RX_ENABLED           0x00000400
#define PXE_HWSTAT_MULTICAST_RX_ENABLED           0x00000200
#define PXE_HWSTAT_UNICAST_RX_ENABLED             0x00000100
```

```

// If set, identifies enabled external interrupts

#define PXE_HWSTAT_SOFTWARE_INT_ENABLED          0x00000080
#define PXE_HWSTAT_TX_COMPLETE_INT_ENABLED      0x00000040
#define PXE_HWSTAT_PACKET_RX_INT_ENABLED       0x00000020
#define PXE_HWSTAT_CMD_COMPLETE_INT_ENABLED    0x00000010

// If set, identifies pending interrupts

#define PXE_HWSTAT_SOFTWARE_INT_PENDING        0x00000008
#define PXE_HWSTAT_TX_COMPLETE_INT_PENDING     0x00000004
#define PXE_HWSTAT_PACKET_RX_INT_PENDING      0x00000002
#define PXE_HWSTAT_CMD_COMPLETE_INT_PENDING    0x00000001

// Command port definitions

// If set, CDB identified in CDBaddr port is given to UNDI.
// If not set, other bits in this word will be processed.

#define PXE_HWCMD_ISSUE_COMMAND                0x80000000
#define PXE_HWCMD_INTS_AND_FILTERS            0x00000000

// Use these to enable/disable receive filters.

#define PXE_HWCMD_PROMISCUOUS_MULTICAST_RX_ENABLE 0x00001000
#define PXE_HWCMD_PROMISCUOUS_RX_ENABLE         0x00000800
#define PXE_HWCMD_BROADCAST_RX_ENABLE         0x00000400
#define PXE_HWCMD_MULTICAST_RX_ENABLE         0x00000200
#define PXE_HWCMD_UNICAST_RX_ENABLE           0x00000100

// Use these to enable/disable external interrupts

#define PXE_HWCMD_SOFTWARE_INT_ENABLE          0x00000080
#define PXE_HWCMD_TX_COMPLETE_INT_ENABLE      0x00000040
#define PXE_HWCMD_PACKET_RX_INT_ENABLE       0x00000020
#define PXE_HWCMD_CMD_COMPLETE_INT_ENABLE    0x00000010

// Use these to clear pending external interrupts

#define PXE_HWCMD_CLEAR_SOFTWARE_INT          0x00000008
#define PXE_HWCMD_CLEAR_TX_COMPLETE_INT      0x00000004
#define PXE_HWCMD_CLEAR_PACKET_RX_INT       0x00000002
#define PXE_HWCMD_CLEAR_CMD_COMPLETE_INT     0x00000001

```

### E.3.5.2 PXE\_SW\_UNDI

This section defines the C structures and #defines for the !PXE S/W UNDI interface.

```
#pragma pack(1)
typedef struct s_pxe_sw_undi {
    PXE_UINT32    Signature;        // PXE_ROMID_SIGNATURE
    PXE_UINT8     Len;              // sizeof(PXE_SW_UNDI)
    PXE_UINT8     Fudge;           // makes 8-bit cksum zero
    PXE_UINT8     Rev;             // PXE_ROMID_REV
    PXE_UINT8     IFcnt;           // physical connector count
    PXE_UINT8     MajorVer;        // PXE_ROMID_MAJORVER
    PXE_UINT8     MinorVer;        // PXE_ROMID_MINORVER
    PXE_UINT16    reserved1;       // zero, not used
    PXE_UINT32    Implementation;  // Implementation flags
    PXE_UINT64    EntryPoint;       // API entry point
    PXE_UINT8     reserved2[3];     // zero, not used
    PXE_UINT8     BusCnt;          // number of bustypes supported
    PXE_UINT32    BusType[1];      // list of supported bustypes
} PXE_SW_UNDI;
#pragma pack()
```

### E.3.5.3 PXE\_UNDI

PXE\_UNDI combines both the H/W and S/W UNDI types into one typedef and has #defines for common fields in both H/W and S/W UNDI types.

```
#pragma pack(1)
typedef union u_pxe_undi {
    PXE_HW_UNDI  hw;
    PXE_SW_UNDI  sw;
} PXE_UNDI;
#pragma pack()

// Signature of !PXE structure

#define PXE_ROMID_SIGNATURE PXE_BUSTYPE('!', 'P', 'X', 'E')

// !PXE structure format revision

#define PXE_ROMID_REV                0x02

// UNDI command interface revision. These are the values that
// get sent in option 94 (Client Network Interface Identifier) in
// the DHCP Discover and PXE Boot Server Request packets.

#define PXE_ROMID_MAJORVER            0x03
#define PXE_ROMID_MINORVER           0x01
```



```

// Implementation flags

#define PXE_ROMID_IMP_HW_UNDI 0x80000000
#define PXE_ROMID_IMP_SW_VIRT_ADDR 0x40000000
#define PXE_ROMID_IMP_64BIT_DEVICE 0x00010000
#define PXE_ROMID_IMP_FRAG_SUPPORTED 0x00008000
#define PXE_ROMID_IMP_CMD_LINK_SUPPORTED 0x00004000
#define PXE_ROMID_IMP_CMD_QUEUE_SUPPORTED 0x00002000
#define PXE_ROMID_IMP_MULTI_FRAME_SUPPORTED 0x00001000
#define PXE_ROMID_IMP_NVDATA_SUPPORT_MASK 0x00000C00
#define PXE_ROMID_IMP_NVDATA_BULK_WRITABLE 0x00000C00
#define PXE_ROMID_IMP_NVDATA_SPARSE_WRITABLE 0x00000800
#define PXE_ROMID_IMP_NVDATA_READ_ONLY 0x00000400
#define PXE_ROMID_IMP_NVDATA_NOT_AVAILABLE 0x00000000
#define PXE_ROMID_IMP_STATISTICS_SUPPORTED 0x00000200
#define PXE_ROMID_IMP_STATION_ADDR_SETTABLE 0x00000100
#define PXE_ROMID_IMP_PROMISCUOUS_MULTICAST_RX_SUPPORTED \
0x00000080
#define PXE_ROMID_IMP_PROMISCUOUS_RX_SUPPORTED \
0x00000040
#define PXE_ROMID_IMP_BROADCAST_RX_SUPPORTED \
0x00000020
#define PXE_ROMID_IMP_FILTERED_MULTICAST_RX_SUPPORTED \
0x00000010
#define PXE_ROMID_IMP_SOFTWARE_INT_SUPPORTED \
0x00000008
#define PXE_ROMID_IMP_TX_COMPLETE_INT_SUPPORTED \
0x00000004
#define PXE_ROMID_IMP_PACKET_RX_INT_SUPPORTED \
0x00000002
#define PXE_ROMID_IMP_CMD_COMPLETE_INT_SUPPORTED \
0x00000001

```

### E.3.5.4 PXE\_CDB

PXE UNDI command descriptor block.

```

#pragma pack(1)
typedef struct s_pxe_cdb {
    PXE_OPCODE      OpCode;
    PXE_OPFLAGS     OpFlags;
    PXE_UINT16      CPBsize;
    PXE_UINT16      DBsize;
    PXE_UINT64      CPBaddr;
    PXE_UINT64      DBaddr;
    PXE_STATCODE    StatCode;
    PXE_STATFLAGS   StatFlags;
    PXE_UINT16      IFnum;
    PXE_CONTROL     Control;
} PXE_CDB;
#pragma pack()

```

### E.3.5.5 PXE\_IP\_ADDR

This storage type is always big endian, not little endian.

```
#pragma pack(1)
typedef union u_pxe_ip_addr {
    PXE_IPV6      IPv6;
    PXE_IPV4      IPv4;
} PXE_IP_ADDR;
#pragma pack()
```

### E.3.5.6 PXE\_DEVICE

This typedef is used to identify the network device that is being used by the UNDI. This information is returned by the Get Config Info command.

```
#pragma pack(1)
typedef union pxe_device {

    // PCI and PC Card NICs are both identified using bus, device
    // and function numbers. For PC Card, this may require PC
    // Card services to be loaded in the BIOS or preboot
    // environment.
    struct {
        // See S/W UNDI ROMID structure definition for PCI and
        // PCC BusType definitions.
        PXE_UINT32      BusType;

        // Bus, device & function numbers that locate this device.
        PXE_UINT16      Bus;
        PXE_UINT8       Device;
        PXE_UINT8       Function;
    } PCI, PCC;

} PXE_DEVICE;
#pragma pack()
```

## E.4 UNDI Commands

All 32/64-bit UNDI commands use the same basic command format, the CDB (Command Descriptor Block). CDB fields that are not used by a particular command must be initialized to zero by the application/driver that is issuing the command.

All UNDI implementations must set the command completion status (**PXE\_STATFLAGS\_COMMAND\_COMPLETE**) after command execution completes. Applications and drivers must not alter or rely on the contents of any of the CDB, CPB or DB fields until the command completion status is set.

All commands return status codes for invalid CDB contents and, if used, invalid CPB contents. Commands with invalid parameters will not execute. Fix the error and submit the command again.

Figure 64 describes the different UNDI states (Stopped, Started and Initialized), shows the transitions between the states and which UNDI commands are valid in each state.

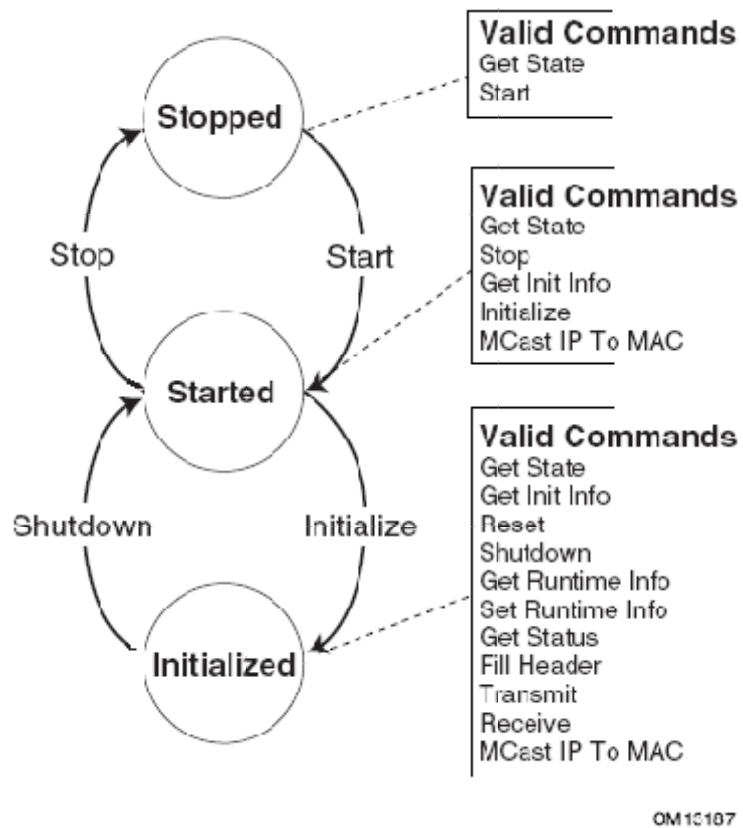


Figure 64. UNDI States, Transitions & Valid Commands

## NOTE

---

*All memory addresses including the CDB address, CPB address, and the DB address submitted to the S/W UNDI by the protocol drivers must be processor-based addresses. All memory addresses submitted to the H/W UNDI must be device based addresses.*

---

## NOTE

---

*Additional requirements for S/W UNDI implementations: Processor register contents must be unchanged by S/W UNDI command execution (the application/driver does not have to save processor registers when calling S/W UNDI). Processor arithmetic flags are undefined (application/driver must save processor arithmetic flags if needed). Application/driver must remove CDB address from stack after control returns from S/W UNDI.*

---

## NOTE

---

*Additional requirements for 32-bit network devices: All addresses given to the S/W UNDI must be 32-bit addresses. Any address that exceeds 32 bits (4 GB) will result in a return of one of the following status codes: `PXE_STATCODE_INVALID_PARAMETER`, `PXE_STATCODE_INVALID_CDB` or `PXE_STATCODE_INVALID_CPB`.*

---

When executing linked commands, command execution will stop at the end of the CDB list (when the **PXE\_CONTROL\_LINK** bit is not set) or when a command returns an error status code.

### E.4.1 Command Linking and Queuing

When linking commands, the CDBs must be stored consecutively in system memory without any gaps in between. Do not set the Link bit in the last CDB in the list. As shown in Figure 65, the Link bit must be set in all other CDBs in the list.

---

**Linked CDBs**

0x00	<b>CDB</b>
0x1F	Set Link bit.
0x20	<b>CDB</b>
0x3F	Set Link bit.
0x40	<b>CDB</b>
0x5F	Do not set Link bit.

OM13188

---

**Figure 65. Linked CDBs**

When the H/W UNDI is executing commands, the State bits in the Status field in the !PXE structure will be set to Busy (3).

When H/W or S/W UNDI is executing commands and a new command is issued, a StatCode of **PXE\_STATCODE\_BUSY** and a StatFlag of **PXE\_STATFLAG\_COMMAND\_FAILURE** is set in the CDB. For linked commands, only the first CDB will be set to Busy, all other CDBs will be unchanged. When a linked command fails, execution on the list stops. Commands after the failing command will not be run.

As shown in Figure 66, when queuing commands, only the first CDB needs to have the Queue Control flag set. If queuing is supported and the UNDI is busy and there is room in the command queue, the command (or list of commands) will be queued.

Queued CDBs	
0x00	<b>CDB</b>
0x1F	Set Queue bit. Set Link bit.
0x20	<b>CDB</b>
0x3F	Set Queue bit. Set Link bit.
0x40	<b>CDB</b>
0x5F	Set Queue bit. Set Link bit.

OM13189

**Figure 66. Queued CDBs**

When a command is queued a StatFlag of **PXE\_STATFLAG\_COMMAND\_QUEUED** is set (if linked commands are queued only the StatFlag of the first CDB gets set). This signals that the command was added to the queue. Commands in the queue will be run on a first-in, first-out, basis. When a command fails, the next command in the queue is run. When a linked command in the queue fails, execution on the list stops. The next command, or list of commands, that was added to the command queue will be run.

## E.4.2 Get State

This command is used to determine the operational state of the UNDI. An UNDI has three possible operational states:

**Stopped:** A stopped UNDI is free for the taking. When all interface numbers (IFnum) for a particular S/W UNDI are stopped, that S/W UNDI image can be relocated or removed. A stopped UNDI will accept [Get State](#) and [Start](#) commands.

**Started:** A started UNDI is in use. A started UNDI will accept [Get State](#), [Stop](#), [Get Init Info](#), and [Initialize](#) commands.

**Initialized:** An initialized UNDI is in used. An initialized UNDI will accept all commands except: [Start](#), [Stop](#), and [Initialize](#).

Drivers and applications must not start using UNDI's that have been placed into the Started or Initialized states by another driver or application.

3.0 and 3.1 S/W UNDI: No callbacks are performed by this UNDI command.

### E.4.2.1 Issuing the Command

To issue a Get State command, create a CDB and fill it in as shown in the table below:

CDB Field	How to initialize the CDB structure for a Get State command
OpCode	<code>PXE_OPCODE_GET_STATE</code>
OpFlags	<code>PXE_OPFLAGS_NOT_USED</code>
CPBsize	<code>PXE_CPBSIZE_NOT_USED</code>
DBsize	<code>PXE_DBSIZE_NOT_USED</code>
CPBaddr	<code>PXE_CPBADDR_NOT_USED</code>
DBaddr	<code>PXE_DBADDR_NOT_USED</code>
StatCode	<code>PXE_STATCODE_INITIALIZE</code>
StatFlags	<code>PXE_STATFLAGS_INITIALIZE</code>
IFnum	A valid interface number from zero to <code>!PXE.IFcnt</code>
Control	Set as needed

### E.4.2.2 Waiting for the Command to Execute

Monitor the upper two bits (14 & 15) in the **CDB.StatFlags** field. Until these bits change to report **PXE\_STATFLAGS\_COMMAND\_COMPLETE** or **PXE\_STATFLAGS\_COMMAND\_FAILED**, the command has not been executed by the UNDI.

StatFlags	Reason
COMMAND_COMPLETE	Command completed successfully. StatFlags contain operational state.
COMMAND_FAILED	Command failed. StatCode field contains error code.
COMMAND_QUEUED	Command has been queued. All other fields are unchanged.
INITIALIZE	Command has not been executed or queued.

### E.4.2.3 Checking Command Execution Results

After command execution completes, either successfully or not, the **CDB.StatCode** field contains the result of the command execution.

StatCode	Reason
SUCCESS	Command completed successfully. StatFlags contain operational state.
INVALID_CDB	One of the CDB fields was not set correctly.
BUSY	UNDI is already processing commands. Try again later.
QUEUE_FULL	Command queue is full. Try again later.

If the command completes successfully, use **PXE\_STATFLAGS\_GET\_STATE\_MASK** to check the state of the UNDI.

StatFlags	Reason
STOPPED	The UNDI is stopped.
STARTED	The UNDI is started, but not initialized.
INITIALIZED	The UNDI is initialized.



## E.4.3 Start

This command is used to change the UNDI operational state from stopped to started. No other operational checks are made by this command. Protocol driver makes this call for each network interface supported by the UNDI with a set of call back routines and a unique identifier to identify the particular interface. UNDI does not interpret the unique identifier in any way except that it is a 64-bit value and it will pass it back to the protocol driver as a parameter to all the call back routines for any particular interface. If this is a S/W UNDI, the callback functions Delay(), Virt2Phys(), Map\_Mem(), UnMap\_Mem(), and Sync\_Mem() functions will not be called by this command.

### E.4.3.1 Issuing the Command

To issue a Start command for H/W UNDI, create a CDB and fill it in as shows in the table below:

CDB Field	How to initialize the CDB structure for a H/W UNDI Start command
OpCode	<code>PXE_OPCODE_START</code>
OpFlags	<code>PXE_OPFLAGS_NOT_USED</code>
CPBsize	<code>PXE_CPBSIZE_NOT_USED</code>
DBsize	<code>PXE_DBSIZE_NOT_USED</code>
CPBaddr	<code>PXE_CPBADDR_NOT_USED</code>
DBaddr	<code>PXE_DBADDR_NOT_USED</code>
StatCode	<code>PXE_STATCODE_INITIALIZE</code>
StatFlags	<code>PXE_STATFLAGS_INITIALIZE</code>
IFnum	A valid interface number from zero to <code>!PXE.IFcnt</code>
Control	Set as needed

To issue a Start command for S/W UNDI, create a CDB and fill it in as shows in the table below:

CDB Field	How to initialize the CDB structure for a S/W UNDI Start command
OpCode	<code>PXE_OPCODE_START</code>
OpFlags	<code>PXE_OPFLAGS_NOT_USED</code>
CPBsize	<code>sizeof(PXE_CPB_START)</code>
DBsize	<code>PXE_DBSIZE_NOT_USED</code>
CPBaddr	Address of a <code>PXE_CPB_START</code> structure.
DBaddr	<code>PXE_DBADDR_NOT_USED</code>
StatCode	<code>PXE_STATCODE_INITIALIZE</code>
StatFlags	<code>PXE_STATFLAGS_INITIALIZE</code>
IFnum	A valid interface number from zero to <code>!PXE.IFcnt</code>
Control	Set as needed



```

// IN  UUINT64   UniqueId,
// IN  UUINT64   Virtual,
// OUT UUINT64   PhysicalPtr);
//
// UNDI will pass in a virtual address and a pointer to storage
// for a physical address.  The Virt2Phys() service converts
// the virtual address to a physical address and stores the
// resulting physical address in the supplied buffer.  If no
// conversion is needed, the virtual address must be copied
// into the supplied physical address buffer.
//

UUINT64   MemIo;
//
// Read/Write network device memory and/or I/O register space.
// This field cannot be set to zero.
//
// VOID
// MemIo(
// IN    UUINT64   UniqueId,
// IN    UUINT8    AccessType,
// IN    UUINT8    Length,
// IN    UUINT64   Port,
// IN OUT UUINT64   BufferPtr);
//
// UNDI uses the MemIo() service to access the network device
// memory and/or I/O registers.  The AccessType is one of the
// PXE_IO_xxx or PXE_MEM_xxx constants defined at the end of
// this section.  The Length is 1, 2, 4 or 8.  The Port number
// is relative to the base memory or I/O address space for this
// device. BufferPtr points to the data to be written to the
// Port or will contain the data that is read from the Port.
//

UUINT64   MapMem;
//
// Map virtual memory address for DMA.
// This field can be set to zero if there is no mapping
// service.
//
// VOID
// MapMem(
// IN  UUINT64   UniqueId,
// IN  UUINT64   Virtual,
// IN  UUINT32   Size,
// IN  UUINT32   Direction,
// OUT UUINT64   PhysicalPtr);
//
// When UNDI needs to perform a DMA transfer it will request a

```

```

// virtual-to-physical mapping using the MapMem() service. The
// Virtual parameter contains the virtual address to be mapped.
// The minimum Size of the virtual memory buffer to be mapped.
// Direction is one of the TO_DEVICE, FROM_DEVICE or
// TO_AND_FROM_DEVICE constants defined at the end of this
// section.PhysicalPtr contains the mapped physical address or
// a copy of the Virtual address if no mapping is required.
//
//
UINT64    UnMapMem;
//
// Un-map previously mapped virtual memory address.
// This field can be set to zero only if the MapMem() service
// is also set to zero.
//
// VOID
// UnMapMem(
//     IN  UINT64    UniqueId,
//     IN  UINT64    Virtual,
//     IN  UINT32    Size,
//     IN  UINT32    Direction,
//     IN  UINT64    PhysicalPtr);
//
// When UNDI is done with the mapped memory, it will use the
// UnMapMem() service to release the mapped memory.
//
//
UINT64    SyncMem;
//
// Synchronise mapped memory.
// This field can be set to zero only if the MapMem() service
// is also set to zero.
//
// VOID
// SyncMem(
//     IN  UINT64    UniqueId,
//     IN  UINT64    Virtual,
//     IN  UINT32    Size,
//     IN  UINT32    Direction,
//     IN  UINT64    PhysicalPtr);
//
// When the virtual and physical buffers need to be
// synchronized, UNDI will call the SyncMem() service.
//
//
UINT64    UniqueId;
//
// UNDI will pass this value to each of the callback services.
// A unique ID number should be generated for each instance of

```

```

    // the UNDI driver that will be using these callback services.
    //
} PXE_CPB_START_31;
#pragma pack()

```

For the 3.0 S/W UNDI Start command, the CPB structure shown below must be filled in and the CDB must be set to `sizeof(struct s_pxe_cpb_start_30)`.

```

#pragma pack(1)
typedef struct s_pxe_cpb_start_30 {
    UINT64    Delay;
    //
    // Address of the Delay() callback service.
    // This field cannot be set to zero.
    //
    // VOID
    // Delay(
    //   IN  UINT64    Microseconds);
    //
    // UNDI will never request a delay smaller than 10 microseconds
    // and will always request delays in increments of 10.
    // microseconds The Delay() callback routine must delay between
    // n and n + 10 microseconds before returning control to the
    // UNDI.
    //
    //
    UINT64    Block;
    //
    // Address of the Block() callback service.
    // This field cannot be set to zero.
    //
    // VOID
    // Block(
    //   IN  UINT32    Enable);
    //
    // UNDI may need to block multithreaded/multiprocessor access
    // to critical code sections when programming or accessing the
    // network device.  When UNDI needs a block, it will call the
    // Block()callback service with Enable set to a non-zero value.
    // When UNDI no longer needs the block, it will call Block()
    // with Enable set to zero.
    //
    //
    UINT64    Virt2Phys;
    //
    // Convert a virtual address to a physical address.
    // This field can be set to zero if virtual and physical

```

```

// addresses are identical.
//
// VOID
// Virt2Phys(
//   IN  UINT64   Virtual,
//   OUT UINT64   PhysicalPtr);
//
// UNDI will pass in a virtual address and a pointer to storage
// for a physical address.  The Virt2Phys() service converts
// the virtual address to a physical address and stores the
// resulting physical address in the supplied buffer.  If no
// conversion is needed, the virtual address must be copied
// into the supplied physical address buffer.
//

UINT64   MemIo;
//
// Read/Write network device memory and/or I/O register space.
// This field cannot be set to zero.
//
// VOID
// MemIo(
//   IN   UINT8   AccessType,
//   IN   UINT8   Length,
//   IN   UINT64  Port,
//   IN OUT UINT64  BufferPtr);
//
// UNDI uses the MemIo() service to access the network device
// memory and/or I/O registers.  The AccessType is one of the
// PXE_IO_XXX or PXE_MEM_XXX constants defined at the end of
// this section.  The Length is 1, 2, 4 or 8.  The Port number
// is relative to the base memory or I/O address space for this
// device. BufferPtr points to the data to be written to the
// Port or will contain the data that is read from the Port.
//
} PXE_CPB_START_30;
#pragma pack()

```

### E.4.3.3 Waiting for the Command to Execute

Monitor the upper two bits (14 & 15) in the **CDB.StatFlags** field. Until these bits change to report **PXE\_STATFLAGS\_COMMAND\_COMPLETE** or **PXE\_STATFLAGS\_COMMAND\_FAILED**, the command has not been executed by the UNDI.

StatFlags	Reason
COMMAND_COMPLETE	Command completed successfully. UNDI is now started.
COMMAND_FAILED	Command failed. StatCode field contains error code.
COMMAND_QUEUED	Command has been queued.
INITIALIZE	Command has been not executed or queued.

### E.4.3.4 Checking Command Execution Results

After command execution completes, either successfully or not, the **CDB.StatCode** field contains the result of the command execution.

StatCode	Reason
SUCCESS	Command completed successfully. UNDI is now started.
INVALID_CDB	One of the CDB fields was not set correctly.
BUSY	UNDI is already processing commands. Try again later.
QUEUE_FULL	Command queue is full. Try again later.
ALREADY_STARTED	The UNDI is already started.

## E.4.4 Stop

This command is used to change the UNDI operational state from started to stopped.

### E.4.4.1 Issuing the Command

To issue a Stop command, create a CDB and fill it in as shows in the table below:

CDB Field	How to initialize the CDB structure for a Stop command
OpCode	<code>PXE_OPCODE_STOP</code>
OpFlags	<code>PXE_OPFLAGS_NOT_USED</code>
CPBsize	<code>PXE_CPBSIZE_NOT_USED</code>
DBsize	<code>PXE_DBSIZE_NOT_USED</code>
CPBaddr	<code>PXE_CPBADDR_NOT_USED</code>
DBaddr	<code>PXE_DBADDR_NOT_USED</code>
StatCode	<code>PXE_STATCODE_INITIALIZE</code>
StatFlags	<code>PXE_STATFLAGS_INITIALIZE</code>
IFnum	A valid interface number from zero to <code>!PXE.IFcnt</code>
Control	Set as needed

### E.4.4.2 Waiting for the Command to Execute

Monitor the upper two bits (14 & 15) in the `CDB.StatFlags` field. Until these bits change to report `PXE_STATFLAGS_COMMAND_COMPLETE` or `PXE_STATFLAGS_COMMAND_FAILED`, the command has not been executed by the UNDI.

StatFlags	Reason
<code>COMMAND_COMPLETE</code>	Command completed successfully. UNDI is now stopped.
<code>COMMAND_FAILED</code>	Command failed. StatCode field contains error code.
<code>COMMAND_QUEUED</code>	Command has been queued.
<code>INITIALIZE</code>	Command has not been executed or queued.

### E.4.4.3 Checking Command Execution Results

After command execution completes, either successfully or not, the `CDB.StatCode` field contains the result of the command execution.

StatCode	Reason
<code>SUCCESS</code>	Command completed successfully. UNDI is now stopped.
<code>INVALID_CDB</code>	One of the CDB fields was not set correctly.
<code>BUSY</code>	UNDI is already processing commands. Try again later.
<code>QUEUE_FULL</code>	Command queue is full. Try again later.
<code>NOT_STARTED</code>	The UNDI is not started.
<code>NOT_SHUTDOWN</code>	The UNDI is initialized and must be shutdown before it can be stopped.



## E.4.5 Get Init Info

This command is used to retrieve initialization information that is needed by drivers and applications to initialize UNDI.

### E.4.5.1 Issuing the Command

To issue a Get Init Info command, create a CDB and fill it in as shows in the table below:

CDB Field	How to initialize the CDB structure for a Get Init Info command
OpCode	<code>PXE_OPCODE_GET_INIT_INFO</code>
OpFlags	<code>PXE_OPFLAGS_NOT_USED</code>
CPBsize	<code>PXE_CPBSIZE_NOT_USED</code>
DBsize	<code>sizeof(PXE_DB_INIT_INFO)</code>
CPBaddr	<code>PXE_CPBADDR_NOT_USED</code>
DBaddr	Address of a <code>PXE_DB_INIT_INFO</code> structure.
StatCode	<code>PXE_STATCODE_INITIALIZE</code>
StatFlags	<code>PXE_STATFLAGS_INITIALIZE</code>
IFnum	A valid interface number from zero to <code>!PXE.IFcnt</code> .
Control	Set as needed.

### E.4.5.2 Waiting for the Command to Execute

Monitor the upper two bits (14 & 15) in the `CDB.StatFlags` field. Until these bits change to report `PXE_STATFLAGS_COMMAND_COMPLETE` or `PXE_STATFLAGS_COMMAND_FAILED`, the command has not been executed by the UNDI.

StatFlags	Reason
<code>COMMAND_COMPLETE</code>	Command completed successfully. DB can be used.
<code>COMMAND_FAILED</code>	Command failed. StatCode field contains error code.
<code>COMMAND_QUEUED</code>	Command has been queued.
<code>INITIALIZE</code>	Command has been not executed or queued.

### E.4.5.3 Checking Command Execution Results

After command execution completes, either successfully or not, the `CDB.StatCode` field contains the result of the command execution.

StatCode	Reason
<code>SUCCESS</code>	Command completed successfully. DB can be used.
<code>INVALID_CDB</code>	One of the CDB fields was not set correctly.
<code>BUSY</code>	UNDI is already processing commands. Try again later.
<code>QUEUE_FULL</code>	Command queue is full. Try again later.
<code>NOT_STARTED</code>	The UNDI is not started.

#### E.4.5.4 StatFlags

To determine if cable detection is supported by this UNDI/NIC, use these macros with the value returned in the CDB.StatFlags field:

```
PXE_STATFLAGS_CABLE_DETECT_MASK
PXE_STATFLAGS_CABLE_DETECT_NOT_SUPPORTED
PXE_STATFLAGS_CABLE_DETECT_SUPPORTED
```

#### E.4.5.5 DB

```
#pragma pack(1)
typedef struct s_pxe_db_get_init_info {

    // Minimum length of locked memory buffer that must be given to
    // the Initialize command. Giving UNDI more memory will
    // generally give better performance.

    // If MemoryRequired is zero, the UNDI does not need and will
    // not use system memory to receive and transmit packets.

    PXE_UINT32    MemoryRequired;

    // Maximum frame data length for Tx/Rx excluding the media
    // header.
    //
    PXE_UINT32    FrameDataLen;

    // Supported link speeds are in units of mega bits. Common
    // ethernet values are 10, 100 and 1000. Unused LinkSpeeds[]
    // entries are zero filled.

    PXE_UINT32    LinkSpeeds[4];

    // Number of nonvolatile storage items.

    PXE_UINT32    NvCount;

    // Width of nonvolatile storage item in bytes. 0, 1, 2 or 4

    PXE_UINT16    NvWidth;

    // Media header length. This is the typical media header
    // length for this UNDI. This information is needed when
    // allocating receive and transmit buffers.

    PXE_UINT16    MediaHeaderLen;

    // Number of bytes in the NIC hardware (MAC) address.
```

```

PXE_UINT16      HWaddrLen;

// Maximum number of multicast MAC addresses in the multicast
// MAC address filter list.

PXE_UINT16      MCastFilterCnt;

// Default number and size of transmit and receive buffers that
// will be allocated by the UNDI.  If MemoryRequired is
// nonzero, this allocation will come out of the memory buffer
// given to the Initialize command.  If MemoryRequired is zero,
// this allocation will come out of memory on the NIC.

PXE_UINT16      TxBufCnt;
PXE_UINT16      TxBufSize;
PXE_UINT16      RxBufCnt;
PXE_UINT16      RxBufSize;

// Hardware interface types defined in the Assigned Numbers RFC
// and used in DHCP and ARP packets.
// See the PXE_IFTYPE typedef and PXE_IFTYPE_xxx macros.

PXE_UINT8       IFtype;

// Supported duplex options.  This can be one or a combination
// of more than one constants defined as PXE_DUPLEX_XXXXX
// below.  This value indicates the ability of UNDI to
// change/control the duplex modes of the NIC.

PXE_UINT8       SupportedDuplexModes;

// Supported loopback options.  This field can be one or a
// combination of more than one constants defined as
// PXE_LOOPBACK_XXXXX #defines below.  This value indicates
// the ability of UNDI to change/control the loopback modes
// of the NIC

PXE_UINT8       SupportedLoopBackModes;
} PXE_DB_GET_INIT_INFO;
#pragma pack()

#define PXE_MAX_TXRX_UNIT_ETHER          1500
#define PXE_HWADDR_LEN_ETHER            0x0006

#define PXE_DUPLEX_DEFAULT                0
#define PXE_DUPLEX_ENABLE_FULL_SUPPORTED  1
#define PXE_DUPLEX_FORCE_FULL_SUPPORTED   2

#define PXE_LOOPBACK_INTERNAL_SUPPORTED   1
#define PXE_LOOPBACK_EXTERNAL_SUPPORTED   2

```

## E.4.6 Get Config Info

This command is used to retrieve configuration information about the NIC being controlled by the UNDI.

### E.4.6.1 Issuing the Command

To issue a Get Config Info command, create a CDB and fill it in as shown in the table below:

CDB Field	How to initialize the CDB structure for a Get Config Info command
OpCode	<code>PXE_OPCODE_GET_CONFIG_INFO</code>
OpFlags	<code>PXE_OPFLAGS_NOT_USED</code>
CPBsize	<code>PXE_CPBSIZE_NOT_USED</code>
DBsize	<code>sizeof(PXE_DB_CONFIG_INFO)</code>
CPBaddr	<code>PXE_CPBADDR_NOT_USED</code>
DBaddr	Address of a <code>PXE_DB_CONFIG_INFO</code> structure
StatCode	<code>PXE_STATCODE_INITIALIZE</code>
StatFlags	<code>PXE_STATFLAGS_INITIALIZE</code>
IFnum	A valid interface number from zero to <code>!PXE.IFcnt</code>
Control	Set as needed

### E.4.6.2 Waiting for the Command to Execute

Monitor the upper two bits (14 & 15) in the `CDB.StatFlags` field. Until these bits change to report `PXE_STATFLAGS_COMMAND_COMPLETE` or `PXE_STATFLAGS_COMMAND_FAILED`, the command has not been executed by the UNDI.

StatFlags	Reason
<code>COMMAND_COMPLETE</code>	Command completed successfully. DB has been written.
<code>COMMAND_FAILED</code>	Command failed. StatCode field contains error code.
<code>COMMAND_QUEUED</code>	Command has been queued.
<code>INITIALIZE</code>	Command has been not executed or queued.

### E.4.6.3 Checking Command Execution Results

After command execution completes, either successfully or not, the `CDB.StatCode` field contains the result of the command execution.

StatCode	Reason
SUCCESS	Command completed successfully. DB has been written.
INVALID_CDB	One of the CDB fields was not set correctly.
BUSY	UNDI is already processing commands. Try again later.
QUEUE_FULL	Command queue is full. Try again later.
NOT_STARTED	The UNDI is not started.

### E.4.6.4 DB

```
#pragma pack(1)
typedef struct s_pxe_pci_config_info {

    // This is the flag field for the PXE_DB_GET_CONFIG_INFO union.
    // For PCI bus devices, this field is set to PXE_BUSTYPE_PCI.

    PXE_UINT32    BusType;

    // This identifies the PCI network device that this UNDI
    // interface is bound to.

    PXE_UINT16    Bus;
    PXE_UINT8     Device;
    PXE_UINT8     Function;

    // This is a copy of the PCI configuration space for this
    // network device.

    union {
        PXE_UINT8    Byte[256];
        PXE_UINT16   Word[128];
        PXE_UINT32   Dword[64];
    } Config;
} PXE_PCI_CONFIG_INFO;
#pragma pack()
#pragma pack(1)
typedef struct s_pxe_pcc_config_info {
```

```

// This is the flag field for the PXE_DB_GET_CONFIG_INFO union.
// For PCC bus devices, this field is set to PXE_BUSTYPE_PCC.

PXE_UINT32    BusType;

// This identifies the PCC network device that this UNDI
// interface is bound to.

PXE_UINT16    Bus;
PXE_UINT8     Device;
PXE_UINT8     Function;

// This is a copy of the PCC configuration space for this
// network device.

union {
    PXE_UINT8      Byte[256];
    PXE_UINT16     Word[128];
    PXE_UINT32     Dword[64];
} Config;
} PXE_PCC_CONFIG_INFO;
#pragma pack()

#pragma pack(1)
typedef union u_pxe_db_get_config_info {
    PXE_PCI_CONFIG_INFO    pci;
    PXE_PCC_CONFIG_INFO    pcc;
} PXE_DB_GET_CONFIG_INFO;
#pragma pack()

```

## E.4.7 Initialize

This command resets the network adapter and initializes UNDI using the parameters supplied in the CPB. The Initialize command must be issued before the network adapter can be setup to transmit and receive packets. This command will not enable the receive unit or external interrupts.

Once the memory requirements of the UNDI are obtained by using the Get Init Info command, a block of kernel (nonswappable) memory may need to be allocated by the protocol driver. The address of this kernel memory must be passed to UNDI using the Initialize command CPB. This memory is used for transmit and receive buffers and internal processing.

Initializing the network device will take up to four seconds for most network devices and in some extreme cases (usually poor cables) up to twenty seconds. Control will not be returned to the caller and the **COMMAND\_COMPLETE** status flag will not be set until the NIC is ready to transmit.

### E.4.7.1 Issuing the Command

To issue an Initialize command, create a CDB and fill it in as shows in the table below:

CDB Field	How to initialize the CDB structure for an Initialize command
OpCode	<b>PXE_OPCODE_INITIALIZE</b>
OpFlags	Set as needed.
CPBsize	<b>sizeof(PXE_CPB_INITIALIZE)</b>
DBsize	<b>sizeof(PXE_DB_INITIALIZE)</b>
CPBaddr	Address of a <b>PXE_CPB_INITIALIZE</b> structure.
Dbaddr	Address of a <b>PXE_DB_INITIALIZE</b> structure.
StatCode	<b>PXE_STATCODE_INITIALIZE</b>
StatFlags	<b>PXE_STATFLAGS_INITIALIZE</b>
lfnm	A valid interface number from zero to <b>!PXE.IFcnt</b> .
Control	Set as needed.

### E.4.7.2 OpFlags

Cable detection can be enabled or disabled by setting one of the following OpFlags:

**PXE\_OPFLAGS\_INITIALIZE\_CABLE\_DETECT**

**PXE\_OPFLAGS\_INITIALIZE\_DO\_NOT\_DETECT\_CABLE**

### E.4.7.3 Preparing the CPB

If the **MemoryRequired** field returned in the **PXE\_DB\_GET\_INIT\_INFO** structure is zero, the Initialize command does not need to be given a memory buffer or even a CPB structure. If the **MemoryRequired** field is nonzero, the Initialize command does need a memory buffer.

```
#pragma pack(1)
typedef struct s_pxe_cpb_initialize {

    // Address of first (lowest) byte of the memory buffer.
    // This buffer must be in contiguous physical memory and cannot
    // be swapped out. The UNDI will be using this for transmit
    // and receive buffering. This address must be a processor-
    // based address for S/W UNDI and a device-based address for
    // H/W UNDI.

    PXE_UINT64    MemoryAddr;

    // MemoryLength must be greater than or equal to MemoryRequired
    // returned by the Get Init Info command.

    PXE_UINT32    MemoryLength;

    // Desired link speed in Mbit/sec. Common ethernet values are
    // 10, 100 and 1000. Setting a value of zero will auto-detect
    // and/or use the default link speed (operation depends on
    // UNDI/NIC functionality).

    PXE_UINT32    LinkSpeed;

    // Suggested number and size of receive and transmit buffers to
    // allocate. If MemoryAddr and MemoryLength are nonzero, this
    // allocation comes out of the supplied memory buffer. If
    // MemoryAddr and MemoryLength are zero, this allocation comes
    // out of memory on the NIC.

    // If these fields are set to zero, the UNDI will allocate
    // buffer counts and sizes as it sees fit.

    PXE_UINT16    TxBufCnt;
    PXE_UINT16    TxBufSize;
    PXE_UINT16    RxBufCnt;
    PXE_UINT16    RxBufSize;
}
```



```

// The following configuration parameters are optional and must
// be zero to use the default values.
// The possible values for these parameters are defined below.

PXE_UINT8      DuplexMode;

PXE_UINT8      LoopBackMode;
} PXE_CPB_INITIALIZE;
#pragma pack()

#define PXE_DUPLEX_AUTO_DETECT      0x00
#define PXE_FORCE_FULL_DUPLEX      0x01

#define PXE_FORCE_HALF_DUPLEX      0x02

#define PXE_LOOPBACK_NORMAL      0
#define PXE_LOOPBACK_INTERNAL      1
#define PXE_LOOPBACK_EXTERNAL      2

```

#### E.4.7.4 Waiting for the Command to Execute

Monitor the upper two bits (14 & 15) in the **CDB.StatFlags** field. Until these bits change to report **PXE\_STATFLAGS\_COMMAND\_COMPLETE** or **PXE\_STATFLAGS\_COMMAND\_FAILED**, the command has not been executed by the UNDI.

StatFlags	Reason
COMMAND_COMPLETE	Command completed successfully. UNDI and network device is now initialized. DB has been written.
COMMAND_FAILED	Command failed. StatCode field contains error code.
COMMAND_QUEUED	Command has been queued.
INITIALIZE	Command has been not executed or queued.

### E.4.7.5 Checking Command Execution Results

After command execution completes, either successfully or not, the **CDB.StatCode** field contains the result of the command execution.

StatCode	Reason
SUCCESS	Command completed successfully. UNDI and network device is now initialized. DB has been written. Check StatFlags.
INVALID_CDB	One of the CDB fields was not set correctly.
INVALID_CPB	One of the CPB fields was not set correctly.
BUSY	UNDI is already processing commands. Try again later.
QUEUE_FULL	Command queue is full. Try again later.
NOT_STARTED	The UNDI is not started.
ALREADY_INITIALIZED	The UNDI is already initialized.
DEVICE_FAILURE	The network device could not be initialized.
NVDATA_FAILURE	The nonvolatile storage could not be read.

### E.4.7.6 StatFlags

Check the StatFlags to see if there is an active connection to this network device. If the no media StatFlag is set, the UNDI and network device are still initialized.

**PXE\_STATFLAGS\_INITIALIZED\_NO\_MEDIA**

### E.4.7.7 Before Using the DB

```
#pragma pack(1)
typedef struct s_pxe_db_initialize {

    // Actual amount of memory used from the supplied memory
    // buffer. This may be less than the amount of memory
    // supplied and may be zero if the UNDI and network device
    // do not use external memory buffers. Memory used by the
    // UNDI and network device is allocated from the lowest
    // memory buffer address.

    PXE_UINT32    MemoryUsed;

    // Actual number and size of receive and transmit buffers that
    // were allocated.

    PXE_UINT16    TxBufCnt;
    PXE_UINT16    TxBufSize;
    PXE_UINT16    RxBufCnt;
    PXE_UINT16    RxBufSize
} PXE_DB_INITIALIZE;
#pragma pack()
```

## E.4.8 Reset

This command resets the network adapter and reinitializes the UNDI with the same parameters provided in the Initialize command. The transmit and receive queues are emptied and any pending interrupts are cleared. Depending on the state of the OpFlags, the receive filters and external interrupt enables may also be reset.

Resetting the network device may take up to four seconds and in some extreme cases (usually poor cables) up to twenty seconds. Control will not be returned to the caller and the **COMMAND\_COMPLETE** status flag will not be set until the NIC is ready to transmit.

### E.4.8.1 Issuing the Command

To issue a Reset command, create a CDB and fill it in as shows in the table below:

CDB Field	How to initialize the CDB structure for a Reset command
OpCode	<b>PXE_OPCODE_RESET</b>
OpFlags	Set as needed.
CPBsize	<b>PXE_CPBSIZE_NOT_USED</b>
DBsize	<b>PXE_DBSIZE_NOT_USED</b>
CPBaddr	<b>PXE_CPBSIZE_NOT_USED</b>
DBaddr	<b>PXE_DBSIZE_NOT_USED</b>
StatCode	<b>PXE_STATCODE_INITIALIZE</b>
StatFlags	<b>PXE_STATFLAGS_INITIALIZE</b>
IFnum	A valid interface number from zero to <b>!PXE.IFcnt</b> .
Control	Set as needed.

### E.4.8.2 OpFlags

Normally the settings of the receive filters and external interrupt enables are unchanged by the Reset command. These two OpFlags will alter the operation of the Reset command.

**PXE\_OPFLAGS\_RESET\_DISABLE\_INTERRUPTS**  
**PXE\_OPFLAGS\_RESET\_DISABLE\_FILTERS**

### E.4.8.3 Waiting for the Command to Execute

Monitor the upper two bits (14 & 15) in the **CDB.StatFlags** field. Until these bits change to report **PXE\_STATFLAGS\_COMMAND\_COMPLETE** or **PXE\_STATFLAGS\_COMMAND\_FAILED**, the command has not been executed by the UNDI.

StatFlags	Reason
COMMAND_COMPLETE	Command completed successfully. UNDI and network device have been reset. Check StatFlags.
COMMAND_FAILED	Command failed. StatCode field contains error code.
COMMAND_QUEUED	Command has been queued.
INITIALIZE	Command has been not executed or queued.

### E.4.8.4 Checking Command Execution Results

After command execution completes, either successfully or not, the **CDB.StatCode** field contains the result of the command execution.

StatCode	Reason
SUCCESS	Command completed successfully. UNDI and network device have been reset. Check StatFlags.
INVALID_CDB	One of the CDB fields was not set correctly.
BUSY	UNDI is already processing commands. Try again later.
QUEUE_FULL	Command queue is full. Try again later.
NOT_STARTED	The UNDI is not started.
NOT_INITIALIZED	The UNDI is not initialized.
DEVICE_FAILURE	The network device could not be initialized.
NVDATA_FAILURE	The nonvolatile storage is not valid.

### E.4.8.5 StatFlags

Check the StatFlags to see if there is an active connection to this network device. If the no media StatFlag is set, the UNDI and network device are still reset.

**PXE\_STATFLAGS\_RESET\_NO\_MEDIA**

## E.4.9 Shutdown

The Shutdown command resets the network adapter and leaves it in a safe state for another driver to initialize. Any pending transmits or receives are lost. Receive filters and external interrupt enables are reset (disabled). The memory buffer assigned in the Initialize command can be released or reassigned.

Once UNDI has been shutdown, it can then be stopped or initialized again. The Shutdown command changes the UNDI operational state from initialized to started.

### E.4.9.1 Issuing the Command

To issue a Shutdown command, create a CDB and fill it in as shown in the table below:

CDB Field	How to initialize the CDB structure for a Shutdown command
OpCode	<b>PXE_OPCODE_SHUTDOWN</b>
OpFlags	<b>PXE_OPFLAGS_NOT_USED</b>
CPBsize	<b>PXE_CPBSIZE_NOT_USED</b>
DBsize	<b>PXE_DBSIZE_NOT_USED</b>
CPBaddr	<b>PXE_CPBSIZE_NOT_USED</b>
DBaddr	<b>PXE_DBSIZE_NOT_USED</b>
StatCode	<b>PXE_STATCODE_INITIALIZE</b>
StatFlags	<b>PXE_STATFLAGS_INITIALIZE</b>
IFnum	A valid interface number from zero to <b>!PXE.IFcnt</b> .
Control	Set as needed.

### E.4.9.2 Waiting for the Command to Execute

Monitor the upper two bits (14 & 15) in the **CDB.StatFlags** field. Until these bits change to report **PXE\_STATFLAGS\_COMMAND\_COMPLETE** or **PXE\_STATFLAGS\_COMMAND\_FAILED**, the command has not been executed by the UNDI.

StatFlags	Reason
COMMAND_COMPLETE	Command completed successfully. UNDI and network device are shutdown.
COMMAND_FAILED	Command failed. StatCode field contains error code.
COMMAND_QUEUED	Command has been queued.
INITIALIZE	Command has been not executed or queued.

### E.4.9.3 Checking Command Execution Results

After command execution completes, either successfully or not, the **CDB.StatCode** field contains the result of the command execution.

StatCode	Reason
SUCCESS	Command completed successfully. UNDI and network device are shutdown.
INVALID_CDB	One of the CDB fields was not set correctly.
BUSY	UNDI is already processing commands. Try again later.
QUEUE_FULL	Command queue is full. Try again later.
NOT_STARTED	The UNDI is not started.
NOT_INITIALIZED	The UNDI is not initialized.

## E.4.10 Interrupt Enables

The Interrupt Enables command can be used to read and/or change the current external interrupt enable settings. Disabling an external interrupt enable prevents an external (hardware) interrupt from being signaled by the network device, internally the interrupt events can still be polled by using the [Get Status](#) command.

### E.4.10.1 Issuing the Command

To issue an Interrupt Enables command, create a CDB and fill it in as shows in the table below:

CDB Field	How to initialize the CDB structure for an Interrupt Enables command
OpCode	<code>PXE_OPCODE_INTERRUPT_ENABLES</code>
OpFlags	Set as needed.
CPBsize	<code>PXE_CPBSIZE_NOT_USED</code>
DBsize	<code>PXE_DBSIZE_NOT_USED</code>
CPBaddr	<code>PXE_CPBADDR_NOT_USED</code>
DBaddr	<code>PXE_DBADDR_NOT_USED</code>
StatCode	<code>PXE_STATCODE_INITIALIZE</code>
StatFlags	<code>PXE_STATFLAGS_INITIALIZE</code>
IFnum	A valid interface number from zero to <code>!PXE.IFcnt</code> .
Control	Set as needed.

### E.4.10.2 OpFlags

To read the current external interrupt enables settings set `CDB.OpFlags` to:

- `PXE_OPFLAGS_INTERRUPT_READ`

To enable or disable external interrupts set one of these OpFlags:

- `PXE_OPFLAGS_INTERRUPT_DISABLE`
- `PXE_OPFLAGS_INTERRUPT_ENABLE`

When enabling or disabling interrupt settings, the following additional OpFlag bits are used to specify which types of external interrupts are to be enabled or disabled:

- `PXE_OPFLAGS_INTERRUPT_RECEIVE`
- `PXE_OPFLAGS_INTERRUPT_TRANSMIT`
- `PXE_OPFLAGS_INTERRUPT_COMMAND`
- `PXE_OPFLAGS_INTERRUPT_SOFTWARE`

Setting `PXE_OPFLAGS_INTERRUPT_SOFTWARE` does not enable an external interrupt type, it generates an external interrupt.

### E.4.10.3 Waiting for the Command to Execute

Monitor the upper two bits (14 & 15) in the **CDB.StatFlags** field. Until these bits change to report **PXE\_STATFLAGS\_COMMAND\_COMPLETE** or **PXE\_STATFLAGS\_COMMAND\_FAILED**, the command has not been executed by the UNDI.

StatFlags	Reason
COMMAND_COMPLETE	Command completed successfully. Check StatFlags.
COMMAND_FAILED	Command failed. StatCode field contains error code.
COMMAND_QUEUED	Command has been queued.
INITIALIZE	Command has been not executed or queued.

### E.4.10.4 Checking Command Execution Results

After command execution completes, either successfully or not, the **CDB.StatCode** field contains the result of the command execution.

StatCode	Reason
SUCCESS	Command completed successfully. Check StatFlags.
INVALID_CDB	One of the CDB fields was not set correctly.
BUSY	UNDI is already processing commands. Try again later.
QUEUE_FULL	Command queue is full. Try again later.
NOT_STARTED	The UNDI is not started.
NOT_INITIALIZED	The UNDI is not initialized.

### E.4.10.5 StatFlags

If the command was successful, the **CDB.StatFlags** field reports which external interrupt enable types are currently set. Possible **CDB.StatFlags** bit settings are:

- **PXE\_STATFLAGS\_INTERRUPT\_RECEIVE**
- **PXE\_STATFLAGS\_INTERRUPT\_TRANSMIT**
- **PXE\_STATFLAGS\_INTERRUPT\_COMMAND**

The bits set in **CDB.StatFlags** may be different than those that were requested in **CDB.OpFlags**. For example: If transmit and receive share an external interrupt line, setting either the transmit or receive interrupt will always enable both transmit and receive interrupts. In this case both transmit and receive interrupts will be reported in **CDB.StatFlags**. Always expect to get more than you ask for!



## E.4.11 Receive Filters

This command is used to read and change receive filters and, if supported, read and change the multicast MAC address filter list. Control will not be returned to the caller and the **COMMAND\_COMPLETE** status flag will not be set until the NIC is ready to receive.

### E.4.11.1 Issuing the Command

To issue a Receive Filters command, create a CDB and fill it in as shows in the table below:

CDB Field	How to initialize the CDB structure for a Receive Filters command
OpCode	<b>PXE_OPCODE_RECEIVE_FILTERS</b>
OpFlags	Set as needed.
CPBsize	<b>sizeof(PXE_CPB_RECEIVE_FILTERS)</b>
DBsize	<b>sizeof(PXE_DB_RECEIVE_FILTERS)</b>
CPBaddr	Address of <b>PXE_CPB_RECEIVE_FILTERS</b> structure.
DBaddr	Address of <b>PXE_DB_RECEIVE_FILTERS</b> structure.
StatCode	<b>PXE_STATCODE_INITIALIZE</b>
StatFlags	<b>PXE_STATFLAGS_INITIALIZE</b>
IFnum	A valid interface number from zero to <b>!PXE.IFcnt</b> .
Control	Set as needed.

### E.4.11.2 OpFlags

To read the current receive filter settings set the **CDB.OpFlags** field to:

**PXE\_OPFLAGS\_RECEIVE\_FILTER\_READ**

To change the current receive filter settings set one of these OpFlag bits:

**PXE\_OPFLAGS\_RECEIVE\_FILTER\_ENABLE**

**PXE\_OPFLAGS\_RECEIVE\_FILTER\_DISABLE**

When changing the receive filter settings, at least one of the OpFlag bits in this list must be selected:

**PXE\_OPFLAGS\_RECEIVE\_FILTER\_UNICAST**

**PXE\_OPFLAGS\_RECEIVE\_FILTER\_BROADCAST**

**PXE\_OPFLAGS\_RECEIVE\_FILTER\_FILTERED\_MULTICAST**

**PXE\_OPFLAGS\_RECEIVE\_FILTER\_PROMISCUOUS**

**PXE\_OPFLAGS\_RECEIVE\_FILTER\_ALL\_MULTICAST**

To clear the contents of the multicast MAC address filter list, set this OpFlag:

**PXE\_OPFLAGS\_RECEIVE\_FILTER\_RESET\_MCAST\_LIST**

### E.4.11.3 Preparing the CPB

The receive filter CPB is used to change the contents multicast MAC address filter list. To leave the multicast MAC address filter list unchanged, set the **CDB.CPBsize** field to **PXE\_CPBSIZE\_NOT\_USED** and **CDB.CPBaddr** to **PXE\_CPBADDR\_NOT\_USED**.

To change the multicast MAC address filter list, set **CDB.CPBsize** to the size, in bytes, of the multicast MAC address filter list and set **CDB.CPBaddr** to the address of the first entry in the multicast MAC address filter list.

```
typedef struct s_pxe_cpb_receive_filters {  
  
    // List of multicast MAC addresses. This list, if present,  
    // will replace the existing multicast MAC address filter list.  
  
    PXE_MAC_ADDR MCastList[n];  
} PXE_CPB_RECEIVE_FILTERS;
```

### E.4.11.4 Waiting for the Command to Execute

Monitor the upper two bits (14 & 15) in the **CDB.StatFlags** field. Until these bits change to report **PXE\_STATFLAGS\_COMMAND\_COMPLETE** or **PXE\_STATFLAGS\_COMMAND\_FAILED**, the command has not been executed by the UNDI.

StatFlags	Reason
COMMAND_COMPLETE	Command completed successfully. Check StatFlags. DB is written.
COMMAND_FAILED	Command failed. StatCode field contains error code.
COMMAND_QUEUED	Command has been queued.
INITIALIZE	Command has been not executed or queued.

### E.4.11.5 Checking Command Execution Results

After command execution completes, either successfully or not, the **CDB.StatCode** field contains the result of the command execution.

StatCode	Reason
SUCCESS	Command completed successfully. Check StatFlags. DB is written.
INVALID_CDB	One of the CDB fields was not set correctly.
INVALID_CPB	One of the CPB fields was not set correctly.
BUSY	UNDI is already processing commands. Try again later.
QUEUE_FULL	Command queue is full. Try again later.
NOT_STARTED	The UNDI is not started.
NOT_INITIALIZED	The UNDI is not initialized.

### E.4.11.6 StatFlags

The receive filter settings in CDB.StatFlags are:

- `PXE_STATFLAGS_RECEIVE_FILTER_UNICAST`
- `PXE_STATFLAGS_RECEIVE_FILTER_BROADCAST`
- `PXE_STATFLAGS_RECEIVE_FILTER_FILTERED_MULTICAST`
- `PXE_STATFLAGS_RECEIVE_FILTER_PROMISCUOUS`
- `PXE_STATFLAGS_RECEIVE_FILTER_ALL_MULTICAST`

Unsupported receive filter settings in OpFlags are promoted to the next more liberal receive filter setting. For example: If broadcast or filtered multicast are requested and are not supported by the network device, but promiscuous is; the promiscuous status flag will be set.

### E.4.11.7 DB

The DB is used to read the current multicast MAC address filter list. The CDB.DBsize and CDB.DBaddr fields can be set to `PXE_DBSIZE_NOT_USED` and `PXE_DBADDR_NOT_USED` if the multicast MAC address filter list does not need to be read. When reading the multicast MAC address filter list extra entries in the DB will be filled with zero.

```
typedef struct s_pxe_db_receive_filters {  
  
    // Filtered multicast MAC address list.  
  
    PXE_MAC_ADDR  MCastList[n];  
} PXE_DB_RECEIVE_FILTERS;
```

## E.4.12 Station Address

This command is used to get current station and broadcast MAC addresses and, if supported, to change the current station MAC address.

### E.4.12.1 Issuing the Command

To issue a Station Address command, create a CDB and fill it in as shows in the table below:

CDB Field	How to initialize the CDB structure for a Station Address command
OpCode	<code>PXE_OPCODE_STATION_ADDRESS</code>
OpFlags	Set as needed.
CPBsize	<code>sizeof(PXE_CPB_STATION_ADDRESS)</code>
DBsize	<code>sizeof(PXE_DB_STATION_ADDRESS)</code>
CPBaddr	Address of <code>PXE_CPB_STATION_ADDRESS</code> structure.
DBaddr	Address of <code>PXE_DB_STATION_ADDRESS</code> structure.
StatCode	<code>PXE_STATCODE_INITIALIZE</code>
StatFlags	<code>PXE_STATFLAGS_INITIALIZE</code>
IFnum	A valid interface number from zero to <code>!PXE.IFcnt</code> .
Control	Set as needed.

### E.4.12.2 OpFlags

To read current station and broadcast MAC addresses set the OpFlags field to:

- `PXE_OPFLAGS_STATION_ADDRESS_READ`

To change the current station to the address given in the CPB set the OpFlags field to:

- `PXE_OPFLAGS_STATION_ADDRESS_WRITE`

To reset the current station address back to the power on default, set the OpFlags field to:

- `PXE_OPFLAGS_STATION_ADDRESS_RESET`

### E.4.12.3 Preparing the CPB

To change the current station MAC address the `CDB.CPBsize` and `CDB.CPBaddr` fields must be set.

```
typedef struct s_pxe_cpb_station_address {  
  
    // If supplied and supported, the current station MAC address  
    // will be changed.  
  
    PXE_MAC_ADDR  StationAddr;  
} PXE_CPB_STATION_ADDRESS;
```

#### E.4.12.4 Waiting for the Command to Execute

Monitor the upper two bits (14 & 15) in the **CDB.StatFlags** field. Until these bits change to report **PXE\_STATFLAGS\_COMMAND\_COMPLETE** or **PXE\_STATFLAGS\_COMMAND\_FAILED**, the command has not been executed by the UNDI.

StatFlags	Reason
COMMAND_COMPLETE	Command completed successfully. DB is written.
COMMAND_FAILED	Command failed. StatCode field contains error code.
COMMAND_QUEUED	Command has been queued.
INITIALIZE	Command has been not executed or queued.

#### E.4.12.5 Checking Command Execution Results

After command execution completes, either successfully or not, the **CDB.StatCode** field contains the result of the command execution.

StatCode	Reason
SUCCESS	Command completed successfully.
INVALID_CDB	One of the CDB fields was not set correctly.
INVALID_CPB	One of the CPB fields was not set correctly.
BUSY	UNDI is already processing commands. Try again later.
QUEUE_FULL	Command queue is full. Try again later.
NOT_STARTED	The UNDI is not started.
NOT_INITIALIZED	The UNDI is not initialized.
UNSUPPORTED	The requested operation is not supported.

#### E.4.12.6 Before Using the DB

The DB is used to read the current station, broadcast and permanent station MAC addresses. The **CDB.DBsize** and **CDB.DBaddr** fields can be set to **PXE\_DBSIZE\_NOT\_USED** and **PXE\_DBADDR\_NOT\_USED** if these addresses do not need to be read.

```
typedef struct s_pxe_db_station_address {  
  
    // Current station MAC address.  
    PXE_MAC_ADDR  StationAddr;  
  
    // Station broadcast MAC address.  
    PXE_MAC_ADDR  BroadcastAddr;  
  
    // Permanent station MAC address.  
    PXE_MAC_ADDR  PermanentAddr;  
} PXE_DB_STATION_ADDRESS;
```

## E.4.13 Statistics

This command is used to read and clear the NIC traffic statistics. Before using this command check to see if statistics is supported in the **!PXE.Implementation** flags.

### E.4.13.1 Issuing the Command

To issue a Statistics command, create a CDB and fill it in as shown in the table below:

CDB Field	How to initialize the CDB structure for a Statistics command
OpCode	<b>PXE_OPCODE_STATISTICS</b>
OpFlags	Set as needed.
CPBsize	<b>PXE_CPBSIZE_NOT_USED</b>
DBsize	<b>sizeof(PXE_DB_STATISTICS)</b>
CPBaddr	<b>PXE_CPBADDR_NOT_USED</b>
DBaddr	Address of <b>PXE_DB_STATISTICS</b> structure.
StatCode	<b>PXE_STATCODE_INITIALIZE</b>
StatFlags	<b>PXE_STATFLAGS_INITIALIZE</b>
IFnum	A valid interface number from zero to <b>!PXE.IFcnt</b> .
Control	Set as needed.

### E.4.13.2 OpFlags

To read the current statistics counters set the OpFlags field to:

**PXE\_OPFLAGS\_STATISTICS\_READ**

To reset the current statistics counters set the OpFlags field to:

**PXE\_OPFLAGS\_STATISTICS\_RESET**

### E.4.13.3 Waiting for the Command to Execute

Monitor the upper two bits (14 & 15) in the **CDB.StatFlags** field. Until these bits change to report **PXE\_STATFLAGS\_COMMAND\_COMPLETE** or **PXE\_STATFLAGS\_COMMAND\_FAILED**, the command has not been executed by the UNDI.

StatFlags	Reason
COMMAND_COMPLETE	Command completed successfully. DB is written.
COMMAND_FAILED	Command failed. StatCode field contains error code.
COMMAND_QUEUED	Command has been queued.
INITIALIZE	Command has been not executed or queued.

### E.4.13.4 Checking Command Execution Results

After command execution completes, either successfully or not, the **CDB.StatCode** field contains the result of the command execution.

StatCode	Reason
SUCCESS	Command completed successfully. DB is written.
INVALID_CDB	One of the CDB fields was not set correctly.
BUSY	UNDI is already processing commands. Try again later.
QUEUE_FULL	Command queue is full. Try again later.
NOT_STARTED	The UNDI is not started.
NOT_INITIALIZED	The UNDI is not initialized.
UNSUPPORTED	This command is not supported.

### E.4.13.5 DB

Unsupported statistics counters will be zero filled by UNDI.

```
typedef struct s_pxe_db_statistics {

    // Bit field identifying what statistic data is collected by
    // the UNDI/NIC.
    // If bit 0x00 is set, Data[0x00] is collected.
    // If bit 0x01 is set, Data[0x01] is collected.
    // If bit 0x20 is set, Data[0x20] is collected.
    // If bit 0x21 is set, Data[0x21] is collected.
    // Etc.
    PXE_UINT64    Supported;

    // Statistic data.

    PXE_UINT64    Data[64];
} PXE_DB_STATISTICS;

// Total number of frames received. Includes frames with errors
// and dropped frames.
#define PXE_STATISTICS_RX_TOTAL_FRAMES    0x00

// Number of valid frames received and copied into receive
// buffers.
#define PXE_STATISTICS_RX_GOOD_FRAMES    0x01

// Number of frames below the minimum length for the media.
// This would be <64 for ethernet.
#define PXE_STATISTICS_RX_UNDERSIZE_FRAMES    0x02
```

```

// Number of frames longer than the maximum length for the
// media. This would be >1500 for ethernet.
#define PXE_STATISTICS_RX_OVERSIZE_FRAMES          0x03

// Valid frames that were dropped because receive buffers
// were full.
#define PXE_STATISTICS_RX_DROPPED_FRAMES          0x04

// Number of valid unicast frames received and not dropped.
#define PXE_STATISTICS_RX_UNICAST_FRAMES          0x05

// Number of valid broadcast frames received and not dropped.
#define PXE_STATISTICS_RX_BROADCAST_FRAMES        0x06

// Number of valid multicast frames received and not dropped.
#define PXE_STATISTICS_RX_MULTICAST_FRAMES        0x07

// Number of frames w/ CRC or alignment errors.
#define PXE_STATISTICS_RX_CRC_ERROR_FRAMES        0x08

// Total number of bytes received. Includes frames with errors
// and dropped frames.
#define PXE_STATISTICS_RX_TOTAL_BYTES             0x09

// Transmit statistics.
#define PXE_STATISTICS_TX_TOTAL_FRAMES            0x0A
#define PXE_STATISTICS_TX_GOOD_FRAMES            0x0B
#define PXE_STATISTICS_TX_UNDERSIZE_FRAMES        0x0C
#define PXE_STATISTICS_TX_OVERSIZE_FRAMES         0x0D
#define PXE_STATISTICS_TX_DROPPED_FRAMES         0x0E
#define PXE_STATISTICS_TX_UNICAST_FRAMES         0x0F
#define PXE_STATISTICS_TX_BROADCAST_FRAMES       0x10
#define PXE_STATISTICS_TX_MULTICAST_FRAMES       0x11
#define PXE_STATISTICS_TX_CRC_ERROR_FRAMES       0x12
#define PXE_STATISTICS_TX_TOTAL_BYTES            0x13

// Number of collisions detection on this subnet.
#define PXE_STATISTICS_COLLISIONS                0x14

// Number of frames destined for unsupported protocol.
#define PXE_STATISTICS_UNSUPPORTED_PROTOCOL       0x15

```



## E.4.14 MCast IP To MAC

Translate a multicast IPv4 or IPv6 address to a multicast MAC address.

### E.4.14.1 Issuing the Command

To issue a MCast IP To MAC command, create a CDB and fill it in as shown in the table below:

CDB Field	How to initialize the CDB structure for a MCast IP To MAC command
OpCode	<code>PXE_OPCODE_MCAST_IP_TO_MAC</code>
OpFlags	Set as needed.
CPBsize	<code>sizeof(PXE_CPB_MCAST_IP_TO_MAC)</code>
DBsize	<code>sizeof(PXE_DB_MCAST_IP_TO_MAC)</code>
CPBaddr	Address of <code>PXE_CPB_MCAST_IP_TO_MAC</code> structure.
Dbaddr	Address of <code>PXE_DB_MCAST_IP_TO_MAC</code> structure.
StatCode	<code>PXE_STATCODE_INITIALIZE</code>
StatFlags	<code>PXE_STATFLAGS_INITIALIZE</code>
Ifnum	A valid interface number from zero to <code>!PXE.IFcnt</code> .
Control	Set as needed.

### E.4.14.2 OpFlags

To convert a multicast IP address to a multicast MAC address the UNDI needs to know the format of the IP address. Set one of these OpFlags to identify the format of the IP addresses in the CPB:

```
PXE_OPFLAGS_MCAST_IPV4_TO_MAC  
PXE_OPFLAGS_MCAST_IPV6_TO_MAC
```

### E.4.14.3 Preparing the CPB

Fill in an array of one or more multicast IP addresses. Be sure to set the `CDB.CPBsize` and `CDB.CPBaddr` fields accordingly.

```
typedef struct s_pxe_cpb_mcast_ip_to_mac {  
  
    // Multicast IP address to be converted to multicast  
    // MAC address.  
    PXE_IP_ADDR    IP[n];  
} PXE_CPB_MCAST_IP_TO_MAC;
```

#### E.4.14.4 Waiting for the Command to Execute

Monitor the upper two bits (14 & 15) in the **CDB.StatFlags** field. Until these bits change to report **PXE\_STATFLAGS\_COMMAND\_COMPLETE** or **PXE\_STATFLAGS\_COMMAND\_FAILED**, the command has not been executed by the UNDI.

StatFlags	Reason
COMMAND_COMPLETE	Command completed successfully. DB is written.
COMMAND_FAILED	Command failed. StatCode field contains error code.
COMMAND_QUEUED	Command has been queued.
INITIALIZE	Command has been not executed or queued.

#### E.4.14.5 Checking Command Execution Results

After command execution completes, either successfully or not, the **CDB.StatCode** field contains the result of the command execution.

StatCode	Reason
SUCCESS	Command completed successfully. DB is written.
INVALID_CDB	One of the CDB fields was not set correctly.
INVALID_CPB	One of the CPB fields was not set correctly.
BUSY	UNDI is already processing commands. Try again later.
QUEUE_FULL	Command queue is full. Try again later.
NOT_STARTED	The UNDI is not started.
NOT_INITIALIZED	The UNDI is not initialized.

#### E.4.14.6 Before Using the DB

The DB is where the multicast MAC addresses will be written.

```
typedef struct s_pxe_db_mcast_ip_to_mac {  
  
    // Multicast MAC address.  
  
    PXE_MAC_ADDR  MAC[n];  
} PXE_DB_MCAST_IP_TO_MAC;
```

## E.4.15 NvData

This command is used to read and write (if supported by NIC H/W) nonvolatile storage on the NIC. Nonvolatile storage could be EEPROM, FLASH or battery backed RAM.

### E.4.15.1 Issuing the Command

To issue a NvData command, create a CDB and fill it in as shown in the table below:

CDB Field	How to initialize the CDB structure for a NvData command
OpCode	<code>PXE_OPCODE_NVDATA</code>
OpFlags	Set as needed.
CPBsize	<code>sizeof(PXE_CPB_NVDATA)</code>
DBsize	<code>sizeof(PXE_DB_NVDATA)</code>
CPBaddr	Address of <code>PXE_CPB_NVDATA</code> structure.
Dbaddr	Address of <code>PXE_DB_NVDATA</code> structure.
StatCode	<code>PXE_STATCODE_INITIALIZE</code>
StatFlags	<code>PXE_STATFLAGS_INITIALIZE</code>
lfnum	A valid interface number from zero to <code>!PXE.IFcnt</code> .
Control	Set as needed.

### E.4.15.2 Preparing the CPB

There are two types of nonvolatile data CPBs, one for sparse updates and one for bulk updates. Sparse updates allow updating of single nonvolatile storage items. Bulk updates always update all nonvolatile storage items. Check the `!PXE.Implementation` flags to see which type of nonvolatile update is supported by this UNDI and network device.

If you do not need to update the nonvolatile storage set the `CDB.CPBsize` and `CDB.CPBaddr` fields to `PXE_CPBSIZE_NOT_USED` and `PXE_CPBADDR_NOT_USED`.

#### E.4.15.2.1 Sparse NvData CPB

```
typedef struct s_pxe_cpb_nvdata_sparse {
    // NvData item list. Only items in this list will be updated.

    struct {

        // Nonvolatile storage address to be changed.
        PXE_UINT32    Addr;

        // Data item to write into above storage address.
        union {
            PXE_UINT8    Byte;
            PXE_UINT16   Word;
            PXE_UINT32   Dword;
        } Data;
    } Item[n];
} PXE_CPB_NVDATA_SPARSE;
```

#### E.4.15.2.2 Bulk NvData CPB

```
// When using bulk update, the size of the CPB structure must be
// the same size as the nonvolatile NIC storage.
```

```
typedef union u_pxe_cpb_nvdata_bulk {

    // Array of byte-wide data items.
    PXE_UINT8      Byte[n];

    // Array of word-wide data items.
    PXE_UINT16     Word[n];

    // Array of dword-wide data items.
    PXE_UINT32     Dword[n];
} PXE_CPB_NVDATA_BULK;
```

#### E.4.15.3 Waiting for the Command to Execute

Monitor the upper two bits (14 & 15) in the **CDB.StatFlags** field. Until these bits change to report **PXE\_STATFLAGS\_COMMAND\_COMPLETE** or **PXE\_STATFLAGS\_COMMAND\_FAILED**, the command has not been executed by the UNDI.

StatFlags	Reason
COMMAND_COMPLETE	Command completed successfully. Nonvolatile data is updated from CPB and/or written to DB.
COMMAND_FAILED	Command failed. StatCode field contains error code.
COMMAND_QUEUED	Command has been queued.
INITIALIZE	Command has been not executed or queued.

#### E.4.15.4 Checking Command Execution Results

After command execution completes, either successfully or not, the **CDB.StatCode** field contains the result of the command execution.

StatCode	Reason
SUCCESS	Command completed successfully. Nonvolatile data is updated from CPB and/or written to DB.
INVALID_CDB	One of the CDB fields was not set correctly.
INVALID_CPB	One of the CPB fields was not set correctly.
BUSY	UNDI is already processing commands. Try again later.
QUEUE_FULL	Command queue is full. Try again later.
NOT_STARTED	The UNDI is not started.
NOT_INITIALIZED	The UNDI is not initialized.
UNSUPPORTED	Requested operation is unsupported.

#### E.4.15.4.1 DB

Check the width and number of nonvolatile storage items. This information is returned by the Get Init Info command.

```
typedef struct s_pxe_db_nvdata {  
  
    // Arrays of data items from nonvolatile storage.  
    union {  
  
        // Array of byte-wide data items.  
        PXE_UINT8  Byte[n];  
  
        // Array of word-wide data items.  
        PXE_UINT16 Word[n];  
  
        // Array of dword-wide data items.  
        PXE_UINT32 Dword[n];  
    } Data;  
} PXE_DB_NVDATA;
```

#### E.4.16 Get Status

This command returns the current interrupt status and/or the transmitted buffer addresses. If the current interrupt status is returned, pending interrupts will be acknowledged by this command. Transmitted buffer addresses that are written to the DB are removed from the transmitted buffer queue.

This command may be used in a polled fashion with external interrupts disabled.

##### E.4.16.1 Issuing the Command

To issue a Get Status command, create a CDB and fill it in as shown in the table below:

CDB Field	How to initialize the CDB structure for a Get Status command
OpCode	<code>PXE_OPCODE_GET_STATUS</code>
OpFlags	Set as needed.
CPBsize	<code>PXE_CPBSIZE_NOT_USED</code>
DBsize	<code>sizeof(PXE_DB_GET_STATUS)</code>
CPBaddr	<code>PXE_CPBADDR_NOT_USED</code>
DBaddr	Address of <code>PXE_DB_GET_STATUS</code> structure.
StatCode	<code>PXE_STATCODE_INITIALIZE</code>
StatFlags	<code>PXE_STATFLAGS_INITIALIZE</code>
IFnum	A valid interface number from zero to <code>!PXE.IFcnt</code> .
Control	Set as needed.

#### E.4.16.1.1 Setting OpFlags

Set one or both of the OpFlags below to return the interrupt status and/or the transmitted buffer addresses.

**PXE\_OPFLAGS\_GET\_INTERRUPT\_STATUS**  
**PXE\_OPFLAGS\_GET\_TRANSMITTED\_BUFFERS**

#### E.4.16.2 Waiting for the Command to Execute

Monitor the upper two bits (14 & 15) in the **CDB.StatFlags** field. Until these bits change to report **PXE\_STATFLAGS\_COMMAND\_COMPLETE** or **PXE\_STATFLAGS\_COMMAND\_FAILED**, the command has not been executed by the UNDI.

StatFlags	Reason
COMMAND_COMPLETE	Command completed successfully. StatFlags and/or DB are updated.
COMMAND_FAILED	Command failed. StatCode field contains error code.
COMMAND_QUEUED	Command has been queued.
INITIALIZE	Command has been not executed or queued.

#### E.4.16.3 Checking Command Execution Results

After command execution completes, either successfully or not, the **CDB.StatCode** field contains the result of the command execution.

StatCode	Reason
SUCCESS	Command completed successfully. StatFlags and/or DB are updated.
INVALID_CDB	One of the CDB fields was not set correctly.
BUSY	UNDI is already processing commands. Try again later.
QUEUE_FULL	Command queue is full. Try again later.
NOT_STARTED	The UNDI is not started.
NOT_INITIALIZED	The UNDI is not initialized.

#### E.4.16.4 StatFlags

If the command completes successfully and the **PXE\_OPFLAGS\_GET\_INTERRUPT\_STATUS** OpFlag was set in the CDB, the current interrupt status is returned in the **CDB.StatFlags** field and any pending interrupts will have been cleared.

**PXE\_STATFLAGS\_GET\_STATUS\_RECEIVE**  
**PXE\_STATFLAGS\_GET\_STATUS\_TRANSMIT**  
**PXE\_STATFLAGS\_GET\_STATUS\_COMMAND**  
**PXE\_STATFLAGS\_GET\_STATUS\_SOFTWARE**

The StatFlags above may not map directly to external interrupt signals. For example: Some NICs may combine both the receive and transmit interrupts to one external interrupt line. When a receive and/or transmit interrupt occurs, use the Get Status to determine which type(s) of interrupt(s) occurred.

This flag is set if the transmitted buffer queue is empty. This flag will be set if all transmitted buffer addresses get written into the DB.

```
PXE_STATFLAGS_GET_STATUS_TXBUF_QUEUE_EMPTY
```

This flag is set if no transmitted buffer addresses were written into the DB.

```
PXE_STATFLAGS_GET_STATUS_NO_TXBUFS_WRITTEN
```

#### E.4.16.5 Using the DB

When reading the transmitted buffer addresses there should be room for at least one 64-bit address in the DB. Once a complete transmitted buffer address is written into the DB, the address is removed from the transmitted buffer queue. If the transmitted buffer queue is full, attempts to use the Transmit command will fail.

```
#pragma pack(1)
typedef struct s_pxe_db_get_status {

    // Length of next receive frame (header + data). If this is
    // zero, there is no next receive frame available.

    PXE_UINT32    RxFrameLen;

    // Reserved, set to zero.

    PXE_UINT32    reserved;

    // Addresses of transmitted buffers that need to be recycled.

    PXE_UINT64    xBuffer[n];
} PXE_DB_GET_STATUS;
#pragma pack()
```

## E.4.17 Fill Header

This command is used to fill the media header(s) in transmit packet(s).

### E.4.17.1 Issuing the Command

To issue a Fill Header command, create a CDB and fill it in as shown in the table below:

CDB Field	How to initialize the CDB structure for a Fill Header command
OpCode	<code>PXE_OPCODE_FILL_HEADER</code>
OpFlags	Set as needed.
CPBsize	<code>PXE_CPB_FILL_HEADER</code>
DBsize	<code>PXE_DBSIZE_NOT_USED</code>
CPBaddr	Address of a <code>PXE_CPB_FILL_HEADER</code> structure.
DBaddr	<code>PXE_DBADDR_NOT_USED</code>
StatCode	<code>PXE_STATCODE_INITIALIZE</code>
StatFlags	<code>PXE_STATFLAGS_INITIALIZE</code>
IFnum	A valid interface number from zero to <code>!PXE.IFcnt</code> .
Control	Set as needed.

### E.4.17.2 OpFlags

Select one of the OpFlags below so the UNDI knows what type of CPB is being used.

```
PXE_OPFLAGS_FILL_HEADER_WHOLE  
PXE_OPFLAGS_FILL_HEADER_FRAGMENTED
```

### E.4.17.3 Preparing the CPB

If multiple frames per command are supported (see `!PXE.Implementation` flags), multiple CPBs can be packed together. The `CDB.CPBsize` field lets the UNDI know how many CPBs are packed together.

### E.4.17.4 Nonfragmented Frame

```
#pragma pack(1)  
typedef struct s_pxe_cpb_fill_header {  
  
    // Source and destination MAC addresses. These will be copied  
    // into the media header without doing byte swapping.  
    PXE_MAC_ADDR SrcAddr;  
    PXE_MAC_ADDR DestAddr;  
  
    // Address of first byte of media header. The first byte of  
    // packet data follows the last byte of the media header.  
    PXE_UINT64 MediaHeader;  
}
```



```

// Length of packet data in bytes (not including the media
// header).
PXE_UINT32    PacketLen;

// Protocol type. This will be copied into the media header
// without doing byte swapping. Protocol type numbers can be
// obtained from the Assigned Numbers RFC 1700.
PXE_UINT16    Protocol;

// Length of the media header in bytes.
PXE_UINT16    MediaHeaderLen;
} PXE_CPB_FILL_HEADER;
#pragma pack()

#define PXE_PROTOCOL_ETHERNET_IP          0x0800
#define PXE_PROTOCOL_ETHERNET_ARP       0x0806

```

#### E.4.17.5 Fragmented Frame

```

#pragma pack(1)
typedef struct s_pxe_cpb_fill_header_fragmented {

// Source and destination MAC addresses. These will be copied
// into the media header without doing byte swapping.
PXE_MAC_ADDR  SrcAddr;
PXE_MAC_ADDR  DestAddr;

// Length of packet data in bytes (not including the media
// header).

PXE_UINT32    PacketLen;
// Protocol type. This will be copied into the media header
// without doing byte swapping. Protocol type numbers can be
// obtained from the Assigned Numbers RFC 1700.
PXE_MEDIA_PROTOCOL Protocol;

// Length of the media header in bytes.
PXE_UINT16    MediaHeaderLen;

// Number of packet fragment descriptors.
PXE_UINT16    FragCnt;

// Reserved, must be set to zero.
PXE_UINT16    reserved;

// Array of packet fragment descriptors. The first byte of the
// media header is the first byte of the first fragment.

struct {

```

```

// Address of this packet fragment.
PXE_UINT64      FragAddr;

// Length of this packet fragment.
PXE_UINT32      FragLen;

// Reserved, must be set to zero.
PXE_UINT32      reserved;
} FragDesc[n];
} PXE_CPB_FILL_HEADER_FRAGMENTED;
#pragma pack()

```

#### E.4.17.6 Waiting for the Command to Execute

Monitor the upper two bits (14 & 15) in the **CDB.StatFlags** field. Until these bits change to report **PXE\_STATFLAGS\_COMMAND\_COMPLETE** or **PXE\_STATFLAGS\_COMMAND\_FAILED**, the command has not been executed by the UNDI.

StatFlags	Reason
COMMAND_COMPLETE	Command completed successfully. Frame is ready to transmit.
COMMAND_FAILED	Command failed. StatCode field contains error code.
COMMAND_QUEUED	Command has been queued.
INITIALIZE	Command has been not executed or queued.

#### E.4.17.7 Checking Command Execution Results

After command execution completes, either successfully or not, the **CDB.StatCode** field contains the result of the command execution.

StatCode	Reason
SUCCESS	Command completed successfully. Frame is ready to transmit.
INVALID_CDB	One of the CDB fields was not set correctly.
INVALID_CPB	One of the CPB fields was not set correctly.
BUSY	UNDI is already processing commands. Try again later.
QUEUE_FULL	Command queue is full. Try again later.
NOT_STARTED	The UNDI is not started.
NOT_INITIALIZED	The UNDI is not initialized.

## E.4.18 Transmit

The Transmit command is used to place a packet into the transmit queue. The data buffers given to this command are to be considered locked and the application or universal network driver loses the ownership of those buffers and must not free or relocate them until the ownership returns.

When the packets are transmitted, a transmit complete interrupt is generated (if interrupts are disabled, the transmit interrupt status is still set and can be checked using the [Get Status](#) command).

Some UNDI implementations and network adapters support transmitting multiple packets with one transmit command. If this feature is supported, multiple transmit CPBs can be linked in one transmit command.

Though all UNDI implementations support fragmented frames, the same cannot be said for all network devices or protocols. If a fragmented frame CPB is given to UNDI and the network device does not support fragmented frames (see **!PXE.Implementation** flags), the UNDI will have to copy the fragments into a local buffer before transmitting.

### E.4.18.1 Issuing the Command

To issue a Transmit command, create a CDB and fill it in as shown in the table below:

CDB Field	How to initialize the CDB structure for a Transmit command
OpCode	<b>PXE_OPCODE_TRANSMIT</b>
OpFlags	Set as needed.
CPBsize	<b>sizeof(PXE_CPB_TRANSMIT)</b>
DBsize	<b>PXE_DBSIZE_NOT_USED</b>
CPBaddr	Address of a <b>PXE_CPB_TRANSMIT</b> structure.
DBaddr	<b>PXE_DBADDR_NOT_USED</b>
StatCode	<b>PXE_STATCODE_INITIALIZE</b>
StatFlags	<b>PXE_STATFLAGS_INITIALIZE</b>
IFnum	A valid interface number from zero to <b>!PXE.IFcnt</b> .
Control	Set as needed.

## E.4.18.2 OpFlags

Check the **!PXE.Implementation** flags to see if the network device support fragmented packets. Select one of the OpFlags below so the UNDI knows what type of CPB is being used.

```
PXE_OPFLAGS_TRANSMIT_WHOLE
PXE_OPFLAGS_TRANSMIT_FRAGMENTED
```

In addition to selecting whether or not fragmented packets are being given, S/W UNDI needs to know if it should block until the packets are transmitted. H/W UNDI cannot block, these two OpFlag settings have no affect when used with H/W UNDI.

```
PXE_OPFLAGS_TRANSMIT_BLOCK
PXE_OPFLAGS_TRANSMIT_DONT_BLOCK
```

## E.4.18.3 Preparing the CPB

If multiple frames per command are supported (see **!PXE.Implementation** flags), multiple CPBs can be packed together. The **CDB.CPBsize** field lets the UNDI know how may frames are to be transmitted.

## E.4.18.4 Nonfragmented Frame

```
#pragma pack(1)
typedef struct s_pxe_cpb_transmit {

    // Address of first byte of frame buffer. This is also the
    // first byte of the media header. This address must be a
    // processor-based address for S/W UNDI and a device-based
    // address for H/W UNDI.
    PXE_UINT64    FrameAddr;

    // Length of the data portion of the frame buffer in bytes. Do
    // not include the length of the media header.
    PXE_UINT32    DataLen;

    // Length of the media header in bytes.
    PXE_UINT16    MediaheaderLen;

    // Reserved, must be zero.
    PXE_UINT16    reserved;
} PXE_CPB_TRANSMIT;
#pragma pack()
```

## E.4.18.5 Fragmented Frame

```
#pragma pack(1)
typedef struct s_pxe_cpb_transmit_fragments {

    // Length of packet data in bytes (not including the media
    // header).
    PXE_UINT32    FrameLen;

    // Length of the media header in bytes.
    PXE_UINT16    MediaheaderLen;

    // Number of packet fragment descriptors.
    PXE_UINT16    FragCnt;

    // Array of frame fragment descriptors. The first byte of the
    // first fragment is also the first byte of the media header.
    struct {
        // Address of this frame fragment. This address must be a
        // processor-based address for S/W UNDI and a device-based
        // address for H/W UNDI.
        PXE_UINT64    FragAddr;

        // Length of this frame fragment.
        PXE_UINT32    FragLen;

        // Reserved, must be set to zero.
        PXE_UINT32    reserved;
    } FragDesc[n];
} PXE_CPB_TRANSMIT_FRAGMENTS;
#pragma pack()
```

### E.4.18.6 Waiting for the Command to Execute

Monitor the upper two bits (14 & 15) in the **CDB.StatFlags** field. Until these bits change to report **PXE\_STATFLAGS\_COMMAND\_COMPLETE** or **PXE\_STATFLAGS\_COMMAND\_FAILED**, the command has not been executed by the UNDI.

StatFlags	Reason
COMMAND_COMPLETE	Command completed successfully. Use the Get Status command to see when frame buffers can be reused.
COMMAND_FAILED	Command failed. StatCode field contains error code.
COMMAND_QUEUED	Command has been queued.
INITIALIZE	Command has been not executed or queued.

### E.4.18.7 Checking Command Execution Results

After command execution completes, either successfully or not, the **CDB.StatCode** field contains the result of the command execution.

StatCode	Reason
SUCCESS	Command completed successfully. Use the Get Status command to see when frame buffers can be reused.
INVALID_CDB	One of the CDB fields was not set correctly.
INVALID_CPB	One of the CPB fields was not set correctly.
BUSY	UNDI is already processing commands. Try again later.
QUEUE_FULL	Command queue is full. Wait for queued commands to complete. Try again later.
BUFFER_FULL	Transmit buffer is full. Call Get Status command to empty buffer.
NOT_STARTED	The UNDI is not started.
NOT_INITIALIZED	The UNDI is not initialized.

## E.4.19 Receive

When the network adapter has received a frame, this command is used to copy the frame into driver/application storage. Once a frame has been copied, it is removed from the receive queue.

### E.4.19.1 Issuing the Command

To issue a Receive command, create a CDB and fill it in as shown in the table below:

CDB Field	How to initialize the CDB structure for a Receive command
OpCode	<code>PXE_OPCODE_RECEIVE</code>
OpFlags	Set as needed.
CPBsize	<code>sizeof(PXE_CPB_RECEIVE)</code>
DBsize	<code>sizeof(PXE_DB_RECEIVE)</code>
CPBaddr	Address of a <code>PXE_CPB_RECEIVE</code> structure.
DBaddr	Address of a <code>PXE_DB_RECEIVE</code> structure.
StatCode	<code>PXE_STATCODE_INITIALIZE</code>
StatFlags	<code>PXE_STATFLAGS_INITIALIZE</code>
IFnum	A valid interface number from zero to <code>!PXE.IFcnt</code> .
Control	Set as needed.

### E.4.19.2 Preparing the CPB

If multiple frames per command are supported (see `!PXE.Implementation` flags), multiple CPBs can be packed together. For each complete received frame, a receive buffer large enough to contain the entire unfragmented frame needs to be described in the CPB. Note that if a smaller than required buffer is provided, only a portion of the packet is received into the buffer, and the remainder of the packet is lost. Subsequent attempts to receive the same packet with a corrected (larger) buffer will be unsuccessful, because the packet will have been flushed from the queue.

```
#pragma pack(1)
typedef struct s_pxe_cpb_receive {

    // Address of first byte of receive buffer. This is also the
    // first byte of the frame header. This address must be a
    // processor-based address for S/W UNDI and a device-based
    // address for H/W UNDI.

    PXE_UINT64    BufferAddr;

    // Length of receive buffer. This must be large enough to hold
    // the received frame (media header + data). If the length of
    // smaller than the received frame, data will be lost.
    PXE_UINT32    BufferLen;

    // Reserved, must be set to zero.
    PXE_UINT32    reserved;
} PXE_CPB_RECEIVE;
#pragma pack()
```

### E.4.19.3 Waiting for the Command to Execute

Monitor the upper two bits (14 & 15) in the **CDB.StatFlags** field. Until these bits change to report **PXE\_STATFLAGS\_COMMAND\_COMPLETE** or **PXE\_STATFLAGS\_COMMAND\_FAILED**, the command has not been executed by the UNDI.

StatFlags	Reason
COMMAND_COMPLETE	Command completed successfully. Frames received and DB is written.
COMMAND_FAILED	Command failed. StatCode field contains error code.
COMMAND_QUEUED	Command has been queued.
INITIALIZE	Command has been not executed or queued.

### E.4.19.4 Checking Command Execution Results

After command execution completes, either successfully or not, the **CDB.StatCode** field contains the result of the command execution.

StatCode	Reason
SUCCESS	Command completed successfully. Frames received and DB is written.
INVALID_CDB	One of the CDB fields was not set correctly.
INVALID_CPB	One of the CPB fields was not set correctly.
BUSY	UNDI is already processing commands. Try again later.
QUEUE_FULL	Command queue is full. Wait for queued commands to complete. Try again later.
NO_DATA	Receive buffers are empty.
NOT_STARTED	The UNDI is not started.
NOT_INITIALIZED	The UNDI is not initialized.



### E.4.19.5 Using the DB

If multiple frames per command are supported (see **!PXE.Implementation** flags), multiple DBs can be packed together.

```
#pragma pack(1)
typedef struct s_pxe_db_receive {

    // Source and destination MAC addresses from media header.
    PXE_MAC_ADDR SrcAddr;
    PXE_MAC_ADDR DestAddr;

    // Length of received frame. May be larger than receive buffer
    // size. The receive buffer will not be overwritten. This is
    // how to tell if data was lost because the receive buffer was
    // too small.
    PXE_UINT32 FrameLen;

    // Protocol type from media header.
    PXE_PROTOCOL Protocol;

    // Length of media header in received frame.
    PXE_UINT16 MediaHeaderLen;

    // Type of receive frame.
    PXE_FRAME_TYPE Type;

    // Reserved, must be zero.
    PXE_UINT8 reserved[7];
} PXE_DB_RECEIVE;
#pragma pack()
```

## E.5 UNDI as an EFI Runtime Driver

This section defines the interface between UNDI and EFI and how UNDI must be initialized as an EFI runtime driver.

In the EFI environment, UNDI must implement the Network Interface Identifier (NII) protocol and install an interface pointer of the type NII protocol with EFI. It must also install a device path protocol with a device path that includes the hardware device path (such as PCI) appended with the NIC's MAC address. If the UNDI drives more than one NIC device, it must install one set of NII and device path protocols for each device it controls.

UNDI must be compiled as a runtime driver so that when the operating system loads, a universal protocol driver can use the UNDI driver to access the NIC hardware.

For the universal driver to be able to find UNDI, UNDI must install a configuration table (using the EFI boot service `InstallConfigurationTable()`) for the GUID NETWORK INTERFACE IDENTIFIER PROTOCOL. The format of the configuration table for UNDI is defined as follows.

```
struct undiconfig_table {
    UINT32 NumberOfInterfaces; // The number of NIC devices
                                // that this UNDI controls.

    UINT32 reserved;
    struct undiconfigtable *nextlink;
                                // A pointer to the next UNDI
                                // configuration table.

    struct {
        VOID *NII_InterfacePointer;
                                // Pointer to the NII interface structure.
        VOID *DevicePathPointer;
                                // pointer to the device path for this NIC
    } NII_entry[n]; // The length of this array is given in
                    // the NumberOfInterfaces field.
} UNDI_CONFIG_TABLE;
```

Since there can only be one configuration table associated with any GUID and there can be more than one UNDI loaded, every instance of UNDI must check for any previous installations of the configuration tables and if there are any, it must traverse through the list of all UNDI configuration tables using the nextlink and install itself as the nextlink of the last table in the list.

The universal protocol driver is responsible for converting all the pointers in the UNDI\_CONFIGURATION\_TABLE to virtual addresses before accessing them. However, UNDI must install an event handler for the SET\_VIRTUAL\_ADDRESS event and convert all its internal pointers into virtual addresses when the event occurs for the universal protocol driver to be able to use UNDI.

# Appendix F

## Using the Simple Pointer Protocol

---

The Simple Pointer Protocol is intended to provide a simple mechanism for an application to interact with the user with some type of pointer device. To keep this interface simple, many of the custom controls that are typically present in an OS-present environment were left out. This includes the ability to adjust the double-click speed and the ability to adjust the pointer speed. Instead, the recommendations for how the Simple Pointer Protocol should be used are listed here.

### ***X-Axis Movement:***

If the Simple Pointer Protocol is being used to move a pointer or cursor around on an output display, the movement along the x-axis should move the pointer or cursor horizontally.

### ***Y-Axis Movement:***

If the Simple Pointer Protocol is being used to move a pointer or cursor around on an output display, the movement along the y-axis should move the pointer or cursor vertically.

### ***Z-Axis Movement:***

If the Simple Pointer Protocol is being used to move a pointer or cursor around on an output display, and the application that is using the Simple Pointer Protocol supports scrolling, then the movement along the z-axis should scroll the output display.

### ***Double Click Speed:***

If two clicks of the same button on a pointer occur in less than 0.5 seconds, then a double-click event has occurred. If the same button is pressed with more than 0.5 seconds between clicks, then this is interpreted as two single-click events.

### ***Pointer Speed:***

The Simple Pointer Protocol returns the movement of the pointer device along an axis in counts. The Simple Pointer Protocol also contains a set of resolution fields that define the number of counts that will be received for each millimeter of movement of the pointer device along an axis. From these two values, the consumer of this protocol can determine the distance the pointer device has been moved in millimeters along an axis. For most applications, movement of a pointer device will result in the movement of a pointer on the screen. For each millimeter of motion by the pointer device in the x-axis, the pointer on the screen will be moved 2 percent of the screen width. For each millimeter of motion by the pointer device in the y-axis, the pointer on the screen will be moved 2 percent of the screen height.



# Appendix G

## Using the EFI SCSI Pass Thru Protocol

---

This appendix describes how an EFI utility might gain access to the EFI SCSI Pass Thru interfaces. The basic concept is to use the `LocateHandle()` boot service to retrieve the list of handles that support the **EFI SCSI PASS THRU Protocol**. Each of these handles represents a different SCSI channel present in the system. Each of these handles can then be used to retrieve the **EFI SCSI PASS THRU Protocol** interface with the `HandleProtocol()` boot service. The **EFI SCSI PASS THRU Protocol** interface provides the services required to access any of the SCSI devices attached to a SCSI channel. The services of the **EFI SCSI PASS THRU Protocol** are then to loop through the Target IDs of all the SCSI devices on the SCSI channel.

```
#include "efi.h"
#include "efilib.h"

#include EFI_PROTOCOL_DEFINITION(ScsiPassThru)

EFI_GUID gEfiScsiPassThruProtocolGuid = EFI_SCSI_PASS_THRU_PROTOCOL_GUID;

EFI_STATUS
UtilityEntryPoint(
    EFI_HANDLE          ImageHandle,
    EFI_SYSTEM_TABLE   SystemTable
)
{
    EFI_STATUS          Status;
    UINTN               NoHandles;
    EFI_HANDLE          *HandleBuffer;
    UINTN               Index;
    EFI_SCSI_PASS_THRU_PROTOCOL *ScsiPassThruProtocol;

    //
    // Initialize EFI Library
    //
    InitializeLib (ImageHandle, SystemTable);

    //
    // Get list of handles that support the
    // EFI_SCSI_PASS_THRU_PROTOCOL
    //
    NoHandles = 0;
    HandleBuffer = NULL;
    Status = LibLocateHandle(
        ByProtocol,
        &gEfiScsiPassThruProtocolGuid,
        NULL,
        &NoHandles,
        &HandleBuffer
    );
}
```

```

if (EFI_ERROR(Status)) {
    BS->Exit(ImageHandle,EFI_SUCCESS,0,NULL);
}

//
// Loop through all the handles that support
// EFI_SCSI_PASS_THRU
//
for (Index = 0; Index < NoHandles; Index++) {

    //
    // Get the EFI_SCSI_PASS_THRU_PROTOCOL Interface
    // on each handle
    //
    BS->HandleProtocol(
        HandleBuffer[Index],
        &gEfiScsiPassThruProtocolGuid,
        (VOID **)&ScsiPassThruProtocol
    );

    if (!EFI_ERROR(Status)) {

        //
        // Use the EFI_SCSI_PASS_THRU Interface to
        // perform tests
        //
        Status = DoScsiTests(ScsiPassThruProtocol);
    }
}
return EFI_SUCCESS;
}

EFI_STATUS
DoScsiTests(
    EFI_SCSI_PASS_THRU_PROTOCOL *ScsiPassThruProtocol
)
{
    EFI_STATUS                Status;
    UINT32                    Target;
    UINT64                    Lun;
    EFI_SCSI_PASS_THRU_SCSI_REQUEST_PACKET Packet;
    EFI_EVENT                 Event;
}

```

```

//
// Get first Target ID and LUN on the SCSI channel
//
Target = 0xffffffff;
Lun     = 0;
Status = ScsiPassThruProtocol->GetNextDevice(
                ScsiPassThruProtocol,
                &Target,
                &Lun
                );

//
// Loop through all the SCSI devices on the SCSI channel
//
while (!EFI_ERROR (Status)) {

    //
    // Blocking I/O example.
    // Fill in Packet before calling PassThru()
    //
    Status = ScsiPassThruProtocol->PassThru(
                ScsiPassThruProtocol,
                Target,
                Lun,
                &Packet,
                NULL
                );

    //
    // Non Blocking I/O
    // Fill in Packet and create Event before calling PassThru()
    //
    Status = ScsiPassThruProtocol->PassThru(
                ScsiPassThruProtocol,
                Target,
                Lun,
                &Packet,
                &Event
                );

    //
    // Get next Target ID and LUN on the SCSI channel
    //
    Status = ScsiPassThruProtocol->GetNextDevice(
                ScsiPassThruProtocol,
                &Target,
                &Lun
                );
}

return EFI_SUCCESS;
}

```





# Appendix H

## Compression Source Code

---

```
/**+
Copyright (c) 2001-2002 Intel Corporation

Module Name:

    Compress.c

Abstract:

    Compression routine. The compression algorithm is a mixture of
    LZ77 and Huffman Coding. LZ77 transforms the source data into a
    sequence of Original Characters and Pointers to repeated strings.
    This sequence is further divided into Blocks and Huffman codings
    are applied to each Block.

Revision History:
--*/

#include <string.h>
#include <stdlib.h>
#include "eficommon.h"

//
// Macro Definitions
//

typedef INT16          NODE;
#define  UINT8_MAX     0xff
#define  UINT8_BIT     8
#define  THRESHOLD     3
#define  INIT_CRC      0
#define  WNDBIT        13
#define  WNDSIZ        (1U << WNDBIT)
#define  MAXMATCH      256
#define  PERC_FLAG     0x8000U
#define  CODE_BIT      16
#define  NIL           0
#define  MAX_HASH_VAL  (3 * WNDSIZ + (WNDSIZ / 512 + 1) * UINT8_MAX)
#define  HASH(p, c)    ((p) + ((c) << (WNDBIT - 9)) + WNDSIZ * 2)
#define  CRCPOLY       0xA001
#define  UPDATE_CRC(c) mCrc = mCrcTable[(mCrc ^ (c)) & 0xFF] ^ (mCrc >>
UINT8_BIT)

//
// C: the Char&Len Set; P: the Position Set; T: the exTra Set
//

#define  NC              (UINT8_MAX + MAXMATCH + 2 - THRESHOLD)
#define  CBIT           9
#define  NP              (WNDBIT + 1)
```

```

#define PBIT                4
#define NT                   (CODE_BIT + 3)
#define TBIT                 5
#if NT > NP
    #define                 NPT NT
#else
    #define                 NPT NP
#endif

//
// Function Prototypes
//

STATIC
VOID
PutDword(
    IN UINT32 Data
    );

STATIC
EFI_STATUS
AllocateMemory (
    );

STATIC
VOID
FreeMemory (
    );

STATIC
VOID
InitSlide (
    );

STATIC
NODE
Child (
    IN NODE q,
    IN UINT8 c
    );

STATIC
VOID
MakeChild (
    IN NODE q,
    IN UINT8 c,
    IN NODE r
    );

STATIC
VOID
Split (
    IN NODE Old
    );

STATIC
VOID
InsertNode (
    );

```

```

STATIC
VOID
DeleteNode (
    );

STATIC
VOID
GetNextMatch (
    );

STATIC
EFI_STATUS
Encode (
    );

STATIC
VOID
CountTFreq (
    );

STATIC
VOID
WritePTLen (
    IN INT32 n,
    IN INT32 nbit,
    IN INT32 Special
    );

STATIC
VOID
WriteCLen (
    );

STATIC
VOID
EncodeC (
    IN INT32 c
    );

STATIC
VOID
EncodeP (
    IN UINT32 p
    );

STATIC
VOID
SendBlock (
    );

STATIC
VOID
Output (
    IN UINT32 c,
    IN UINT32 p
    );

```

```

STATIC
VOID
HufEncodeStart (
    );

STATIC
VOID
HufEncodeEnd (
    );

STATIC
VOID
MakeCrcTable (
    );

STATIC
VOID
PutBits (
    IN INT32 n,
    IN UINT32 x
    );

STATIC
INT32
FreadCrc (
    OUT UINT8 *p,
    IN INT32 n
    );

STATIC
VOID
InitPutBits (
    );

STATIC
VOID
CountLen (
    IN INT32 i
    );

STATIC
VOID
MakeLen (
    IN INT32 Root
    );

STATIC
VOID
DownHeap (
    IN INT32 i
    );

STATIC
VOID
MakeCode (
    IN INT32 n,
    IN UINT8 Len[],
    OUT UINT16 Code[]
    );

```

```

STATIC
INT32
MakeTree (
    IN  INT32  NParm,
    IN  UINT16 FreqParm[],
    OUT UINT8  LenParm[],
    OUT UINT16 CodeParm[]
);

//
// Global Variables
//

STATIC UINT8 *mSrc, *mDst, *mSrcUpperLimit, *mDstUpperLimit;

STATIC UINT8 *mLevel, *mText, *mChildCount, *mBuf, mCLen[NC], mPTLen[NPT],
*mLen;
STATIC INT16 mHeap[NC + 1];
STATIC INT32 mRemainder, mMatchLen, mBitCount, mHeapSize, mN;
STATIC UINT32 mBufSiz = 0, mOutputPos, mOutputMask, mSubBitBuf, mCrc;
STATIC UINT32 mCompSize, mOrigSize;

STATIC UINT16 *mFreq, *mSortPtr, mLenCnt[17], mLeft[2 * NC - 1], mRight[2 * NC
- 1],
mCrcTable[UINT8_MAX + 1], mCFreq[2 * NC - 1], mCTable[4096],
mCCode[NC],
mPFreq[2 * NP - 1], mPTCode[NPT], mTFreq[2 * NT - 1];

STATIC NODE mPos, mMatchPos, mAvail, *mPosition, *mParent, *mPrev, *mNext =
NULL;

//
// functions
//

EFI_STATUS
Compress (
    IN      UINT8  *SrcBuffer,
    IN      UINT32 SrcSize,
    IN      UINT8  *DstBuffer,
    IN OUT  UINT32 *DstSize
)
/**+

```

Routine Description:

The main compression routine.

Arguments:

SrcBuffer - The buffer storing the source data  
SrcSize - The size of the source data  
DstBuffer - The buffer to store the compressed data  
DstSize - On input, the size of DstBuffer; On output,  
the size of the actual compressed data.

Returns:

```
EFI_BUFFER_TOO_SMALL - The DstBuffer is too small. In this case,  
                      DstSize contains the size needed.  
EFI_SUCCESS          - Compression is successful.  
  
--*/  
{  
    EFI_STATUS Status = EFI_SUCCESS;  
  
    //  
    // Initializations  
    //  
  
    mBufSiz = 0;  
    mBuf = NULL;  
    mText      = NULL;  
    mLevel     = NULL;  
    mChildCount = NULL;  
    mPosition  = NULL;  
    mParent    = NULL;  
    mPrev      = NULL;  
    mNext      = NULL;  
  
    mSrc = SrcBuffer;  
    mSrcUpperLimit = mSrc + SrcSize;  
    mDst = DstBuffer;  
    mDstUpperLimit = mDst + *DstSize;  
  
    PutDword(0L);  
    PutDword(0L);  
  
    MakeCrcTable ();  
  
    mOrigSize = mCompSize = 0;  
    mCrc = INIT_CRC;  
  
    //  
    // Compress it  
    //  
  
    Status = Encode();  
    if (EFI_ERROR (Status)) {  
        return EFI_OUT_OF_RESOURCES;  
    }  
  
    //  
    // Null terminate the compressed data  
    //  
    if (mDst < mDstUpperLimit) {  
        *mDst++ = 0;  
    }  
  
    //  
    // Fill in compressed size and original size  
    //  
    mDst = DstBuffer;  
    PutDword(mCompSize+1);  
    PutDword(mOrigSize);
```

```

//
// Return
//

if (mCompSize + 1 + 8 > *DstSize) {
    *DstSize = mCompSize + 1 + 8;
    return EFI_BUFFER_TOO_SMALL;
} else {
    *DstSize = mCompSize + 1 + 8;
    return EFI_SUCCESS;
}

}

STATIC
VOID
PutDword(
    IN UINT32 Data
)
/**++

Routine Description:

    Put a dword to output stream

Arguments:

    Data    - the dword to put

Returns: (VOID)

--*/
{
    if (mDst < mDstUpperLimit) {
        *mDst++ = (UINT8)((UINT8)(Data          )) & 0xff);
    }

    if (mDst < mDstUpperLimit) {
        *mDst++ = (UINT8)((UINT8)(Data >> 0x08)) & 0xff);
    }

    if (mDst < mDstUpperLimit) {
        *mDst++ = (UINT8)((UINT8)(Data >> 0x10)) & 0xff);
    }

    if (mDst < mDstUpperLimit) {
        *mDst++ = (UINT8)((UINT8)(Data >> 0x18)) & 0xff);
    }
}

STATIC
EFI_STATUS
AllocateMemory ()
/**++

```

Routine Description:

Allocate memory spaces for data structures used in compression process

Arguments: (VOID)

Returns:

EFI\_SUCCESS - Memory is allocated successfully  
EFI\_OUT\_OF\_RESOURCES - Allocation fails

```
--*/
{
    UINT32      i;

    mText = malloc (WNDSIZ * 2 + MAXMATCH);
    for (i = 0; i < WNDSIZ * 2 + MAXMATCH; i ++) {
        mText[i] = 0;
    }
    mLevel      = malloc ((WNDSIZ + UINT8_MAX + 1) * sizeof(*mLevel));
    mChildCount = malloc ((WNDSIZ + UINT8_MAX + 1) * sizeof(*mChildCount));
    mPosition   = malloc ((WNDSIZ + UINT8_MAX + 1) * sizeof(*mPosition));
    mParent     = malloc (WNDSIZ * 2 * sizeof(*mParent));
    mPrev       = malloc (WNDSIZ * 2 * sizeof(*mPrev));
    mNext       = malloc ((MAX_HASH_VAL + 1) * sizeof(*mNext));

    mBufSiz = 16 * 1024U;
    while ((mBuf = malloc(mBufSiz)) == NULL) {
        mBufSiz = (mBufSiz / 10U) * 9U;
        if (mBufSiz < 4 * 1024U) {
            return EFI_OUT_OF_RESOURCES;
        }
    }
    mBuf[0] = 0;

    return EFI_SUCCESS;
}

VOID
FreeMemory ()
/*++
```

Routine Description:

Called when compression is completed to free memory previously allocated.

Arguments: (VOID)

Returns: (VOID)

```
--*/
{
    if (mText) {
        free (mText);
    }

    if (mLevel) {
        free (mLevel);
    }
}
```



```

    if (mChildCount) {
        free (mChildCount);
    }

    if (mPosition) {
        free (mPosition);
    }

    if (mParent) {
        free (mParent);
    }

    if (mPrev) {
        free (mPrev);
    }

    if (mNext) {
        free (mNext);
    }

    if (mBuf) {
        free (mBuf);
    }

    return;
}

```

```

STATIC
VOID
InitSlide ()
/*++

```

Routine Description:

Initialize String Info Log data structures

Arguments: (VOID)

Returns: (VOID)

```

--*/
{
    NODE i;

    for (i = WNDSIZ; i <= WNDSIZ + UINT8_MAX; i++) {
        mLevel[i] = 1;
        mPosition[i] = NIL; /* sentinel */
    }
    for (i = WNDSIZ; i < WNDSIZ * 2; i++) {
        mParent[i] = NIL;
    }
    mAvail = 1;
    for (i = 1; i < WNDSIZ - 1; i++) {
        mNext[i] = (NODE)(i + 1);
    }
}

```

```

mNext[WNDSIZ - 1] = NIL;
for (i = WNDSIZ * 2; i <= MAX_HASH_VAL; i++) {
    mNext[i] = NIL;
}
}

```

```

STATIC
NODE
Child (
    IN NODE q,
    IN UINT8 c
)
/*++

```

Routine Description:

Find child node given the parent node and the edge character

Arguments:

q        - the parent node  
c        - the edge character

Returns:

The child node (NIL if not found)

```

--*/
{
    NODE r;

    r = mNext[HASH(q, c)];
    mParent[NIL] = q; /* sentinel */
    while (mParent[r] != q) {
        r = mNext[r];
    }

    return r;
}

```

```

STATIC
VOID
MakeChild (
    IN NODE q,
    IN UINT8 c,
    IN NODE r
)
/*++

```

Routine Description:

Create a new child for a given parent node.

Arguments:

q        - the parent node  
c        - the edge character  
r        - the child node

Returns: (VOID)

```
--*/  
{  
    NODE h, t;  
  
    h = (NODE)HASH(q, c);  
    t = mNext[h];  
    mNext[h] = r;  
    mNext[r] = t;  
    mPrev[t] = r;  
    mPrev[r] = h;  
    mParent[r] = q;  
    mChildCount[q]++;  
}
```

```
STATIC  
VOID  
Split (  
    NODE Old  
)  
/*++
```

Routine Description:

Split a node.

Arguments:

Old - the node to split

Returns: (VOID)

```
--*/  
{  
    NODE New, t;  
  
    New = mAvail;  
    mAvail = mNext[New];  
    mChildCount[New] = 0;  
    t = mPrev[Old];  
    mPrev[New] = t;  
    mNext[t] = New;  
    t = mNext[Old];  
    mNext[New] = t;  
    mPrev[t] = New;  
    mParent[New] = mParent[Old];  
    mLevel[New] = (UINT8)mMatchLen;  
    mPosition[New] = mPos;  
    MakeChild(New, mText[mMatchPos + mMatchLen], Old);  
    MakeChild(New, mText[mPos + mMatchLen], mPos);  
}
```

```
STATIC  
VOID  
InsertNode (  
)  
/*++
```

Routine Description:

Insert string info for current position into the String Info Log

Arguments: (VOID)

Returns: (VOID)

```
--*/
{
    NODE q, r, j, t;
    UINT8 c, *t1, *t2;

    if (mMatchLen >= 4) {

        //
        // We have just got a long match, the target tree
        // can be located by MatchPos + 1. Traverse the tree
        // from bottom up to get to a proper starting point.
        // The usage of PERC_FLAG ensures proper node deletion
        // in DeleteNode() later.
        //

        mMatchLen--;
        r = (INT16)((mMatchPos + 1) | WNDSIZ);
        while ((q = mParent[r]) == NIL) {
            r = mNext[r];
        }
        while (mLevel[q] >= mMatchLen) {
            r = q; q = mParent[q];
        }
        t = q;
        while (mPosition[t] < 0) {
            mPosition[t] = mPos;
            t = mParent[t];
        }
        if (t < WNDSIZ) {
            mPosition[t] = (NODE)(mPos | PERC_FLAG);
        }
    } else {

        //
        // Locate the target tree
        //

        q = (INT16)(mText[mPos] + WNDSIZ);
        c = mText[mPos + 1];
        if ((r = Child(q, c)) == NIL) {
            MakeChild(q, c, mPos);
            mMatchLen = 1;
            return;
        }
        mMatchLen = 2;
    }

    //
    // Traverse down the tree to find a match.
    // Update Position value along the route.
    // Node split or creation is involved.
    //
}
```

```

for ( ; ; ) {
    if (r >= WNDSIZ) {
        j = MAXMATCH;
        mMatchPos = r;
    } else {
        j = mLevel[r];
        mMatchPos = (NODE) (mPosition[r] & ~PERC_FLAG);
    }
    if (mMatchPos >= mPos) {
        mMatchPos -= WNDSIZ;
    }
    t1 = &mText[mPos + mMatchLen];
    t2 = &mText[mMatchPos + mMatchLen];
    while (mMatchLen < j) {
        if (*t1 != *t2) {
            Split(r);
            return;
        }
        mMatchLen++;
        t1++;
        t2++;
    }
    if (mMatchLen >= MAXMATCH) {
        break;
    }
    mPosition[r] = mPos;
    q = r;
    if ((r = Child(q, *t1)) == NIL) {
        MakeChild(q, *t1, mPos);
        return;
    }
    mMatchLen++;
}
t = mPrev[r];
mPrev[mPos] = t;
mNext[t] = mPos;
t = mNext[r];
mNext[mPos] = t;
mPrev[t] = mPos;
mParent[mPos] = q;
mParent[r] = NIL;

//
// Special usage of 'next'
//
mNext[r] = mPos;
}

STATIC
VOID
DeleteNode ()
/*++

```

Routine Description:

Delete outdated string info. (The Usage of PERC\_FLAG ensures a clean deletion)

Arguments: (VOID)

Returns: (VOID)

```
--*/
{
    NODE q, r, s, t, u;

    if (mParent[mPos] == NIL) {
        return;
    }

    r = mPrev[mPos];
    s = mNext[mPos];
    mNext[r] = s;
    mPrev[s] = r;
    r = mParent[mPos];
    mParent[mPos] = NIL;
    if (r >= WNDSIZ || --mChildCount[r] > 1) {
        return;
    }
    t = (NODE)(mPosition[r] & ~PERC_FLAG);
    if (t >= mPos) {
        t -= WNDSIZ;
    }
    s = t;
    q = mParent[r];
    while ((u = mPosition[q]) & PERC_FLAG) {
        u &= ~PERC_FLAG;
        if (u >= mPos) {
            u -= WNDSIZ;
        }
        if (u > s) {
            s = u;
        }
        mPosition[q] = (INT16)(s | WNDSIZ);
        q = mParent[q];
    }
    if (q < WNDSIZ) {
        if (u >= mPos) {
            u -= WNDSIZ;
        }
        if (u > s) {
            s = u;
        }
        mPosition[q] = (INT16)(s | WNDSIZ | PERC_FLAG);
    }
    s = Child(r, mText[t + mLevel[r]]);
    t = mPrev[s];
    u = mNext[s];
    mNext[t] = u;
    mPrev[u] = t;
    t = mPrev[r];
    mNext[t] = s;
    mPrev[s] = t;
    t = mNext[r];
    mPrev[t] = s;
    mNext[s] = t;
}
```

```

    mParent[s] = mParent[r];
    mParent[r] = NIL;
    mNext[r] = mAvail;
    mAvail = r;
}

```

```

STATIC
VOID
GetNextMatch ()
/*++

```

Routine Description:

Advance the current position (read in new data if needed).  
Delete outdated string info. Find a match string for current position.

Arguments: (VOID)

Returns: (VOID)

```

--*/
{
    INT32 n;

    mRemainder--;
    if (++mPos == WNDSIZ * 2) {
        memmove(&mText[0], &mText[WNDSIZ], WNDSIZ + MAXMATCH);
        n = FreadCrc(&mText[WNDSIZ + MAXMATCH], WNDSIZ);
        mRemainder += n;
        mPos = WNDSIZ;
    }
    DeleteNode();
    InsertNode();
}

```

```

STATIC
EFI_STATUS
Encode ()
/*++

```

Routine Description:

The main controlling routine for compression process.

Arguments: (VOID)

Returns:

EFI\_SUCCESS - The compression is successful  
EFI\_OUT\_OF\_RESOURCES - Not enough memory for compression process

```

--*/
{
    EFI_STATUS Status;
    INT32 LastMatchLen;
    NODE LastMatchPos;

    Status = AllocateMemory();
    if (EFI_ERROR(Status)) {
        FreeMemory();
    }
}

```

```

    return Status;
}

InitSlide();

HufEncodeStart();

mRemainder = FreadCrc(&mText[WNDSIZ], WNDSIZ + MAXMATCH);

mMatchLen = 0;
mPos = WNDSIZ;
InsertNode();
if (mMatchLen > mRemainder) {
    mMatchLen = mRemainder;
}
while (mRemainder > 0) {
    LastMatchLen = mMatchLen;
    LastMatchPos = mMatchPos;
    GetNextMatch();
    if (mMatchLen > mRemainder) {
        mMatchLen = mRemainder;
    }

    if (mMatchLen > LastMatchLen || LastMatchLen < THRESHOLD) {

        //
        // Not enough benefits are gained by outputting a pointer,
        // so just output the original character
        //

        Output(mText[mPos - 1], 0);
    } else {

        //
        // Outputting a pointer is beneficial enough, do it.
        //

        Output(LastMatchLen + (UINT8_MAX + 1 - THRESHOLD),
               (mPos - LastMatchPos - 2) & (WNDSIZ - 1));
        while (--LastMatchLen > 0) {
            GetNextMatch();
        }
        if (mMatchLen > mRemainder) {
            mMatchLen = mRemainder;
        }
    }
}

HufEncodeEnd();
FreeMemory();
return EFI_SUCCESS;
}

STATIC
VOID
CountTFreq ()
/*+++

```



Routine Description:

Count the frequencies for the Extra Set

Arguments: (VOID)

Returns: (VOID)

```
--*/
{
    INT32 i, k, n, Count;

    for (i = 0; i < NT; i++) {
        mTFreq[i] = 0;
    }
    n = NC;
    while (n > 0 && mCLen[n - 1] == 0) {
        n--;
    }
    i = 0;
    while (i < n) {
        k = mCLen[i++];
        if (k == 0) {
            Count = 1;
            while (i < n && mCLen[i] == 0) {
                i++;
                Count++;
            }
            if (Count <= 2) {
                mTFreq[0] = (UINT16)(mTFreq[0] + Count);
            } else if (Count <= 18) {
                mTFreq[1]++;
            } else if (Count == 19) {
                mTFreq[0]++;
                mTFreq[1]++;
            } else {
                mTFreq[2]++;
            }
        } else {
            mTFreq[k + 2]++;
        }
    }
}

STATIC
VOID
WritePTLen (
    IN INT32 n,
    IN INT32 nbit,
    IN INT32 Special
)
/*++
```

Routine Description:

Outputs the code length array for the Extra Set or the Position Set.

Arguments:

n - the number of symbols  
nbit - the number of bits needed to represent 'n'  
Special - the special symbol that needs to be take care of

Returns: (VOID)

```
---*/  
{  
    INT32 i, k;  
  
    while (n > 0 && mPTLen[n - 1] == 0) {  
        n--;  
    }  
    PutBits(nbit, n);  
    i = 0;  
    while (i < n) {  
        k = mPTLen[i++];  
        if (k <= 6) {  
            PutBits(3, k);  
        } else {  
            PutBits(k - 3, (1U << (k - 3)) - 2);  
        }  
        if (i == Special) {  
            while (i < 6 && mPTLen[i] == 0) {  
                i++;  
            }  
            PutBits(2, (i - 3) & 3);  
        }  
    }  
}
```

```
STATIC  
VOID  
WriteCLen ()  
/*++
```

Routine Description:

Outputs the code length array for Char&Length Set

Arguments: (VOID)

Returns: (VOID)

```
---*/  
{  
    INT32 i, k, n, Count;  
  
    n = NC;  
    while (n > 0 && mCLen[n - 1] == 0) {  
        n--;  
    }  
    PutBits(CBIT, n);  
    i = 0;  
    while (i < n) {  
        k = mCLen[i++];  
        if (k == 0) {  
            Count = 1;  
        }  
    }  
}
```

```

while (i < n && mCLen[i] == 0) {
    i++;
    Count++;
}
if (Count <= 2) {
    for (k = 0; k < Count; k++) {
        PutBits(mPTLen[0], mPTCode[0]);
    }
} else if (Count <= 18) {
    PutBits(mPTLen[1], mPTCode[1]);
    PutBits(4, Count - 3);
} else if (Count == 19) {
    PutBits(mPTLen[0], mPTCode[0]);
    PutBits(mPTLen[1], mPTCode[1]);
    PutBits(4, 15);
} else {
    PutBits(mPTLen[2], mPTCode[2]);
    PutBits(CBIT, Count - 20);
}
} else {
    PutBits(mPTLen[k + 2], mPTCode[k + 2]);
}
}
}

STATIC
VOID
EncodeC (
    IN INT32 c
)
{
    PutBits(mCLen[c], mCCode[c]);
}

STATIC
VOID
EncodeP (
    IN UINT32 p
)
{
    UINT32 c, q;

    c = 0;
    q = p;
    while (q) {
        q >>= 1;
        c++;
    }
    PutBits(mPTLen[c], mPTCode[c]);
    if (c > 1) {
        PutBits(c - 1, p & (0xFFFFU >> (17 - c)));
    }
}

STATIC
VOID
SendBlock ()
/*++

```

Routine Description:

Huffman code the block and output it.

Argument: (VOID)

Returns: (VOID)

```
--*/
{
    UINT32 i, k, Flags, Root, Pos, Size;
    Flags = 0;

    Root = MakeTree(NC, mCFreq, mCLen, mCCode);
    Size = mCFreq[Root];
    PutBits(16, Size);
    if (Root >= NC) {
        CountTFreq();
        Root = MakeTree(NT, mTFreq, mPTLen, mPTCode);
        if (Root >= NT) {
            WritePTLen(NT, TBIT, 3);
        } else {
            PutBits(TBIT, 0);
            PutBits(TBIT, Root);
        }
        WriteCLen();
    } else {
        PutBits(TBIT, 0);
        PutBits(TBIT, 0);
        PutBits(CBIT, 0);
        PutBits(CBIT, Root);
    }
}
Root = MakeTree(NP, mPFreq, mPTLen, mPTCode);
if (Root >= NP) {
    WritePTLen(NP, PBIT, -1);
} else {
    PutBits(PBIT, 0);
    PutBits(PBIT, Root);
}
Pos = 0;
for (i = 0; i < Size; i++) {
    if (i % UINT8_BIT == 0) {
        Flags = mBuf[Pos++];
    } else {
        Flags <<= 1;
    }
    if (Flags & (1U << (UINT8_BIT - 1))) {
        EncodeC(mBuf[Pos++] + (1U << UINT8_BIT));
        k = mBuf[Pos++] << UINT8_BIT;
        k += mBuf[Pos++];
        EncodeP(k);
    } else {
        EncodeC(mBuf[Pos++]);
    }
}
for (i = 0; i < NC; i++) {
    mCFreq[i] = 0;
}
}
```

```

    for (i = 0; i < NP; i++) {
        mPFreq[i] = 0;
    }
}

```

```

STATIC
VOID
Output (
    IN UINT32 c,
    IN UINT32 p
)
/*++

```

Routine Description:

Outputs an Original Character or a Pointer

Arguments:

c - The original character or the 'String Length' element of a Pointer  
p - The 'Position' field of a Pointer

Returns: (VOID)

```

--*/
{
    STATIC UINT32 CPos;

    if ((mOutputMask >>= 1) == 0) {
        mOutputMask = 1U << (UINT8_BIT - 1);
        if (mOutputPos >= mBufSiz - 3 * UINT8_BIT) {
            SendBlock();
            mOutputPos = 0;
        }
        CPos = mOutputPos++;
        mBuf[CPos] = 0;
    }
    mBuf[mOutputPos++] = (UINT8) c;
    mCFreq[c]++;
    if (c >= (1U << UINT8_BIT)) {
        mBuf[CPos] |= mOutputMask;
        mBuf[mOutputPos++] = (UINT8) (p >> UINT8_BIT);
        mBuf[mOutputPos++] = (UINT8) p;
        c = 0;
        while (p) {
            p >>= 1;
            c++;
        }
        mPFreq[c]++;
    }
}

```

```

STATIC
VOID
HufEncodeStart ()
{
    INT32 i;

    for (i = 0; i < NC; i++) {
        mCFreq[i] = 0;
    }
    for (i = 0; i < NP; i++) {
        mPFreq[i] = 0;
    }
    mOutputPos = mOutputMask = 0;
    InitPutBits();
    return;
}

STATIC
VOID
HufEncodeEnd ()
{
    SendBlock();

    //
    // Flush remaining bits
    //
    PutBits(UINT8_BIT - 1, 0);

    return;
}

STATIC
VOID
MakeCrcTable ()
{
    UINT32 i, j, r;

    for (i = 0; i <= UINT8_MAX; i++) {
        r = i;
        for (j = 0; j < UINT8_BIT; j++) {
            if (r & 1) {
                r = (r >> 1) ^ CRCPOLY;
            } else {
                r >>= 1;
            }
        }
        mCrcTable[i] = (UINT16)r;
    }
}

STATIC
VOID
PutBits (
    IN INT32 n,
    IN UINT32 x
)
/*++

```

Routine Description:

Outputs rightmost n bits of x

Arguments:

n - the rightmost n bits of the data is used  
x - the data

Returns: (VOID)

```
--*/  
{  
    UINT8 Temp;  
  
    if (n < mBitCount) {  
        mSubBitBuf |= x << (mBitCount - n);  
    } else {  
  
        Temp = (UINT8)(mSubBitBuf | (x >> (n - mBitCount)));  
        if (mDst < mDstUpperLimit) {  
            *mDst++ = Temp;  
        }  
        mCompSize++;  
  
        if (n < UINT8_BIT) {  
            mSubBitBuf = x << (mBitCount - UINT8_BIT - n);  
        } else {  
  
            Temp = (UINT8)(x >> (n - UINT8_BIT));  
            if (mDst < mDstUpperLimit) {  
                *mDst++ = Temp;  
            }  
            mCompSize++;  
  
            mSubBitBuf = x << (mBitCount - 2 * UINT8_BIT - n);  
        }  
    }  
}  
  
STATIC  
INT32  
FreadCrc (  
    OUT UINT8 *p,  
    IN INT32 n  
)  
/*++
```

Routine Description:

Read in source data

Arguments:

p - the buffer to hold the data  
n - number of bytes to read

Returns:

number of bytes actually read

```
--*/
{
    INT32 i;

    for (i = 0; mSrc < mSrcUpperLimit && i < n; i++) {
        *p++ = *mSrc++;
    }
    n = i;

    p -= n;
    mOrigSize += n;
    while (--i >= 0) {
        UPDATE_CRC(*p++);
    }
    return n;
}
```

```
STATIC
VOID
InitPutBits ()
{
    mBitCount = UINT8_BIT;
    mSubBitBuf = 0;
}
```

```
STATIC
VOID
CountLen (
    IN INT32 i
)
/*++
```

Routine Description:

Count the number of each code length for a Huffman tree.

Arguments:

i - the top node

Returns: (VOID)

```
--*/
{
    STATIC INT32 Depth = 0;

    if (i < mN) {
        mLenCnt[(Depth < 16) ? Depth : 16]++;
    } else {
        Depth++;
        CountLen(mLeft [i]);
        CountLen(mRight[i]);
        Depth--;
    }
}
```



```

STATIC
VOID
MakeLen (
    IN INT32 Root
)
/*++

```

Routine Description:

Create code length array for a Huffman tree

Arguments:

Root - the root of the tree

```

--*/
{
    INT32 i, k;
    UINT32 Cum;

    for (i = 0; i <= 16; i++) {
        mLenCnt[i] = 0;
    }
    CountLen(Root);

    //
    // Adjust the length count array so that
    // no code will be generated longer than the designated length
    //

    Cum = 0;
    for (i = 16; i > 0; i--) {
        Cum += mLenCnt[i] << (16 - i);
    }
    while (Cum != (1U << 16)) {
        mLenCnt[16]--;
        for (i = 15; i > 0; i--) {
            if (mLenCnt[i] != 0) {
                mLenCnt[i]--;
                mLenCnt[i+1] += 2;
                break;
            }
        }
        Cum--;
    }
    for (i = 16; i > 0; i--) {
        k = mLenCnt[i];
        while (--k >= 0) {
            mLen[*mSortPtr++] = (UINT8)i;
        }
    }
}

```

```

STATIC
VOID
DownHeap (
    IN INT32 i
    )
{
    INT32 j, k;

    //
    // priority queue: send i-th entry down heap
    //

    k = mHeap[i];
    while ((j = 2 * i) <= mHeapSize) {
        if (j < mHeapSize && mFreq[mHeap[j]] > mFreq[mHeap[j + 1]]) {
            j++;
        }
        if (mFreq[k] <= mFreq[mHeap[j]]) {
            break;
        }
        mHeap[i] = mHeap[j];
        i = j;
    }
    mHeap[i] = (INT16)k;
}

```

```

STATIC
VOID
MakeCode (
    IN INT32 n,
    IN UINT8 Len[],
    OUT UINT16 Code[]
    )
/*++

```

Routine Description:

Assign code to each symbol based on the code length array

Arguments:

n - number of symbols  
 Len - the code length array  
 Code - stores codes for each symbol

Returns: (VOID)

```

--*/
{
    INT32 i;
    UINT16 Start[18];

    Start[1] = 0;
    for (i = 1; i <= 16; i++) {
        Start[i + 1] = (UINT16)((Start[i] + mLenCnt[i]) << 1);
    }
    for (i = 0; i < n; i++) {
        Code[i] = Start[Len[i]]++;
    }
}

```

```

STATIC
INT32
MakeTree (
    IN  INT32  NParm,
    IN  UINT16 FreqParm[],
    OUT UINT8  LenParm[],
    OUT UINT16 CodeParm[]
)
/*++

```

Routine Description:

Generates Huffman codes given a frequency distribution of symbols

Arguments:

NParm - number of symbols  
 FreqParm - frequency of each symbol  
 LenParm - code length for each symbol  
 CodeParm - code for each symbol

Returns:

Root of the Huffman tree.

```

--*/
{
    INT32 i, j, k, Avail;

    //
    // make tree, calculate len[], return root
    //

    mN = NParm;
    mFreq = FreqParm;
    mLen = LenParm;
    Avail = mN;
    mHeapSize = 0;
    mHeap[1] = 0;
    for (i = 0; i < mN; i++) {
        mLen[i] = 0;
        if (mFreq[i]) {
            mHeap[++mHeapSize] = (INT16)i;
        }
    }
    if (mHeapSize < 2) {
        CodeParm[mHeap[1]] = 0;
        return mHeap[1];
    }
    for (i = mHeapSize / 2; i >= 1; i--) {

        //
        // make priority queue
        //
        DownHeap(i);
    }
    mSortPtr = CodeParm;
    do {
        i = mHeap[1];

```

```

    if (i < mN) {
        *mSortPtr++ = (UINT16)i;
    }
    mHeap[1] = mHeap[mHeapSize--];
    DownHeap(1);
    j = mHeap[1];
    if (j < mN) {
        *mSortPtr++ = (UINT16)j;
    }
    k = Avail++;
    mFreq[k] = (UINT16)(mFreq[i] + mFreq[j]);
    mHeap[1] = (INT16)k;
    DownHeap(1);
    mLeft[k] = (UINT16)i;
    mRight[k] = (UINT16)j;
} while (mHeapSize > 1);

mSortPtr = CodeParm;
MakeLen(k);
MakeCode(NParm, LenParm, CodeParm);

//
// return root
//
return k;
}

```

# Appendix I

## Decompression Source Code

---

```
/**++
Copyright (c) 2001-2002 Intel Corporation

Module Name:

    Decompress.c

Abstract:

    Decompressor.

--*/

#include "EfiCommon.h"

#define BITBUFSIZ      16
#define WNDBIT        13
#define WNDISZ        (1U << WNDBIT)
#define MAXMATCH      256
#define THRESHOLD     3
#define CODE_BIT      16
#define UINT8_MAX     0xff
#define BAD_TABLE     -1

//
// C: Char&Len Set; P: Position Set; T: exTra Set
//

#define NC              (0xff + MAXMATCH + 2 - THRESHOLD)
#define CBIT           9
#define NP              (WNDBIT + 1)
#define NT              (CODE_BIT + 3)
#define PBIT           4
#define TBIT           5
#if NT > NP
    #define NPT        NT
#else
    #define NPT        NP
#endif

typedef struct {
    UINT8      *mSrcBase;    //Starting address of compressed data
    UINT8      *mDstBase;    //Starting address of decompressed data

    UINT16     mBytesRemain;
    UINT16     mBitCount;
    UINT16     mBitBuf;
    UINT16     mSubBitBuf;
    UINT16     mBufSiz;
}
```

```

UINT16      mBlockSize;
UINT32      mDataIdx;
UINT32      mCompSize;
UINT32      mOrigSize;
UINT32      mOutBuf;
UINT32      mInBuf;

UINT16      mBadTableFlag;

UINT8       mBuffer[WNDSIZ];
UINT16      mLeft[2 * NC - 1];
UINT16      mRight[2 * NC - 1];
UINT32      mBuf;
UINT8       mCLen[NC];
UINT8       mPTLen[NPT];
UINT16      mCTable[4096];
UINT16      mPTTable[256];
} SCRATCH_DATA;

```

```

//
// Function Prototypes
//

```

```

STATIC
VOID
FillBuf (
    IN  SCRATCH_DATA  *Sd,
    IN  UINT16        NumOfBits
);

```

```

STATIC
VOID
Decode (
    SCRATCH_DATA  *Sd,
    UINT16        NumOfBytes
);

```

```

//
// Functions
//

```

```

EFI_STATUS
EFIAPI
GetInfo (
    IN      EFI_DECOMPRESS_PROTOCOL  *This,
    IN      VOID                     *Source,
    IN      UINT32                    SrcSize,
    OUT     UINT32                    *DstSize,
    OUT     UINT32                    *ScratchSize
)
/+++

```

Routine Description:

The implementation of `EFI_DECOMPRESS_PROTOCOL.GetInfo()`.

Arguments:

This - Protocol instance pointer.  
Source - The source buffer containing the compressed data.  
SrcSize - The size of source buffer  
DstSize - The size of destination buffer.  
ScratchSize - The size of scratch buffer.

Returns:

EFI\_SUCCESS - The size of destination buffer and the size of  
scratch buffer are successull retrieved.  
EFI\_INVALID\_PARAMETER - The source data is corrupted

```
--*/  
{  
    UINT8 *Src;  
  
    *ScratchSize = sizeof (SCRATCH_DATA);  
  
    Src = Source;  
    if (SrcSize < 8) {  
        return EFI_INVALID_PARAMETER;  
    }  
  
    *DstSize = Src[4] + (Src[5] << 8) + (Src[6] << 16) + (Src[7] << 24);  
    return EFI_SUCCESS;  
}
```

```
EFI_STATUS  
EFIAPI  
Decompress (  
    IN      EFI_DECOMPRESS_PROTOCOL *This,  
    IN      VOID *Source,  
    IN      UINT32 SrcSize,  
    IN OUT  VOID *Destination,  
    IN      UINT32 DstSize,  
    IN OUT  VOID *Scratch,  
    IN      UINT32 ScratchSize  
)  
/*++
```

Routine Description:

The implementation of EFI\_DECOMPRESS\_PROTOCOL.Decompress().

Arguments:

This - The protocol instance.  
Source - The source buffer containing the compressed data.  
SrcSize - The size of the source buffer  
Destination - The destination buffer to store the decompressed data  
DstSize - The size of the destination buffer.  
Scratch - The buffer used internally by the decompress routine. This  
buffer is needed to store intermediate data.  
ScratchSize - The size of scratch buffer.

Returns:

```
EFI_SUCCESS          - Decompression is successful
EFI_INVALID_PARAMETER - The source data is corrupted

--*/
{
    UINT32      Index;
    UINT16      Count;
    UINT32      CompSize;
    UINT32      OrigSize;
    UINT8       *Dst1;
    EFI_STATUS   Status;
    SCRATCH_DATA *Sd;
    UINT8       *Src;
    UINT8       *Dst;

    Status = EFI_SUCCESS;
    Src = Source;
    Dst = Destination;
    Dst1 = Dst;

    if (ScratchSize < sizeof (SCRATCH_DATA)) {
        return EFI_INVALID_PARAMETER;
    }

    Sd = (SCRATCH_DATA *)Scratch;

    if (SrcSize < 8) {
        return EFI_INVALID_PARAMETER;
    }

    CompSize = Src[0] + (Src[1] << 8) + (Src[2] << 16) + (Src[3] << 24);
    OrigSize = Src[4] + (Src[5] << 8) + (Src[6] << 16) + (Src[7] << 24);

    if (SrcSize < CompSize + 8) {
        return EFI_INVALID_PARAMETER;
    }

    Src = Src + 8;

    for (Index = 0; Index < sizeof(SCRATCH_DATA); Index++) {
        ((UINT8*)Sd)[Index] = 0;
    }

    Sd->mBytesRemain = (UINT16)(-1);
    Sd->mSrcBase = Src;
    Sd->mDstBase = Dst;
    Sd->mCompSize = CompSize;
    Sd->mOrigSize = OrigSize;

    //
    // Fill the first two bytes
    //
    FillBuf(Sd, BITBUFSIZ);

    while (Sd->mOrigSize > 0) {

        Count = (UINT16) (WNDSIZ < Sd->mOrigSize? WNDSIZ: Sd->mOrigSize);
        Decode (Sd, Count);
    }
}
```



```

    if (Sd->mBadTableFlag != 0) {
        //
        // Something wrong with the source
        //
        return EFI_INVALID_PARAMETER;
    }

    for (Index = 0; Index < Count; Index ++) {
        if (Dst1 < Dst + DstSize) {
            *Dst1++ = Sd->mBuffer[Index];
        } else {
            return EFI_INVALID_PARAMETER;
        }
    }

    Sd->mOrigSize -= Count;
}

if (Sd->mBadTableFlag != 0) {
    Status = EFI_INVALID_PARAMETER;
} else {
    Status = EFI_SUCCESS;
}

return Status;
}

STATIC
VOID
FillBuf (
    IN  SCRATCH_DATA  *Sd,
    IN  UINT16        NumOfBits
)
/**+

Routine Description:

    Shift mBitBuf NumOfBits left.  Read in NumOfBits of bits from source.

Arguments:

    Sd          - The global scratch data
    NumOfBit    - The number of bits to shift and read.

Returns: (VOID)

--*/
{
    Sd->mBitBuf = (UINT16)(Sd->mBitBuf << NumOfBits);

    while (NumOfBits > Sd->mBitCount) {

        Sd->mBitBuf |= (UINT16)(Sd->mSubBitBuf <<
            (NumOfBits = (UINT16)(NumOfBits - Sd->mBitCount)));

        if (Sd->mCompSize > 0) {

```

```

        //
        // Get 1 byte into SubBitBuf
        //
        Sd->mCompSize --;
        Sd->mSubBitBuf = 0;
        Sd->mSubBitBuf = Sd->mSrcBase[Sd->mInBuf ++];
        Sd->mBitCount = 8;

    } else {

        Sd->mSubBitBuf = 0;
        Sd->mBitCount = 8;

    }
}

Sd->mBitCount = (UINT16)(Sd->mBitCount - NumOfBits);
Sd->mBitBuf |= Sd->mSubBitBuf >> Sd->mBitCount;
}

```

```

STATIC
UINT16
GetBits(
    IN SCRATCH_DATA *Sd,
    IN UINT16 NumOfBits
)
/**+

```

Routine Description:

Get NumOfBits of bits out from mBitBuf. Fill mBitBuf with subsequent NumOfBits of bits from source. Returns NumOfBits of bits that are popped out.

Arguments:

Sd                   - The global scratch data.  
 NumOfBits           - The number of bits to pop and read.

Returns:

The bits that are popped out.

```

--*/
{
    UINT16 OutBits;

    OutBits = (UINT16)(Sd->mBitBuf >> (BITBUFSIZ - NumOfBits));

    FillBuf (Sd, NumOfBits);

    return OutBits;
}

```

```

STATIC
UINT16
MakeTable (
    IN  SCRATCH_DATA  *Sd,
    IN  UINT16        NumOfChar,
    IN  UINT8         *BitLen,
    IN  UINT16        TableBits,
    OUT UINT16        *Table
)
/*++

```

Routine Description:

Creates Huffman Code mapping table according to code length array.

Arguments:

Sd - The global scratch data  
 NumOfChar - Number of symbols in the symbol set  
 BitLen - Code length array  
 TableBits - The width of the mapping table  
 Table - The table

Returns:

0 - OK.  
 BAD\_TABLE - The table is corrupted.

```

--*/
{
    UINT16  Count[17];
    UINT16  Weight[17];
    UINT16  Start[18];
    UINT16  *p;
    UINT16  k;
    UINT16  i;
    UINT16  Len;
    UINT16  Char;
    UINT16  JuBits;
    UINT16  Avail;
    UINT16  NextCode;
    UINT16  Mask;

    for (i = 1; i <= 16; i ++) {
        Count[i] = 0;
    }

    for (i = 0; i < NumOfChar; i++) {
        Count[BitLen[i]]++;
    }

    Start[1] = 0;

    for (i = 1; i <= 16; i ++) {
        Start[i + 1] = (UINT16)(Start[i] + (Count[i] << (16 - i)));
    }
}

```

```

if (Start[17] != 0) { /*(1U << 16)*/
    return (UINT16)BAD_TABLE;
}

JuBits = (UINT16)(16 - TableBits);

for (i = 1; i <= TableBits; i++) {
    Start[i] >>= JuBits;
    Weight[i] = (UINT16)(1U << (TableBits - i));
}

while (i <= 16) {
    Weight[i++] = (UINT16)(1U << (16 - i));
}

i = (UINT16)(Start[TableBits + 1] >> JuBits);

if (i != 0) {
    k = (UINT16)(1U << TableBits);
    while (i != k) {
        Table[i++] = 0;
    }
}

Avail = NumOfChar;
Mask = (UINT16)(1U << (15 - TableBits));

for (Char = 0; Char < NumOfChar; Char++) {

    Len = BitLen[Char];
    if (Len == 0) {
        continue;
    }

    NextCode = (UINT16)(Start[Len] + Weight[Len]);

    if (Len <= TableBits) {

        for (i = Start[Len]; i < NextCode; i++) {
            Table[i] = Char;
        }

    } else {

        k = Start[Len];
        p = &Table[k >> JuBits];
        i = (UINT16)(Len - TableBits);

        while (i != 0) {
            if (*p == 0) {
                Sd->mRight[Avail] = Sd->mLeft[Avail] = 0;
                *p = Avail++;
            }

            if (k & Mask) {
                p = &Sd->mRight[*p];
            } else {
                p = &Sd->mLeft[*p];
            }
        }
    }
}

```

```

        k <<= 1;
        i --;
    }

    *p = Char;

}

Start[Len] = NextCode;
}

//
// Succeeds
//
return 0;
}

```

```

STATIC
UINT16
DecodeP (
    IN SCRATCH_DATA *Sd
)
/*++

```

Routine description:

Decodes a position value.

Arguments:

Sd - the global scratch data

Returns:

The position value decoded.

```

--*/
{
    UINT16 Val;
    UINT16 Mask;

    Val = Sd->mPTable[Sd->mBitBuf >> (BITBUFSIZ - 8)];

    if (Val >= NP) {
        Mask = 1U << (BITBUFSIZ - 1 - 8);

        do {

            if (Sd->mBitBuf & Mask) {
                Val = Sd->mRight[Val];
            } else {
                Val = Sd->mLeft[Val];
            }

            Mask >>= 1;
        } while (Val >= NP);
    }
}

```

```

//
// Advance what we have read
//
FillBuf (Sd, Sd->mPTLen[Val]);

if (Val) {
    Val = (UINT16)((1U << (Val - 1)) + GetBits (Sd, (UINT16)(Val - 1)));
}

return Val;
}

```

```

STATIC
UINT16
ReadPTLen (
    IN SCRATCH_DATA *Sd,
    IN UINT16 nn,
    IN UINT16 nbit,
    IN UINT16 Special
)
/*++

```

Routine Description:

Reads code lengths for the Extra Set or the Position Set

Arguments:

Sd - The global scratch data  
nn - Number of symbols  
nbit - Number of bits needed to represent nn  
Special - The special symbol that needs to be taken care of

Returns:

0 - OK.  
BAD\_TABLE - Table is corrupted.

```

--*/
{
    UINT16 n;
    UINT16 c;
    UINT16 i;
    UINT16 Mask;

    n = GetBits (Sd, nbit);

    if (n == 0) {
        c = GetBits (Sd, nbit);

        for ( i = 0; i < 256; i ++ ) {
            Sd->mPTTable[i] = c;
        }

        for ( i = 0; i < nn; i++) {
            Sd->mPTLen[i] = 0;
        }
    }
}

```

```

    return 0;
}

i = 0;

while (i < n) {

    c = (UINT16)(Sd->mBitBuf >> (BITBUFSIZ - 3));

    if (c == 7) {
        Mask = 1U << (BITBUFSIZ - 1 - 3);
        while (Mask & Sd->mBitBuf) {
            Mask >>= 1;
            c += 1;
        }
    }

    FillBuf (Sd, (UINT16)((c < 7) ? 3 : c - 3));

    Sd->mPTLen [i++] = (UINT8)c;

    if (i == Special) {
        c = GetBits (Sd, 2);
        while ((INT16)(--c) >= 0) {
            Sd->mPTLen[i++] = 0;
        }
    }
}

while (i < nn) {
    Sd->mPTLen [i++] = 0;
}

return ( MakeTable (Sd, nn, Sd->mPTLen, 8, Sd->mPTTable) );
}

```

```

STATIC
VOID
ReadCLen (
    SCRATCH_DATA *Sd
)
/*++

```

Routine Description:

Reads code lengths for Char&Len Set.

Arguments:

Sd - the global scratch data

Returns: (VOID)

```

--*/
{
    UINT16    n;
    UINT16    c;
    UINT16    i;
    UINT16    Mask;

```

```

n = GetBits(Sd, CBIT);

if (n == 0) {
    c = GetBits(Sd, CBIT);

    for (i = 0; i < NC; i ++) {
        Sd->mCLen[i] = 0;
    }

    for (i = 0; i < 4096; i ++) {
        Sd->mCTable[i] = c;
    }

    return;
}

i = 0;
while (i < n) {

    c = Sd->mPTTable[Sd->mBitBuf >> (BITBUFSIZ - 8)];
    if (c >= NT) {
        Mask = 1U << (BITBUFSIZ - 1 - 8);

        do {

            if (Mask & Sd->mBitBuf) {
                c = Sd->mRight [c];
            } else {
                c = Sd->mLeft [c];
            }

            Mask >>= 1;

        }while (c >= NT);
    }

    //
    // Advance what we have read
    //
    FillBuf (Sd, Sd->mPTLen[c]);

    if (c <= 2) {

        if (c == 0) {
            c = 1;
        } else if (c == 1) {
            c = (UINT16)(GetBits (Sd, 4) + 3);
        } else if (c == 2) {
            c = (UINT16)(GetBits (Sd, CBIT) + 20);
        }

        while ((INT16)(--c) >= 0) {
            Sd->mCLen[i++] = 0;
        }

    } else {

```



```

        Sd->mCLen[i++] = (UINT8)(c - 2);
    }
}

while (i < NC) {
    Sd->mCLen[i++] = 0;
}

MakeTable (Sd, NC, Sd->mCLen, 12, Sd->mCTable);

return;
}

```

```

STATIC
UINT16
DecodeC (
    SCRATCH_DATA *Sd
)
/*++

```

Routine Description:

Decode a character/length value.

Arguments:

Sd - The global scratch data.

Returns:

The value decoded.

```

--*/
{
    UINT16    j;
    UINT16    Mask;

    if (Sd->mBlockSize == 0) {
        //
        // Starting a new block
        //

        Sd->mBlockSize = GetBits(Sd, 16);
        Sd->mBadTableFlag = ReadPTLen (Sd, NT, TBIT, 3);
        if (Sd->mBadTableFlag != 0) {
            return 0;
        }

        ReadCLen (Sd);

        Sd->mBadTableFlag = ReadPTLen (Sd, NP, PBIT, (UINT16)(-1));
        if (Sd->mBadTableFlag != 0) {
            return 0;
        }
    }
}

```

```

Sd->mBlockSize --;
j = Sd->mCTable[Sd->mBitBuf >> (BITBUFSIZ - 12)];

if (j >= NC) {
    Mask = 1U << (BITBUFSIZ - 1 - 12);

    do {
        if (Sd->mBitBuf & Mask) {
            j = Sd->mRight[j];
        } else {
            j = Sd->mLeft[j];
        }

        Mask >>= 1;
    } while (j >= NC);
}

//
// Advance what we have read
//
FillBuf(Sd, Sd->mCLen[j]);

return j;
}

```

```

STATIC
VOID
Decode (
    SCRATCH_DATA *Sd,
    UINT16      NumOfBytes
)
/*++

```

Routine Description:

Decode NumOfBytes and put the resulting data at starting point of mBuffer.  
The buffer is circular.

Arguments:

Sd                   - The global scratch data  
NumOfBytes         - Number of bytes to decode

Returns: (VOID)

```

--*/
{
    UINT16      di;
    UINT16      r;
    UINT16      c;

    r = 0;
    di = 0;

    Sd->mBytesRemain --;
    while ((INT16)(Sd->mBytesRemain) >= 0) {
        Sd->mBuffer[di++] = Sd->mBuffer[Sd->mDataIdx++];
    }
}

```

```

    if (Sd->mDataIdx >= WNDSIZ) {
        Sd->mDataIdx -= WNDSIZ;
    }

    r ++;
    if (r >= NumOfBytes) {
        return;
    }
    Sd->mBytesRemain --;
}

for (;;) {
    c = DecodeC (Sd);
    if (Sd->mBadTableFlag != 0) {
        return;
    }

    if (c < 256) {

        //
        // Process an Original character
        //

        Sd->mBuffer[di++] = (UINT8)c;
        r ++;
        if (di >= WNDSIZ) {
            return;
        }

    } else {

        //
        // Process a Pointer
        //

        c = (UINT16)(c - (UINT8_MAX + 1 - THRESHOLD));
        Sd->mBytesRemain = c;

        Sd->mDataIdx = (r - DecodeP(Sd) - 1) & (WNDSIZ - 1); //Make circular

        di = r;

        Sd->mBytesRemain --;
        while ((INT16)(Sd->mBytesRemain) >= 0) {
            Sd->mBuffer[di++] = Sd->mBuffer[Sd->mDataIdx++];
            if (Sd->mDataIdx >= WNDSIZ) {
                Sd->mDataIdx -= WNDSIZ;
            }

            r ++;
            if (di >= WNDSIZ) {
                return;
            }
            Sd->mBytesRemain --;
        }
    }
}

return;
}

```



# Appendix J

## EFI Byte Code Virtual Machine Opcode List

---

The following table lists the opcodes for EBC instructions. Note that opcodes only require 6 bits of the opcode byte of EBC instructions. The other two bits are used for other encodings that are dependent on the particular instruction.

**Table 183. EBC Virtual Machine Opcode Summary**

Opcode	Description
0x00	<a href="#">BREAK</a> [break code]
0x01	<a href="#">JMP</a> <sub>32</sub> {cslcc} {@}R <sub>1</sub> {Immed32 Index32} <a href="#">JMP</a> <sub>64</sub> {cslcc} Immed64
0x02	<a href="#">JMP</a> <sub>8</sub> {cslcc} Immed8
0x03	<a href="#">CALL</a> <sub>32</sub> {EX}{a} {@}R <sub>1</sub> {Immed32 Index32} <a href="#">CALL</a> <sub>64</sub> {EX}{a} Immed64
0x04	<a href="#">RET</a>
0x05	<a href="#">CMP</a> <sub>[32 64]</sub> eq R <sub>1</sub> {@}R <sub>2</sub> {Index16 Immed16}
0x06	<a href="#">CMP</a> <sub>[32 64]</sub> lte R <sub>1</sub> {@}R <sub>2</sub> {Index16 Immed16}
0x07	<a href="#">CMP</a> <sub>[32 64]</sub> gte R <sub>1</sub> {@}R <sub>2</sub> {Index16 Immed16}
0x08	<a href="#">CMP</a> <sub>[32 64]</sub> ulte R <sub>1</sub> {@}R <sub>2</sub> {Index16 Immed16}
0x09	<a href="#">CMP</a> <sub>[32 64]</sub> ugte R <sub>1</sub> {@}R <sub>2</sub> {Index16 Immed16}
0x0A	<a href="#">NOT</a> <sub>[32 64]</sub> {@}R <sub>1</sub> , {@}R <sub>2</sub> {Index16 Immed16}
0x0B	<a href="#">NEG</a> <sub>[32 64]</sub> {@}R <sub>1</sub> , {@}R <sub>2</sub> {Index16 Immed16}
0x0C	<a href="#">ADD</a> <sub>[32 64]</sub> {@}R <sub>1</sub> , {@}R <sub>2</sub> {Index16 Immed16}
0x0D	<a href="#">SUB</a> <sub>[32 64]</sub> {@}R <sub>1</sub> , {@}R <sub>2</sub> {Index16 Immed16}
0x0E	<a href="#">MUL</a> <sub>[32 64]</sub> {@}R <sub>1</sub> , {@}R <sub>2</sub> {Index16 Immed16}
0x0F	<a href="#">MULU</a> <sub>[32 64]</sub> {@}R <sub>1</sub> , {@}R <sub>2</sub> {Index16 Immed16}
0x10	<a href="#">DIV</a> <sub>[32 64]</sub> {@}R <sub>1</sub> , {@}R <sub>2</sub> {Index16 Immed16}
0x11	<a href="#">DIVU</a> <sub>[32 64]</sub> {@}R <sub>1</sub> , {@}R <sub>2</sub> {Index16 Immed16}
0x12	<a href="#">MOD</a> <sub>[32 64]</sub> {@}R <sub>1</sub> , {@}R <sub>2</sub> {Index16 Immed16}
0x13	<a href="#">MODU</a> <sub>[32 64]</sub> {@}R <sub>1</sub> , {@}R <sub>2</sub> {Index16 Immed16}
0x14	<a href="#">AND</a> <sub>[32 64]</sub> {@}R <sub>1</sub> , {@}R <sub>2</sub> {Index16 Immed16}
0x15	<a href="#">OR</a> <sub>[32 64]</sub> {@}R <sub>1</sub> , {@}R <sub>2</sub> {Index16 Immed16}
0x16	<a href="#">XOR</a> <sub>[32 64]</sub> {@}R <sub>1</sub> , {@}R <sub>2</sub> {Index16 Immed16}
0x17	<a href="#">SHL</a> <sub>[32 64]</sub> {@}R <sub>1</sub> , {@}R <sub>2</sub> {Index16 Immed16}
0x18	<a href="#">SHR</a> <sub>[32 64]</sub> {@}R <sub>1</sub> , {@}R <sub>2</sub> {Index16 Immed16}
0x19	<a href="#">ASHR</a> <sub>[32 64]</sub> {@}R <sub>1</sub> , {@}R <sub>2</sub> {Index16 Immed16}
0x1A	<a href="#">EXTNDB</a> <sub>[32 64]</sub> {@}R <sub>1</sub> , {@}R <sub>2</sub> {Index16 Immed16}
0x1B	<a href="#">EXTNDW</a> <sub>[32 64]</sub> {@}R <sub>1</sub> , {@}R <sub>2</sub> {Index16 Immed16}
0x1C	<a href="#">EXTNDD</a> <sub>[32 64]</sub> {@}R <sub>1</sub> , {@}R <sub>2</sub> {Index16 Immed16}
0x1D	<a href="#">MOV</a> <sub>bw</sub> {@}R <sub>1</sub> {Index16}, {@}R <sub>2</sub> {Index16}
0x1E	<a href="#">MOV</a> <sub>ww</sub> {@}R <sub>1</sub> {Index16}, {@}R <sub>2</sub> {Index16}
0x1F	<a href="#">MOV</a> <sub>dw</sub> {@}R <sub>1</sub> {Index16}, {@}R <sub>2</sub> {Index16}
0x20	<a href="#">MOV</a> <sub>qw</sub> {@}R <sub>1</sub> {Index16}, {@}R <sub>2</sub> {Index16}

Opcode	Description
0x21	<a href="#">MOVB</a> d {@}R <sub>1</sub> , {Index32}, {@}R <sub>2</sub> , {Index32}
0x22	<a href="#">MOV</a> wd {@}R <sub>1</sub> , {Index32}, {@}R <sub>2</sub> , {Index32}
0x23	<a href="#">MOV</a> dd {@}R <sub>1</sub> , {Index32}, {@}R <sub>2</sub> , {Index32}
0x24	<a href="#">MOV</a> qd {@}R <sub>1</sub> , {Index32}, {@}R <sub>2</sub> , {Index32}
0x25	<a href="#">MOV</a> snw {@}R <sub>1</sub> , {Index16}, {@}R <sub>2</sub> , {Index16 Immed16}
0x26	<a href="#">MOV</a> snd {@}R <sub>1</sub> , {Index32}, {@}R <sub>2</sub> , {Index32 Immed32}
0x27	Reserved
0x28	<a href="#">MOV</a> qq {@}R <sub>1</sub> , {Index64}, {@}R <sub>2</sub> , {Index64}
0x29	<a href="#">LOADSP</a> [Flags], R <sub>2</sub>
0x2A	<a href="#">STORESP</a> R <sub>1</sub> , [PIFlags]
0x2B	<a href="#">PUSH</a> [32 64] {@}R <sub>1</sub> , {Index16 Immed16}
0x2C	<a href="#">POP</a> [32 64] {@}R <sub>1</sub> , {Index16 Immed16}
0x2D	<a href="#">CMP</a> I[32 64][wld]eq {@}R <sub>1</sub> , {Index16}, Immed16 Immed32
0x2E	<a href="#">CMP</a> I[32 64][wld]lte {@}R <sub>1</sub> , {Index16}, Immed16 Immed32
0x2F	<a href="#">CMP</a> I[32 64][wld]gte {@}R <sub>1</sub> , {Index16}, Immed16 Immed32
0x30	<a href="#">CMP</a> I[32 64][wld]ulte {@}R <sub>1</sub> , {Index16}, Immed16 Immed32
0x31	<a href="#">CMP</a> I[32 64][wld]ugte {@}R <sub>1</sub> , {Index16}, Immed16 Immed32
0x32	<a href="#">MOV</a> nw {@}R <sub>1</sub> , {Index16}, {@}R <sub>2</sub> , {Index16}
0x33	<a href="#">MOV</a> nd {@}R <sub>1</sub> , {Index32}, {@}R <sub>2</sub> , {Index32}
0x34	Reserved
0x35	<a href="#">PUSH</a> n {@}R <sub>1</sub> , {Index16 Immed16}
0x36	<a href="#">POP</a> n {@}R <sub>1</sub> , {Index16 Immed16}
0x37	<a href="#">MOV</a> I[blwldlq][wldlq] {@}R <sub>1</sub> , {Index16}, Immed16 32 64
0x38	<a href="#">MOV</a> In[wldlq] {@}R <sub>1</sub> , {Index16}, Index16 32 64
0x39	<a href="#">MOV</a> REL[wldlq] {@}R <sub>1</sub> , {Index16}, Immed16 32 64
0x3A	Reserved
0x3B	Reserved
0x3C	Reserved
0x3D	Reserved
0x3E	Reserved
0x3F	Reserved

# Appendix K

## Alphabetic Function Lists

---

This appendix contains two tables that list all EFI functions alphabetically. Table 184 lists the functions in pure alphabetic order. Functions that have the same name can be distinguished by the associated service or protocol (column 2). For example, there are two “Flush” functions, one from the Device I/O Protocol and one from the File System Protocol. Table 185 orders the functions alphabetically within a service or protocol. That is, column one names the service or protocol, and column two lists the functions in the service or protocol.

**Table 184. Functions Listed in Alphabetic Order**

Function Name	Service or Protocol	Subservice	Function Description
<a href="#">AllocateBuffer</a>	<a href="#">Device I/O Protocol</a>		Allocates pages that are suitable for a common buffer mapping.
<a href="#">AllocateBuffer</a>	<a href="#">PCI I/O Protocol</a>		Allocates pages that are suitable for a common buffer mapping.
<a href="#">AllocateBuffer</a>	<a href="#">PCI Root Bridge I/O Protocol</a>		Allocates pages that are suitable for a common buffer mapping.
<a href="#">AllocatePages</a>	<a href="#">Boot Services</a>	<a href="#">Memory Allocation Services</a>	Allocates memory pages of a particular type.
<a href="#">AllocatePool</a>	<a href="#">Boot Services</a>	<a href="#">Memory Allocation Services</a>	Allocates pool of a particular type.
<a href="#">Arp</a>	<a href="#">PXE Base Code Protocol</a>		Uses the ARP protocol to resolve a MAC address.
<a href="#">AsyncInterruptTransfer</a>	<a href="#">USB2 Host Controller Protocol</a>		Submits an asynchronous interrupt transfer to an interrupt endpoint of a USB device.
<a href="#">AsyncIsochronousTransfer</a>	<a href="#">USB2 Host Controller Protocol</a>		Submits nonblocking USB isochronous transfer.
<a href="#">Attributes</a>	<a href="#">PCI I/O Protocol</a>		Performs an operation on the attributes that this PCI controller supports.
<a href="#">Blt</a>	<a href="#">Graphics Output Protocol</a>		Blt a rectangle of pixels on the graphics screen. Blt stands for BLock Transfer.
<a href="#">BuildDevicePath</a>	<a href="#">Extended SCSI Passthru Protocol</a>		Used to allocate and build a device path node for a SCSI device on a SCSI channel.
<a href="#">BulkTransfer</a>	<a href="#">USB2 Host Controller Protocol</a>		Submits a bulk transfer to a bulk endpoint of a USB device.
<a href="#">CalculateCrc32</a>	<a href="#">Boot Services</a>	<a href="#">Miscellaneous Services</a>	Computes and returns a 32-bit CRC for a data buffer.

Function Name	Service or Protocol	Subservice	Function Description
<a href="#">Callback</a>	<a href="#">PXE Base Code Callback Protocol</a>		Callback routine used by the PXE Base Code <a href="#">Dhcp()</a> , <a href="#">Discover()</a> , <a href="#">Mftp()</a> , <a href="#">UdpWrite()</a> , and <a href="#">Arp()</a> functions.
<a href="#">CheckEvent</a>	<a href="#">Boot Services</a>	<a href="#">Event Services</a>	Checks whether an event is in the signaled state.
<a href="#">ClearRootHubPortFeature</a>	<a href="#">USB2 Host Controller Protocol</a>		Clears the feature for the specified root hub port.
<a href="#">ClearScreen</a>	<a href="#">Simple Text Output Protocol</a>		Clears the screen with the currently set background color.
<a href="#">Close</a>	<a href="#">File System Protocol</a>		Closes the current file handle.
<a href="#">CloseEvent</a>	<a href="#">Boot Services</a>	<a href="#">Event Services</a>	Closes and frees an event structure.
<a href="#">CloseProtocol</a>	<a href="#">Boot Services</a>	<a href="#">Protocol Handler Services</a>	Removes elements from the list of agents consuming a protocol interface.
<a href="#">Configuration</a>	<a href="#">PCI Root Bridge I/O Protocol</a>		Gets the current resource settings for this PCI root bridge
<a href="#">ConnectController</a>	<a href="#">Boot Services</a>	<a href="#">Protocol Handler Services</a>	Uses a set of precedence rules to find the best set of drivers to manage a controller.
<a href="#">ControlTransfer</a>	<a href="#">USB2 Host Controller Protocol</a>		Submits a control transfer to a target USB device.
<a href="#">ConvertPointer</a>	<a href="#">Runtime Services</a>	<a href="#">Virtual Memory Services</a>	Converts internal pointers when switching to virtual addressing.
<a href="#">CopyMem</a>	<a href="#">Boot Services</a>	<a href="#">Miscellaneous Services</a>	Copies the contents of one buffer to another buffer.
<a href="#">CopyMem</a>	<a href="#">PCI I/O Protocol</a>		Allows one region of PCI memory space to be copied to another region of PCI memory space
<a href="#">CopyMem</a>	<a href="#">PCI Root Bridge I/O Protocol</a>		Allows one region of PCI root bridge memory space to be copied to another region of PCI root bridge memory space.
<a href="#">CreateEvent</a>	<a href="#">Boot Services</a>	<a href="#">Event Services</a>	Creates a general-purpose event structure.
<a href="#">CreateEventEx</a>	<a href="#">Boot Services</a>	<a href="#">Event Services</a>	Create an event structure as part of an event group.
<a href="#">CreateThunk</a>	<a href="#">EFI Byte Code Protocol</a>		Creates a thunk for an EBC image entry point or protocol service, and returns a pointer to the thunk.



Function Name	Service or Protocol	Subservice	Function Description
<a href="#">Decompress</a>	<a href="#">Decompress Protocol</a>		Decompresses a compressed source buffer into an uncompressed destination buffer.
<a href="#">Delete</a>	<a href="#">File System Protocol</a>		Deletes a file.
<a href="#">Dhcp</a>	<a href="#">PXE Base Code Protocol</a>		Attempts to complete a DHCPv4 D.O.R.A. (discover / offer / request / acknowledge) or DHCPv6 S.A.R.R (solicit / advertise / request / reply) sequence.
<a href="#">DisconnectController</a>	<a href="#">Boot Services</a>	<a href="#">Protocol Handler Services</a>	Informs a set of drivers to stop managing a controller.
<a href="#">Discover</a>	<a href="#">PXE Base Code Protocol</a>		Attempts to complete the PXE Boot Server and/or boot image discovery sequence.
<a href="#">DriverLoaded</a>	<a href="#">EFI Driver Override Protocol</a>		Used to associate a driver image handle with a device path returned on a prior call.
<a href="#">EFI_IMAGE_ENTRY_POINT</a>	<a href="#">Boot Services</a>	<a href="#">Image Services</a>	Prototype of an EFI Image's entry point.
<a href="#">EFI_PXE_BASE_CODE_CALLBACK</a>	<a href="#">PXE Base Code Protocol</a>		Callback function that is invoked when the PXE Base Code Protocol is waiting for an event.
<a href="#">EnableCursor</a>	<a href="#">Simple Text Output Protocol</a>		Turns the visibility of the cursor on/off.
<a href="#">Exit</a>	<a href="#">Boot Services</a>	<a href="#">Image Services</a>	Exits the image's entry point.
<a href="#">ExitBootServices</a>	<a href="#">Boot Services</a>	<a href="#">Image Services</a>	Terminates boot services.
<a href="#">FatToStr</a>	<a href="#">Unicode Collation Protocol</a>		Converts an 8.3 FAT file name in an OEM character set to a Null-terminated Unicode string.
<a href="#">Fill Header</a>	<a href="#">UNDI Commands</a>		This command is used to fill the media header(s) in transmit packet(s).
<a href="#">Flush</a>	<a href="#">Device I/O Protocol</a>		Flushes any posted write data to the device.
<a href="#">Flush</a>	<a href="#">File System Protocol</a>		Flushes all modified data associated with the file to the device.
<a href="#">Flush</a>	<a href="#">PCI I/O Protocol</a>		Flushes all PCI posted write transactions to system memory.
<a href="#">Flush</a>	<a href="#">PCI Root Bridge I/O Protocol</a>		Flushes all PCI posted write transactions to system memory.
<a href="#">FlushBlocks</a>	<a href="#">Block I/O Protocol</a>		Flushes any cached blocks.

Function Name	Service or Protocol	Subservice	Function Description
<a href="#">ForceDefaults</a>	<a href="#">EFI Driver Configuration Protocol</a>		Forces a driver to set the default configuration options for a controller.
<a href="#">Free</a>	<a href="#">Boot Integrity Services Protocol</a>		Frees memory structures allocated and returned by other functions in the <b>EFI BIS</b> protocol.
<a href="#">FreeBuffer</a>	<a href="#">Device I/O Protocol</a>		Frees pages that were allocated with <b>AllocateBuffer ()</b> .
<a href="#">FreeBuffer</a>	<a href="#">PCI I/O Protocol</a>		Frees pages that were allocated with <b>AllocateBuffer ()</b> .
<a href="#">FreeBuffer</a>	<a href="#">PCI Root Bridge I/O Protocol</a>		Free pages that were allocated with <b>AllocateBuffer ()</b> .
<a href="#">FreePages</a>	<a href="#">Boot Services</a>	<a href="#">Memory Allocation Services</a>	Frees memory pages.
<a href="#">FreePool</a>	<a href="#">Boot Services</a>	<a href="#">Memory Allocation Services</a>	Frees allocated pool.
<a href="#">Get Config Info</a>	<a href="#">UNDI Commands</a>		This command is used to retrieve configuration information about the NIC being controlled by the UNDI.
<a href="#">Get Init Info</a>	<a href="#">UNDI Commands</a>		This command is used to retrieve initialization information that is needed by drivers and applications to initialized UNDI.
<a href="#">Get State</a>	<a href="#">UNDI Commands</a>		This command is used to determine the operational state of the UNDI.
<a href="#">Get Status</a>	<a href="#">UNDI Commands</a>		This command returns the current interrupt status and/or the transmitted buffer addresses.
<a href="#">GetAttributes</a>	<a href="#">PCI Root Bridge I/O Protocol</a>		Gets the attributes that a PCI root bridge supports setting with <b>SetAttributes ()</b> , and the attributes that a PCI root bridge is currently using.
<a href="#">GetBarAttributes</a>	<a href="#">PCI I/O Protocol</a>		Gets the attributes that this PCI controller supports setting on a BAR using <b>SetBarAttributes ()</b> , and retrieves the list of resource descriptors for a BAR.

Function Name	Service or Protocol	Subservice	Function Description
<a href="#">GetBootObjectAuthorizationCertificate</a>	<a href="#">Boot Integrity Services Protocol</a>		Retrieves the current digital certificate (if any) used by the <b>EFI BIS</b> protocol as the source of authorization for verifying boot objects and altering configuration parameters
<a href="#">GetBootObjectAuthorizationCheckFlag</a>	<a href="#">Boot Integrity Services Protocol</a>		Retrieves the current setting of the authorization check flag that indicates whether or not authorization checks are required for boot objects.
<a href="#">GetBootObjectAuthorizationUpdateToken</a>	<a href="#">Boot Integrity Services Protocol</a>		Retrieves an uninterpreted token whose value gets included and signed in a subsequent request to alter the configuration parameters, to protect against attempts to “replay” such a request.
<a href="#">GetControl</a>	<a href="#">Serial I/O Protocol</a>		Reads the status of the control bits on a serial device.
<a href="#">GetControllerName</a>	<a href="#">EFI Component Name Protocol</a>		Retrieves a Unicode string that is the user readable name of the controller that is being managed by a UEFI driver.
<a href="#">GetDriver</a>	<a href="#">EFI Bus-Specific Driver Override Protocol</a>		Uses a bus-specific algorithm to retrieve a driver image handle for a controller.
<a href="#">GetDriver</a>	<a href="#">EFI Driver Override Protocol</a>		Retrieves the image handle of the platform override driver for a controller in the system.
<a href="#">GetDriverName</a>	<a href="#">EFI Component Name Protocol</a>		Retrieves a Unicode string that is the user readable name of the UEFI driver.
<a href="#">GetDriverPath</a>	<a href="#">EFI Driver Override Protocol</a>		Retrieves the device path of the platform override driver for a controller in the system.
<a href="#">GetInfo</a>	<a href="#">Decompress Protocol</a>		Given the compressed source buffer, this function retrieves the size of the uncompressed destination buffer and the size of the scratch buffer required to perform the decompression.
<a href="#">GetInfo</a>	<a href="#">File System Protocol</a>		Gets the requested file or volume information.
<a href="#">GetLocation</a>	<a href="#">PCI I/O Protocol</a>		Retrieves this PCI controller’s current PCI bus number, device number, and function number.

Function Name	Service or Protocol	Subservice	Function Description
<a href="#">GetMaximumProcessorIndex</a>	<a href="#">Debug Support Protocol</a>		Returns the maximum processor index value that may be used with <a href="#">RegisterPeriodicCallback()</a> and <a href="#">RegisterExceptionCallback()</a>
<a href="#">GetMemoryMap</a>	<a href="#">Boot Services</a>	<a href="#">Memory Allocation Services</a>	Returns the current boot services memory map and memory map key.
<a href="#">GetMode</a>	<a href="#">Graphics Output Protocol</a>		Return the current frame buffer geometry and display refresh rate.
<a href="#">GetNextDevice</a>	<a href="#">Extended SCSI Passthru Protocol</a>		Used to retrieve the list of legal Target IDs for the SCSI devices on a SCSI channel.
<a href="#">GetNextHighMonotonicCount</a>	<a href="#">Runtime Services</a>	<a href="#">Miscellaneous Services</a>	Returns the next high 32 bits of a platform's monotonic counter.
<a href="#">GetNextMonotonicCount</a>	<a href="#">Boot Services</a>	<a href="#">Miscellaneous Services</a>	Returns a monotonically increasing count for the platform.
<a href="#">GetNextVariableName</a>	<a href="#">Runtime Services</a>	<a href="#">Variable Services</a>	Enumerates the current variable names.
<a href="#">GetPosition</a>	<a href="#">File System Protocol</a>		Returns the current file position.
<a href="#">GetRootHubPortNumber</a>	<a href="#">USB2 Host Controller Protocol</a>		Retrieves the number of root hub ports that are produced by the USB host controller.
<a href="#">GetRootHubPortStatus</a>	<a href="#">USB2 Host Controller Protocol</a>		Retrieves the status of the specified root hub port.
<a href="#">GetSignatureInfo</a>	<a href="#">Boot Integrity Services Protocol</a>		Retrieves information about the digital signature algorithms supported and the identity of the installed authorization certificate, if any.
<a href="#">GetState</a>	<a href="#">Simple Pointer Protocol</a>		Retrieves the current state of a pointer device.
<a href="#">GetState</a>	<a href="#">USB2 Host Controller Protocol</a>		Retrieves the current state of the USB host controller.
<a href="#">GetStatus</a>	<a href="#">Simple Network Protocol</a>		Reads the current interrupt status and recycled transmit buffer status from the network interface.
<a href="#">GetTargetLun</a>	<a href="#">Extended SCSI Passthru Protocol</a>		Used to translate a device path node to a Target ID and LUN.
<a href="#">GetTime</a>	<a href="#">Runtime Services</a>	<a href="#">Time Services</a>	Returns the current time and date, and the time-keeping capabilities of the platform.
<a href="#">GetVariable</a>	<a href="#">Runtime Services</a>	<a href="#">Variable Services</a>	Returns the value of the specific variable.

Function Name	Service or Protocol	Subservice	Function Description
<a href="#">GetWakeupTime</a>	Runtime Services	Time Services	Returns the current wakeup alarm clock setting.
<a href="#">HandleProtocol</a>	<a href="#">Boot Services</a>	<a href="#">Protocol Handler Services</a>	Queries the list of protocol handlers on a device handle for the requested Protocol Interface.
<a href="#">Initialize</a>	<a href="#">Boot Integrity Services Protocol</a>		Initializes an application instance of the <b>EFI_BIS</b> protocol, returning a handle for the application instance.
<a href="#">Initialize</a>	<a href="#">Simple Network Protocol</a>		Resets the network adapter and allocates the transmit and receive buffers required by the network interface; also optionally allows space for additional transmit and receive buffers to be allocated
<a href="#">Initialize</a>	<a href="#">UNDI Commands</a>		This command resets the network adapter and initializes UNDI using the parameters supplied in the CPB.
<a href="#">InstallConfigurationTable</a>	<a href="#">Boot Services</a>	<a href="#">Miscellaneous Services</a>	Adds, updates, or removes a configuration table from the EFI System Table.
<a href="#">InstallMultipleProtocolInterfaces</a>	<a href="#">Boot Services</a>	<a href="#">Protocol Handler Services</a>	Installs one or more protocol interfaces onto a handle.
<a href="#">InstallProtocolInterface</a>	<a href="#">Boot Services</a>	<a href="#">Protocol Handler Services</a>	Adds a protocol interface to an existing or new device handle.
<a href="#">Interrupt Enables</a>	<a href="#">UNDI Commands</a>		The Interrupt Enables command can be used to read and/or change the current external interrupt enable settings.
<a href="#">InvalidateInstructionCache</a>	<a href="#">Debug Support Protocol</a>		Invalidate the instruction cache of the processor.
<a href="#">Io.Read</a>	<a href="#">Device I/O Protocol</a>		Reads from I/O ports on a bus.
<a href="#">Io.Read</a>	<a href="#">PCI I/O Protocol</a>		Allows BAR relative reads to PCI I/O space.
<a href="#">Io.Read</a>	<a href="#">PCI Root Bridge I/O Protocol</a>		Allows reads from I/O space.
<a href="#">Io.Write</a>	<a href="#">Device I/O Protocol</a>		Writes to I/O ports on a bus.
<a href="#">Io.Write</a>	<a href="#">PCI I/O Protocol</a>		Allows BAR relative writes to PCI I/O space.
<a href="#">Io.Write</a>	<a href="#">PCI Root Bridge I/O Protocol</a>		Allows writes to I/O space.

Function Name	Service or Protocol	Subservice	Function Description
<a href="#">IsochronousTransfer</a>	<a href="#">USB2 Host Controller Protocol</a>		Submits isochronous transfer to an isochronous endpoint of a USB device.
<a href="#">LoadFile</a>	<a href="#">Load File Protocol</a>		Causes the driver to load the requested file.
<a href="#">LoadImage</a>	<a href="#">Boot Services</a>	<a href="#">Image Services</a>	Function to dynamically load another EFI Image.
<a href="#">LocateDevicePath</a>	<a href="#">Boot Services</a>	<a href="#">Protocol Handler Services</a>	Locates the closest handle that supports the specified protocol on the specified device path.
<a href="#">LocateHandle</a>	<a href="#">Boot Services</a>	<a href="#">Protocol Handler Services</a>	Locates the handle(s) that support the specified protocol.
<a href="#">LocateHandleBuffer</a>	<a href="#">Boot Services</a>	<a href="#">Protocol Handler Services</a>	Retrieves the list of handles from the handle database that meet the search criteria. The return buffer is automatically allocated.
<a href="#">LocateProtocol</a>	<a href="#">Boot Services</a>	<a href="#">Protocol Handler Services</a>	Finds the first handle in the handle database the supports the requested protocol.
<a href="#">Map</a>	<a href="#">Device I/O Protocol</a>		Provides the device specific addresses needed to access host memory for DMA.
<a href="#">Map</a>	<a href="#">PCI I/O Protocol</a>		Provides the PCI controller specific address needed to access system memory for DMA.
<a href="#">Map</a>	<a href="#">PCI Root Bridge I/O Protocol</a>		Provides the PCI controller specific addresses needed to access system memory for DMA.
<a href="#">MCast IP to MAC</a>	<a href="#">UNDI Commands</a>		Translate a multicast IPv4 or IPv6 address to a multicast MAC address.
<a href="#">MCastIPtoMAC</a>	<a href="#">Simple Network Protocol</a>		Allows a multicast IP address to be mapped to a multicast HW MAC address.
<a href="#">Mem.Read</a>	<a href="#">Device I/O Protocol</a>		Reads from memory on a bus.
<a href="#">Mem.Read</a>	<a href="#">PCI I/O Protocol</a>		Allows BAR relative reads to PCI memory space.
<a href="#">Mem.Read</a>	<a href="#">PCI Root Bridge I/O Protocol</a>		Allows reads from memory mapped I/O space.
<a href="#">Mem.Write</a>	<a href="#">Device I/O Protocol</a>		Writes to memory on a bus.
<a href="#">Mem.Write</a>	<a href="#">PCI I/O Protocol</a>		Allows BAR relative writes to PCI memory space.
<a href="#">Mem.Write</a>	<a href="#">PCI Root Bridge I/O Protocol</a>		Allows writes to memory mapped I/O space.

Function Name	Service or Protocol	Subservice	Function Description
<a href="#">MetaMatch</a>	<a href="#">Unicode Collation Protocol</a>		Performs a case insensitive comparison between a Unicode pattern string and a Unicode string.
<a href="#">Mftft</a>	<a href="#">PXE Base Code Protocol</a>		Is used to perform TFTP and MTFTP services.
No associated function	<a href="#">EFI Device Path Protocol</a>		Can be used on any device handle to obtain generic path/location information concerning the physical device or logical device.
No associated function	<a href="#">EFI Driver Entry Point</a>		The main entry point for a UEFI driver.
<a href="#">NVData</a>	<a href="#">Simple Network Protocol</a>		Allows read and writes to the NVRAM device attached to a network interface.
<a href="#">NvData</a>	<a href="#">UNDI Commands</a>		This command is used to read and write (if supported by NIC hardware) nonvolatile storage on the NIC.
<a href="#">Open</a>	<a href="#">File System Protocol</a>		Opens or creates a new file.
<a href="#">OpenProtocol</a>	<a href="#">Boot Services</a>	<a href="#">Protocol Handler Services</a>	Adds elements to the list of agents consuming a protocol interface.
<a href="#">OpenProtocolInformation</a>	<a href="#">Boot Services</a>	<a href="#">Protocol Handler Services</a>	Retrieve the list of agents that are currently consuming a protocol interface.
<a href="#">OpenVolume</a>	<a href="#">Simple File System Protocol</a>		Opens the volume for file I/O access.
<a href="#">OptionsValid</a>	<a href="#">EFI Driver Configuration Protocol</a>		Tests to see if a controller's current configuration options are valid.
<a href="#">OutputString</a>	<a href="#">Simple Text Output Protocol</a>		Displays the Unicode string on the device at the current cursor location.
<a href="#">PassThru</a>	<a href="#">Extended SCSI Passthru Protocol</a>		Sends a SCSI Request Packet to a SCSI device that is connected to the SCSI channel.
<a href="#">Pci.Read</a>	<a href="#">Device I/O Protocol</a>		Reads from PCI Configuration Space.
<a href="#">Pci.Read</a>	<a href="#">PCI I/O Protocol</a>		Allows PCI controller relative reads to PCI configuration space.
<a href="#">Pci.Read</a>	<a href="#">PCI Root Bridge I/O Protocol</a>		Allows reads from PCI configuration space.
<a href="#">Pci.Write</a>	<a href="#">Device I/O Protocol</a>		Writes to PCI Configuration Space.

<b>Function Name</b>	<b>Service or Protocol</b>	<b>Subservice</b>	<b>Function Description</b>
<a href="#">Pci.Write</a>	<a href="#">PCI I/O Protocol</a>		Allows PCI controller relative writes to PCI configuration space.
<a href="#">Pci.Write</a>	<a href="#">PCI Root Bridge I/O Protocol</a>		Allows writes to PCI configuration space
<a href="#">PciDevicePath</a>	<a href="#">Device I/O Protocol</a>		Provides an EFI Device Path for a PCI device with the given PCI configuration space address.
<a href="#">Poll</a>	<a href="#">Debugport Protocol</a>		Determine if there is any data available to be read from the debugport device.
<a href="#">PollIo</a>	<a href="#">PCI I/O Protocol</a>		Polls an address in PCI I/O space until an exit condition is met, or a timeout occurs.
<a href="#">PollIo</a>	<a href="#">PCI Root Bridge I/O Protocol</a>		Polls an address in I/O space until an exit condition is met, or a timeout occurs.
<a href="#">PollMem</a>	<a href="#">PCI I/O Protocol</a>		Polls an address in PCI memory space until an exit condition is met, or a timeout occurs
<a href="#">PollMem</a>	<a href="#">PCI Root Bridge I/O Protocol</a>		Polls an address in memory mapped I/O space until an exit condition is met, or a timeout occurs.
<a href="#">ProtocolsPerHandle</a>	<a href="#">Boot Services</a>	<a href="#">Protocol Handler Services</a>	Retrieves the list of protocols installed on a handle. The return buffer is automatically allocated.
<a href="#">QueryMode</a>	<a href="#">Simple Text Output Protocol</a>		Queries information concerning the output device's supported text mode.
<a href="#">RaiseTPL</a>	<a href="#">Boot Services</a>	<a href="#">Task Priority Services</a>	Raises the task priority level.
<a href="#">Read</a>	<a href="#">Debugport Protocol</a>		Receive a buffer of characters from the debugport device.
<a href="#">Read</a>	<a href="#">File System Protocol</a>		Reads bytes from a file.
<a href="#">Read</a>	<a href="#">Serial I/O Protocol</a>		Receives a buffer of characters from a serial device.
<a href="#">ReadBlocks</a>	<a href="#">Block I/O Protocol</a>		Reads the requested number of blocks from the device.
<a href="#">ReadDisk</a>	<a href="#">Disk I/O Protocol</a>		Reads data from the disk.
<a href="#">ReadKeyStroke</a>	<a href="#">Simple Input Protocol</a>		Reads a keystroke from a simple input device.
<a href="#">Receive</a>	<a href="#">Simple Network Protocol</a>		Receives a packet from the network interface.



Function Name	Service or Protocol	Subservice	Function Description
<a href="#">Receive</a>	<a href="#">UNDI Commands</a>		When the network adapter has received a frame, this command is used to copy the frame into driver/application storage.
<a href="#">ReceiveFilters</a>	<a href="#">UNDI Commands</a>		This command is used to read and change receive filters and, if supported, read and change the multicast MAC address filter list.
<a href="#">ReceiveFilters</a>	<a href="#">Simple Network Protocol</a>		Enables and disables the receive filters for the network interface and, if supported, manages the filtered multicast HW MAC address list.
<a href="#">RegisterCacheFlush</a>	<a href="#">EFI Byte Code Protocol</a>		Called to register a callback function that the EBC interpreter can call to flush the processor instruction cache after creating thunks.
<a href="#">RegisterExceptionCallback</a>	<a href="#">Debug Support Protocol</a>		Registers a callback function that will be called each time the specified processor exception occurs.
<a href="#">RegisterPeriodicCallback</a>	<a href="#">Debug Support Protocol</a>		Registers a callback function that will be invoked periodically and asynchronously to the execution of EFI.
<a href="#">RegisterProtocolNotify</a>	<a href="#">Boot Services</a>	<a href="#">Protocol Handler Services</a>	Registers for protocol interface installation notifications.
<a href="#">ReinstallProtocolInterface</a>	<a href="#">Boot Services</a>	<a href="#">Protocol Handler Services</a>	Replaces a protocol interface.
<a href="#">Reset</a>	<a href="#">Block I/O Protocol</a>		Resets the block device hardware.
<a href="#">Reset</a>	<a href="#">Debugport Protocol</a>		Resets the debugport hardware.
<a href="#">Reset</a>	<a href="#">Serial I/O Protocol</a>		Resets the hardware device.
<a href="#">Reset</a>	<a href="#">Simple Input Protocol</a>		Resets a simple input device.
<a href="#">Reset</a>	<a href="#">Simple Network Protocol</a>		Resets the network adapter, and reinitializes it with the parameters that were provided in the previous call to <a href="#">Initialize()</a> .
<a href="#">Reset</a>	<a href="#">Simple Pointer Protocol</a>		Resets the pointer device hardware.
<a href="#">Reset</a>	<a href="#">Simple Text Output Protocol</a>		Resets the ConsoleOut device.

Function Name	Service or Protocol	Subservice	Function Description
<a href="#">Reset</a>	<a href="#">UNDI Commands</a>		This command resets the network adapter and reinitializes the UNDI with the same parameters provided in the <a href="#">Initialize()</a> command.
<a href="#">Reset</a>	<a href="#">USB2 Host Controller Protocol</a>		Software reset of USB.
<a href="#">ResetChannel</a>	<a href="#">Extended SCSI Passthru Protocol</a>		Resets the SCSI channel.
<a href="#">ResetSystem</a>	<a href="#">Runtime Services</a>	<a href="#">Miscellaneous Services</a>	Resets the entire platform.
<a href="#">ResetTarget</a>	<a href="#">Extended SCSI Passthru Protocol</a>		Resets a SCSI device that is connected to the SCSI channel.
<a href="#">RestoreTPL</a>	<a href="#">Boot Services</a>	<a href="#">Event Services</a>	Restores/lowers the task priority level.
<a href="#">RunDiagnostics</a>	<a href="#">EFI Driver Diagnostics Protocol</a>		Runs diagnostics on a controller.
<a href="#">SetAttribute</a>	<a href="#">Simple Text Output Protocol</a>		Sets the foreground and background color of the text that is output.
<a href="#">SetAttributes</a>	<a href="#">PCI Root Bridge I/O Protocol</a>		Sets attributes for a resource range on a PCI root bridge.
<a href="#">SetAttributes</a>	<a href="#">Serial I/O Protocol</a>		Sets communication parameters for a serial device.
<a href="#">SetBarAttributes</a>	<a href="#">PCI I/O Protocol</a>		Sets the attributes for a range of a BAR on a PCI controller.
<a href="#">SetControl</a>	<a href="#">Serial I/O Protocol</a>		Sets the control bits on a serial device.
<a href="#">SetCursorPosition</a>	<a href="#">Simple Text Output Protocol</a>		Sets the current cursor position.
<a href="#">SetInfo</a>	<a href="#">File System Protocol</a>		Sets the requested file information.
<a href="#">SetIpFilter</a>	<a href="#">PXE Base Code Protocol</a>		Updates the IP receive filters of a network device and enables software filtering.
<a href="#">SetMem</a>	<a href="#">Boot Services</a>	<a href="#">Miscellaneous Services</a>	Fills a buffer with a specified value.
<a href="#">SetMode</a>	<a href="#">Simple Text Output Protocol</a>		Sets the current mode of the output device.
<a href="#">SetMode</a>	<a href="#">Graphics Output Protocol</a>		Set the video device into the specified mode and clears the output display to black.

Function Name	Service or Protocol	Subservice	Function Description
<a href="#">SetOptions</a>	<a href="#">EFI Driver Configuration Protocol</a>		Allows the user to set controller specific options for a controller that a driver is currently managing.
<a href="#">SetPackets</a>	<a href="#">PXE Base Code Protocol</a>		Updates the contents of the cached DHCP and Discover packets.
<a href="#">SetParameters</a>	<a href="#">PXE Base Code Protocol</a>		Updates the parameters that affect the operation of the PXE Base Code Protocol.
<a href="#">SetPosition</a>	<a href="#">File System Protocol</a>		Sets the current file position.
<a href="#">SetRootHubPortFeature</a>	<a href="#">USB2 Host Controller Protocol</a>		Sets the feature for the specified root hub port.
<a href="#">SetState</a>	<a href="#">USB2 Host Controller Protocol</a>		Sets the USB host controller to a specific state.
<a href="#">SetStationIp</a>	<a href="#">PXE Base Code Protocol</a>		Updates the station IP address and/or subnet mask values.
<a href="#">SetTime</a>	<a href="#">Runtime Services</a>	<a href="#">Time Services</a>	Sets the current local time and date information.
<a href="#">SetTimer</a>	<a href="#">Boot Services</a>	<a href="#">Event Services</a>	Sets an event to be signaled at a particular time.
<a href="#">SetVariable</a>	<a href="#">Runtime Services</a>	<a href="#">Variable Services</a>	Sets the value of the specified variable.
<a href="#">SetVirtualAddressMap</a>	<a href="#">Runtime Services</a>	<a href="#">Virtual Memory Services</a>	Used by an OS loader to convert from physical addressing to virtual addressing.
<a href="#">SetWakeupTime</a>	<a href="#">Runtime Services</a>	<a href="#">Time Services</a>	Sets the system wakeup alarm clock time.
<a href="#">SetWatchdogTimer</a>	<a href="#">Boot Services</a>	<a href="#">Miscellaneous Services</a>	Resets and sets the system's watchdog timer.
<a href="#">Shutdown</a>	<a href="#">Boot Integrity Services Protocol</a>		Ends the lifetime of an application instance of the <b>EFI_BIS</b> protocol, invalidating its application instance handle.
<a href="#">Shutdown</a>	<a href="#">Simple Network Protocol</a>		Resets the network adapter and leaves it in a state safe for another driver to initialize.
<a href="#">Shutdown</a>	<a href="#">UNDI Commands</a>		Resets the network adapter and leaves it in a safe state for another driver to initialize.
<a href="#">SignalEvent</a>	<a href="#">Boot Services</a>	<a href="#">Event Services</a>	Signals an event.
<a href="#">Stall</a>	<a href="#">Boot Services</a>	<a href="#">Miscellaneous Services</a>	Stalls the processor.

<b>Function Name</b>	<b>Service or Protocol</b>	<b>Subservice</b>	<b>Function Description</b>
<a href="#">Start</a>	<a href="#">EFI Driver Binding Protocol</a>		Starts a device controller or a bus controller.
<a href="#">Start</a>	<a href="#">PXE Base Code Protocol</a>		Enables the use of PXE Base Code Protocol functions.
<a href="#">Start</a>	<a href="#">Simple Network Protocol</a>		Changes the network interface from the stopped state to the started state.
<a href="#">Start</a>	<a href="#">UNDI Commands</a>		This command is used to change the UNDI operational state from stopped to started.
<a href="#">StartImage</a>	<a href="#">Boot Services</a>	<a href="#">Image Services</a>	Function to transfer control to the Image's entry point.
<a href="#">Station Address</a>	<a href="#">UNDI Commands</a>		This command is used to get current station and broadcast MAC addresses and, if supported, to change the current station MAC address.
<a href="#">StationAddress</a>	<a href="#">Simple Network Protocol</a>		Allows the station address of the network interface to be modified.
<a href="#">Statistics</a>	<a href="#">Simple Network Protocol</a>		Allows the statistics on the network interface to be reset and/or collected.
<a href="#">Statistics</a>	<a href="#">UNDI Commands</a>		This command is used to read and clear the NIC traffic statistics.
<a href="#">Stop</a>	<a href="#">EFI Driver Binding Protocol</a>		Stops a device controller or a bus controller.
<a href="#">Stop</a>	<a href="#">PXE Base Code Protocol</a>		Disables the use of PXE Base Code Protocol functions.
<a href="#">Stop</a>	<a href="#">Simple Network Protocol</a>		Changes the network interface from the started state to the stopped state.
<a href="#">Stop</a>	<a href="#">UNDI Commands</a>		This command is used to change the UNDI operational state from started to stopped.
<a href="#">StriColl</a>	<a href="#">Unicode Collation Protocol</a>		Performs a case-insensitive comparison between two Unicode strings.
<a href="#">StrLwr</a>	<a href="#">Unicode Collation Protocol</a>		Converts all the Unicode characters in a Null-terminated Unicode string to lower case Unicode characters.

Function Name	Service or Protocol	Subservice	Function Description
<a href="#">StrToFat</a>	<a href="#">Unicode Collation Protocol</a>		Converts a Null-terminated Unicode string to legal characters in a FAT filename using an OEM character set.
<a href="#">StrUpr</a>	<a href="#">Unicode Collation Protocol</a>		Converts all the Unicode characters in a Null-terminated Unicode string to upper case Unicode characters.
<a href="#">Supported</a>	<a href="#">EFI Driver Binding Protocol</a>		Tests to see if driver supports a given controller, and further tests to see if driver supports creating a handle for a specified child device.
<a href="#">SyncInterruptTransfer</a>	<a href="#">USB2 Host Controller Protocol</a>		Submits a synchronous interrupt transfer to an interrupt endpoint of a USB device.
<a href="#">TestString</a>	<a href="#">Simple Text Output Protocol</a>		Tests to see if the ConsoleOut device supports this Unicode string.
<a href="#">Transmit</a>	<a href="#">Simple Network Protocol</a>		Places a packet in the transmit queue of the network interface.
<a href="#">Transmit</a>	<a href="#">UNDI Commands</a>		The Transmit command is used to place a packet into the transmit queue.
<a href="#">UdpRead</a>	<a href="#">PXE Base Code Protocol</a>		Reads a UDP packet from a network interface.
<a href="#">UdpWrite</a>	<a href="#">PXE Base Code Protocol</a>		Writes a UDP packet to a network interface.
<a href="#">UninstallMultipleProtocol Interfaces</a>	<a href="#">Boot Services</a>	<a href="#">Protocol Handler Services</a>	Uninstalls one or more protocol interfaces from a handle.
<a href="#">UninstallProtocolInterface</a>	<a href="#">Boot Services</a>	<a href="#">Protocol Handler Services</a>	Removes a protocol interface from a device handle.
<a href="#">Unload</a>	<a href="#">Loaded Image Protocol</a>		Requests an image to unload.
<a href="#">UnloadImage</a>	<a href="#">Boot Services</a>	<a href="#">Image Services</a>	Unloads an image.
<a href="#">UnloadImage</a>	<a href="#">EFI Byte Code Protocol</a>		Called when an EBC image is unloaded to allow the interpreter to perform any cleanup associated with the image's execution.
<a href="#">Unmap</a>	<a href="#">Device I/O Protocol</a>		Releases any resources allocated by <a href="#">Map ()</a> .
<a href="#">Unmap</a>	<a href="#">PCI I/O Protocol</a>		Releases any resources allocated by <a href="#">Map ()</a> .
<a href="#">Unmap</a>	<a href="#">PCI Root Bridge I/O Protocol</a>		Releases any resources allocated by <a href="#">Map ()</a> .

<b>Function Name</b>	<b>Service or Protocol</b>	<b>Subservice</b>	<b>Function Description</b>
<a href="#">UpdateBootObject Authorization</a>	<a href="#">Boot Integrity Services Protocol</a>		Requests that the configuration parameters be altered by installing or removing an authorization certificate or changing the setting of the check flag.
<a href="#">UsbAsyncInterruptTransfer</a>	<a href="#">USB I/O Protocol</a>		Nonblock USB interrupt transfer.
<a href="#">UsbAsyncIsochronous Transfer</a>	<a href="#">USB I/O Protocol</a>		Nonblock USB isochronous transfer.
<a href="#">UsbBulkTransfer</a>	<a href="#">USB I/O Protocol</a>		Accesses the USB Device through USB Bulk Transfer Pipe.
<a href="#">UsbControlTransfer</a>	<a href="#">USB I/O Protocol</a>		Accesses the USB Device through USB Control Transfer Pipe.
<a href="#">UsbGetConfigDescriptor</a>	<a href="#">USB I/O Protocol</a>		Retrieves the activated configuration descriptor of a USB device.
<a href="#">UsbGetDeviceDescriptor</a>	<a href="#">USB I/O Protocol</a>		Retrieves the device descriptor of a USB device.
<a href="#">UsbGetEndpointDescriptor</a>	<a href="#">USB I/O Protocol</a>		Retrieves the endpoint descriptor of a USB Controller.
<a href="#">UsbGetInterfaceDescriptor</a>	<a href="#">USB I/O Protocol</a>		Retrieves the interface descriptor of a USB Controller.
<a href="#">UsbGetStringDescriptor</a>	<a href="#">USB I/O Protocol</a>		Retrieves the string descriptor inside a USB Device.
<a href="#">UsbGetSupported Languages</a>	<a href="#">USB I/O Protocol</a>		Retrieves the array of languages that the USB device supports.
<a href="#">UsbIsochronousTransfer</a>	<a href="#">USB I/O Protocol</a>		Accesses the USB Device through USB Isochronous Transfer Pipe.
<a href="#">UsbPortReset</a>	<a href="#">USB I/O Protocol</a>		Resets and reconfigures the USB controller.
<a href="#">UsbSyncInterruptTransfer</a>	<a href="#">USB I/O Protocol</a>		Accesses the USB Device through USB Synchronous Interrupt Transfer Pipe.
<a href="#">VerifyBootObject</a>	<a href="#">Boot Integrity Services Protocol</a>		Verifies a boot object according to the supplied digital signature and the current authorization certificate and check flag setting.
<a href="#">VerifyObjectWithCredential</a>	<a href="#">Boot Integrity Services Protocol</a>		Verifies a data object according to a supplied digital signature and a supplied digital certificate.
<a href="#">WaitForEvent</a>	<a href="#">Boot Services</a>	<a href="#">Event Services</a>	Stops execution until an event is signaled.
<a href="#">Write</a>	<a href="#">Debugport Protocol</a>		Send a buffer of characters to the debugport device.

<b>Function Name</b>	<b>Service or Protocol</b>	<b>Subservice</b>	<b>Function Description</b>
<a href="#">Write</a>	<a href="#">File System Protocol</a>		Writes bytes to a file.
<a href="#">Write</a>	<a href="#">Serial I/O Protocol</a>		Sends a buffer of characters to a serial device.
<a href="#">WriteBlocks</a>	<a href="#">Block I/O Protocol</a>		Writes the requested number of blocks to the device.
<a href="#">WriteDisk</a>	<a href="#">Disk I/O Protocol</a>		Writes data to the disk.

**Table 185. Functions Listed Alphabetically within a Service or Protocol**

Service or Protocol	Function	Function Description
<a href="#">Block I/O Protocol</a>	<a href="#">FlushBlocks</a>	Flushes any cached blocks.
	<a href="#">ReadBlocks</a>	Reads the requested number of blocks from the device.
	<a href="#">Reset</a>	Resets the block device hardware.
	<a href="#">WriteBlocks</a>	Writes the requested number of blocks to the device.
<a href="#">Boot Integrity Services Protocol</a>	<a href="#">Free</a>	Frees memory structures allocated and returned by other functions in the <b>EFI_BIS</b> protocol.
	<a href="#">GetBootObjectAuthorizationCertificate</a>	Retrieves the current digital certificate (if any) used by the <b>EFI_BIS</b> protocol as the source of authorization for verifying boot objects and altering configuration parameters.
	<a href="#">GetBootObjectAuthorizationCheckFlag</a>	Retrieves the current setting of the authorization check flag that indicates whether or not authorization checks are required for boot objects.
	<a href="#">GetBootObjectAuthorizationUpdateToken</a>	Retrieves an uninterpreted token whose value gets included and signed in a subsequent request to alter the configuration parameters, to protect against attempts to “replay” such a request.
	<a href="#">GetSignatureInfo</a>	Retrieves information about the digital signature algorithms supported and the identity of the installed authorization certificate, if any.
	<a href="#">Initialize</a>	Initializes an application instance of the <b>EFI_BIS</b> protocol, returning a handle for the application instance.
	<a href="#">Shutdown</a>	Ends the lifetime of an application instance of the <b>EFI_BIS</b> protocol, invalidating its application instance handle.
	<a href="#">UpdateBootObjectAuthorization</a>	Requests that the configuration parameters be altered by installing or removing an authorization certificate or changing the setting of the check flag.
	<a href="#">VerifyBootObject</a>	Verifies a boot object according to the supplied digital signature and the current authorization certificate and check flag setting.
	<a href="#">VerifyObjectWithCredential</a>	Verifies a data object according to a supplied digital signature and a supplied digital certificate.
<a href="#">Boot Services</a>	<a href="#">AllocatePages</a>	Allocates memory pages of a particular type.
	<a href="#">AllocatePool</a>	Allocates pool of a particular type.
	<a href="#">CalculateCrc32</a>	Computes and returns a 32-bit CRC for a data buffer.
	<a href="#">CheckEvent</a>	Checks whether an event is in the signaled state.
	<a href="#">CloseEvent</a>	Closes and frees an event structure.



<b>Service or Protocol</b>	<b>Function</b>	<b>Function Description</b>
	<a href="#">CloseProtocol</a>	Removes elements from the list of agents consuming a protocol interface.
	<a href="#">ConnectController</a>	Uses a set of precedence rules to find the best set of drivers to manage a controller.
	<a href="#">CopyMem</a>	Copies the contents of one buffer to another buffer.
	<a href="#">CreateEvent</a>	Creates a general-purpose event structure.
	<a href="#">DisconnectController</a>	Informs a set of drivers to stop managing a controller.
	<a href="#">EFI_IMAGE_ENTRY_POINT</a>	Prototype of an EFI Image's entry point.
	<a href="#">Exit</a>	Exits the image's entry point.
	<a href="#">ExitBootServices</a>	Terminates boot services.
	<a href="#">FreePages</a>	Frees memory pages.
	<a href="#">FreePool</a>	Frees allocated pool.
	<a href="#">GetMemoryMap</a>	Returns the current boot services memory map and memory map key.
	<a href="#">GetNextMonotonicCount</a>	Returns a monotonically increasing count for the platform.
	<a href="#">HandleProtocol</a>	Queries the list of protocol handlers on a device handle for the requested Protocol Interface.
	<a href="#">InstallConfigurationTable</a>	Adds, updates, or removes a configuration table from the EFI System Table
	<a href="#">InstallMultipleProtocolInterfaces</a>	Installs one or more protocol interfaces onto a handle.
	<a href="#">InstallProtocolInterface</a>	Adds a protocol interface to an existing or new device handle.
	<a href="#">LoadImage</a>	Function to dynamically load another EFI Image.
	<a href="#">LocateDevicePath</a>	Locates the closest handle that supports the specified protocol on the specified device path.
	<a href="#">LocateHandle</a>	Locates the handle(s) that support the specified protocol.
	<a href="#">LocateHandleBuffer</a>	Retrieves the list of handles from the handle database that meet the search criteria. The return buffer is automatically allocated.
<a href="#">Boot Services</a>	<a href="#">LocateProtocol</a>	Finds the first handle in the handle database the supports the requested protocol.
	<a href="#">OpenProtocol</a>	Adds elements to the list of agents consuming a protocol interface.
	<a href="#">OpenProtocolInformation</a>	Retrieve the list of agents that are currently consuming a protocol interface.
	<a href="#">ProtocolsPerHandle</a>	Retrieves the list of protocols installed on a handle. The return buffer is automatically allocated.

Service or Protocol	Function	Function Description
	<a href="#">RaiseTPL</a>	Raises the task priority level.
	<a href="#">RegisterProtocolNotify</a>	Registers for protocol interface installation notifications
	<a href="#">ReinstallProtocolInterface</a>	Replaces a protocol interface.
	<a href="#">RestoreTPL</a>	Restores/lowers the task priority level.
	<a href="#">SetMem</a>	Fills a buffer with a specified value.
	<a href="#">SetTimer</a>	Sets an event to be signaled at a particular time.
	<a href="#">SetWatchdogTimer</a>	Resets and sets the system's watchdog timer.
	<a href="#">SignalEvent</a>	Signals an event.
	<a href="#">Stall</a>	Stalls the processor.
	<a href="#">StartImage</a>	Function to transfer control to the Image's entry point.
	<a href="#">UninstallMultipleProtocolInterfaces</a>	Uninstalls one or more protocol interfaces from a handle.
	<a href="#">UninstallProtocolInterface</a>	Removes a protocol interface from a device handle.
	<a href="#">UnloadImage</a>	Unloads an image.
	<a href="#">WaitForEvent</a>	Stops execution until an event is signaled.
<a href="#">Debugport Protocol</a>	<a href="#">Poll</a>	Determine if there is any data available to be read from the debugport device.
	<a href="#">Read</a>	Receive a buffer of characters from the debugport device.
	<a href="#">Reset</a>	Resets the debugport hardware.
	<a href="#">Write</a>	Send a buffer of characters to the debugport device.
<a href="#">Debug Support Protocol</a>	<a href="#">GetMaximumProcessorIndex</a>	Returns the maximum processor index value that may be used with <a href="#">RegisterPeriodicCallback()</a> and <a href="#">RegisterExceptionCallback()</a> .
	<a href="#">InvalidateInstructionCache</a>	Invalidate the instruction cache of the processor.
	<a href="#">RegisterExceptionCallback</a>	Registers a callback function that will be called each time the specified processor exception occurs.
	<a href="#">RegisterPeriodicCallback</a>	Registers a callback function that will be invoked periodically and asynchronously to the execution of EFI.
<a href="#">Decompress Protocol</a>	<a href="#">Decompress</a>	Decompresses a compressed source buffer into an uncompressed destination buffer.
	<a href="#">GetInfo</a>	Given the compressed source buffer, this function retrieves the size of the uncompressed destination buffer and the size of the scratch buffer required to perform the decompression.
<a href="#">Device I/O Protocol</a>	<a href="#">AllocateBuffer</a>	Allocates pages that are suitable for a common buffer mapping.

Service or Protocol	Function	Function Description
	<a href="#">Flush</a>	Flushes any posted write data to the device.
	<a href="#">FreeBuffer</a>	Frees pages that were allocated with <a href="#">AllocateBuffer()</a> .
	<a href="#">Io.Read</a>	Reads from I/O ports on a bus.
	<a href="#">Io.Write</a>	Writes to I/O ports on a bus.
	<a href="#">Map</a>	Provides the device specific addresses needed to access host memory for DMA.
	<a href="#">Mem.Read</a>	Reads from memory on a bus.
	<a href="#">Mem.Write</a>	Writes to memory on a bus.
	<a href="#">Pci.Read</a>	Reads from PCI Configuration Space.
	<a href="#">Pci.Write</a>	Writes to PCI Configuration Space.
	<a href="#">PciDevicePath</a>	Provides an EFI Device Path for a PCI device with the given PCI configuration space address.
	<a href="#">Unmap</a>	Releases any resources allocated by <a href="#">Map()</a> .
<a href="#">Disk I/O Protocol</a>	<a href="#">ReadDisk</a>	Reads data from the disk.
	<a href="#">WriteDisk</a>	Writes data to the disk.
<a href="#">EFI Bus-Specific Driver Override Protocol</a>	<a href="#">GetDriver</a>	Uses a bus specific algorithm to retrieve a driver image handle for a controller.
<a href="#">EFI Byte Code Protocol</a>	<a href="#">CreateThunk</a>	Creates a thunk for an EBC image entry point or protocol service, and returns a pointer to the thunk.
	<a href="#">RegisterCacheFlush</a>	Called to register a callback function that the EBC interpreter can call to flush the processor instruction cache after creating thunks.
	<a href="#">UnloadImage</a>	Called when an EBC image is unloaded to allow the interpreter to perform any cleanup associated with the image's execution.
<a href="#">EFI Component Name Protocol</a>	<a href="#">GetControllerName</a>	Retrieves a Unicode string that is the user readable name of the controller that is being managed by a UEFI driver.
	<a href="#">GetDriverName</a>	Retrieves a Unicode string that is the user readable name of the UEFI driver.
<a href="#">EFI Device Path Protocol</a>	No associated function	Can be used on any device handle to obtain generic path/location information concerning the physical device or logical device.
<a href="#">EFI Driver Binding Protocol</a>	<a href="#">Start</a>	Starts a device controller or a bus controller.
	<a href="#">Stop</a>	Stops a device controller or a bus controller.
	<a href="#">Supported</a>	Tests to see if driver supports a given controller, and further tests to see if driver supports creating a handle for a specified child device.
<a href="#">EFI Driver Configuration Protocol</a>	<a href="#">ForceDefaults</a>	Forces a driver to set the default configuration options for a controller.

Service or Protocol	Function	Function Description
	<a href="#">OptionsValid</a>	Tests to see if a controller's current configuration options are valid.
	<a href="#">SetOptions</a>	Allows the user to set controller specific options for a controller that a driver is currently managing.
<a href="#">EFI Driver Diagnostics Protocol</a>	<a href="#">RunDiagnostics</a>	Runs diagnostics on a controller.
<a href="#">EFI Driver Entry Point</a>	No associated function	The main entry point for a UEFI Driver.
<a href="#">EFI Driver Override Protocol</a>	<a href="#">DriverLoaded</a>	Used to associate a driver image handle with a device path returned on a prior call.
	<a href="#">GetDriver</a>	Retrieves the image handle of the platform override driver for a controller in the system.
	<a href="#">GetDriverPath</a>	Retrieves the device path of the platform override driver for a controller in the system.
<a href="#">File System Protocol</a>	<a href="#">Close</a>	Closes the current file handle.
	<a href="#">Delete</a>	Deletes a file.
	<a href="#">Flush</a>	Flushes all modified data associated with the file to the device.
	<a href="#">GetInfo</a>	Gets the requested file or volume information.
	<a href="#">GetPosition</a>	Returns the current file position.
	<a href="#">Open</a>	Opens or creates a new file.
	<a href="#">Read</a>	Reads bytes from a file.
	<a href="#">SetInfo</a>	Sets the requested file information.
	<a href="#">SetPosition</a>	Sets the current file position.
	<a href="#">Write</a>	Writes bytes to a file.
<a href="#">Load File Protocol</a>	<a href="#">LoadFile</a>	Causes the driver to load the requested file.
<a href="#">Loaded Image Protocol</a>	<a href="#">Unload</a>	Requests an image to unload.
<a href="#">PCI I/O Protocol</a>	<a href="#">AllocateBuffer</a>	Allocates pages that are suitable for a common buffer mapping.
	<a href="#">Attributes</a>	Performs an operation on the attributes that this PCI controller supports.
	<a href="#">CopyMem</a>	Allows one region of PCI memory space to be copied to another region of PCI memory space
	<a href="#">Flush</a>	Flushes all PCI posted write transactions to system memory.
	<a href="#">FreeBuffer</a>	Frees pages that were allocated with <a href="#">AllocateBuffer()</a> .
	<a href="#">GetBarAttributes</a>	Gets the attributes that this PCI controller supports setting on a BAR using <a href="#">SetBarAttributes()</a> , and retrieves the list of resource descriptors for a BAR.

Service or Protocol	Function	Function Description
	<a href="#">GetLocation</a>	Retrieves this PCI controller's current PCI bus number, device number, and function number.
	<a href="#">Io.Read</a>	Allows BAR relative reads to PCI I/O space.
	<a href="#">Io.Write</a>	Allows BAR relative writes to PCI I/O space.
	<a href="#">Map</a>	Provides the PCI controller specific address needed to access system memory for DMA.
	<a href="#">Mem.Read</a>	Allows BAR relative reads to PCI memory space.
	<a href="#">Mem.Write</a>	Allows BAR relative writes to PCI memory space.
	<a href="#">Pci.Read</a>	Allows PCI controller relative reads to PCI configuration space.
	<a href="#">Pci.Write</a>	Allows PCI controller relative writes to PCI configuration space.
<a href="#">PCI I/O Protocol</a>	<a href="#">PollIo</a>	Polls an address in PCI I/O space until an exit condition is met, or a timeout occurs.
	<a href="#">PollMem</a>	Polls an address in PCI memory space until an exit condition is met, or a timeout occurs
	<a href="#">SetBarAttributes</a>	Sets the attributes for a range of a BAR on a PCI controller.
	<a href="#">Unmap</a>	Releases any resources allocated by <a href="#">Map()</a> .
<a href="#">PCI Root Bridge I/O Protocol</a>	<a href="#">AllocateBuffer</a>	Allocates pages that are suitable for a common buffer mapping.
	<a href="#">Configuration</a>	Gets the current resource settings for this PCI root bridge
	<a href="#">CopyMem</a>	Allows one region of PCI root bridge memory space to be copied to another region of PCI root bridge memory space.
	<a href="#">Flush</a>	Flushes all PCI posted write transactions to system memory.
	<a href="#">FreeBuffer</a>	Free pages that were allocated with <a href="#">AllocateBuffer()</a> .
	<a href="#">GetAttributes</a>	Gets the attributes that a PCI root bridge supports setting with <a href="#">SetAttributes()</a> , and the attributes that a PCI root bridge is currently using.
	<a href="#">Io.Read</a>	Allows reads from I/O space.
	<a href="#">Io.Write</a>	Allows writes to I/O space.
	<a href="#">Map</a>	Provides the PCI controller specific addresses needed to access system memory for DMA.
	<a href="#">Mem.Read</a>	Allows reads from memory mapped I/O space.
	<a href="#">Mem.Write</a>	Allows writes to memory mapped I/O space.
	<a href="#">Pci.Read</a>	Allows reads from PCI configuration space.
	<a href="#">Pci.Write</a>	Allows writes to PCI configuration space

Service or Protocol	Function	Function Description
	<a href="#">PollIo</a>	Polls an address in I/O space until an exit condition is met, or a timeout occurs.
	<a href="#">PollMem</a>	Polls an address in memory mapped I/O space until an exit condition is met, or a timeout occurs.
	<a href="#">SetAttributes</a>	Sets attributes for a resource range on a PCI root bridge.
	<a href="#">Unmap</a>	Releases any resources allocated by <a href="#">Map ()</a> .
<a href="#">PXE Base Code Callback Protocol</a>	<a href="#">Callback</a>	Callback routine used by the PXE Base Code <a href="#">Dhcp ()</a> , <a href="#">Discover ()</a> , <a href="#">Mtftp ()</a> , <a href="#">UdpWrite ()</a> , and <a href="#">Arp ()</a> functions.
<a href="#">PXE Base Code Protocol</a>	<a href="#">Arp</a>	Uses the ARP protocol to resolve a MAC address.
	<a href="#">Dhcp</a>	Attempts to complete a DHCPv4 D.O.R.A. (discover / offer / request / acknowledge) or DHCPv6 S.A.R.R (solicit / advertise / request / reply) sequence.
	<a href="#">Discover</a>	Attempts to complete the PXE Boot Server and/or boot image discovery sequence.
	<a href="#">EFI_PXE_BASE_CODE_CALLBACK</a>	Callback function that is invoked when the PXE Base Code Protocol is waiting for an event.
	<a href="#">Mtftp</a>	Is used to perform TFTP and MTFTP services.
	<a href="#">SetIpFilter</a>	Updates the IP receive filters of a network device and enables software filtering.
	<a href="#">SetPackets</a>	Updates the contents of the cached DHCP and Discover packets.
	<a href="#">SetParameters</a>	Updates the parameters that affect the operation of the PXE Base Code Protocol.
	<a href="#">SetStationIp</a>	Updates the station IP address and/or subnet mask values.
	<a href="#">Start</a>	Enables the use of PXE Base Code Protocol functions.
	<a href="#">Stop</a>	Disables the use of PXE Base Code Protocol functions.
	<a href="#">UdpRead</a>	Reads a UDP packet from a network interface.
	<a href="#">UdpWrite</a>	Writes a UDP packet to a network interface.
<a href="#">Runtime Services</a>	<a href="#">ConvertPointer</a>	Used by EFI components to convert internal pointers when switching to virtual addressing.
	<a href="#">GetNextHighMonotonicCount</a>	Returns the next high 32 bits of a platform's monotonic counter.
	<a href="#">GetNextVariableName</a>	Enumerates the current variable names.
	<a href="#">GetTime</a>	Returns the current time and date, and the time-keeping capabilities of the platform.
	<a href="#">GetVariable</a>	Returns the value of the specific variable.
	<a href="#">GetWakeupTime</a>	Returns the current wakeup alarm clock setting.

<b>Service or Protocol</b>	<b>Function</b>	<b>Function Description</b>
	<a href="#">ResetSystem</a>	Resets the entire platform.
	<a href="#">SetTime</a>	Sets the current local time and date information.
	<a href="#">SetVariable</a>	Sets the value of the specified variable.
	<a href="#">SetVirtualAddressMap</a>	Used by an OS loader to convert from physical addressing to virtual addressing.
	<a href="#">SetWakeupTime</a>	Sets the system wakeup alarm clock time.
<a href="#">Extended SCSI Passthru Protocol</a>	<a href="#">BuildDevicePath</a>	Used to allocate and build a device path node for a SCSI device on a SCSI channel.
	<a href="#">GetNextDevice</a>	Used to retrieve the list of legal Target IDs for the SCSI devices on a SCSI channel.
	<a href="#">GetTargetLun</a>	Used to translate a device path node to a Target ID and LUN.
	<a href="#">PassThru</a>	Sends a SCSI Request Packet to a SCSI device that is connected to the SCSI channel.
	<a href="#">ResetChannel</a>	Resets the SCSI channel.
	<a href="#">ResetTarget</a>	Resets a SCSI device that is connected to the SCSI channel.
<a href="#">Serial I/O Protocol</a>	<a href="#">GetControl</a>	Reads the status of the control bits on a serial device.
	<a href="#">Read</a>	Receives a buffer of characters from a serial device.
	<a href="#">Reset</a>	Resets the hardware device.
	<a href="#">SetAttributes</a>	Sets communication parameters for a serial device.
	<a href="#">SetControl</a>	Sets the control bits on a serial device.
	<a href="#">Write</a>	Sends a buffer of characters to a serial device.
<a href="#">Simple File System Protocol</a>	<a href="#">OpenVolume</a>	Opens the volume for file I/O access.
<a href="#">Simple Input Protocol</a>	<a href="#">ReadKeyStroke</a>	Reads a keystroke from a simple input device.
	<a href="#">Reset</a>	Resets a simple input device.
<a href="#">Simple Network Protocol</a>	<a href="#">GetStatus</a>	Reads the current interrupt status and recycled transmit buffer status from the network interface.
	<a href="#">Initialize</a>	Resets the network adapter and allocates the transmit and receive buffers required by the network interface; also optionally allows space for additional transmit and receive buffers to be allocated
	<a href="#">MCastIPtoMAC</a>	Allows a multicast IP address to be mapped to a multicast HW MAC address.
	<a href="#">NVData</a>	Allows read and writes to the NVRAM device attached to a network interface.
	<a href="#">Receive</a>	Receives a packet from the network interface.

Service or Protocol	Function	Function Description
	<a href="#">ReceiveFilters</a>	Enables and disables the receive filters for the network interface and, if supported, manages the filtered multicast HW MAC address list
	<a href="#">Reset</a>	Resets the network adapter, and reinitializes it with the parameters that were provided in the previous call to <a href="#">Initialize()</a> .
<a href="#">Simple Network Protocol</a>	<a href="#">Shutdown</a>	Resets the network adapter and leaves it in a state safe for another driver to initialize.
	<a href="#">Start</a>	Changes the network interface from the stopped state to the started state.
	<a href="#">StationAddress</a>	Allows the station address of the network interface to be modified.
	<a href="#">Statistics</a>	Allows the statistics on the network interface to be reset and/or collected.
	<a href="#">Stop</a>	Changes the network interface from the started state to the stopped state.
	<a href="#">Transmit</a>	Places a packet in the transmit queue of the network interface.
<a href="#">Simple Pointer Protocol</a>	<a href="#">GetState</a>	Retrieves the current state of a pointer device.
	<a href="#">Reset</a>	Resets the pointer device hardware.
<a href="#">Simple Text Output Protocol</a>	<a href="#">ClearScreen</a>	Clears the screen with the currently set background color.
	<a href="#">EnableCursor</a>	Turns the visibility of the cursor on/off.
	<a href="#">OutputString</a>	Displays the Unicode string on the device at the current cursor location.
	<a href="#">QueryMode</a>	Queries information concerning the output device's supported text mode.
	<a href="#">Reset</a>	Resets the ConsoleOut device.
	<a href="#">SetAttribute</a>	Sets the foreground and background color of the text that is output.
	<a href="#">SetCursorPosition</a>	Sets the current cursor position.
	<a href="#">SetMode</a>	Sets the current mode of the output device.
	<a href="#">TestString</a>	Tests to see if the ConsoleOut device supports this Unicode string.
<a href="#">EFI_GRAPHICS_OUTPUT_PROTOCOL</a>	<a href="#">Blt</a>	Blt a rectangle of pixels on the graphics screen. Blt stands for BLock Transfer.
	<a href="#">QueryMode</a>	Returns information for an available graphics mode that the graphics device and the set of active video output devices supports.
	<a href="#">SetMode</a>	Set the video device into the specified mode and clears the visible portions of the output display to black.



<b>Service or Protocol</b>	<b>Function</b>	<b>Function Description</b>
<a href="#">UNDI Commands</a>	<a href="#">Fill Header</a>	This command is used to fill the media header(s) in transmit packet(s).
	<a href="#">Get Config Info</a>	This command is used to retrieve configuration information about the NIC being controlled by the UNDI.
	<a href="#">Get Init Info</a>	This command is used to retrieve initialization information that is needed by drivers and applications to initialized UNDI.
	<a href="#">Get State</a>	This command is used to determine the operational state of the UNDI.
	<a href="#">Get Status</a>	This command returns the current interrupt status and/or the transmitted buffer addresses.
	<a href="#">Initialize</a>	This command resets the network adapter and initializes UNDI using the parameters supplied in the CPB.
	<a href="#">Interrupt Enables</a>	The Interrupt Enables command can be used to read and/or change the current external interrupt enable settings.
	<a href="#">MCast IP to MAC</a>	Translate a multicast IPv4 or IPv6 address to a multicast MAC address.
	<a href="#">NvData</a>	This command is used to read and write (if supported by NIC H/W) nonvolatile storage on the NIC.
	<a href="#">Receive</a>	When the network adapter has received a frame, this command is used to copy the frame into driver/application storage.
	<a href="#">Receive Filters</a>	This command is used to read and change receive filters and, if supported, read and change the multicast MAC address filter list.
	<a href="#">Reset</a>	This command resets the network adapter and reinitializes the UNDI with the same parameters provided in the Initialize command.
	<a href="#">Shutdown</a>	The Shutdown command resets the network adapter and leaves it in a safe state for another driver to initialize.
	<a href="#">UNDI Commands</a>	<a href="#">Start</a>
<a href="#">Station Address</a>		This command is used to get current station and broadcast MAC addresses and, if supported, to change the current station MAC address.
<a href="#">Statistics</a>		This command is used to read and clear the NIC traffic statistics.
<a href="#">Stop</a>		This command is used to change the UNDI operational state from started to stopped.

<b>Service or Protocol</b>	<b>Function</b>	<b>Function Description</b>
	<a href="#">Transmit</a>	The Transmit command is used to place a packet into the transmit queue.
<a href="#">Unicode Collation Protocol</a>	<a href="#">FatToStr</a>	Converts an 8.3 FAT file name in an OEM character set to a Null-terminated Unicode string.
	<a href="#">MetaiMatch</a>	Performs a case insensitive comparison between a Unicode pattern string and a Unicode string.
	<a href="#">StriColl</a>	Performs a case-insensitive comparison between two Unicode strings.
	<a href="#">StrLwr</a>	Converts all the Unicode characters in a Null-terminated Unicode string to lower case Unicode characters.
	<a href="#">StrToFat</a>	Converts a Null-terminated Unicode string to legal characters in a FAT filename using an OEM character set.
	<a href="#">StrUpr</a>	Converts all the Unicode characters in a Null-terminated Unicode string to upper case Unicode characters.
<a href="#">USB Host Controller Protocol</a>	<a href="#">AsyncInterruptTransfer</a>	Submits an asynchronous interrupt transfer to an interrupt endpoint of a USB device.
	<a href="#">AsyncIsochronousTransfer</a>	Submits nonblocking USB isochronous transfer.
	<a href="#">BulkTransfer</a>	Submits a bulk transfer to a bulk endpoint of a USB device.
	<a href="#">ClearRootHubPortFeature</a>	Clears the feature for the specified root hub port.
	<a href="#">ControlTransfer</a>	Submits a control transfer to a target USB device.
	<a href="#">GetRootHubPortNumber</a>	Retrieves the number of root hub ports that are produced by the USB host controller.
	<a href="#">GetRootHubPortStatus</a>	Retrieves the status of the specified root hub port.
	<a href="#">GetState</a>	Retrieves the current state of the USB host controller.
<a href="#">USB Host Controller Protocol</a>	<a href="#">IsochronousTransfer</a>	Submits isochronous transfer to an isochronous endpoint of a USB device.
	<a href="#">Reset</a>	Software reset of USB.
	<a href="#">SetRootHubPortFeature</a>	Sets the feature for the specified root hub port.
	<a href="#">SetState</a>	Sets the USB host controller to a specific state.
	<a href="#">SyncInterruptTransfer</a>	Submits a synchronous interrupt transfer to an interrupt endpoint of a USB device.
<a href="#">USB I/O Protocol</a>	<a href="#">UsbAsyncInterruptTransfer</a>	Nonblock USB interrupt transfer.
	<a href="#">UsbAsyncIsochronous Transfer</a>	Nonblock USB isochronous transfer.
	<a href="#">UsbBulkTransfer</a>	Accesses the USB Device through USB Bulk Transfer Pipe.

Service or Protocol	Function	Function Description
	<a href="#">UsbControlTransfer</a>	Accesses the USB Device through USB Control Transfer Pipe.
	<a href="#">UsbGetConfigDescriptor</a>	Retrieves the activated configuration descriptor of a USB device.
	<a href="#">UsbGetDeviceDescriptor</a>	Retrieves the device descriptor of a USB device.
	<a href="#">UsbGetEndpointDescriptor</a>	Retrieves the endpoint descriptor of a USB Controller.
	<a href="#">UsbGetInterfaceDescriptor</a>	Retrieves the interface descriptor of a USB Controller.
	<a href="#">UsbGetStringDescriptor</a>	Retrieves the string descriptor inside a USB Device.
	<a href="#">UsbGetSupported Languages</a>	Retrieves the array of languages that the USB device supports.
	<a href="#">UsbIsochronousTransfer</a>	Accesses the USB Device through USB Isochronous Transfer Pipe.
	<a href="#">UsbPortReset</a>	Resets and reconfigures the USB controller.
	<a href="#">UsbSyncInterruptTransfer</a>	Accesses the USB Device through USB Synchronous Interrupt Transfer Pipe.



# Appendix L

## EFI 1.10 Protocol Changes and Deprecation List

---

### L.1 Protocol and GUID Name Changes from EFI 1.10

This appendix lists the Protocol , GUID, and revision identifier name changes and the deprecated protocols compared to the *EFI Specification 1.10*. The protocols listed are not Runtime, Reentrant or MP Safe. Protocols are listed by EFI 1.10 name.

For protocols in the table whose TPL is not <= TPL\_NOTIFY:

This function must be called at a TPL level less then or equal to %%%.

%%% is TPL\_CALLBACK or TPL\_APPLICATION. The <= is done via text.

**Table 186. Protocol Name changes**

EFI 11.0 Protocol Name	UEFI 2.0 Protocol Name
EFI_LOADED_IMAGE	EFI_LOADED_IMAGE_PROTOCOL
<i>TPL</i>	<= TPL_NOTIFY
<i>New GUID name</i>	EFI_LOADED_IMAGE_PROTOCOL_GUID
EFI_DEVICE_PATH	EFI_DEVICE_PATH_PROTOCOL
<i>TPL</i>	<= TPL_NOTIFY
<i>New GUID name</i>	EFI_DEVICE_PATH_PROTOCOL_GUID
SIMPLE_INPUT_INTERFACE	EFI_SIMPLE_INPUT_PROTOCOL
<i>TPL</i>	<= TPL_APPLICATION
<i>New GUID name</i>	EFI_SIMPLE_INPUT_PROTOCOL_GUID
SIMPLE_TEXT_OUTPUT_INTERFACE	EFI_SIMPLE_TEXT_OUTPUT_PROTOCOL
<i>TPL</i>	<=TPL_CALLBACK
<i>New GUID name</i>	EFI_SIMPLE_TEXT_OUTPUT_PROTOCOL_GUID
SERIAL_IO_INTERFACE	EFI_SERIAL_IO_PROTOCOL
<i>TPL</i>	<=TPL_CALLBACK
<i>New GUID name</i>	EFI_SERIAL_IO_PROTOCOL_GUID
EFI_LOAD_FILE_INTERFACE	EFI_LOAD_FILE_PROTOCOL
<i>TPL</i>	<= TPL_NOTIFY
<i>New GUID name</i>	EFI_LOAD_FILE_PROTOCOL_GUID
EFI_FILE_IO_INTERFACE	EFI_SIMPLE_FILE_SYSTEM_PROTOCOL
<i>TPL</i>	<=TPL_CALLBACK
<i>New GUID name</i>	EFI_FILE_SYSTEM_PROTOCOL_GUID
EFI_FILE	EFI_FILE_PROTOCOL
<i>TPL</i>	<= TPL_CALLBACK

<b>EFI 11.0 Protocol Name</b>	<b>UEFI 2.0 Protocol Name</b>
<i>New GUID name</i>	EFI_FILE_PROTOCOL_GUID
EFI_DISK_IO	EFI_DISK_IO_PROTOCOL
<i>TPL</i>	<=TPL_CALLBACK
<i>New GUID name</i>	EFI_DISK_IO_PROTOCOL_GUID
EFI_BLOCK_IO	EFI_BLOCK_IO_PROTOCOL
<i>TPL</i>	<=TPL_CALLBACK
<i>New GUID name</i>	EFI_BLOCK_IO_PROTOCOL_GUID
UNICODE_COLLATION_INTERFACE	EFI_UNICODE_COLLATION_PROTOCOL
<i>TPL</i>	<= TPL_NOTIFY
<i>New GUID name</i>	EFI_UNICODE_COLLATION_PROTOCOL_GUID
EFI_SIMPLE_NETWORK	EFI_SIMPLE_NETWORK_PROTOCOL
<i>TPL</i>	<=TPL_CALLBACK
<i>New GUID name</i>	EFI_SIMPLE_NETWORK_PROTOCOL_GUID
EFI_NETWORK_INTERFACE_IDENTIFIER_INTERFACE	EFI_NETWORK_INTERFACE_IDENTIFIER_PROTOCOL
<i>TPL</i>	<= TPL_NOTIFY
<i>New GUID name</i>	EFI_NETWORK_INTERFACE_IDENTIFIER_PROTOCOL_GUID
EFI_PXE_BASE_CODE	EFI_PXE_BASE_CODE_PROTOCOL
<i>TPL</i>	<= TPL_NOTIFY
<i>New GUID name</i>	EFI_PXE_BASE_CODE_PROTOCOL_GUID
EFI_PXE_BASE_CODE_CALLBACK	EFI_PXE_BASE_CODE_CALLBACK_PROTOCOL
<i>TPL</i>	<= TPL_NOTIFY
<i>New GUID name</i>	EFI_PXE_BASE_CODE_CALLBACK_PROTOCOL_GUID
EFI_DEVICE_IO_INTERFACE	EFI_DEVICE_IO_PROTOCOL
<i>TPL</i>	<= TPL_NOTIFY
<i>New GUID name</i>	EFI_DEVICE_IO_PROTOCOL_GUID

Table 187. Revision Identifier Name Changes

EFI 11.0 Revision Identifier Name	UEFI 2.0 Revision Identifier Name
EFI_LOADED_IMAGE_INFORMATION_REVISION	EFI_LOADED_IMAGE_PROTOCOL_REVISION
SERIAL_IO_INTERFACE_REVISION	EFI_SERIAL_IO_PROTOCOL_REVISION
EFI_FILE_IO_INTERFACE_REVISION	EFI_SIMPLE_FILE_SYSTEM_PROTOCOL_REVISION
EFI_FILE_REVISION	EFI_FILE_PROTOCOL_REVISION
EFI_DISK_IO_INTERFACE_REVISION	EFI_DISK_IO_PROTOCOL_REVISION
EFI_BLOCK_IO_INTERFACE_REVISION	EFI_BLOCK_IO_PROTOCOL_REVISION
EFI_SIMPLE_NETWORK_INTERFACE_REVISION	EFI_SIMPLE_NETWORK_PROTOCOL_REVISION
EFI_NETWORK_INTERFACE_IDENTIFIER_INTERFACE_REVISION	EFI_NETWORK_INTERFACE_IDENTIFIER_PROTOCOL_REVISION

EFI_PXE_BASE_CODE_INTERFACE_REVISION	EFI_PXE_BASE_CODE_PROTOCOL_REVISION
EFI_PXE_BASE_CODE_CALLBACK_INTERFACE_REVISION	EFI_PXE_BASE_CODE_CALLBACK_PROTOCOL_REVISION

## L.2 Deprecated Protocols

**Device I/O Protocol** – The support of the Device I/O Protocol (see EFI 1.1 Chapter 18) has been replaced by the use of the **PCI Root Bridge I/O** protocols which are described in Chapter 13.2 of the UEFI 2.0 specification. Note: certain “legacy” EFI applications such as some of the ones that reside in the EFI Toolkit assume the presence of Device I/O.

**UGA I/O + UGA Draw Protocol** – The support of the UGA \* Protocols (see EFI 1.1 Section 10.7) have been replaced by the use of the **EFI Graphics Output Protocol** described in Chapter 11.7 of the UEFI 2.0 specification.

**USB Host Controller Protocol** (version that existed for EFI 1.1) – The support of the USB Host Controller Protocol (see EFI 1.1 Section 14.1) has been replaced by the use of a UEFI 2.0 instance that covers both USB 1.1 and USB 2.0 support, and is described in Chapter 16.1 of the UEFI 2.0 specification. It replaces the pre-existing protocol definition.

**SCSI Passthru Protocol** – The support of the SCSI Passthru Protocol (see EFI 1.1 Section 13.1) has been replaced by the use of the **Extended SCSI Passthru Protocol** which is described in Chapter 14.8 of the UEFI 2.0 specification.

**BIS Protocol** – Remains as an optional protocol.

See the *UEFI Differences Document* for details.





# Appendix M

## Formats--Language Codes and Language Code Arrays

---

This appendix lists the formats for language codes and language code arrays.

### *Specifying individual language codes*

The preferred representation of a language code is done via an RFC 3066 language code identifier\*.

\*The following alias codes are also supported in addition to RFC 3066:

RFC string	Supported Alias String
------------	------------------------

zh-Hans	zh-chs
---------	--------

zh-Hant	zh-cht
---------	--------

An RFC 3066 language code is represented as a NULL terminated char8 string.

To provide backwards compatibility with preexisting EFI 1.10 drivers, a UEFI platforms may support deprecated protocols which represent languages in the ISO 639-2 format. This includes the following protocols: `UNICODE_COLLATION_INTERFACE`,

`EFI_DRIVER_CONFIGURATION_PROTOCOL`,

`EFI_DRIVER_DIAGNOSTICS_PROTOCOL`, and `EFI_COMPONENT_NAME_PROTOCOL`.

The deprecated `LangCodes` and `Lang` global variables may also be supported by a platform for backwards compatibility.

### *Specifying language code arrays:*

Native RFC 3066 format array:

An array of RFC 3066 character codes is represented as a NULL terminated char8 array of RFC 3066 language code strings. Each of these strings is delimited by a semicolon (;) character. For example, an array of US English and Traditional Chinese would be represented as the NULL-terminated string "en-us;zh-Hant".



# Glossary

---

- \_ADR** A reserved name in [ACPI](#) name space. It refers to an address on a bus that has standard enumeration. An example would be PCI, where the enumeration method is described in the PCI Local Bus specification.
- \_CRS** A reserved name in [ACPI](#) name space. It refers to the current resource setting of a device. A **\_CRS** is required for devices that are not enumerated in a standard fashion. **\_CRS** is how ACPI converts nonstandard devices into Plug and Play devices.
- \_HID** A reserved name in [ACPI](#) name space. It represents a device's plug and play hardware ID and is stored as a 32-bit compressed EISA ID. **\_HID** objects are optional in ACPI. However, a **\_HID** object must be used to describe any device that will be enumerated by the ACPI driver in the OS. This is how ACPI deals with non-Plug and Play devices.
- \_UID** A reserved name in [ACPI](#) name space. It is a serial number style ID that does not change across reboots. If a system contains more than one device that reports the same [\\_HID](#), each device must have a unique **\_UID**. The **\_UID** only needs to be unique for device that have the exact same **\_HID** value.

## ACPI Device Path

A [Device Path](#) that is used to describe devices whose enumeration is not described in an industry-standard fashion. These devices must be described using ACPI AML in the [ACPI](#) name space; this type of node provides linkage to the ACPI name space.

**ACPI** Refers to the *Advanced Configuration and Power Interface Specification* and to the concepts and technology it discusses. The specification defines a new interface to the system board that enables the operating system to implement operating system-directed power management and system configuration.

**Base Code (BC)** The [PXE](#) Base Code, included as a core protocol in [EFI](#), is comprised of a simple network stack (UDP/IP) and a few common network protocols ([DHCP](#), Bootserver Discovery, [TFTP](#)) that are useful for remote booting machines.

**BC** See [Base Code](#)

**Big Endian** A memory architecture in which the low-order byte of a multibyte datum is at the highest address, while the high-order byte is at the lowest address. See [Little Endian](#).

## BIOS Boot Specification Device Path

A [Device Path](#) that is used to point to boot legacy operating systems; it is based on the *BIOS Boot Specification*, Version 1.01.

**BIOS Parameter Block (BPB)**

The first block (sector) of a partition. It defines the type and location of the [FAT File System](#) on a drive.

**BIOS** Basic Input/Output System. A collection of low-level I/O service routines.

**Block I/O Protocol**

A protocol that is used during boot services to abstract mass storage devices. It allows boot services code to perform block I/O without knowing the type of a device or its controller.

**Block Size** The fundamental allocation unit for devices that support the [Block I/O Protocol](#). Not less than 512 bytes. This is commonly referred to as sector size on hard disk drives.

**Boot Device** The [device handle](#) that corresponds to the device from which the currently executing image was loaded.

**Boot Manager** The part of the firmware implementation that is responsible for implementing system boot policy. Although a particular boot manager implementation is not specified in this document, such code is generally expected to be able to enumerate and handle transfers of control to the available OS loaders as well as UEFI applications and drivers on a given system. The boot manager would typically be responsible for interacting with the system user, where applicable, to determine what to load during system startup. In cases where user interaction is not indicated, the boot manager would determine what to load and, if multiple items are to be loaded, what the sequencing of such loads would be.

**Boot Services Driver**

A program that is loaded into boot services memory and stays resident until boot services terminates.

**Boot Services Table**

A table that contains the firmware entry points for accessing boot services functions such as [Task Priority Services](#) and [Memory Allocation Services](#). The table is accessed through a pointer in the [System Table](#).

**Boot Services Time**

The period of time between platform initialization and the call to [ExitBootServices\(\)](#). During this time, [EFI drivers](#) and applications are loaded iteratively and the system boots from an ordered list of EFI OS loaders.

**Boot Services** The collection of interfaces and protocols that are present in the boot environment. The services minimally provide an OS loader with access to platform capabilities required to complete OS boot. Services are also available to drivers and applications that need access to platform capability. Boot services are terminated once the operating system takes control of the platform.

**BPB** See [BIOS Parameter Block](#).

<b>CIM</b>	See <a href="#">Common Information Model</a> .
<b>Cluster</b>	A collection of disk sectors. Clusters are the basic storage units for disk files. See <a href="#">File Allocation Table</a> .
<b>COFF</b>	Common Object File Format, a standard file format for binary images.
<b>Coherency Domain</b>	<ol style="list-style-type: none"> <li>(1) The global set of resources that is visible to at least one processor in a platform.</li> <li>(2) The address resources of a system as seen by a processor. It consists of both system memory and I/O space.</li> </ol>
<b>Common Information Model (CIM)</b>	An object-oriented schema defined by the <a href="#">DMTF</a> . CIM is an information model that provides a common way to describe and share management information enterprise-wide.
<b>Console I/O Protocol</b>	A protocol that is used during <a href="#">boot services</a> to handle input and output of text-based information intended for the system administrator. It has two parts, a <a href="#">Simple Input Protocol</a> that is used to obtain input from the <a href="#">ConsoleIn</a> device and a <a href="#">Simple Text Output Protocol</a> that is used to control text-based output devices. The <a href="#">Console I/O Protocol</a> is also known as the EFI Console I/O Protocol.
<b>ConsoleIn</b>	The device handle that corresponds to the device used for user input in the boot services environment. Typically the system keyboard.
<b>ConsoleOut</b>	The device handle that corresponds to the device used to display messages to the user from the boot services environment. Typically a display screen.
<b>Desktop Management Interface (DMI)</b>	<p>A platform management information framework, built by the <a href="#">DMTF</a> and designed to provide manageability for desktop and server computing platforms by providing an interface that is:</p> <ol style="list-style-type: none"> <li>(1) independent of any specific desktop operating system, network operating system, network protocol, management protocol, processor, or hardware platform;</li> <li>(2) easy for vendors to implement; and</li> <li>(3) easily mapped to higher-level protocols.</li> </ol>
<b>Desktop Management Task Force (DMTF)</b>	The DMTF is a standards organization comprised of companies from all areas of the computer industry. Its purpose is to create the standards and infrastructure for cost-effective management of PC systems.
<b>Device Handle</b>	A handle points to a list of one or more protocols that can respond to requests for services for a given device referred to by the handle.

**Device I/O Protocol**

A protocol that is used during boot services to access memory and I/O. Also called the [EFI Device I/O Protocol](#).

**Device Path Instance**

When an environment variable represents multiple devices, it is possible for a device path to contain multiple device paths. An example of this would be the [ConsoleOut](#) environment variable that consists of both a VGA console and a serial output console. This environment variable would describe a console output stream that would send output to both devices and therefore has a Device Path that consists of two complete device paths. Each of these paths is a device path instance.

**Device Path Node**

A variable-length generic data structure that is used to build a device path. Nodes are distinguished by type, subtype, length, and path-specific data. See [Device Path](#).

**Device Path Protocol**

A protocol that is used during boot services to provide the information needed to construct and manage Device Paths. Also called the EFI [Device Path Protocol](#).

**Device Path**

A variable-length binary data structure that is composed of variable-length generic device path nodes and is used to define the programmatic path to a logical or physical device. There are six major types of device paths: [Hardware Device Path](#), [ACPI Device Path](#), [Messaging Device Path](#), [Media Device Path](#), [BIOS Boot Specification Device Path](#), and [End Of Hardware Device Path](#).

**DHCP**

See [Dynamic Host Configuration Protocol](#).

**Disk I/O Protocol**

A protocol that is used during boot services to abstract Block I/O devices to allow non-block-sized I/O operations. Also called the EFI Disk I/O Protocol.

**DMI**

See [Desktop Management Interface](#).

**DMTF**

See [Desktop Management Task Force](#).

**Dynamic Host Configuration Protocol (DHCP)**

A protocol that is used to get information from a configuration server. DHCP is defined by the [Desktop Management Task Force](#), not [EFI](#).

**EBC Image**

Executable EBC image following the PE32 file format.

**EBC**

See [EFI Byte Code](#).

**EFI**

Extensible Firmware Interface. An interface between the operating system (OS) and the platform firmware.

- EFI Application** Modular code that may be loaded in the boot services environment to accomplish platform specific tasks within that environment. Examples of possible applications might include diagnostics or disaster recovery tools shipped with a platform that run outside the OS environment. Applications may be loaded in accordance with policy implemented by the platform firmware to accomplish a specific task. Control is then returned from the application to the platform firmware.
- EFI Byte Code (EBC)**  
The binary encoding of instructions as output by the EBC C compiler and linker. The [EBC image](#) is executed by the interpreter.
- EFI Driver** A module of code typically inserted into the firmware via protocol interfaces. Drivers may provide device support during the boot process or they may provide platform services. It is important not to confuse drivers in this specification with OS drivers that load to provide device support once the OS takes control of the platform.
- EFI File** A container consisting of a number of blocks that holds an image or a data file within a file system that complies with this specification.
- EFI Hard Disk** A hard disk that supports the new EFI partitioning scheme ([GUID Partitions](#)).
- EFI OS Loader** The first piece of operating system code loaded by the firmware to initiate the OS boot process. This code is loaded at a fixed address and then executed. The OS takes control of the system prior to completing the OS boot process by calling the interface that terminates all boot services.
- EFI-compliant** Refers to a platform that complies with this specification.
- EFI-conformant** See [EFI-compliant](#).
- End of Hardware Device Path**  
A Device Path which, depending on the subtype, is used to indicate the end of the Device Path instance or Device Path structure.
- Enhanced Mode (EM)**  
The 64-bit architecture extension that makes up part of the Intel® Itanium® architecture.
- Event Services** The set of functions used to manage events. Includes [CheckEvent\(\)](#), [CreateEvent\(\)](#), [CloseEvent\(\)](#), [SignalEvent\(\)](#), and [WaitForEvent\(\)](#).
- Event** An EFI data structure that describes an “event”—for example, the expiration of a timer.

**Event Services** The set of functions used to manage events. Includes [CheckEvent\(\)](#), [CreateEvent\(\)](#), [CreateEventEx\(\)](#), [CloseEvent\(\)](#), [SignalEvent\(\)](#), and [WaitForEvent\(\)](#).

**FAT File System** The file system on which the [EFI file](#) system is based. See [File Allocation Table](#) and [System Partition](#).

**FAT** See [File Allocation Table](#).

### **File Allocation Table (FAT)**

A table that is used to identify the clusters that make up a disk file. File allocation tables come in three flavors: FAT12, which uses 12 bits for cluster numbers; FAT16, which uses 16 bits; and FAT32, which allots 32 bits but only uses 28 (the other 4 bits are reserved for future use).

### **File Handle Protocol**

A component of the [File System Protocol](#). It provides access to a file or directory. Also called the EFI File Handle Protocol.

### **File System Protocol**

A protocol that is used during boot services to obtain file-based access to a device. It has two parts, a [Simple File System Protocol](#) that provides a minimal interface for file-type access to a device, and a [File Handle Protocol](#) that provides access to a file or directory.

**Firmware** Any software that is included in read-only memory (ROM).

### **Globally Unique Identifier (GUID)**

A 128-bit value used to differentiate services and structures in the boot services environment. The format of a **GUID** is defined in Appendix A. See [Protocol](#).

### **GUID Partition Entry**

A data structure that characterizes a [GUID Partition](#). Among other things, it specifies the starting and ending LBA of the partition.

### **GUID Partition Table Header**

The header in a [GUID Partition Table](#). Among other things, it contains the number of partition entries in the table and the first and last blocks that can be used for the entries.

### **GUID Partition Table**

A data structure that describes a [GUID Partition](#). It consists of an [GUID Partition Table Header](#) and, typically, at least one [GUID Partition Entry](#). There are two partition tables on an [EFI Hard Disk](#): the Primary Partition Table (located in block 1 of the disk) and a Backup Partition Table (located in the last block of the disk). The Backup Table is a copy of the Primary Table.

**GUID Partition** A contiguous group of sectors on an [EFI Hard Disk](#).



**Handle** See [Device Handle](#).

**Hardware Device Path**

A Device Path that defines how a hardware device is attached to the resource domain of a system (the resource domain is simply the shared memory, memory mapped I/O, and I/O space of the system).

**IA-32** See [Intel Architecture-32](#).

**Image Handle** A handle for a loaded image; image handles support the loaded image protocol.

**Image Handoff State**

The information handed off to a loaded image as it begins execution; it consists of the image's handle and a pointer to the image's system table.

**Image Header** The initial set of bytes in a loaded image. They define the image's encoding.

**Image Services** The set of functions used to manage EFI images. Includes [LoadImage \(\)](#), [StartImage \(\)](#), [UnloadImage \(\)](#), [Exit \(\)](#), [ExitBootServices \(\)](#), and [EFI IMAGE ENTRY POINT](#).

**Image** (1) An executable file stored in a file system that complies with this specification. Images may be drivers, applications or OS loaders. Also called an EFI Image.

(2) Executable binary file containing [EBC](#) and data. Output by the EBC linker.

**Intel® Architecture-32 (IA-32)**

The 32-bit and 16-bit architecture described in the *Intel Architecture Software Developer's Manual*. IA-32 is the architecture of the Intel® P6 family of processors, which includes the Intel® Pentium® Pro, Pentium II, Pentium III, and Pentium 4 processors.

**Intel® Itanium® Architecture**

The Intel architecture that has 64-bit instruction capabilities, new performance-enhancing features, and support for the IA-32 instruction set. This architecture is described in the *Itanium™ Architecture Software Developer's Manual*.

**Interpreter** The software implementation that decodes [EBC](#) binary instructions and executes them on a VM. Also called EBC interpreter.

**LAN On Motherboard (LOM)**

This is a network device that is built onto the motherboard (or baseboard) of the machine.

**Legacy Platform** A platform which, in the interests of providing backward-compatibility, retains obsolete technology.

**LFN** See [Long File Names](#).

**Little Endian** A memory architecture in which the low-order byte of a multibyte datum is at the lowest address, while the high-order byte is at the highest address. See [Big Endian](#).

**Load File Protocol**

A protocol that is used during boot services to find and load other modules of code.

**Loaded Image Protocol**

A protocol that is used during boot services to obtain information about a loaded image. Also called the EFI Loaded Image Protocol.

**Loaded Image** A file containing executable code. When started, a loaded image is given its image handle and can use it to obtain relevant image data.

**LOM** See [LAN On Motherboard](#).

**Long File Names (LFN)**

Refers to an extension to the [FAT File System](#) that allows file names to be longer than the original standard (eight characters plus a three-character extension).

**Machine Check Abort (MCA)**

The system management and error correction facilities built into the Intel Itanium processors.

**Master Boot Record (MBR)**

The data structure that resides on the first sector of a hard disk and defines the partitions on the disk.

**MBR** See [Master Boot Record](#).

**MCA** See [Machine Check Abort](#).

**Media Device Path**

A Device Path that is used to describe the portion of a medium that is being abstracted by a boot service. For example, a Media Device Path could define which partition on a hard drive was being used.

**Memory Allocation Services**

The set of functions used to allocate and free memory, and to retrieve the memory map. Includes [AllocatePages \(\)](#), [FreePages \(\)](#), [AllocatePool \(\)](#), [FreePool \(\)](#), and [GetMemoryMap \(\)](#).

- Memory Map** A collection of structures that defines the layout and allocation of system memory during the boot process. Drivers and applications that run during the boot process prior to OS control may require memory. The boot services implementation is required to ensure that an appropriate representation of available and allocated memory is communicated to the OS as part of the hand-off of control.
- Memory Type** One of the memory types defined by UEFI for use by the firmware and UEFI applications. Among others, there are types for boot services code, boot services data, [runtime services](#) code, and runtime services data. Some of the types are used for one purpose before [ExitBootServices\(\)](#) is called and another purpose after.
- Messaging Device Path**  
A Device Path that is used to describe the connection of devices outside the [Coherency Domain](#) of the system. This type of node can describe physical messaging information (e.g., a SCSI ID) or abstract information (e.g., networking protocol IP addresses).
- Miscellaneous Services**  
Various functions that are needed to support the [EFI](#) environment. Includes [InstallConfigurationTable\(\)](#), [ResetSystem\(\)](#), [Stall\(\)](#), [SetWatchdogTimer\(\)](#), [GetNextMonotonicCount\(\)](#), and [GetNextHighMonotonicCount\(\)](#).
- MTFTP** See [Multicast Trivial File Transfer Protocol](#).
- Multicast Trivial File Transfer Protocol (MTFTP)**  
A [protocol](#) used to download a [Network Boot Program](#) to many clients simultaneously from a [TFTP](#) server.
- Name Space** In general, a collection of device paths; in an EFI Device Path.
- Native Code** Low level instructions that are native to the host processor. As such, the processor executes them directly with no overhead of interpretation. Contrast this with [EBC](#), which must be interpreted by native code to operate on a [VM](#).
- NBP** See [Network Bootstrap Program](#) or [Network Boot Program](#).
- Network Boot Program**  
A remote boot image downloaded by a [PXE](#) client using the [Trivial File Transfer Protocol](#) or the [Multicast Trivial File Transfer Protocol](#). See [Network Bootstrap Program](#).

### **Network Bootstrap Program (NBP)**

This is the first program that is downloaded into a machine that has selected a PXE capable device for remote boot services.

A typical NBP examines the machine it is running on to try to determine if the machine is capable of running the next layer (OS or application). If the machine is not capable of running the next layer, control is returned to the [EFI](#) boot manager and the next boot device is selected. If the machine is capable, the next layer is downloaded and control can then be passed to the downloaded program.

Though most NBPs are OS loaders, NBPs can be written to be standalone applications such as diagnostics, backup/restore, remote management agents, browsers, etc.

### **Network Interface Card (NIC)**

Technically, this is a network device that is inserted into a bus on the motherboard or in an expansion board. For the purposes of this document, the term NIC will be used in a generic sense, meaning any device that enables a network connection (including [LOMs](#) and network devices on external buses (USB, 1394, etc.)).

**NIC** See [Network Interface Card](#).

**Page Memory** A set of contiguous pages. Page memory is allocated by [AllocatePages \(\)](#) and returned by [FreePages \(\)](#).

### **Partition Discovery**

The process of scanning a block device to determine whether it contains a [Partition](#).

**Partition** See [System Partition](#).

**PC-AT** Refers to a PC platform that uses the AT form factor for their motherboards.

**PCI Bus Driver** Software that creates a handle for every [PCI controller](#) on a [PCI Host Bus Controller](#) and installs both the [PCI I/O Protocol](#) and the [Device Path Protocol](#) onto that handle. It may optionally perform [PCI Enumeration](#) if resources have not already been allocated to all the PCI Controllers on a PCI Host Bus Controller. It also loads and starts any UEFI drivers found in any PCI Option ROMs discovered during PCI Enumeration. If a driver is found in a [PCI Option ROM](#), the [PCI Bus Driver](#) will also attach the Bus Specific Driver Override Protocol to the handle for the PCI Controller that is associated with the PCI Option ROM that the driver was loaded from.

**PCI Bus** A collection of up to 32 physical [PCI Devices](#) that share the same physical PCI bus. All devices on a PCI Bus share the same [PCI Configuration Space](#).

**PCI Configuration Space**

The configuration channel defined by PCI to configure [PCI Devices](#) into the resource domain of the system. Each PCI device must produce a standard set of registers in the form of a PCI Configuration Header, and can optionally produce device specific registers. The registers are addressed via Type 0 or Type 1 PCI Configuration Cycles as described by the *PCI Specification*. The PCI Configuration Space can be shared across multiple [PCI Buses](#). On most [PC-AT](#) architecture systems and typical Intel® chipsets, the PCI Configuration Space is accessed via I/O ports 0xCF8 and 0xCFC. Many other implementations are possible.

**PCI Controller** A hardware components that is discovered by a [PCI Bus Driver](#), and is managed by a [PCI Device Driver](#). [PCI Function](#) and [PCI Controller](#) are used equivalently in this document.

**PCI Device Driver**

Software that manages one or more PCI Controllers of a specific type. A driver will use the [PCI I/O Protocol](#) to produce a device I/O abstraction in the form of another protocol (i.e. Block I/O, Simple Network, Simple Input, Simple Text Output, Serial I/O, Load File).

**PCI Device** A collection of up to 8 [PCI Functions](#) that share the same [PCI Configuration Space](#). A PCI Device is physically connected to a [PCI bus](#).

**PCI Enumeration**

The process of assigning resources to all the PCI Controllers on a given [PCI Host Bus Controller](#). This includes PCI Bus Number assignments, PCI Interrupt assignments, PCI I/O resource allocation, the PCI Memory resource allocation, the PCI Prefetchable Memory resource allocation, and miscellaneous PCI DMA settings.

**PCI Function** A controller that provides some type of I/O services. It consumes some combination of PCI I/O, PCI Memory, and PCI Prefetchable Memory regions, and up to 256 bytes of the [PCI Configuration Space](#). The PCI Function is the basic unit of configuration for PCI.

**PCI Host Bus Controller**

A chipset component that produces PCI I/O, PCI Memory, and PCI Prefetchable Memory regions in a single Coherency Domain. A PCI Host Bus Controller is composed of one or more [PCI Root Bridges](#).

**PCI I/O Protocol** A software interface that provides access to PCI Memory, PCI I/O, and PCI Configuration spaces for a PCI Controller. It also provides an abstraction for PCI Bus Master DMA.

**PCI Option ROM**

A ROM device that is accessed through a PCI Controller, and is described in the PCI Controller's Configuration Header. It may contain one or more [PCI Device Drivers](#) that are used to manage the PCI Controller.

**PCI Root Bridge I/O Protocol**

A software abstraction that provides access to the PCI I/O, PCI Memory, and PCI Prefetchable Memory regions in a single Coherency Domain.

**PCI Root Bridge** A chipset component(s) that produces a physical PCI Local Bus.

**PCI Segment** A collection of up to 256 [PCI Buses](#) that share the same [PCI Configuration Space](#). PCI Segment is defined in Section 6.5.6 of the *ACPI 2.0 Specification* as the `_SEG` object. The `SAL_PCI_CONFIG_READ` and `SAL_PCI_CONFIG_WRITE` procedures defined in chapter 9 of the *SAL Specification* define how to access the PCI Configuration Space in a system that supports multiple PCI Segments. If a system only supports a single PCI Segment the PCI Segment number is defined to be zero. The existence of PCI Segments enables the construction of systems with greater than 256 PCI buses.

**Pool Memory** A set of contiguous bytes. A pool begins on, but need not end on, an "8-byte" boundary. Pool memory is allocated in pages—that is, firmware allocates enough contiguous pages to contain the number of bytes specified in the allocation request. Hence, a pool can be contained within a single page or extend across multiple pages. Pool memory is allocated by [AllocatePool \(\)](#) and returned by [FreePool \(\)](#).

## Preboot Execution Environment (PXE)

A means by which agents can be loaded remotely onto systems to perform management tasks in the absence of a running OS. To enable the interoperability of clients and downloaded bootstrap programs, the client preboot code must provide a set of services for use by a downloaded bootstrap. It also must ensure certain aspects of the client state at the point in time when the bootstrap begins executing.

The complete PXE specification covers three areas; the client, the network and the server.

### Client

- Makes network devices into bootable devices.
- Provides APIs for PXE protocol modules in **EFI** and for universal drivers in the OS.

### Network

- Uses existing technology: [DHCP](#), [TFTP](#), etc.
- Adds “vendor-specific” tags to DHCP to define PXE-specific operation within DHCP.
- Adds multicast TFTP for high bandwidth remote boot applications.
- Defines Bootserver discovery based on DHCP packet format.

### Server

**Bootserver:** Responds to Bootserver discovery requests and serves up remote boot images.

**proxyDHCP:** Used to ease the transition of PXE clients and servers into existing network infrastructure. proxyDHCP provides the additional [DHCP](#) information that is needed by PXE clients and Bootservers without making changes to existing DHCP servers.

**MTFTP:** Adds multicast support to a [TFTP](#) server.

**Plug-In Modules:** Example proxyDHCP and Bootservers provided in the [PXE](#) SDK (software development kit) have the ability to take plug-in modules (PIMs). These PIMs are used to change/enhance the capabilities of the proxyDHCP and Bootservers.

## Protocol Handler Services

The set of functions used to manipulate handles, protocols, and protocol interfaces. Includes [InstallProtocolInterface\(\)](#), [UninstallProtocolInterface\(\)](#), [ReinstallProtocolInterface\(\)](#), [HandleProtocol\(\)](#), [RegisterProtocolNotify\(\)](#), [LocateHandle\(\)](#), and [LocateDevicePath\(\)](#).

## Protocol Handler

A function that responds to a call to a [HandleProtocol](#) request for a given handle. A protocol handler returns a protocol interface structure.

**Protocol Interface Structure**

The set of data definitions and functions used to access a particular type of device. For example, BLOCK\_IO is a protocol that encompasses interfaces to read and write blocks from mass storage devices. See [Protocol](#).

**Protocol Revision Number**

The revision number associated with a protocol. See [Protocol](#).

**Protocol**

The information that defines how to access a certain type of device during boot services. A protocol consists of a [GUID](#), a protocol revision number, and a protocol interface structure. The interface structure contains data definitions and a set of functions for accessing the device. A device can have multiple protocols. Each protocol is accessible through the device's handle.

**PXE Base Code Protocol**

A protocol that is used to control PXE-compatible devices. It may be used by the firmware's boot manager to support booting from remote locations. Also called the EFI PXE Base Code Protocol.

**PXE**

See [Preboot Execution Environment](#).

**Read-Only Memory (ROM)**

When used with reference to the [UNDI](#) specification, ROM refers to a nonvolatile memory storage device on a [NIC](#).

**ROM**

See [Read-Only Memory](#).

**Runtime Services Driver**

A program that is loaded into runtime services memory and stays resident during runtime.

**Runtime Services Table**

A table that contains the firmware entry points for accessing runtime services functions such as [Time Services](#) and [Virtual Memory Services](#). The table is accessed through a pointer in the [System Table](#).

**Runtime Services**

Interfaces that provide access to underlying platform specific hardware that may be useful during OS runtime, such as timers. These services are available during the boot process but also persist after the OS loader terminates boot services.

**SAL**

See [System Abstraction Layer](#).

**Serial I/O Protocol**

A [protocol](#) that is used during boot services to abstract byte stream devices—that is, to communicate with character-based I/O devices.



**Simple File System Protocol**

A component of the [File System Protocol](#). It provides a minimal interface for file-type access to a device.

**Simple Input Protocol**

A **protocol** that is used to obtain input from the ConsoleIn device. It is one of two protocols that make up the [Console I/O Protocol](#).

**Simple Network Protocol**

A protocol that is used to provide a packet-level interface to a network adapter. Also called the EFI Simple Network Protocol.

**Simple Text Output Protocol**

A protocol that is used to control text-based output devices. It is one of two protocols that make up the [Console I/O Protocol](#).

**SMBIOS**

See [System Management BIOS](#).

**StandardError**

The device handle that corresponds to the device used to display error messages to the user from the boot services environment.

**Status Codes**

Success, error, and warning codes returned by boot services and runtime services functions.

**String**

All strings in this specification are implemented in [Unicode](#).

**System Abstraction Layer (SAL)**

Firmware that abstracts platform implementation differences, and provides the basic platform software interface to all higher level software.

**System Management BIOS (SMBIOS)**

A table-based interface that is required by the *Wired for Management Baseline Specification*. It is used to relate platform-specific management information to the OS or to an OS-based management agent.

**System Partition**

A section of a block device that is treated as a logical whole. For a hard disk with a legacy partitioning scheme, it is a contiguous grouping of sectors whose starting sector and size are defined by the [Master Boot Record](#). For an [EFI Hard Disk](#), it is a contiguous grouping of sectors whose starting sector and size are defined by the [GUID Partition Table Header](#) and the associated [GUID Partition Entries](#). For “El Torito” devices, it is a logical device volume. For a diskette (floppy) drive, it is defined to be the entire medium (the term “diskette” includes legacy 3.5” diskette drives as well as newer media such as the Iomega Zip drive). System Partitions can reside on any medium that is supported by EFI boot services. System Partitions support backward compatibility with legacy Intel architecture systems by reserving the first block (sector) of the partition for compatibility code.

## System Table

Table that contains the standard input and output handles for a UEFI application, as well as pointers to the boot services and runtime services tables. It may also contain pointers to other standard tables such as the [ACPI](#), [SMBIOS](#), and [SAL](#) System tables. A loaded image receives a pointer to its system table when it begins execution. Also called the EFI System Table.

## Task Priority Level (TPL)

The boot services environment exposes three task priority levels: “normal,” “callback,” and “notify.”

## Task Priority Services

The set of functions used to manipulate task priority levels. Includes [RaiseTPL\(\)](#) and [RestoreTPL\(\)](#).

## TFTP

See [Trivial File Transport Protocol](#).

## Time Format

The format for expressing time in an [EFI-compliant](#) platform. For more information, see Appendix A.

## Time Services

The set of functions used to manage time. Includes [GetTime\(\)](#), [SetTime\(\)](#), [GetWakeupTime\(\)](#), and [SetWakeupTime\(\)](#).

## Timer Services

The set of functions used to manipulate timers. Contains a single function, [SetTimer\(\)](#).

## TPL

See [Task Priority Level](#).

## Trivial File Transport Protocol (TFTP)

A protocol used to download a [Network Boot Program](#) from a TFTP server.

## UNDI

See [Universal Network Device Interface](#).

## Unicode Collation Protocol

A protocol that is used during boot services to perform case-insensitive comparisons of Unicode strings.

## Unicode

An industry standard internationalized character set used for human readable message display.

## Universal Network Device Interface (UNDI)

UNDI is an architectural interface to [NICs](#). Traditionally NICs have had custom interfaces and custom drivers (each NIC had a driver for each OS on each platform architecture). Two variations of UNDI are defined in this specification: H/W UNDI and S/W UNDI. H/W UNDI is an architectural hardware interface to a NIC. S/W UNDI is a software implementation of the H/W UNDI.

**Universal Serial Bus (USB)**

A bi-directional, isochronous, dynamically attachable serial interface for adding peripheral devices such as serial ports, parallel ports, and input devices on a single bus.

**USB Bus Driver** Software that enumerates and creates a handle for each newly attached USB Controller and installs both the [USB I/O Protocol](#) and the Device Path Protocol onto that handle, starts that device driver if applicable. For each newly detached USB Controller, the device driver is stopped, the USB I/O Protocol and the Device Path Protocol are uninstalled from the device handle, and the device handle is destroyed.

**USB Bus** A collection of up to 127 physical [USB Devices](#) that share the same physical USB bus. All devices on a USB Bus share the bandwidth of the USB Bus.

**USB Controller** A hardware component that is discovered by a [USB Bus Driver](#), and is managed by a [USB Device Driver](#). [USB Interface](#) and [USB Controller](#) are used equivalently in this document.

**USB Device Driver**

Software that manages one or more [USB Controller](#) of a specific type. A driver will use the [USB I/O Protocol](#) to produce a device I/O abstraction in the form of another protocol (i.e. Block I/O, Simple Network, Simple Input, Simple Text Output, Serial I/O, Load File).

**USB Device** A USB peripheral that is physically attached to the [USB Bus](#).

**USB Enumeration**

A periodical process to search the [USB Bus](#) to detect if there have been any [USB Controller](#) attached or detached. If an attach event is detected, then the USB Controller's device address is assigned, and a child handle is created. If a detach event is detected, then the child handle is destroyed.

**USB Host Controller**

Moves data between system memory and devices on the [USB Bus](#) by processing data structures and generating the USB transactions. For USB 1.1, there are currently two types of USB Host Controllers: UHCI and OHCI.

**USB Hub**

A special [USB Device](#) through which more USB devices can be attached to the [USB Bus](#).

**USB I/O Protocol**

A software interface that provides services to manage a [USB Controller](#), and services to move data between a USB Controller and system memory.

**USB Interface**

The USB Interface is the basic unit of a physical [USB Device](#).

**USB**

See [Universal Serial Bus](#).

**Variable Services**

The set of functions used to manage variables. Includes [GetVariable\(\)](#), [SetVariable\(\)](#), and [GetNextVariableName\(\)](#).

**Virtual Memory Services**

The set of functions used to manage virtual memory. Includes [SetVirtualAddressMap\(\)](#) and [ConvertPointer\(\)](#).

**VM**

The Virtual Machine, a pseudo processor implementation consisting of registers which are manipulated by the interpreter when executing [EBC](#) instructions.

**Watchdog Timer**

An alarm timer that may be set to go off. This can be used to regain control in cases where a code path in the boot services environment fails to or is unable to return control by the expected path.

**WfM**

See [Wired for Management](#).

**Wired for Management (WfM)**

Refers to the *Wired for Management Baseline Specification*. The Specification defines a baseline for system manageability issues; its intent is to help lower the cost of computer ownership.

**x64**

Processors that are compatible with instruction sets and operation modes as exemplified by the AMD64 or Intel® Extended Memory 64 Technology (Intel® EM64T) architecture.

# References

---

## Related Information

The following publications and sources of information may be useful to you or are referred to by this specification:

- [BASE64] *RFC 1521: MIME (Multipurpose Internet Mail Extensions) Part One: Mechanisms for Specifying and Describing the Format of Internet Message Bodies*. Section 5.2: Base64 Content-Transfer-Encoding. <http://ftp.isi.edu/in-notes/rfc1521.txt>
- [PKCS] *The Public-Key Cryptography Standards*, RSA Laboratories, Redwood City, CA: RSA Data Security, Inc.
- [RFC 1700] J. Reynolds, J. Postel: Assigned Numbers | ISI, October 1994
- [RFC 2460] *Internet Protocol, Version 6 (IPv6) Specification*, <http://www.faqs.org/rfcs/rfc2460.html>
- [RFC 791] *Internet Protocol DARPA Internet Program Protocol (IPv4) Specification*, September 1981, <http://www.faqs.org/rfcs/rfc791.html>
- [SM spec] *Common Security: CDSA and CSSM*, Version 2 (with corrigenda), was *Signed Manifest Specification*, The Open Group, May 2000. <http://www.opengroup.org/pubs/catalog/c914.htm>
- “*El Torito*” *Bootable CD-ROM Format Specification*, Version 1.0, Phoenix Technologies, Ltd., IBM Corporation, 1994, <http://www.phoenix.com/en/support/white+papers-specs/>
- *Advanced Configuration and Power Interface Specification*, Intel, Microsoft, Toshiba, Compaq, and Phoenix, Revision 2.0, July 27, 2000, <http://acpi.info/index.html>
- **Address Resolution Protocol** – <http://www.ietf.org/rfc/rfc0826.txt>. Refer to Appendix E, “32/64-Bit UNDI Specification,” for more information.
- *Advanced Configuration and Power Interface Specification*, Revision 2.0, July 27, 2000, <http://www.acpi.info/spec.htm>
- **Assigned Numbers** – Lists the reserved numbers used in the RFCs and in this specification - <http://www.ietf.org/rfc/rfc1700.txt>. Refer to Appendix E, “32/64-Bit UNDI Specification,” for more information.
- *BIOS Boot Specification Version 1.01*, Compaq Computer Corporation, Phoenix Technologies Ltd., Intel Corporation, 1996, <http://www.phoenix.com/en/support/white+papers-specs/>
- **Bootstrap Protocol** – <http://www.ietf.org/rfc/rfc0951.txt> - This reference is included for backward compatibility. BC protocol supports DHCP and BOOTP. Refer to Appendix E, “32/64-Bit UNDI Specification,” for more information.
- *CAE Specification [UUID], DCE 1.1:Remote Procedure Call*, Document Number C706, *Universal Unique Identifier Appendix*, Copyright © 1997, The Open Group, <http://www.opengroup.org/onlinepubs/9629399/toc.htm>
- *Clarification to Plug and Play BIOS Specification Version 1.0*, <http://www.microsoft.com/hwdev/tech/pnp/>

- **Dynamic Host Configuration Protocol – DHCP** for Ipv4 (protocol: <http://www.ietf.org/rfc/rfc2131.txt>, options: <http://www.ietf.org/rfc/rfc2132.txt>). Refer to Appendix E, “32/64-Bit UNDI Specification,” for more information.
- *EFI Specification Version 1.02*, Intel Corporation, 2000, <http://developer.intel.com/technology/efi>.
- *File Verification Using CRC*, Mark R. Nelson, Dr. Dobbs, May 1994
- *Hardware Design Guide Version 3.0 for Microsoft Windows 2000 Server*, Intel Corporation, Microsoft Corporation, 2000, <http://developer.intel.com/design/servers/desguide/hdgv3.htm>
- *IA-32 Intel Architecture Software Developer’s Manual*, Intel Corporation, 2001, <http://www.intel.com/design/pentium4/manuals/>
- *Information Technology — BIOS Enhanced Disk Drive Services (EDD)*, working draft T13/1386D, Revision 5a, September 28, 2000, <http://t13.org/project/d1386r5a.pdf>
- *Itanium® Architecture Software Developer’s Manual, Volume 1: Application Architecture, Rev. 1.0*, Order number 245317, Intel Corporation, January, 2000. Also available at <http://developer.intel.com/design/itanium/family/>
- *Itanium® Architecture Software Developer’s Manual, Volume 2: System Architecture, Rev. 1.0*, Order number 245318, Intel Corporation, January, 2000. Also available at <http://developer.intel.com/design/itanium/family/>
- *Itanium® Architecture Software Developer’s Manual, Volume 3: Instruction Set Reference, Rev. 1.0*, Order number 245319, Intel Corporation, January, 2000. Also available at <http://developer.intel.com/design/itanium/family/>
- *Itanium® Architecture Software Developer’s Manual, Volume 4: Itanium Processor Programmer’s Guide, Rev. 1.0*, Order number 245320, Intel Corporation, January 2000. Also available at <http://developer.intel.com/design/itanium/family/>
- *Itanium® Software Conventions and Runtime Architecture Guide*, Order number 245358, Intel Corporation, January, 2000. Also available at <http://developer.intel.com/design/itanium/family/>
- *Itanium® System Abstraction Layer Specification*, Available at <http://developer.intel.com/design/itanium/family/>
- *IEEE 1394 Specification*, <http://www.1394ta.org/Technology/Specifications/specifications.htm>
- **Internet Control Message Protocol – ICMP** for Ipv4: <http://www.ietf.org/rfc/rfc0792.txt>. ICMP for Ipv6: <http://www.ietf.org/rfc/rfc2463.txt>. Refer to Appendix E, “32/64-Bit UNDI Specification,” for more information.
- **Internet Engineering Task Force** – <http://www.ietf.org/>. Refer to Appendix E, “32/64-Bit UNDI Specification,” for more information.
- **Internet Group Management Protocol** – <http://www.ietf.org/rfc/rfc2236.txt> . Refer to Appendix E, “32/64-Bit UNDI Specification,” for more information.
- **Internet Protocol - Ipv4**: <http://www.ietf.org/rfc/rfc0791.txt>. Ipv6: <http://www.ietf.org/rfc/rfc2460.txt> & <http://www.ipv6.org>. Refer to Appendix E, “32/64-Bit UNDI Specification,” for more information.

- *ISO 639-2:1998. Codes for the Representation of Names of Languages – Part2: Alpha-3 code*, <http://www.iso.ch/>
- *ISO/IEC 3309:1991(E), Information Technology - Telecommunications and information exchange between systems - High-level data link control (HDLC) procedures - Frame structure*, International Organization For Standardization, Fourth edition 1991-06-01
- *ITU-T Rec. V.42, Error-Correcting Procedures for DCEs using asynchronous-to-synchronous conversion*, October, 1996
- *Microsoft Extensible Firmware Initiative FAT32 File System Specification*, Version 1.03, Microsoft Corporation, December 6, 2000, <http://www.microsoft.com/hwdev/specs/>
- *Microsoft Portable Executable and Common Object File Format Specification*, Version 6.0, <http://www.microsoft.com/hwdev/specs/>, Microsoft Corporation, May 25, 2000
- *OSTA Universal Disk Format Specification*, Revision 2.00, Optical Storage Technology Association, 1998, <http://www.osta.org/specs/>
- *PCI BIOS Specification*, Revision 2.1, PCI Special Interest Group, Hillsboro, OR, <http://www.pcisig.com/specifications>
- *PCI Hot-Plug Specification* Revision 1.0, PCI Special Interest Group, Hillsboro, OR, <http://www.pcisig.com/specifications>
- *PCI Local Bus Specification* Revision 2.2, PCI Special Interest Group, Hillsboro, OR, <http://www.pcisig.com/specifications>
- *Plug and Play BIOS Specification*, Version 1.0A, Compaq Computer Corporation, Phoenix Technologies, Ltd., Intel Corporation, 1994, <http://www.microsoft.com/hwdev/tech/pnp/>
- **Plug and Play** – <http://www.phoenix.com/en/support/white+papers-specs/> Refer to Appendix E, “32/64-Bit UNDI Specification,” for more information.
- *Portable Executable and Common Object File Format Specification*. See <http://www.microsoft.com/hwdev/hardware/PECOFF.asp>
- *POST Memory Manager Specification*, Version 1.01, Phoenix Technologies Ltd., Intel Corporation, 1997, <http://www.phoenix.com/en/support/white+papers-specs/>
- *Preboot Execution Environment (PXE) Specification*, Version 2.1. Intel Corporation, 1999. Available at <ftp://download.intel.com/labs/manage/wfm/download/pxespec.pdf>.
- **Request For Comments** – <http://www.ietf.org/rfc.html> and <http://www.keywave.ad.jp/RFC/index.html>. Refer to Appendix E, “32/64-Bit UNDI Specification,” for more information.
- *SYSID BIOS Support Interface Requirements*, Version 1.2, Intel Corporation, 1997, <http://www.intel.com/labs/manage/wfm/wfmspecs.htm>
- *SYSID Programming Interface* Version 1.2, <http://www.intel.com/labs/manage/wfm/wfmspecs.htm>
- *System Management BIOS Reference Specification*, Version 2.3, American Megatrends Inc., Award Software International Inc., Compaq Computer Corporation, Dell Computer Corporation, Hewlett-Packard Company, Intel Corporation, International Business Machines Corporation, Phoenix Technologies Limited, and SystemSoft Corporation, 1977, 1998, <http://www.dmtf.org/standards/bios.php> or <http://www.phoenix.com/en/support/white+papers-specs/>
- **Transmission Control Protocol** – TCPv4: <http://www.ietf.org/rfc/rfc0793.txt>. TCPv6: <ftp://ftp.ipv6.org/pub/rfc/rfc2147.txt>. Refer to Appendix E, “32/64-Bit UNDI Specification,” for more information.

- **Trivial File Transfer Protocol** – TFTP (protocol: <http://www.ietf.org/rfc/rfc1350.txt>, options: <http://www.ietf.org/rfc/rfc2347.txt>, <http://www.ietf.org/rfc/rfc2348.txt> and <http://www.ietf.org/rfc/rfc2349.txt>). Refer to Appendix E, “32/64-Bit UNDI Specification,” for more information.
- **User Datagram Protocol** – UDP over IPv4: <http://www.ietf.org/rfc/rfc0768.txt>. UDP over IPv6: <http://www.ietf.org/rfc/rfc2454.txt>. Refer to Appendix E, “32/64-Bit UNDI Specification,” for more information.
- *The Unicode Standard*, Version 2.1, Unicode Consortium, <http://www.unicode.org/>
- More information on EFI 1.10 UGA ROM usage under an OS can be found at [www.microsoft.com/hwdev/uga](http://www.microsoft.com/hwdev/uga).
- *Universal Serial Bus PC Legacy Compatibility Specification*, Version 0.9, <http://www.usb.org/developers/docs.html>
- *Wired for Management Baseline*, Version 2.0 Release Candidate. Intel Corporation, 1998, <http://www.intel.com/labs/manage/wfm/wfmspecs.htm>



## Prerequisite Specifications

In general, this specification requires that functionality defined in a number of other existing specifications be present on a system that implements this specification. This specification requires that those specifications be implemented at least to the extent that all the required elements are present.

This specification prescribes the use and extension of previously established industry specification tables whenever possible. The trend to remove runtime call-based interfaces is well documented. The ACPI (Advanced Configuration and Power Interface) specification and the SAL (System Access Layer) specification are two examples of new and innovative firmware technologies that were designed on the premise that OS developers prefer to minimize runtime calls into firmware. ACPI focuses on no runtime calls to the BIOS, and the SAL specification only supports runtime services that make the OS more portable.

## ACPI Specification

The interface defined by the *Advanced Configuration and Power Interface (ACPI) Specification* is the current state-of-the-art in the platform-to-OS interface. ACPI fully defines the methodology that allows the OS to discover and configure all platform resources. ACPI allows the description of non-Plug and Play motherboard devices in a plug and play manner. ACPI also is capable of describing power management and hot plug events to the OS. (For more information on ACPI, refer to the ACPI web site at <http://www.acpi.info/spec.htm>).

## WfM Specification

The *Wired for Management (WfM) Specification* defines a baseline for manageability that can be used to lower the total cost of ownership of a computer system. WfM includes the System Management BIOS (SMBIOS) table-based interface that is used by the platform to relate platform-specific management information to the OS or an OS-based management agent. The format of the data is defined in the *System Management BIOS Reference Specification*, and it is up to higher level software to map the information provided by the platform into the appropriate schema. Examples of schema would include CIM (Common Information Model) and DMI (Desktop Management Interface). For more information on WfM or to obtain a copy of the WfM Specification, visit <http://www.intel.com/labs/manage/wfm/wfmspecs.htm>. To obtain the *System Management BIOS Reference Specification*, visit <http://www.phoenix.com/en/support/white+papers-specs/>.

## Additional Considerations for Itanium-Based Platforms

Any information or service that is available in Itanium architecture firmware specifications supercedes any requirement in the common supported 32-bit and Itanium architecture specifications listed above. The Itanium architecture firmware specifications (currently the *Itanium® System Abstraction Layer Specification* and portions of the *Intel® Itanium® Architecture Software Developer's Manual*, volumes 1–4) define the baseline functionality required for all Itanium architecture platforms. The major addition that UEFI makes to these Itanium architecture firmware specifications is that it defines a boot infrastructure and a set of services that constitute a common platform definition for high-volume Itanium architecture–based systems to implement based on the more generalized Itanium architecture firmware specifications.

The following specifications are the required Intel Itanium architecture specifications for all Itanium architecture–based platforms:

- *Itanium® Processor Family System Abstraction Layer Specification*
- *Intel® Itanium® Architecture Software Developer's Manual*, volumes 1–4

Both documents are available at <http://developer.intel.com/design/itanium/family/>.

- !PXE structure field definitions, 1192
- !PXE structures, 1191
  - \_CID, 247
  - \_HID, 247
  - \_UID, 247
- 32/64-bit UNDI interface, 1191
- ACPI, 1387
  - ACPI\_ADR, 270
  - ACPI\_ADR Device Path, 249
  - ACPI Device Path, definition of, 1365
  - ACPI name space, 1173, 1178
  - ACPI Source Language, 241
  - ACPI Terms, 1178
  - ACPI, definition of, 1365
- ADD, 781
- Advanced Configuration and Power Interface
  - specification, 1387. *See also* related information
- AllocateBuffer(), 532, 582
- AllocatePages(), 123
- AllocatePool(), 131
- alphabetic function lists, 1329
- AND, 782
- ANSI 3.64 terminals, and
  - SIMPLE\_TEXT\_OUTPUT, 1170
- Application, EFI, 19, 20
- ARP cache entries, 885
- ARP Protocol
  - Functions
    - Add(), 990
    - Configure(), 988
    - Delete(), 994
    - Find(), 992
    - Flush(), 995
    - Request(), 996, 998
  - GUID, 986
  - Interface Structure, 986
- ARP Service Binding Protocol
  - GUID, 985
- Arp(), 910
- Arrow shapes, 380
- ASHR, 783
- ASL. *See* ACPI Source Language
- AsyncInterruptTransfer(), 671
- AsyncIsochronousTransfer(), 679
- Attribute bits, EFI PCI I/O Protocol, 560
- Attribute bits, PCI Root Bridge I/O, 511
- attributes
  - architecturally defined, 59
- Attributes(), 587
- Attributes, SIMPLE\_TEXT\_OUTPUT, 385
- Base Code (BC), definition of, 1365
- bibliography, 1383
- Big Endian, definition of, 1365
- BIOS code, 7
- BIOS Parameter Block, 437
- BIOS Parameter Block (BPB), definition of, 1366
- BIOS, definition of, 1366
- BIS\_ALG\_ID, 937
- BIS\_APPLICATION\_HANDLE, 925
- BIS\_CERT\_ID, 936
- Block Elements Code Chart, 379
- Block I/O Protocol, 483
  - Functions
    - FlushBlocks(), 491
    - Readblocks(), 487
    - WriteBlocks(), 489
  - GUID, 483
  - Interface Structure, 483
  - Revision Number, 483
- Block Size, definition of, 1366
- Blt buffer, 411
- Blt Operation Table, 423, 427
- Blt(), 421
- Boot Device, definition of, 1366
- Boot Integrity Services Protocol, 921
  - Functions
    - Free(), 930
    - GetBootObjectAuthorizationCertificate(), 931
    - GetBootObjectAuthorizationCheckFlag(), 932
    - GetBootObjectAuthorizationUpdateToken(), 933
    - GetSignatureInfo(), 934
    - Initialize(), 924

- Shutdown(), 928
- UpdateBootObjectAuthorization(), 939
- VerifyBootObject(), 948
- VerifyObjectWithCredential(), 955
- GUID, 921
- Interface Structure, 921
- boot manager, 55
  - default media boot, 57
- Boot Manager, definition of, 1366
- boot mechanisms, 62
- boot order list, 55
- boot process
  - illustration of, 17
  - overview, 17
- boot sequence, 55
- boot services, 9
- Boot Services, 97, 205
  - global functions, 97, 205
  - handle-based functions, 97, 205
- Boot Services Driver, definition of, 1366
- Boot Services Table, definition of, 1366
- Boot Services Table, EFI, 66
- Boot Services Time, definition of, 1366
- Boot Services, definition of, 1366
- booting
  - future boot media, 64
  - via a network device, 64
  - via Load File Protocol, 63
  - via Simple File Protocol, 62
- booting from
  - CD-ROM and DVD-ROM, 441
  - diskettes, 440
  - hard drives, 441
  - network devices, 441
  - removable media, 440
- BPB. *See* BIOS Parameter Block
- BREAK, 784
- BulkTransfer(), 668
- bus-specific driver override protocol, 337
- CalculateCrc32(), 203
- CALL, 786
- Callback(), 919
- calling conventions, 27
  - general, 23
  - IA-32, 25
- CDB, 1196
- CheckEvent(), 114
- ClearRootHubPortFeature (), 688
- ClearScreen(), 387
- Close(), 450
- CloseEvent(), 110
- CloseProtocol(), 160
- Cluster, definition of, 1367
- CMP, 789
- CMPI, 791
- COFF, definition of, 1367
- Coherency Domain, definition of, 1367
- Common Information Model (CIM), definition of, 1367
- component name protocol, 353
- compressed data
  - bit order, 753
  - block body, 757
  - block header, 754
  - format, 753, 754
  - overall structure, 753
- Compression Algorithm Specification, 751
- compression source code, 1283
- compressor design, 758
- Configuration(), 540
- ConnectController(), 165
- Console, 1169
- Console I/O protocol, 367
- ConsoleIn, 368
- ConsoleIn, definition of, 1367
- ConsoleOut, 374
- ConsoleOut, definition of, 1367
- ControlTransfer(), 665
- conventions
  - data structure descriptions, 12
  - function descriptions, 14
  - instruction descriptions, 14
  - procedure descriptions, 14
  - protocol descriptions, 13
  - pseudo-code conventions, 15
  - typographic conventions, 15
- conventions, 12
- ConvertPointer(), 224
- Coordinated Universal Time, 1167
- CopyMem(), 197, 527, 576
- CreateEvent(), 103
- CreateEventEx, 98, 107, 111
- CreateThunk(), 834
- data types, EFI, 24

- Debug Image Info Table, 748
- Debug Support Protocol, 725
  - Functions
    - GetMaximumProcessorIndex(), 727
    - InvalidateInstructionCache(), 737
    - RegisterExceptionCallback(), 733
    - RegisterPeriodicCallback(), 728
  - GUID, 725
  - Interface Structure, 725
- Debugport device path, 744
- Debugport Protocol, 739
  - Functions
    - Poll(), 743
    - Read(), 742
    - Reset(), 740
    - Write(), 741
  - GUID, 739
  - Interface Structure, 739
- Decompress Protocol, 766
  - Functions
    - Decompress(), 769
    - GetInfo(), 767
  - GUID, 766
  - Interface Structure, 766
- Decompress(), 769
- decompression source code, 1311
- decompressor design, 765
- Defined GUID Partition Entry
  - Attributes, 96
  - Partition Type GUIDs, 96
- Delete(), 451
- design overview, 9
- Desktop Management Interface (DMI), definition of, 1367
- Desktop Management Task Force (DMTF), definition of, 1367
- Device Handle, definition of, 1367
- Device Path
  - for IDE disk, 1175
  - for legacy floppy, 1174
  - for secondary root PCI bus with PCI to PCI bridge, 1177
- Device Path Generation, Rules, 269
  - Hardware vs. Messaging Device Paths, 271
  - Housekeeping, 269
  - Media Device Path, 271
  - Other, 271
    - with ACPI \_ADR, 270
    - with ACPI \_HID and \_UID, 269
- Device Path Instance, definition of, 1368
- Device Path Node, definition of, 1368
- device path protocol, 242
- Device Path Protocol, 241
  - GUID, 242
  - Interface Structure, 242
- Device Path, ACPI, 247
- Device Path, BIOS Boot Specification, 271
- Device Path, definition of, 1368
- Device Path, hardware
  - memory-mapped, 246
  - PCCARD, 245
  - PCI, 245
  - vendor, 246
- Device Path, media, 264
  - Boot Specification, 268
  - CD-ROM Media, 266
  - File Path Media, 267
  - hard drive, 265
  - Media Protocol, 267
  - Vendor-Defined Media, 266
- Device Path, messaging, 250
  - 1394, 251
  - ATAPI, 250
  - FibreChannel, 250
  - I<sub>2</sub>O, 255
  - InfiniBand, 257
  - IPv4, 256
  - IPv6, 256
  - MAC Address, 255
  - SCSI, 250
  - UART, 258
  - UART flow control, 259
  - USB, 251
  - USB class, 255
  - Vendor-Defined, 258
- Device Path, nodes
  - ACPI Device Path, 243
  - BIOS Boot Specification Device Path, 243
  - End of Hardware Device Path, 243
  - End This Instance of a Device Path, 244
  - generic, 243
  - Hardware Device Path, 243
  - Media Device Path, 243
  - Messaging Device Path, 243

- Device Path,overview, 241
- device paths
  - EFI simple pointer, 395
  - PS/2 mouse, 395
  - serial mouse, 396
  - USB mouse, 398
- DHCP packet, 883
- Dhcp(), 892
- DHCP4 Option Data
  - Interface Structure, 1014
- DHCP4 Packet Data
  - Interface Structure, 1005
- DisconnectController(), 170
- Discover(), 894
- Disk I/O Protocol, 478
  - Functions
    - ReadDisk(), 293, 294, 295, 296, 297, 300, 302, 305, 306, 468, 470, 472, 473, 475, 476, 481, 651, 652, 1161, 1162
    - WriteDisk(), 482
  - GUID, 289, 299, 304, 467, 479, 650, 1147, 1160
  - Interface Structure, 289, 299, 304, 467, 479, 650, 1147, 1160
  - Revision Number, 479
- DIV, 793
- DIVU, 794
- document
  - attributes, 6
  - audience, 8
  - contents, 3
  - goals, 6
  - organization, 3
  - purpose, 1
- driver binding protocol, 307
- driver diagnostics protocol, 349
- Driver Model Boot Services, 135
- Driver Signing, 1152
- DriverLoaded(), 335
- Dynamic Host Configuration Protocol (DHCP),
  - definition of, 1368
- EBC Image, definition of, 1368
- EBC Instruction
  - ADD, 781
  - AND, 782
  - ASHR, 783
  - BREAK, 784
  - CALL, 786
  - CMP, 789
  - CMPI, 791
  - DIV, 793
  - DIVU, 794
  - EXTNDB, 795
  - EXTNDD, 796
  - EXTNDW, 797
  - JMP, 798
  - JMP8, 800
  - LOADSP, 801
  - MOD, 802
  - MODU, 803
  - MOV, 804
  - MOVI, 806
  - MOVIn, 808
  - MOVn, 810
  - MOVREL, 812
  - MOVsn, 813
  - MUL, 815
  - MULU, 816
  - NEG, 817
  - NOT, 818
  - OR, 819
  - POP, 820
  - POPn, 821
  - PUSH, 822
  - PUSHn, 823
  - RET, 824
  - SHL, 825
  - SHR, 826
  - STORESP, 827
  - SUB, 828
  - XOR, 829
- EBC instruction descriptions, 14
- EBC instruction encoding, 779
- EBC instruction operands, 777
  - direct operands, 777
  - immediate operands, 778
  - indirect operands, 777
  - indirect with index operands, 778
- EBC instruction set, 780
- EBC Instruction Set, 780
- EBC instruction syntax, 778
- EBC Interpreter Protocol, 833
  - Functions
    - CreateThunk(), 834

- GetVersion(), 838
- RegisterICacheFlush(), 836
- UnloadImage(), 835
- GUID, 833
- Interface Structure, 833
- EBC tools
  - C coding convention, 839
  - debug support, 843
  - EBC C compiler, 839
  - EBC interface assembly instructions, 839
  - EBC linker, 843
  - EBC to EBC arguments calling convention, 840
  - EBC to native arguments calling convention, 840
  - function return values, 840
  - function returns, 840
  - image loader, 843
  - native to EBC arguments calling convention, 840
  - stack maintenance and argument passing, 839
  - thunking, 841
- EBC Tools, 839
- EBC virtual machine, 771
  - architectural requirements, 830
  - runtime and software conventions, 830
- EFI Application, 19, 20, 436
- EFI Application, definition of, 1369
- EFI Boot Manager, 437
- EFI Boot Services Table, 66
- EFI Bus-Specific Driver Override Protocol
  - functions
    - GetDriver(), 338
- EFI Byte Code (EBC), 771
- EFI Byte Code (EBC), definition of, 1369
- EFI Byte Code Virtual Machine, 2
- EFI Component Name Protocol, 548
  - functions
    - GetControllerName(), 356
    - GetDriverName(), 354
- EFI Debug Support Protocol, 724
- EFI debug support table, 746
- EFI Debugport Protocol, 738
- EFI debugport variable, 745
- EFI DHCPv4 Protocol
  - Functions
    - Build(), 1022
    - GetModeData(), 1002
    - Parse(), 1027
    - Release(), 1020
    - RenewRebind(), 1018
    - Start(), 1006, 1016
    - Stop(), 1021
    - TransmitReceive(), 1024
  - GUID, 1000
  - Interface Structure, 1000
- EFI DHCPv4 Service Binding Protocol
  - GUID, 999
- EFI Directory Structure, 437
- EFI Driver, 436
- EFI Driver Binding Protocol
  - functions
    - Start(), 316
    - Stop(), 324
    - Supported(), 310
- EFI Driver Configuration Protocol, 548
  - functions
    - ForceDefaults(), 346
    - OptionsValid(), 344
    - SetOptions(), 341
- EFI driver configuration type, 347
- EFI Driver Diagnostics Protocol, 548
- EFI Driver Diagnostics Protocol
  - functions
    - RunDiagnostics(), 350
- EFI driver model, 10
- EFI Driver Model, 2
- EFI Driver, definition of, 1369
- EFI File, definition of, 1369
- EFI Hard Disk, definition of, 1369
- EFI Image, 18, 436
- EFI Image handoff state, 29
  - IA-32, 27
- EFI Image Header, 18
  - PE32+ image format, 18
- EFI Image, definition of, 1371
- EFI IPv4 Configuration Protocol
  - Functions
    - GetData(), 1090
    - Start(), 1087
    - Stop(), 1089
  - GUID, 1086
  - Interface Structure, 1086
- EFI IPv4 Protocol

- Functions
  - Cancel(), 1084
  - GetModeData(), 1064
  - Groups(), 1071
  - Open(), 1069
  - Receive(), 1082
  - Route(), 1073
  - Transmit(), 1075
- GUID, 1062
- Interface Structure, 1062
- EFI IPv4 Service Binding Protocol
  - GUID, 1060
- EFI MTFTP4 Protocol
  - Functions
    - WriteFile(), 1142
- EFI MTFTPv4 Protocol
  - Functions
    - Configure(), 1123
    - GetInfo(), 1125
    - GetModeData (), 1120
    - ParseOptions(), 1134
    - ReadDirectory(), 1144
    - ReadFile(), 1136
  - Interface Structure, 1118
- EFI MTFTPv4 Service Binding Protocol
  - GUID, 1117
- EFI OS Loader, 20, 436
- EFI OS loader, definition of, 1369
- EFI partitioning scheme, 90
- EFI Platform Driver Override Protocol
  - functions
    - DriverLoaded(), 335
    - GetDriver(), 331
    - GetDriverPath(), 333
- EFI Runtime Services Table, 66
- EFI Scan Codes for SIMPLE\_INPUT, 1169
- EFI Scan Codes,
  - SIMPLE\_INPUT\_INTERFACE, 369
- EFI Service Binding Protocol
  - Functions
    - CreateChild(), 359
    - DestroyChild(), 363
  - GUID, 358
  - Interface Structure, 358
- EFI Specification, 1
  - Design Overview, 9
  - Goals, 6
  - Overview, 3
    - Target Audience, 8
- EFI System Table, 65
- EFI system table location, 747
- EFI tables
  - EFI\_IMAGE\_ENTRY\_POINT, 65
- EFI Tables
  - EFI\_BOOT\_SERVICES, 71
  - EFI\_CONFIGURATION\_TABLE, 79
  - EFI\_RUNTIME\_SERVICES, 76
  - EFI\_SYSTEM\_TABLE, 69
  - EFI\_TABLE\_HEADER, 67
- EFI time, 1167
- EFI UDPv4 Protocol
  - Functions
    - Cancel(), 1058, 1115
    - GetModeData(), 1034, 1040, 1098, 1101
    - Groups(), 1103
    - Poll(), 1059, 1116, 1146
    - Receive(), 1054, 1113
    - Route(), 1042, 1105
    - Transmit(), 1047, 1049, 1107
  - GUID, 1032, 1096
  - Interface Structure, 1032, 1096
- EFI USB Host Controller Protocol
  - functions
    - AsyncInterruptTransfer(), 671
    - AsyncIsochronousTransfer (), 679
    - BulkTransfer(), 668
    - ClearRootHubPortFeature (), 688
    - ControlTransfer(), 665
    - GetRootHubPortNumber (), 656
    - GetRootHubPortStatus (), 682
    - GetState(), 661
    - IsochronousTransfer(), 676
    - Reset(), 658
    - SetRootHubPortFeature (), 686
    - SetState(), 663
    - SyncInterruptTransfer(), 674
- EFI, definition of, 1368
- EFI\_ALLOCATE\_TYPE, 124
- EFI\_ARP\_CONFIG\_DATA, 988
- EFI\_ARP\_FIND\_DATA, 993
- EFI\_ARP\_PROTOCOL, 986
- EFI\_ARP\_SERVICE\_BINDING\_PROTOCOL, 985



EFI\_AUTHENTICATION\_INFO\_PROTOCOL, 1147  
 EFI\_BIS\_PROTOCOL, 921  
 EFI\_BIS\_SIGNATURE\_INFO, 934  
 EFI\_BIS\_VERSION, 925  
 EFI\_BLOCK\_IO\_MEDIA, 484  
 EFI\_BOOT\_SERVICES table, 71  
 EFI\_BUS\_SPECIFIC\_DRIVER\_OVERRIDE\_PROTOCOL, 337  
 EFI\_COMPONENT\_NAME\_PROTOCOL, 353  
 EFI\_CONFIGURATION\_TABLE, 79  
 EFI\_DECOMPRESS\_PROTOCOL, 766  
 EFI\_DEVICE\_PATH, 242  
 EFI\_DEVICE\_PATH protocol, 242  
 EFI\_DEVICE\_PATH\_UTILITIES\_PROTOCOL, 288, 289, 290, 291, 292, 293, 294, 295, 296, 297, 298, 299, 300, 302, 304, 305, 306  
 EFI\_DHCP4\_CALLBACK, 1008  
 EFI\_DHCP4\_CONFIG\_DATA, 1007  
 EFI\_DHCP4\_EVENT, 1010  
 EFI\_DHCP4\_HEADER, 1012  
 EFI\_DHCP4\_LISTEN\_POINT, 1025  
 EFI\_DHCP4\_MODE\_DATA, 1002  
 EFI\_DHCP4\_PACKET, 1005  
 EFI\_DHCP4\_PACKET\_OPTION, 1014  
 EFI\_DHCP4\_PROTOCOL, 999, 1000, 1001, 1002, 1003, 1004, 1006, 1008, 1009, 1016, 1017, 1018, 1019, 1020, 1021, 1022, 1024, 1025, 1027  
 EFI\_DHCP4\_SERVICE\_BINDING\_PROTOCOL, 358, 999  
 EFI\_DHCP4\_STATE, 1003  
 EFI\_DHCP4\_TRANSMIT\_RECEIVE\_TOKEN, 1024  
 EFI\_DRIVER\_BINDING\_PROTOCOL, 307  
 EFI\_DRIVER\_CONFIGURATION\_ACTION\_REQUIRED, 342  
 EFI\_DRIVER\_DIAGNOSTIC\_TYPE, 351  
 EFI\_DRIVER\_DIAGNOSTICS\_PROTOCOL, 349  
 EFI\_EBC\_PROTOCOL, 833  
 EFI\_EDID\_ACTIVE\_PROTOCOL, 425  
 EFI\_EDID\_DISCOVERED\_PROTOCOL, 424  
 EFI\_EVENT, 104  
 EFI\_FILE\_INFO, 462  
     GUID, 462  
 EFI\_FILE\_SYSTEM\_INFO, 464  
     GUID, 464  
 EFI\_FILE\_SYSTEM\_VOLUME\_LABEL, 465  
     GUID, 465  
 EFI\_GRAPHICS\_OUTPUT\_PROTOCOL\_SET\_MODE, 419  
 EFI\_GUID, 139  
 EFI\_HANDLE, 139  
 EFI\_HASH\_PROTOCOL, 1160, 1161, 1162, 1164  
 EFI\_IMAGE\_ENTRY\_POINT, 65, 189  
 EFI\_INPUT\_KEY, 372  
 EFI\_INTERFACE\_TYPE, 139  
 EFI\_IP4\_ADDRESS\_PAIR, 1062  
 EFI\_IP4\_COMPLETION\_TOKEN, 1075  
 EFI\_IP4\_CONFIG\_DATA, 1066  
 EFI\_IP4\_CONFIG\_PROTOCOL, 1035, 1043, 1067, 1069, 1074, 1086, 1087, 1089, 1090, 1100, 1106  
 EFI\_IP4\_DATA\_REGISTRY\_ENTRY, 1061  
 EFI\_IP4\_FRAGMENT\_DATA, 1078  
 EFI\_IP4\_HEADER, 1078  
 EFI\_IP4\_ICMP\_TYPE, 1068  
 EFI\_IP4\_IPCONFIG\_DATA, 1090  
 EFI\_IP4\_MODE\_DATA, 1065  
 EFI\_IP4\_OVERRIDE\_DATA, 1080  
 EFI\_IP4\_PROTOCOL, 1034, 1062, 1063, 1064, 1069, 1071, 1073, 1075, 1082, 1084, 1085, 1091, 1098  
 EFI\_IP4\_RECEIVE\_DATA, 1076  
 EFI\_IP4\_ROUTE\_TABLE, 1068  
 EFI\_IP4\_SERVICE\_BINDING\_PROTOCOL, 358, 1060  
 EFI\_IP4\_TRANSMIT\_DATA, 1079  
 EFI\_ISCSI\_INITIATOR\_NAME\_PROTOCOL, 650  
 EFI\_LBA, 484  
 EFI\_LOADED\_IMAGE Protocol, 237  
 EFI\_LOCATE\_SEARCH\_TYPE, 148  
 EFI\_MANAGED\_NETWORK\_COMPLETION\_TOKEN, 976  
 EFI\_MANAGED\_NETWORK\_CONFIG\_DATA, 967  
 EFI\_MANAGED\_NETWORK\_FRAGMENT\_DATA, 979  
 EFI\_MANAGED\_NETWORK\_PROTOCOL, 964

EFI\_MANAGED\_NETWORK\_RECEIVE\_DATA, 977  
 EFI\_MANAGED\_NETWORK\_SERVICE\_BINDING\_PROTOCOL, 963  
 EFI\_MANAGED\_NETWORK\_TRANSMIT\_DATA, 978  
 EFI\_MEMORY\_DESCRIPTOR, 128  
 EFI\_MEMORY\_TYPE, 124  
 EFI\_MTFTP4\_ACK\_HEADER, 1128  
 EFI\_MTFTP4\_ACK8\_HEADER, 1128  
 EFI\_MTFTP4\_DATA\_HEADER, 1128  
 EFI\_MTFTP4\_DATA8\_HEADER, 1128  
 EFI\_MTFTP4\_ERROR\_HEADER, 1129  
 EFI\_MTFTP4\_OACK\_HEADER, 1128  
 EFI\_MTFTP4\_PACKET, 1127  
 EFI\_MTFTP4\_PROTOCOL, 1118, 1119, 1120, 1123, 1125, 1126, 1127, 1129, 1134, 1136, 1137, 1139, 1140, 1142, 1144, 1146  
 EFI\_MTFTP4\_REQ\_HEADER, 1127  
 EFI\_NETWORK\_INTERFACE\_TYPE, 875  
 EFI\_NETWORK\_STATISTICS, 861  
 EFI\_OPEN\_PROTOCOL\_BY\_CHILD\_CONTROLLER, 156  
 EFI\_OPEN\_PROTOCOL\_BY\_DRIVER, 156, 159  
 EFI\_OPEN\_PROTOCOL\_BY\_HANDLE\_PROTOCOL, 155, 158  
 EFI\_OPEN\_PROTOCOL\_EXCLUSIVE, 156, 159  
 EFI\_OPEN\_PROTOCOL\_GET\_PROTOCOL, 156, 158  
 EFI\_OPEN\_PROTOCOL\_TEST\_PROTOCOL, 156, 158  
 EFI\_OPTIONAL\_PTR, 224  
 EFI\_PARITY\_TYPE, 401  
 EFI\_PCI\_IO\_PROTOCOL\_ACCESS, 559  
 EFI\_PCI\_IO\_PROTOCOL\_ATTRIBUTE\_OPERATION, 588  
 EFI\_PCI\_IO\_PROTOCOL\_CONFIG, 559  
 EFI\_PCI\_IO\_PROTOCOL\_CONFIG\_ACCESS, 559  
 EFI\_PCI\_IO\_PROTOCOL\_IO\_MEM, 559  
 EFI\_PCI\_IO\_PROTOCOL\_POLL\_IO\_MEM, 558  
 EFI\_PCI\_IO\_PROTOCOL\_WIDTH, 558  
 EFI\_PCI\_ROOT\_BRIDGE\_IO\_PROTOCOL\_ACCESS, 511  
 EFI\_PCI\_ROOT\_BRIDGE\_IO\_PROTOCOL\_IO\_MEM, 510  
 EFI\_PCI\_ROOT\_BRIDGE\_IO\_PROTOCOL\_POLL\_IO\_MEM, 510  
 EFI\_PCI\_ROOT\_BRIDGE\_IO\_PROTOCOL\_WIDTH, 510  
 EFI\_PHYSICAL\_ADDRESS, 124  
 EFI\_PLATFORM\_DRIVER\_OVERRIDE\_PROTOCOL, 329  
 EFI\_PXE\_BASE\_CODE\_CALLBACK\_PROTOCOL, 918  
 EFI\_PXE\_BASE\_CODE\_CALLBACK\_STATUSES, 919  
 EFI\_PXE\_BASE\_CODE\_FUNCTION, 920  
 EFI\_PXE\_BASE\_CODE\_MODE, 878  
 EFI\_PXE\_BASE\_CODE\_MTFTP\_INFO, 899  
 EFI\_PXE\_BASE\_CODE\_PROTOCOL, 876  
 EFI\_PXE\_BASE\_CODE\_TFTP\_OPCODE, 899  
 EFI\_RESET\_TYPE, 227  
 EFI\_RUNTIME\_SERVICES table, 76  
 EFI\_SERVICE\_BINDING\_PROTOCOL, 358  
 EFI\_SIMPLE\_NETWORK\_MODE, 849  
 EFI\_SIMPLE\_NETWORK\_PROTOCOL, 847  
 EFI\_SIMPLE\_NETWORK\_STATE, 850  
 EFI\_SIMPLE\_POINTER\_MODE, 391  
 EFI\_SIMPLE\_POINTER\_STATE, 393  
 EFI\_STATUS Error Codes, 1181  
 EFI\_STATUS Success Codes, 1181  
 EFI\_STATUS warning codes, 1183  
 EFI\_STOP\_BITS\_TYPE, 401  
 EFI\_SYSTEM\_TABLE, 69  
 EFI\_TABLE\_HEADER, 67  
 EFI\_TAPE\_IO\_PROTOCOL, 467  
 EFI\_TCP4\_PROTOCOL, 1032, 1033, 1034, 1040, 1042, 1044, 1047, 1049, 1054, 1056, 1058, 1059  
 EFI\_TCP4\_SERVICE\_BINDING\_PROTOCOL, 358, 1029  
 EFI\_TIME, 215  
 EFI\_TIME\_CAPABILITIES, 217  
 EFI\_UDP4\_COMPLETION\_TOKEN, 1044, 1045, 1047, 1056, 1107  
 EFI\_UDP4\_CONFIG\_DATA, 1038, 1099  
 EFI\_UDP4\_DATA\_REGISTRY\_ENTRY, 1030, 1094  
 EFI\_UDP4\_FRAGMENT\_DATA, 1051, 1110

EFI\_UDP4\_PROTOCOL, 1096, 1097, 1098,  
 1101, 1103, 1105, 1107, 1110, 1113, 1115,  
 1116  
 EFI\_UDP4\_RECEIVE\_DATA, 1051, 1109  
 EFI\_UDP4\_SERVICE\_BINDING\_PROTOCOL,  
 358, 1093  
 EFI\_UDP4\_SERVICE\_POINT, 1031, 1095  
 EFI\_UDP4\_SESSION\_DATA, 1110  
 EFI\_UDP4\_TRANSMIT\_DATA, 1052, 1111  
 EFI\_UNICODE\_COLLATION\_PROTOCOL,  
 492  
 EFI\_USB\_HC\_PROTOCOL, 654  
 EFI\_USB\_IO Protocol, 694  
 EFI\_VIRTUAL\_ADDRESS, 129  
 EFI-compliant, definition of, 1369  
 El Torito, 436, 439, 440  
 EnableCursor(), 389  
 End of Hardware Device Path, definition of, 1369  
 Enhanced Mode (EM), definition of, 1369  
 error codes, 1181  
 Event Services, 98  
     function list, 98  
     functions  
         CheckEvent(), 114  
         CloseEvent(), 110  
         CreateEvent(), 103  
         SignalEvent(), 111  
         WaitForEvent(), 112  
     overview, 98  
 event, definition of, 1369  
 Exit(), 190  
 ExitBootServices(), 192  
 Extensible Firmware Interface Specification, 1  
 EXTNDB, 795  
 EXTNDD, 796  
 EXTNDW, 797  
 FAT file system, 436  
 FAT File System, definition of, 1370  
 FAT variants, 437  
 FatToStr(), 499  
 File Allocation Table (FAT), definition of, 1370  
 file attribute bits, EFI\_FILE\_INFO, 462  
 File Attributes, EFI\_FILE\_PROTOCOL, 448  
 File Handle Protocol, 445  
     Functions  
         Close(), 450  
         Delete(), 451  
         EFI\_FILE\_SYSTEM\_INFO, 464, 465  
         EFI\_GENERIC\_FILE\_INFO, 462  
         Flush(), 461  
         GetInfo(), 457  
         GetPosition(), 456  
         Open(), 447  
         Read(), 452  
         SetInfo(), 459  
         SetPosition(), 455  
         Write(), 454  
         Interface Structure, 445  
         Revision Number, 445  
 file names, 437  
 file system format, 436, 437  
 File System Protocol, 442  
 Fill Header, 1266  
 Firmware Interrupts level, 99  
 firmware menu, 17  
 Firmware, definition of, 1370  
 Flush(), 461, 535, 585  
 FlushBlocks(), 491  
 ForceDefaults(), 346  
 Free(), 930  
 FreeBuffer(), 534, 584  
 FreePages(), 126  
 FreePool(), 132  
 Functions  
     in alphabetic order, 1329  
     in alphabetic order within service or protocol,  
     1346  
 Geometric Shapes Code Chart, 380  
 Get Config Info, 1238  
 Get Init Info, 1235  
 Get State, 1225  
 Get Status, 1263  
 GetAttributes(), 536  
 GetBarAttributes(), 590  
 GetBootObjectAuthorizationCertificate(), 931  
 GetBootObjectAuthorizationCheckFlag(), 932  
 GetBootObjectAuthorizationUpdateToken(), 933  
 GetControl(), 407  
     control bits, 407  
 GetControllerName(), 356  
 GetDriver(), 331, 338  
 GetDriverName(), 354  
 GetDriverPath(), 333  
 GetInfo(), 457, 767

- GetLocation(), 586
- GetMaximumProcessorIndex(), 727
- GetMemoryMap(), 127
- GetNextHighMonotonicCount(), 228
- GetNextMonotonicCount(), 200
- GetNextVariableName(), 209
- GetPosition(), 456
- GetRootHubPortNumber(), 656
- GetRootHubPortStatus()
  - PortChangeStatus bit definition, 683
  - PortStatus bit definition, 682
- GetRootHubPortStatus(), 682
- GetSignatureInfo(), 934
- GetState(), 393, 661
- GetStatus(), 867
- GetTime(), 215
- GetVariable(), 207
- GetVersion(), 838
- GetWakeupTime(), 219
- globally unique identifier, definition of, 1370
- Globally Unique Identifiers, format, 1167
- glossary, 1365
- GPT. *See* GUID Partition Table
- GUID Partition Entry, 95
- GUID Partition Entry, definition of, 1370
- GUID Partition Table, 87, 439
  - GPT, 90, 91, 92, 93, 94, 95, 436, 439. *See* GPT
- GUID Partition Table Header, 93, 439
  - backup, 91
  - primary, 90
- GUID Partition Table Header, definition of, 1370
- GUID Partition Table, definition of, 1370
- GUID Partition, definition of, 1370
- GUID, definition of, 1370
- GUID, format, 1167
- Handle, definition of, 1371
- HandleProtocol(), 149
- Hardware Device Path, definition of, 1371
- Hash
  - Hash, 1158
- Headless system, 241
- Huffman code generation, 763
- Huffman coding, 1283
- IA-32
  - EFI Image handoff state, 27
- ICMP error packet, 883
- ICMP Message Types and Codes
  - Data Structure, 1068
- IDE disk device path, 1176
- Image Handle, definition of, 1371
- Image Handoff State, definition of, 1371
- Image Header, definition of, 1371
- Image Services
  - function list, 183
  - functions
    - EFI\_IMAGE\_ENTRY\_POINT, 189
    - Exit(), 190
    - ExitBootServices(), 192
    - LoadImage(), 184
    - StartImage(), 186
    - UnloadImage(), 188
  - overview, 182
- Image, definition of, 1371
- images
  - loading, 17
- implementation requirements
  - general, 50
  - required elements, 50
- information, resources, 1383
- Initialize, 1241
- Initialize(), 854, 924
- InstallConfigurationTable(), 201
- InstallMultipleProtocolInterfaces(), 179
- InstallProtocolInterface(), 138
- instruction summary
  - EFI byte code virtual machine, 1327
- Intel Architecture-32 (IA-32), definition of, 1371
- Intel® Itanium™ Architecture, definition of, 1371
- interfaces
  - general categories, 21
  - purpose, 21
- Interpreter, definition of, 1371
- Interrupt Enables, 1249
- InterruptStatus** interrupt bit mask settings, 867
- InvalidateInstructionCache(), 737
- Io.Read(), 523, 572
- Io.Write(), 523, 572
- IP filter operation, 906
- IP4 Default Data
  - GUID, 1030
- IP4 Protocol
  - Functions

- Poll(), 1085
- IPv4 Default Data
  - GUID, 1061, 1094
- IPv4 Fragment Data
  - Data Structure, 1078
- IPv4 Header
  - Data Structure, 1078
- IPv4 IOCTL Data
  - Data Structure, 1066
- IPv4 Mode Data
  - Data Structure, 1065
- IPv4 Override Data
  - Data Structure, 1080
- IPv4 Receive Data
  - Data Structure, 1076
- IPv4 Route Table
  - Data Structure, 1068
- IPv4 Transmit Data
  - Data Structure, 1079
- ISO-9660, 440
- IsochronousTransfer(), 676
- Itanium architecture
  - EFI Image handoff state, 29
  - firmware specifications, 1388
  - platforms, 1388
  - requirements, related to this specification, 1388
- Itanium™
  - firmware specifications. *See also* related information
- JMP, 798
- JMP8, 800
- LAN On Motherboard (LOM), definition of, 1371
- LBA. *See* Logical Block Address
- legacy floppy device path, 1175
- legacy interfaces, 6
- legacy Master Boot Record, 87
  - and GPT Partitions, 90
  - Partition Record, 88
- legacy MBR, 436, 439
- legacy OS, 7
- Legacy Platform, definition of, 1371
- legacy systems, support of, 12
- Little Endian, definition of, 1372
- Load File Protocol, 887
  - Functions
    - LoadFile(), 434
    - GUID, 433
    - Interface Structure, 433
- Loaded Image Protocol, 237
  - functions
    - Unload(), 240
    - GUID, 237
    - Interface Structure, 237
    - Revision Number, 237
- Loaded Image, definition of, 1372
- LoadFile(), 434
- LoadImage(), 184
- LOADSP, 801
- LocateDevicePath(), 151
- LocateHandle(), 147
- LocateHandleBuffer(), 175
- LocateProtocol(), 178
- logical block address, 439
- long file names, 437
- Long File Names (LFN), definition of, 1372
- LZ77 coding, 1283
- Machine Check Abort (MCA), definition of, 1372
- Managed Network Protocol
  - Functions
    - Cancel(), 982
    - Configure(), 969
    - GetModeData(), 966
    - Groups(), 973
    - McastIpToMac(), 971
    - Poll(), 983
    - Receive(), 981
    - Transmit(), 975
  - GUID, 964
  - Interface Structure, 964
- Managed Network Service Binding Protocol
  - GUID, 963
- Map(), 529, 579
- Master Boot Record, 436
- Master Boot Record (MBR), definition of, 1372
- MAX\_MCAST\_FILTER\_CNT, 851
- MBR, 87. *See* Master Boot Record
- MCast IP To MAC, 1259
- MCastIPtoMAC(), 864
- Media Device Path, definition of, 1372
- media formats, 440
- Mem.Read(), 521, 570
- Mem.Write(), 521, 570

- Memory Allocation Services
  - function list, 120
  - functions
    - AllocatePages(), 123
    - AllocatePool(), 131
    - FreePages(), 126
    - FreePool(), 132
    - GetMemoryMap(), 127
  - overview, 120
- Memory Attribute Definitions, 128
- memory map, 120
- Memory Map, definition of, 1373
- Memory Type, definition of, 1373
- memory type, usage
  - after **ExitBootServices()**, 120
  - before **ExitBootServices()**, 120
- Messaging Device Path, definition of, 1373
- MetaMatch(), 495
- migration requirements, 11
  - EFI support on a legacy platform, 12
  - legacy OS support, 12
- migration, from legacy systems, 11
- Miscellaneous Boot Services
  - overview, 193
- Miscellaneous Runtime Services
  - overview, 225
- Miscellaneous Services
  - function list, 193, 225
  - functions
    - CalculateCrc32(), 203
    - CopyMem(), 197
    - GetNextHighMonotonicCount(), 228
    - GetNextMonotonicCount(), 200
    - InstallConfigurationTable(), 201
    - ResetSystem(), 213, 226, 230, 235
    - SetMem(), 199
    - SetWatchdogTimer(), 194
- MOD, 802
- MODU, 803
- MOV, 804
- MOVI, 806
- MOVIIn, 808
- MOVn, 810
- MOVREL, 812
- MOVsn, 813
- Mtftp(), 898
- MTFTP4 Packet Definitions, 1127
- MUL, 815
- Multicast Trivial File Transfer Protocol (MTFTP), definition of, 1373
- MULU, 816
- Name space, 241
- Name Space
  - EFI device path, 1179
- Name Space, definition of, 1373
- Native Code, definition of, 1373
- natural indexing, 775
- NEG, 817
- Network Boot Program, definition of, 1373
- Network Bootstrap Program (NBP), definition of, 1374
- Network Interface Card (NIC), definition of, 1374
- Network Interface Identifier Protocol, 873
  - GUID, 873
  - Interface Structure, 873
  - Revision Number, 873
- nonvolatile storage, 603
- NOT, 818
- NvData, 1261
- NvData(), 865
- NVRAM variables, 55
- opcode summary
  - EFI byte code virtual machine, 1327
- Open Modes, EFI\_FILE\_PROTOCOL, 448
- Open(), 447
- OpenProtocol(), 153
- OpenProtocolInformation(), 163
- OpenVolume(), 444
- operating system loader, definition of, 1369
- option ROM, 11, 771
  - EBC, 772
  - legacy, 772
  - relocatable image, 772
- Option ROM, 6
- option ROM formats, 845
- OptionsValid(), 344
- OR, 819
- OS loader, definition of, 1369
- OS Loader, EFI, 20
- OS network stacks, 1189
- OutputString(), 378
- overview of design, 9

- Page Memory, definition of, 1374
- partition discovery, 439
- Partition Discovery, definition of, 1374
- partitioning scheme, EFI, 90
- PCANSI terminals, and
  - SIMPLE\_TEXT\_OUTPUT, 1170
- PCI bus driver responsibilities, 600
- PCI Bus Driver, definition of, 1374
- PCI bus drivers, 549
- PCI Bus, definition of, 1374
- PCI Configuration Space, definition of, 1375
- PCI Controller, definition of, 1375
- PCI device driver responsibilities, 600
- PCI Device Driver, definition of, 1375
- PCI device drivers, 553
- PCI device paths, 595
- PCI Device, definition of, 1375
- PCI driver initialization, 546
- PCI driver model, 546
- PCI Enumeration, definition of, 1375
- PCI Function, definition of, 1375
- PCI Host Bus Controller, definition of, 1375
- PCI hot-plug events, 604
- PCI I/O Protocol, 556
  - Functions
    - AllocateBuffer(), 582
    - Attributes(), 587
    - CopyMem(), 576
    - Flush(), 585
    - FreeBuffer(), 584
    - GetBarAttributes(), 590
    - GetLocation(), 586
    - Io.Read(), 572
    - Io.Write(), 572
    - Map(), 579
    - Mem.Read(), 570
    - Mem.Write(), 570
    - Pci.Read(), 574
    - Pci.Write(), 574
    - PollIo(), 568
    - PollMem(), 566
    - SetBarAttributes(), 593
    - Unmap(), 581
  - GUID, 556
  - Interface Structure, 556
- PCI Option ROM, definition of, 1376
- PCI option ROMs, 597
  - AllocateBuffer(), 532
  - Configuration(), 540
  - CopyMem(), 527
  - Flush(), 535
  - FreeBuffer(), 534
  - GetAttributes(), 536
  - Io.Read(), 523
  - Io.Write(), 523
  - Map(), 529
  - Mem.Read(), 521
  - Mem.Write(), 521
  - Pci.Read(), 525
  - Pci.Write(), 525
  - PollIo(), 519
  - PollMem(), 517
  - SetAttributes(), 538
  - Unmap(), 531
- GUID, 508
  - Interface Structure, 508
- PCI root bridge I/O support, 501
- PCI Root Bridge, definition of, 1376
- PCI Segment, definition of, 1376
  - Pci.Read(), 525, 574
  - Pci.Write(), 525, 574
- PE32+ image format, 18
- platform driver override protocol, 329
- plug and play option ROMs
  - and boot services, 21
- PMBR. *See* Protective MBR
- Poll(), 743
- PollIo(), 519, 568
- PollMem(), 517, 566
- Pool Memory, definition of, 1376
- POP, 820
- POPn, 821
- Preboot Execution Environment (PXE),
  - definition of, 1377
- prerequisite specifications, 1387
- Protective MBR, 90
- Protocol
  - 11.7 Graphics Output Protocol, 249
  - 23.4 PXE Base Code Callback, 880, 889, 918
  - ARP, 4, 358, 360, 361, 364, 365, 876, 877, 878, 879, 882, 885, 910, 911, 912, 913,

- 920, 985, 986, 987, 988, 989, 990, 991, 992, 993, 994, 995, 996, 997, 998, 1042, 1073, 1105
- ARP Service Binding, 985
- Block I/O, 483
- Boot Integrity Services, 921
- Boot Integrity Services (BIS), 879, 921
- Console I/O, 3, 141, 367
- Debug Support, 725
- Debugport, 739
- Decompress, 766
- Device Path, 241
- Disk I/O, 478
- EBC Interpreter, 833
- EFI DHCPv4 Service Binding, 999, 1004, 1006
- EFI IPv4, 5, 999, 1000, 1001, 1035, 1060, 1061, 1062, 1063, 1064, 1065, 1067, 1068, 1069, 1070, 1072, 1074, 1075, 1076, 1077, 1082, 1083, 1085, 1086, 1087, 1088, 1089, 1090, 1091, 1093, 1098, 1100, 1119
- EFI MTFTPv4, 5, 1117, 1118, 1119, 1120, 1121, 1123, 1124, 1129, 1133, 1136, 1138, 1139, 1140, 1141, 1142, 1143, 1145, 1146
- EFI MTFTPv4 Service Binding, 1117
- EFI Service Binding, 357, 963, 985
- EFI TCPv4, 5, 1029, 1032, 1033, 1035, 1036, 1040, 1043, 1045, 1046, 1048, 1052, 1054, 1055, 1057
- EFI TCPv4 Service Binding, 1029
- EFI UDPv4, 5, 1093, 1095, 1096, 1097, 1098, 1099, 1100, 1101, 1102, 1104, 1106, 1107, 1108, 1109, 1110, 1111, 1112, 1113, 1114, 1117, 1119
- File Handle, 445
- File System, 442
- Load File, 887
- Loaded Image, 237
- Managed Network, 4, 963, 987
- Managed Network Service Binding, 4, 963
- Network Interface Identifier, 873
- Network Interface Identifier, 873, 875, 886, 887
- PCI I/O, 556
- PCI Root Bridge I/O, 508
- Preboot Execution Environment (PXE) Base Code. See . See

- PXE Base Code, 876
- PXE Base Code Callback, 918
- Serial I/O, 399
- Simple File System, 442
- Simple Input, 368, 370
- Simple Network, 847
- Simple Network, 847, 860, 863, 864, 873, 876, 879, 887, 964
- Simple Pointer, 390
- Unicode Collation, 492
- Protocol Handler Services
  - function list, 133
  - functions, 133
    - CloseProtocol(), 160
    - ConnectController(), 165
    - DisconnectController(), 170
    - HandleProtocol(), 149
    - InstallMultipleProtocolInterfaces(), 179
    - InstallProtocolInterface(), 138
    - LocateDevicePath (), 151
    - LocateHandle(), 147
    - LocateHandleBuffer(), 175
    - LocateProtocol(), 178
    - OpenProtocol(), 153
    - OpenProtocolInformation(), 163
    - ProtocolsPerHandle(), 173
    - RegisterProtocolNotify(), 145
    - ReinstallProtocolInterface(), 143
    - UninstallMutipleProtocolInterfaces(), 181
    - UninstallProtocolInterface(), 141
  - overview, 133
- Protocol Handler, definition of, 1377
- Protocol Interface, definition of, 1378
- Protocol Revision Number, definition of, 1378
- Protocol, definition of, 1378
- protocols, 32
  - code illustrating, 33
  - construction of, 33
  - EFI\_BUS\_SPECIFIC\_DRIVER\_OVERRIDE\_PROTOCOL, 337
  - EFI\_COMPONENT\_NAME\_PROTOCOL, 353
  - EFI\_DEVICE\_PATH, 242
  - EFI\_DRIVER\_BINDING\_PROTOCOL, 307
  - EFI\_DRIVER\_DIAGNOSTICS\_PROTOCOL, 349



- EFI\_PLATFORM\_DRIVER\_OVERRIDE\_PROTOCOL, 329
- EFI\_USB\_HC\_PROTOCOL, 654
- EFI\_USB\_IO Protocol, 694
  - list of, 34
- ProtocolsPerHandle(), 173
- PUSH, 822
- PUSHn, 823
- PXE Base Code Callback Protocol, 918
  - Functions
    - Callback(), 919
    - GUID, 918
    - Interface Structure, 918
    - Revision Number, 918
- PXE Base Code Protocol, 876
  - Functions
    - Arp(), 910
    - Dhcp(), 892
    - Discover(), 894
    - Mtftp(), 898
    - SetIpFilter(), 908
    - SetPackets(), 916
    - SetParameters(), 912
    - SetStationIp(), 914
    - Start(), 888
    - Stop(), 891
    - UdpRead(), 905
    - UdpWrite(), 902
  - GUID, 876
  - Interface Structure, 876
  - Revision Number, 876
- PXE boot server bootstrap types, 894
- PXE tag definitions for EFI, 886
- QueryCapsuleCapsule(), 235
- QueryMode(), 383
- RaiseTPL(), 117
- Read(), 452, 742
- ReadBlocks(), 487
- ReadDisk(), 481
- ReadKeyStroke(), 372
- Read-Only Memory (ROM), definition of, 1378
- Receive, 1273
- Receive Filters, 1251
- Receive(), 871
- ReceiveFilters(), 857
- ReceiveFilterSetting** bit mask values, 851
- references, 1383
- RegisterExceptionCallback(), 733
- RegisterICacheFlush(), 836
- RegisterPeriodicCallback(), 728
- RegisterProtocolNotify(), 145
- ReinstallProtocolInterface(), 143
- related information, 1383
- Reset(), EFI\_SIMPLE\_POINTER, 392
- Reset(), SIMPLE\_TEXT\_OUTPUT, 377
- Reset(), USB Host Controller, 658
- ResetSystem(), 213, 226, 230, 235
- RestoreTPL(), 119
- RET, 824
- RunDiagnostics(), 350
- runtime services, 9, 22
- Runtime Services, 97, 205
  - Miscellaneous Runtime Services, 225
  - Time Services, 214
  - Variable Services, 206
  - Virtual Memory Services, 221
- Runtime Services Driver, definition of, 1378
- Runtime Services Table, definition of, 1378
- Runtime Services Table, EFI, 66
- Runtime Services, definition of, 1378
- SAL, definition of, 1378
- SAS Boot, 260
- SCSI Pass Thru device paths, 625
- Secondary Root PCI Bus with PCI to PCI Bridge
  - Device Path, 1177
- Security
  - Driver Signing, 1152
  - Hash, 1158, 1160, 1161, 1162, 1163, 1164
- Serial I/O Protocol, 399
  - Functions
    - GetControl(), 407
    - SetAttributes(), 403
    - SetControl(), 405
  - GUID, 399
  - Interface Structure, 399
  - Revision Number, 399
- SERIAL\_IO\_MODE, 400
- services, 21
- SetAttribute(), 385
- SetAttributes(), 403, 538
- SetBarAttributes(), 593
- SetControl(), 405
  - control bits, 405
- SetCursorPosition(), 388

- SetInfo(), 459
- SetIpFilter(), 908
- SetMem(), 199
- SetMode(), 384, 419, 427
- SetOptions(), 341
- SetPackets(), 916
- SetParameters(), 912
- SetPosition(), 455
- SetRootHubPortFeature (), 686
- SetState(), 663
- SetStationIp(), 914
- SetTime(), 218
- SetTimer(), 115
- SetVariable(), 211
- SetVirtualAddressMap(), 222
- SetWakeupTime(), 220
- SetWatchdogTimer(), 194
- SHL, 825
- SHR, 826
- Shutdown, 1247
- Shutdown(), 856, 928
- SignalEvent(), 111
- Simple File System Protocol, 442
  - functions
    - OpenVolume(), 444
  - GUID, 442
  - Interface Structure, 442
  - Revision Number, 442
- Simple Input Protocol, 368, 370
  - Functions
    - ReadKeyStroke(), 372
    - Reset(), 371
  - GUID, 370
  - Interface Structure, 370
  - Scan Codes for, 369
- Simple Network Protocol, 847, 876, 887
  - Functions
    - GetStatus(), 867
    - Initialize(), 854
    - MCastIPtoMAC(), 864
    - NVData(), 865
    - Receive(), 871
    - ReceiveFilters(), 857
    - Reset(), 855
    - Shutdown(), 856
    - Start(), 852
    - StationAddress(), 860
  - Statistics(), 861
  - Stop(), 853
  - Transmit(), 869
  - GUID, 847
  - Interface Structure, 847
  - Revision Number, 847
- Simple Pointer Protocol, 390
  - Functions
    - GetState(), 393
    - Reset(), 392
  - GUID, 390
  - Protocol Interface Structure, 390
- Simple Text Output Protocol
  - Functions
    - ClearScreen(), 387
    - EnableCursor(), 389
    - OutputString(), 378
    - Querymode(), 383
    - Reset(), 377
    - SetAttribute(), 385
    - SetCursorPosition(), 388
    - Setmode(), 384
    - TestString(), 382
  - GUID, 374
  - Interface Structure, 374
- SIMPLE\_INPUT protocol, implementation, 1169
- SIMPLE\_TEXT\_OUTPUT implementation
  - control sequences, 1170
- SIMPLE\_TEXT\_OUTPUT protocol,
  - implementation, 1169
- SIMPLE\_TEXT\_OUTPUT\_MODE, 375
- SMBIOS, definition of, 1379
- specifications, other, 1387
- specifications, prerequisite, 1387
- Stall(), 196
- StandardError, 374
- StandardError, definition of, 1379
- Start, 1227
- Start(), 316, 852
- Start(), PXE Base Code Protocol, 888
- StartImage(), 186
- Station Address, 1254
- StationAddress(), 860
- Statistics, 1256
- Statistics(), 861
- status codes, 1181
- Status Codes, definition of, 1379

- Stop, 1234
- Stop(), 324, 853
- Stop(), PXE Base Code Protocol, 891
- STORESP, 827
- StriColl(), 494
- String, definition of, 1379
- StrLwr(), 497
- StrToFat(), 500
- StrUpr(), 498
- SUB, 828
- success codes, 1181
- Supported(), 310
- SyncInterruptTransfer(), 674
- System Abstraction Layer (SAL), definition of, 1379
- System Management BIOS (SMBIOS), definition of, 1379
- system partition, 9
- System Partition, 436, 437
- System Partition, definition of, 1379
- System Table, definition of, 1380
- System Table, EFI, 65
- table-based interfaces, 9
- Task Priority Level (TPL) , definition of, 1380
- task priority levels
  - general, 98
  - restrictions, 100
  - usage, 99
- Task Priority Services, 98
  - function list, 98
  - functions
    - RaiseTPL(), 117
    - RestoreTPL(), 119
  - overview, 98
- terminology, definitions, 1365
- TestString(), 382
- TFTP error packet, 883
- Time Format, definition of, 1380
- Time Services
  - function list, 214
  - functions
    - GetTime(), 215
    - GetWakeupTime(), 219
    - SetTime(), 218
    - SetWakeupTime(), 220
  - overview, 214
- time, format, 1167
- Timer Services, 98
  - function list, 98
  - functions
    - SetTimer(), 115
  - overview, 98
- TPL. *See* task priority levels
- TPL restrictions, 101
- TPL\_APPLICATION level, 99
- TPL\_HIGH\_LEVEL, 99
- TPL\_NOTIFY level, 99
- Transmit, 1269
- Transmit(), 869
- Trivial File Transport Protocol (TFTP), definition of, 1380
- UDP port filter operation, 906
- UDP4 Service Binding Protocol
  - GUID, 1029, 1093
- UdpRead(), 905
- UdpWrite(), 902
- UNDI as an EFI Runtime Driver, 1276
- UNDI C definitions, 1198
- UNDI CDB, 1196
- UNDI CDB field definitions, 1196
- UNDI command descriptor block, 1196
- UNDI command format, 1196
- UNDI commands, 1221
  - Fill Header, 1266
  - Get Config Info, 1238
  - Get Init Info, 1235
  - Get State, 1225
  - Get Status, 1263
  - Initialize, 1241
  - Interrupt Enables, 1249
  - issuing, 1195
  - linking & queuing, 1222
  - MCast IP To MAC, 1259
  - NvData, 1261
  - Receive, 1273
  - Receive Filters, 1251
  - Shutdown, 1247
  - Start, 1227
  - Station Address, 1254
  - Statistics, 1256
  - Stop, 1234
  - Transmit, 1269
- UNDI Specification
  - Definitions, 1185

- driver types, 1190
- UNDI Specification, 32/64-Bit, 1185
- Unicode Collation Protocol, 492
  - Functions
    - FatToStr(), 499
    - MetaiMatch(), 495
    - StriColl(), 494
    - StrLwr(), 497
    - StrToFat(), 500
    - StrUpr(), 498
  - GUID, 492
  - Interface Structure, 492
- Unicode control characters, supported, 368
- UNICODE DRAWING CHARACTERS, 378
- Unicode, definition of, 1380
- UninstallMultipleProtocolInterfaces(), 181
- UninstallProtocolInterface(), 141
- Universal Graphics Adapter protocols, 411
- Universal Network Device Interface (UNDI),
  - definition of, 1380
- Universal Serial Bus (USB), definition of, 1381
- Unload(), 240
- UnloadImage(), 188, 835
- Unmap(), 531, 581
- Update Capsule, 229
- UpdateBootObjectAuthorization(), 939
- UpdateCapsule(), 230
- USB Bus Driver, 691
  - Bus Enumeration, 692
  - Driver Binding Protocol, 691
  - Entry Point, 691
  - Hot-Plug Event, 692
- USB Bus Driver, definition of, 1381
- USB Bus, definition of, 1381
- USB Controller, definition of, 1381
- USB Device Driver, 693
  - Driver Binding Protocol, 693
  - Entry Point, 693
- USB Device Driver, definition of, 1381
- USB Device, definition of, 1381
- USB Driver Model, 690
- USB Enumeration, definition of, 1381
- USB host controller protocol, 654
- USB Host Controller Protocol, 653
  - GUID, 654
  - Interface Structure, 654
- USB Host Controller, definition of, 1382
- USB hub port change status bitmap, 685
- USB hub port status bitmap, 683
- USB Hub, definition of, 1382
- USB I/O protocol, 694
  - GUID, 694
  - Interface Structure, 694
- USB I/O Protocol
  - functions
    - UsbAsyncInterruptTransfer (), 701
    - UsbAsyncIsochronousTransfer (), 709
    - UsbBulkTransfer (), 699
    - UsbControlTransfer(), 696
    - UsbGetConfigDescriptor (), 713
    - UsbGetDeviceDescriptor (), 711
    - UsbGetEndpointDescriptor(), 717
    - UsbGetInterfaceDescriptor (), 715
    - UsbGetStringDescriptor(), 719
    - UsbGetSupportedLanguages(), 720
    - UsbIsochronousTransfer (), 707
    - UsbPortReset(), 721
    - UsbSyncInterruptTransfer (), 705
- USB Interface, definition of, 1382
- USB port feature, 687
- USB transfer result error codes, 697
  - UsbAsyncInterruptTransfer(), 701
  - UsbAsyncIsochronousTransfer (), 709
  - UsbBulkTransfer(), 699
  - UsbControlTransfer(), 696
  - UsbGetConfigDescriptor(), 713
  - UsbGetDeviceDescriptor (), 711
  - UsbGetEndpointDescriptor(), 717
  - UsbGetInterfaceDescriptor(), 715
  - UsbGetStringDescriptor(), 719
  - UsbGetSupportedLanguages(), 720
  - UsbIsochronousTransfer(), 707
  - UsbPortReset(), 721
  - UsbSyncInterruptTransfer(), 705
- UTC, 1167
- Variable Attributes, 207
- Variable Services
  - function list, 206
  - functions
    - GetNextVariableName(), 209
    - GetVariable(), 207
    - SetVariable(), 211
  - overview, 206
- variables

- global, 59
  - non-volatile, 59
- VerifyBootObject(), 948
  - Manifest Syntax, 949
- VerifyObjectWithCredential(), 955
- virtual machine, 771
- Virtual Memory Services
  - function list, 221
  - functions
    - ConvertPointer(), 224
    - SetVirtualAddressMap (), 222
  - overview, 221
- VM, definition of, 1382
- WaitForEvent(), 112

- warning codes, 1183
- Watchdog timer, definition of, 1382
- web sites, 1383
- WfM. *See* Wired for Management specification
- WIN\_CERTIFICATE, 1156, 1157, 1158
- Wired for Management (WfM), definition of, 1382
- Wired for Management specification, 1387. *See also* related information
- Write(), 454, 741
- WriteBlocks(), 489
- WriteDisk(), 482
- x64, 29
- XOR, 829

UEFI Specification 2.0, Errata

1) Throughout:

Add clarification to the spec so that we avoid references to GUIDs that do not comply to the <32bit><16bit><16bit><byte><byte><byte><byte><byte><byte><byte><byte> format.

EFI\_GLOBAL\_VARIABLE

**GUID**

```
#define EFI_GLOBAL_VARIABLE \  
{0x8BE4DF61,0x93CA,0x11d2,0xAA,0x0D,0x00,0xE0,0x98,0x03,0x2  
B,0x8C}
```

EFI\_SIMPLE\_TEXT\_INPUT\_PROTOCOL\_GUID

**GUID**

```
#define EFI_SIMPLE_TEXT_INPUT_PROTOCOL_GUID \  
{0x387477c1,0x69c7,0x11d2,0x8e,0x39,0x00,0xa0,0xc9,0x69,0x7  
2,0x3b}
```

EFI\_LOAD\_FILE\_PROTOCOL\_GUID

**GUID**

```
#define EFI_LOAD_FILE_PROTOCOL_GUID \  
{0x56EC3091,0x954C,0x11d2,0x8E,0x3F,0x00,0xA0,0xC9,0x69,0x7  
2,0x3B}
```

EFI\_SIMPLE\_NETWORK\_PROTOCOL\_GUID

**GUID**

```
#define EFI_SIMPLE_NETWORK_PROTOCOL_GUID \  
{0xA19832B9,0xAC25,0x11D3,0x9A,0x2D,0x00,0x90,0x27,0x3f,0xc  
1,0x4d}
```

EFI\_MANAGED\_NETWORK\_SERVICE\_BINDING\_PROTOCOL\_GUID

## GUID

```
#define EFI_MANAGED_NETWORK_SERVICE_BINDING_PROTOCOL_GUID \
    {0xf36ff770,0xa7e1,0x42cf,0x9e,0xd2,0x56,0xf0,0xf2,0x71,0xf4, 0x4c}
```

EFI\_AMP\_SERVICE\_BINDING\_PROTOCOL\_GUID

## GUID

```
#define EFI_AMP_SERVICE_BINDING_PROTOCOL_GUID \
    {0xf44c00ee,0x1f2c,0x4a00,0xaa,0x09,0x1c,0x9f,0x3e,0x08,0x00,
    0xa3}
```

EFI\_AMP\_PROTOCOL\_GUID

## GUID

```
#define EFI_AMP_PROTOCOL_GUID \
    {0xf4b427bb,0xba21,0x4f16,0xbc,0x4e,0x43,0xe4,0x16,0xab,0x61,
    0x9c}
```

EFI\_SERIAL\_IO\_PROTOCOL\_GUID

## GUID

```
#define EFI_SERIAL_IO_PROTOCOL_GUID \
    {0xBB25CF6F,0xF1D4,0x11D2,0x9A,0x0C,0x00,0x90,0x27,0x3F,0xC1,
    0xFD}
```

EFI\_DEVICE\_PATH\_PROTOCOL\_GUID

## GUID

```
#define EFI_DEVICE_PATH_PROTOCOL_GUID \
    {0x09576e91,0x6d3f,0x11d2,0x8e,0x39,0x00,0xa0,0xc9,0x69,0x72,
    0x3b}
```

EFI\_SIMPLE\_TEXT\_OUTPUT\_PROTOCOL\_GUID

## GUID

```
#define EFI_SIMPLE_TEXT_OUTPUT_PROTOCOL_GUID \
    {0x387477c2,0x69c7,0x11d2,0x8e,0x39,0x00,0xa0,0xc9,0x69,0x72,
    0x3b}
```

## UEFI Specification 2.0 Errata

EFI\_SIMPLE\_FILE\_SYSTEM\_PROTOCOL\_GUID

### GUID

```
#define EFI_SIMPLE_FILE_SYSTEM_PROTOCOL_GUID \
{0x0964e5b22,0x6459,0x11d2,0x8e,0x39,0x00,0xa0,0xc9,0x69,0x72,
0x3b}
```

EFI\_DISK\_IO\_PROTOCOL\_GUID

### GUID

```
#define EFI_DISK_IO_PROTOCOL_GUID \
{0xCE345171,0xBA0B,0x11d2,0x8e,0x4F,0x00,0xa0,0xc9,0x69,0x72,
0x3b}
```

EFI\_BLOCK\_IO\_PROTOCOL\_GUID

### GUID

```
#define EFI_BLOCK_IO_PROTOCOL_GUID \
{0x964e5b21,0x6459,0x11d2,0x8e,0x39,0x00,0xa0,0xc9,0x69,0x72,
0x3b}
```

EFI\_UNICODE\_COLLATION\_PROTOCOL\_GUID

### GUID

```
#define EFI_UNICODE_COLLATION_PROTOCOL_GUID \
{0x1d85cd7f,0xf43d,0x11d2,0x9a,0x0c,0x00,0x90,0x27,0x3f,0xc1,
0x4d}
```

EFI\_NETWORK\_INTERFACE\_IDENTIFIER\_PROTOCOL\_GUID

### GUID

```
#define EFI_NETWORK_INTERFACE_IDENTIFIER_PROTOCOL_GUID \
{0xE18541CD,0xF755,0x4f73,0x92,0x8D,0x64,0x3C,0x8A,0x79,0xB2,
0x29}
```

EFI\_PXE\_BASE\_CODE\_PROTOCOL\_GUID



## GUID

```
#define EFI_PXE_BASE_CODE_PROTOCOL_GUID \  
  
{0x03C4E603,0xAC28,0x11d3,0x9A,0x2D,0x00,0x90,0x27,0x3F,0xC1,  
0x4D}
```

EFI\_PXE\_BASE\_CODE\_CALLBACK\_PROTOCOL\_GUID

## GUID

```
#define EFI_PXE_BASE_CODE_CALLBACK_PROTOCOL_GUID \  
  
{0x245DCA21,0xFB7B,0x11d3,0x8F,0x01,0x00,0xA0,0xC9,0x69,0x72,  
0x3B}
```

EFI\_MANAGED\_NETWORK\_PROTOCOL\_GUID

## GUID

```
#define EFI_MANAGED_NETWORK_PROTOCOL_GUID \  
  
{0x3b95aa31,0x3793,0x434b,0x86,0x67,0xc8,0x07,0x08,0x92,0xe0,  
0x5e}
```

EFI\_DHCP4\_PROTOCOL\_GUID

## GUID

```
#define EFI_DHCP4_PROTOCOL_GUID \  
  
{0x8a219718,0x4ef5,0x4761,0x91,0xc8,0xc0,0xf0,0x4b,0xda,0x9e,  
0x56}
```

EFI\_DHCP4\_SERVICE\_BINDING\_PROTOCOL\_GUID

## GUID

```
#define EFI_DHCP4_SERVICE_BINDING_PROTOCOL_GUID \  
  
{0x9d9a39d8,0xbd42,0x4a73,0xa4,0xd5,0x8e,0xe9,0x4b,0xe1,0x13,  
0x80}
```

EFI\_TCP4\_PROTOCOL\_GUID

## GUID

```
#define EFI_TCP4_PROTOCOL_GUID \
{0x65530BC7,0xA359,0x410F,0xB0,0x10,0x5A,0xAD,0xC7,0xEC,0x2B,
0x62}
```

EFI\_TCP4\_SERVICE\_BINDING\_PROTOCOL\_GUID

## GUID

```
#define EFI_TCP4_SERVICE_BINDING_PROTOCOL_GUID \
{0x00720665,0x67EB,0x4a99,0xBA,0xF7,0xD3,0xC3,0x3A,0x1C,0x7C,
0xC9}
```

EFI\_IP4\_PROTOCOL\_GUID

## GUID

```
#define EFI_IP4_PROTOCOL_GUID \
{0x41d94cd2,0x35b6,0x455a,0x82,0x58,0xd4,0xe5,0x13,0x34,0xaa,
0xdd}
```

EFI\_IP4\_SERVICE\_BINDING\_PROTOCOL\_GUID

## GUID

```
#define EFI_IP4_SERVICE_BINDING_PROTOCOL_GUID \
{0xc51711e7,0xb4bf,0x404a,0xbf,0xb8,0x0a,0x04,0x8e,0xf1,0xff,
0xe4}
```

EFI\_IP4\_CONFIG\_PROTOCOL\_GUID

## GUID

```
#define EFI_IP4_CONFIG_PROTOCOL_GUID \
{0x3b95aa31,0x3793,0x434b,0x86,0x67,0xc8,0x07,0x08,0x92,0xe0,
0x5e}
```

EFI\_UDP4\_PROTOCOL\_GUID

## GUID

```
#define EFI_UDP4_PROTOCOL_GUID \
{0x3ad9df29,0x4501,0x478d,0xb1,0xf8,0x7f,0x7f,0xe7,0x0e,0x50,
0xf3}
```

EFI\_UDP4\_SERVICE\_BINDING\_PROTOCOL\_GUID

## GUID

```
#define EFI_UDP4_SERVICE_BINDING_PROTOCOL_GUID \
{0x83f01464,0x99bd,0x45e5,0xb3,0x83,0xaf,0x63,0x05,0xd8,0xe9,
0xe6}
```

EFI\_MTFTP4\_PROTOCOL\_GUID

## GUID

```
#define EFI_MTFTP4_PROTOCOL_GUID \
{0x78247c57,0x63db,0x4708,0x99,0xc2,0xa8,0xb4,0xa9,0xa6,0x1f,0x6b}
```

EFI\_MTFTP4\_SERVICE\_BINDING\_PROTOCOL\_GUID

## GUID

```
#define EFI_MTFTP4_SERVICE_BINDING_PROTOCOL_GUID \
{0x2FE800BE,0x8F01,0x4aa6,0x94,0x6B,0xD7,0x13,0x88,0xE1,0x83,
0x3F}
```

EFI\_AUTHENTICATION\_CHAP\_RADIUS\_GUID

## GUID

```
#define EFI_AUTHENTICATION_CHAP_RADIUS_GUID \
{0xd6062b50,0x15ca,0x11da,0x92,0x19,0x00,0x10,0x83,0xff,0xca,
0x4d}
```

EFI\_AUTHENTICATION\_CHAP\_LOCAL\_GUID

## GUID

```
#define EFI_AUTHENTICATION_CHAP_LOCAL_GUID \
    {0xc280c73e,0x15ca,0x11da,0xb0,0xca,0x00,0x10,0x83,0xff,0xca,
    0x4d}
```

- 2) Page 26, Section 2.3.2, IA-32 Platforms. Replace the NOTE with the following:

**Note:** *Note: Previous EFI specifications allowed ACPI tables loaded at runtime to be in the EfiReservedMemoryType and there was no guidance provided for other EFI Configuration Tables. EfiReservedMemoryType is not intended to be used for the storage of any EFI Configuration Tables. UEFI 2.0 intends to clarify the situation moving forward. Also, only OSeS conforming to UEFI 2.0 are guaranteed to handle SMBIOS tables in memory of type EfiBootServicesData.*

- 3) PAGE 35, Table 6. Delete DEVICE\_IO as an UEFI protocol.

- 4) Page 69, Section 4.3, EFI\_System\_Table, Related Definitions.

Add "#define EFI\_SPECIFICATION\_VERSION EFI\_SYSTEM\_TABLE\_REVISION" and change "#define EFI\_SYSTEM\_TABLE\_REVISION ((2<<16) | (10))" to "#define EFI\_SYSTEM\_TABLE\_REVISION EFI\_2\_10\_SYSTEM\_TABLE\_REVISION"

```
#define EFI_SYSTEM_TABLE_SIGNATURE 0x5453595320494249
#define EFI_2_10_SYSTEM_TABLE_REVISION ((2<<16) | (10))
#define EFI_2_00_SYSTEM_TABLE_REVISION ((2<<16) | (00))
#define EFI_1_10_SYSTEM_TABLE_REVISION ((1<<16) | (10))
#define EFI_1_02_SYSTEM_TABLE_REVISION ((1<<16) | (02))
#define EFI_SYSTEM_TABLE_REVISION EFI_2_10_SYSTEM_TABLE_REVISION
#define EFI_SPECIFICATION_VERSION EFI_SYSTEM_TABLE_REVISION
```

- 5) Page 71, Section 4.4, , Related Definitions.

Replace "#define EFI\_BOOT\_SERVICES\_REVISION ((2<<16) | (00))" with "#define EFI\_BOOT\_SERVICES\_REVISION EFI\_SPECIFICATION\_VERSION" to read as follows:

```
#define EFI_BOOT_SERVICES_SIGNATURE 0x56524553544f4f42
#define EFI_BOOT_SERVICES_REVISION EFI_SPECIFICATION_VERSION
```

- 6) Page 71, Section 4.5, Related Definitions.

Replace "#define EFI\_RUNTIME\_SERVICES\_REVISION ((2<<16) | (00))" with "#define EFI\_RUNTIME\_SERVICES\_REVISION EFI\_SPECIFICATION\_VERSION" to read as follows:

```
#define EFI_RUNTIME_SERVICES_SIGNATURE 0x56524553544e5552
#define EFI_RUNTIME_SERVICES_REVISION EFI_SPECIFICATION_VERSION
```

## UEFI Specification 2.0 Errata

### 7) Page 72, Section 4.4.

Member "VOID \*Reserved" of EFI\_BOOT\_SERVICES structure is defined by EFI 1.10 but removed by UEFI 2.0. This is a place holder to keep the boot services table aligned properly. It should be defined in UEFI 2.0 specification. The Protocol Handler Services area of Related Definitions in Section 4.4, EFI Boot Service Table should read as follows:

```
// Protocol Handler Services
//
EFI_INSTALL_PROTOCOL_INTERFACE    InstallProtocolInterface; // EFI 1.0+
EFI_REINSTALL_PROTOCOL_INTERFACE  ReinstallProtocolInterface; // EFI 1.0+
EFI_UNINSTALL_PROTOCOL_INTERFACE  UninstallProtocolInterface; // EFI 1.0+
EFI_HANDLE_PROTOCOL              HandleProtocol; // EFI 1.0+
VOID*                             Reserved; // EFI 1.0+
EFI_REGISTER_PROTOCOL_NOTIFY      RegisterProtocolNotify; // EFI 1.0+
EFI_LOCATE_HANDLE                 LocateHandle; // EFI 1.0+
EFI_LOCATE_DEVICE_PATH            LocateDevicePath; // EFI 1.0+
EFI_INSTALL_CONFIGURATION_TABLE    InstallConfigurationTable; // EFI 1.0+
```

### 8) Page 123. Add the following NOTE to AllocatePages():

**Note:** Note: UEFI Applications, UEFI Drivers, and UEFI OS Loaders must not allocate memory of type EfiReservedMemoryType.

### 9) Page 131, add the following NOTE to AllocatePool():

**Note:** Note: UEFI Applications, UEFI Drivers, and UEFI OS Loaders must not allocate memory of type EfiReservedMemoryType.

### 10) Page 191, Section 6.4, third paragraph.

Change the description into the following, substituting **UnloadImage()** for **Unload()**:

It is valid to call **Exit()** or **UnloadImage()** for an image that was loaded by **LoadImage()** before calling **StartImage()**. This will free the image from memory without having started it.

11) Page 212, Section 7.1, SetVariable() Description and Status Code Returned.

Add a new return status code EFI\_NOT\_FOUND to SetVariable service to read as follows:

**EFI\_VARIABLE\_NON\_VOLATILE** variables are stored in fixed hardware that has a limited storage capacity; sometimes a severely limited capacity. Software should only use a nonvolatile variable when absolutely necessary. In addition, if software uses a nonvolatile variable it should use a variable that is only accessible at boot services time if possible.

A variable must contain one or more bytes of *Data*. Using **SetVariable()** with a *DataSize* of zero causes the entire variable to be deleted. The space consumed by the deleted variable may not be available until the next power cycle.

The Attributes have the following usage rules:

- Storage attributes are only applied to a variable when creating the variable. If a preexisting variable is rewritten with different attributes, the result is indeterminate and may vary between implementations. The correct method of changing the attributes of a variable is to delete the variable and recreate it with different attributes. There is one exception to this rule. If a preexisting variable is rewritten with no access attributes specified, the variable will be deleted.
- Setting a data variable with no access attributes, or zero *DataSize* specified, causes it to be deleted.
- Runtime access to a data variable implies boot service access. Attributes that have **EFI\_VARIABLE\_RUNTIME\_ACCESS** set must also have **EFI\_VARIABLE\_BOOTSERVICE\_ACCESS** set. The caller is responsible for following this rule.
- Once **ExitBootServices()** is performed, data variables that did not have **EFI\_VARIABLE\_RUNTIME\_ACCESS** set are no longer visible to **GetVariable()**.
- Once **ExitBootServices()** is performed, only variables that have **EFI\_VARIABLE\_RUNTIME\_ACCESS** and **EFI\_VARIABLE\_NON\_VOLATILE** set can be set with **SetVariable()**. Variables that have runtime access but that are not nonvolatile are read-only data variables once **ExitBootServices()** is performed.

The only rules the firmware must implement when saving a nonvolatile variable is that it has actually been saved to nonvolatile storage before returning **EFI\_SUCCESS**, and that a partial save is not performed. If power fails during a call to **SetVariable()** the variable may contain its previous value, or its new value. In addition there is no read, write, or delete security protection.

### Status Codes Returned

EFI_SUCCESS	The firmware has successfully stored the variable and its data as defined by the Attributes.
EFI_INVALID_PARAMETER	An invalid combination of attribute bits was supplied, or the <i>DataSize</i> exceeds the maximum allowed.
EFI_INVALID_PARAMETER	<i>VariableName</i> is an empty Unicode string.
EFI_OUT_OF_RESOURCES	Not enough storage is available to hold the variable and its data.
EFI_DEVICE_ERROR	The variable could not be saved due to a hardware failure.
EFI_WRITE_PROTECTED	The variable in question is read-only.
EFI_NOT_FOUND	The variable trying to be updated or deleted was not found.

## 12) Page 213, Section 7.1.

Changes to clarify the expected results from the QueryVariable output fields. Prototype and Description should read as follows:

## Prototype

```
typedef
EFI_STATUS
QueryVariableInfo (
    IN UINT32             Attributes,
    OUT UINT64           *MaximumVariableStorageSize,
    OUT UINT64           *RemainingVariableStorageSize,
    OUT UINT64           *MaximumVariableSize
);
```

<i>Attributes</i>	Attributes bitmask to specify the type of variables on which to return information. Refer to the <b>GetVariable()</b> function description.
<i>MaximumVariableStorageSize</i>	On output the maximum size of the storage space available for the EFI variables associated with the attributes specified.
<i>RemainingVariableStorageSize</i>	Returns the remaining size of the storage space available for EFI variables associated with the attributes specified.
<i>MaximumVariableSize</i>	Returns the maximum size of an individual EFI variable associated with the attributes specified.

## Description

The **QueryVariableInfo()** function allows a caller to obtain the information about the maximum size of the storage space available for the EFI variables, the remaining size of the storage space available for the EFI variables and the maximum size of each individual EFI variable, associated with the attributes specified.

The *MaximumVariableSize* value will reflect the overhead associated with the saving of a single EFI variable with the exception of the overhead associated with the length of the string name of the EFI variable.

The returned *MaximumVariableStorageSize*, *RemainingVariableStorageSize*, *MaximumVariableSize* information may change immediately after the call based on other runtime activities including asynchronous error events. Also, these values associated with different attributes are not additive in nature.

## 13) Page 213, Section 7.2.

Correct errors for the PCI device node text representations and clarify the AppendDeviceNode and AppendDevicePath functions regarding what should happen when the device path & device nodes are NULL. The Description should read as follows:

## Description

The `QueryVariableInfo()` function allows a caller to obtain the information about the maximum size of the storage space available for the EFI variables, the remaining size of the storage space available for the EFI variables and the maximum size of each individual EFI variable, associated with the attributes specified.

The `RemainingVariableStorageSize` value will reflect the overhead associated with the saving of a single EFI variable with the exception of the overhead associated with the length of the string name of the EFI variable.

The returned `MaximumVariableStorageSize`, `RemainingVariableStorageSize`, `MaximumVariableSize` information may change immediately after the call based on other runtime activities including asynchronous error events. Also, these values associated with different attributes are not additive in nature.

After the system has transitioned into runtime (after `ExitBootServices()` is called), an implementation may not be able to accurately return information about the Boot Services variable store. In such cases, `EFI_INVALID_PARAMETER` should be returned.

- 14) Page 227, Section 7.4.1, `ResetSystem()`, Description. Delete last sentence from the fourth paragraph of the Description, to read as follows:

Calling this interface with `ResetType` of `EfiResetShutdown` causes the system to enter a power state equivalent to the ACPI G2/S5 or G3 states. If the system does not support this reset type, then when the system is rebooted, it should exhibit the `EfiResetCold` attributes.

- 15) Page 230, Section 7.4.3.

The UpdateCapsule API description should read as follows.

```
typedef
EFI_STATUS
UpdateCapsule (
    IN EFI_CAPSULE_HEADER    **CapsuleHeaderArray,
    IN UINTN                  CapsuleCount,
    IN EFI_PHYSICAL_ADDRESS   ScatterGatherList OPTIONAL
);
```

- 16) Page 231, `UpdateCapsule()`, Related Definitions. This should have `Union` added to the next to last line and formatting corrected, to read as follows:

```
typedef struct (
    UINT64                Length;
    union {
        EFI_PHYSICAL_ADDRESS   DataBlock;
        EFI_PHYSICAL_ADDRESS   ContinuationPointer;
    } Union;
) EFI_CAPSULE_BLOCK_DESCRIPTOR;
```



- 17) Page 232, Section 7.4.3, UpdateCapsule(), Description. Replace the next to the last (third) paragraph of section 7.4.3 Description to read as follows:

A capsule which has the **CAPSULE\_FLAGS\_POPULATE\_SYSTEM\_TABLE** *Flag* must have **CAPSULE\_FLAGS\_PERSIST\_ACROSS\_RESET** set in its header as well. Firmware that processes a capsule that has the **CAPSULE\_FLAGS\_POPULATE\_SYSTEM\_TABLE** *Flag* set in its header will coalesce the contents of the capsule from the *ScatterGatherList* into a contiguous buffer and must then place a pointer to this coalesced capsule in the EFI System Table after the system has been reset. Agents searching for this capsule will look in the **EFI\_CONFIGURATION\_TABLE** and search for the capsule’s GUID and associated pointer to retrieve the data after the reset.

**Table (#) Flag Firmware Behavior**

Flags	Firmware Behavior
No Specification defined flags	Firmware attempts to immediately processes or launch the capsule. If capsule is not recognized, can expect an error.
CAPSULE_FLAGS_PERSIST_ACROSS_RESET	Firmware will attempt to process or launch the capsule across a reset. If capsule is not recognized, can expect an error. If the processing requires a reset which is unsupported by the platform, expect an error.
CAPSULE_FLAGS_PERSIST_ACROSS_RESET + CAPSULE_FLAGS_POPULATE_SYSTEM_TABLE	Firmware will coalesce the capsule from the ScatterGatherList into a contiguous buffer and place a pointer to the coalesced capsule in the EFI System Table. Platform recognition of the capsule type is not required. If the action requires a reset which is unsupported by the platform, expect an error.

The EFI System Table entry must use the GUID from the *CapsuleGuid* field of the **EFI\_CAPSULE\_HEADER**. The EFI System Table entry must point to an array of capsules that contain the same *CapsuleGuid* value. The array must be prefixed by a **UINT32** that represents the size of the array of capsules.

- 18) Page 234, Section 7.4.3.

In the UpdateCapsule API Description, the last paragraph before Status Codes Returned should read as follows:

The set of capsules is pointed to by *ScatterGatherList* and *CapsuleHeaderArray* so the firmware will know both the physical and virtual addresses of the operating system allocated buffers. The scatter-gather list supports the situation where the virtual address range of a capsules is contiguous, but the physical address are not. See 6.1.1 for more complete definition of capsule construction.

If any of the capsules that are passed into this function encounter an error, the entire set of capsules will not be processed and the error encountered will be returned to the caller.

19) Page 234, Section 7.4.3.

In the UpdateCapsule Description, the Status Codes Returned table should read as follows.

**Status Codes Returned**

EFI_SUCCESS	Valid capsule was passed.   Valid capsule was passed. If CAPSULE_FLAGS_PERSIT_ACROSS_RESET is not set, the capsule has been successfully processed by the firmware.
EFI_INVALID_PARAMETER	<i>CapsuleImageSize</i> or <i>HeaderSize</i> is <b>NULL</b> .
EFI_INVALID_PARAMETER	<i>CapsuleCount</i> is 0.
EFI_DEVICE_ERROR	The capsule update was started, but failed due to a device error.
EFI_UNSUPPORTED	The capsule type is not supported on this platform.
EFI_OUT_OF_RESOURCES	There were insufficient resources to process the capsule.

20) Page 235, Section 7.4.3.

Delete the QueryCapsuleCapabilities Description third paragraph (shown here with strikethrough text to emphasize deletion):

~~The firmware must support any capsule that has the **CAPSULE\_FLAGS\_PERSIST\_ACROSS\_RESET** flag set in **EFI\_CAPSULE\_HEADER**. The firmware sets the policy for what capsules are supported that do not have the **CAPSULE\_FLAGS\_PERSIST\_ACROSS\_RESET** flag set.~~

21) Page 235, Section 7.4.3.1.

In QueryCapsuleCapabilities the Prototype description for *MaxiumCapsuleSize* should read as follows:

*MaximumCapsuleSize*            On output the maximum size in bytes that **UpdateCapsule()** can support as an argument to **UpdateCapsule()** via *CapsuleHeaderArray* and *ScatterGatherList*. Undefined on input.

22) Page 238, Section 7.4.3.

In the QueryCapsuleCapabilities Description, the Status Codes Returned table should read as follows.

**Status Codes Returned**

EFI_SUCCESS	Valid answer returned.
EFI_INVALID_PARAMETER	MaximumCapsuleSize is NULL.
EFI_UNSUPPORTED	The capsule type is not supported on this platform, and MaximumCapsuleSize and ResetType are undefined.
EFI_OUT_OF_RESOURCES	There were insufficient resources to process the query request.

## UEFI Specification 2.0 Errata

**23)** Page 261, Section 9.3.5.17.2. The first sentence of this section should read as follows:

Second Byte (At offset 41 into the structure). Valid only if bits 0-3 of More Information in Byte 40 have a value of 2:

**24)** Page 263, Section 9.3.5.18.

Change Table 60 to read as follows:

**Table 60. iSCSI Device Path Node (Base Information)**

Mnemonic	Byte Offset	Byte Length	Description
Type	0	1	Type 3 – Messaging Device Path
Sub-Type	1	1	Sub-Type 19 – iSCSI
Length	2	2	Length of this structure in bytes. Length is (18 + n) Bytes
Protocol	4	2	Network Protocol (0 = TCP, 1+ = reserved)
Options	6	2	iSCSI Login Options
Logical Unit Number	8	8	SCSI Logical Unit Number
Target Portal group tag	16	2	iSCSI Target Portal group tag the initiator intends to establish a session with.
iSCSI Target Name	18	n	iSCSI NodeTarget Name. The length of the name is determined by subtracting the offset of this field from <i>Length</i> .

**25)** Page 277, Section 9.5.1.6.

In Table 70, the Type 1, SubType 3 row for **MemoryMapped** and the Type 1, SubType 4 row for **venH** should read as follows:

Type: 1 (Hardware Device Path) SubType: 3 (Memory Mapped)	<p><b>MemoryMapped</b>( <i>EfiMemoryType</i>, <i>StartingAddress</i>, <i>EndingAddress</i> )</p> <p>The <i>EfiMemoryType</i> is a 32-bit integer and is required. The <i>StartingAddress</i> and <i>EndingAddress</i> are both 64-bit integers and are both required.</p>
Type: 1 (Hardware Device Path) SubType: 4 (Vendor)	<p><b>VenHw</b>( <i>Guid</i>, <i>Data</i> )</p> <p>The <i>Guid</i> is a GUID and is required. The <i>Data</i> is a Hex Dump and is optional. The default value is zero bytes.</p>

**26)** Page 279, Section 9.5.1.6.

In Table 70, the Type 2, SubType2 row for **AcpiEx** should read as follows:

<p>Type: 2 (ACPI Device Path)</p> <p>SubType: 2 (ACPI Expanded Device Path)</p>	<p><b>AcpiEx</b>(<i>HID, CID, UID, HIDSTR, CIDSTR, UIDSTR</i>)</p> <p><b>AcpiEx</b>(<i>HID HIDSTR, UID UIDSTR, CID CIDSTR</i>)</p> <p>(Display Only)</p> <p>The <i>HID</i> parameter is an EISAID. The default value is 0. Either <i>HID</i> or <i>HIDSTR</i> must be present.</p> <p>The <i>CID</i> parameter is an EISAID. The default value is 0. Either <i>CID</i> must be 0 or <i>CIDSTR</i> must be empty.</p> <p>The <i>UID</i> parameter is an integer. The default value is 0. Either <i>UID</i> must be 0 or <i>UIDSTR</i> must be empty.</p> <p>The <i>HIDSTR</i> is a string. The default value is the empty string. Either <i>HID</i> or <i>HIDSTR</i> must be present.</p> <p>The <i>CIDSTR</i> is a string. The default value is an empty string. Either <i>CID</i> must be 0 or <i>CIDSTR</i> must be empty.</p> <p>The <i>UIDSTR</i> is a string. The default value is an empty string. Either <i>UID</i> must be 0 or <i>UIDSTR</i> must be empty.</p>
---	--

**27)** Page 280, Section 9.5.1.6.

In Table 70, the Type 3, SubType 9 row for **Infiniband** should read as follows:

<p>Type: 3 (Messaging Device Path)</p> <p>SubType: 9 (Infiniband)</p>	<p><b>Infiniband</b> (<i>Flags, Guid, ServiceId, TargetId, DeviceId</i>)</p> <p><i>Flags</i> is an integer.</p> <p><i>Guid</i> is a guid.</p> <p><i>ServiceId, TargetId</i> and <i>DeviceId</i> are 64-bit unsigned integers.</p> <p>All fields are required.</p>
---	---

**28)** Page 277, Table 70.

Text for PCI, second column should be:

**Pci** (*Device, Function*)

The *Device* is an integer from 0-31 and is required.

The *Function* is an integer from 0-7 and is required.

## UEFI Specification 2.0 Errata

### 29) Page 283, Section 9.5.1.6.

In Table 70, the Type 3, SubType11 row for **MAC** should read as follows:

Type: 3 (Messaging Device Path) SubType: 11 (MAC Address)	<b>MAC</b> ( <i>MacAddr, IFType</i> )  The <i>MacAddr</i> is a Hex Dump and is required. If <i>IFType</i> is 0 or 1, then the <i>MacAddr</i> must be exactly six bytes.  The <i>IFType</i> is an integer from 0-255 and is optional. The default is zero.
--	---

### 30) Page 283, Section 9.5.1.6.

In Table 70, the Type 3, SubType15, Class 1 row for **UsbAudio** should read as follows:

Type: 3 (Messaging Device Path) SubType: 15 (USB Class) Class 1	<b>UsbAudio</b> ( <i>VID, PID, SubClass, Protocol</i> )  The <i>VID</i> is an integer between 0 and 65535 and is optional. The default value is 0xFFFF.  The <i>PID</i> is an integer between 0 and 65535 and is optional. The default value is 0xFFFF.  The <i>SubClass</i> is an integer between 0 and 255 and is optional. The default value is 0xFF.  The <i>Protocol</i> is an integer between 0 and 255 and is optional. The default value is 0xFF.
---	---

### 31) Page 286, Section 9.5.1.6.

In Table 70, the Type 3, SubType15, Class 7 row for **UsbPrinter** should read as follows:

Type: 3 (Messaging Device Path) SubType: 15 (USB Class) Class 7	<b>UsbPrinter</b> ( <i>VID, PID, SubClass, Protocol</i> )  The <i>VID</i> is an integer between 0 and 65535 and is optional. The default value is 0xFFFF.  The <i>PID</i> is an integer between 0 and 65535 and is optional. The default value is 0xFFFF.  The <i>SubClass</i> is an integer between 0 and 255 and is optional. The default value is 0xFF.  The <i>Protocol</i> is an integer between 0 and 255 and is optional. The default value is 0xFF.
---	---

## UEFI Specification 2.0 Errata

### 32) Page 287, Section 9.5.1.6,.

In Table 70, the Type 3, SubType15, Class 11 row for **UsbSmartCard** should read as follows:

Type: 3 (Messaging Device Path) SubType: 15 (USB Class) Class 11	<b>UsbSmartCard</b> ( <i>VID, PID, SubClass, Protocol</i> )  The <i>VID</i> is an integer between 0 and 65535 and is optional. The default value is 0xFFFF. The <i>PID</i> is an integer between 0 and 65535 and is optional. The default value is 0xFFFF. The <i>SubClass</i> is an integer between 0 and 255 and is optional. The default value is 0xFF. The <i>Protocol</i> is an integer between 0 and 255 and is optional. The default value is 0xFF.
--	---

### 33) Page 288, Section 9.5.1.6,.

In Table 70, the Type 3, SubType15, Class 254, SubClass 1 row for **UsbDeviceFirmwareUpdate** should read as follows:

Type: 3 (Messaging Device Path) SubType: 15 (USB Class) Class 254 SubClass: 1	<b>UsbDeviceFirmwareUpdate</b> ( <i>VID, PID, Protocol</i> )  The <i>VID</i> is an integer between 0 and 65535 and is optional. The default value is 0xFFFF. The <i>PID</i> is an integer between 0 and 65535 and is optional. The default value is 0xFFFF. The <i>Protocol</i> is an integer between 0 and 255 and is optional. The default value is 0xFF.
--	---

### 34) Page 289, Section 9.5.2.

EFI\_DEVICE\_PATH\_UTILITIES\_PROTOCOL GUID and Protocol Interface Structure should read as follows:

## GUID

```
#define EFI_DEVICE_PATH_UTILITIES_PROTOCOL_GUID \
    {0x0379be4e, 0xd706, 0x437d, \
     0xb0, 0x37, 0xed, 0xb8, 0x2f, 0xb7, 0x72, 0xa4 }
```

## Protocol Interface Structure

```
typedef struct _EFI_DEVICE_PATH_UTILITIES_PROTOCOL {
    EFI_DEVICE_PATH_UTILS_GET_DEVICE_PATH_SIZE    GetDevicePathSize;
    EFI_DEVICE_PATH_UTILS_DUP_DEVICE_PATH        DuplicateDevicePath;
    EFI_DEVICE_PATH_UTILS_APPEND_PATH            AppendDevicePath;
    EFI_DEVICE_PATH_UTILS_APPEND_NODE            AppendDeviceNode;
    EFI_DEVICE_PATH_UTILS_APPEND_INSTANCE        AppendDevicePathInstance;
    EFI_DEVICE_PATH_UTILS_GET_NEXT_INSTANCE      GetNextDevicePathInstance;
    EFI_DEVICE_PATH_UTILS_IS_MULTI_INSTANCE      IsDevicePathMultiInstance;
    EFI_DEVICE_PATH_UTILS_CREATE_NODE            CreateDeviceNode;
} EFI_DEVICE_PATH_UTILITIES_PROTOCOL;
```

### 35) Page 290, Section 9.5.1.6.

In Table 70, the Type 4 row for **MediaPath** and Type 4 , SubType1 row for **HD** should read as follows:

<p>Type: 4</p>	<p><b>MediaPath(subtype, data)</b></p> <p>The <i>subtype</i> is an integer from 0-255 and is required.</p> <p>The <i>data</i> is a hex dump.</p>
<p>Type: 4 (Media Device Path)</p> <p>SubType: 1 (Hard Drive)</p>	<p><b>HD(Partition,Type,Signature,Start, Size)</b>  <b>HD(Partition,Type,Signature) (Display Only)</b></p> <p>The <i>Partition</i> is an integer representing the partition number. It is optional and the default is 0. If <i>Partition</i> is 0, then <i>Start</i> and <i>Size</i> are prohibited.</p> <p>The <i>Type</i> is an integer between 0-255 or else the keyword <b>MBR</b> (1) or <b>GPT</b> (2). The type is optional and the default is 2.</p> <p>The <i>Signature</i> is an integer if <i>Type</i> is 1 or else GUID if <i>Type</i> is 2. The signature is required.</p> <p>The <i>Start</i> is a 64-bit unsigned integer. It is prohibited if <i>Partition</i> is 0. Otherwise it is required.</p> <p>The <i>Size</i> is a 64-bit unsigned integer. It is prohibited if <i>Partition</i> is 0. Otherwise it is required.</p>

## UEFI Specification 2.0 Errata

### 36) Page 291, Section 9.5.2.

EFI\_DEVICE\_PATH\_UTILITIES.GetDevicePathSize Prototype, Parameters and Description should read as follows:

#### Prototype

```
typedef
UINTN
(EFI_API *EFI_DEVICE_PATH_GET_DEVICE_PATH_SIZE) (
    IN CONST EFI_DEVICE_PATH* DevicePath
);
```

#### Parameters

*DevicePath*

Points to the start of the EFI device path (or **NULL**).

#### Description

This function returns the size of the specified device path, in bytes, including the end-of-path tag. If *DevicePath* is **NULL** then zero is returned.

### 37) Page 292 Section 9.5.2.

EFI\_DEVICE\_PATH\_UTILITIES\_PROTOCOL.DuplicateDevicePath Prototype, Parameters and Description should read as follows:

#### Parameters

*DevicePath*

Points to the source device path or **NULL**.

#### Description

This function creates a duplicate of the specified device path. The memory is allocated from EFI boot services memory. It is the responsibility of the caller to free the memory allocated. If *DevicePath* is **NULL** then **NULL** will be returned and no memory will be allocated.

### 38)

Page 292, Section 9.5.2 (EFI\_DEVICE\_PATH\_UTILITIES\_PROTOCOL)

The function prototypes for all functions need to be changed to include `_UTILS` per the following table:

<code>EFI_DEVICE_PATH_GET_DEVICE_PATH_SIZE</code>	<code>EFI_DEVICE_PATH_UTILS_GET_DEVICE_PATH_SIZE</code>
<code>EFI_DEVICE_PATH_DUP_DEVICE_PATH</code>	<code>EFI_DEVICE_PATH_UTILS_DUP_DEVICE_PATH</code>
<code>EFI_DEVICE_PATH_APPEND_DEVICE_PATH</code>	<code>EFI_DEVICE_PATH_UTILS_APPEND_DEVICE_PATH</code>
<code>EFI_DEVICE_PATH_APPEND_DEVICE_NODE</code>	<code>EFI_DEVICE_PATH_UTILS_APPEND_DEVICE_NODE</code>
<code>EFI_DEVICE_PATH_APPEND_DEVICE_PATH_INSTANCE</code>	<code>EFI_DEVICE_PATH_UTILS_APPEND_DEVICE_PATH_INS</code>
<code>EFI_DEVICE_PATH_GET_NEXT_INSTANCE</code>	<code>EFI_DEVICE_PATH_UTILS_GET_NEXT_INSTANCE</code>
<code>EFI_DEVICE_PATH_CREATE_NODE</code>	<code>EFI_DEVICE_PATH_UTILS_CREATE_NODE</code>



**39)** Page 292, Section 9.5.2.

EFI\_DEVICE\_PATH\_UTILITIES\_PROTOCOL.DuplicateDevicePath Prototype should read as follows :

**Prototype**

```
typedef
EFI_DEVICE_PATH*
(EFI_API *EFI_DEVICE_PATH_DUP_DEVICE_PATH) (
    IN CONST EFI_DEVICE_PATH* DevicePath
);
```

**40)** Page 293Section 9.5.2.

AppendDevicePath paramenters, etc., should read as follows:

**Parameters**

*Src1* Points to the first device path.

*Src2* Points to the second device path.

**Description**

This function creates a new device path by appending a copy of the second device path to a copy of the first device path in a newly allocated buffer. Only the end-of-device-path device node from the second device path is retained. If *Src1* is **NULL** and *Src2* is non-**NULL**, then a duplicate of *Src2* is returned. If *Src1* is non-**NULL** and *Src2* is **NULL**, then a duplicate of *Src1* is returned. If *Src1* and *Src2* are both **NULL**, then a copy of an end-of-device-path is returned.

The memory is allocated from EFI boot services memory. It is the responsibility of the caller to free the memory allocated.

**Returns**

This function returns a pointer to the newly created device path or **NULL** if memory could not be allocated.

### 41) Page 293, Section 9.5.2.

EFI\_DEVICE\_PATH\_UTILITIES\_PROTOCOL.AppendDevicePath Prototype should read as follows :

#### Prototype

```
typedef
EFI_DEVICE_PATH*
(EFI_API *EFI_DEVICE_PATH_APPEND_DEVICE_PATH)
    IN CONST EFI_DEVICE_PATH* Src1,
    IN CONST EFI_DEVICE_PATH* Src2
    );
```

### 42) Page 29, 4Section 9.5.2.

AppendDeviceNode parameters, etc., should read as follows:

#### Parameters

*DevicePath* Points to the device path.

*DeviceNode* Points to the device node.

#### Description

This function creates a new device path by appending a copy of the specified device node to a copy of the specified device path in an allocated buffer. The end-of-device-path device node is moved after the end of the appended device node. If *DeviceNode* is NULL then a copy of *DevicePath* is returned. If *DevicePath* is **NULL** then a copy of *DeviceNode*, followed by an end-of-device path device node is returned. If both *DeviceNode* and *DevicePath* are **NULL** then a copy of an end-of-device-path device node is returned.

The memory is allocated from EFI boot services memory. It is the responsibility of the caller to free the memory allocated.

#### Returns

This function returns a pointer to the allocated device path or NULL if there was insufficient memory.

### 43) Page 297, Section 9.5.2.

EFI\_DEVICE\_PATH\_UTILITIES\_PROTOCOL.CreateDeviceNode Prototype should read as follows :

#### Prototype

```
typedef
EFI_DEVICE_PATH*
(EFI_API *EFI_DEVICE_PATH_CREATE_NODE) (
    IN UINT8 NodeType,
    IN UINT8 NodeSubType,
    IN UINT16 NodeLength
    );
```

44) Page 296, Section 9.5.2.

EFI\_DEVICE\_PATH\_UTILITIES\_PROTOCOL.GetNextDevicePathInstance Prototype and Parameters should read as follows :

**Prototype**

```
typedef
EFI_DEVICE_PATH_PROTOCOL*
(EFI_API *EFI_DEVICE_PATH_GET_NEXT_INSTANCE) (
    IN OUT EFI_DEVICE_PATH_PROTOCOL **DevicePathInstance,
    OUT UINTN *DevicePathInstanceSize OPTIONAL
);
```

**Parameters**

*DevicePathInstance*

On input, this holds the pointer to the current device path instance. On output, this holds the pointer to the next device path instance or **NULL** if there are no more device path instances in the device path.

*DevicePathInstanceSize*

On output, this holds the size of the device path instance, in bytes or zero, if *DevicePathInstance* is **NULL**. If **NULL**, then the instance size is not output.

45) Page 339, Section 10.4, EFI Driver Configuration Protocol  
EFI\_DRIVER\_CONFIGURATION\_PROTOCOL. Replace the Protocol Interface structure with the following:

```
typedef struct _EFI_DRIVER_CONFIGURATION2_PROTOCOL {
    EFI_DRIVER_CONFIGURATION_SET_OPTIONS           SetOptions;
    EFI_DRIVER_CONFIGURATION_OPTIONS_VALID         OptionsValid;
    EFI_DRIVER_CONFIGURATION_FORCE_DEFAULTS       ForceDefaults;
    CHAR8                                           SupportedLanguages;
} EFI_DRIVER_CONFIGURATION2_PROTOCOL;
```

46) Page 339and following, Section 10.4:.  
Change all references to EFI\_DRIVER\_CONFIGURATION\_PRTOCOL to  
EFI\_DRIVER\_CONFIGURATION2\_PROTOCOL, including all  
EFI\_DRIVER\_CONFIGURATION\_PROTOCOL function names.

47) Page 349; Section 10.5 EFI Driver Diagnostoics  
Protocol,EFI\_DRIVER\_DIAGNOSTICS\_PROTOCOL. Replaces the Protocol Interface  
Structure with the following:

```
typedef struct _EFI_DRIVER_DIAGNOSTICS2_PROTOCOL {
    EFI_DRIVER_DIAGNOSTICS_RUN_DIAGNOSTICS       RunDiagnostics;
    CHAR8                                           SupportedLanguages;
} EFI_DRIVER_DIAGNOSTICS2_PROTOCOL;
```

48) ) Page 349, ;Section 10.5,and following. **UEFI\_CAPSULE\_BLOCK\_DESCRIPTOR**  
 Change all references to EFI\_DRIVER\_DIAGNOSTICS\_PROTOCOL to  
 EFI\_DRIVER\_DIAGNOSTICS2\_PROTOCOL, including all  
 EFI\_DRIVER\_DIAGNOSTICS\_PROTOCOL function names.

49) Page 352, Section 10.5.

To the Status Codes Returned, add a return code to the  
 EFI\_DRIVER\_DIAGNOSTICS\_PROTOCOL.RunDiagnostics() function. Add The following return  
 code between the first return code (EFI\_SUCCESS) and second return code EFI\_VALID  
 \_PARAMETER):

EFI_ACCESS_DENIED	The request for initiating diagnostics was unable to be completed due to some underlying hardware or software state.
-------------------	--

50) Pages 353 and following, Section 10.6. Replace all of the section 10.6 content with the following content:

## EFI Component Name Protocol

This section provides a detailed description of the **EFI\_COMPONENT\_NAME2\_PROTOCOL**. This is a protocol that allows an driver to provide a user readable name of a UEFI Driver, and a user readable name for each of the controllers that the driver is managing. This protocol is used by platform management utilities that wish to display names of components. These names may include the names of expansion slots, external connectors, embedded devices, and add-in devices.

## EFI\_COMPONENT\_NAME2\_PROTOCOL

### Summary

Used to retrieve user readable names of drivers and controllers managed by UEFI Drivers.

### GUID

```
#define EFI_COMPONENT_NAME2_PROTOCOL_GUID \
    {0x6a7a5cff, 0xe8d9, 0x4f70, 0xba, 0xda, 0x75, 0xab, 0x30,
    0x25, 0xce, 0x14}
```

### Protocol Interface Structure

```
typedef struct EFI_COMPONENT_NAME2_PROTOCOL {
    EFI_COMPONENT_NAME_GET_DRIVER_NAME    GetDriverName;
    EFI_COMPONENT_NAME_GET_CONTROLLER_NAME GetControllerName;
    CHAR8                                  *SupportedLanguages;
} EFI_COMPONENT_NAME2_PROTOCOL;
```

### Parameters

*GetDriverName* Retrieves a Unicode string that is the user readable name of the driver. See the [GetDriverName\(\)](#) function description.

*GetControllerName* Retrieves a Unicode string that is the user readable name of a controller that is being managed by a driver. See the [GetControllerName\(\)](#) function description.

*SupportedLanguages* A Null-terminated ASCII string array that contains one or more supported language codes. This is the list of language codes that this protocol supports. The number of languages supported by a driver is up to the driver writer.

*SupportedLanguages* is specified in RFC 4646 format. See [Appendix M](#) for the format of language codes and language code arrays.

## Description

The **EFI\_COMPONENT\_NAME2\_PROTOCOL** is used retrieve a driver's user readable name and the names of all the controllers that a driver is managing from the driver's point of view. Each of these names is returned as a Null-terminated Unicode string. The caller is required to specify the language in which the Unicode string is returned, and this language must be present in the list of languages that this protocol supports specified by *SupportedLanguages*.

## EFI\_COMPONENT\_NAME2\_PROTOCOL.GetDriverName()

### Summary

Retrieves a Unicode string that is the user readable name of the driver.

### Prototype

```
typedef
EFI_STATUS
(EFI_API *EFI_COMPONENT_NAME_GET_DRIVER_NAME) (
    IN EFI_COMPONENT_NAME2_PROTOCOL *This,
    IN CHAR8 *Language,
    OUT CHAR16 **DriverName
);
```

### Parameters

*This* A pointer to the **EFI\_COMPONENT\_NAME2\_PROTOCOL** instance.

*Language* A pointer to a Null-terminated ASCII string array indicating the language. This is the language of the driver name that the caller is requesting, and it must match one of the languages specified in *SupportedLanguages*. The number of languages supported by a driver is up to the driver writer. *Language* is specified in RFC 4646 language code format. See [Appendix M](#) for the format of language codes.

*DriverName* A pointer to the Unicode string to return. This Unicode string is the name of the driver specified by *This* in the language specified by *Language*.

## Description

This function retrieves the user readable name of a driver in the form of a Unicode string. If the driver specified by *This* has a user readable name in the language specified by *Language*, then a pointer to the driver name is returned in *DriverName*, and **EFI\_SUCCESS** is returned. If the driver specified by *This* does not support the language specified by *Language*, then **EFI\_UNSUPPORTED** is returned.

## Status Codes Returned

EFI_SUCCESS	The Unicode string for the user readable name in the language specified by <i>Language</i> for the driver specified by <i>This</i> was returned in <i>DriverName</i> .
EFI_INVALID_PARAMETER	<i>Language</i> is <b>NULL</b> .
EFI_INVALID_PARAMETER	<i>DriverName</i> is <b>NULL</b> .
EFI_UNSUPPORTED	The driver specified by <i>This</i> does not support the language specified by <i>Language</i> .

## EFI\_COMPONENT\_NAME2\_PROTOCOL.GetControllerName()

### Summary

Retrieves a Unicode string that is the user readable name of the controller that is being managed by a driver.

### Prototype

```
typedef
EFI_STATUS
(EFI_API *EFI_COMPONENT_NAME_GET_CONTROLLER_NAME) (
    IN EFI_COMPONENT_NAME2_PROTOCOL    *This,
    IN EFI_HANDLE                      ControllerHandle,
    IN EFI_HANDLE                      ChildHandle    OPTIONAL,
    IN CHAR8                           *Language,
    OUT CHAR16                          **ControllerName
);
```

### Parameters

*This* A pointer to the EFI\_COMPONENT\_NAME2\_PROTOCOL instance.

*ControllerHandle* The handle of a controller that the driver specified by *This* is managing. This handle specifies the controller whose name is to be returned.

*ChildHandle* The handle of the child controller to retrieve the name of. This is an optional parameter that may be **NULL**. It will be **NULL** for device drivers. It will also be **NULL** for bus drivers that attempt to retrieve the name of the bus controller. It will not be **NULL** for a bus driver that attempts to retrieve the name of a child controller.

*Language* A pointer to a Null-terminated ASCII string array indicating the language. This is the language of the controller name that the caller is requesting, and it must match one of the languages specified in SupportedLanguages. The number of languages supported by a driver is up to the driver writer. *Language* is specified in RFC 4646 language code format. See [Appendix M](#) for the format of language codes.

*ControllerName* A pointer to the Unicode string to return. This Unicode string is the name of the controller specified by *ControllerHandle* and *ChildHandle* in the language specified by *Language* from the point of view of the driver specified by *This*.

### Description

This function retrieves the user readable name of the controller specified by *ControllerHandle* and *ChildHandle* in the form of a Unicode string. If the driver specified by *This* has a user readable name in the language specified by *Language*, then a pointer to the controller name is returned in *ControllerName*, and **EFI\_SUCCESS** is returned.

If the driver specified by *This* is not currently managing the controller specified by *ControllerHandle* and *ChildHandle*, then **EFI\_UNSUPPORTED** is returned.

If the driver specified by *This* does not support the language specified by *Language*, then **EFI\_UNSUPPORTED** is returned.

### Status Codes Returned

EFI_SUCCESS	The Unicode string for the user readable name specified by <i>This</i> , <i>ControllerHandle</i> , <i>ChildHandle</i> , and <i>Language</i> was returned in <i>ControllerName</i> .
EFI_INVALID_PARAMETER	<i>ControllerHandle</i> is not a valid <b>EFI_HANDLE</b> .

## UEFI Specification 2.0 Errata

EFI_INVALID_PARAMETER	The driver specified by <i>This</i> is not a device driver, and <i>ChildHandle</i> is not <b>NULL</b> , and <i>ChildHandle</i> is not a valid <b>EFI_HANDLE</b> .
EFI_INVALID_PARAMETER	<i>Language</i> is <b>NULL</b> .
EFI_INVALID_PARAMETER	<i>ControllerName</i> is <b>NULL</b> .
EFI_UNSUPPORTED	The driver specified by <i>This</i> is a device driver and <i>ChildHandle</i> is not <b>NULL</b> .
EFI_UNSUPPORTED	The driver specified by <i>This</i> is not currently managing the controller specified by <i>ControllerHandle</i> and <i>ChildHandle</i> .
EFI_UNSUPPORTED	The driver specified by <i>This</i> does not support the language specified by <i>Language</i> .

### 51) Page 358, Section 10.7.

Change the Description to read as follows:

The **EFI\_SERVICE\_BINDING\_PROTOCOL** provides member functions to create and destroy child handles. A driver is responsible for adding protocols to the child handle in **CreateChild()** and removing protocols in **DestroyChild()**. It is also required that the **CreateChild ()** function opens the parent protocol **BY\_CHILD\_CONTROLLER** to establish parent-child relationship, and closes the protocol in **DestoryChild ()**. The pseudo code for **CreateChild()** and **DestoryChild ()** is provided to specify the required behavior, not the required implementation. Each consumer of a software protocol is responsible for calling **CreateChild()** when it requires the protocol and calling **DestroyChild()** when it is finished with that protocol.

### 52) Page 415, Section 11.7.1.

The **EFI\_GRAPHICS\_OUTPUT\_PROTOCOL\_MODE\_INFORMATION** structure has a member which has one too many "\*"s in it. This is an unnecessary level of indirection for the member. The structure code of **EFI\_GRAPHICS\_OUTPUT\_PROTOCOL**, Related Definitions on page 415 should read as follows:

```
typedef struct {
    UINT32                MaxMode ;
    UINT32                Mode ;
    EFI_GRAPHICS_OUTPUT_MODE_INFORMATION *Info ;
    UINTN                 SizeOfInfo ;
    EFI_PHYSICAL_ADDRESS  FrameBufferBase ;
    UINTN                 FrameBufferSize ;
}
```

## UEFI Specification 2.0 Errata

```
} EFI_GRAPHICS_OUTPUT_PROTOCOL_MODE;
```

### 53) Page 417, Section 11.7.1.

The EFI\_GRAPHICS\_OUTPUT\_PROTOCOL\_QUERY\_MODE function has a function parameters which has too few "\*"s in it. This makes the function unimplementable as currently defined since it is intended as a callee allocated field. The EFI\_GRAPHICS\_OUTPUT\_PROTOCOL.QueryMode() Prototype on page 417 should read as follows:

### Prototype

```
typedef
EFI_STATUS
(EFIAPI *EFI_GRAPHICS_OUTPUT_PROTOCOL_QUERY_MODE) (
    IN EFI_GRAPHICS_OUTPUT_PROTOCOL          *This,
    IN UINT32                                ModeNumber,
    OUT UINTN                                *SizeOfInfo
    OUT EFI_GRAPHICS_OUTPUT_MODE_INFORMATION **Info
);
```

### 54) Page 424, Section 11.7.1.

The EFI\_EDID\_DISCOVERED\_PROTOCOL has a field which needs to be constructed with a pointer since it is intended to be a "pointer to an array of bytes that contains the EDID information". The EFI\_EDID\_DISCOVERED\_PROTOCOL, Protocol Interface Structure should read as follows:

### Protocol Interface Structure

```
typedef struct {
    UINT32    SizeOfEdid;
    UINT8     *Edid;
} EFI_EDID_DISCOVERED_PROTOCOL;
```

### 55) Page 424, and page 425;EFI\_EDID\_DISCOVERED\_PROTOCOL, , EFI\_EDID\_ACTIVE\_PROTOCOL, repectively,. The last sentence of the Edid parameter should read as follows:

EDID information is defined in the E-EDID EEPROM specification published by VESA ([www.vesa.org](http://www.vesa.org)).

### 56) Page 430, Section 11.8. One statement is a vestige from its previous UGA inheritance and should not necessarily be a requirement today. Strike the following statement from the specification.:

A plug in graphics device that contains a ROM must have an EBC version of the EFI driver that produces the **EFI\_GRAPHICS\_OUTPUT\_PROTOCOL**.



## UEFI Specification 2.0 Errata

- 57) Page 434, EFI\_SIMPLE\_FILE\_SYSTEM\_PROTOCOL.OpenVolume(), Prototype. Replace the first parameter line (fourth line) with the following:

```
IN      EFI_SIMPLE_FILE_SYSTEM_PROTOCOL  *This
```

- 58) Page 492, Section 12.8, EFI\_UNICODE\_COLLATION\_PROTOCOL. Update the EFI\_UNICODE\_COLLATION\_PROTOCOL\_GUID with the following:

```
#define EFI_UNICODE_COLLATION_PROTOCOL2_GUID \
{ 0xa4c751fc, 0x23ae, 0x4c3e, 0x92, 0xe9, 0x49, 0x64, 0xcf, 0x63, 0xf3, 0x49
```

- 59) Page 619, Section 14.5.5, Description.

Remove a reference to a return code that isn't valid for this particular function. The second to the last paragraph on the page should read as follows:

If **EFI\_SUCCESS**, **EFI\_BAD\_BUFFER\_SIZE**, **EFI\_DEVICE\_ERROR**, or **EFI\_TIMEOUT** is returned, then the caller must examine the status fields in *Packet* in the following precedence order: *HostAdapterStatus* followed by *TargetStatus* followed by *SenseDataLength*, followed by *SenseData*.

- 60) Page 619, Section 14.5.5.

Fix references to status codes that were inconsistent within the SCSI I/O ExecuteScsiCommand API. **EFI\_SCSI\_IO\_PROTOCOL.ExecuteScsiCommand()** paragraphs second and fourth from the bottom should be changed to read as follows:

If the data buffer described by *DataBuffer* and *TransferLength* is too big to be transferred in a single command, then **EFI\_BAD\_BUFFER\_SIZE** is returned. The number of bytes actually transferred is returned in *TransferLength*.

...

If **EFI\_SUCCESS**, **EFI\_BAD\_BUFFER\_SIZE**, **EFI\_DEVICE\_ERROR**, or **EFI\_TIMEOUT** is returned, then the caller must examine the status fields in *Packet* in the following precedence order: *HostAdapterStatus* followed by *TargetStatus* followed by *SenseDataLength*, followed by *SenseData*. If non-blocking I/O is being used, then the status fields in *Packet* will not be valid until the *Event* associated with *Packet* is signaled.

- 61) Page 620, Section 14.5.5. Further correction to inconsistent status codes. Append to the end of Status Codes Returned, EFI\_BAD\_BUFFER\_SIZE fields as follows:

## UEFI Specification 2.0 Errata

EFI_BAD_BUFFER_SIZE	The SCSI Request Packet was not executed. For read and bi-directional commands, the number of bytes that could be transferred is returned in <i>InTransferLength</i> . For write and bi-directional commands, the number of bytes that could be transferred is returned in <i>OutTransferLength</i> . See <i>HostAdapterStatus</i> and <i>TargetStatus</i> in that order for additional status information.
---------------------	---

- 62) Page 628, Section 14.8, EFI\_EXT\_SCSI\_PASS\_THRU\_PROTOCOL. Update the EFI\_EXT\_SCSI\_PASS\_THRU\_PROTOCOL\_GUID with the following:

```
#define EFI_EXT_SCSI_PASS_THRU_PROTOCOL_GUID \
{0x143b7632, 0xb81b, 0x4cb7, 0xab, 0xd3, 0xb6, 0x25, 0xa5, 0xb9, 0xbf, 0xfe}
```

- 63) Pages 633 and 636 Section 14.8.

In function `EFI_EXT_SCSI_PASS_THRU_PROTOCOL.PassThru()`, in the Related Definitions for `EFI_EXT_SCSI_PASS_THRU_SCSI_REQUEST_PACKET`, the definitions for parameters *InDataBuffer*, *OutDataBuffer*, and *SenseBuffer* should change to read as follows:

*InDataBuffer*

A pointer to the data buffer to transfer between the SCSI controller and the SCSI device for read and bidirectional commands. For all write and non data commands where *InTransferLength* is 0, this field is optional and may be **NULL**. If this field is not **NULL**, then it must be aligned on the boundary specified by the *IoAlign* field in the `EFI_EXT_SCSI_PASS_THRU_MODE` structure.

*OutDataBuffer*

A pointer to the data buffer to transfer between the SCSI controller and the SCSI device for write or bidirectional commands. For all read and non data commands where *OutTransferLength* is 0, this field is optional and may be **NULL**. If this field is not **NULL**, then it must be aligned on the boundary specified by the *IoAlign* field in the `EFI_EXT_SCSI_PASS_THRU_MODE` structure.

*SenseData*

A pointer to the sense data that was generated by the execution of the SCSI Request Packet. If *SenseDataLength* is 0, then this field is optional and may be **NULL**. It is strongly recommended that a sense data buffer of at least 252 bytes be provided to guarantee the entire sense data buffer generated from the execution of the SCSI Request Packet can be returned. If this field is not **NULL**, then it must be aligned to the boundary specified in the *IoAlign* field in the `EFI_EXT_SCSI_PASS_THRU_MODE` structure.

Also, the following notes are added at the end of the description for

`EFI_EXT_SCSI_PASS_THRU_SCSI_REQUEST_PACKET`:

**Note:** : Some examples of SCSI read commands are *READ*, *INQUIRY*, and *MODE\_SENSE*.

## UEFI Specification 2.0 Errata

**Note:** Some examples of SCSI write commands are *WRITE* and *MODE\_SELECT*.

**Note:** An example of a SCSI non data command is *TEST\_UNIT\_READY*.

**64)** Pages 638, 639, Section 14.8,

Change `EFI_EXT_SCSI_PASS_THRU_PROTOCOL.GetNextTargetLun()` section to read as follows:

### Summary

Used to retrieve the list of legal Target IDs and LUNs for SCSI devices on a SCSI channel. These can either be the list SCSI devices that are actually present on the SCSI channel, or the list of legal Target Ids and LUNs for the SCSI channel. Regardless, the caller of this function must probe the Target ID and LUN returned to see if a SCSI device is actually present at that location on the SCSI channel.

### Prototype

```
typedef
EFI_STATUS
(EFIAPI *EFI_EXT_SCSI_PASS_THRU_GET_NEXT_TARGET_LUN) (
    IN EFI_EXT_SCSI_PASS_THRU_PROTOCOL *This,
    IN OUT UINT8 **Target,
    IN OUT UINT64 *Lun
);
```

### Parameters

- This* A pointer to the `EFI_EXT_SCSI_PASS_THRU_PROTOCOL` instance. Type `EFI_EXT_SCSI_PASS_THRU_PROTOCOL` is defined in Section 14.7.
- Target* On input, a pointer to a legal Target ID (an array of size `TARGET_MAX_BYTES`) for a SCSI device on the SCSI channel. On output, a pointer to the next legal Target ID (an array of `TARGET_MAX_BYTES`) of a SCSI device on a SCSI channel. An input value of `0xFF`'s (all bytes in the array are `0xFF`) in the Target array retrieves the first legal Target ID for a SCSI device ID on a SCSI channel.
- Lun* On input, a pointer to the LUN of a SCSI device present on the SCSI channel. On output, a pointer to the LUN of the next SCSI device present on a SCSI channel.

### Description

The `EFI_EXT_SCSI_PASS_THRU_PROTOCOL.GetNextTargetLun()` function retrieves A list of legal Target ID and LUN for a SCSI channel. If on input a *Target* is

## UEFI Specification 2.0 Errata

specified by all **0xFF** in the Target array, then the first legal Target ID and LUN for a SCSI device on a SCSI channel is returned in *Target* and *Lun* and **EFI\_SUCCESS** is returned.

If *Target* and *Lun* is a Target ID and LUN value that was returned on a previous call to **GetNextTargetLun()**, then the next legal Target ID and LUN for a SCSI device on the SCSI channel is returned in *Target* and *Lun*, and **EFI\_SUCCESS** is returned.

If *Target array* is not all **0xFF's** and *Target* and *Lun* were not returned on a previous call to **GetNextTargetLun()**, then **EFI\_INVALID\_PARAMETER** is returned.

If *Target* and *Lun* are the Target ID and LUN of the last SCSI device on the SCSI channel, then **EFI\_NOT\_FOUND** is returned.

## Status Codes Returned

EFI_SUCCESS	The Target ID and LUN of the next SCSI device on the SCSI channel was returned in <i>Target</i> and <i>Lun</i> .
EFI_NOT_FOUND	There are no more SCSI devices on this SCSI channel.
EFI_INVALID_PARAMETER	<i>Target array</i> is not all <b>0xFF's</b> , and <i>Target</i> and <i>Lun</i> were not returned on a previous call to <b>GetNextTargetLun()</b> .

### 65) Page 650, Section 15.2,.

The protocol GUID value should be 16 bytes long instead of 15 bytes long for iSCSI Initiator Name Protocol. The correct iSCSI Initiator Name Protocol GUID should read as follows:

```
#define EFI_ISCSI_INITIATOR_NAME_PROTOCOL_GUID
{ \
    0x59324945, 0xec44, 0x4c0d, 0xb1, 0xcd, 0x9d, 0xb1, 0x39, 0xdf,
    0x7, 0xc \
}
```

### 66) Pages 678 and 681 Section 16.1, and.

Add the status code (given below the functions) to the Status Codes Returned tables for the following functions in section 16.1:

```
EFI_USB2_HC_PROTOCOL.IsochronousTransfer()
EFI_USB2_HC_PROTOCOL.AsyncIsochronousTransfer()
```

EFI_UNSUPPORTED	The implementation doesn't support Isochronous transfer function
-----------------	--

### 67) Page 685, EFI\_USB2\_HC\_PROTOCOL..GetRootHubPortStatus(), Description, second paragraph should read as follows:

**EFI\_USB\_PORT\_STATUS** describes the port status of a specified USB port based on the reporting capabilities of that particular port's host controller. This data structure is designed to be common to both a USB root hub port and a USB hub port.

## UEFI Specification 2.0 Errata

- 68) Page 684, EFI\_USB2\_HC.GetRootHubPortStatus(), Table 106. Replace the last row with two rows reading as follows:

11	Release port ownership to companion host controller (USB_PORT_STAT_OWNER) 0 = Port ownership has not been transferred 1 = Port ownership has been transferred.
12-15	Reserved These bits return 0 when read.

- 69) Pages 686, Section 16.1,

In the function EFI\_USB2\_HC\_PROTOCOL.SetRootHubPortFeature(), in the Related Definitions, add the following value to enumerated type **EFI\_USB\_PORT\_FEATURE**:

**EfiUsbPortOwner** = 13,

- 70) Page 687, Section 16.1, Table 108. Following the definition of **EFI\_USB\_PORT\_FEATURE**, insert the table row (given below) following the row for EfiUsbPortPower:

EfiUsbPortOwner	N/A	Releases the port ownership of this port to companion host controller.
-----------------	-----	--

- 71) Page 687, EFI\_USB2\_HC\_PROTOCOL.SetRootHubPortFeature(), Description, second paragraph should read as follows:

The number of root hub ports attached to the USB host controller can be determined with the function **GetRootHubPortStatus()**. If *PortNumber* is greater than or equal to the number of ports returned by **GetRootHubPortNumber()**, then **EFI\_INVALID\_PARAMETER** is returned. If *PortFeature* is not **EfiUsbPortOwner**, **EfiUsbPortEnable**, **EfiUsbPortSuspend**, **EfiUsbPortPower**, **EfiUsbPortConnectChange**, **EfiUsbPortResetChange**, **EfiUsbPortEnableChange**, **EfiUsbPortSuspendChange**, or **EfiUsbPortOverCurrentChange**, then **EFI\_INVALID\_PARAMETER** is returned.

- 72) Page 687, EFI\_USB2\_HC\_PROTOCOL.SetRootHubPortFeature(). Add the following row to Status Codes Returned:

EFI_UNSUPPORTED	<i>PortFeature</i> is invalid for the given host controller.
-----------------	--

- 73) Section 16.2.4, pages 708 and 710.

Add the following status code (given below the functions) to the Status Codes Returned tables for the following functions:

EFI\_USB\_IO\_PROTOCOL.UsbIsochronousTransfer()

EFI\_USB\_IO\_PROTOCOL.UsbAsyncIsochronousTransfer()

EFI_UNSUPPORTED	The implementation doesn't support Isochronous transfer function
-----------------	--

## UEFI Specification 2.0 Errata

- 74) Page 873, Section 20.2, `EFI_NETWORK_INTERFACE_IDENTIFIER_PROTOCOL`. Update the `EFI_NETWORK_INTERFACE_IDENTIFIER_PROTOCOL_GUID` with the following:

```
#define EFI_NETWORK_INTERFACE_IDENTIFIER_PROTOCOL_GUID_31 \
{ \
  0x1ACED566, 0x76ED, 0x4218, 0xBC, 0x81, 0x76, 0x7F, 0x1F, 0x97, 0x7A, 0x89
\
}
```

- 75) Page 1030, Chapter 23.1.

Add an instance handle to the `EFI_TCP4_SERVICE_POINT` of `EFI_TCP4_VARIABLE_DATA`.

```
/******
// EFI_TCP4_VARIABLE_DATA
/******
typedef struct {
    EFI_HANDLE          DriverHandle;

    UINTN               ServiceCount;

    EFI_TCP4_SERVICE_POINT Services[1];
} EFI_TCP4_VARIABLE_DATA;
```

*DriverHandle*            The handle of the driver that creates this entry.

*ServiceCount*           The number of address/port pairs following this data structure.

*Services*                List of address/port pairs that are currently in use. Type `EFI_TCP4_SERVICE_POINT` is defined below.

```
/******
// EFI_TCP4_SERVICE_POINT
/******
typedef struct{
    EFI_HANDLE          InstanceHandle;

    EFI_IPv4_ADDRESS    LocalAddress;

    UINT16              LocalPort;

    EFI_IPv4_ADDRESS    RemoteAddress;

    UINT16              RemotePort;
} EFI_TCP4_SERVICE_POINT;
```

## UEFI Specification 2.0 Errata

<i>InstanceHandle</i>	The EFI TCPv4 Protocol instance handle that is using this service port.
<i>LocalAddress</i>	The local IPv4 address to which this TCPv4 protocol instance is bound.
<i>LocalPort</i>	The local port number in host byte order.
<i>RemoteAddress</i>	The remote IPv4 address. It may be 0.0.0.0 if it isn't connected to any remote host.
<i>RemotePort</i>	The remote port number in host byte order. It may be zero if it isn't connected to any remote host

### 76) Page 1030 and following (listed below)Section 23.1,.

Some data structure members in **EFI\_TCP4\_PROTOCOL** are defined as **UINTN** such as the **FragmentLength** in the **EFI\_TCP4\_FRAGMENT\_DATA**.. Change all these types to **UINT32**.

On Page 1030:

```
//*****  
// EFI_TCP4_VARIABLE_DATA  
//*****  
typedef struct {  
    EFI_HANDLE          DriverHandle;  
    UINT32              ServiceCount;  
    EFI_TCP4_SERVICE_POINT Services[1];  
} EFI_TCP4_VARIABLE_DATA;
```

On Page 1036:

```
typedef struct {  
    UINT32          ReceiveBufferSize;  
    UINT32          SendBufferSize;  
    UINT32          MaxSynBackLog;  
    UINT32          ConnectionTimeout;  
    UINT32          DataRetries;  
    UINT32          FinTimeout;  
    UINT32          TimeWaitTimeout;  
    UINT32          KeepAliveProbes;  
    UINT32          KeepAliveTime;
```

## UEFI Specification 2.0 Errata

```
    UINT32          KeepAliveInterval;

    BOOLEAN        EnableNagle;

    BOOLEAN        EnableTimeStamp;

    BOOLEAN        EnableWindowScaling;

    BOOLEAN        EnableSelectiveAck;

    BOOLEAN        EnablePathMtuDiscovery;

} EFI_TCP4_OPTION;
```

On Page 1051 Note: The problematic **IN OUT** modifier for the **DataLength** is also removed here:

```
/******

// EFI_TCP4_RECEIVE_DATA

/******

typedef struct {

    BOOLEAN          UrgentFlag;

    UINT32           DataLength;

    UINT32           FragmentCount;

    EFI_TCP4_FRAGMENT_DATA FragmentTable[1];

} EFI_TCP4_RECEIVE_DATA;

.....

/******

// EFI_TCP4_FRAGMENT_DATA

/******

typedef struct {

    UINT32   FragmentLength;

    VOID     *FragmentBuffer;

} EFI_TCP4_FRAGMENT_DATA;
```

On Page 1052:

```
/******

// EFI_TCP4_TRANSMIT_DATA
```



## UEFI Specification 2.0 Errata

```

//*****
typedef struct {
    BOOLEAN          Push;
    BOOLEAN          Urgent;
    UINT32           DataLength;
    UINT32           FragmentCount;
    EFI_TCP4_FRAGMENT_DATA  FragmentTable[1];
} EFI_TCP4_TRANSMIT_DATA;

```

### 77) Page 1156, Section 25.2.4,.

Make the *bCertificate* [...] a comment because in the GUID'd WIN\_CERT; the latter structure has an additional **ANYSIZE\_ARRAY**. Changes to **WIN\_CERTIFICATE** as follows:

```

typedef struct _WIN_CERTIFICATE {
    UINT32          dwLength;
    UINT16          wRevision;
    UINT16          wCertificateType;
    // UINT8          bCertificate[ANYSIZE_ARRAY];
} WIN_CERTIFICATE;

```

### 78) Page 1157, Section 25.2.4.

The HashType enumeration in the certificate structure was never set. This changes it to an EFI\_GUID to match the rest of Chapter 25 content.

Change To Section 25.2.3 (Replace in **WIN\_CERTIFICATE\_EFI\_PKCS1\_15**, starting with Prototype)

## Prototype

```

typedef struct _WIN_CERTIFICATE_EFI_PKCS1_15 {
    WIN_CERTIFICATE  Hdr;
    EFI_GUID         HashAlgorithm;
    // UINT8         Signature[ANYSIZE_ARRAY];
} WIN_CERTIFICATE_EFI_PKCS1_15;

```

### *Hdr*

This is the standard **WIN\_CERTIFICATE** header, where *wCertificateType* is set to **WIN\_CERT\_TYPE\_UEFI\_PKCS1\_15**.

### *HashAlgorithm*

This is the hashing algorithm which was performed on the UEFI executable when creating the digital signature. It is one of the enumerated pre-defined GUID values defined in section 25.4.1 (see **EFI\_HASH\_ALGORITHM\_x**).

*Signature*

This is the actual digital signature. The size of the signature is the same size as the key (1024-bit key is 128 bytes) and can be determined by subtracting the length of the other parts of this header from the total length of the certificate as found in *Hdr.dwLength*.

## Information

The **WIN\_CERTIFICATE\_UEFI\_PKCS1\_15** structure is derived from **WIN\_CERTIFICATE** and encapsulate the information needed to implement the RSASSA-PKCS1-v1\_5 digital signature algorithm as specified in RFC2437, sections 8-9.

### 79) Page 1061, Section 23.2

Removed from the **EFI\_IP4\_VARIABLE\_DATA**: **ProtocolGuid**.

Page 1062: Added an instance handle to the **EFI\_IP4\_ADDRESS\_PAIR**.

```

//*****
// EFI_IP4_VARIABLE_DATA
//*****
typedef struct {
    EFI_HANDLE          DriverHandle;

    UINT32              AddressCount;

    EFI_IP4_ADDRESS_PAIR AddressPairs[1];
} EFI_IP4_VARIABLE_DATA;

```

<i>DriverHandle</i>	The handle of the driver that creates this entry.
<i>AddressCount</i>	The number of IPv4 address and subnet mask pairs that follow this data structure.
<i>AddressPairs</i>	List of IPv4 address and subnet mask pairs that are currently in use. Type <b>EFI_IP4_ADDRESS_PAIR</b> is defined below.

```

//*****
// EFI_IP4_ADDRESS_PAIR
//*****
typedef struct{
    EFI_HANDLE          InstanceHandle;

    EFI_IPv4_ADDRESS    Ip4Address;

    EFI_IPv4_ADDRESS    SubnetMask;
}

```

## UEFI Specification 2.0 Errata

```
} EFI_IP4_ADDRESS_PAIR;
```

*InstanceHandle* The EFI IPv4 Protocol instance handle that is using this address/subnetmask pair.

*Ip4Address* IPv4 address in network byte order.

### 80) Page 1167, Appendix A.

Remove ambiguity about GUIDs so that Appendix A reads as follows:

All EFI GUIDs (Globally Unique Identifiers) have the format described in RFC 4122 and comply with the referenced algorithms for generating GUIDs. It should also be noted that TimeLow, TimeMid, TimeHighAndVersion fields in the EFI are encoded as little endian. The following table defines the format of an EFI GUID (128 bits).

**Table 168. EFI GUID Format**

Mnemonic	Byte Offset	Byte Length	Description
TimeLow	0	4	The low field of the timestamp.
TimeMid	4	2	The middle field of the timestamp.
TimeHighAndVersion	6	2	The high field of the timestamp multiplexed with the version number.
ClockSeqHighAndReserved	8	1	The high field of the clock sequence multiplexed with the variant.
ClockSeqLow	9	1	The low field of the clock sequence.
Node	10	6	The spatially unique node identifier. This can be based on any IEEE 802 address obtained from a network card. If no network card exists in the system, a cryptographic-quality random number can be used.

This appendix for GUID defines a 60-bit timestamp format that is used to generate the GUID. All EFI time information is stored in 64-bit structures that contain the following format: The timestamp is a 60-bit value that is represented by Coordinated Universal Time (UTC) as a count of 100-nanosecond intervals since 00:00:00.00, 15 October 1582 (the date of Gregorian reform to the Christian calendar). This time value will not roll over until the year 3400 AD. It is assumed that a future version of the EFI specification can deal with the year-3400 issue by extending this format if necessary.

### 81) Appendix D, page 1181, Table 174.

Supported 32-bit Range, 64-bit Architecture Range and Description values changed for all four rows as follows:

Supported 32-bit Range	Supported 64-bit Architecture Ranges	Description
0x00000000-0x1fffffff	0x0000000000000000-0x1fffffffffffffff	Success and warning codes reserved for use by UEFI main specification.
0x20000000-0x3fffffff	0x2000000000000000-0x3fffffffffffffff	Success and warning codes reserved for use by UEFI main specification.

## UEFI Specification 2.0 Errata

0x80000000- 0x9fffffff	0x8000000000000000- 0x9fffffffffffffff	Error codes reserved for use by UEFI main spec.
0xa0000000- 0xbfffffff	0xa000000000000000- 0xbfffffffffffffff	Error codes reserved for use by Platform Initialization Specification.

### 82) Page 1215 Section E.3.4.12.

Add a type definition "PXE\_MEDIA\_PROTOCOL" to support PXE in UEFI specification to become Section E.3.4.13, containing the following text:

#### E.3.4.13 PXE\_MEDIA\_PROTOCOL

Protocol type. This will be copied into the media header without doing byte swapping. Protocol type numbers can be obtained from the assigned numbers in RFC 1700.

```
typedef UINT16      PXE_MEDIA_PROTOCOL;
```

### 83) PAGE 1359, Table 184. correct the typo "EFI 11.0" to read "EFI 1.10".